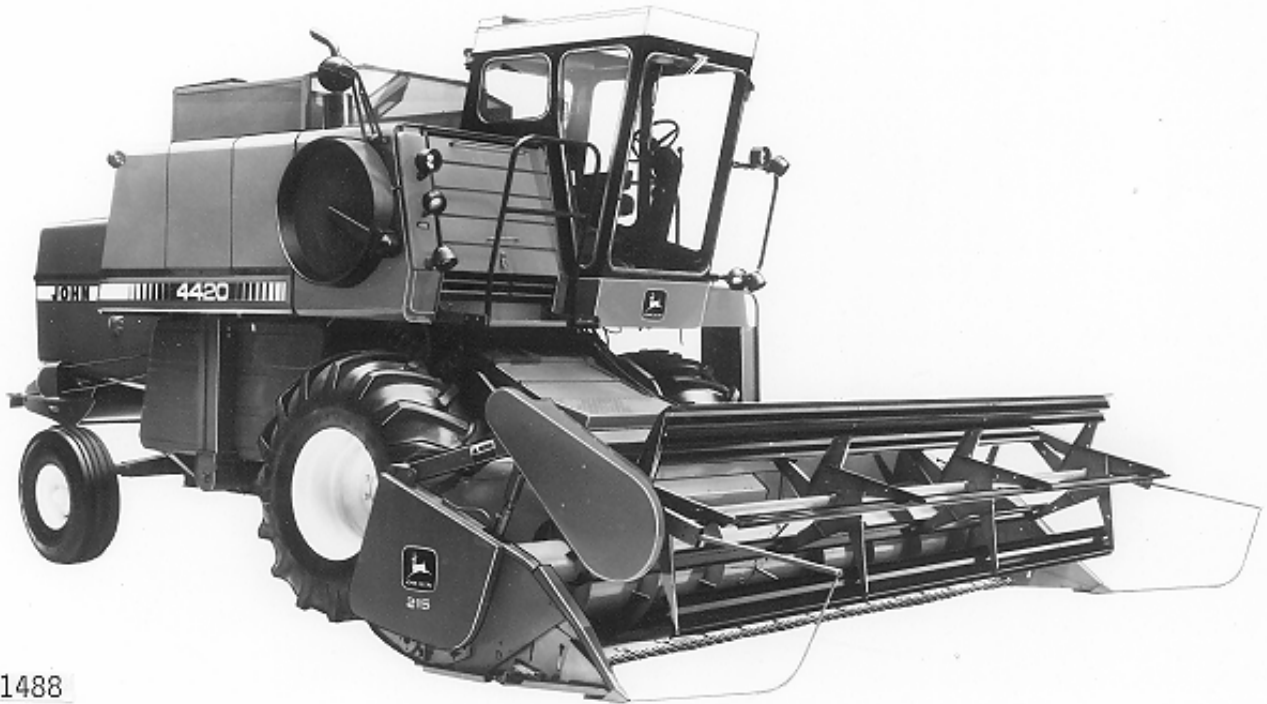


HP1488

-UN-01JAN94



HP1488

*JOHN DEERE 4420 COMBINE WITH 215 PLATFORM*

*(SPECIFICATIONS AND DESIGN SUBJECT TO CHANGE WITHOUT NOTICE)*

## NOTE

FOR 200 SERIES PLATFORM PARTS INFORMATION, REFER TO JOHN DEERE 200 SERIES PLATFORM PARTS CATALOG - PC-1558.

FOR 40 SERIES CORN HEAD PARTS INFORMATION, REFER TO JOHN DEERE 40 SERIES CORN HEAD PARTS CATALOG - PC-1223.

FOR 50 SERIES ROW-CROP HEAD PARTS INFORMATION, REFER TO JOHN DEERE 50 SERIES ROW-CROP HEAD PARTS CATALOG - PC-1549.

FOR 50A SERIES ROW-CROP HEAD PARTS INFORMATION, REFER TO JOHN DEERE 50A SERIES ROW-CROP HEAD PARTS CATALOG - PC-1747.

FOR THREE-ROLLER BELT PICKUP PARTS INFORMATION, REFER TO JOHN DEERE THREE-ROLLER BELT PICKUP PARTS CATALOG - PC-1189.

## IMPORTANT

THIS PARTS CATALOG CONTAINS PARTS INFORMATION FOR THE 4420 COMBINE. MACHINE VINTAGE IS DETERMINED BY THE COMBINE SERIAL NUMBER OR THE PRODUCT IDENTIFICATION NUMBER (PIN). IT IS IMPORTANT THAT THE CORRECT NUMBERS BE USED WHEN ORDERING PARTS.

## SERIAL NUMBER AND PRODUCT IDENTIFICATION NUMBER (PIN) PLATES

USE ALL NUMBERS, LETTERS AND SPACES SHOWN ON THE SERIAL NUMBER PLATE OR THE PRODUCT IDENTIFICATION NUMBER PLATE IN WARRANTY CORRESPONDENCE.

COMBINES ( -550000)

ON THESE COMBINES, THE SERIAL NUMBER PLATE IS LOCATED ON THE REAR LEFT-HAND UPRIGHT.

AN EXAMPLE OF THE SERIAL NUMBER ON THIS PLATE IS:

E4420550000H

E - EQUIPMENT  
4420 - COMBINE MODEL  
550000 - COMBINE SEPARATOR SERIAL NUMBER  
H - MANUFACTURING UNIT (HARVESTER WORKS)

COMBINES (550001- )

ON THESE COMBINES, THE PRODUCT IDENTIFICATION PLATE (PIN) IS LOCATED NEAR THE RIGHT-HAND SIDE OF THE TOOL BOX. AN EXAMPLE OF THE TWO-LINES ON THIS PIN PLATE IS:

H04420X550001  
COMBINE

(FIRST LINE)

H0 - MANUFACTURING UNIT (HARVESTER WORKS)  
4420 - MODEL IDENTIFIER  
X - CONFIGURATION CODE/MODEL IDENTIFIER SUFFIX  
550001 - SEQUENTIAL NUMBER USED IN SERIAL NO. COLUMN

(SECOND LINE)

COMBINE - TYPE OF PRODUCT

## ENGINE SERIAL NUMBER

THE ENGINE SERIAL NUMBER PLATE IS LOCATED ON THE RIGHT-HAND SIDE OF THE ENGINE BLOCK.

ENGINES ( -XXXXXX)

AN EXAMPLE OF THE ONE-LINE, FIFTEEN-DIGIT NUMBER ON THIS SERIAL NUMBER PLATE IS:

6329DH03XXXXXT

6 - NUMBER OF CYLINDERS  
329 - CUBIC INCH DISPLACEMENT  
D - FUEL TYPE  
H - MANUFACTURING UNIT OF MACHINE (HARVESTER WORKS)  
03 - ENGINE VERSION  
XXXXXX - ENGINE SERIAL NUMBER  
T - MANUFACTURING UNIT OF ENGINE (JOHN DEERE DUBUQUE WORKS)

ENGINES (XXXXXX- )

AN EXAMPLE OF THE TWO-LINE NUMBER ON THIS SERIAL NUMBER PLATE IS:

T06329DXXXXXX  
6329DH03

(FIRST LINE)

T0 - MANUFACTURING UNIT (JOHN DEERE DUBUQUE WORKS)  
6 - NUMBER OF CYLINDERS  
329 - CUBIC INCH DISPLACEMENT  
D - CONFIGURATION CODE/MODEL IDENTIFIER SUFFIX  
XXXXXX - SEQUENTIAL NUMBER USED IN SERIAL NO. COLUMN

(SECOND LINE)

6 - NUMBER OF CYLINDERS  
329 - CUBIC INCH DISPLACEMENT  
D - FUEL TYPE (NON-TURBOCHARGED DIESEL)  
H - MANUFACTURING UNIT OF MACHINE (HARVESTER WORKS)  
03 - ENGINE VERSION

## PARTS LISTING INFORMATION

SERIAL NUMBER OR PRODUCT IDENTIFICATION NUMBER (PIN) INFORMATION SHOWS ON WHICH MACHINES A PART MAY BE USED. FOR EXAMPLE:

- THE PART CAN BE USED ON ALL MACHINES.

-000000 THE PART CAN BE USED ON ALL MACHINES UP TO AND INCLUDING THE SERIAL NUMBER LISTED.

000000- THE PART CAN BE USED ON ALL MACHINES BEGINNING WITH THE SERIAL NUMBER LISTED.

000000-000000 THE PART CAN BE USED ON ALL MACHINES BETWEEN AND INCLUDING THE SERIAL NUMBERS LISTED.

WHEN XXXXXX'S ARE LISTED IN PLACE OF A SERIAL NUMBER, A SERIAL NUMBER WAS MADE, BUT THE EXACT SERIAL NUMBER WAS NOT AVAILABLE WHEN THE CATALOG WAS PRINTED.

## **DIRECTION ARROW**

ARROWS ARE USED WITH ILLUSTRATIONS TO INDICATE THE FRONT OF THE UNIT. "RIGHT-HAND" AND "LEFT-HAND" SIDES ARE DETERMINED BY FACING IN THE DIRECTION OF MACHINE FORWARD TRAVEL.

## **BOX-ENCLOSED ILLUSTRATIONS**

A KEY NUMBER, SHOWN IN THE PARTS LIST, IS ASSIGNED TO A BOX ENCLOSING ALL PARTS SOLD AS A SERVICE ASSEMBLY. A BOX NOT KEYED INCLUDES NON-CURRENT PARTS.

## **KITS**

KIT INFORMATION WILL BE FOUND IMMEDIATELY FOLLOWING THE STORY IN WHICH IT IS USED. THE ILLUSTRATION IS REPEATED WITH ONLY THE KIT PARTS CALLED OUT AND WITH ALL OTHER PARTS SHOWN IN PHANTOM FOR RELATIONSHIP.

## **JDM REMANUFACTURED COMPONENTS**

THE SERVICE PARTS LISTED IN THIS CATALOG ARE INTENDED FOR THE REPAIR OF ORIGINAL EQUIPMENT COMPONENTS. ALTHOUGH MOST SERVICE PARTS MAY BE USED TO REPAIR REMANUFACTURED COMPONENTS, THE REMANUFACTURED DESIGN MAY CHANGE PARTS SUFFICIENTLY SO THAT SERVICE PARTS ARE INADEQUATE OR NOT USABLE.

## **BOLT AND CAP SCREW STRENGTH IDENTIFICATION**

BOLTS AND CAP SCREWS REQUIRED TO HAVE HIGH-STRENGTH QUALITIES EQUIVALENT TO SAE GRADE 8 ARE IDENTIFIED THROUGHOUT THIS CATALOG BY THE DESCRIPTION HS SAE 8. ALL STANDARD BOLTS AND CAP SCREWS ARE SAE GRADE 5 OR LOWER.

## **COMPLETE GOODS LISTINGS**

COMPLETE GOODS ARE LISTED IN BOLD FACE TYPE. ORDER SEPARATELY. DO NOT INCLUDE ON REPLACEMENT PARTS ORDER.

## **SI UNITS OF MEASURE**

METRIC DIMENSIONS ARE GIVEN, WHERE APPLICABLE, THROUGHOUT THIS PARTS CATALOG.

## **TRADEMARKS**

THROUGHOUT THIS PARTS CATALOG, YOU WILL FIND THE FOLLOWING DEERE & COMPANY TRADEMARKS:

DIAL-A-MATIC™  
HARVESTRAK™

TORQ-GARD SUPREME®  
QUIK-TATCH™

## **CHANGE INDICATOR LINE**

CHANGES AFFECTING THE ORDERING OF PARTS ARE IDENTIFIED BY VERTICAL LINES MARKED IN THE LEFT-HAND MARGIN OF REVISED PARTS LISTING IMAGES. A LINE IS ALSO AT THE LEFT-HAND EDGE OF THE SAME PART NUMBER IN THE NUMERICAL INDEX TO SHOW THE LOCATION OF REVISED INFORMATION.

## SECTIONAL INDEX

|   | SECTION |
|---|---------|
| GENERAL INFORMATION . . . . .                                 | 10      |
| BASIC ENGINE . . . . .  | 20      |
| FUEL AND AIR . . . . .  | 30      |
| ELECTRICAL . . . . .  | 40      |
| POWER TRAIN . . . . .   | 50      |
| STEERING AND BRAKES . . . . .                                 | 60      |
| HYDRAULICS . . . . .  | 70      |
| SEPARATOR SHELL . . . . .                                     | 80      |
| OPERATOR'S STATION . . . . .                                  | 90      |
| HEADERS - REFER TO INDIVIDUAL HEADER PARTS CATALOGS . . . . . | 100     |
| FEEDER HOUSE . . . . .  | 110     |
| SEPARATOR . . . . .   | 120     |
| GRAIN TANK AND UNLOADING AUGER . . . . .                      | 130     |
| MAJOR DRIVES . . . . .  | 140     |
| HEADER HEIGHT CONTROL . . . . .                               | 160     |
| DECALS, BELTS AND CHAINS . . . . .                            | 170     |
| NUMERICAL INDEX . . . . .                                     | 180     |

## ALPHABETICAL INDEX

| GRID | A  | PAGE     | GRID     | PAGE  |          |
|------|--|----------|----------|---|----------|
| 1F3  | ACCUMULATOR PRESSURE GAUGE .....               | 40 - 10  | 1H18     | AXLE, FINAL DRIVE (HEAVY-DUTY) .....                  | 50 - 16  |
| 2C11 | ACCUMULATOR, NAMEPLATE .....                   | 70 - 45  | 1I24     | AXLE, REAR .....                                      | 60 - 18  |
| 2C11 | ACCUMULATOR,PRESS.CTL.VALVE AND MTG.BKT. ....  | 70 - 45  | 1I25     | AXLE, REAR .....                                      | 60 - 19  |
| 2K12 | ACTUATOR SWITCH AND MOUNTING .....             | 160 - 8  | 1H6      | AXLE, SPACERS .....                                   | 50 - 4   |
| 1I25 | ADJUSTABLE REAR AXLE .....                     | 60 - 19  | 1H5      | AXLE, WHEEL, DRIVE .....                              | 50 - 3   |
| 1D5  | AID, COLD WEATHER STARTING .....               | 30 - 9   | <b>B</b> |   |          |
| 1E15 | AIR CLEANER .....                              | 30 - 44  | 1H25     | BALL JOINT,RELATIVE GRD. SPD. INDICATOR .....         | 50 - 23  |
| 2E11 | AIR COND. COMPR. MOUNTING AND SUPPORTS.....    | 90 - 30  | 2H4      | BAR, CYLINDER SHEAR.....                              | 120 - 25 |
| 2E12 | AIR COND. COMPRESSOR MTG. & SUPTS. ....        | 90 - 31  | 2I6      | BAR, FINGER, CHAFFER FRAME .....                      | 120 - 54 |
| 2E13 | AIR COND. CONDENSER AND RECEIVER-DRIER .....   | 90 - 33  | 1F8      | BATTERY BOOT .....                                    | 40 - 15  |
| 2E13 | AIR CONDITIONER .....                          | 90 - 33  | 1F8      | BATTERY, BRACKETS AND CABLES .....                    | 40 - 15  |
| 2E14 | AIR CONDITIONER LINES .....                    | 90 - 34  | 1F7      | BATTERY, BRACKETS, CABLES, AND SHIELDS.....           | 40 - 14  |
| 2E14 | AIR CONDITIONER, LO PRESSURE SWITCH .....      | 90 - 34  | 1H17     | BEARING CAP AND FINAL DRIVE HOUSING .....             | 50 - 15  |
| 1F12 | AIR CONDITIONING WIRING ON ENGINE .....        | 40 - 20  | 1B12     | BEARING, MAIN.....                                    | 20 - 19  |
| 1F13 | AIR CONDITIONING WIRING ON ENGINE .....        | 40 - 21  | 1B13     | BEARING, MAIN.....                                    | 20 - 20  |
| 2E16 | AIR CONDITIONING, O-RING KIT .....             | 90 - 36  | 1H18     | BEARINGS, FINAL DRIVE (HEAVY-DUTY) .....              | 50 - 16  |
| 2I11 | AIR DUCTS, CLEANING FAN .....                  | 120 - 59 | 2G23     | BEATER AND TACHOMETER DRIVE .....                     | 120 - 20 |
| 2E4  | AIR INTAKE AT REAR OF OPERATOR'S CAB.....      | 90 - 23  | 2H1      | BEATER AND TACHOMETER DRIVE .....                     | 120 - 22 |
| 1B25 | AIR INTAKE MANIFOLD .....                      | 20 - 32  | 3B3      | BEATER DRIVE SHEAVES AND BELTS .....                  | 170 - 12 |
| 1E16 | AIR INTAKE TUBE .....                          | 30 - 45  | 3A25     | BELT AND SHEAVES, SECONDARY COUNTERSHAFT ..           | 170 - 9  |
| 2J6  | AIR INTAKE TUBE COVER.....                     | 130 - 4  | 1C17     | BELT TIGHTENER, RADIATOR FAN DRIVE .....              | 20 - 49  |
| 1E14 | AIR INTAKE TUBES.....                          | 30 - 43  | 1G5      | BELT, ALTERNATOR.....                                 | 40 - 38  |
| 1D20 | AIRTEX FUEL TRANSFER PUMP ASSEMBLY .....       | 30 - 24  | 3A21     | BELT, ENGINE R.H. SIDE.....                           | 170 - 3  |
| 1G5  | ALTERNATOR SHEAVE AND BELT .....               | 40 - 38  | 1C16     | BELT, RADIATOR FAN .....                              | 20 - 48  |
| 1G7  | ALTERNATOR SUPPORTS, FRONT AND REAR .....      | 40 - 41  | 3A22     | BELT, ROTARY SCREEN .....                             | 170 - 5  |
| 1G6  | ALTERNATOR, COMPLETE, 90 AMP .....             | 40 - 39  | 3B4      | BELT, SHOE GRAIN SUPPLY AUGERS DRIVE .....            | 170 - 13 |
| 1G1  | ALTERNATOR, 72 AMP.....                        | 40 - 34  | 3B2      | BELTS AND CHAINS, FEEDER HOUSE DRIVE .....            | 170 - 11 |
| 1G3  | ALTERNATOR, 90 AMP.....                        | 40 - 36  | 3B3      | BELTS AND SHEAVES, BEATER DRIVE .....                 | 170 - 12 |
| 2K15 | AMPLIFIER AND CIRCUIT BOX .....                | 160 - 11 | 3B10     | BELTS AND SHEAVES, LOADING AUGER DRIVE.....           | 170 - 21 |
| 1F23 | ANTENNA, RADIO .....                           | 40 - 32  | 2G23     | BELTS, BEATER AND TACHOMETER DRIVE .....              | 120 - 20 |
| 1G8  | ARMATURE ASSEMBLY, STARTER MOTOR .....         | 40 - 42  | 2H1      | BELTS, BEATER AND TACHOMETER DRIVE .....              | 120 - 22 |
| 1G11 | ARMATURE, STARTING MOTOR.....                  | 40 - 45  | 3B10     | BELTS, CLEAN GRAIN ELEVATOR .....                     | 170 - 21 |
| 2D21 | ARMRESTS .....                                 | 90 - 15  | 3A24     | BELTS, PRIMARY .....                                  | 170 - 7  |
| 2J12 | AUGER COUNTERSHAFT, UNLOADING .....            | 130 - 10 | 2H17     | BLADE, STRAW CHOPPER .....                            | 120 - 38 |
| 2J16 | AUGER DR.TIGHTENER,AUXILIARY UNLOADING.....    | 130 - 14 | 2H22     | BLADE, STRAW SPREADER .....                           | 120 - 43 |
| 2J10 | AUGER DRIVE CONTROL, UNLOADING.....            | 130 - 8  | 1F21     | BLADE, WINDSHIELD WIPER .....                         | 40 - 30  |
| 3B9  | AUGER DRIVE SHEAVES AND SPROCKETS .....        | 170 - 19 | 2K10     | BLOCK, CHECK (AUTO HEIGHT).....                       | 160 - 6  |
| 2I25 | AUGER DRIVE TIGHTENER, UPPER TAILINGS.....     | 120 - 74 | 1A22     | BLOCK, CYLINDER .....                                 | 20 - 4   |
| 3B12 | AUGER DRIVES, UNLOADING .....                  | 170 - 23 | 1A24     | BLOCK, CYLINDER .....                                 | 20 - 6   |
| 2J17 | AUGER HINGE AND SWING, UNLOADING.....          | 130 - 15 | 2K6      | BLOCK, VALVE, MAIN (AUTO HEIGHT) .....                | 160 - 2  |
| 2J18 | AUGER HOUSING, OUTER UNLOADING .....           | 130 - 16 | 2F2      | BOTTOM, FEEDER HOUSE FALSE .....                      | 110 - 9  |
| 2H24 | AUGER HOUSING, SHOE GRAIN SUPPLY.....          | 120 - 45 | 2C20     | BOX, TOOL.....  | 80 - 7   |
| 2K9  | AUGER SWING .....                              | 160 - 5  | 2C19     | BRACE, CROSS, SEPARATOR .....                         | 80 - 6   |
| 2B7  | AUGER SWING CONTROL VALVE, UNLOADING .....     | 70 - 12  | 1F9      | BRACKET AND CIRCUIT BREAKERS .....                    | 40 - 17  |
| 2B6  | AUGER SWING CONTROL, HYDRAULIC .....           | 70 - 11  | 1F21     | BRACKET AND WINDSHIELD WIPER .....                    | 40 - 30  |
| 2B11 | AUGER SWING HOSES AND LINE, UNLOADING .....    | 70 - 17  | 2C11     | BRACKET,MTG.,ACCUMULATOR,AND PRES.CTL.<br>VALVE ..... | 70 - 45  |
| 2B9  | AUGER SWING HYDRAULIC CYLINDER,UNLOADING ....  | 70 - 15  | 1H25     | BRACKET,RELATIVE GROUND SPEED INDICATOR.....          | 50 - 23  |
| 2B12 | AUGER SWING LINE, UNLOADING.....               | 70 - 18  | 2D16     | BRACKETS, OPERATOR'S CAB MOUNTING .....               | 90 - 10  |
| 2I12 | AUGER, CLEAN GRAIN .....                       | 120 - 60 | 2C8      | BRACKETS, PLATFORM LIFT .....                         | 70 - 42  |
| 2J15 | AUGER, INNER UNLOADING .....                   | 130 - 13 | 1I10     | BRAKE LINES .....                                     | 60 - 3   |
| 2I20 | AUGER, LOWER TAILINGS .....                    | 120 - 69 | 1I12     | BRAKE MASTER CYLINDER .....                           | 60 - 5   |
| 2J17 | AUGER, OUTER UNLOADING .....                   | 130 - 15 | 1I9      | BRAKE PEDALS AND LINKAGE.....                         | 60 - 2   |
| 2I24 | AUGER, UPPER TAILINGS.....                     | 120 - 73 | 1I13     | BRAKE SLAVE CYLINDER .....                            | 60 - 6   |
| 2J20 | AUGERS, GRAIN TANK AUXILIARY UNLOADING .....   | 130 - 18 | 1I14     | BRAKE SLAVE CYLINDER .....                            | 60 - 7   |
| 2H25 | AUGERS, SHOE GRAIN SUPPLY .....                | 120 - 47 | 1I15     | BRAKE SLAVE CYLINDER KIT.....                         | 60 - 9   |
| 1E2  | AUTOMATIC ADVANCE .....                        | 30 - 31  | 1I8      | BRAKE, PARKING .....                                  | 60 - 1   |
| 2K9  | AUTOMATIC HEADER HEIGHT LINES .....            | 160 - 5  | 1I11     | BRAKES AND HOUSING.....                               | 60 - 4   |
| 2B13 | AUX. UNLDG. AUG. HYD. DR. SELECTOR VALVE ..... | 70 - 19  | 2I22     | BUCKET, TAILINGS ELEVATOR .....                       | 120 - 71 |
| 2B13 | AUX. UNLDG. AUG. HYD. DR. VALVE SUPPORT .....  | 70 - 19  | 1F3      | BULB, ACCUMULATOR PRESSURE GAUGE .....                | 40 - 10  |
| 2B14 | AUX. UNLDG. AUGER HYD. DRIVE OIL LINES .....   | 70 - 20  | 2D16     | BUSHINGS, OPERATOR'S CAB MOUNTING .....               | 90 - 10  |
| 2J11 | AUXILIARY UNLDG. AUGER HYD. DR. CONTROL .....  | 130 - 9  |          |   |          |
| 2J16 | AUXILIARY UNLOADING AUG. DRIVE TIGHTENER ..... | 130 - 14 |          |   |          |
| 2J16 | AUXILIARY UNLOADING AUGER DR.MOTOR SUPT. ....  | 130 - 14 |          |   |          |
| 2B15 | AUXILIARY UNLOADING AUGER HYD. DR. MOTOR ..... | 70 - 21  |          |   |          |
| 2J21 | AUXILIARY UNLOADING AUGERS DRIVE SHAFT.....    | 130 - 19 |          |   |          |

## ALPHABETICAL INDEX - CONTINUED

| GRID |   | PAGE   | GRID |   | PAGE   |
|------|---|--------|------|---|--------|
|      | <b>C</b>                                      |        |      |   |        |
| 2D23 | CAB BODY, OPERATOR'S .....                    | 90-17  | 2E9  | COMPRESSOR, HI PRESSURE SWITCH .....                    | 90-28  |
| 2E2  | CAB ROOF .....                                | 90-21  | 2G17 | CONCAVE ADJUSTING CONTROLS .....                        | 120-13 |
| 2E2  | CAB ROOF RECIRCULATING FILTERS .....          | 90-21  | 2G16 | CONCAVE ADJUSTING SHAFT .....                           | 120-12 |
| 1F12 | CAB, OPERATOR'S .....                         | 40-20  | 2G11 | CONCAVE, OPEN-BAR .....                                 | 120-7  |
| 1F13 | CAB, OPERATOR'S .....                         | 40-21  | 2G16 | CONCAVE, SECTOR .....                                   | 120-12 |
| 2F13 | CABLE, FLOAT SPRING INDICATOR .....           | 110-20 | 2G14 | CONCAVE, SPIKE-TOOTH .....                              | 120-10 |
| 1I8  | CABLE, PARKING BRAKE .....                    | 60-1   | 2E13 | CONDENSER AND RECEIVER-DRIER, AIR COND.....             | 90-33  |
| 1H25 | CABLE, RELATIVE GROUND SPEED INDICATOR.....   | 50-23  | 1A21 | CONDITIONER, COOLANT AND STOP LEAK.....                 | 20-3   |
| 1G15 | CABLE, WIRING.....                            | 40-50  | 1F3  | CONNECTOR, ACCUMULATOR PRESSURE GAUGE .....             | 40-10  |
| 1F8  | CABLES, BATTERY AND BRACKETS .....            | 40-15  | 1G17 | CONNECTOR, ELECTRICAL, SERVICE KIT .....                | 40-52  |
| 1B17 | CAMSHAFT.....                                 | 20-24  | 1G21 | CONNECTORS, SUPPLEMENTARY TERMINALS.....                | 40-56  |
| 1B12 | CAP, MAIN BEARING .....                       | 20-19  | 2D22 | CONSOLE AND INSTRUMENT PANEL .....                      | 90-16  |
| 1F23 | CAPACITOR, RADIO .....                        | 40-32  | 2A23 | CONTROL VALVE, HYDRAULIC.....                           | 70-4   |
| 1B13 | CAPS, MAIN BEARING .....                      | 20-20  | 2B1  | CONTROL VALVE, HYDRAULIC.....                           | 70-6   |
| 2I4  | CHAFFER AND SIEVE.....                        | 120-51 | 2B7  | CONTROL VALVE, UNLOADING AUGER SWING .....              | 70-12  |
| 2I6  | CHAFFER FRAME, UPPER SHOE.....                | 120-54 | 2B8  | CONTROL VALVE, UNLOADING AUGER SWING .....              | 70-13  |
| 2F10 | CHAIN GUIDES, DRIVE, FEEDER CONVEYOR .....    | 110-17 | 2K14 | CONTROL, DIAL-A-MATIC HEADER HEIGHT .....               | 160-10 |
| 2I14 | CHAIN, CLEAN GRAIN ELEVATOR CONVEYOR .....    | 120-62 | 2K15 | CONTROL, DIAL-A-MATIC HEADER HEIGHT .....               | 160-11 |
| 2F8  | CHAIN, CONVEYOR, FEEDER .....                 | 110-15 | 2B6  | CONTROL, HYDRAULIC AUGER SWING .....                    | 70-11  |
| 3A24 | CHAIN, PRIMARY.....                           | 170-7  | 2F24 | CONTROL, PLATFORM VARIABLE BELT DRIVE .....             | 110-31 |
| 3B2  | CHAINS AND BELTS, FEEDER HOUSE DRIVE .....    | 170-11 | 2J10 | CONTROL, UNLOADING AUGER DRIVE.....                     | 130-8  |
| 2K10 | CHECK BLOCK (AUTO HEIGHT) .....               | 160-6  | 2C11 | CONTROL, PRES. VALVE, ACCUMULATOR AND MTG.<br>BKT. .... | 70-45  |
| 2H15 | CHOPPER CURTAIN AND SHIELDS, STRAW .....      | 120-36 | 2B4  | CONTROL, VARIABLE SPEED CYLINDER-SEP. SIDE .....        | 70-9   |
| 2H9  | CHOPPER HOUSING, STRAW .....                  | 120-30 | 2J11 | CONTROLS, AUXILIARY UNLDG. AUG. HYD. DR.....            | 130-9  |
| 2H11 | CHOPPER, STRAW .....                          | 120-32 | 1I8  | CONTROLS, BRAKE, PARKING .....                          | 60-1   |
| 2H13 | CHOPPER, STRAW, PLATES AND FINS.....          | 120-34 | 2G17 | CONTROLS, CONCAVE .....                                 | 120-13 |
| 2K15 | CIRCUIT BOX AND AMPLIFIER .....               | 160-11 | 1H3  | CONTROLS, GEARSHIFT .....                               | 50-1   |
| 1F9  | CIRCUIT BREAKERS AND BRACKET .....            | 40-17  | 1H24 | CONTROLS, GROUND SPEED.....                             | 50-22  |
| 1H25 | CLAMP, RELATIVE GROUND SPEED INDICATOR .....  | 50-23  | 1H24 | CONTROLS, GROUND SPEED INDICATOR .....                  | 50-22  |
| 2I12 | CLEAN GRAIN AUGER AND HOUSING .....           | 120-60 | 1I8  | CONTROLS, HYDROSTATIC DRIVE REEL.....                   | 60-1   |
| 3B10 | CLEAN GRAIN ELEVATOR.....                     | 170-21 | 2D9  | CONTROLS, PIVOTING LADDER.....                          | 90-3   |
| 3B10 | CLEAN GRAIN ELEVATOR BELTS .....              | 170-21 | 2B16 | CONTROLS, REEL LIFT .....                               | 70-22  |
| 2I14 | CLEAN GRAIN ELEVATOR CONVEYOR CHAIN.....      | 120-62 | 2J1  | CONTROLS, SEPARATOR DRIVE .....                         | 120-75 |
| 2I14 | CLEAN GRAIN ELEVATOR CONVEYOR SHAFT .....     | 120-62 | 1I1  | CONTROLS, SPEED, SELECTIVE GROUND .....                 | 50-24  |
| 2I14 | CLEAN GRAIN ELEVATOR CONVEYOR SHEAVE.....     | 120-62 | 1D4  | CONTROLS, THROTTLE .....                                | 30-8   |
| 2I14 | CLEAN GRAIN ELEVATOR CONVEYOR SPROCKETS ..... | 120-62 | 2K1  | CONTROLS, VARIABLE SPEED CLEANING FAN .....             | 140-4  |
| 2I17 | CLEAN GRAIN ELEVATOR DRIVE IDLER.....         | 120-65 | 2B5  | CONTROLS, VARIABLE SPEED CYLINDER .....                 | 70-10  |
| 2I16 | CLEAN GRAIN ELEVATOR DRIVE TIGHTENER.....     | 120-64 | 1C9  | COOLANT HEATER, ENGINE.....                             | 20-41  |
| 2I13 | CLEAN GRAIN ELEVATOR HOUSING.....             | 120-61 | 1B22 | COOLER, OIL, ENGINE.....                                | 20-29  |
| 3B10 | CLEAN GRAIN ELEVATOR SHEAVES.....             | 170-21 | 1B23 | COOLER, OIL, ENGINE.....                                | 20-30  |
| 2I12 | CLEAN GRAIN LOWER AUGER AND HOUSING .....     | 120-60 | 1I4  | COUNTERSHAFT SHEAVE, PROPULSION DRIVE.....              | 50-27  |
| 1E15 | CLEANER, AIR .....                            | 30-44  | 2I15 | COUNTERSHAFT, CLEAN GRAIN ELEVATOR DRIVE.....           | 120-63 |
| 2I9  | CLEANING FAN .....                            | 120-57 | 2F21 | COUNTERSHAFT, PLAT. LOWER VAR. DR. BELT .....           | 110-28 |
| 3B5  | CLEANING FAN .....                            | 170-15 | 2F22 | COUNTERSHAFT, PLATFORM UPPER CHAIN DRIVE .....          | 110-29 |
| 2I11 | CLEANING FAN AIR DUCTS .....                  | 120-59 | 2J24 | COUNTERSHAFT, PRIMARY .....                             | 140-2  |
| 2K1  | CLEANING FAN DRIVE ADJUSTMENT .....           | 140-4  | 3A24 | COUNTERSHAFT, PRIMARY .....                             | 170-7  |
| 2I10 | CLEANING FAN HOUSING AND SHIELD .....         | 120-58 | 1I5  | COUNTERSHAFT, PROPULSION DRIVE.....                     | 50-28  |
| 3B5  | CLEANING SHOE AND STRAW WALKER DRIVES .....   | 170-15 | 2K1  | COUNTERSHAFT, SEPARATOR, SECONDARY .....                | 140-4  |
| 2D14 | CLOSURE, ENGINE POWERSHAFT .....              | 90-8   | 1H12 | COUNTERSHAFT, TRANSMISSION .....                        | 50-10  |
| 1H22 | CLUTCH AND HOUSING, DRIVE WHEEL.....          | 50-20  | 2J12 | COUNTERSHAFT, UNLOADING AUGER .....                     | 130-10 |
| 1H23 | CLUTCH INPUT SHAFT AND HOUSING .....          | 50-21  | 2E21 | COUPLER AND SHIELDS, QUIK-TATCH.....                    | 110-1  |
| 1H21 | CLUTCH PEDAL AND LINKAGE.....                 | 50-19  | 2B23 | COUPLERS AND HOSES .....                                | 70-32  |
| 2E9  | CLUTCH, COMPRESSOR .....                      | 90-28  | 1F3  | COVER, ACCUMULATOR PRESSURE GAUGE .....                 | 40-10  |
| 1F2  | CLUTCH, PLATFORM ELECTROMAGNETIC.....         | 40-9   | 2J6  | COVER, AIR INTAKE TUBE .....                            | 130-4  |
| 2E8  | CLUTCH, PULLEY, AND COMPRESSOR COIL .....     | 90-27  | 2J8  | COVER, EXTENSION SHEETS, GRAIN TANK .....               | 130-6  |
| 1G10 | COIL ASSEMBLY, STARTING MOTOR .....           | 40-44  | 1E6  | COVER, FUEL INJECTION PUMP .....                        | 30-35  |
| 2E8  | COIL, CLUTCH, PULLEY, AND COMPRESSOR .....    | 90-27  | 2J13 | COVER, INNER UNLOADING AUGER .....                      | 130-11 |
| 2K11 | COIL, SOLENOID CONTROL VALVE (AUTO HGT.)..... | 160-7  | 1B10 | COVER, ROCKER ARM .....                                 | 20-17  |
| 1D5  | COLD WEATHER STARTING AID .....               | 30-9   | 1B11 | COVER, ROCKER ARM .....                                 | 20-18  |
| 2E9  | COMPRESSOR CHARGE LABEL .....                 | 90-28  | 2J7  | COVER, SIDE SHEETS, GRAIN TANK .....                    | 130-5  |
| 2E9  | COMPRESSOR CLUTCH.....                        | 90-28  | 1B4  | COVER, TIMING GEAR .....                                | 20-11  |
| 2E8  | COMPRESSOR COIL, CLUTCH, AND PULLEY .....     | 90-27  | 2J9  | COVER, TOP SHEETS, GRAIN TANK .....                     | 130-7  |
| 2E10 | COMPRESSOR HARDWARE SET .....                 | 90-29  | 2J20 | COVERS, GRAIN TANK AUXILIARY UNLOADING .....            | 130-18 |
| 2E11 | COMPRESSOR, AIR COND., MTG. & SUPTS. ....     | 90-30  | 2G17 | CRANK, CONCAVE CONTROL.....                             | 120-13 |
| 2E12 | COMPRESSOR, AIR COND., MTG. & SUPTS. ....     | 90-31  | 2I8  | CRANK, SHOE PITMAN .....                                | 120-56 |
|      |   |        | 1B14 | CRANKSHAFT AND IDLER GEARS .....                        | 20-21  |



## ALPHABETICAL INDEX - CONTINUED

| <i>GRID</i> |  | <i>PAGE</i> | <i>GRID</i> |   | <i>PAGE</i> |
|-------------|--|-------------|-------------|---|-------------|
| 1B15        | CRANKSHAFT AND IDLER GEARS .....               | 20-22       | 2J10        | DRIVE CONTROL, UNLOADING AUGER.....                 | 130-8       |
| 1B16        | CRANKSHAFT KIT, UNDERSIZE .....                | 20-23       | 2H18        | DRIVE IDLER, STRAW CHOPPER.....                     | 120-39      |
| 2H6         | CRANKSHAFT, STRAW WALKER .....                 | 120-27      | 2J21        | DRIVE SHAFT, AUXILIARY UNLOADING AUGERS .....       | 130-19      |
| 2H7         | CRANKSHAFT, STRAW WALKER .....                 | 120-28      | 2I16        | DRIVE TIGHTENER, CLEAN GRAIN ELEVATOR .....         | 120-64      |
| 2H15        | CURTAIN AND SHIELDS, STRAW CHOPPER .....       | 120-36      | 2G19        | DRIVE TIGHTENER, CYLINDER.....                      | 120-15      |
| 2H4         | CURTAINS, SEPARATOR .....                      | 120-25      | 2H18        | DRIVE TIGHTENER, STRAW CHOPPER.....                 | 120-39      |
| 2D20        | CUSHIONS, SEAT .....                           | 90-14       | 2I25        | DRIVE TIGHTENER, UPPER TAILINGS AUGER.....          | 120-74      |
| 1A22        | CYLINDER BLOCK.....                            | 20-4        | 2J16        | DRIVE TIGHTENER,AUXILIARY UNLOADING AUG.....        | 130-14      |
| 1A24        | CYLINDER BLOCK.....                            | 20-6        | 1H4         | DRIVE WHEEL AND SPACERS .....                       | 50-2        |
| 2B4         | CYLINDER CONTROL,VARIABLE SPEED-SEP.SIDE ..... | 70-9        | 1H5         | DRIVE WHEEL AXLE.....                               | 50-3        |
| 2G19        | CYLINDER DRIVE TIGHTENER .....                 | 120-15      | 1H22        | DRIVE WHEEL CLUTCH AND HOUSING .....                | 50-20       |
| 1B7         | CYLINDER HEAD.....                             | 20-14       | 1H7         | DRIVE WHEELS, FENDERS .....                         | 50-5        |
| 1B8         | CYLINDER HEAD.....                             | 20-15       | 1E4         | DRIVE, FUEL INJECTION PUMP .....                    | 30-33       |
| 1B9         | CYLINDER HEAD OVERHEAT WARNING SENSOR .....    | 20-16       | 1G9         | DRIVE, STARTING MOTOR .....                         | 40-43       |
| 1B20        | CYLINDER LINER KIT .....                       | 20-27       | 3B7         | DRIVES, STRAW CHOPPER .....                         | 170-17      |
| 1A21        | CYLINDER LINER PACKING LUBRICANT.....          | 20-3        | 3B7         | DRIVES, STRAW SPREADER .....                        | 170-17      |
| 2G21        | CYLINDER SHAFT SHEAR HUB AND SHEAVE .....      | 120-17      | 3B5         | DRIVES, STRAW WALKER .....                          | 170-15      |
| 2G15        | CYLINDER TACHOMETER, VARIABLE SPEED .....      | 120-11      | 3B12        | DRIVES, UNLOADING AUGER .....                       | 170-23      |
| 1114        | CYLINDER, BRAKE .....                          | 60-7        | 2K7         | DROP RATE VALVE (AUTO HEIGHT) .....                 | 160-3       |
| 1114        | CYLINDER, BRAKE ROD .....                      | 60-7        | 2F7         | DRUM, FEEDER.....                                   | 110-14      |
| 1113        | CYLINDER, BRAKE SLAVE.....                     | 60-6        | 2I11        | DUCTS, CLEANING FAN AIR .....                       | 120-59      |
| 112         | CYLINDER, HYD., SELECTIVE GROUND SPEED .....   | 50-25       |             |   |             |
| 1112        | CYLINDER, HYDRAULIC, BRAKE-MASTER .....        | 60-5        |             | <b>E</b>  |             |
| 2C6         | CYLINDER, HYDRAULIC, FDR. HSE. VAR. DR.....    | 70-40       | 1F21        | ELECTRIC MOTOR, WINDSHIELD WIPER .....              | 40-30       |
| 1123        | CYLINDER, HYDRAULIC, POWER STEERING .....      | 60-17       | 1D11        | ELECTRIC SHUT-OFF KIT, FUEL INJECTION<br>PUMP ..... | 30-15       |
| 2C8         | CYLINDER, PLATFORM LIFT .....                  | 70-42       | 1G17        | ELECTRICAL CONNECTOR SERVICE KIT .....              | 40-52       |
| 2G9         | CYLINDER, RASP-BAR .....                       | 120-5       | 1F2         | ELECTROMAGNETIC CLUTCH, PLATFORM.....               | 40-9        |
| 2G18        | CYLINDER, SEP., DR. INTERMEDIATE SHAFT .....   | 120-14      | 2I16        | ELEVATOR DRIVE TIGHTENER, CLEAN GRAIN .....         | 120-64      |
| 2H4         | CYLINDER, SEPARATOR, SHEAR BAR .....           | 120-25      | 2I13        | ELEVATOR, CLEAN GRAIN .....                         | 120-61      |
| 2G13        | CYLINDER, SPIKE-TOOTH .....                    | 120-9       | 3B10        | ELEVATOR, CLEAN GRAIN .....                         | 170-21      |
| 2B9         | CYLINDER,UNLOADING AUGER SWING HYDRAULIC ....  | 70-15       | 2I21        | ELEVATOR, TAILINGS.....                             | 120-70      |
|             |  |             | 3B9         | ELEVATOR, TAILINGS.....                             | 170-19      |
|             | <b>D</b>                                       |             | 2C22        | ENGINE COMPARTMENT REAR SHEET .....                 | 80-9        |
| 3B17        | DECALS .....                                   | 170-28      | 2D2         | ENGINE COMPARTMENT WALKWAY .....                    | 80-14       |
| 3B16        | DECALS, FRONT AND REAR.....                    | 170-27      | 1C9         | ENGINE COOLANT HEATER .....                         | 20-41       |
| 3B14        | DECALS, R.H. AND L.H. ....                     | 170-25      | 1A25        | ENGINE FRONT PLATE .....                            | 20-7        |
| 1F16        | DIAL-A-MATIC HDR. HEIGHT CONTROL SWITCH.....   | 40-25       | 1B1         | ENGINE FRONT PLATE .....                            | 20-8        |
| 2K14        | DIAL-A-MATIC HEADER HEIGHT CONTROL .....       | 160-10      | 1B22        | ENGINE OIL COOLER.....                              | 20-29       |
| 2K15        | DIAL-A-MATIC HEADER HEIGHT CONTROL .....       | 160-11      | 1B23        | ENGINE OIL COOLER.....                              | 20-30       |
| 1D3         | DIESEL FUEL FILTER, EXPORT .....               | 30-7        | 1A25        | ENGINE OIL FILTER AND DIPSTICK.....                 | 20-7        |
| 1C23        | DIESEL FUEL LINES AND FILTER .....             | 30-2        | 1B1         | ENGINE OIL FILTER AND DIPSTICK.....                 | 20-8        |
| 1D2         | DIESEL FUEL LINES, EXPORT .....                | 30-6        | 1B24        | ENGINE OIL PUMP .....                               | 20-31       |
| 1H15        | DIFF. GEARS, SHAFTS, AND BEARINGS.....         | 50-13       | 1A20        | ENGINE OIL, TORQ-GARD SUPREME .....                 | 20-1        |
| 1H11        | DIFFERENTIAL AND TRANSMISSION .....            | 50-9        | 1C1         | ENGINE OVERHAUL GASKET SET .....                    | 20-33       |
| 1H15        | DIFFERENTIAL GEARS AND BEARINGS .....          | 50-13       | 1C3         | ENGINE OVERHAUL GASKET SET .....                    | 20-35       |
| 1H15        | DIFFERENTIAL GEARS AND SHAFTS .....            | 50-13       | 2J23        | ENGINE POWERSHAFT .....                             | 140-1       |
| 1H14        | DIFFERENTIAL PINION SHAFT AND GEARS.....       | 50-12       | 2D14        | ENGINE POWERSHAFT CLOSURE .....                     | 90-8        |
| 1G1         | DIODE RING, ALTERNATOR, 72 AMP.....            | 40-34       | 3A21        | ENGINE R.H. SIDE SHEAVES .....                      | 170-3       |
| 1G3         | DIODE TRIO ASSEMBLY, ALTERNATOR, 90 AMP .....  | 40-36       | 3A21        | ENGINE R.H. SIDE TIGHTENERS .....                   | 170-3       |
| 1A25        | DIPSTICK, ENGINE OIL .....                     | 20-7        | 3A21        | ENGINE R.H. SIDE-BELT .....                         | 170-3       |
| 1B1         | DIPSTICK, ENGINE OIL .....                     | 20-8        | 1B10        | ENGINE ROCKER ARM COVER .....                       | 20-17       |
| 3A22        | DISK, ROTARY SCREEN .....                      | 170-5       | 1B11        | ENGINE ROCKER ARM COVER .....                       | 20-18       |
| 1C13        | DISPLACER, ROTARY SCREEN DRIVE BELT .....      | 20-45       | 1C8         | ENGINE SUPPORTS .....                               | 20-40       |
| 2D4         | DOOR SEALS, ROTARY SCREEN.....                 | 80-16       | 1F18        | ENGINE TACH-HOUR METER .....                        | 40-27       |
| 2I13        | DOOR, CLEAN GRAIN ELEVATOR .....               | 120-61      | 1C4         | ENGINE TUNE-UP GASKET SET.....                      | 20-36       |
| 2G7         | DOOR, CYLINDER.....                            | 120-3       | 1C5         | ENGINE TUNE-UP GASKET SET.....                      | 20-37       |
| 2C24        | DOOR, ENGINE COMPARTMENT, MIDDLE .....         | 80-11       | 1A20        | ENGINE VALVE STEM LUBRICANT.....                    | 20-1        |
| 2C23        | DOOR, ENGINE COMPARTMENT, UPPER.....           | 80-10       | 1B10        | ENGINE VENTILATOR TUBE .....                        | 20-17       |
| 2D5         | DOOR, OIL RESERVOIR.....                       | 80-17       | 1B11        | ENGINE VENTILATOR TUBE .....                        | 20-18       |
| 2C18        | DOOR, REAR HOOD.....                           | 80-5        | 1F6         | ENGINE WIRING HARNESS.....                          | 40-13       |
| 2G7         | DOOR, REMOTE DUMP STONE TRAP.....              | 120-3       | 2C24        | ENGINE, MIDDLE DOOR FRAME.....                      | 80-11       |
| 2D3         | DOOR, ROTARY SCREEN .....                      | 80-15       | 2D1         | ENGINE, SEALS AND RUBBER CUSHIONS.....              | 80-13       |
| 2G11        | DOOR, STONE TRAP .....                         | 120-7       | 2C23        | ENGINE, UPPER DOOR FRAME AND HINGES .....           | 80-10       |
| 2I21        | DOOR, TAILINGS ELEVATOR .....                  | 120-70      | 1B25        | EXHAUST MANIFOLD .....                              | 20-32       |
| 2D25        | DOORS FOR OPERATOR'S CAB.....                  | 90-19       |             |   |             |

## ALPHABETICAL INDEX - CONTINUED

| GRID |  | PAGE   | GRID |  | PAGE   |
|------|--|--------|------|--|--------|
| 1E17 | EXHAUST PIPES AND MUFFLER .....                | 30-46  | 1H20 | FINAL DRIVE PINION, HEAVY-DUTY .....                 | 50-18  |
| 2J9  | EXTENSION, TOP SHEETS, GRAIN TANK COVER .....  | 130-7  | 1H20 | FINAL DRIVE SHAFT, HEAVY-DUTY .....                  | 50-18  |
| 2J5  | EXTENSIONS, GRAIN TANK .....                   | 130-3  | 2I4  | FINGER, BAR, CHAFFER FRAME .....                     | 120-51 |
|      |  |        | 2I6  | FINGER, BAR, CHAFFER FRAME .....                     | 120-54 |
|      | <b>F</b>                                       |        | 2H11 | FINS, STRAW CHOPPER .....                            | 120-32 |
|      |  |        | 2H13 | FINS, STRAW CHOPPER .....                            | 120-34 |
| 2I11 | FAN AIR DUCTS, CLEANING .....                  | 120-59 | 1I24 | FIXED REAR AXLE .....                                | 60-18  |
| 1C17 | FAN DRIVE BELT TIGHTENER, RADIATOR .....       | 20-49  | 1C10 | FLAT ROTARY SCREEN .....                             | 20-42  |
| 1G1  | FAN, ALTERNATOR, 72 AMP .....                  | 40-34  | 2F13 | FLOAT SPRING, INDICATOR .....                        | 110-20 |
| 1G3  | FAN, ALTERNATOR, 90 AMP .....                  | 40-36  | 2F12 | FLOAT SPRINGS .....                                  | 110-19 |
| 2I9  | FAN, CLEANING .....                            | 120-57 | 2D12 | FLOOR MATS, OPERATOR'S PLATFORM .....                | 90-6   |
| 3B5  | FAN, CLEANING .....                            | 170-15 | 2D12 | FLOORBOARD AND SHLDS, OPERATOR'S PLATFORM ..         | 90-6   |
| 1C16 | FAN, SHEAVE, AND SUPPORT .....                 | 20-48  | 2K8  | FLOW CONTROL PLUG (AUTO HEIGHT) .....                | 160-4  |
| 2K1  | FAN, SPEED CONTROLS, CLEANING .....            | 140-4  | 2B16 | FLOW CONTROL VALVE KNOB .....                        | 70-22  |
| 2F16 | FDR.HSE.VAR.DR.MIDDLE BELT TIGHTENER .....     | 110-23 | 2B25 | FLOW CONTROL VALVE, HYDROSTATIC DR.REEL .....        | 70-34  |
| 2F19 | FDR.HSE.VARIABLE BELT DRIVE LOWER SHAFT .....  | 110-26 | 1B2  | FLYWHEEL HOUSING ASSEMBLY .....                      | 20-9   |
| 2G1  | FDR.HSE.VARIABLE DR.LOWER BELT TIGHTENER ..... | 110-33 | 1B3  | FLYWHEEL HOUSING ASSEMBLY .....                      | 20-10  |
| 2G7  | FEED PLATE .....                               | 120-3  | 1H11 | FORK, TRANSMISSION .....                             | 50-9   |
| 2F8  | FEEDER CONVEYOR CHAIN .....                    | 110-15 | 2C15 | FRAME AND SHEETS, SEPARATOR R.H. SIDE .....          | 80-2   |
| 2F9  | FEEDER CONVEYOR CHAIN DRIVE TIGHTENER .....    | 110-16 | 2F3  | FRAME, FEEDER HOUSE .....                            | 110-10 |
| 2F10 | FEEDER CONVEYOR DRIVE CHAIN GUIDES .....       | 110-17 | 2F5  | FRAME, FEEDER HOUSE .....                            | 110-12 |
| 2G2  | FEEDER CONVEYOR DRIVE TIGHTENER, L.H. ....     | 110-34 | 2I5  | FRAME, LOWER SHOE, SIEVE .....                       | 120-53 |
| 2F11 | FEEDER CONVEYOR, DRIVE CHAIN GUIDES .....      | 110-18 | 2C16 | FRAME, SEPARATOR .....                               | 80-3   |
| 2F7  | FEEDER CONVEYOR, IDLER SHAFT .....             | 110-14 | 2C16 | FRAME, SEPARATOR L.H. ....                           | 80-3   |
| 2G2  | FEEDER HOUSE CHAIN DRIVE TIGHTENER, L.H. ....  | 110-34 | 2I6  | FRAME, UPPER SHOE, CHAFFER .....                     | 120-54 |
| 3B2  | FEEDER HOUSE DRIVE BELTS AND CHAINS .....      | 170-11 | 1G7  | FRONT AND REAR ALTERNATOR SUPPORTS .....             | 40-41  |
| 2F20 | FEEDER HOUSE DRIVE CHAIN LOWER SHAFT .....     | 110-27 | 2C25 | FRONT ENGINE COMPARTMENT PANEL .....                 | 80-12  |
| 3B2  | FEEDER HOUSE DRIVE SHEAVES .....               | 170-11 | 1E20 | FRONT WIRING HARNESS .....                           | 40-2   |
| 3B2  | FEEDER HOUSE DRIVE SPROCKETS .....             | 170-11 | 1C25 | FUEL FILTER .....                                    | 30-4   |
| 2F2  | FEEDER HOUSE FALSE BOTTOM .....                | 110-9  | 1D1  | FUEL FILTER .....                                    | 30-5   |
| 2C3  | FEEDER HOUSE OIL LINES, VARIABLE DRIVE .....   | 70-37  | 1D8  | FUEL INJECTION LINES .....                           | 30-12  |
| 2F17 | FEEDER HOUSE SPROCKETS AND SLIP CLUTCH .....   | 110-24 | 1D22 | FUEL INJECTION NOZZLE .....                          | 30-27  |
| 2E24 | FEEDER HOUSE TOP SHEETS .....                  | 110-5  | 1E11 | FUEL INJECTION NOZZLE .....                          | 30-40  |
| 2F25 | FEEDER HOUSE UPPER DRIVE TIGHTENER .....       | 110-32 | 1D21 | FUEL INJECTION NOZZLE ASSEMBLY .....                 | 30-25  |
| 2F17 | FEEDER HOUSE UPPER SHAFT .....                 | 110-24 | 1D8  | FUEL INJECTION PUMP .....                            | 30-12  |
| 2F19 | FEEDER HOUSE VARIABLE BELT DRIVE SHEAVE .....  | 110-26 | 1D24 | FUEL INJECTION PUMP .....                            | 30-29  |
| 2C6  | FEEDER HOUSE VARIABLE DRIVE HYD. CYL. ....     | 70-40  | 1D12 | FUEL INJECTION PUMP AUTOMATIC ADVANCE<br>GROUP ..... | 30-16  |
| 2F7  | FEEDER HOUSE, DRUM .....                       | 110-14 | 1E6  | FUEL INJECTION PUMP COVER .....                      | 30-35  |
| 2F3  | FEEDER HOUSE, FRAME .....                      | 110-10 | 1E4  | FUEL INJECTION PUMP DRIVE .....                      | 30-33  |
| 2F5  | FEEDER HOUSE, FRAME .....                      | 110-12 | 1D14 | FUEL INJECTION PUMP DRIVE GROUP .....                | 30-18  |
| 2F14 | FEEDER HOUSE, R.H. SHIELD .....                | 110-21 | 1D10 | FUEL INJECTION PUMP ELEC. SHUT-OFF GROUP .....       | 30-14  |
| 2E23 | FEEDER HOUSE, SHEETS, FRONT .....              | 110-4  | 1D11 | FUEL INJECTION PUMP ELECTRIC SHUT-OFF<br>KIT .....   | 30-15  |
| 2F3  | FEEDER HOUSE, SHEETS, SIDE .....               | 110-10 | 1D19 | FUEL INJECTION PUMP GASKET KIT .....                 | 30-23  |
| 2F5  | FEEDER HOUSE, SHEETS, SIDE .....               | 110-12 | 1E10 | FUEL INJECTION PUMP GASKET KIT .....                 | 30-39  |
| 2F14 | FEEDER HOUSE, SHIELDS, LEFT-HAND .....         | 110-21 | 1D15 | FUEL INJECTION PUMP GOVERNOR GROUP .....             | 30-19  |
| 1H7  | FENDER, DRIVE WHEEL .....                      | 50-5   | 1D16 | FUEL INJECTION PUMP HEAD .....                       | 30-20  |
| 1F20 | FIELD LIGHTS .....                             | 40-29  | 1E4  | FUEL INJECTION PUMP HEAD .....                       | 30-33  |
| 1D3  | FILTER, DIESEL FUEL, EXPORT .....              | 30-7   | 1D13 | FUEL INJECTION PUMP HOUSING .....                    | 30-17  |
| 1C23 | FILTER, DIESEL LINES .....                     | 30-2   | 1E2  | FUEL INJECTION PUMP HOUSING .....                    | 30-31  |
| 1A25 | FILTER, ENGINE OIL .....                       | 20-7   | 1D17 | FUEL INJECTION PUMP LINKAGE GROUP .....              | 30-21  |
| 1B1  | FILTER, ENGINE OIL .....                       | 20-8   | 1D16 | FUEL INJECTION PUMP ROTOR .....                      | 30-20  |
| 1C25 | FILTER, FUEL .....                             | 30-4   | 1E4  | FUEL INJECTION PUMP ROTOR .....                      | 30-33  |
| 1D1  | FILTER, FUEL .....                             | 30-5   | 1D18 | FUEL INJECTION PUMP TRANSFER GROUP .....             | 30-22  |
| 1D3  | FILTER, FUEL .....                             | 30-7   | 1D6  | FUEL INJECTION SYSTEM .....                          | 30-10  |
| 2A20 | FILTER, OIL RESERVOIR .....                    | 70-1   | 1D8  | FUEL INJECTION SYSTEM .....                          | 30-12  |
| 2E2  | FILTERS, RECIRCULATING, CAB ROOF .....         | 90-21  | 1D24 | FUEL INJECTION SYSTEM .....                          | 30-29  |
| 1H16 | FINAL DRIVE .....                              | 50-14  | 1C23 | FUEL LINES .....                                     | 30-2   |
| 1H18 | FINAL DRIVE AXLE (HEAVY-DUTY) .....            | 50-16  | 1D2  | FUEL LINES, DIESEL, EXPORT .....                     | 30-6   |
| 1H19 | FINAL DRIVE AXLE, GEAR, AND BEARINGS .....     | 50-17  | 1C22 | FUEL TANK AND SUPPORTS .....                         | 30-1   |
| 1H19 | FINAL DRIVE AXLE, HEAVY-DUTY .....             | 50-17  | 1E12 | FUEL TRANSFER PUMP .....                             | 30-41  |
| 1H18 | FINAL DRIVE BEARINGS (HEAVY-DUTY) .....        | 50-16  | 1E13 | FUEL TRANSFER PUMP .....                             | 30-42  |
| 1H19 | FINAL DRIVE BEARINGS, HEAVY-DUTY .....         | 50-17  | 1E12 | FUEL TRANSFER PUMP KIT .....                         | 30-41  |
| 1H20 | FINAL DRIVE BEARINGS, HEAVY-DUTY .....         | 50-18  | 1E22 | FUEL, GAUGE SENDING UNIT .....                       | 40-4   |
| 1H18 | FINAL DRIVE GEAR (HEAVY-DUTY) .....            | 50-16  | 1E22 | FUEL, PUMP .....                                     | 40-4   |
| 1H19 | FINAL DRIVE GEAR, HEAVY-DUTY .....             | 50-17  |      |  |        |
| 1H17 | FINAL DRIVE HOUSING AND BEARING CAP .....      | 50-15  |      |  |        |

## ALPHABETICAL INDEX - CONTINUED

| GRID     |  | PAGE   | GRID     |  | PAGE   |  |  |  |
|----------|--|--------|----------|--|--------|--|--|--|
| <b>G</b> |  |        |          |  |        |  |  |  |
| 1E10     | GASKET KIT.....                              | 30-39  | 2B20     | HOSES, REEL DRIVE OIL .....                    | 70-28  |  |  |  |
| 1D19     | GASKET KIT, FUEL INJECTION PUMP.....         | 30-23  | 2C4      | HOSES, VARIABLE DRIVE FEEDER HOUSE .....       | 70-38  |  |  |  |
| 1C1      | GASKET SET, ENGINE OVERHAUL .....            | 20-33  | 1I11     | HOUSING AND BRAKES.....                        | 60-4   |  |  |  |
| 1C3      | GASKET SET, ENGINE OVERHAUL .....            | 20-35  | 1H23     | HOUSING AND CLUTCH INPUT SHAFT .....           | 50-21  |  |  |  |
| 1C4      | GASKET SET, ENGINE TUNE-UP .....             | 20-36  | 1H22     | HOUSING AND CLUTCH, DRIVE WHEEL.....           | 50-20  |  |  |  |
| 1C5      | GASKET SET, ENGINE TUNE-UP .....             | 20-37  | 2I18     | HOUSING AND LOADING AUGER.....                 | 120-67 |  |  |  |
| 1C19     | GAUGE TUBE, OIL PRESSURE.....                | 20-51  | 1G1      | HOUSING, ALTERNATOR, 72 AMP .....              | 40-34  |  |  |  |
| 1F3      | GAUGE, ACCUMULATOR PRESSURE .....            | 40-10  | 1G3      | HOUSING, ALTERNATOR, 90 AMP .....              | 40-36  |  |  |  |
| 1F17     | GAUGES AND SWITCHES ON INSTRUMENT PANEL..... | 40-26  | 2H24     | HOUSING, AUGER, SHOE GRAIN SUPPLY .....        | 120-45 |  |  |  |
| 2I19     | GEAR CASE LOADING AUGER .....                | 120-68 | 2I2      | HOUSING, CLEAN GRAIN AUGER .....               | 120-60 |  |  |  |
| 1H18     | GEAR, FINAL DRIVE (HEAVY-DUTY) .....         | 50-16  | 2I3      | HOUSING, CLEAN GRAIN ELEVATOR .....            | 120-61 |  |  |  |
| 1H14     | GEARS AND DIFFERENTIAL PINION SHAFT.....     | 50-12  | 2I10     | HOUSING, CLEANING FAN .....                    | 120-58 |  |  |  |
| 1H12     | GEARS AND TRANSMISSION COUNTERSHAFT.....     | 50-10  | 1H17     | HOUSING, FINAL DRIVE.....                      | 50-15  |  |  |  |
| 1B14     | GEARS, IDLER AND CRANKSHAFT .....            | 20-21  | 1B2      | HOUSING, FLYWHEEL .....                        | 20-9   |  |  |  |
| 1B15     | GEARS, IDLER AND CRANKSHAFT .....            | 20-22  | 1B3      | HOUSING, FLYWHEEL .....                        | 20-10  |  |  |  |
| 1H3      | GEARSHIFT CONTROLS.....                      | 50-1   | 1D13     | HOUSING, FUEL INJECTION PUMP .....             | 30-17  |  |  |  |
| 2D24     | GLASS, OPERATOR'S CAB .....                  | 90-18  | 1E2      | HOUSING, FUEL INJECTION PUMP .....             | 30-31  |  |  |  |
| 1D15     | GOVERNOR ASSEMBLY.....                       | 30-19  | 2I20     | HOUSING, LOWER TAILINGS .....                  | 120-69 |  |  |  |
| 2H25     | GRAIN SUPPLY AUGERS, SHOE .....              | 120-47 | 2J18     | HOUSING, OUTER UNLOADING AUGER .....           | 130-16 |  |  |  |
| 2J3      | GRAIN TANK .....                             | 130-1  | 1G10     | HOUSING, STARTING MOTOR .....                  | 40-44  |  |  |  |
| 2J20     | GRAIN TANK AUXILIARY UNLOADING AUGERS .....  | 130-18 | 2H9      | HOUSING, STRAW CHOPPER .....                   | 120-30 |  |  |  |
| 2J20     | GRAIN TANK AUXILIARY UNLOADING COVERS .....  | 130-18 | 2H10     | HOUSING, STRAW CHOPPER .....                   | 120-31 |  |  |  |
| 2J8      | GRAIN TANK COVER EXTENSION SHEETS .....      | 130-6  | 2H22     | HOUSING, STRAW SPREADER.....                   | 120-43 |  |  |  |
| 2J7      | GRAIN TANK COVER SIDE SHEETS .....           | 130-5  | 2I13     | HOUSING, STRAW SPREADER.....                   | 120-61 |  |  |  |
| 2J9      | GRAIN TANK COVER TOP SHEETS .....            | 130-7  | 2I21     | HOUSING, TAILINGS ELEVATOR .....               | 120-70 |  |  |  |
| 2J5      | GRAIN TANK EXTENSIONS .....                  | 130-3  | 2I24     | HOUSING, UPPER TAILINGS AUGER.....             | 120-73 |  |  |  |
| 2J13     | GRAIN TANK INNER UNLOADING AUG. COVER .....  | 130-11 | 1H25     | HOUSING,RELATIVE GROUND SPEED INDICATOR.....   | 50-23  |  |  |  |
| 2J4      | GRAIN TANK SKIRTS .....                      | 130-2  | 2G21     | HUB, SHEAR, CYLINDER SHAFT, AND SHEAVE .....   | 120-17 |  |  |  |
| 2J7      | GRAIN TANK, SIDE SHEETS, COVER .....         | 130-5  | 2B6      | HYDRAULIC AUGER SWING CONTROL.....             | 70-11  |  |  |  |
| 2J14     | GRASS SEED UNLOADING ATTACHMENT .....        | 130-12 | 2A23     | HYDRAULIC CONTROL VALVE .....                  | 70-4   |  |  |  |
| 2F13     | GROUND SPEED, CONTROL LEVER .....            | 110-20 | 2B1      | HYDRAULIC CONTROL VALVE .....                  | 70-6   |  |  |  |
| 1H24     | GROUND SPEED, INDICATOR.....                 | 50-22  | 2B23     | HYDRAULIC HOSE .....                           | 70-32  |  |  |  |
| 2H20     | GUARD AND MOUNTING, STRAW SPREADER.....      | 120-41 | 2A21     | HYDRAULIC PUMP .....                           | 70-2   |  |  |  |
| 1H8      | GUARD, TRANSMISSION SHEAVE .....             | 50-6   | 2B3      | HYDRAULIC PUMP LINES, MAIN.....                | 70-8   |  |  |  |
| 2F11     | GUIDE, FEEDER CONVEYOR DRIVE CHAIN.....      | 110-18 | 2A22     | HYDRAULIC PUMP TORQUE ARM AND SUPPORT .....    | 70-3   |  |  |  |
| 2K3      | GUIDES, SEPARATOR AUGER DRIVE BELT .....     | 140-6  | 2B18     | HYDRAULIC PUMP, HYDROSTATIC DRIVE REEL.....    | 70-25  |  |  |  |
| 2K3      | GUIDES, UNLOADING AUGER DRIVE BELT .....     | 140-6  | 2B25     | HYDROSTATIC DR. REEL FLOW CONTROL VALVE.....   | 70-34  |  |  |  |
| <b>H</b> |  |        |          |  |        |  |  |  |
| 2D12     | HANDRAILS, OPERATOR'S PLATFORM.....          | 90-6   | 2B18     | HYDROSTATIC DRIVE REEL HYDRAULIC PUMP .....    | 70-25  |  |  |  |
| 1F6      | HARNESS, ENGINE WIRING .....                 | 40-13  | 2B19     | HYDROSTATIC DRIVE REEL PUMP MOUNTING.....      | 70-27  |  |  |  |
| 1E20     | HARNESS, FRONT WIRING .....                  | 40-2   | 1I8      | HYDROSTATIC DRIVE REEL, CONTROL KNOB .....     | 60-1   |  |  |  |
| 1F21     | HARNESS, WIPER.....                          | 40-30  | <b>I</b> |  |        |  |  |  |
| 2K13     | HARNESS, WIRING .....                        | 160-9  | 2H18     | IDLER, STRAW CHOPPER DRIVE.....                | 120-39 |  |  |  |
| 2K14     | HARNESS, WIRING .....                        | 160-10 | 2F13     | INDICATOR, FLOAT SPRING .....                  | 110-20 |  |  |  |
| 1E21     | HARNESS, WIRING, MIDDLE .....                | 40-3   | 1F5      | INDICATOR, LOW SHAFT SPEED .....               | 40-12  |  |  |  |
| 1E22     | HARNESS, WIRING, REAR.....                   | 40-4   | 1H25     | INDICATOR, RELATIVE GROUND SPEED .....         | 50-23  |  |  |  |
| 1E22     | HARNESS, WIRING, TAIL LAMP .....             | 40-4   | 1E11     | INJECTION NOZZLE, FUEL .....                   | 30-40  |  |  |  |
| 1B7      | HEAD, CYLINDER .....                         | 20-14  | 1E10     | INJECTION PUMP GASKET KIT.....                 | 30-39  |  |  |  |
| 1B8      | HEAD, CYLINDER .....                         | 20-15  | 1D6      | INJECTION SYSTEM, FUEL .....                   | 30-10  |  |  |  |
| 1D16     | HEAD, FUEL INJECTION PUMP.....               | 30-20  | 2J15     | INNER UNLOADING AUGER .....                    | 130-13 |  |  |  |
| 1E4      | HEAD, FUEL INJECTION PUMP.....               | 30-33  | 1H13     | INPUT SHAFT, TRANSMISSION.....                 | 50-11  |  |  |  |
| 1F24     | HEADPHONE, RADIO .....                       | 40-33  | 2D22     | INSTRUMENT PANEL AND CONSOLE .....             | 90-16  |  |  |  |
| 2E17     | HEATER AND HOSES.....                        | 90-37  | 2C22     | INSTRUMENT WALL, ENGINE COMPARTMENT .....      | 80-9   |  |  |  |
| 1C9      | HEATER, COOLANT, ENGINE .....                | 20-41  | 1B25     | INTAKE MANIFOLD, AIR .....                     | 20-32  |  |  |  |
| 2E9      | HI PRESSURE SWITCH, COMPRESSOR .....         | 90-28  | 2E4      | INTAKE, AIR, REAR OF OPERATOR'S CAB.....       | 90-23  |  |  |  |
| 2J17     | HINGE AND SWING, UNLOADING AUGER.....        | 130-15 | 2G22     | INTERMEDIATE SHAFT, CYL. DR., SLOW SPEED ..... | 120-19 |  |  |  |
| 2D25     | HINGES FOR OPERATOR'S CAB .....              | 90-19  | 2G18     | INTERMEDIATE SHAFT, CYLINDER DRIVE .....       | 120-14 |  |  |  |
| 2C18     | HOOD, REAR .....                             | 80-5   | <b>K</b> |  |        |  |  |  |
| 1F14     | HORNS, SIGNAL .....                          | 40-23  | 1A21     | KIT FOR OFF SEASON STORAGE .....               | 20-3   |  |  |  |
| 1F3      | HOSE, ACCUMULATOR PRESSURE GAUGE.....        | 40-10  | 2C2      | KIT, ADJUSTING SCREW .....                     | 70-36  |  |  |  |
| 2B23     | HOSES AND COUPLERS .....                     | 70-32  | 1I15     | KIT, BRAKE SLAVE CYLINDER .....                | 60-9   |  |  |  |
| 2E17     | HOSES AND HEATER.....                        | 90-37  | 2E10     | KIT, COMPRESSOR HARDWARE .....                 | 90-29  |  |  |  |

## ALPHABETICAL INDEX - CONTINUED

| <i>GRID</i> |  | <i>PAGE</i> | <i>GRID</i> |   | <i>PAGE</i> |
|-------------|--|-------------|-------------|---|-------------|
| 1B20        | KIT, CYLINDER LINER .....                            | 20 - 27     | 2B3         | MAIN HYDRAULIC PUMP LINES .....               | 70 - 8      |
| 1G17        | KIT, ELECTRICAL CONNECTOR SERVICE.....               | 40 - 52     | 2K6         | MAIN VALVE BLOCK (AUTO HEIGHT) .....          | 160 - 2     |
| 1D11        | KIT, FUEL INJECTION PUMP ELECTRIC SHUT-<br>OFF ..... | 30 - 15     | 1B25        | MANIFOLD, EXHAUST.....                        | 20 - 32     |
| 1D19        | KIT, FUEL INJECTION PUMP GASKET .....                | 30 - 23     | 1C7         | MANIFOLD, WATER.....                          | 20 - 39     |
| 1E10        | KIT, FUEL INJECTION PUMP GASKET .....                | 30 - 39     | 1F18        | METER, TACH-HOUR, ENGINE .....                | 40 - 27     |
| 1E12        | KIT, FUEL TRANSFER.....                              | 30 - 41     | 1F4         | MICRO SWITCH, STRAW WALKER SENSING UNIT ..... | 40 - 11     |
| 2C1         | KIT, HYDRO. DR. REEL FLOW CONTROL VALVE .....        | 70 - 35     | 1E21        | MIDDLE WIRING HARNESS .....                   | 40 - 3      |
| 1G15        | KIT, TERMINAL AND WIRING .....                       | 40 - 50     | 2D24        | MIRROR, OPERATOR'S CAB .....                  | 90 - 18     |
| 2E16        | KIT,O-RING, AIR CONDITIONING.....                    | 90 - 36     | 2E5         | MIRROR, RIGHT-HAND.....                       | 90 - 24     |
| 2B10        | KIT,UNLOADING AUGER SWING HYD.CYLINDER.....          | 70 - 16     | 2B15        | MOTOR, HYD. DR. AUXILIARY UNLDG. AUGER .....  | 70 - 21     |
| 2H16        | KNIFE AND SUPPORT, STRAW CHOPPER .....               | 120 - 37    | 2B17        | MOTOR, REEL .....                             | 70 - 23     |
| 2B16        | KNOB, FLOW CONTROL VALVE .....                       | 70 - 22     | 1G7         | MOTOR, STARTING.....                          | 40 - 41     |
| 2D18        | KNOB, OPERATOR'S PLATFORM SEAT.....                  | 90 - 12     | 1G9         | MOTOR, STARTING.....                          | 40 - 43     |
|             |  |             | 1G11        | MOTOR, STARTING.....                          | 40 - 45     |
|             | <b>L</b>   |             | 1F21        | MOTOR, WINDSHIELD WIPER.....                  | 40 - 30     |
| 2E9         | LABEL, COMPRESSOR CHARGE .....                       | 90 - 28     | 2K12        | MOUNTING AND ACTUATOR SWITCH.....             | 160 - 8     |
| 2D8         | LADDER AND LANDING, OPERATOR'S PLATFORM.....         | 90 - 1      | 2H20        | MOUNTING AND GUARD, STRAW SPREADER.....       | 120 - 41    |
| 2D9         | LADDER, PIVOTING CONTROLS.....                       | 90 - 3      | 2E11        | MOUNTING., COMPRESSOR, AIR COND. ....         | 90 - 30     |
| 2C19        | LADDER, SEPARATOR .....                              | 80 - 6      | 2E12        | MOUNTING., COMPRESSOR, AIR COND. ....         | 90 - 31     |
| 2D25        | LATCHES FOR OPERATOR'S CAB .....                     | 90 - 19     | 1I24        | MOUNTING, REAR AXLE .....                     | 60 - 18     |
| 1I8         | LEVER, PARKING BRAKE .....                           | 60 - 1      | 2B9         | MOUNTING,UNLOADING AUGER SWING HYDRAULIC....  | 70 - 15     |
| 2D9         | LEVER, PIVOTING LADDER .....                         | 90 - 3      | 1H9         | MUD SHIELD, TRANSMISSION DRIVE .....          | 50 - 7      |
| 1D4         | LEVER, THROTTLE .....                                | 30 - 8      | 1E17        | MUFFLER AND EXHAUST PIPES .....               | 30 - 46     |
| 2B5         | LEVER, VAR. SPEED CYL. ON OPER. PLATFORM .....       | 70 - 10     |             | <b>N</b>                                      |             |
| 2C8         | LIFT BRACKETS, PLATFORM .....                        | 70 - 42     | 2C11        | NAMEPLATE, ACCUMULATOR.....                   | 70 - 45     |
| 2C8         | LIFT CYLINDER, PLATFORM .....                        | 70 - 42     | 1D21        | NOZZLE, FUEL INJECTION .....                  | 30 - 25     |
| 2B16        | LIFT, PLATFORM.....                                  | 70 - 22     | 1D22        | NOZZLE, FUEL INJECTION .....                  | 30 - 27     |
| 1F20        | LIGHTS, FIELD .....                                  | 40 - 29     | 1E11        | NOZZLE, FUEL INJECTION .....                  | 30 - 40     |
| 1E23        | LIGHTS, WARNING .....                                | 40 - 5      |             | <b>O</b>                                      |             |
| 2B11        | LINE AND HOSES, UNLOADING AUGER SWING .....          | 70 - 17     | 2E16        | O-RING KIT, AIR CONDITIONING .....            | 90 - 36     |
| 2B12        | LINE, UNLOADING AUGER SWING.....                     | 70 - 18     | 1B22        | OIL COOLER, ENGINE .....                      | 20 - 29     |
| 1B20        | LINER, PISTON .....                                  | 20 - 27     | 1B23        | OIL COOLER, ENGINE .....                      | 20 - 30     |
| 1B21        | LINER, PISTON .....                                  | 20 - 28     | 2B20        | OIL HOSES, REEL DRIVE .....                   | 70 - 28     |
| 2E14        | LINES, AIR CONDITIONER .....                         | 90 - 34     | 2B14        | OIL LINES, AUX UNLDG. AUGER HYD. DRIVE .....  | 70 - 20     |
| 2K9         | LINES, AUTOMATIC HEADER HEIGHT .....                 | 160 - 5     | 2C7         | OIL LINES, PLATFORM LIFT .....                | 70 - 41     |
| 1I10        | LINES, BRAKE .....                                   | 60 - 3      | 2B22        | OIL LINES, REEL LIFT .....                    | 70 - 31     |
| 1C23        | LINES, FUEL .....                                    | 30 - 2      | 2C9         | OIL LINES, REEL LIFT .....                    | 70 - 43     |
| 1D8         | LINES, FUEL INJECTION .....                          | 30 - 12     | 1I3         | OIL LINES, SELECTIVE GROUND SPEED .....       | 50 - 26     |
| 2B14        | LINES, OIL, AUX. UNLDG. AUGER HYD. DR. ....          | 70 - 20     | 1I19        | OIL LINES, STEERING .....                     | 60 - 13     |
| 2C7         | LINES, OIL, PLATFORM LIFT .....                      | 70 - 41     | 1I21        | OIL LINES, STEERING .....                     | 60 - 15     |
| 2B3         | LINES, PUMP, MAIN HYDRAULIC .....                    | 70 - 8      | 1I20        | OIL LINES, STEERING LOWER-FRONT .....         | 60 - 14     |
| 2C9         | LINES, REEL LIFT OIL .....                           | 70 - 43     | 1I22        | OIL LINES, STEERING LOWER-REAR .....          | 60 - 16     |
| 1I3         | LINES, SELECTIVE GROUND SPEED OIL .....              | 50 - 26     | 2C3         | OIL LINES,VARIABLE DRIVE FEEDER HOUSE .....   | 70 - 37     |
| 1I20        | LINES, STEERING LOWER OIL-FRONT .....                | 60 - 14     | 1B5         | OIL PAN, ENGINE .....                         | 20 - 12     |
| 1I22        | LINES, STEERING LOWER OIL-REAR .....                 | 60 - 16     | 1B6         | OIL PAN, ENGINE .....                         | 20 - 13     |
| 2C3         | LINES,OIL,VARIABLE DRIVE FEEDER HOUSE .....          | 70 - 37     | 1C19        | OIL PRESSURE GAUGE TUBE .....                 | 20 - 51     |
| 1I9         | LINKAGE AND BRAKE PEDALS.....                        | 60 - 2      | 1B24        | OIL PUMP, LUBRICATING, ENGINE .....           | 20 - 31     |
| 1H21        | LINKAGE AND CLUTCH PEDAL.....                        | 50 - 19     | 2A20        | OIL RESERVOIR .....                           | 70 - 1      |
| 2E14        | LO PRESSURE SWITCH, AIR CONDITIONER .....            | 90 - 34     | 2D5         | OIL RESERVOIR DOOR .....                      | 80 - 17     |
| 2I18        | LOADING AUGER AND HOUSING.....                       | 120 - 67    | 1A20        | OIL, ENGINE, TORQ-GARD SUPREME.....           | 20 - 1      |
| 3B10        | LOADING AUGER DRIVE SHEAVES AND BELTS .....          | 170 - 21    | 2G11        | OPEN-BAR CONCAVE.....                         | 120 - 7     |
| 2E3         | LOUVERS AND PANELS, OPERATOR'S CAB .....             | 90 - 22     | 1F12        | OPERATOR'S CAB .....                          | 40 - 20     |
| 1F5         | LOW SHAFT SPEED INDICATOR .....                      | 40 - 12     | 1F13        | OPERATOR'S CAB .....                          | 40 - 21     |
| 2I20        | LOWER TAILINGS AUGER .....                           | 120 - 69    | 2D23        | OPERATOR'S CAB BODY.....                      | 90 - 17     |
| 2I23        | LOWER TAILINGS AUGER DRIVE TIGHTENER.....            | 120 - 72    | 2E7         | OPERATOR'S CAB COMPRESSOR AND VALVE.....      | 90 - 26     |
| 2I20        | LOWER TAILINGS HOUSING .....                         | 120 - 69    | 2D25        | OPERATOR'S CAB DOORS .....                    | 90 - 19     |
| 1A21        | LUBRICANT, PACKING, CYLINDER LINER.....              | 20 - 3      | 1F11        | OPERATOR'S CAB ELECTRICAL SWITCHES .....      | 40 - 19     |
| 1A20        | LUBRICANT, STEM, ENGINE VALVE .....                  | 20 - 1      | 1F11        | OPERATOR'S CAB ELECTRICAL WIRING .....        | 40 - 19     |
|             | <b>M</b>   |             | 2D25        | OPERATOR'S CAB HINGES .....                   | 90 - 19     |
| 1B12        | MAIN BEARING CAPS AND BEARINGS .....                 | 20 - 19     | 2D25        | OPERATOR'S CAB LATCHES .....                  | 90 - 19     |
| 1B13        | MAIN BEARING CAPS AND BEARINGS .....                 | 20 - 20     | 2D16        | OPERATOR'S CAB MOUNTING BRACKETS .....        | 90 - 10     |

## ALPHABETICAL INDEX - CONTINUED

| <i>GRID</i> |  | <i>PAGE</i> | <i>GRID</i> |  | <i>PAGE</i> |
|-------------|--|-------------|-------------|--|-------------|
| 2D16        | OPERATOR'S CAB MOUNTING BUSHINGS .....         | 90 - 10     | 1E6         | PUMP COVER, FUEL INJECTION .....               | 30 - 35     |
| 2D16        | OPERATOR'S CAB MOUNTING SEALS .....            | 90 - 10     | 1E22        | PUMP, FUEL .....                               | 40 - 4      |
| 2E3         | OPERATOR'S CAB PANELS AND LOUVERS .....        | 90 - 22     | 1D8         | PUMP, FUEL INJECTION .....                     | 30 - 12     |
| 2E6         | OPERATOR'S CAB PRESSURIZER .....               | 90 - 25     | 1D24        | PUMP, FUEL INJECTION .....                     | 30 - 29     |
| 2E1         | OPERATOR'S CAB SOUND INSULATION AND SEAL ..... | 90 - 20     | 1D20        | PUMP, FUEL TRANSFER .....                      | 30 - 24     |
| 2D25        | OPERATOR'S CAB TOOL POCKET .....               | 90 - 19     | 1E12        | PUMP, FUEL TRANSFER .....                      | 30 - 41     |
| 2E4         | OPERATOR'S CAB, AIR INTAKE, REAR .....         | 90 - 23     | 1E13        | PUMP, FUEL TRANSFER .....                      | 30 - 42     |
| 2D24        | OPERATOR'S CAB, GLASS .....                    | 90 - 18     | 2A21        | PUMP, HYDRAULIC .....                          | 70 - 2      |
| 2D24        | OPERATOR'S CAB, MIRROR .....                   | 90 - 18     | 2B18        | PUMP, HYDROSTATIC DRIVE REEL .....             | 70 - 25     |
| 2D12        | OPERATOR'S PLATFORM FLOOR MATS .....           | 90 - 6      | 1I17        | PUMP, STEERING .....                           | 60 - 11     |
| 2D12        | OPERATOR'S PLATFORM HANDRAILS .....            | 90 - 6      | 1E8         | PUMP, TRANSFER .....                           | 30 - 37     |
| 2D8         | OPERATOR'S PLATFORM LADDER AND LANDING .....   | 90 - 1      |             |  |             |
| 2D17        | OPERATOR'S PLATFORM SEAT SUPPORTS .....        | 90 - 11     |             | <b>Q</b>                                       |             |
| 2D18        | OPERATOR'S PLATFORM SEAT SUPPORTS .....        | 90 - 12     |             |  |             |
| 2D12        | OPERATOR'S PLATFORM SHLDS AND FLOORBOARD ..    | 90 - 6      | 2E21        | QUIK-TATCH COUPLER AND SHIELDS .....           | 110 - 1     |
| 2J18        | OUTER UNLOADING AUGER HOUSING .....            | 130 - 16    |             |  |             |
|             | <b>P</b>                                       |             |             | <b>R</b>                                       |             |
| 2I22        | PADDLE, TAILINGS ELEVATOR .....                | 120 - 71    | 1C14        | RADIATOR .....                                 | 20 - 46     |
| 1B5         | PAN, OIL, ENGINE .....                         | 20 - 12     | 1C15        | RADIATOR .....                                 | 20 - 47     |
| 1B6         | PAN, OIL, ENGINE .....                         | 20 - 13     | 1C17        | RADIATOR FAN DRIVE BELT TIGHTENER .....        | 20 - 49     |
| 2C25        | PANEL, COMPARTMENT, FRONT ENGINE .....         | 80 - 12     | 1F22        | RADIO .....                                    | 40 - 31     |
| 2E3         | PANELS AND LOUVERS, OPERATOR'S CAB .....       | 90 - 22     | 1F23        | RADIO .....                                    | 40 - 32     |
| 1H25        | PIN, RELATIVE GROUND SPEED INDICATOR .....     | 50 - 23     | 1F24        | RADIO, HEADPHONES .....                        | 40 - 33     |
| 1B20        | PISTON LINER .....                             | 20 - 27     | 2D18        | RAIL, OPERATOR'S PLATFORM SEAT .....           | 90 - 12     |
| 1B21        | PISTON LINER .....                             | 20 - 28     | 1H11        | RAIL, SHIFTER, TRANSMISSION .....              | 50 - 9      |
| 1B20        | PISTONS AND CONNECTING RODS .....              | 20 - 27     | 2D2         | RAILING, SAFETY .....                          | 80 - 14     |
| 1B21        | PISTONS AND CONNECTING RODS .....              | 20 - 28     | 2G9         | RASP-BAR CYLINDER .....                        | 120 - 5     |
| 2I8         | PITMAN, SHOE .....                             | 120 - 56    | 1I24        | REAR AXLE MOUNTING .....                       | 60 - 18     |
| 2D9         | PIVOTING LADDER CONTROLS .....                 | 90 - 3      | 1J1         | REAR AXLE SPINDLES .....                       | 60 - 20     |
| 2G7         | PLATE, FEED .....                              | 120 - 3     | 1I25        | REAR AXLE, ADJUSTABLE .....                    | 60 - 19     |
| 2H11        | PLATE, STRAW CHOPPER .....                     | 120 - 32    | 1I24        | REAR AXLE, FIXED .....                         | 60 - 18     |
| 2H13        | PLATE, STRAW CHOPPER .....                     | 120 - 34    | 1J2         | REAR AXLE, TIE ROD, STEERING .....             | 60 - 21     |
| 2F16        | PLATF.VAR.DR.MIDDLE BELT TIGHTENER .....       | 110 - 23    | 2C18        | REAR HOOD .....                                | 80 - 5      |
| 2G1         | PLATF.VARIABLE DR.LOWER BELT TIGHTENER .....   | 110 - 33    | 1J3         | REAR WHEELS .....                              | 60 - 22     |
| 2G2         | PLATFORM CHAIN DRIVE TIGHTENER, L.H. ....      | 110 - 34    | 2B20        | REEL DRIVE OIL HOSES .....                     | 70 - 28     |
| 1F2         | PLATFORM ELECTROMAGNETIC CLUTCH .....          | 40 - 9      | 2B25        | REEL FLOW CONTROL VALVE, HYDROSTATIC DR. ....  | 70 - 34     |
| 2D8         | PLATFORM LADDER AND LANDING, OPERATOR'S ..     | 90 - 1      | 2B16        | REEL LIFT CONTROLS .....                       | 70 - 22     |
| 2B16        | PLATFORM LIFT AND REEL LIFT CONTROLS .....     | 70 - 22     | 2B22        | REEL LIFT OIL LINES .....                      | 70 - 31     |
| 2C8         | PLATFORM LIFT BRACKETS .....                   | 70 - 42     | 2C9         | REEL LIFT OIL LINES .....                      | 70 - 43     |
| 2C8         | PLATFORM LIFT CYLINDER .....                   | 70 - 42     | 2B17        | REEL MOTOR .....                               | 70 - 23     |
| 2C7         | PLATFORM LIFT OIL LINES .....                  | 70 - 41     | 1E23        | REFLECTORS .....                               | 40 - 5      |
| 2C8         | PLATFORM LIFT SAFETY STOP .....                | 70 - 42     | 2G7         | REINFORCEMENT, CYLINDER DOOR .....             | 120 - 3     |
| 2D12        | PLATFORM SHLDS AND FLOORBOARD, OPERATOR'S ..   | 90 - 6      | 1H25        | RELATIVE GROUND SPEED INDICATOR .....          | 50 - 23     |
| 2F25        | PLATFORM UPPER DRIVE TIGHTENER .....           | 110 - 32    | 2G7         | REMOTE DUMP STONE TRAP .....                   | 120 - 3     |
| 2K8         | PLUG, FLOW CONTROL (AUTO HEIGHT) .....         | 160 - 4     | 2A20        | RESERVOIR, OIL .....                           | 70 - 1      |
| 1I23        | POWER STEERING CYLINDER .....                  | 60 - 17     | 1B19        | ROCKER ARM AND VALVES .....                    | 20 - 26     |
| 1I18        | POWER STEERING, CONTROL VALVE .....            | 60 - 12     | 1B18        | ROCKER ARMS AND VALVES .....                   | 20 - 25     |
| 1I21        | POWER STEERING, OIL LINES .....                | 60 - 15     | 2D3         | ROD, SAFETY .....                              | 80 - 15     |
| 2D14        | POWERSHAFT CLOSURE, ENGINE .....               | 90 - 8      | 1B20        | RODS, CONNECTING AND PISTON .....              | 20 - 27     |
| 2J23        | POWERSHAFT, ENGINE .....                       | 140 - 1     | 1B21        | RODS, CONNECTING AND PISTON .....              | 20 - 28     |
| 1E14        | PRECLEANER .....                               | 30 - 43     | 2E2         | ROOF, CAB .....                                | 90 - 21     |
| 2C11        | PRESS.CTL.VALVE AND MTG.BKT, ACCUMULATOR ..    | 70 - 45     | 2H3         | ROTARY DEFLECTOR DRIVE TIGHTENER .....         | 120 - 24    |
| 1F3         | PRESSURE GAUGE, ACCUMULATOR .....              | 40 - 10     | 3A22        | ROTARY SCREEN DISK, BELT, AND TIGHTENERS ..... | 170 - 5     |
| 2E6         | PRESSURIZER, OPERATOR'S CAB .....              | 90 - 25     | 2D3         | ROTARY SCREEN DOOR AND SAFETY ROD .....        | 80 - 15     |
| 3A24        | PRIMARY BELTS .....                            | 170 - 7     | 2D4         | ROTARY SCREEN DOOR SEALS .....                 | 80 - 16     |
| 3A24        | PRIMARY CHAIN .....                            | 170 - 7     | 1C13        | ROTARY SCREEN DRIVE BELT DISPLACER .....       | 20 - 45     |
| 2J24        | PRIMARY COUNTERSHAFT .....                     | 140 - 2     | 1C13        | ROTARY SCREEN DRIVE BELT TIGHTENERS .....      | 20 - 45     |
| 3A24        | PRIMARY COUNTERSHAFT .....                     | 170 - 7     | 1C18        | ROTARY SCREEN DRIVE BELT TIGHTENERS .....      | 20 - 50     |
| 2J25        | PRIMARY CTR'SHAFT. CYL. DRIVE SHEAVE .....     | 140 - 3     | 1C12        | ROTARY SCREEN DRIVE SHAFT .....                | 20 - 44     |
| 3A24        | PRIMARY SHEAVES .....                          | 170 - 7     | 1C10        | ROTARY SCREEN, FLAT .....                      | 20 - 42     |
| 3A24        | PRIMARY SPROCKETS .....                        | 170 - 7     | 1G1         | ROTOR, ALTERNATOR, 72 AMP .....                | 40 - 34     |
| 3A24        | PRIMARY TIGHTENERS .....                       | 170 - 7     | 1G3         | ROTOR, ALTERNATOR, 90 AMP .....                | 40 - 36     |
| 1I4         | PROPULSION DRIVE COUNTERSHAFT SHEAVE .....     | 50 - 27     | 1D16        | ROTOR, FUEL INJECTION PUMP .....               | 30 - 20     |
| 1C6         | PUMP ASSEMBLY, WATER .....                     | 20 - 38     | 1E4         | ROTOR, FUEL INJECTION PUMP .....               | 30 - 33     |

## ALPHABETICAL INDEX - CONTINUED

| GRID |   | PAGE   | GRID |  | PAGE   |
|------|---|--------|------|--|--------|
| 2H17 | ROTOR, STRAW CHOPPER.....                     | 120-38 | 3B2  | SHEAVES, FEEDER HOUSE DRIVE .....            | 170-11 |
|      | S   |        | 3A24 | SHEAVES, PRIMARY.....                        | 170-7  |
| 2D2  | SAFETY RAILING.....                           | 80-14  | 2J25 | SHEAVES,DRIVE,PRIMARY CTR'SHAFT CYL.....     | 140-3  |
| 2D3  | SAFETY ROD AND ROTARY SCREEN DOOR.....        | 80-15  | 3B4  | SHEAVES,SHOE GRAIN SUPPLY AUGERS DRIVE.....  | 170-13 |
| 2C8  | SAFETY STOP, PLATFORM LIFT .....              | 70-42  | 2J8  | SHEET, EXTENSION, GRAIN TANK COVER .....     | 130-6  |
| 1E22 | SAFETY SWITCH, NEUTRAL .....                  | 40-4   | 2E23 | SHEET, FEEDER HOUSE, FRONT .....             | 110-4  |
| 1C10 | SCREEN ROTARY, FLAT .....                     | 20-42  | 2F3  | SHEET, FEEDER HOUSE, SIDE .....              | 110-10 |
| 2G7  | SEAL, CYLINDER DOOR.....                      | 120-3  | 2F5  | SHEET, FEEDER HOUSE, SIDE .....              | 110-12 |
| 2D1  | SEALS, ENGINE COMPARTMENT.....                | 80-13  | 2C16 | SHEET, SEPARATOR, SIDE.....                  | 80-3   |
| 2E1  | SEALS, OPERATOR'S CAB .....                   | 90-20  | 2C14 | SHEET, SEPARATOR, TOP .....                  | 80-1   |
| 2D16 | SEALS, OPERATOR'S CAB MOUNTING .....          | 90-10  | 2J9  | SHEET, TOP, GRAIN TANK COVER .....           | 130-7  |
| 2D4  | SEALS, ROTARY SCREEN DOOR.....                | 80-16  | 2C15 | SHEETS AND FRAME, SEPARATOR R.H. SIDE .....  | 80-2   |
| 2D19 | SEAT BACKREST SUPPORTS.....                   | 90-13  | 2G7  | SHEETS, SEPARATOR FRONT .....                | 120-3  |
| 2D20 | SEAT CUSHIONS.....                            | 90-14  | 2E24 | SHEETS, TOP, FEEDER HOUSE .....              | 110-5  |
| 2D17 | SEAT SUPPORTS, OPERATOR'S PLATFORM.....       | 90-11  | 2I10 | SHIELD AND CLEANING FAN HOUSING .....        | 120-58 |
| 2K1  | SECONDARY COUNTERSHAFT.....                   | 140-4  | 2F15 | SHIELD, DRIVE, VARIABLE BELT .....           | 110-22 |
| 2K2  | SECONDARY COUNTERSHAFT DR.TIGHTENER .....     | 140-5  | 2E23 | SHIELD, FEEDER DRUM .....                    | 110-4  |
| 3A25 | SECONDARY COUNTERSHAFT SHEAVES AND BELT....   | 170-9  | 2F14 | SHIELD, FEEDER HOUSE LEFT-HAND.....          | 110-21 |
| 2G16 | SECTOR, CONCAVE .....                         | 120-12 | 2E22 | SHIELD, LOWER, L.H., SPECIAL .....           | 110-3  |
| 1I1  | SELECTIVE GROUND SPEED CONTROLS .....         | 50-24  | 1H9  | SHIELD, MUD, TRANSMISSION DRIVE.....         | 50-7   |
| 1I2  | SELECTIVE GROUND SPEED CYLINDER .....         | 50-25  | 2E23 | SHIELD, PLATFORM AUGER .....                 | 110-4  |
| 1I3  | SELECTIVE GROUND SPEED OIL LINES.....         | 50-26  | 2F14 | SHIELD, R.H., FEEDER HOUSE.....              | 110-21 |
| 2B13 | SELECTOR VALVE, AUX. UNLOADING AUGER .....    | 70-19  | 2C20 | SHIELD, R.H., SEPARATOR .....                | 80-7   |
| 1F4  | SENSING UNIT, STRAW WALKER, PLUGGING .....    | 40-11  | 2H19 | SHIELD, SHEAVE, STRAW CHOPPER .....          | 120-40 |
| 1B9  | SENSOR CYLINDER HEAD OVERHEAT WARNING .....   | 20-16  | 2H7  | SHIELD, STRAW SPREADER.....                  | 120-28 |
| 2K3  | SEPARATOR AUGER DRIVE BELT GUIDES .....       | 140-6  | 2E21 | SHIELDS AND COUPLER, QUIK-TATCH.....         | 110-1  |
| 2C19 | SEPARATOR CROSS BRACE .....                   | 80-6   | 2H15 | SHIELDS AND CURTAIN, STRAW CHOPPER .....     | 120-36 |
| 2H4  | SEPARATOR CURTAINS.....                       | 120-25 | 1F7  | SHIELDS, CABLES, BRACKETS, AND BATTERY.....  | 40-14  |
| 2J1  | SEPARATOR DRIVE CONTROLS.....                 | 120-75 | 2H23 | SHIELDS, STRAW SPREADER .....                | 120-44 |
| 2G7  | SEPARATOR FRONT SHEETS.....                   | 120-3  | 2D12 | SHLDS AND FLOORBOARD,OPERATOR'S PLATFORM ..  | 90-6   |
| 2C16 | SEPARATOR L.H. FRAME .....                    | 80-3   | 2H8  | SHOE AND STRAW WALKER DRIVE TIGHTENER .....  | 120-29 |
| 2C16 | SEPARATOR L.H. SIDE SHEETS.....               | 80-3   | 2I3  | SHOE GR.SUPPLY AUGERS DR.TIGHTENER .....     | 120-50 |
| 2C19 | SEPARATOR LADDER .....                        | 80-6   | 2H24 | SHOE GRAIN SUPPLY AUGER HOUSING .....        | 120-45 |
| 2C20 | SEPARATOR R.H. SHIELD .....                   | 80-7   | 2H25 | SHOE GRAIN SUPPLY AUGERS .....               | 120-47 |
| 2C15 | SEPARATOR R.H. SIDE SHEETS AND FRAME .....    | 80-2   | 2I3  | SHOE GRAIN SUPPLY AUGERS DR. SHIELD .....    | 120-50 |
| 2C14 | SEPARATOR TOP SHEET .....                     | 80-1   | 3B4  | SHOE GRAIN SUPPLY AUGERS DRIVE BELT .....    | 170-13 |
| 2K1  | SEPARATOR, SECONDARY COUNTERSHAFT .....       | 140-4  | 2I1  | SHOE GRAIN SUPPLY AUGERS DRIVE SHAFT .....   | 120-48 |
| 1G17 | SERVICE KIT, ELECTRICAL CONNECTOR.....        | 40-52  | 2I1  | SHOE GRAIN SUPPLY AUGERS DRIVE SHEAVE.....   | 120-48 |
| 2F19 | SHAFT AND SHEAVE, FDR.HSE.VAR.BELT DRIVE..... | 110-26 | 3B4  | SHOE GRAIN SUPPLY AUGERS DRIVE SHEAVES ..... | 170-13 |
| 2I8  | SHAFT AND SHOE PITMAN.....                    | 120-56 | 2I8  | SHOE PITMAN AND SHAFT .....                  | 120-56 |
| 2J21 | SHAFT, AUXILIARY UNLOADING AUGERS DRIVE ..... | 130-19 | 2I4  | SHOE, CHAFFER AND SIEVE .....                | 120-51 |
| 2I14 | SHAFT, CLEAN GRAIN ELEVATOR CONVEYOR.....     | 120-62 | 2I6  | SHOE, CHAFFER FRAME, UPPER .....             | 120-54 |
| 1H23 | SHAFT, CLUTCH INPUT .....                     | 50-21  | 3B5  | SHOE, CLEANING .....                         | 170-15 |
| 2G16 | SHAFT, CONCAVE ADJUSTING.....                 | 120-12 | 2I4  | SHOE, SIEVE AND CHAFFER .....                | 120-51 |
| 1C12 | SHAFT, DRIVE, ROTARY SCREEN .....             | 20-44  | 2I5  | SHOE, SIEVE FRAME, LOWER .....               | 120-53 |
| 2F17 | SHAFT, UPPER, FEEDER HOUSE.....               | 110-24 | 2I4  | SIEVE AND CHAFFER.....                       | 120-51 |
| 2I1  | SHAFT,DRIVE,SHOE GRAIN SUPPLY AUGERS.....     | 120-48 | 2I5  | SIEVE FRAME, LOWER SHOE.....                 | 120-53 |
| 2F20 | SHAFT,LOWER,FEEDER HOUSE DRIVE CHAIN .....    | 110-27 | 1F14 | SIGNAL HORNS.....                            | 40-23  |
| 1H15 | SHAFTS AND BEARINGS .....                     | 50-13  | 1E24 | SIGNAL, TURN.....                            | 40-7   |
| 1H15 | SHAFTS, BRGS., AND DIFFERENTIAL GEARS .....   | 50-13  | 2J4  | SKIRTS, GRAIN TANK.....                      | 130-2  |
| 2G21 | SHEAVE AND CYLINDER SHAFT SHEAR HUB .....     | 120-17 | 1I13 | SLAVE CYLINDER, BRAKE.....                   | 60-6   |
| 1G5  | SHEAVE, ALTERNATOR .....                      | 40-38  | 2F17 | SLIP CLUTCH AND SPROCKETS, FEEDER HOUSE..... | 110-24 |
| 2I14 | SHEAVE, CLEAN GRAIN ELEVATOR CONVEYOR .....   | 120-62 | 2G22 | SLOW SPD.CYL.DRIVE INTERMEDIATE SHAFT .....  | 120-19 |
| 1I4  | SHEAVE, PROPULSION DRIVE COUNTERSHAFT.....    | 50-27  | 2K5  | SOLENOID CONTROL VALVE (AUTO HEIGHT).....    | 160-1  |
| 2H19 | SHEAVE, ROTOR, STRAW CHOPPER .....            | 120-40 | 1G12 | SOLENOID SWITCH STARTER MOTOR .....          | 40-46  |
| 2I1  | SHEAVE,DRIVE,SHOE GRAIN SUPPLY AUGERS .....   | 120-48 | 1H6  | SPACER, AXLE .....                           | 50-4   |
| 3A25 | SHEAVES AND BELT, SECONDARY COUNTERSHAFT ..   | 170-9  | 1H4  | SPACERS AND DRIVE WHEEL .....                | 50-2   |
| 3B3  | SHEAVES AND BELTS, BEATER DRIVE .....         | 170-12 | 2G14 | SPIKE-TOOTH CONCAVE .....                    | 120-10 |
| 3B10 | SHEAVES AND BELTS, LOADING AUGER DRIVE.....   | 170-21 | 2G13 | SPIKE-TOOTH CYLINDER .....                   | 120-9  |
| 3B9  | SHEAVES AND SPROCKETS, AUGER DRIVE .....      | 170-19 | 1J1  | SPINDLES, REAR AXLE .....                    | 60-20  |
| 2G23 | SHEAVES, BEATER AND TACHOMETER DRIVE.....     | 120-20 | 1F15 | SPOTLIGHT .....                              | 40-24  |
| 2H1  | SHEAVES, BEATER AND TACHOMETER DRIVE.....     | 120-22 | 2H23 | SPREADER SHIELDS, STRAW .....                | 120-44 |
| 3B10 | SHEAVES, CLEAN GRAIN ELEVATOR .....           | 170-21 | 2H20 | SPREADER, STRAW, MOUNTING AND GUARD .....    | 120-41 |
| 3A21 | SHEAVES, ENGINE R.H. SIDE.....                | 170-3  | 2D18 | SPRING, OPERATOR'S PLATFORM SEAT .....       | 90-12  |
|      |   |        | 2F12 | SPRINGS, FLOAT .....                         | 110-19 |
|      |   |        | 3B9  | SPROCKETS AND SHEAVES, AUGER DRIVE .....     | 170-19 |
|      |   |        | 2F17 | SPROCKETS AND SLIP CLUTCH, FEEDER HOUSE..... | 110-24 |



## ALPHABETICAL INDEX - CONTINUED

| <i>GRID</i> |  | <i>PAGE</i> | <i>GRID</i> |   | <i>PAGE</i> |
|-------------|--|-------------|-------------|---|-------------|
| 1E13        | TRANSFER PUMP, FUEL .....                      | 30 - 42     | 1B11        | VENTILATOR TUBE, ENGINE.....                            | 20 - 18     |
| 1H10        | TRANSMISSION .....                             | 50 - 8      | 1G3         | VOLTAGE REGULATOR, ALTERNATOR, 90 AMP .....             | 40 - 36     |
| 1H11        | TRANSMISSION AND DIFFERENTIAL .....            | 50 - 9      | 1G1         | VOLTAGE REGULATOR,ALTERNATOR,72 AMP .....               | 40 - 34     |
| 1H12        | TRANSMISSION COUNTERSHAFT AND GEARS .....      | 50 - 10     |             |   |             |
| 1H9         | TRANSMISSION DRIVE MUD SHIELD.....             | 50 - 7      |             | W   |             |
| 1H13        | TRANSMISSION INPUT SHAFT .....                 | 50 - 11     |             |   |             |
| 2G7         | TRAP, REMOTE DUMP STONE .....                  | 120 - 3     | 2H5         | WALKERS, STRAW .....                                    | 120 - 26    |
| 1E16        | TUBE, AIR INTAKE .....                         | 30 - 45     | 2D2         | WALKWAY, ENGINE COMPARTMENT .....                       | 80 - 14     |
| 1C19        | TUBE, GAUGE, OIL PRESSURE .....                | 20 - 51     | 1E23        | WARNING LIGHTS.....                                     | 40 - 5      |
| 1E14        | TUBES, AIR INTAKE .....                        | 30 - 43     | 1B9         | WARNING SENSOR, CYLINDER HEAD OVERHEAT .....            | 20 - 16     |
| 1E24        | TURN SIGNALS .....                             | 40 - 7      | 1C7         | WATER MANIFOLD AND THERMOSTAT .....                     | 20 - 39     |
|             | U  |             | 1C6         | WATER PUMP ASSEMBLY.....                                | 20 - 38     |
| 1B16        | UNDERSIZE CRANKSHAFT KIT.....                  | 20 - 23     | 1J3         | WEIGHT, REAR WHEEL .....                                | 60 - 22     |
| 2J14        | UNLOADING ATTACHMENT, GRASS SEED.....          | 130 - 12    | 1I16        | WHEEL AND STEERING COLUMN .....                         | 60 - 10     |
| 2J16        | UNLOADING AUG.DRIVE TIGHTENER,AUXILIARY .....  | 130 - 14    | 1H4         | WHEEL, DRIVE .....                                      | 50 - 2      |
| 2J12        | UNLOADING AUGER COUNTERSHAFT .....             | 130 - 10    | 1H22        | WHEEL, DRIVE, CLUTCH AND HOUSING .....                  | 50 - 20     |
| 2J16        | UNLOADING AUGER DR.MOTOR SUPT.,AUXILIARY ..... | 130 - 14    | 1H7         | WHEEL, FENDER.....                                      | 50 - 5      |
| 2K3         | UNLOADING AUGER DRIVE BELT GUIDES.....         | 140 - 6     | 1J3         | WHEEL, REAR .....                                       | 60 - 22     |
| 2J10        | UNLOADING AUGER DRIVE CONTROL .....            | 130 - 8     | 1J3         | WHEEL, WEIGHTS .....                                    | 60 - 22     |
| 3B12        | UNLOADING AUGER DRIVES .....                   | 170 - 23    | 1F21        | WINDSHIELD WIPER AND BRACKET .....                      | 40 - 30     |
| 2J17        | UNLOADING AUGER HINGE AND SWING .....          | 130 - 15    | 1F21        | WIPER HARNESS .....                                     | 40 - 30     |
| 2J18        | UNLOADING AUGER HOUSING, OUTER .....           | 130 - 16    | 1G15        | WIRING AND TERMINAL KIT .....                           | 40 - 50     |
| 2B7         | UNLOADING AUGER SWING CONTROL VALVE .....      | 70 - 12     | 1G15        | WIRING CRIMPING TOOL .....                              | 40 - 50     |
| 2B8         | UNLOADING AUGER SWING CONTROL VALVE .....      | 70 - 13     | 2K13        | WIRING HARNESS .....                                    | 160 - 9     |
| 2B11        | UNLOADING AUGER SWING HOSES AND LINE.....      | 70 - 17     | 2K14        | WIRING HARNESS .....                                    | 160 - 10    |
| 2B10        | UNLOADING AUGER SWING HYD.CYLINDER KIT .....   | 70 - 16     | 1F6         | WIRING HARNESS, ENGINE .....                            | 40 - 13     |
| 2B9         | UNLOADING AUGER SWING HYDRAULIC CYLINDER ....  | 70 - 15     | 1E20        | WIRING HARNESS, FRONT .....                             | 40 - 2      |
| 2B9         | UNLOADING AUGER SWING HYDRAULIC MOUNTING ..    | 70 - 15     | 1E21        | WIRING HARNESS, MIDDLE .....                            | 40 - 3      |
| 2B12        | UNLOADING AUGER SWING LINE .....               | 70 - 18     | 1E22        | WIRING HARNESS, REAR .....                              | 40 - 4      |
| 2J11        | UNLOADING AUGER, AUXILIARY, DR. CONTROL .....  | 130 - 9     | 1E22        | WIRING HARNESS, TAIL LAMP.....                          | 40 - 4      |
| 2J15        | UNLOADING AUGER, INNER .....                   | 130 - 13    | 1F12        | WIRING ON ENGINE, AIR CONDITIONING.....                 | 40 - 20     |
| 2J13        | UNLOADING AUGER, INNER COVER .....             | 130 - 11    | 1F13        | WIRING ON ENGINE, AIR CONDITIONING.....                 | 40 - 21     |
| 2J17        | UNLOADING AUGER, OUTER .....                   | 130 - 15    | 1G15        | WIRING STRIPPING TOOL .....                             | 40 - 50     |
| 2J21        | UNLOADING AUGERS DRIVE SHAFT, AUXILIARY .....  | 130 - 19    | 1F11        | WIRING, OPERATOR'S CAB ELECTRICAL.....                  | 40 - 19     |
| 2I25        | UPPER AUGER DRIVE TIGHTENER, TAILINGS.....     | 120 - 74    | 1G21        | WIRING, SUPPLEMENTARY TERMINALS AND<br>CONNECTORS ..... | 40 - 56     |
| 2F17        | UPPER SHAFT, FEEDER HOUSE .....                | 110 - 24    |             |   |             |
| 2I24        | UPPER TAILINGS AUGER AND HOUSING.....          | 120 - 73    |             |   |             |
| 2I25        | UPPER TAILINGS AUGER DRIVE TIGHTENER .....     | 120 - 74    |             |   |             |
|             | V  |             |             |   |             |
| 2E7         | VALVE AND COMPRESSOR, OPERATOR'S CAB .....     | 90 - 26     |             |   |             |
| 2B13        | VALVE SUPPORT .....                            | 70 - 19     |             |   |             |
| 2B13        | VALVE, AUX. UNLDG. AUGER SELECTOR .....        | 70 - 19     |             |   |             |
| 2K5         | VALVE, CONTROL, SOLENOID (AUTO HEIGHT).....    | 160 - 1     |             |   |             |
| 2K7         | VALVE, DROP RATE (AUTO HEIGHT) .....           | 160 - 3     |             |   |             |
| 2E13        | VALVE, EXPANSION, AIR CONDITIONER .....        | 90 - 33     |             |   |             |
| 2A23        | VALVE, HYDRAULIC CONTROL.....                  | 70 - 4      |             |   |             |
| 2B1         | VALVE, HYDRAULIC CONTROL.....                  | 70 - 6      |             |   |             |
| 2B25        | VALVE, HYDROSTATIC DR.REEL FLOW CONTROL.....   | 70 - 34     |             |   |             |
| 1I18        | VALVE, STEERING CONTROL .....                  | 60 - 12     |             |   |             |
| 2B7         | VALVE, UNLOADING AUGER SWING CONTROL .....     | 70 - 12     |             |   |             |
| 2B8         | VALVE, UNLOADING AUGER SWING CONTROL .....     | 70 - 13     |             |   |             |
| 2C11        | VALVE,PRES.CTL.AND MTG.BKT,ACCUMULATOR .....   | 70 - 45     |             |   |             |
| 1B18        | VALVES AND ROCKER ARMS.....                    | 20 - 25     |             |   |             |
| 1B19        | VALVES AND ROCKER ARMS.....                    | 20 - 26     |             |   |             |
| 2E9         | VALVES, SERICE, COMPRESSOR CLUTCH .....        | 90 - 28     |             |   |             |
| 2F15        | VARIABLE BELT DRIVE SHIELD .....               | 110 - 22    |             |   |             |
| 2C4         | VARIABLE DRIVE FEEDER HOUSE HYD. HOSES .....   | 70 - 38     |             |   |             |
| 2C3         | VARIABLE DRIVE FEEDER HOUSE OIL LINES .....    | 70 - 37     |             |   |             |
| 2B4         | VARIABLE SPEED CYLINDER CONTROL-SEP.SIDE.....  | 70 - 9      |             |   |             |
| 2G15        | VARIABLE SPEED CYLINDER TACHOMETER .....       | 120 - 11    |             |   |             |
| 1B10        | VENTILATOR TUBE, ENGINE.....                   | 20 - 17     |             |   |             |



# 1A20

ENGINE

X3377 -UN-07NOV94

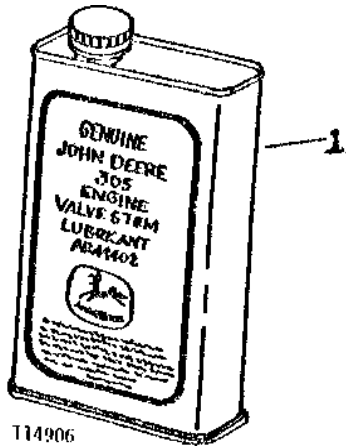
## TORQ-GARD SUPREME ENGINE OIL



| KEY | PART NO. | PART NAME | QTY | SERIAL NO.             | REMARKS |
|-----|----------|-----------|-----|------------------------|---------|
| ..  | AR63980  | OIL       | 1   | (237 ML) (SAE 5W/20)   |         |
| ..  | AR63979  | OIL       | 1   | (237 ML) (SAE 30)      |         |
| ..  | AR63228  | OIL       | 1   | (946 ML) (SAE 5W/20)   |         |
| ..  | AR63223  | OIL       | 1   | (946 ML) (SAE 10W/20)  |         |
| ..  | AR63218  | OIL       | 1   | (946 ML) (SAE 30)      |         |
| ..  | AR63229  | OIL       | 1   | (18.9 L) (SAE 5W/20)   |         |
| ..  | AR63224  | OIL       | 1   | (18.9 L) (SAE 10W/20)  |         |
| ..  | AR63219  | OIL       | 1   | (18.9 L) (SAE 30)      |         |
| ..  | AR63230  | OIL       | 1   | (208.5 L) (SAE 5W/20)  |         |
| ..  | AR63227  | OIL       | 1   | (208.5 L) (SAE 10W/20) |         |
| ..  | AR63222  | OIL       | 1   | (208.5 L) (SAE 30)     |         |

## ENGINE VALVE STEM LUBRICANT

T14906 -UN-01JAN94



T14906

| KEY | PART NO. | PART NAME | QTY | SERIAL NO.  | REMARKS |
|-----|----------|-----------|-----|-------------|---------|
| 1   | AR44402  | OIL       | 1   | (0.9 L) CAN |         |

---

MEMORANDA

# 1A21

ENGINE

---

**CYLINDER LINER PACKING LUBRICANT  
(NOT ILLUSTRATED)**

| KEY | PART NO. | PART NAME | QTY | SERIAL NO.  | REMARKS |
|-----|----------|-----------|-----|-------------|---------|
| ..  | AR54749  | LUBRICANT | 1   | (0.9 L) CAN |         |

---

**KIT FOR OFF-SEASON STORAGE  
(NOT ILLUSTRATED)**

| KEY | PART NO. | PART NAME | QTY | SERIAL NO. | REMARKS   |
|-----|----------|-----------|-----|------------|---|
| ..  | AR41785  | KIT       | 1   |            | KIT, OFF-SEASON STORAGE, FOR ENGINE POWERED EQUIPMENT, THIS KIT CONTAINS QUART (0.9L) CAN OF INTERNAL CORROSION INHIBITOR, 1 ROLL OF TAPE AND 6 PLASTIC BAGS, (SUB FOR AR41870) |

---

**STOP LEAK AND COOLANT CONDITIONER  
(NOT ILLUSTRATED)**

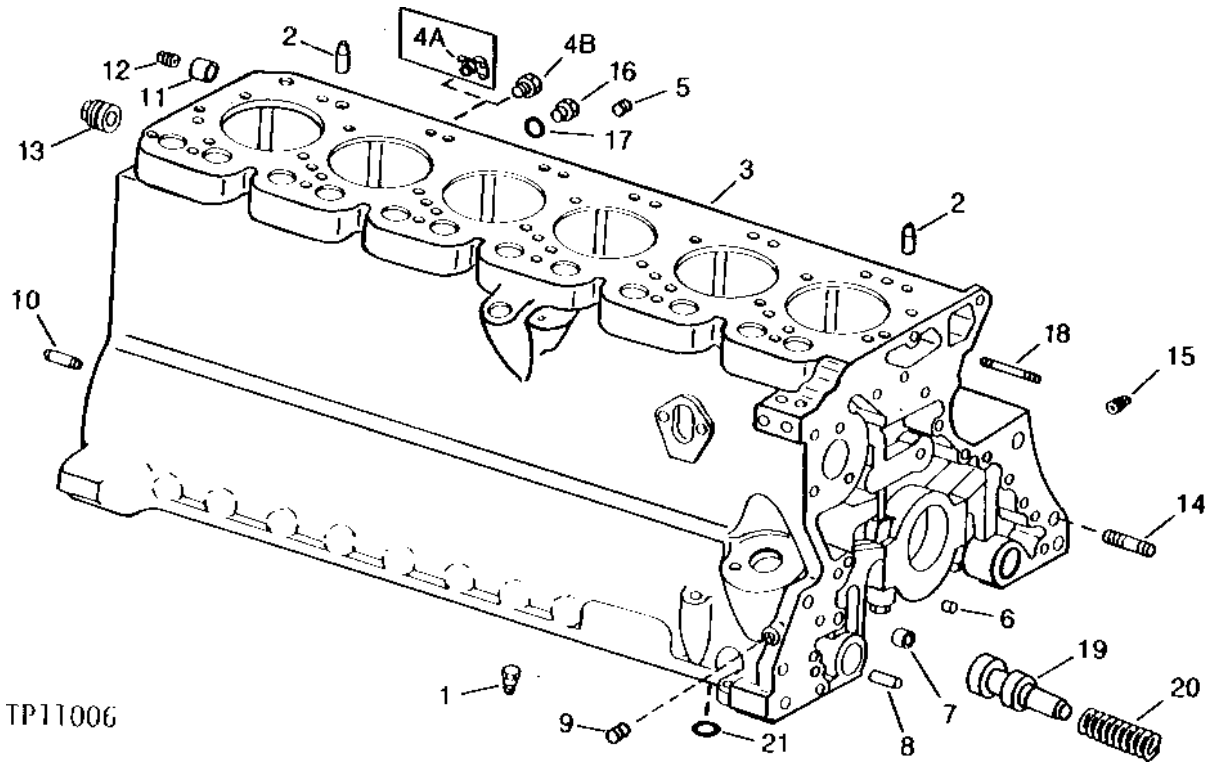
| KEY | PART NO. | PART NAME | QTY | SERIAL NO. | REMARKS                          |
|-----|----------|-----------|-----|------------|----------------------------------|
| ..  | RE12842  | COOLANT   | 1   |            | .91 KG (32 OZ.) (SUB FOR T19566) |
| ..  | T11847   | SEALANT   | 1   |            | (NO LONGER AVAILABLE)            |

# 1A22

ENGINE

## CYLINDER BLOCK (6329DH)

TP11006 -UN-01JAN94



TP11006

| KEY | PART NO. | PART NAME      | QTY | ENGINE SERIAL NO. | REMARKS   |
|-----|----------|----------------|-----|-------------------|---|
| 1   | R54802   | ORIFICE        | 6   |                   |   |
| 2   | R48685   | DOWEL PIN      | 2   |                   |   |
| 3   | AR64406  | CYLINDER BLOCK | 1   | -566498           | (SUB FOR R26241, THIS APPLICATION)<br>WITH MAIN BEARING CAPS, NIPPLE, SLEEVE,<br>BUSHING, DOWEL PINS, PIPE PLUGS, STUDS,<br>PISTON COOLING ORIFICES, CAP SCREWS AND<br>WASHERS, (MARKED R55012, R55037 OR R72968)                         |
|     | RE19872  | CYLINDER BLOCK | 1   | 566499-           | (SUB RE19872, R46625, R73139 AND R73140)<br>WITH MAIN BEARING CAPS, NIPPLE, SLEEVE,<br>BUSHING, DOWEL PINS, PIPE PLUGS, STUDS,<br>PISTON COOLING ORIFICES, CAP SCREWS AND<br>WASHERS, (MARKED R80405) (SUB FOR AR97027,<br>MARKED R72968) |
| 4A  | AT13740  | DRAIN VALVE    | 1   |                   |   |
| 4B  | R55233   | PIPE PLUG      | 1   |                   |   |
| 5   | 15H275   | PIPE PLUG      | 1   | 1/4"              |   |
| 6   | T18891   | CAP            | 2   |                   |   |
| 7   | R26493   | BUSHING        | 1   |                   |   |
| 8   | R26650   | DOWEL PIN      | 2   |                   |   |
| 9   | 15H563   | PIPE PLUG      | 1   | 3/8"              |   |
| 10  | R48685   | DOWEL PIN      | 2   | (SUB FOR A120R)   |   |
| 11  | 15H515   | PIPE BUSHING   | 1   |                   |   |
| 12  | 15H584   | PIPE PLUG      | 1   | 1/2"              |   |
| 13  | 15H665   | PIPE PLUG      | AR  | 3/4"              |   |
|     | 15H562   | PIPE PLUG      | AR  | 1"                |   |
| 14  | R32042   | STUD           | 1   |                   |   |

# 1A23

ENGINE

**CYLINDER BLOCK - CONTINUED  
(6329DH)**

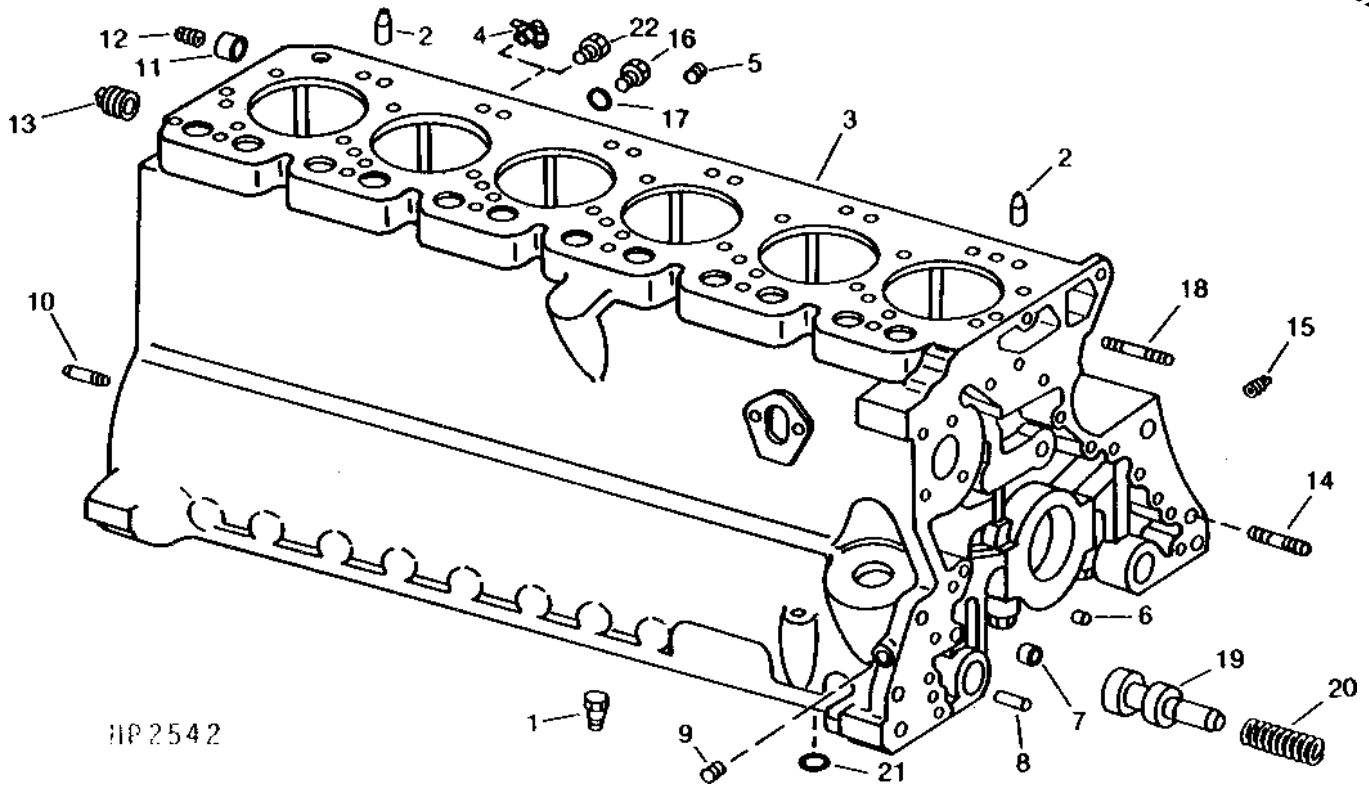
| KEY | PART NO. | PART NAME            | QTY | SERIAL NO. | REMARKS  |
|-----|----------|----------------------|-----|------------|--|
| 15  | 15H558   | PIPE PLUG            | 7   |            | 1/8", (SUB FOR RE12310)  |
| 16  | R39741   | DRAIN PLUG           | 1   |            |  |
| 17  | U13639   | O-RING               | 1   |            |  |
| 18  | T33279   | STUD                 | 1   |            |  |
| 19  | R73139   | VALVE                | 1   | 566499-    |  |
| 20  | R46625   | SPRING               | 1   | 566499-    |  |
| 21  | R75892   | O-RING               | AR  |            | (OIL PUMP TUBE)  |
| ..  | AR64413  | SHORT BLOCK ASSEMBLY | 1   | -566498    | WITH CYLINDER BLOCK ASSEMBLY, CRANKSHAFT, CAMSHAFT, PISTONS, CONNECTING RODS, BEARINGS, CYLINDER LINERS, FRONT PLATE, IDLER COVERS, TAPPETS AND OVERHAUL GASKET SET, (SUB RE19873) (ALSO ORDER R81514)                                 |
| ..  | RE19873  | SHORT BLOCK ASSEMBLY | 1   |            | WITH CYLINDER BLOCK ASSEMBLY, CRANKSHAFT, CAMSHAFT, PISTONS, CONNECTING RODS, BEARINGS, CYLINDER LINERS, FRONT PLATE, IDLER GEARS, TAPPETS, BYPASS VALVE, BYPASS SPRING AND OVERHAUL GASKET SET, (SUB FOR AR97040) (ALSO ORDER R81514) |

# 1A24

ENGINE

HP2542 -UN-01JAN94

## CYLINDER BLOCK (6359DH)



HP 2542

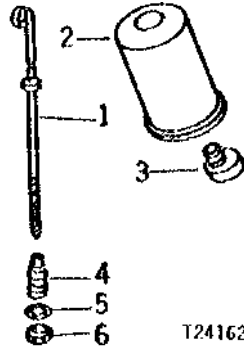
| KEY | PART NO. | PART NAME            | QTY | SERIAL NO. | REMARKS   |
|-----|----------|----------------------|-----|------------|---|
| 1   | R54802   | ORIFICE              | 6   |            |   |
| 2   | R26241   | DOWEL PIN            | 2   |            |   |
| 3   | RE19371  | CYLINDER BLOCK       | 1   |            | WITH MAIN BEARING CAPS, NIPPLE, SLEEVE, BUSHING, DOWEL PINS, PIPE PLUGS, STUDS, PISTON COOLING ORIFICES, CAP SCREWS AND WASHERS   |
| 4   | AT13740  | DRAIN VALVE          | AR  |            |   |
| 5   | 15H275   | PIPE PLUG            | 1   | 1/4"       |   |
| 6   | T18891   | CAP                  | 2   |            |   |
| 7   | R26493   | BUSHING              | 1   |            |   |
| 8   | R26650   | DOWEL PIN            | 2   |            |   |
| 9   | 15H255   | PIPE PLUG            | 1   | 3/8"       |   |
| 10  | R48685   | DOWEL PIN            | 2   |            |   |
| 11  | 15H515   | PIPE BUSHING         | 1   |            |   |
| 12  | 15H584   | PIPE PLUG            | 1   | 1/2"       |   |
| 13  | 15H665   | PIPE PLUG            | 1   | 3/4"       |   |
| 14  | R32042   | STUD                 | 1   |            |   |
| 15  | 15H558   | PIPE PLUG            | 7   | 1/8"       |   |
| 16  | R39741   | DRAIN PLUG           | 1   |            |   |
| 17  | U13639   | O-RING               | 1   |            |   |
| 18  | T33279   | STUD                 | 1   |            |   |
| 19  | R73139   | VALVE                | 1   |            |   |
| 20  | R46625   | SPRING               | 1   |            |   |
| 21  | R75892   | O-RING               | 1   |            | (OIL PUMP TUBE)   |
| 22  | R55233   | PIPE PLUG            | 1   |            |   |
| ..  | RE19372  | SHORT BLOCK ASSEMBLY | 1   |            | WITH CYLINDER BLOCK ASSEMBLY, CRANKSHAFT, CAMSHAFT, PISTONS, CONNECTING RODS, BEARINGS, CYLINDER LINERS, FRONT PLATE, IDLER GEARS, TAPPETS, BYPASS VALVE, BYPASS SPRING AND OVERHAUL GASKET SET |

# 1A25

ENGINE

## ENGINE OIL FILTER AND DIPSTICK (6329DH)

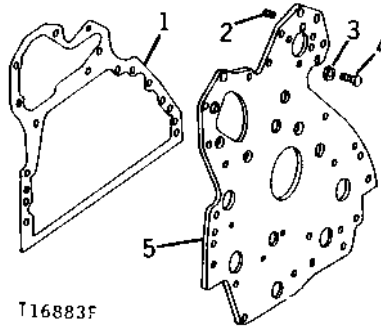
T24162 -UN-01JAN94



| KEY | PART NO. | PART NAME       | QTY | SERIAL NO. | REMARKS |
|-----|----------|-----------------|-----|------------|---------|
| 1   | AT23141  | DIPSTICK        | 1   |            |         |
| 2   | T19044   | OIL FILTER      | 1   |            |         |
| 3   | T23435   | THREADED NIPPLE | 1   |            |         |
| 4   | R49824   | DIPSTICK TUBE   | 1   |            |         |
| 5   | 14H826   | NUT             | 1   | 1/2"       |         |
| 6   | R27976   | O-RING          | 1   |            |         |

## ENGINE FRONT PLATE (6329DH)

T16883 -UN-01JAN94



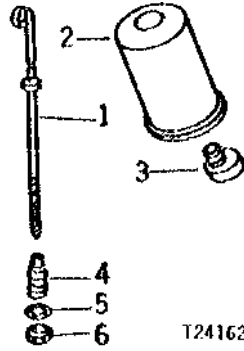
| KEY | PART NO. | PART NAME | QTY | SERIAL NO. | REMARKS   |
|-----|----------|-----------|-----|------------|---|
| 1   | T24965   | GASKET    | 1   | -566498    | (SUB R73140)  |
|     | R73140   | GASKET    | 1   |            |   |
| 2   | AT21191  | SET SCREW | 5   |            |   |
|     | AT22919  | SET SCREW | 2   |            |   |
| 3   | 12H324   | WASHER    | 5   | 3/8"       |   |
| 4   | T20166   | SCREW     | 5   |            |   |
| 5   | R56736   | PLATE     | 1   |            | (ALSO ORDER FIVE AT21191 SET SCREWS AND TWO AT22919 SET SCREWS) |

# 1B1

ENGINE

T24162 -UN-01JAN94

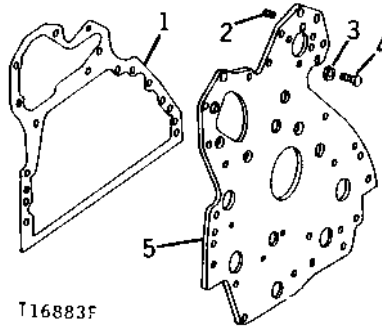
## ENGINE OIL FILTER AND DIPSTICK (6359DH)



| KEY | PART NO. | PART NAME       | QTY | SERIAL NO. | REMARKS |
|-----|----------|-----------------|-----|------------|---------|
| 1   | AT23141  | DIPSTICK        | 1   |            |         |
| 2   | T19044   | OIL FILTER      | 1   |            |         |
| 3   | T23435   | THREADED NIPPLE | 1   |            |         |
| 4   | R49824   | DIPSTICK TUBE   | 1   |            |         |
| 5   | R10093   | O-RING          | 1   |            |         |
| 6   | 14H826   | NUT             | 1   | 1/2"       |         |

## ENGINE FRONT PLATE (6359DH)

T16883 -UN-01JAN94



| KEY | PART NO. | PART NAME | QTY | SERIAL NO. | REMARKS  |
|-----|----------|-----------|-----|------------|--|
| 1   | R73140   | GASKET    | 1   |            |  |
| 2   | AT21191  | SET SCREW | 8   |            |  |
|     | AT22919  | SET SCREW | 2   |            |  |
| 3   | 12H324   | WASHER    | 5   | 3/8"       |  |
| 4   | T20166   | SCREW     | 5   |            |  |
| 5   | R75470   | PLATE     | 1   |            | (ALSO ORDER (8) AT21191 SET SCREWS AND (2) AT22919 SET SCREWS) |

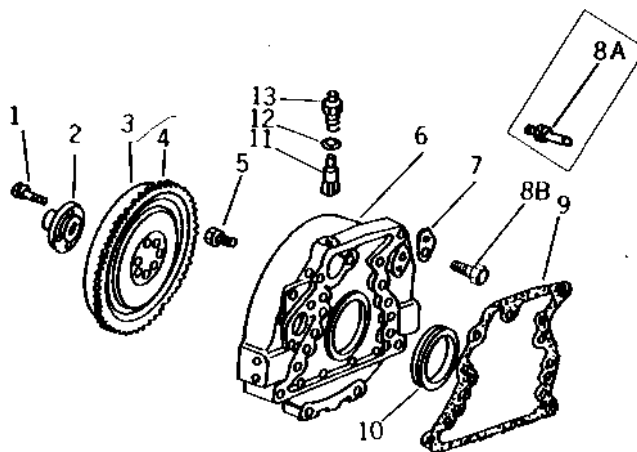


# 1B2

ENGINE

## FLYWHEEL HOUSING (6329DH)

TP11557 -UN-01JAN94



TP11557

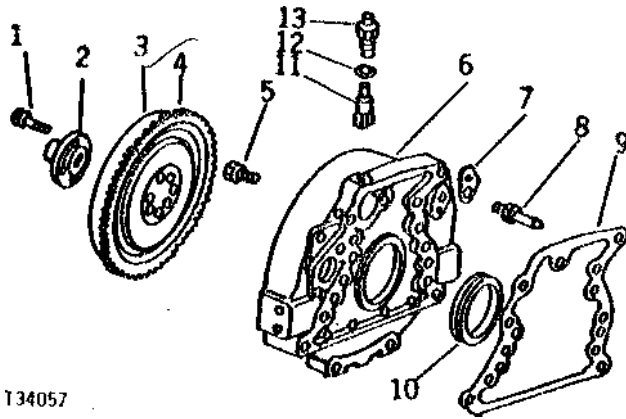
| KEY | PART NO. | PART NAME | QTY | SERIAL NO.                         | REMARKS |
|-----|----------|-----------|-----|------------------------------------|---------|
| 1   | 19H2735  | CAP SCREW | 4   | 1/2" X 2"                          |         |
| 2   | T32230   | HUB       | 1   |                                    |         |
| 3   | AR52725  | FLYWHEEL  | 1   |                                    |         |
| 4   | T20088   | GEAR      | 1   | (142 TEETH)                        |         |
| 5   | 19H2545  | CAP SCREW | 8   | 3/8" X 1-3/8"                      |         |
| 6   | T25115   | HOUSING   | 1   |                                    |         |
| 7   | T20089   | COVER     | 1   |                                    |         |
| 8A  | T20090   | SCREW     | 1   | (SUB 19H2351)                      |         |
| 8B  | 19H2351  | CAP SCREW | 1   | 1/2" X 1/2"                        |         |
| 9   | R70483   | GASKET    | 1   | (SUB FOR R49516, THIS APPLICATION) |         |
| 10  | RE17831  | SEAL      | 1   | (SUB FOR AT22965 AND AR92893)      |         |
| 11  | T22536   | GEAR      | 1   |                                    |         |
| 12  | H1058R   | WASHER    | 1   |                                    |         |
| 13  | T22537   | FITTING   | 1   |                                    |         |

# 1B3

ENGINE

T34057 -UN-01JAN94

## FLYWHEEL HOUSING (6359DH)



T34057

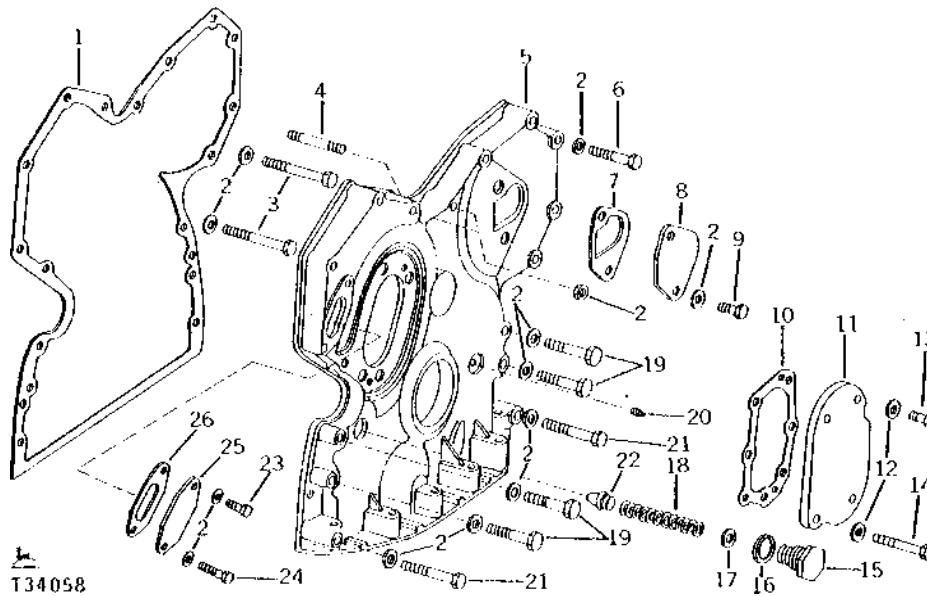
| KEY | PART NO. | PART NAME | QTY | SERIAL NO. | REMARKS       |
|-----|----------|-----------|-----|------------|---------------|
| 1   | 19H2735  | CAP SCREW | 4   |            | 1/2" X 2"     |
| 2   | T32230   | HUB       | 1   |            |               |
| 3   | AR52725  | FLYWHEEL  | 1   |            |               |
| 4   | T20088   | GEAR      | 1   |            | (142 TEETH)   |
| 5   | 19H2545  | CAP SCREW | 8   |            | 3/8" X 1-3/8" |
| 6   | T25115   | HOUSING   | 1   |            |               |
| 7   | T20089   | COVER     | 1   |            |               |
| 8   | T20090   | SCREW     | 1   |            |               |
| 9   | R70483   | GASKET    | 1   |            |               |
| 10  | AR92893  | SEAL      | 1   |            |               |
| 11  | T22536   | GEAR      | 1   |            |               |
| 12  | H1058R   | WASHER    | 1   |            |               |
| 13  | T22537   | FITTING   | 1   |            |               |

# 1B4

ENGINE

T34058 -UN-01JAN94

## TIMING GEAR COVER



| KEY | PART NO. | PART NAME    | QTY | SERIAL NO.               | REMARKS   |
|-----|----------|--------------|-----|--------------------------|---|
| 1   | T20155   | GASKET       | 1   |                          |   |
| 2   | 24H1304  | WASHER       | 18  | 13/32" X 23/32" X 0.120" |   |
| 3   | 19H1765  | CAP SCREW    | 2   | 3/8" X 1-3/4"            |   |
| 4   | T33279   | STUD         | 2   |                          |   |
| 5   | AR67821  | COVER        | 1   |                          | (ALSO ORDER T20272 COVER, T20273 GASKET, (3) 19H2284 CAP SCREWS, 19H1726 CAP SCREW, (4) 24H1304 WASHERS AND 15H275 PIPE PLUG) |
| 6   | 19H1801  | CAP SCREW    | 6   | 3/8" X 2"                |   |
| 7   | R78366   | GASKET       | 1   |                          | (SUB FOR R69260)  |
| 8   | T20362   | COVER        | 1   |                          |   |
| 9   | 19H2284  | CAP SCREW    | 2   | 3/8" X 7/8"              |   |
| 10  | T20273   | GASKET       | 1   |                          |   |
| 11  | T20272   | COVER        | 1   |                          |   |
| 12  | 24H1304  | WASHER       | 4   | 13/32" X 23/32" X 0.120" |   |
| 13  | 19H2284  | CAP SCREW    | 3   | 3/8" X 7/8"              |   |
| 14  | 19H246   | CAP SCREW    | 1   | 3/8" X 1-3/4"            |   |
| 15  | T27657   | FITTING PLUG | 1   |                          |   |
| 16  | A4827R   | WASHER       | 1   |                          |   |
| 17  | 24H1290  | WASHER       | 1   | 21/64" X 3/4" X 0.035"   |   |
| 18  | T27658   | SPRING       | 1   |                          |   |
| 19  | 19H2023  | CAP SCREW    | 1   | 3/8" X 3-1/4"            |   |
| 20  | 15H275   | PIPE PLUG    | 1   | 1/4"                     |   |
| 21  | 19H268   | CAP SCREW    | 2   | 3/8" X 2-1/2"            |   |
| 22  | R83169   | VALVE        | 1   |                          | (SUB FOR R51516)  |
| 23  | 19H1801  | CAP SCREW    | 1   | 3/8" X 2"                |   |
| 24  | 19H1134  | CAP SCREW    | 1   | 3/8" X 3/4"              |   |
| 25  | T23260   | COVER        | 1   |                          |   |
| 26  | T20336   | GASKET       | 1   |                          |   |
| 27  | 14H812   | NUT          | 2   | 3/8"                     |   |

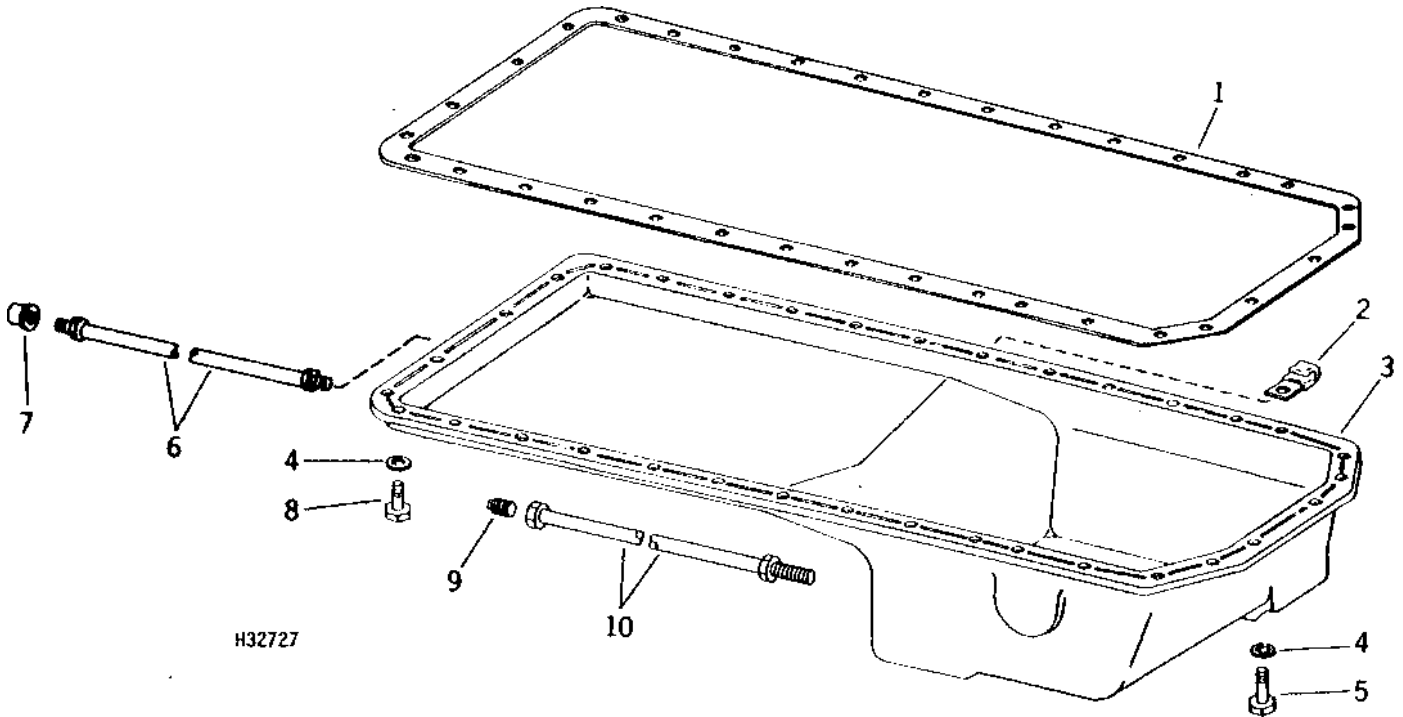
# 1B5

ENGINE

## OIL PAN (6329DH)

H32727

-UN-01JAN94



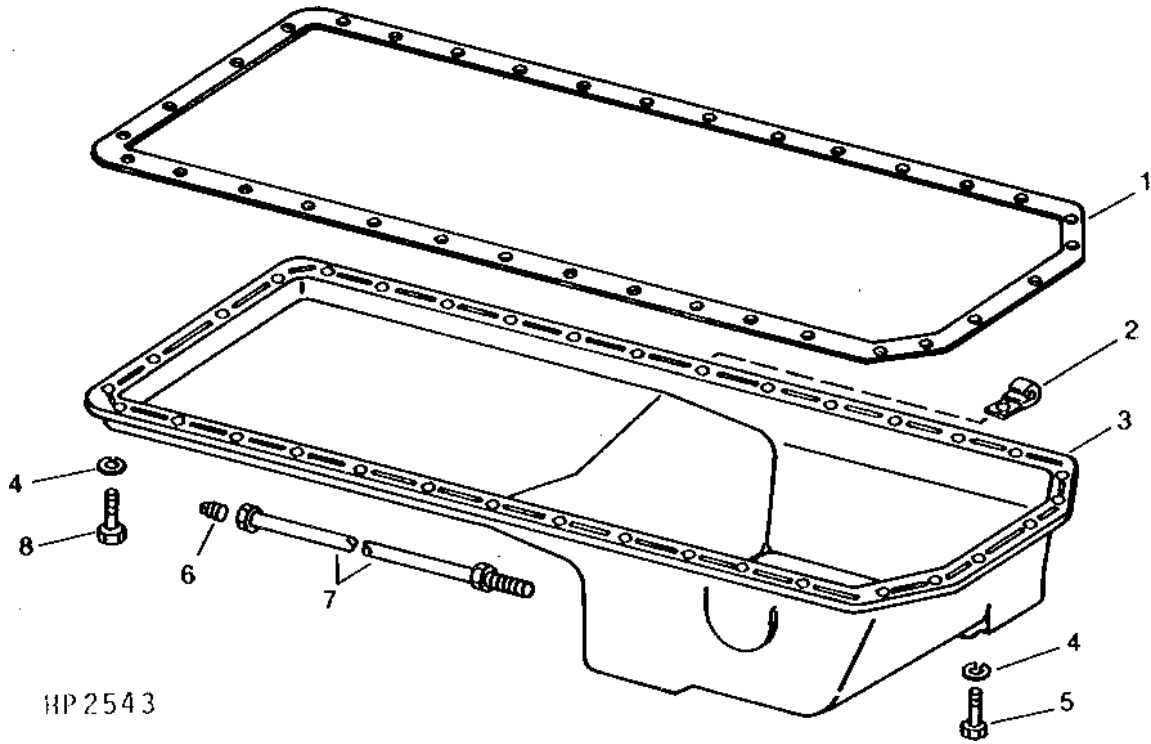
| KEY | PART NO. | PART NAME      | QTY | SERIAL NO. | REMARKS                      |
|-----|----------|----------------|-----|------------|------------------------------|
| 1   | T20205   | GASKET         | 1   |            |                              |
| 2   | T19935   | CLAMP          | 1   |            | FUEL LINE                    |
| 3   | T31219   | OIL PAN        | 1   |            |                              |
| 4   | 12H304   | LOCK WASHER    | 36  |            | 3/8"                         |
| 5   | 19H1800  | CAP SCREW      | 6   |            | 3/8" X 1-1/2"                |
| 6   | AU11672  | HOSE           | 1   | -421411    | (SUB AR80532 AND 15H584)     |
| 7   | 15H3     | FITTING        | 1   |            | 1/2"                         |
| 8   | 19H2552  | CAP SCREW      | 29  |            | 3/8" X 1-1/8"                |
|     | 19H1800  | CAP SCREW      | 29  |            | 3/8" X 1-1/2"                |
| 9   | 15H584   | PIPE PLUG      | 1   |            | 1/2"                         |
| 10  | AR80532  | HYDRAULIC HOSE | 1   |            | 1/2" X 1 168 MM (46") X 1/2" |

# 1B6

ENGINE

HP2543 -UN-01JAN94

OIL PAN  
(6359DH)



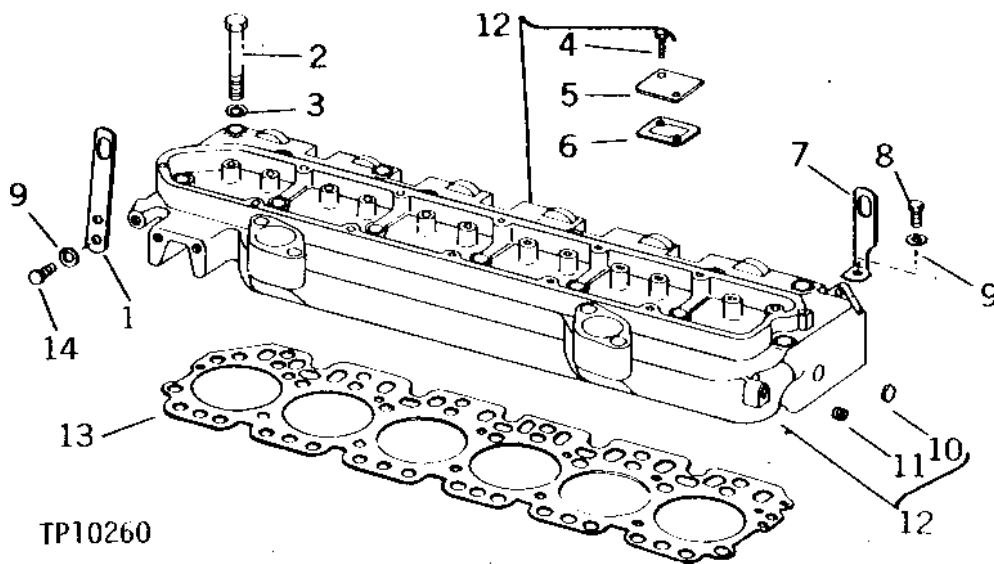
| KEY | PART NO. | PART NAME      | QTY | SERIAL NO. | REMARKS       |
|-----|----------|----------------|-----|------------|---------------|
| 1   | T20205   | GASKET         | 1   |            |               |
| 2   | T19935   | CLAMP          | 1   |            | FUEL LINE     |
| 3   | T31219   | OIL PAN        | 1   |            |               |
| 4   | 12H304   | LOCK WASHER    | 36  |            | 3/8"          |
| 5   | 19H1800  | CAP SCREW      | 6   |            | 3/8" X 1-1/2" |
| 6   | 15H584   | PIPE PLUG      | 1   |            | 1/2"          |
| 7   | AR80532  | HYDRAULIC HOSE | 1   |            |               |
| 8   | 19H2552  | CAP SCREW      | 29  |            | 3/8" X 1-1/8" |
|     | 19H1800  | CAP SCREW      | 29  |            | 3/8" X 1-1/2" |

# 1B7

ENGINE

## CYLINDER HEAD (6329DH)

TP10260 -UN-01JAN94



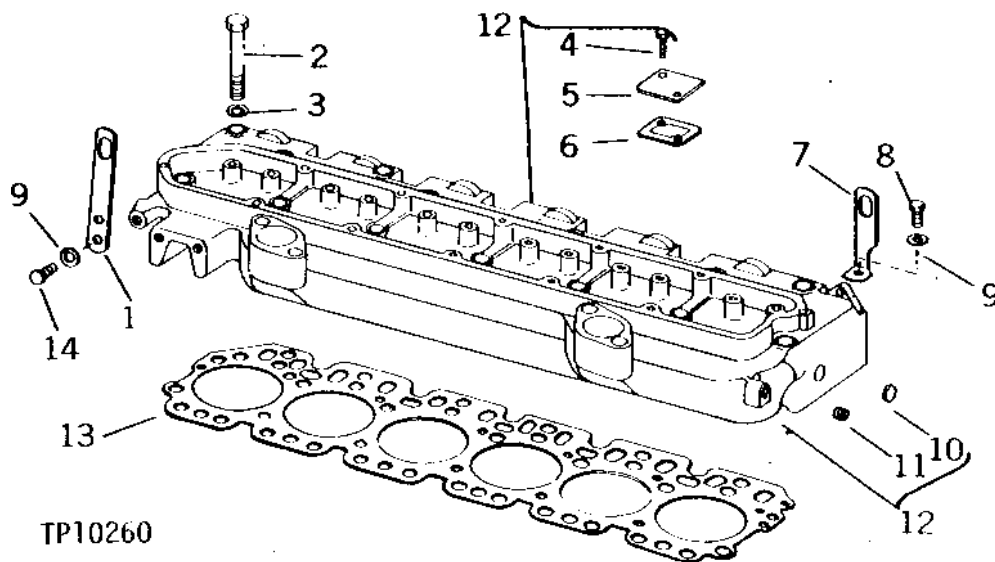
| KEY | PART NO. | PART NAME                   | QTY | SERIAL NO.  | REMARKS |
|-----|----------|-----------------------------|-----|---|---------|
| 1   | T26509   | STRAP                       | 1   |   |         |
| 2   | R53223   | CAP SCREW                   | 23  | 1/2" X 4-1/4"   |         |
|     | R53219   | CAP SCREW                   | 3   | 1/2" X 5", (USED WITH BLOCK MARKED R53260)                                  |         |
| 3   | T20168   | WASHER                      | 23  |   |         |
| 4   | 19H1134  | CAP SCREW                   | 2   | 3/8" X 3/4"   |         |
| 5   | R56725   | COVER                       | 1   |   |         |
| 6   | R54641   | GASKET                      | 1   |   |         |
| 7   | T26508   | STRAP                       | 1   |   |         |
| 8   | 19H1815  | CAP SCREW                   | 1   | 1/2" X 1-1/4"   |         |
| 9   | 12H301   | LOCK WASHER                 | 2   | 1/2"  |         |
| 10  | A3910R   | CAP                         | 2   |   |         |
| 11  | 15H559   | PIPE PLUG                   | 1   | 1/4"  |         |
| 12  | AR65596  | CYLINDER HEAD               | 1   | (MARKED R55950) (ALSO ORDER AR87693 SWITCH BELOW COMBINE SERIAL NO. 600000) |         |
| 13  | R80243   | ENGINE CYLINDER HEAD GASKET | 1   | (SUB FOR R59449)  |         |
| 14  | 19H1895  | CAP SCREW                   | 1   | 1/2" X 3/4"   |         |

# 1B8

ENGINE

TP10260 -UN-01JAN94

## CYLINDER HEAD (6359DH)



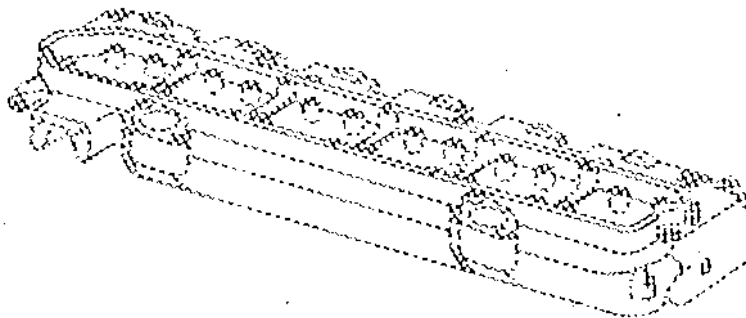
| KEY | PART NO. | PART NAME     | QTY | SERIAL NO.                            | REMARKS |
|-----|----------|---------------|-----|---------------------------------------|---------|
| 1   | T26509   | STRAP         | 1   |                                       |         |
| 2   | T20182   | CAP SCREW     | 23  | 1/2" X 4-1/4"                         |         |
|     | R53219   | CAP SCREW     | 3   | 1/2" X 5", (USED WITH WATER MANIFOLD) |         |
| 3   | T20168   | WASHER        | 23  |                                       |         |
| 4   | 19H1134  | CAP SCREW     | 2   | 3/8" X 3/4"                           |         |
| 5   | R56725   | COVER         | 1   |                                       |         |
| 6   | R54641   | GASKET        | 1   |                                       |         |
| 7   | T26508   | STRAP         | 1   |                                       |         |
| 8   | 19H1815  | CAP SCREW     | 1   | 1/2" X 1-1/4"                         |         |
| 9   | 12H301   | LOCK WASHER   | 2   | 1/2"                                  |         |
| 10  | A3910R   | CAP           | 2   |                                       |         |
| 11  | 15H559   | PIPE PLUG     | 1   | 1/4"                                  |         |
| 12  | RE18931  | CYLINDER HEAD | 1   | (MARKED R81067)                       |         |
| 13  | R59449   | GASKET        | 1   |                                       |         |
| 14  | 19H444   | CAP SCREW     | 1   | 1/2" X 1"                             |         |

# 1B9

ENGINE

HP2239 -UN-01JAN94

## CYLINDER HEAD OVERHEAT WARNING SENSOR



HP2239

| KEY | PART NO. | PART NAME | QTY | SERIAL NO.  | REMARKS |
|-----|----------|-----------|-----|-------------|---------|
| 1   | AR87693  | SWITCH    | 1   | TEMPERATURE |         |



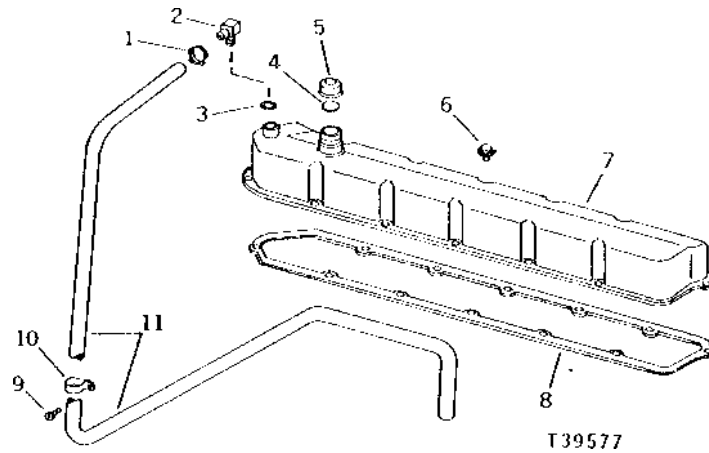
# 1B10

ENGINE

## ENGINE VENTILATOR TUBE AND ROCKER ARM COVER (6329DH)

T39577

-UN-01JAN94



| KEY | PART NO. | PART NAME          | QTY | SERIAL NO. | REMARKS                             |
|-----|----------|--------------------|-----|------------|-------------------------------------|
| 1   | M19356   | HOSE CLAMP         | 1   |            |                                     |
| 2   | AT25192  | FITTING            | 1   |            |                                     |
| 3   | R56463   | O-RING             | 1   |            | (SUB FOR R495R, THIS APPLICATION)   |
| 4   | T20328   | GASKET             | 1   |            |                                     |
| 5   | T20294   | CAP                | 1   |            |                                     |
| 6   | AR100124 | SCREW, WITH WASHER | 11  |            | (SUB FOR AR45530, THIS APPLICATION) |
|     | 12H302   | LOCK WASHER        | 11  |            | 1/4"                                |
|     | 12H302   | LOCK WASHER        | 11  |            | 1/4"                                |
| 7   | AT18188  | VALVE COVER        | 1   |            | (SUB FOR AT30694)                   |
| 8   | AR102260 | KIT                | 1   |            | (SUB FOR T20467)                    |
| 9   | 37H14    | SCREW              | 1   |            | NO. 10 X 1/2"                       |
| 10  | AM2985T  | CLIP               | 1   |            |                                     |
| 11  | H94255   | TUBE               | 1   |            |                                     |

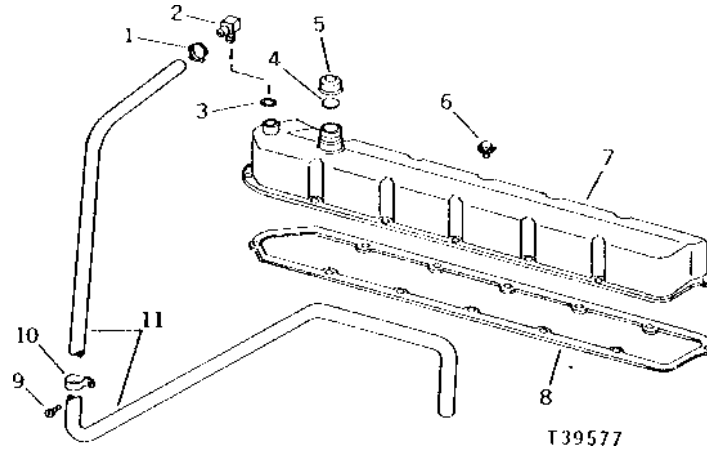
# 1B11

ENGINE

## ENGINE VENTILATOR TUBE AND ROCKER ARM COVER (6359DH)

T39577

-UN-01JAN94



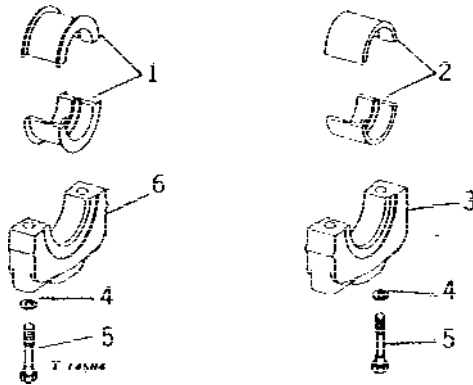
| KEY | PART NO. | PART NAME          | QTY | SERIAL NO. | REMARKS                           |
|-----|----------|--------------------|-----|------------|-----------------------------------|
| 1   | M19356   | HOSE CLAMP         | 1   |            |                                   |
| 2   | AT25192  | FITTING            | 1   |            |                                   |
| 3   | R56463   | O-RING             | 1   |            | (SUB FOR R495R, THIS APPLICATION) |
| 4   | T20328   | GASKET             | 1   |            |                                   |
| 5   | T20294   | CAP                | 1   |            |                                   |
| 6   | AR100124 | SCREW, WITH WASHER | 12  |            |                                   |
| 7   | AT18188  | VALVE COVER        | 1   |            |                                   |
| 8   | AR102260 | KIT                | 1   |            |                                   |
| 9   | 37H14    | SCREW              | 1   |            | NO. 10 X 1/2"                     |
| 10  | AM2985T  | CLIP               | 1   |            |                                   |
| 11  | H94255   | TUBE               | 1   |            |                                   |

# 1B12

ENGINE

## MAIN BEARING CAPS AND BEARINGS (6329DH)

T14504 -UN-01JAN94



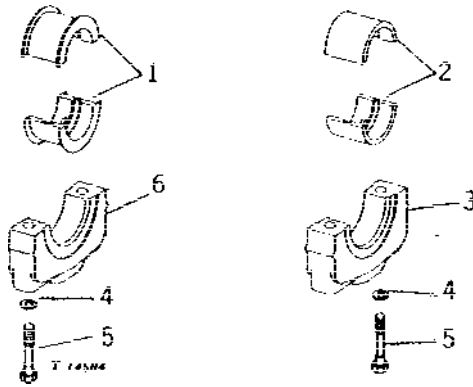
| KEY | PART NO. | PART NAME   | QTY | SERIAL NO. | REMARKS  |
|-----|----------|-------------|-----|------------|--|
| 1   | AT21139  | BEARING     | 1   |            | STANDARD REAR (SET OF (2) T23215)                        |
|     | AT21130  | BEARING     | 1   |            | 0.05 MM (.002") UNDERSIZE, REAR (SET OF (2) T23574)      |
|     | AT21132  | BEARING     | 1   |            | 0.25 MM (.010") UNDERSIZE, REAR (SET OF (2) T23576)      |
|     | AT21134  | BEARING     | 1   |            | 0.51 MM (.020") UNDERSIZE, REAR (SET OF (2) T23578)      |
|     | AT21136  | BEARING     | 1   |            | 0.76 MM (.030") UNDERSIZE, REAR (SET OF (2) T23580)      |
| 2   | AT21140  | BEARING     | 6   |            | STANDARD, PLAIN (SET OF (2) T23214)                      |
|     | AT21108  | BEARING     | 6   |            | 0.05 MM (.002") UNDERSIZE, PLAIN (SET OF (2) T23552)     |
|     | AT21110  | BEARING     | 6   |            | 0.25 MM (.010") UNDERSIZE, PLAIN (SET OF (2) T23554)     |
|     | AT21112  | BEARING     | 6   |            | 0.51 MM (.020") UNDERSIZE, PLAIN (SET OF (2) T23556)     |
|     | AT21114  | BEARING     | 6   |            | 0.76 MM (.030") UNDERSIZE, PLAIN (SET OF (2) T23558)     |
| 3   | AT21226  | CAP         | 6   | -402787    | FRONT AND CENTER, WITH SHIMS AND SET GAUGE, (SUB R65215) |
|     | R65215   | BEARING CAP | 6   |            | FRONT AND CENTER, (SUB FOR AR82294)                      |
| 4   | T20168   | WASHER      | 14  |            |  |
| 5   | T23474   | CAP SCREW   | 14  |            |  |
| 6   | AT21227  | CAP         | 1   | -402787    | REAR, WITH SHIMS AND SET GAUGE, (SUB R79089)             |
|     | R79089   | CAP         | 1   |            | REAR, (SUB FOR AR82295)                                  |

# 1B13

ENGINE

T14504 -UN-01JAN94

## MAIN BEARING CAPS AND BEARINGS (6359DH)



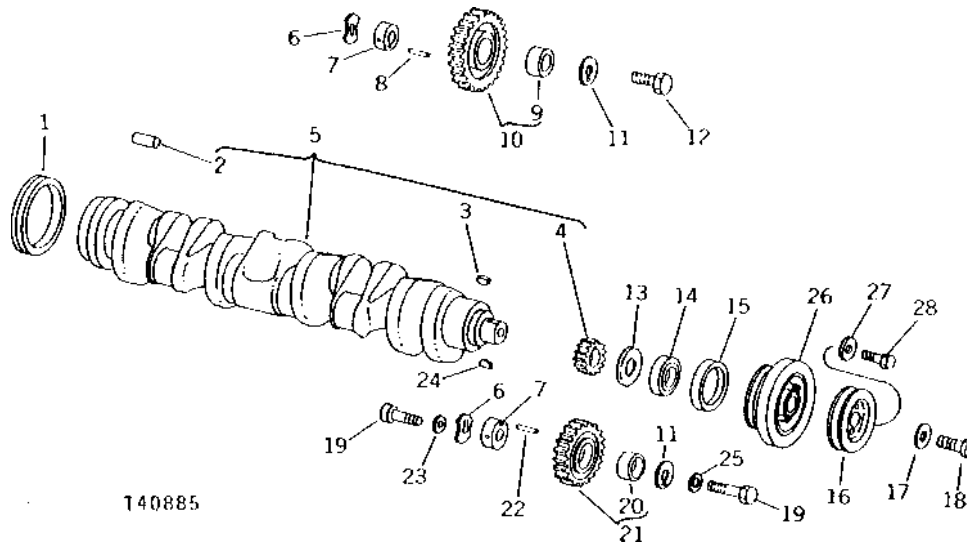
| KEY | PART NO. | PART NAME   | QTY | SERIAL NO.                                     | REMARKS |
|-----|----------|-------------|-----|--|---------|
| 1   | AT21139  | BEARING     | 1   | (SET OF TWO T23215)                            |         |
|     | AT21130  | BEARING     | 1   | (0.05 MM) UNDERSIZE, REAR (SET OF TWO T23574)  |         |
|     | AT21132  | BEARING     | 1   | (0.25 MM) UNDERSIZE, REAR (SET OF TWO T23576)  |         |
|     | AT21134  | BEARING     | 1   | (0.51 MM) UNDERSIZE, REAR (SET OF TWO T23578)  |         |
|     | AT21136  | BEARING     | 1   | (0.76 MM) UNDERSIZE, REAR (SET OF TWO T23580)  |         |
| 2   | AT21140  | BEARING     | 6   | (SET OF TWO T23214)                            |         |
|     | AT21108  | BEARING     | 6   | (0.05 MM) UNDERSIZE, PLAIN (SET OF TWO T23552) |         |
|     | AT21110  | BEARING     | 6   | (0.25 MM) UNDERSIZE, PLAIN (SET OF TWO T23554) |         |
|     | AT21112  | BEARING     | 6   | (0.51 MM) UNDERSIZE, PLAIN (SET OF TWO T23556) |         |
|     | AT21114  | BEARING     | 6   | (0.76 MM) UNDERSIZE, PLAIN (SET OF TWO T23558) |         |
| 3   | R65215   | BEARING CAP | 6   |  |         |
| 4   | T20168   | WASHER      | 14  |  |         |
| 5   | T23474   | CAP SCREW   | 14  |  |         |
| 6   | R79089   | CAP         | 1   | (REAR)   |         |

# 1B14

ENGINE

## CRANKSHAFT AND IDLER GEARS (6329DH)

T40885 -UN-01JAN94



T40885

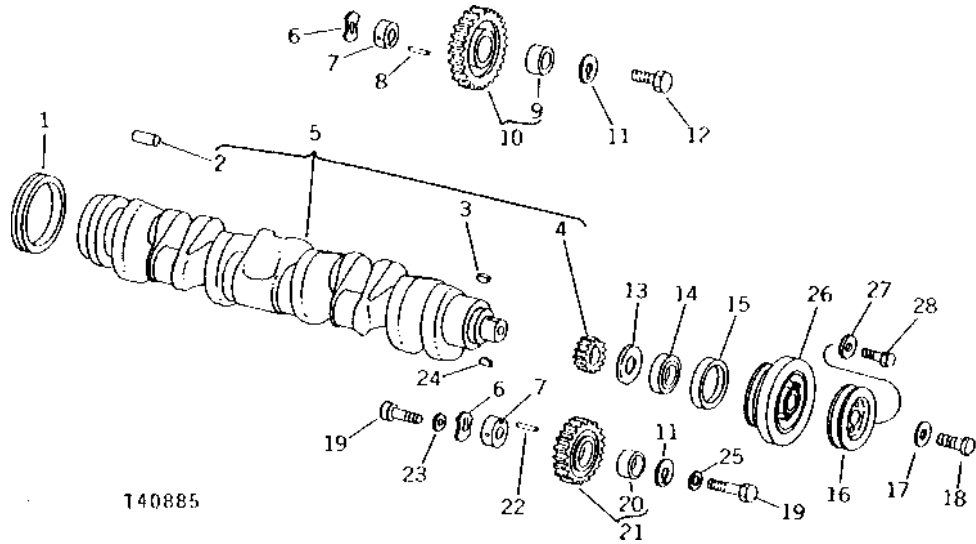
| KEY | PART NO. | PART NAME             | QTY | SERIAL NO. | REMARKS  |
|-----|----------|-----------------------|-----|------------|--|
| 1   | RE17831  | SEAL                  | 1   |            | (SUB FOR AT22965 AND AR92893)  |
| 2   | T26565   | DOWEL PIN             | 1   |            |  |
| 3   | 26H72    | SHAFT KEY             | 1   |            | 1/8" X 5/8"  |
| 4   | T20094   | GEAR                  | 1   |            | (24 TEETH)   |
| 5   | AT22562  | CRANKSHAFT            | 1   |            | (MARKED T23266 OR T23267)  |
| 6   | T26324   | THRUST WASHER         | 2   |            |  |
| 7   | T26323   | SHAFT                 | 2   |            |  |
| 8   | 34H283   | SPRING PIN            | 1   |            | 3/16" X 1-1/8"   |
| 9   | T20034   | BUSHING               | 1   |            |  |
| 10  | AR91660  | GEAR                  | 1   |            | (MARKED R70182) (55 TEETH) (SUB FOR AT18009, THIS APPLICATION) (MARKED T20029) |
| 11  | T26326   | THRUST WASHER         | 2   |            |  |
| 12  | T26327   | SCREW                 | 1   |            |  |
| 13  | T20046   | OIL SLINGER           | 1   |            |  |
| 14  | AR67942  | SEAL                  | 1   |            |  |
| 15  | T23270   | BUSHING               | 1   |            |  |
| 16  | R56788   | SHEAVE                | 1   |            |  |
| 17  | T20217   | WASHER                | 1   |            |  |
| 18  | 19H1721  | CAP SCREW             | 1   |            | 1/2" X 1-1/2"  |
| 19  | T26325   | SCREW                 | 2   |            |  |
| 20  | T26321   | BUSHING               | 1   |            |  |
| 21  | AT24252  | GEAR                  | 1   |            | (MARKED T26322) (45 TEETH)   |
| 22  | 34H286   | SPRING PIN            | 1   |            | 3/16" X 1-1/2"   |
| 23  | R42364   | WASHER                | 1   |            |  |
| 24  | 26H27    | SHAFT KEY             | 1   |            | 5/16" X 1-1/8"   |
| 25  | R42364   | WASHER                | 1   |            |  |
| 26  | RE12823  | PULLEY, WITH DAMPENER | 1   |            | (SUB FOR AR67820)  |
| 27  | T20168   | WASHER                | 2   |            |  |
| 28  | 19H456   | CAP SCREW             | 2   |            | 1/2" X 1-3/8"  |

# 1B15

ENGINE

## CRANKSHAFT AND IDLER GEARS (6359DH)

T40885 -UN-01JAN94



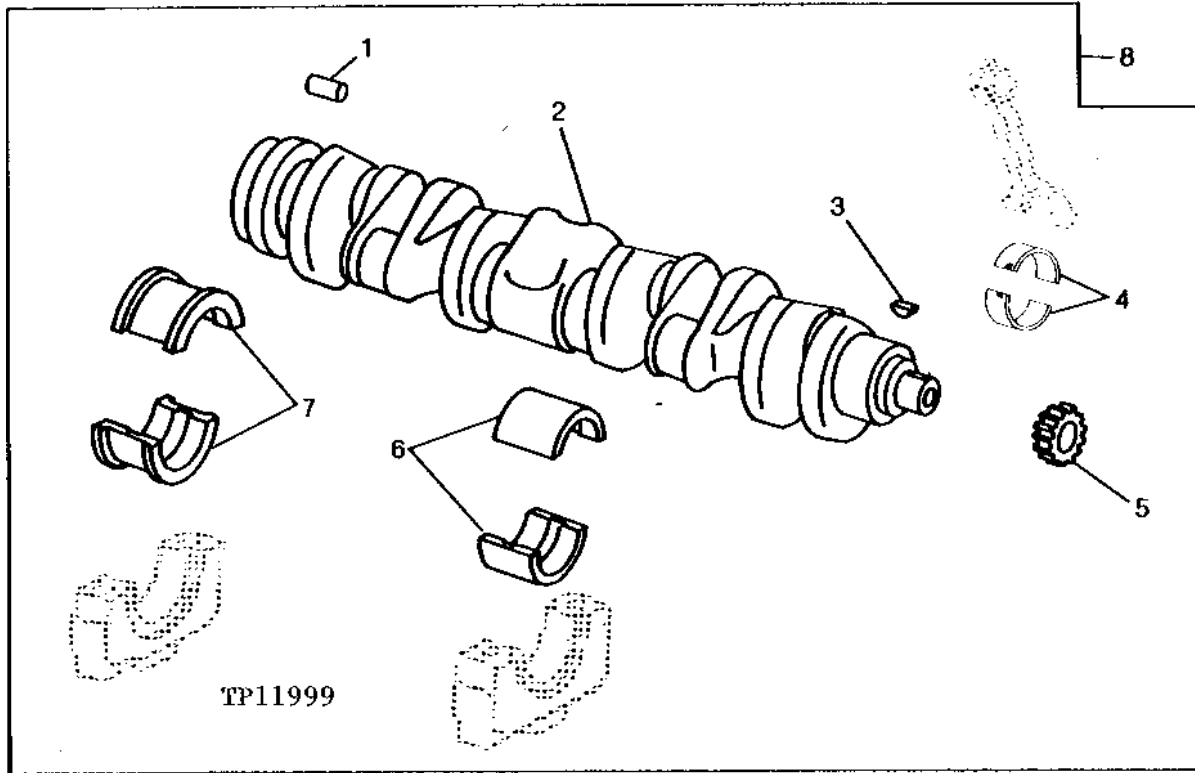
| KEY | PART NO. | PART NAME             | QTY | SERIAL NO. | REMARKS                    |
|-----|----------|-----------------------|-----|------------|----------------------------|
| 1   | AR92893  | SEAL                  | 1   |            |                            |
| 2   | T26565   | DOWEL PIN             | 1   |            |                            |
| 3   | 26H72    | SHAFT KEY             | 1   |            | 1/8" X 5/8"                |
| 4   | T20094   | GEAR                  | 1   |            | (24 TEETH)                 |
| 5   | AT22562  | CRANKSHAFT            | 1   |            | (MARKED T23266 OR T23267)  |
| 6   | T26324   | THRUST WASHER         | 2   |            |                            |
| 7   | T26323   | SHAFT                 | 2   |            |                            |
| 8   | 34H283   | SPRING PIN            | 1   |            | 3/16" X 1-1/8"             |
| 9   | T20034   | BUSHING               | 1   |            |                            |
| 10  | AR91660  | GEAR                  | 1   |            | (55 TEETH) (MARKED R70182) |
| 11  | T26326   | THRUST WASHER         | 2   |            |                            |
| 12  | T26327   | SCREW                 | 1   |            |                            |
| 13  | T20046   | OIL SLINGER           | 1   |            |                            |
| 14  | AR67942  | SEAL                  | 1   |            |                            |
| 15  | T23270   | BUSHING               | 1   |            |                            |
| 16  | R56788   | SHEAVE                | 1   |            |                            |
| 17  | T20217   | WASHER                | 1   |            |                            |
| 18  | 19H1721  | CAP SCREW             | 1   |            | 1/2" X 1-1/2"              |
| 19  | T26325   | SCREW                 | 2   |            |                            |
| 20  | T26321   | BUSHING               | 1   |            |                            |
| 21  | AT24252  | GEAR                  | 1   |            | (MARKED T26322) (45 TEETH) |
| 22  | 34H286   | SPRING PIN            | 1   |            | 3/16" X 1-1/2"             |
| 23  | R42364   | WASHER                | 1   |            |                            |
| 24  | 26H27    | SHAFT KEY             | 1   |            | 5/16" X 1-1/8"             |
| 25  | R42364   | WASHER                | 1   |            |                            |
| 26  | RE12823  | PULLEY, WITH DAMPENER | 1   |            | (SUB FOR AR67820)          |
| 27  | T20168   | WASHER                | 2   |            |                            |
| 28  | 19H456   | CAP SCREW             | 2   |            | 1/2" X 1-3/8"              |

# 1B16

ENGINE

## UNDERSIZE CRANKSHAFT AND BEARING KIT (6329DH)

TP11999 -UN-01JAN94



| KEY | PART NO. | PART NAME  | QTY | SERIAL NO. | REMARKS   |
|-----|----------|------------|-----|------------|---|
| 1   | T26565   | DOWEL PIN  | 1   |            |   |
| 2   | .....    | CRANKSHAFT | 1   |            | 0.25 MM (.010") UNDERSIZE, (MARKED T23266)<br>(SUB DD13896) |
| 3   | 26H72    | SHAFT KEY  | 1   |            | 1/8" X 5/8"   |
| 4   | AR76129  | BEARING    | 6   |            | 0.25 MM (.010") UNDERSIZE (SET OF (2) R62073)               |
| 5   | T20094   | GEAR       | 1   |            | (24 TEETH)  |
| 6   | AT21110  | BEARING    | 6   |            | (0.25 MM (.010") UNDERSIZE (SET OF (2)<br>T23554)           |
| 7   | AT21132  | BEARING    | 1   |            | 0.25 MM (.010") UNDERSIZE (SET OF (2) T23576)               |
| 8   | DD13896  | KIT        | 1   |            | (A)   |

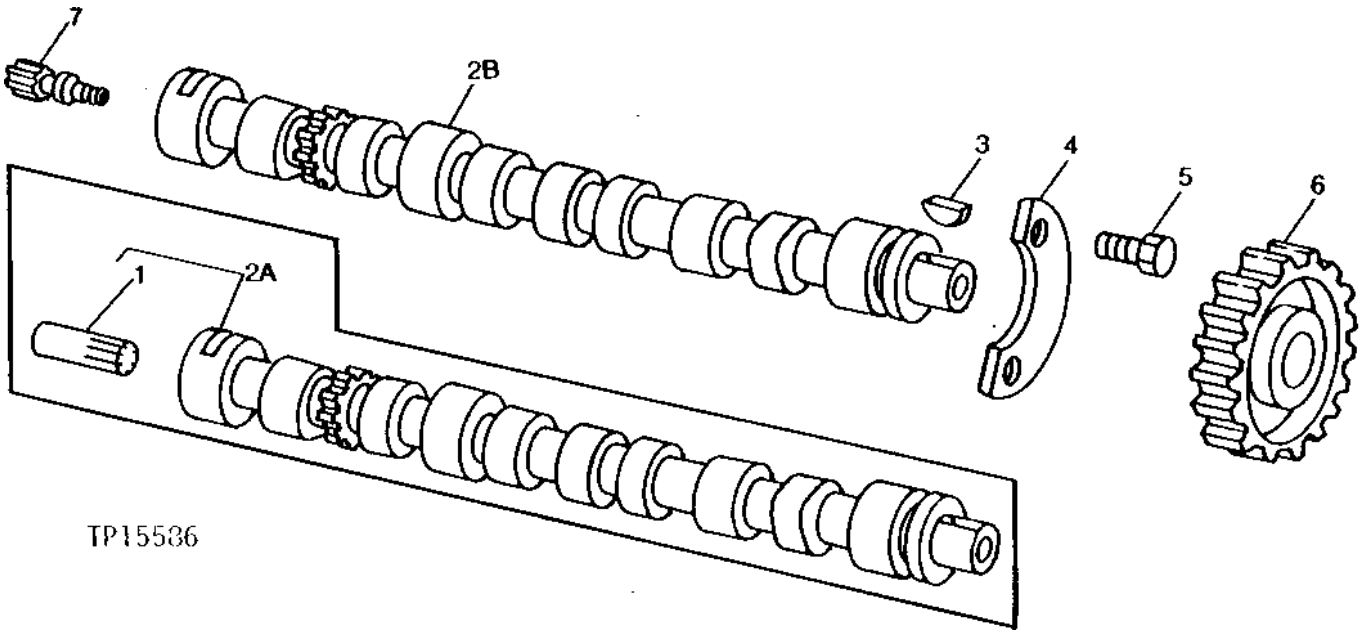
(A) UNDERSIZE CRANKSHAFT AND RELATED PARTS SUBJECT TO AVAILABILITY.

# 1B17

ENGINE

## CAMSHAFT

TP15586 -UN-01JAN94



| KEY | PART NO. | PART NAME | QTY | SERIAL NO. | REMARKS                                 |
|-----|----------|-----------|-----|------------|---|
| 1   | T22535   | SHAFT     | 1   |            | (12 TEETH) (USE WITH AT25185)           |
| 2A  | AT25185  | CAMSHAFT  | 1   |            | (MARKED T20464) (SUB R82821 AND R81514) |
| 2B  | R82821   | CAMSHAFT  | 1   |            |   |
| 3   | T28041   | SHAFT KEY | 1   |            |   |
| 4   | T20072   | PLATE     | 1   |            |   |
| 5   | 19H218   | CAP SCREW | 2   |            | 3/8" X 1"                               |
| 6   | T20070   | GEAR      | 1   |            | (48 TEETH)                              |
| 7   | R81514   | GEAR      | 1   |            | (12 TEETH) (USE WITH R82821)            |

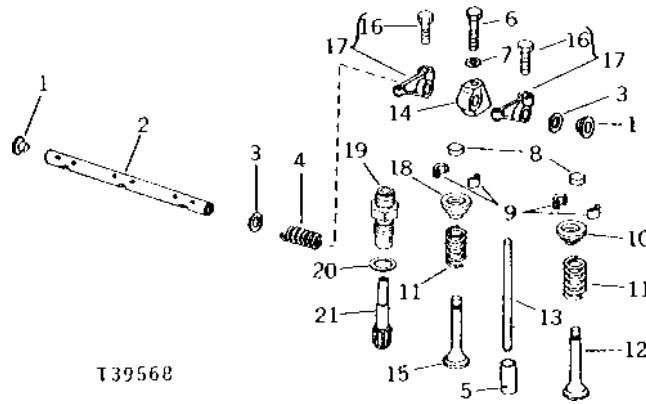


# 1B18

ENGINE

## ROCKER ARMS AND VALVES (6329DH)

T39568 -UN-01JAN94



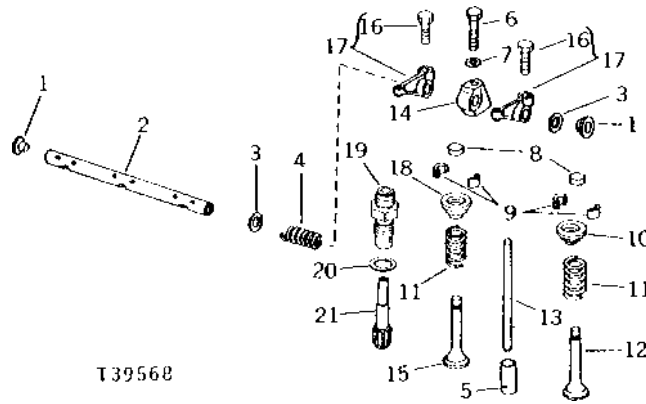
| KEY | PART NO. | PART NAME     | QTY | SERIAL NO. | REMARKS                        |
|-----|----------|---------------|-----|------------|--------------------------------|
| 1   | R54565   | PLUG          | 2   |            |                                |
| 2   | R54986   | SHAFT         | 1   |            |                                |
| 3   | T20316   | WASHER        | 2   |            |                                |
| 4   | T20314   | SPRING        | 5   |            |                                |
| 5   | T20073   | TAPPET        | 12  |            |                                |
| 6   | 19H268   | CAP SCREW     | 6   |            | 3/8" X 2-1/2"                  |
| 7   | R42729   | WASHER        | 6   |            |                                |
| 8   | T20129   | CAP           | 12  |            |                                |
| 9   | T20077   | RETAINER      | 24  |            |                                |
| 10  | T20176   | RETAINER      | 6   |            |                                |
| 11  | R26125   | SPRING        | 12  |            |                                |
| 12  | R52252   | EXHAUST VALVE | 6   |            |                                |
|     | R57333   | EXHAUST VALVE | 6   |            | (0.08 MM) OVERSIZE STEM        |
|     | R57335   | EXHAUST VALVE | 6   |            | (0.38 MM) OVERSIZE STEM        |
|     | R57337   | EXHAUST VALVE | 6   |            | (0.76 MM) OVERSIZE STEM        |
| 13  | T20310   | PIN           | 12  |            |                                |
| 14  | T20315   | SUPPORT       | 6   |            |                                |
| 15  | R52251   | INTAKE VALVE  | 6   |            |                                |
|     | R57332   | INTAKE VALVE  | 6   |            | (0.08 MM) OVERSIZE STEM        |
|     | R57334   | INTAKE VALVE  | 6   |            | (0.38 MM) OVERSIZE STEM        |
|     | R57336   | INTAKE VALVE  | 6   |            | (0.76 MM) OVERSIZE STEM        |
| 16  | T32213   | SCREW         | 1   |            | (SUB RE19031)                  |
| 17  | RE19031  | ROCKER ARM    | 12  |            | (SUB FOR AT31250 AND AR103769) |
| 18  | T20176   | RETAINER      | 6   |            |                                |
| 19  | T22537   | FITTING       | 1   |            |                                |
| 20  | H1058R   | WASHER        | 1   |            |                                |
| 21  | T22536   | GEAR          | 1   |            |                                |

# 1B19

ENGINE

T39568 -UN-01JAN94

## ROCKER ARMS AND VALVES (6359DH)



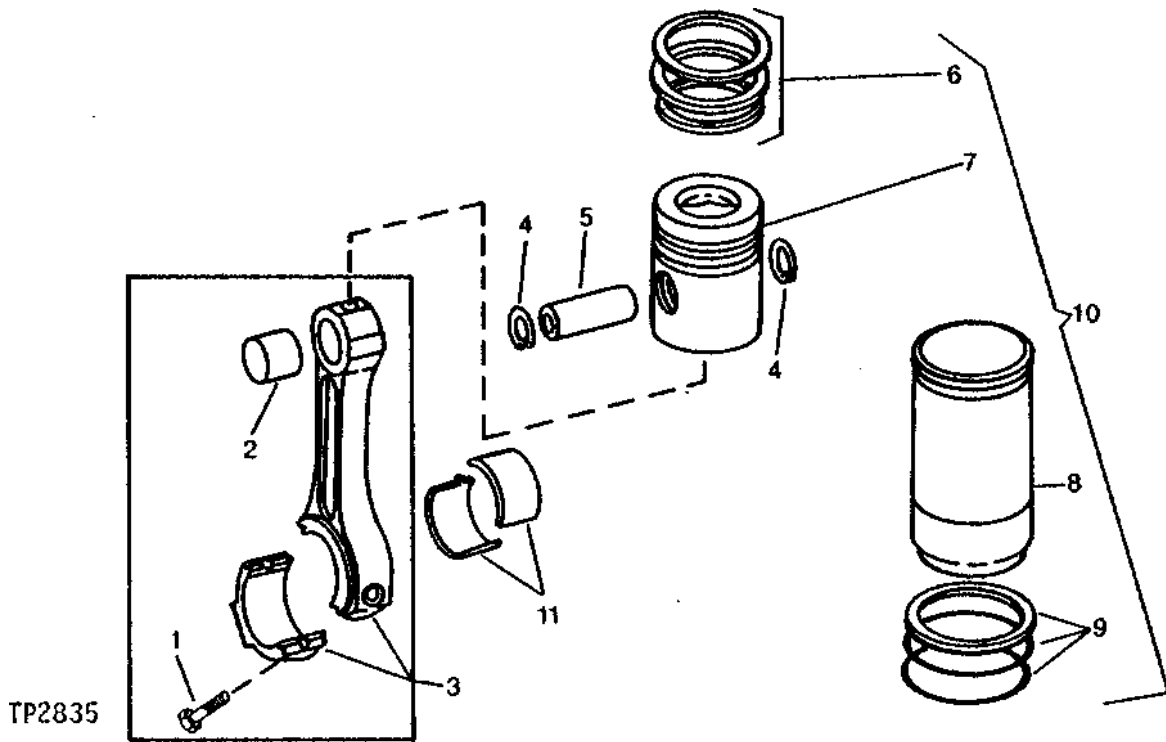
| KEY | PART NO. | PART NAME     | QTY | SERIAL NO. | REMARKS                 |
|-----|----------|---------------|-----|------------|-------------------------|
| 1   | R54565   | PLUG          | 2   |            |                         |
| 2   | R54986   | SHAFT         | 1   |            |                         |
| 3   | T20316   | WASHER        | 2   |            |                         |
| 4   | T20314   | SPRING        | 5   |            |                         |
| 5   | T20073   | TAPPET        | 12  |            |                         |
| 6   | 19H268   | CAP SCREW     | 6   |            | 3/8" X 2-1/2"           |
| 7   | R42729   | WASHER        | 6   |            |                         |
| 8   | T20129   | CAP           | 12  |            |                         |
| 9   | T20077   | RETAINER      | 24  |            |                         |
| 10  | T20176   | RETAINER      | 6   |            |                         |
| 11  | R26125   | SPRING        | 12  |            |                         |
| 12  | R52252   | EXHAUST VALVE | 6   |            |                         |
|     | R57333   | EXHAUST VALVE | 6   |            | (0.08 MM) OVERSIZE STEM |
|     | R57337   | EXHAUST VALVE | 6   |            | (0.76 MM) OVERSIZE STEM |
| 13  | T20310   | PIN           | 12  |            |                         |
| 14  | T20315   | SUPPORT       | 6   |            |                         |
| 15  | R52251   | INTAKE VALVE  | 6   |            |                         |
|     | R57332   | INTAKE VALVE  | 6   |            | (0.08 MM) OVERSIZE STEM |
|     | R57336   | INTAKE VALVE  | 6   |            | (0.76 MM) OVERSIZE STEM |
| 16  | T32213   | SCREW         | 1   |            | SUB. AT31250            |
| 17  | AT31250  | ROCKER ARM    | 12  |            |                         |
| 18  | T20176   | RETAINER      | 6   |            |                         |
| 19  | T22537   | FITTING       | 1   |            |                         |
| 20  | H1058R   | WASHER        | 1   |            |                         |
| 21  | T22536   | GEAR          | 1   |            |                         |

# 1B20

ENGINE

## PISTONS, CYLINDERS, LINERS AND CONNECTING RODS (6329DH)

TP2835 -UN-01JAN94



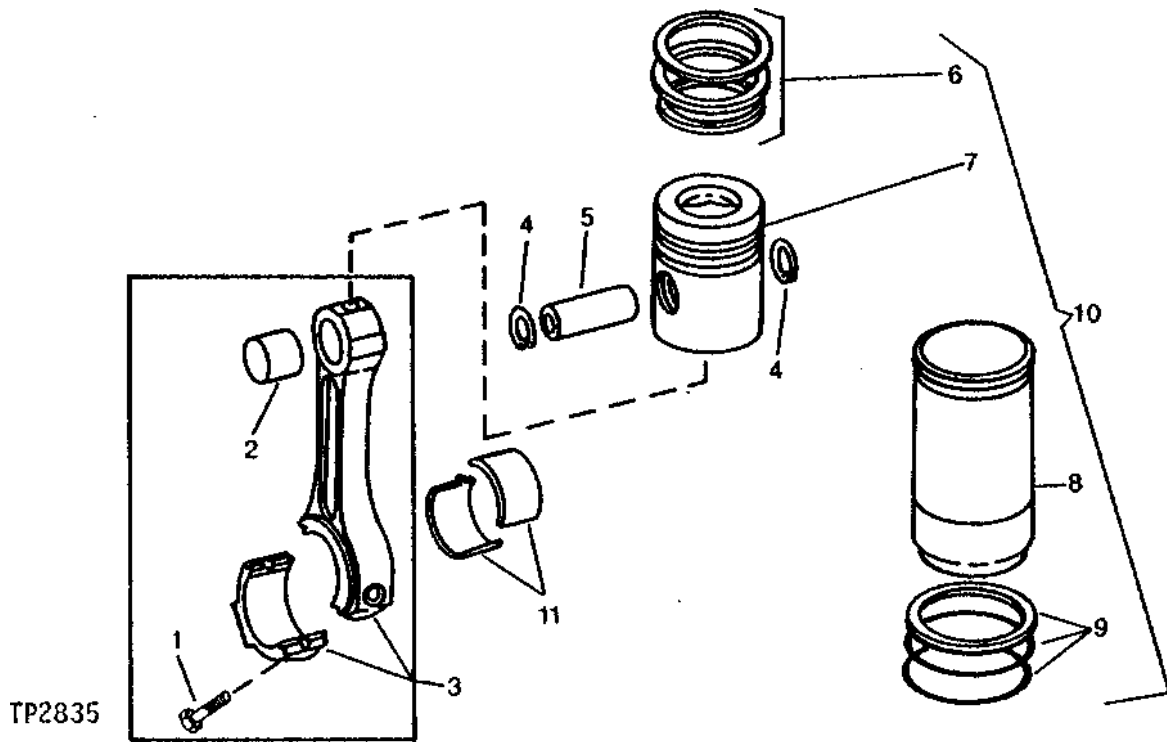
| KEY | PART NO. | PART NAME        | QTY | SERIAL NO. | REMARKS   |
|-----|----------|------------------|-----|------------|---|
| 1   | T20009   | CAP SCREW        | 12  | -530518    | (SUB R74194)                                      |
|     | R74194   | SCREW            | 12  |            | (USE WITH AR55978)                                |
|     | R80033   | SCREW            | 12  |            | (USE WITH RE16495 AND RE21076)                    |
| 2   | R55647   | BUSHING          | 6   |            |   |
| 3   | RE21076  | CONNECTING ROD   | 6   |            | (SUB FOR AR55978 AND RE16495)                     |
| 4   | M41029   | SNAP RING        | 12  |            |   |
| 5   | R51731   | PISTON PIN       | 6   |            |   |
| 6   | AR55759  | PISTON RING KIT  | 1   |            | (A) (SET OF 3 RINGS) (6 SETS USED)                |
| 7   | AR77762  | PISTON           | 6   |            | (A)   |
| 8   | T32343   | CYLINDER LINER   | 6   |            |   |
| 9   | AR71618  | KIT              | 6   |            |   |
| 10  | AR78041  | PISTON-LINER KIT | 6   |            |   |
| 11  | AT21138  | BEARING          | 6   |            | (SET OF (2) T20011)                               |
|     | AT21122  | BEARING          | 6   |            | (0.05 MM) UNDERSIZE (SET OF (2) T23566)           |
|     | AT21124  | BEARING          | 6   |            | (0.25 MM) UNDERSIZE (SET OF (2) T23568)           |
|     | AT21126  | BEARING          | 6   |            | (0.51 MM) UNDERSIZE (SET OF (2) T23570)           |
|     | AT21128  | BEARING          | 6   |            | (0.76 MM) UNDERSIZE (SET OF (2) T23572)           |
| ..  | AR54749  | LUBRICANT        | 1   |            | (USED FOR CYLINDER LINER PACKING<br>INSTALLATION) |

# 1B21

ENGINE

## PISTONS, CYLINDERS AND CONNECTING RODS (6359DH)

TP2835 -UN-01JAN94



| KEY | PART NO. | PART NAME       | QTY | SERIAL NO. | REMARKS   |
|-----|----------|-----------------|-----|------------|---|
| 1   | R80033   | CAP SCREW       | 12  |            |   |
| 2   | R55647   | BUSHING         | 6   |            |   |
| 3   | RE16495  | CONNECTING ROD  | 6   |            |   |
| 4   | M41029   | SNAP RING       | 12  |            |   |
| 5   | R51731   | PISTON PIN      | 6   |            |   |
| 6   | RE15674  | PISTON RING KIT | 6   |            | (SUB FOR DD11831) (SET OF 3 RINGS)                |
| 7   | .....    | PISTON          | AR  |            | (A) (ORDER RE18694)                               |
|     | .....    | PISTON          | AR  |            | (B) (ORDER RE18697)                               |
| 8   | R51726   | CYLINDER LINER  | 6   |            |   |
| 9   | AR65507  | O-RING KIT      | 6   |            |   |
| 10  | RE18694  | KIT             | AR  |            | (A) (SUB FOR RE11509)                             |
|     | RE18697  | KIT             | AR  |            | (B) (SUB FOR RE11510)                             |
| 11  | AT21138  | BEARING         | 6   |            | (SET OF TWO T20011)                               |
|     | AT21122  | BEARING         | 6   |            | (0.05 MM) UNDERSIZE (SET OF TWO T23566)           |
|     | AT21124  | BEARING         | 6   |            | (0.25 MM) UNDERSIZE (SET OF TWO T23568)           |
|     | AT21126  | BEARING         | 6   |            | (0.51 MM) UNDERSIZE (SET OF TWO T23570)           |
|     | AT21128  | BEARING         | 6   |            | (0.76 MM) UNDERSIZE (SET OF TWO T23572)           |
| ..  | AR54749  | LUBRICANT       | 1   |            | (USED FOR CYLINDER LINER PACKING<br>INSTALLATION) |

(A) PISTON MARKED "B"

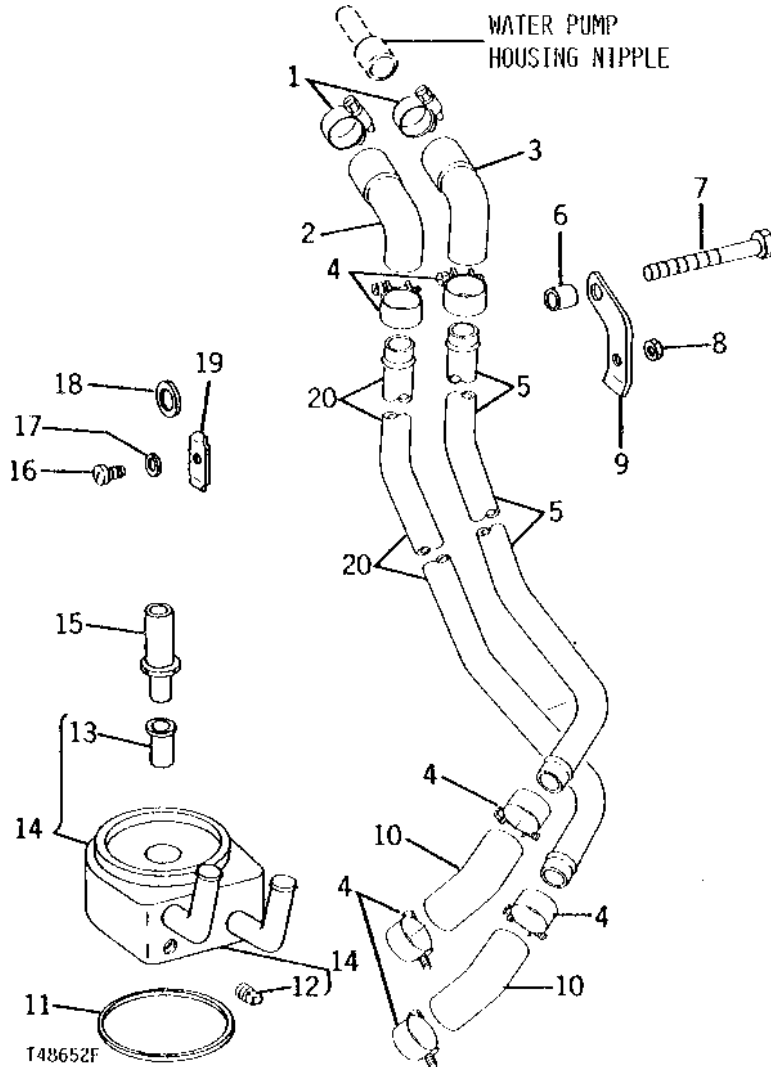
(B) PISTON MARKED "H"

# 1B22

ENGINE

## ENGINE OIL COOLER (6329DH)

T48652 -UN-01JAN94



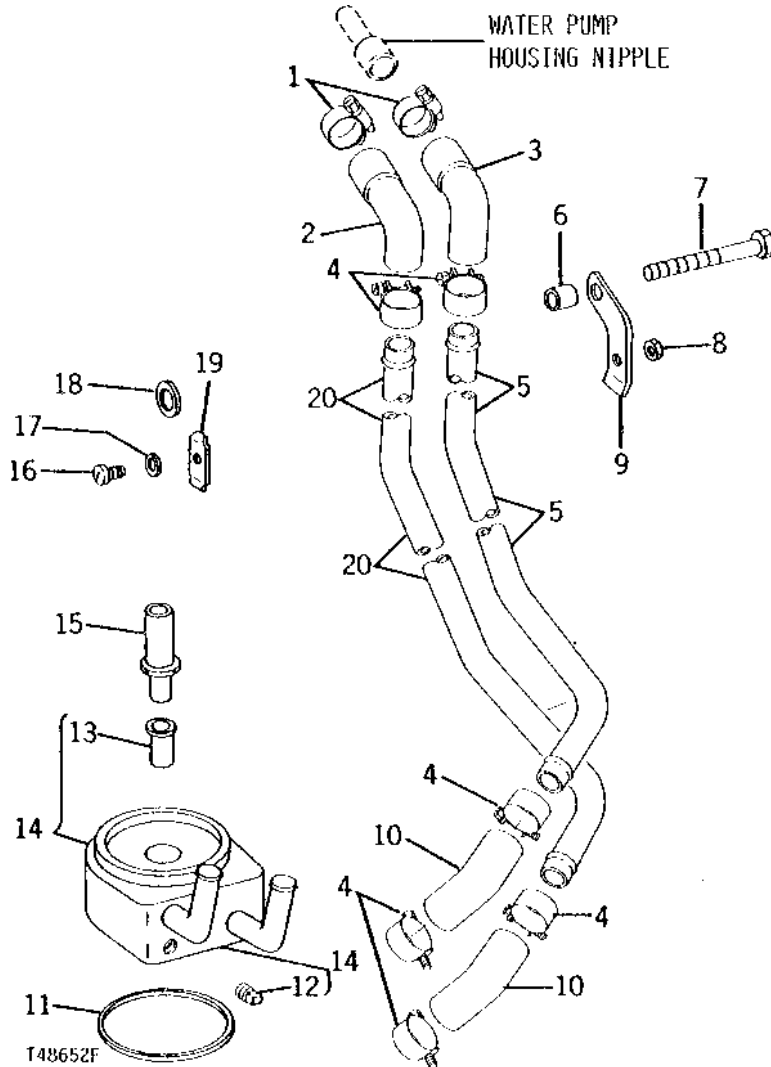
| KEY | PART NO. | PART NAME       | QTY | SERIAL NO. | REMARKS                             |
|-----|----------|-----------------|-----|------------|-------------------------------------|
| 1   | AR21837  | CLAMP           | 2   |            | (SUB FOR AR21839, THIS APPLICATION) |
| 2   | R57700   | HOSE            | 1   |            |                                     |
| 3   | R57699   | HOSE            | 1   |            |                                     |
| 4   | AR21837  | CLAMP           | 6   |            |                                     |
| 5   | R57698   | TUBE            | 1   |            |                                     |
| 6   | 28H2547  | SPACER          | 1   |            | 3/8" X 1"                           |
| 7   | 19H2023  | CAP SCREW       | 1   |            | 3/8" X 3-1/4"                       |
| 8   | 14H785   | NUT             | 1   |            | 5/16"                               |
| 9   | R55128   | FLANGE          | 1   |            |                                     |
| 10  | R55127   | HOSE            | 2   |            |                                     |
| 11  | R55434   | WASHER          | 1   |            |                                     |
| 12  | R56947   | DRAIN PLUG      | 1   |            |                                     |
| 13  | AT31093  | VALVE           | 1   |            | (USE WITH AR64415)                  |
|     | R77332   | RELIEF VALVE    | 1   |            | (USE WITH RE10869)                  |
| 14  | RE10869  | OIL COOLER      | 1   |            | (SUB FOR AR64415)                   |
| 15  | T31306   | THREADED NIPPLE | 1   |            |                                     |
| 16  | 21H1312  | SCREW           | 1   |            | 0.190" X 1"                         |
| 17  | 12H295   | LOCK WASHER     | 2   |            | 0.190"                              |
| 18  | 24H1304  | WASHER          | 1   |            | 13/32" X 23/32" X 0.120"            |
| 19  | R55129   | HALF CLAMP      | 1   |            |                                     |
| 20  | R57697   | TUBE            | 1   |            |                                     |

# 1B23

ENGINE

T48652 -UN-01JAN94

## ENGINE OIL COOLER (6359DH)



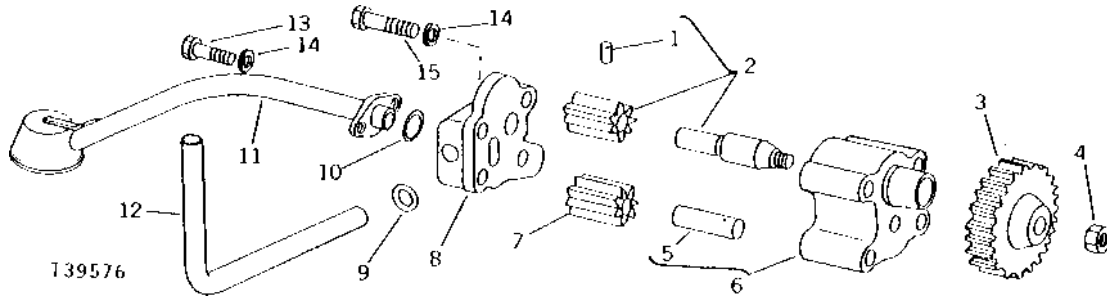
| KEY | PART NO. | PART NAME       | QTY | SERIAL NO. | REMARKS                  |
|-----|----------|-----------------|-----|------------|--------------------------|
| 1   | AR21837  | CLAMP           | 2   |            |                          |
| 2   | R57700   | HOSE            | 1   |            |                          |
| 3   | R57699   | HOSE            | 1   |            |                          |
| 4   | AR21837  | CLAMP           | 6   |            |                          |
| 5   | R57698   | TUBE            | 1   |            |                          |
| 6   | 28H2547  | SPACER          | 1   |            | 3/8" X 1"                |
| 7   | 19H2023  | CAP SCREW       | 1   |            | 3/8" X 3-1/4"            |
| 8   | 14H785   | NUT             | 1   |            | 5/16"                    |
| 9   | R55128   | FLANGE          | 1   |            |                          |
| 10  | R55127   | HOSE            | 2   |            |                          |
| 11  | R70956   | WASHER          | 1   |            |                          |
| 12  | R56947   | DRAIN PLUG      | 1   |            |                          |
| 13  | R77332   | RELIEF VALVE    | 1   |            |                          |
| 14  | RE10869  | OIL COOLER      | 1   |            |                          |
| 15  | T31306   | THREADED NIPPLE | 1   |            |                          |
| 16  | 21H1312  | SCREW           | 1   |            | 0.190" X 1"              |
| 17  | 12H295   | LOCK WASHER     | 2   |            | 0.190"                   |
| 18  | 24H1304  | WASHER          | 1   |            | 13/32" X 23/32" X 0.120" |
| 19  | R55129   | HALF CLAMP      | 1   |            |                          |
| 20  | R57697   | TUBE            | 1   |            |                          |

# 1B24

ENGINE

T39576 -UN-01JAN94

## LUBRICATING OIL PUMP



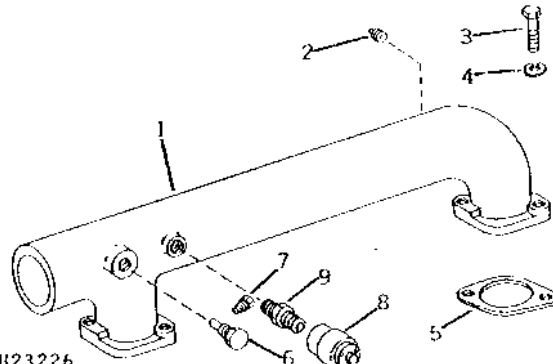
| KEY   | PART NO. | PART NAME       | QTY | SERIAL NO.                                 | REMARKS              |
|---|----------|-----------------|-----|--|----------------------|
| 1   | M3853T   | GROOVE PIN      | 1   |  |                      |
| 2   | AR62978  | PINION          | 1   | (B)  |                      |
| 3   | T20298   | GEAR            | 1   | (33 TEETH)                                 |                      |
| 4   | 14H826   | NUT             | 1   | 1/2"                                       |                      |
| 5   | T20091   | DOWEL PIN       | 1   |  |                      |
| 6   | AR62979  | HOUSING         | 1   | (B) (MARKED R54615)                        |                      |
| 7   | R54614   | GEAR            | 1   | (B) (7 TEETH)                              |                      |
| 8   | R53382   | COVER           | 1   | (C) (B)                                    |                      |
| 9   | R74354   | O-RING          | 1   | (C) (B) (SUB FOR R27166, THIS APPLICATION) |                      |
| 10  | R61871   | O-RING          | 1   | (C) (B) (SUB FOR A4730R, THIS APPLICATION) |                      |
| 11  | AR59621  | OIL PUMP INTAKE | 1   | (C) (B) INTAKE                             |                      |
| 12  | T20050   | OIL TUBE        | 1   |  |                      |
| 13  | R59409   | CAP SCREW       | 2   | (D) (A)                                    |                      |
| 14  | 12H304   | LOCK WASHER     | 4   | (B) 3/8"                                   |                      |
| 15  | R57059   | CAP SCREW       | 2   | (B)  |                      |
| (C) ASSEMBLY LISTED BELOW CONTAINS ALL PARTS IDENTIFIED BY (C): |          |                 |     |  |                      |
| ..  | AR67673  | KIT             | 1   |  | KIT, OIL PUMP PICKUP |
| (A) ASSEMBLY LISTED BELOW CONTAINS ALL PARTS IDENTIFIED BY (A): |          |                 |     |  |                      |
| ..  | AR67077  | OIL PUMP        | 1   |  |                      |

# 1B25

ENGINE

H23226 -UN-01JAN94

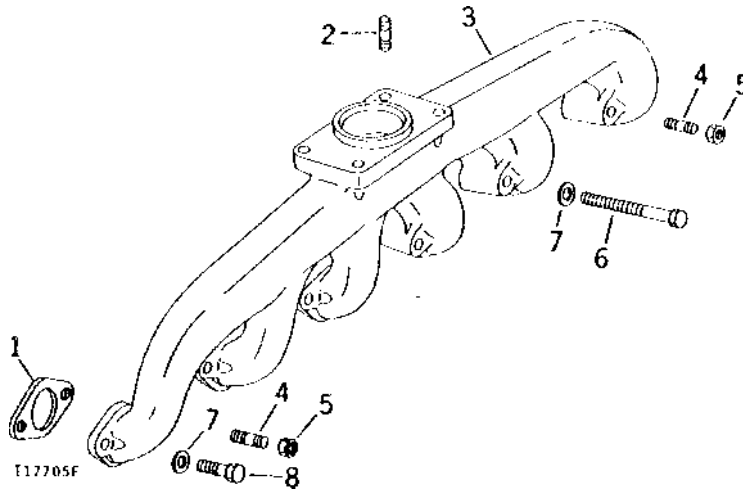
## AIR INTAKE MANIFOLD



| KEY | PART NO. | PART NAME                 | QTY | SERIAL NO. | REMARKS                            |
|-----|----------|---------------------------|-----|------------|------------------------------------|
| 1   | AR52217  | INTAKE MANIFOLD           | 1   |            | (INCLUDES (2) 15H638 AND 15H255)   |
| 2   | 15H638   | PIPE PLUG                 | 2   |            | 1/8", (AIR CLEANER INDICATOR HOLE) |
| 3   | 19H1732  | CAP SCREW                 | 4   |            | 3/8" X 1-1/4"                      |
| 4   | 12H304   | LOCK WASHER               | 4   |            | 3/8"                               |
| 5   | R81275   | GASKET                    | 2   |            | (SUB FOR T20159, THIS APPLICATION) |
| 6   | R47160   | NOZZLE HOLDER             | 1   |            |                                    |
|     | 15H255   | PIPE PLUG                 | 1   |            | 3/8", (WITHOUT STARTING AID)       |
| 7   | R28583   | NOZZLE                    | 1   |            |                                    |
| 8   | AT25983  | AIR RESTRICTION INDICATOR | 1   |            |                                    |
| 9   | AR44361  | FITTING                   | 1   |            | (WITH RESTRICTION INDICATOR)       |

## EXHAUST MANIFOLD

T17705 -UN-01JAN94



| KEY | PART NO. | PART NAME        | QTY | SERIAL NO. | REMARKS                  |
|-----|----------|------------------|-----|------------|--------------------------|
| 1   | T20006   | GASKET           | 6   |            |                          |
| 2   | T25701   | STUD             | 4   |            |                          |
| 3   | T29809   | EXHAUST MANIFOLD | 1   |            |                          |
| 4   | M1112T   | STUD             | 2   |            |                          |
| 5   | 14H812   | NUT              | 2   |            | 3/8"                     |
| 6   | 19H1912  | CAP SCREW        | 3   |            | 3/8" X 3-1/2"            |
| 7   | 24H1304  | WASHER           | 12  |            | 13/32" X 23/32" X 0.120" |
| 8   | 19H988   | CAP SCREW        | 8   |            | 3/8" X 1-1/4"            |



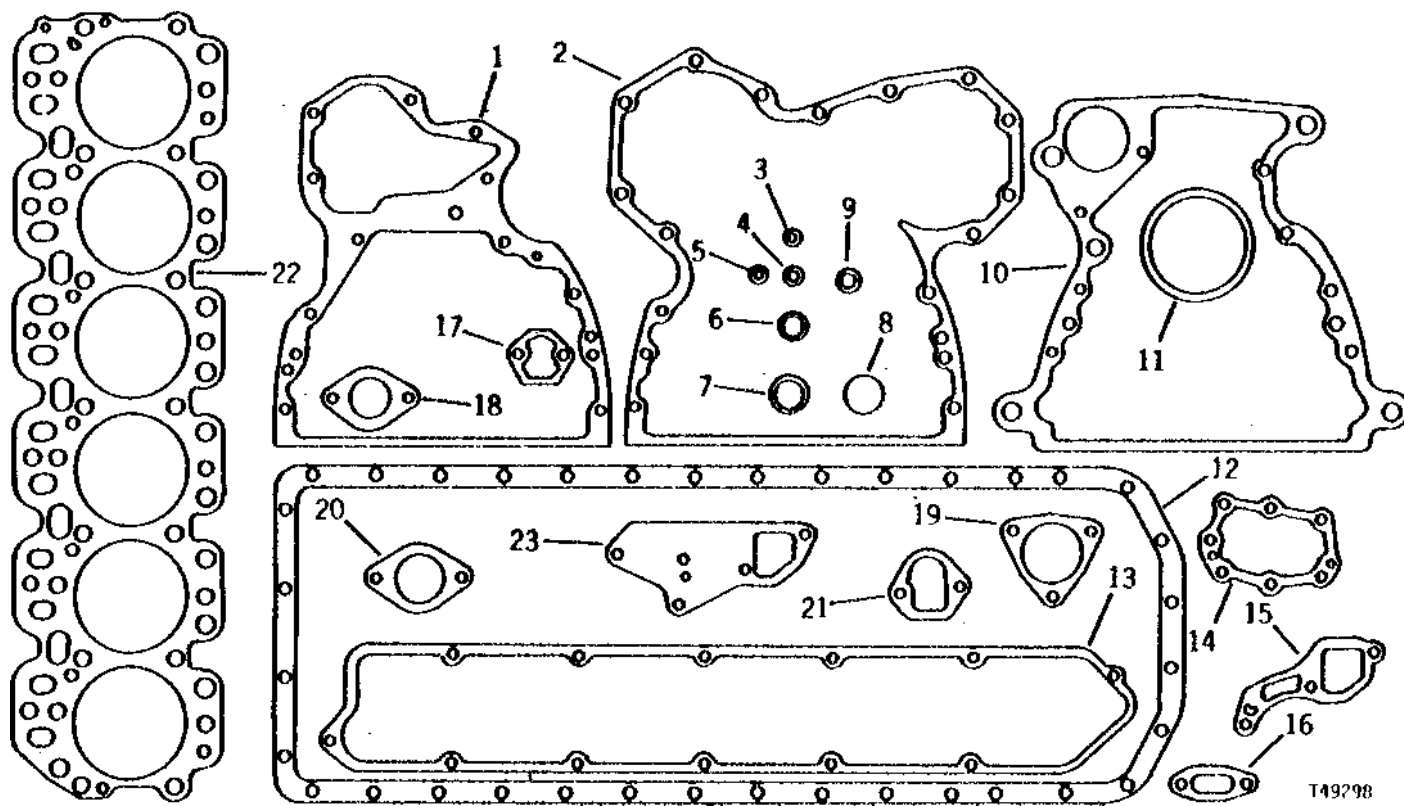
# 1C1

ENGINE

## ENGINE OVERHAUL GASKET SET (6329DH)

T49298

-UN-01JAN94



| KEY | PART NO. | PART NAME                   | QTY | SERIAL NO.                         | REMARKS  |
|-----|----------|-----------------------------|-----|------------------------------------|--|
| 1   | T24965   | GASKET                      | 1   | (SUB R73140)                       |  |
|     | R73140   | GASKET                      | 1   |                                    |  |
| 2   | T20155   | GASKET                      | 1   |                                    |  |
| 3   | R34764   | WASHER                      | 6   |                                    |  |
| 4   | R74354   | O-RING                      | 1   | (SUB FOR R27166, THIS APPLICATION) |  |
| 5   | R48000   | WASHER                      | 6   |                                    |  |
| 6   | R56463   | O-RING                      | 1   | (SUB FOR R495R, THIS APPLICATION)  |  |
| 7   | T23002   | GASKET                      | 3   |                                    |  |
| 8   | T20328   | GASKET                      | 1   |                                    |  |
| 9   | R26919   | WASHER                      | 2   |                                    |  |
| 10  | R70483   | GASKET                      | 1   | (SUB FOR R49516, THIS APPLICATION) |  |
| 11  | R48768   | WASHER                      | 6   |                                    |  |
| 12  | T20205   | GASKET                      | 1   |                                    |  |
| 13  | T20467   | GASKET                      | 1   |                                    |  |
| 14  | T20273   | GASKET                      | 1   |                                    |  |
| 15  | T23132   | GASKET                      | 1   |                                    |  |
| 16  | T20336   | GASKET                      | 1   |                                    |  |
| 17  | R27285   | GASKET                      | 1   |                                    |  |
| 18  | R81275   | GASKET                      | 2   | (SUB FOR T20159, THIS APPLICATION) |  |
| 19  | T24932   | GASKET                      | 1   |                                    |  |
| 20  | T20006   | GASKET                      | 6   |                                    |  |
| 21  | R78366   | GASKET                      | 1   | (SUB FOR R69260)                   |  |
| 22  | R80243   | ENGINE CYLINDER HEAD GASKET | 1   | (SUB FOR R59449)                   |  |
| 23  | T20243   | GASKET                      | 1   |                                    |  |
| ..  | AR79927  | GASKET KIT                  | 1   |                                    | (C) (INCLUDES ALL GASKETS SHOWN ABOVE EXCEPT CYLINDER HEAD GASKET AND R48768 CYLINDER LINER PACKING) (ALSO ORDER R80243 HEAD GASKET) (SUB AR97194) |
| ..  | AR97194  | GASKET KIT                  | 1   |                                    | (C) (INCLUDES ALL GASKETS SHOWN ABOVE EXCEPT CYLINDER HEAD GASKET AND R48768 CYLINDER LINER PACKING) (ALSO ORDER R80243 HEAD GASKET)               |

(C) NOTE: WHEN AR79927 OR AR97194 ARE ORDERED, ALSO ORDER SIX AR71618 CYLINDER LINER PACKINGS KITS

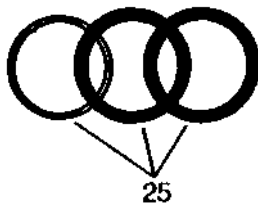
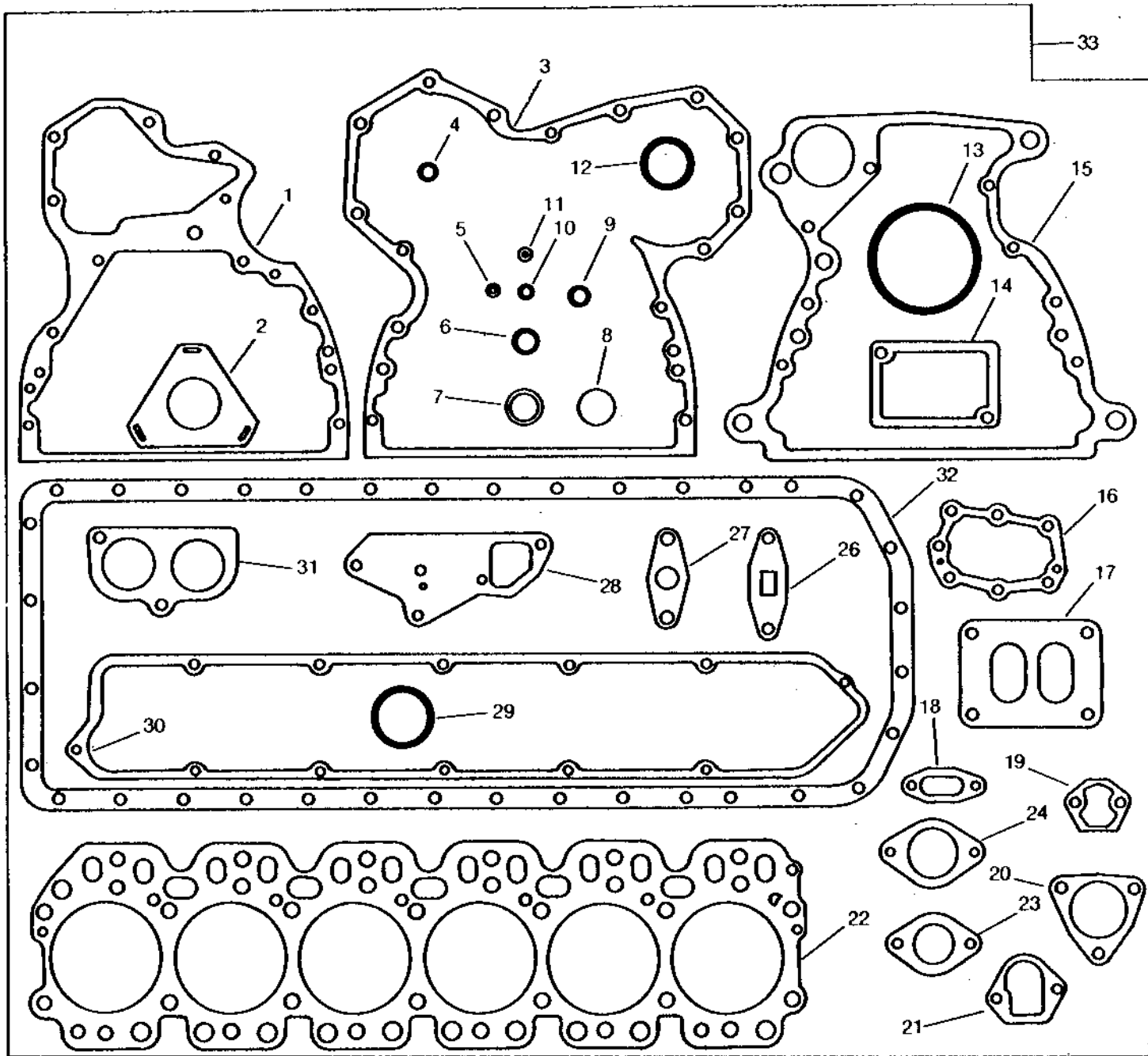
# 1C2

ENGINE

## ENGINE OVERHAUL GASKET SET (6359DH)

TP9762

-UN-01JAN94



TP9762

**ENGINE OVERHAUL GASKET SET-CONTINUED  
(6359DH)**

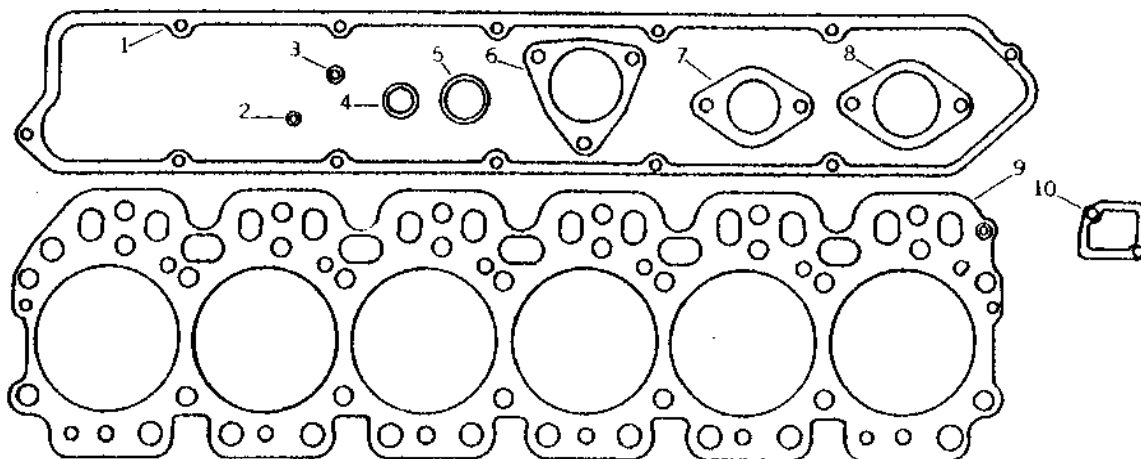
| KEY | PART NO. | PART NAME  | QTY | SERIAL NO. | REMARKS   |
|-----|----------|------------|-----|------------|---|
| 1   | R73140   | GASKET     | 1   |            | CYLINDER BLOCK PLATE                                    |
| 2   | T24460   | GASKET     | 1   |            | (ROTO-DIESEL) INJECTION PUMP                            |
|     | R77126   | GASKET     | 1   |            |   |
| 3   | T20155   | GASKET     | 1   |            | TIMING GEAR COVER                                       |
| 4   | R56461   | O-RING     | 1   |            | BYPASS THERMOSTAT (SUB FOR R47144)                      |
| 5   | R48000   | WASHER     | 6   |            | NOZZLE, LOWER   |
| 6   | R56463   | O-RING     | 1   |            | VENT TUBE   |
| 7   | T23002   | GASKET     | 3   |            | WATER OUTLET MANIFOLD                                   |
| 8   | T20328   | GASKET     | 1   |            | OIL FILLER CUP  |
| 9   | R26919   | WASHER     | 2   |            | OIL COOLER TO PAN                                       |
| 10  | R74354   | O-RING     | 1   |            | OIL PUMP OUTLET   |
| 11  | R60746   | WASHER     | 6   |            | NOZZLE, UPPER   |
| 12  | R53543   | O-RING     | 1   |            | OIL COOLER  |
| 13  | R70956   | WASHER     | 1   |            |   |
| 14  | R54641   | GASKET     | 1   |            | WATER OUTLET  |
| 15  | R70483   | GASKET     | 1   |            | FLYWHEEL HOUSING  |
| 16  | T20273   | GASKET     | 1   |            | TIMING GEAR COVER                                       |
| 17  | R55509   | GASKET     | 1   |            | TURBOCHARGER EXHAUST                                    |
| 18  | T20336   | GASKET     | 1   |            | OIL FILLER INLET  |
| 19  | R27285   | GASKET     | 1   |            | FUEL PUMP OPENING                                       |
| 20  | T24932   | GASKET     | 1   |            | THERMOSTAT COVER  |
| 21  | R69260   | GASKET     | 1   |            | INJECTION PUMP COVER                                    |
| 22  | R59449   | GASKET     | 1   |            | CYLINDER HEAD   |
| 23  | T20006   | GASKET     | 6   |            | EXHAUST MANIFOLD  |
| 24  | T20159   | GASKET     | 2   |            | AIR INLET   |
| 25  | AR65507  | O-RING KIT | 6   |            | KIT, O-RING CYLINDER LINER                              |
| 26  | R43416   | GASKET     | 1   |            | TURBOCHARGER, OIL OUTLET                                |
| 27  | R43413   | GASKET     | 1   |            | TURBOCHARGER, OIL INLET                                 |
| 28  | T20243   | GASKET     | 1   |            | WATER PUMP  |
| 29  | R54229   | SEAL       | 1   |            | (ROOSA-MASTER) INJECTION PUMP                           |
| 30  | AR102260 | KIT        | 1   |            | ROCKER ARM COVER  |
| 31  | R54638   | GASKET     | 1   |            | THERMOSTAT COVER  |
| 32  | T20205   | GASKET     | 1   |            | OIL PAN   |
|     | R56933   | GASKET     | 1   |            | (WITH CAST OIL PAN)                                     |
| 33  | AR102286 | GASKET KIT | 1   |            | (ALSO ORDER (6) AR65507 CYLINDER LINER<br>PACKING KITS) |

# 1C4

ENGINE

## ENGINE TUNE-UP GASKET SET (6329DH)

T40831 -UN-01JAN94



T40831

| KEY | PART NO. | PART NAME                   | QTY | SERIAL NO. | REMARKS   |
|-----|----------|-----------------------------|-----|------------|---|
| 1   | AR102260 | KIT                         | 1   |            | ROCKER ARM COVER, (SUB FOR T20467) (ALSO ORDER (12) AR100124)                     |
| 2   | R48000   | WASHER                      | 6   |            | NOZZLE, LOWER   |
| 3   | R34764   | WASHER                      | 6   |            | NOZZLE, UPPER   |
| 4   | R56463   | O-RING                      | 1   |            | VENT TUBE, (SUB FOR R495R, THIS APPLICATION)                                      |
| 5   | T23002   | GASKET                      | 3   |            | WATER OUTLET MANIFOLD   |
| 6   | T24932   | GASKET                      | 1   |            | THERMOSTAT COVER  |
| 7   | T20006   | GASKET                      | 6   |            | EXHAUST MANIFOLD  |
| 8   | R81275   | GASKET                      | 2   |            | AIR INLET, (SUB FOR T20159, THIS APPLICATION)                                     |
| 9   | R80243   | ENGINE CYLINDER HEAD GASKET | 1   |            | CYLINDER HEAD, (SUB FOR R59449)   |
| 10  | R54641   | GASKET                      | 1   |            | THERMOSTAT HOUSING  |
| ..  | RE16924  | GASKET KIT                  | 1   |            | (INCLUDES ALL GASKETS SHOWN ABOVE EXCEPT CYLINDER HEAD GASKET) (SUB FOR AR102267) |

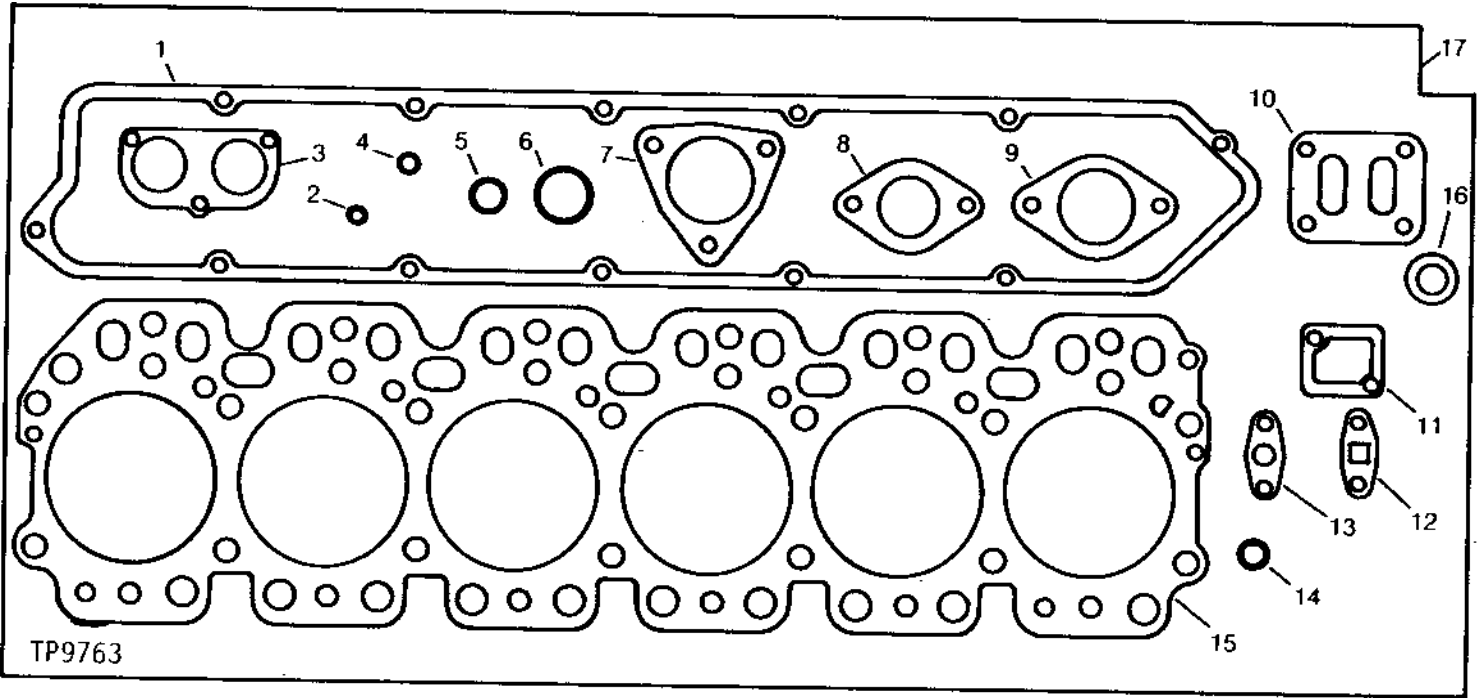
# 1C5

ENGINE

## ENGINE TUNE-UP GASKET SET (6359DH)

TP9763

-UN-01JAN94



| KEY | PART NO. | PART NAME  | QTY | SERIAL NO. | REMARKS                  |
|-----|----------|------------|-----|------------|--------------------------|
| 1   | AR102260 | KIT        | 1   |            | ROCKER ARM COVER         |
| 2   | R48000   | WASHER     | 6   |            | NOZZLE LOWER             |
| 3   | R54638   | GASKET     | 1   |            | THERMOSTAT COVER         |
| 4   | R60746   | WASHER     | 6   |            | NOZZLE, UPPER            |
| 5   | R56463   | O-RING     | 1   |            | VENT TUBE                |
| 6   | T23002   | GASKET     | 3   |            | WATER OUTLET MANIFOLD    |
| 7   | T24932   | GASKET     | 1   |            | THERMOSTAT COVER         |
| 8   | T20006   | GASKET     | 6   |            | EXHAUST MANIFOLD         |
| 9   | T20159   | GASKET     | 2   |            | AIR INLET                |
| 10  | R55509   | GASKET     | 1   |            | TURBOCHARGER EXHAUST     |
| 11  | R54641   | GASKET     | 1   |            | WATER OUTLET             |
| 12  | R43416   | GASKET     | 1   |            | TURBOCHARGER, OIL OUTLET |
| 13  | R43413   | GASKET     | 1   |            | TURBOCHARGER, OIL INLET  |
| 14  | R47144   | O-RING     | 1   |            | BYPASS, THERMOSTAT       |
| 15  | R59449   | GASKET     | 1   |            | CYLINDER HEAD            |
| 16  | R34764   | WASHER     | 6   |            | UPPER                    |
| 17  | AR102267 | GASKET KIT | 1   |            |                          |

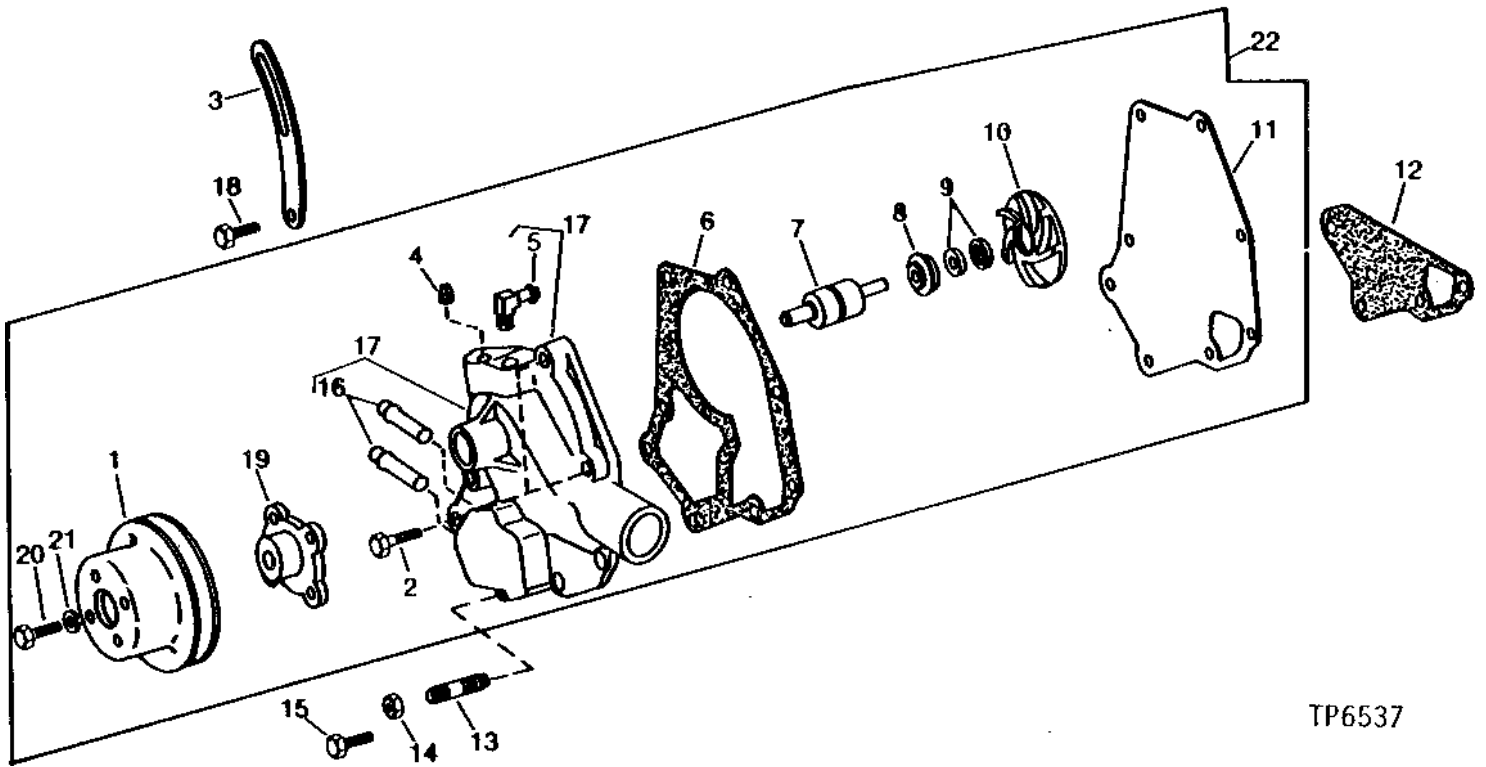
# 1C6

ENGINE

## WATER PUMP

TP6537

-UN-01JAN94



TP6537

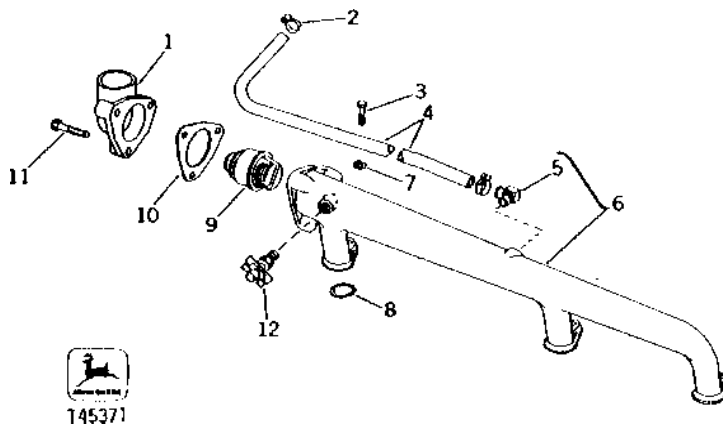
| KEY | PART NO. | PART NAME     | QTY | SERIAL NO.                                | REMARKS |
|-----|----------|---------------|-----|---|---------|
| 1   | AR40148  | PULLEY        | 1   |   |         |
| 2   | 19H2545  | CAP SCREW     | 3   | 3/8" X 1-3/8"                             |         |
| 3   | T32853   | STRAP         | 1   |   |         |
| 4   | 15H584   | PIPE PLUG     | 1   | 1/2"                                      |         |
| 5   | AR26732  | ELBOW FITTING | 1   |   |         |
| 6   | T25485   | GASKET        | 1   |   |         |
| 7   | JD9257   | BALL BEARING  | 1   |   |         |
| 8   | T27261   | SEAL          | 1   |   |         |
| 9   | AR41691  | INSERT        | 1   |   |         |
| 10  | R40979   | IMPELLER      | 1   |   |         |
| 11  | T25484   | COVER         | 1   |   |         |
| 12  | T20243   | GASKET        | 1   |   |         |
| 13  | T25701   | STUD          | 1   |   |         |
| 14  | 14H812   | NUT           | 1   | 3/8"                                      |         |
| 15  | 19H1912  | CAP SCREW     | 2   | 3/8" X 3-1/2"                             |         |
| 16  | R34985   | LINE          | 2   |   |         |
| 17  | AR80113  | HOUSING       | 1   | (MARKED R62902)                           |         |
| 18  | 19H1801  | CAP SCREW     | 3   | 3/8" X 2"                                 |         |
| 19  | R62371   | HUB           | 1   | (THIS APPLICATION ONLY)                   |         |
| 20  | 19H2284  | CAP SCREW     | 4   | 3/8" X 7/8", (USE WITH R62371)            |         |
| 21  | 24H1682  | WASHER        | 4   | 13/32" X 7/8" X 0.120", (USE WITH R62371) |         |
| 22  | AR77682  | WATER PUMP    | 1   |   |         |

# 1C7

ENGINE

T45371 -UN-01JAN94

## WATER MANIFOLD AND THERMOSTAT



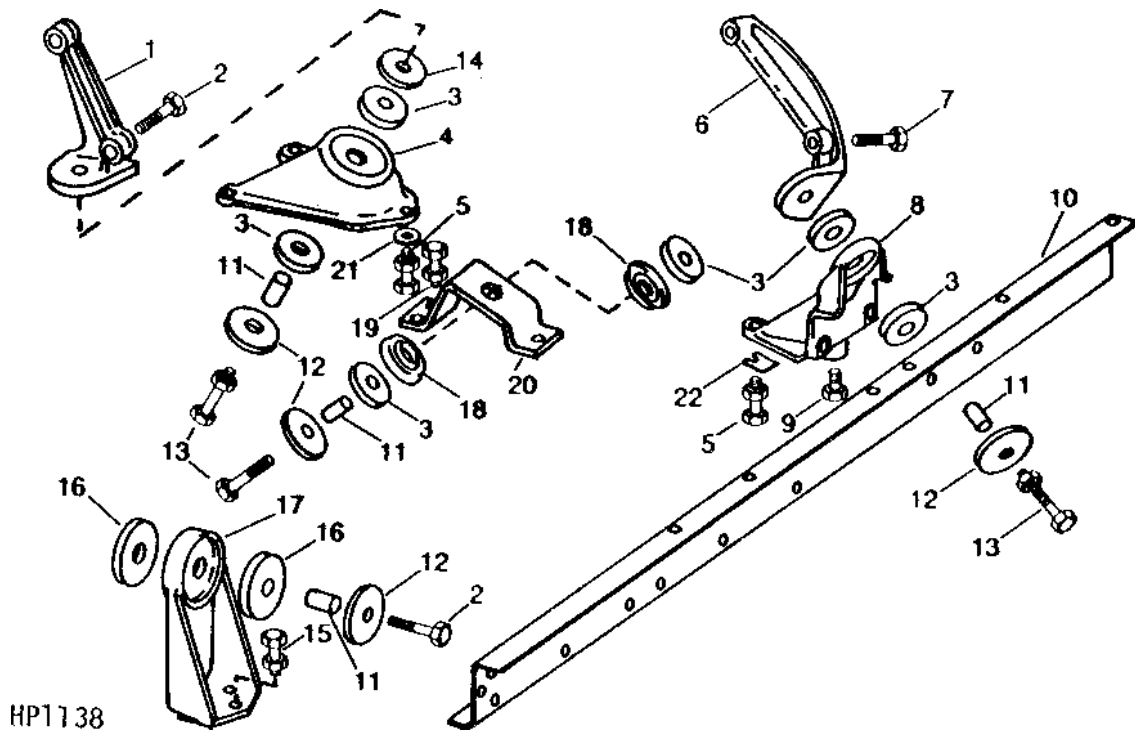
| KEY | PART NO. | PART NAME     | QTY | SERIAL NO. | REMARKS                          |
|-----|----------|---------------|-----|------------|----------------------------------|
| 1   | T24934   | COVER         | 1   |            |                                  |
| 2   | AR21839  | CLAMP         | 2   |            |                                  |
| 3   | R53219   | CAP SCREW     | 3   |            |                                  |
| 4   | T25479   | HOSE          | 1   |            |                                  |
| 5   | AR26732  | ELBOW FITTING | 1   |            |                                  |
| 6   | AR74154  | MANIFOLD      | 1   |            | (MARKED R61178)                  |
| 7   | T20168   | WASHER        | 3   |            |                                  |
| 8   | T23002   | GASKET        | 3   |            |                                  |
| 9   | AR77411  | THERMOSTAT    | 1   |            | (91° C)                          |
| 10  | T24932   | GASKET        | 1   |            |                                  |
| 11  | 19H2549  | CAP SCREW     | 3   |            | 3/8" X 1-7/8"                    |
| 12  | AT13740  | DRAIN VALVE   | 1   | -450000    | (SUB AH109183, THIS APPLICATION) |
|     | AH109183 | VALVE         | 1   |            |                                  |

# 1C8

ENGINE

HP1138 -UN-01JAN94

## ENGINE SUPPORTS



| KEY | PART NO. | PART NAME   | QTY | SERIAL NO.               | REMARKS       |
|-----|----------|-------------|-----|--------------------------|---------------|
| 1   | H75748   | SUPPORT     | 1   |                          |               |
| 2   | 19H1847  | CAP SCREW   | 3   | 5/8" X 2-1/2"            |               |
|     | 12H294   | LOCK WASHER | 3   | 5/8"                     |               |
| 3   | H80197   | BUSHING     | 6   |                          |               |
| 4   | H80989   | SUPPORT     | 1   |                          |               |
| 5   | 19H1936  | CAP SCREW   | 6   | 3/8" X 3/4"              |               |
|     | 14H812   | NUT         | 3   | 3/8"                     |               |
| 6   | H75747   | SUPPORT     | 1   |                          |               |
| 7   | 19H1824  | CAP SCREW   | 2   | 5/8" X 2-1/4"            |               |
|     | 12H294   | LOCK WASHER | 2   | 5/8"                     |               |
| 8   | H80988   | SUPPORT     | 1   |                          |               |
| 9   | 19H1815  | CAP SCREW   | 1   | 1/2" X 1-1/4"            |               |
|     | 12H301   | LOCK WASHER | 1   | 1/2"                     |               |
| 10  | H91710   | RAIL        | 1   | -401580                  | (SUB H103269) |
|     | H103269  | RAIL        | 1   |                          |               |
| 11  | H85481   | BUSHING     | 4   |                          |               |
| 12  | P50456   | WASHER      | 4   |                          |               |
| 13  | 19H1863  | CAP SCREW   | 3   | 5/8" X 3"                |               |
|     | 12H294   | LOCK WASHER | 3   | 5/8"                     |               |
|     | 14H760   | NUT         | 3   | 5/8"                     |               |
| 14  | P50456   | WASHER      | 1   |                          |               |
| 15  | 19H1732  | CAP SCREW   | 3   | 3/8" X 1-1/4"            |               |
|     | 14H812   | NUT         | 3   | 3/8"                     |               |
| 16  | H80198   | ISOLATOR    | 2   |                          |               |
| 17  | H78855   | BRACKET     | 1   |                          |               |
| 18  | H78856   | RETAINER    | 2   |                          |               |
| 19  | 19H1731  | CAP SCREW   | 3   | 3/8" X 1"                |               |
|     | 14H812   | NUT         | 3   | 3/8"                     |               |
| 20  | H78857   | BRACKET     | 1   |                          |               |
| 21  | 24H1305  | WASHER      | AR  | 13/32" X 13/16" X 0.065" |               |
| 22  | H83347   | STRAP       | 1   |                          |               |

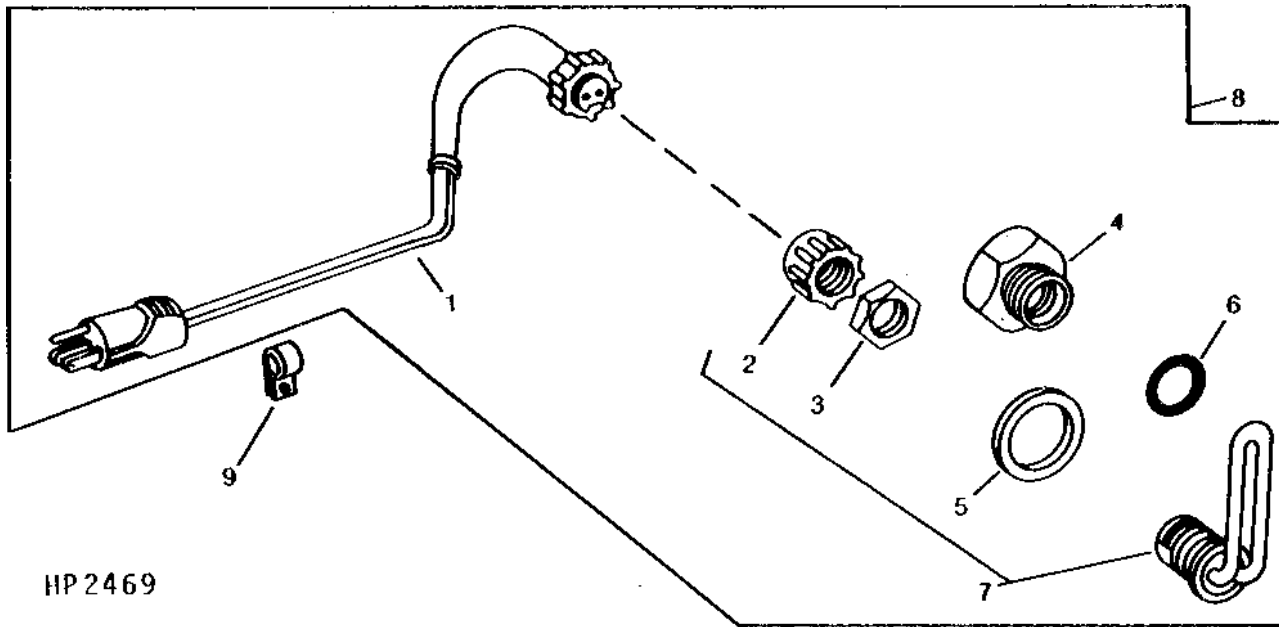


# 1C9

ENGINE

HP2469 -UN-01JAN94

## ENGINE COOLANT HEATER



HP 2469

| KEY | PART NO. | PART NAME      | QTY | SERIAL NO. | REMARKS |
|-----|----------|----------------|-----|------------|---------|
| 1   | AR50411  | WIRING LEAD    | 1   |            |         |
| 2   | R54510   | CAP            | 1   |            |         |
| 3   | R54511   | NUT            | 1   |            |         |
| 4   | R54123   | ADAPTER        | 1   |            |         |
| 5   | R47693   | GASKET         | 1   |            |         |
| 6   | U13639   | O-RING         | 1   |            |         |
| 7   | AR62399  | COOLANT HEATER | 1   |            |         |
| 8   | AR62492  | COOLANT HEATER | 1   |            |         |
| 9   | AH77279  | CLIP           | 1   |            |         |

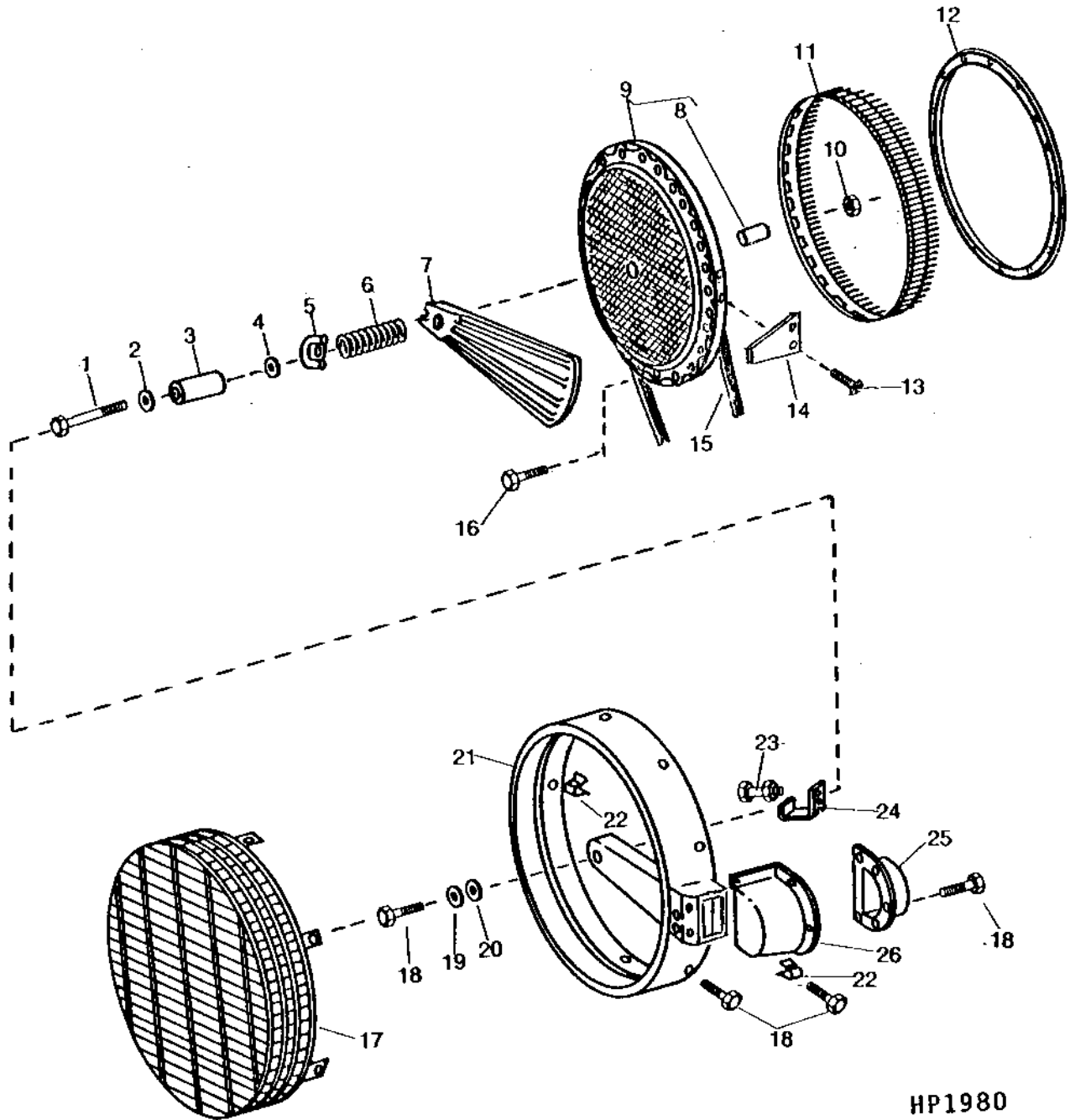
# 1C10

ENGINE

HP1980

-UN-01JAN94

## FLAT ROTARY SCREEN



HP1980

# 1C11

ENGINE

## FLAT ROTARY SCREEN - CONTINUED

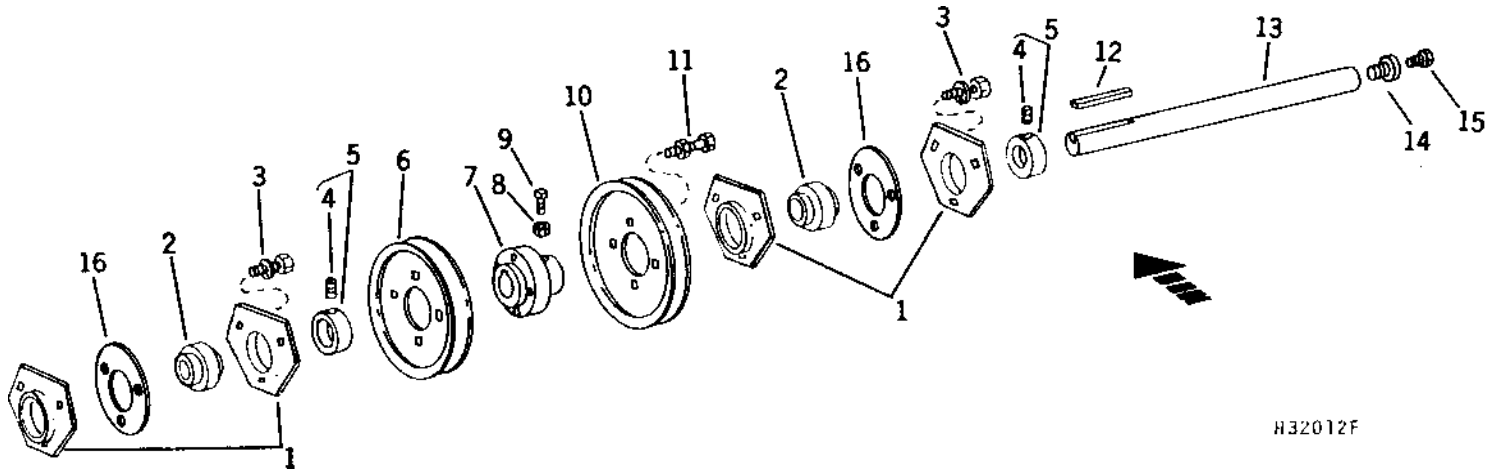
| KEY | PART NO. | PART NAME     | QTY | SERIAL NO. | REMARKS                    |
|-----|----------|---------------|-----|------------|----------------------------|
| 1   | H96344   | BOLT          | 1   |            |                            |
| 2   | 24H1136  | WASHER        | 1   |            |                            |
| 3   | E46219   | SPACER        | 1   |            |                            |
| 4   | H100596  | WASHER        | 1   |            |                            |
| 5   | H97355   | THRUST WASHER | 1   |            |                            |
| 6   | H574B    | SPRING        | 1   |            |                            |
| 7   | AH96050  | ISOLATOR      | 1   |            |                            |
| 8   | AH81161  | BALL BEARING  | 1   | -600000    | (SUB AH115444)             |
|     | AH115444 | BALL BEARING  | 1   |            |                            |
| 9   | AH95373  | SCREEN        | 1   |            |                            |
| 10  | E54809   | LOCK NUT      | 1   |            |                            |
| 11  | AH92662  | SEAL          | 1   |            |                            |
| 12  | H118698  | RETAINER      | 1   |            | (USE WITH EXISTING SCREWS) |
| 13  | H86918   | SCREW         | 2   |            |                            |
| 14  | H95507   | BLADE         | 1   |            |                            |
| 15  | H86259   | BELT          | 1   |            |                            |
| 16  | 37H149   | SCREW         | 11  |            | 1/4" X 3/8"                |
| 17  | AH108368 | SHIELD        | 1   |            |                            |
| 18  | 37H148   | SCREW         | 11  |            | 1/4" X 5/8"                |
|     | R54057   | SCREW         | 1   |            | (USE WITH 24H1436)         |
| 19  | 24H1917  | WASHER        | 1   |            | 21/64" X 1-15/32" X 7/64"  |
| 20  | 24H1436  | WASHER        | AR  |            | 15/16" X 1-3/4" X 0.134"   |
| 21  | H97175   | SHROUD        | 1   |            |                            |
| 22  | R53677   | LOCK NUT      | 9   |            |                            |
| 23  | 37H148   | SCREW         | 2   |            | 1/4" X 5/8"                |
|     | N10217   | LOCK NUT      | 2   |            |                            |
| 24  | H95324   | BLADE         | 1   |            |                            |
| 25  | H92012   | AIR DUCT      | 1   |            |                            |
| 26  | H97103   | COVER         | 1   |            |                            |

# 1C12

ENGINE

H32012F -UN-01JAN94

## ROTARY SCREEN DRIVE SHAFT



H32012F

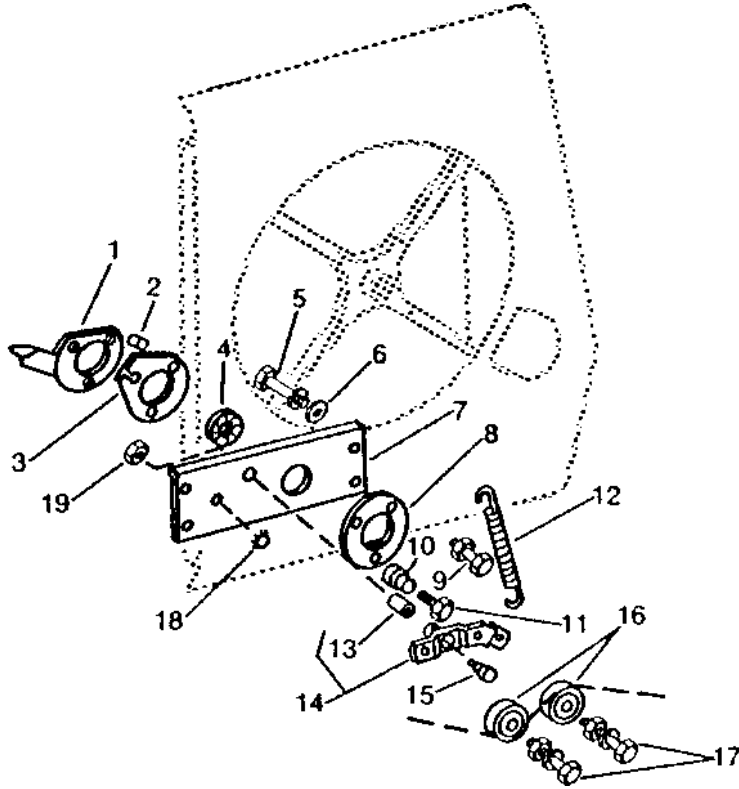
| KEY | PART NO. | PART NAME                | QTY | SERIAL NO.   | REMARKS                                     |
|-----|----------|--------------------------|-----|--|---|
| 1   | E10018   | PRESSED FLANGED HOUSING  | 4   |  |   |
| 2   | JD9246   | BALL BEARING             | 2   |  |   |
| 3   | 19H1936  | CAP SCREW                | 6   | 3/8" X 3/4"  |   |
|     | 12H304   | LOCK WASHER              | 6   | 3/8"   |   |
| 4   | 22H897   | SET SCREW                | 2   | 1/4" X 1/4"  |   |
| 5   | JD8551   | ECCENTRIC LOCKING COLLAR | 2   |  |   |
| 6   | H86262   | SHEAVE                   | 1   | 181 MM (7-1/8") DIA.   |   |
| 7   | H86263   | HUB                      | 1   |  |   |
| 8   | 14H732   | NUT                      | 2   | 3/8"   |   |
| 9   | 22H817   | SET SCREW                | 2   | 3/8" X 3/4"  |   |
| 10  | H86260   | SHEAVE                   | 1   | 168 MM (6-5/8") DIA. (CAB WITHOUT AIR<br>CONDITIONER AND LESS CAB) |   |
|     | H86262   | SHEAVE                   | 1   | 181 MM (7-1/8") DIA. (CAB WITH AIR<br>CONDITIONER)                 |   |
| 11  | 19H1906  | CAP SCREW                | 4   | 5/16" X 1-1/2"   |   |
|     | N10213   | LOCK NUT                 | 4   |  |   |
| 12  | .....    | KEY                      | 1   | (6 MM X 38 MM) (CUT FROM H64374 IN AH64587<br>KEY STOCK KIT)       |   |
| 13  | H94705   | COUNTERSHAFT             | 1   | -400000  | (USE WITH H96509 AND 19H3427) (SUB H103319) |
|     | H103319  | SHAFT                    | 1   |  |   |
| 14  | H96509   | SHEAVE                   | 1   | POLY-V   |   |
| 15  | 19H3427  | SCREW                    | 1   | 5/16" X 2"   |   |
| 16  | H87784   | SHIM                     | 2   |  |   |

# 1C13

ENGINE

HP597 -UN-01JAN94

## ROTARY SCREEN DRIVE BELT TIGHTENERS AND DISPLACER



HP597

| KEY | PART NO. | PART NAME   | QTY | SERIAL NO.               | REMARKS |
|-----|----------|-------------|-----|--------------------------|---------|
| 1   | AH89678  | HANDLE      | 1   | (A)                      |         |
| 2   | 28H1914  | BUSHING     | 3   | 1/4" X 7/8"              |         |
| 3   | H88458   | PLATE       | 1   | (A)                      |         |
| 4   | AH92661  | SEAL        | 1   | (A)                      |         |
| 5   | 19H1936  | CAP SCREW   | 4   | 3/8" X 3/4"              |         |
|     | 12H304   | LOCK WASHER | 4   | 3/8"                     |         |
| 6   | 24H1312  | WASHER      | 4   | 13/32" X 1-3/8" X 0.105" |         |
| 7   | .....    | PLATE       | 1   | (A) (SUB AH93325)        |         |
| 8   | H88457   | WASHER      | 1   | (A)                      |         |
| 9   | 19H1875  | CAP SCREW   | 2   | 5/16" X 1-3/4"           |         |
|     | M40699   | NUT         | 2   | (A)                      |         |
| 10  | H100197  | PIN         | 1   | (A)                      |         |
| 11  | 19H1949  | CAP SCREW   | 1   | 5/16" X 2-1/2"           |         |
| 12  | H86280   | SPRING      | 1   |                          |         |
| 13  | H91788   | BUSHING     | 1   | (USE WITH AH95281)       |         |
| 14  | AH95281  | ARM         | 1   |                          |         |
| 15  | H94562   | BOLT        | 1   |                          |         |
| 16  | AH87929  | SHEAVE      | 2   | 78 MM (3-1/16") DIA.     |         |
| 17  | 19H1732  | CAP SCREW   | 2   | 3/8" X 1-1/4"            |         |
| 18  | R28473   | PLUG        | 1   | (A)                      |         |
| 19  | N10215   | LOCK NUT    | 1   | (A)                      |         |
| ..  | AH93325  | DEVICE      | 1   | KIT, DISPLACER ASSEMBLY  |         |

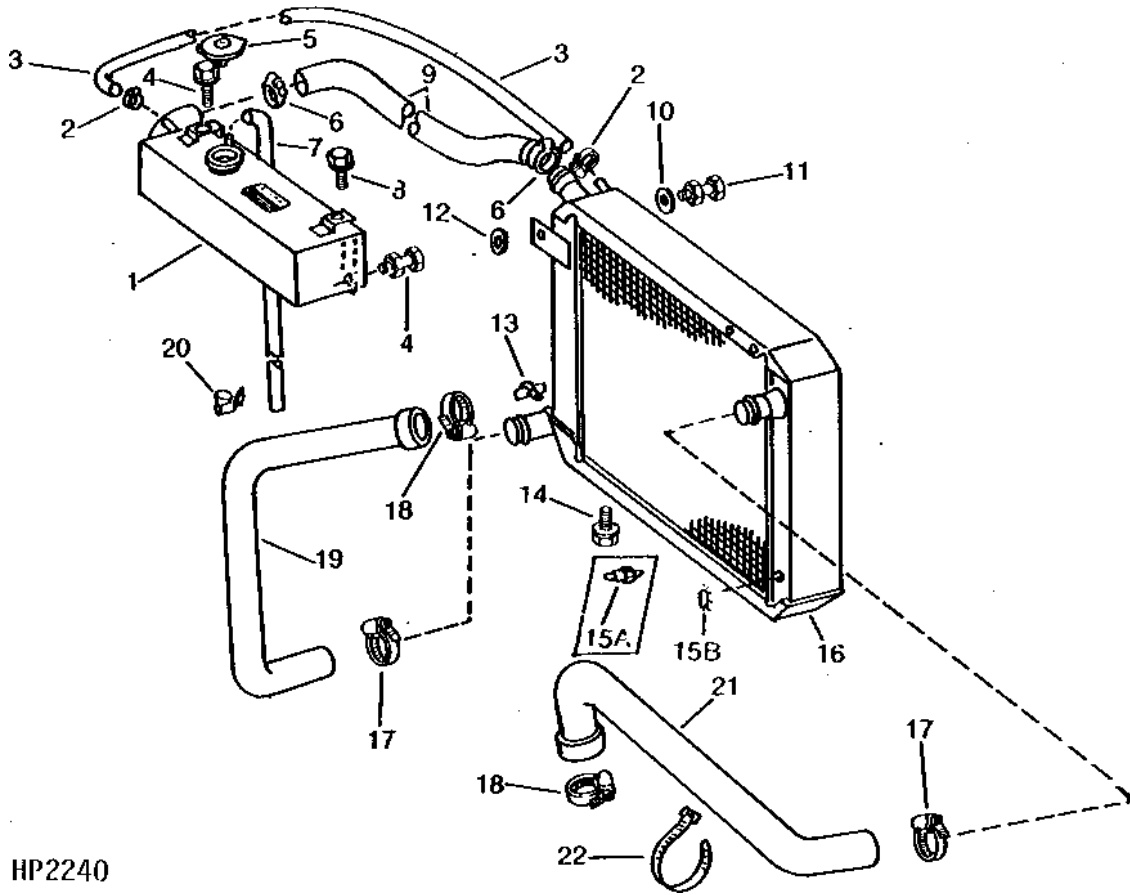
KIT LISTED BELOW CONSISTS OF ALL PARTS IDENTIFIED BY AN (A):

# 1C14

ENGINE

HP2240 -UN-01JAN94

## RADIATOR (USE WITH AIR CONDITIONER)



HP2240

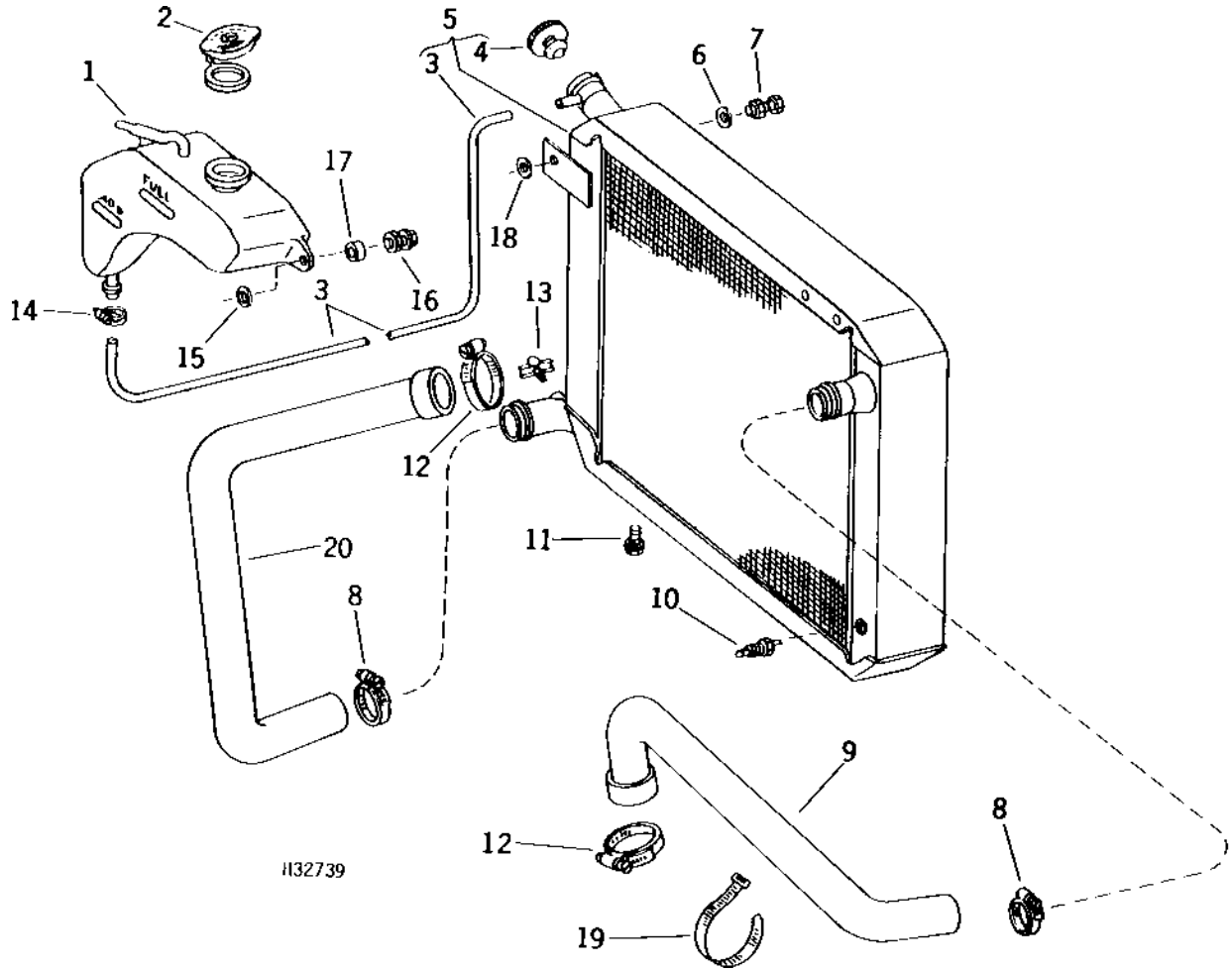
| KEY | PART NO. | PART NAME          | QTY | SERIAL NO. | REMARKS                  |
|-----|----------|--------------------|-----|------------|--------------------------|
| 1   | H92599   | TANK               | 1   |            | (WITH DECAL)             |
| 2   | AR48236  | CLAMP              | 2   |            |                          |
| 3   | H92726   | HOSE               | 1   |            |                          |
| 4   | N71292   | SELF-LOCKING SCREW | 3   |            |                          |
|     | N10213   | LOCK NUT           | 2   |            |                          |
| 5   | AN110020 | CAP                | 1   |            |                          |
| 6   | AR21839  | CLAMP              | 2   |            |                          |
| 7   | H86772   | HOSE               | 1   |            |                          |
| 8   | N10212   | SELF-LOCKING SCREW | 1   |            |                          |
| 9   | H92849   | RADIATOR HOSE      | 1   |            |                          |
| 10  | 24H1224  | WASHER             | 1   |            | 11/32" X 1" X 1/16"      |
| 11  | 19H1900  | CAP SCREW          | 1   |            | 5/16" X 3/4"             |
|     | N10213   | LOCK NUT           | 1   |            |                          |
| 12  | 24H1311  | WASHER             | 1   |            | 13/32" X 1-1/4" X 0.220" |
| 13  | AT13740  | DRAIN VALVE        | 1   |            |                          |
| 14  | N71292   | SELF-LOCKING SCREW | 3   |            |                          |
| 15A | AH87737  | SWITCH             | 1   | -600000    |                          |
| 15B | H87663   | PLUG               | 1   | 600001-    |                          |
| 16  | AH92498  | RADIATOR           | 1   |            |                          |
| 17  | AR21840  | CLAMP              | 2   |            |                          |
|     | AR21999  | HOSE CLAMP         | 2   |            |                          |
| 19  | H120438  | RADIATOR HOSE      | 1   |            | LOWER                    |
| 20  | H76064   | CLIP               | 2   |            |                          |
| 21  | H87279   | HOSE               | 1   |            | UPPER                    |
| 22  | R45440   | TIE BAND           | 1   |            |                          |

# 1C15

ENGINE

H32739 -UN-01JAN94

## RADIATOR (USE WITHOUT AIR CONDITIONER)



H32739

| KEY | PART NO. | PART NAME          | QTY | SERIAL NO. | REMARKS                  |
|-----|----------|--------------------|-----|------------|--------------------------|
| 1   | AH87560  | TANK               | 1   |            |                          |
| 2   | H86401   | CAP                | 1   |            |                          |
| 3   | H86772   | HOSE               | 1   |            |                          |
| 4   | AH87561  | CAP                | 1   |            |                          |
| 5   | AH88817  | RADIATOR           | 1   |            |                          |
| 6   | 24H1224  | WASHER             | 1   |            | 11/32" X 1" X 1/16"      |
| 7   | 19H1900  | CAP SCREW          | 1   |            | 5/16" X 3/4"             |
|     | N10213   | LOCK NUT           | 1   |            |                          |
| 8   | AR21840  | CLAMP              | 2   |            |                          |
| 9   | H87279   | HOSE               | 1   |            | UPPER                    |
| 10  | AH87737  | SWITCH             | 1   | -600000    |                          |
|     | 15H624   | PIPE PLUG          | 1   | 600001-    | 1/2"                     |
| 11  | N71292   | SELF-LOCKING SCREW | 3   |            |                          |
| 12  | AR21999  | HOSE CLAMP         | 2   |            |                          |
| 13  | AT13740  | DRAIN VALVE        | 1   |            |                          |
| 14  | AR21836  | CLAMP              | 1   |            |                          |
| 15  | 24H1136  | WASHER             | 2   |            | 11/32" X 11/16" X 0.065" |
| 16  | N10219   | SELF-LOCKING SCREW | 2   |            |                          |
|     | N10213   | LOCK NUT           | 2   |            |                          |
| 17  | H79784   | BUSHING            | 2   |            |                          |
| 18  | 24H1311  | WASHER             | 1   |            | 13/32" X 1-1/4" X 0.220" |
| 19  | R45440   | TIE BAND           | 1   |            |                          |
| 20  | H93310   | HOSE               | 1   |            | LOWER                    |

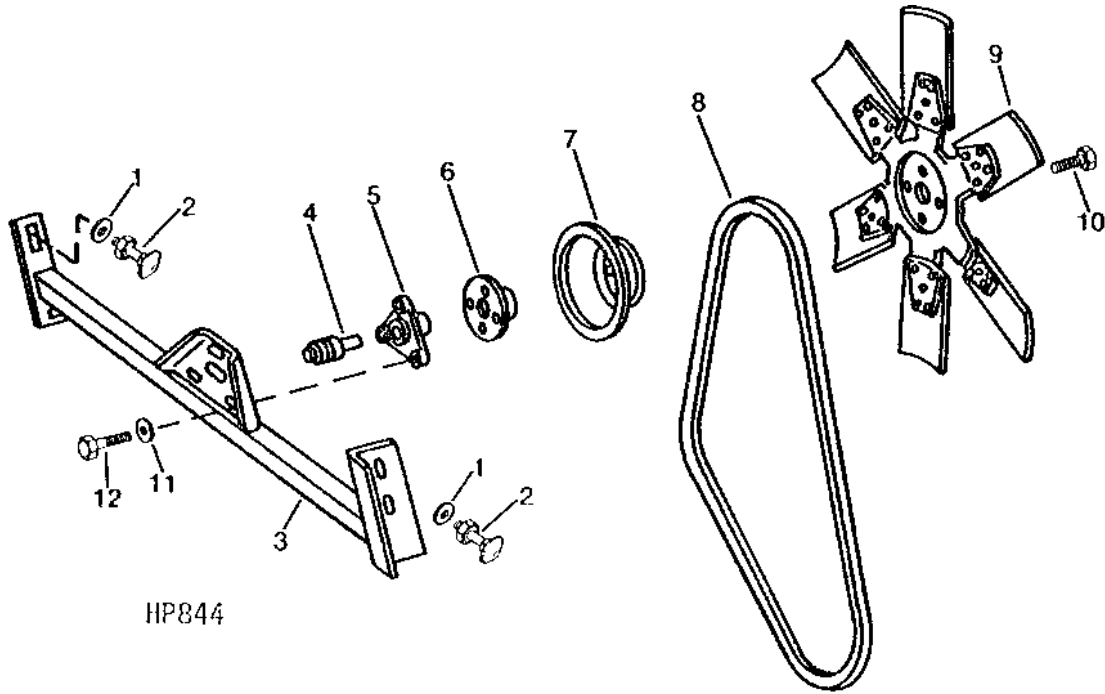
# 1C16

ENGINE

HP844

-UN-01JAN94

## FAN, SHEAVE, AND SUPPORT



HP844

| KEY | PART NO. | PART NAME          | QTY | SERIAL NO. | REMARKS                                    |
|-----|----------|--------------------|-----|------------|--|
| 1   | 24H1224  | WASHER             | 4   |            | 11/32" X 1" X 1/16"                        |
| 2   | 03H1709  | BOLT               | 4   |            | 5/16" X 1"                                 |
|     | N10213   | LOCK NUT           | 4   |            |  |
| 3   | AH90839  | SUPPORT            | 1   |            |  |
| 4   | JD9294   | BALL BEARING       | 1   |            |  |
| 5   | H92056   | HOUSING            | 1   |            |  |
| 6   | H84556   | HUB                | 1   |            |  |
| 7   | AH85041  | SHEAVE             | 1   |            | 196 MM (7-23/32") DIA.                     |
| 8   | H86271   | BELT               | 1   |            | (CAB WITHOUT AIR CONDITIONER AND LESS CAB) |
|     | H94373   | BELT               | 1   |            | (CAB WITH AIR CONDITIONER)                 |
| 9   | AH87533  | FAN                | 1   |            |  |
| 10  | 19H1731  | CAP SCREW          | 4   |            | 3/8" X 1"                                  |
| 11  | 24H1305  | WASHER             | 3   |            | 13/32" X 13/16" X 0.065"                   |
| 12  | N14822   | SELF-LOCKING SCREW | 3   |            |  |

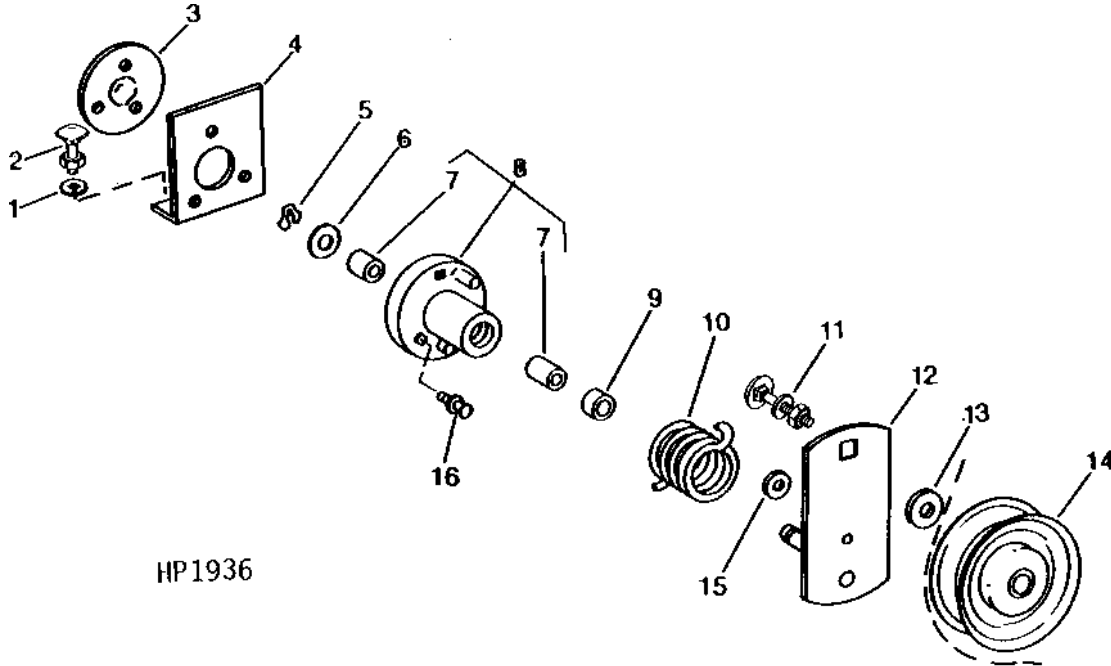


# 1C17

ENGINE

HP1936 -UN-01JAN94

## RADIATOR FAN DRIVE BELT TIGHTENER



HP1936

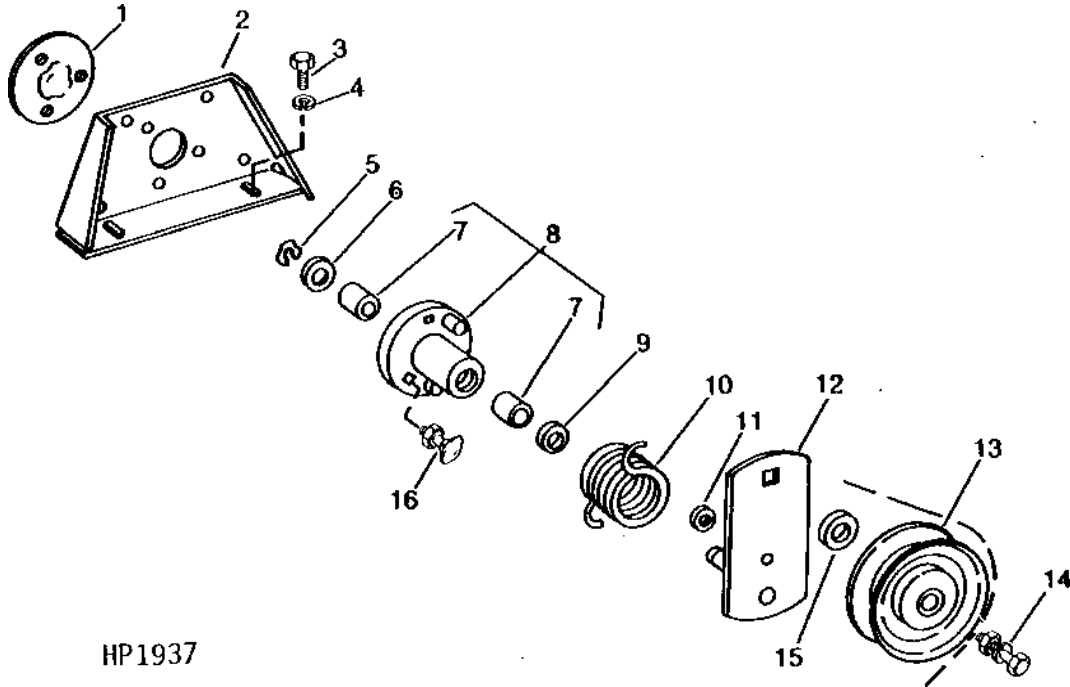
| KEY | PART NO. | PART NAME      | QTY | SERIAL NO. | REMARKS                  |
|-----|----------|----------------|-----|------------|--------------------------|
| 1   | 24H1653  | WASHER         | 2   |            | 13/32" X 1-1/4" X 0.120" |
| 2   | 03H1557  | BOLT           | 2   |            | 3/8" X 1-1/4"            |
|     | 12H304   | LOCK WASHER    | 2   |            | 3/8"                     |
|     | 14H812   | NUT            | 2   |            | 3/8"                     |
| 3   | H96424   | CAP            | 1   |            |                          |
| 4   | AH90288  | BRACKET        | 1   | -450000    | (SUB H109215)            |
|     | H109215  | BRACKET        | 1   |            |                          |
| 5   | H86839   | SNAP RING      | 1   |            |                          |
| 6   | 24H1362  | WASHER         | 1   |            | 41/64" X 1" X 0.075"     |
| 7   | H91788   | BUSHING        | 2   |            |                          |
| 8   | AH95011  | HUB            | 1   |            |                          |
| 9   | H96251   | WASHER         | 1   |            |                          |
| 10  | H86264   | TORSION SPRING | 1   |            | L.H. TORSION             |
| 11  | 03H1764  | BOLT           | 1   |            | 1/2" X 1-3/4"            |
|     | 12H301   | LOCK WASHER    | 1   |            | 1/2"                     |
|     | 14H1040  | NUT            | 1   |            | 1/2"                     |
| 12  | AH96492  | ARM            | 1   |            |                          |
| 13  | B31498   | WASHER         | 1   | -600000    | (SUB H88355)             |
|     | H88355   | WASHER         | 1   |            |                          |
| 14  | AH77172  | IDLER          | 1   |            | 102 MM (4") DIA.         |
| 15  | H86886   | NUT            | 1   |            |                          |
| 16  | 03H1937  | BOLT           | 3   |            | 5/16" X 1-1/4"           |
|     | N10213   | LOCK NUT       | 3   |            |                          |

# 1C18

ENGINE

HP1937 -UN-01JAN94

## RADIATOR FAN AND ROTARY SCREEN SHAFT DRIVE BELT TIGHTENER



HP1937

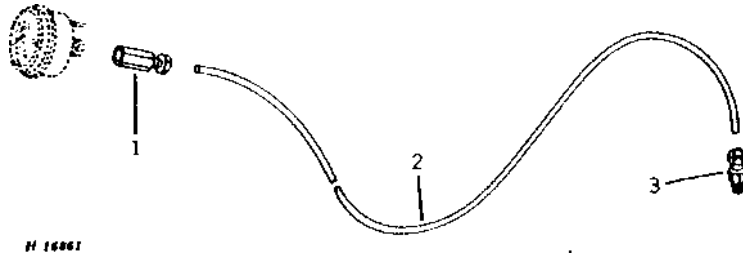
| KEY | PART NO. | PART NAME      | QTY | SERIAL NO. | REMARKS                  |
|-----|----------|----------------|-----|------------|--------------------------|
| 1   | H96424   | CAP            | 1   |            |                          |
| 2   | H86776   | BRACKET        | 1   |            |                          |
| 3   | 19H1936  | CAP SCREW      | 2   |            | 3/8" X 3/4"              |
|     | 12H304   | LOCK WASHER    | 2   |            | 3/8"                     |
| 4   | 24H1305  | WASHER         | 2   |            | 13/32" X 13/16" X 0.065" |
| 5   | H86839   | SNAP RING      | 1   |            |                          |
| 6   | 24H1362  | WASHER         | 1   |            | 41/64" X 1" X 0.075"     |
| 7   | H91788   | BUSHING        | 2   |            |                          |
| 8   | AH95011  | HUB            | 1   |            |                          |
| 9   | H96251   | WASHER         | 1   |            |                          |
| 10  | H86265   | TORSION SPRING | 1   |            | R.H. TORSION             |
| 11  | H86886   | NUT            | 1   |            |                          |
| 12  | AH96492  | ARM            | 1   |            |                          |
| 13  | AH77172  | IDLER          | 1   |            | 102 MM (4") DIA.         |
| 14  | H86514   | BOLT           | 1   |            |                          |
|     | 12H301   | LOCK WASHER    | 1   |            | 1/2"                     |
|     | 14H1040  | NUT            | 1   |            | 1/2"                     |
| 15  | B31498   | WASHER         | 1   | -600000    | (SUB H88355)             |
|     | H88355   | WASHER         | 1   |            |                          |
| 16  | 03H1524  | BOLT           | 3   |            | 5/16" X 1"               |
|     | N10213   | LOCK NUT       | 3   |            |                          |

# 1C19

ENGINE

H16861 -UN-01JAN94

## OIL PRESSURE GAUGE TUBE



| KEY | PART NO. | PART NAME | QTY | SERIAL NO. | REMARKS                                |
|-----|----------|-----------|-----|------------|--|
| 1   | AT25265  | FITTING   | 1   |            |  |
| 2   | .....    | TUBE      | 1   |            | (1067 MM) (42") LONG (CUT FROM H86108) |
| 3   | AT25264  | FITTING   | 1   |            |  |

---

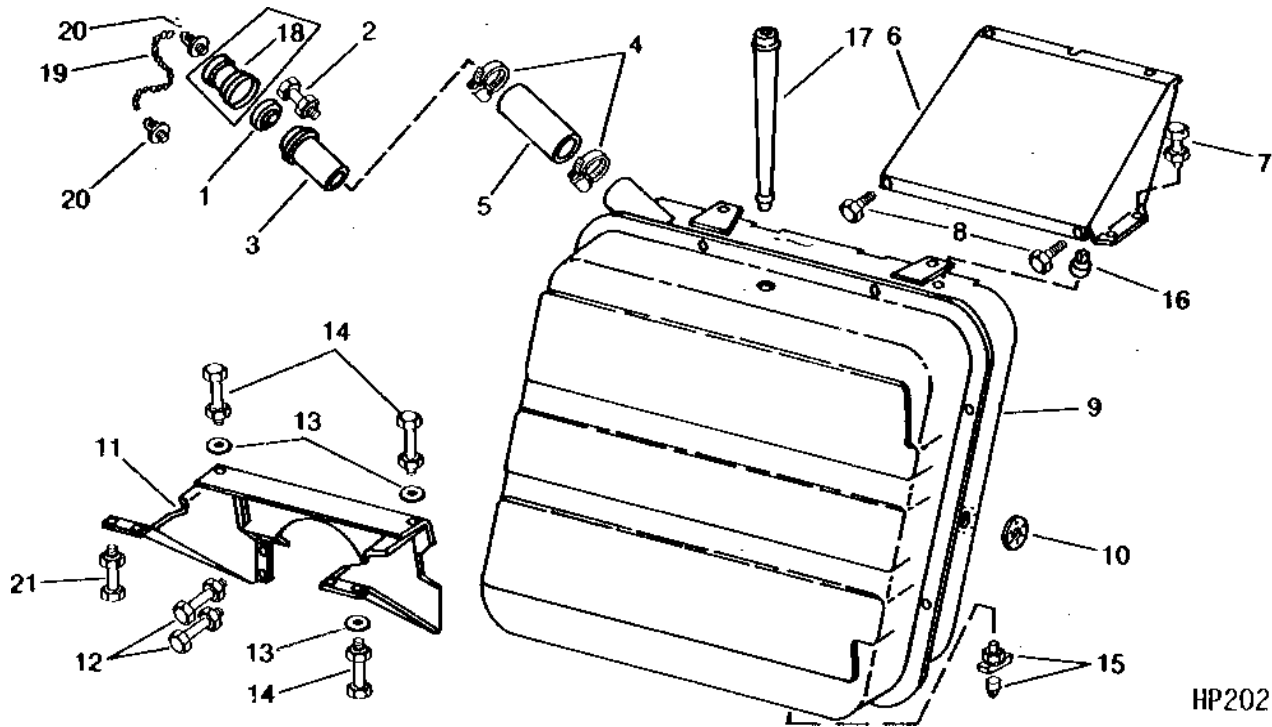
MEMORANDA

# 1C22

FUEL AND AIR

HP2026 -UN-01JAN94

## FUEL TANK AND SUPPORTS



HP2026

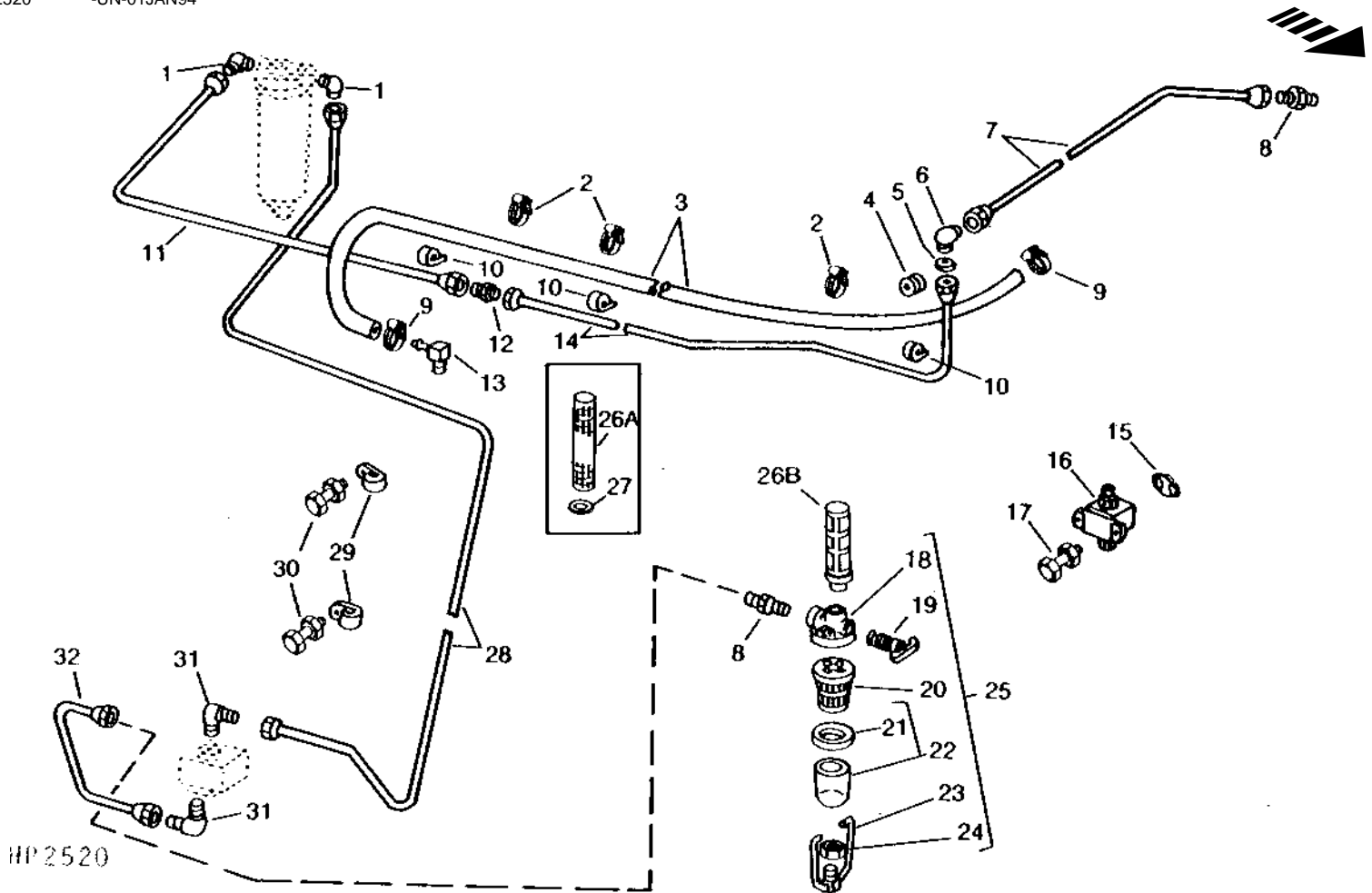
| KEY | PART NO. | PART NAME          | QTY | SERIAL NO. | REMARKS                    |
|-----|----------|--------------------|-----|------------|----------------------------|
| 1   | AH97868  | CAP                | 1   | -451640    | NON-VENTED, (SUB AH110230) |
|     | AH110230 | CAP                | 1   |            | VENTED                     |
| 2   | 21H1310  | SCREW              | 2   |            | 1/4" X 1/2"                |
|     | 14H786   | NUT                | 2   |            | 1/4"                       |
| 3   | AH83337  | FILLER NECK        | 1   |            |                            |
| 4   | AR21999  | HOSE CLAMP         | 2   |            |                            |
| 5   | H76165   | HOSE               | 1   |            |                            |
| 6   | H76162   | BRACKET            | 1   |            | UPPER                      |
| 7   | 19H1813  | CAP SCREW          | 2   | -450000    | 5/16" X 5/8"               |
|     | 14H785   | NUT                | 2   | -450000    | 5/16"                      |
|     | N10212   | SELF-LOCKING SCREW | 2   | 450001-    |                            |
|     | N10213   | LOCK NUT           | 2   | 450001-    |                            |
| 8   | H76139   | SCREW              | 2   |            | SELF-TAPPING               |
| 9   | AH93230  | FUEL TANK          | 1   |            |                            |
| 10  | H105967  | GASKET             | 1   |            |                            |
| 11  | AH75543  | SUPPORT            | 1   |            | LOWER                      |
|     | 19H1907  | CAP SCREW          | 2   |            | 5/16" X 2-3/4"             |
| 12  | 14H812   | NUT                | 2   |            | 3/8"                       |
|     | 24H1136  | WASHER             | 4   | -450000    | 11/32" X 11/16" X 0.065"   |
| 13  | 19H2127  | CAP SCREW          | 4   |            | 5/16" X 7/8"               |
|     | 14H785   | NUT                | 4   |            | 5/16"                      |
| 15  | AH20936  | VALVE              | 1   |            |                            |
| 16  | 15H638   | PIPE PLUG          | 1   |            | 1/8"                       |
|     | AH96547  | BREATHER           | 1   |            |                            |
| 18  | H99234   | COVER              | 1   | -600000    |                            |
| 19  | AH97869  | LINK CHAIN         | 1   |            |                            |
| 20  | H99897   | RETAINER           | 2   |            |                            |
| 21  | 19H2127  | CAP SCREW          | 2   | -450000    | 5/16" X 7/8"               |
|     | 14H785   | NUT                | 2   | -450000    | 5/16"                      |
|     | N10212   | SELF-LOCKING SCREW | 2   | 450001-    |                            |
|     | N10213   | LOCK NUT           | 2   | 450001-    |                            |

# 1C23

FUEL AND AIR

HP2520 -UN-01JAN94

## FUEL LINES AND PUMP



| KEY | PART NO. | PART NAME          | QTY | SERIAL NO. | REMARKS   |
|-----|----------|--------------------|-----|------------|---|
| 1   | U45538   | ELBOW FITTING      | 2   |            | 90°, (SUB FOR H81734)                               |
| 2   | M66044   | TIE BAND           | 3   |            |   |
| 3   | .....    | HOSE               | 1   |            | 6 MM X 2591 MM (1/4" X 112") LONG (CUT FROM H83966) |
| 4   | H79481   | GROMMET            | 1   |            |   |
| 5   | R27296   | NUT                | 1   |            |   |
| 6   | AR35981  | ELBOW FITTING      | 1   |            |   |
| 7   | AH83462  | FUEL LINE          | 1   |            | UPPER   |
| 8   | R27346   | FITTING            | 2   |            |   |
| 9   | T13254   | CLAMP              | 2   |            |   |
| 10  | AH77279  | CLIP               | 3   |            |   |
| 11  | AH80244  | FUEL LINE          | 1   |            | MIDDLE (WITH AUXILIARY FUEL FILTER)                 |
| 12  | R50201   | FITTING            | 1   |            |   |
| 13  | H83287   | HOSE FITTING       | 1   |            | 90°   |
| 14  | AH77277  | FUEL LINE          | 1   |            | MIDDLE  |
| 15  | H101158  | TRANSISTOR         | 1   |            |   |
| 16  | AH107362 | PUMP               | 1   |            | (SUB FOR H80665)                                    |
| 17  | 19H1227  | CAP SCREW          | 2   | -450000    | 1/4" X 1/2"   |
|     | 14H786   | NUT                | 2   | -450000    | 1/4"  |
|     | N14820   | SELF-LOCKING SCREW | 2   | 450001-    |   |
|     | N10217   | LOCK NUT           | 2   | 450001-    |   |
| 18  | .....    | HOUSING            | 1   |            |   |
| 19  | AH98799  | VALVE              | 1   |            | ("T" HANDLE)  |
|     | AA4298R  | SHUT-OFF VALVE     | 1   |            | ("L" HANDLE)  |
| 20  | AH96221  | SCREEN             | 1   |            |   |

# 1C24

FUEL AND AIR

## FUEL LINES AND PUMP - CONTINUED

| KEY | PART NO. | PART NAME     | QTY | SERIAL NO.    | REMARKS                                  |
|-----|----------|---------------|-----|---------------|--|
| 21  | C1778R   | GASKET        | 1   |               |  |
| 22  | AA4507R  | SEDIMENT BOWL | 1   |               |  |
| 23  | AA517R   | BAIL          | 1   |               |  |
| 24  | R21752   | NUT           | 1   |               |  |
| 25  | AH97859  | FUEL FILTER   | 1   | -450000       | ("T" HANDLE) (SUB AH106484 AND AH106982) |
|     | AH106484 | FUEL FILTER   | 1   |               | ("T" HANDLE) (USE WITH AH106982)         |
| 26A | AH105136 | SCREEN        | 1   | 400001-450000 |  |
| 26B | AH106982 | SCREEN        | 1   | 450001-       |  |
| 27  | R10093   | O-RING        | 1   | 400001-450000 |  |
| 28  | AH80242  | FUEL LINE     | 1   |               | (WITH AUXILIARY FUEL FILTER)             |
|     | AH77926  | FUEL LINE     | 1   |               |  |
| 29  | T32231   | CLAMP         | 2   |               |  |
| 30  | 19H1900  | CAP SCREW     | 2   |               | 5/16" X 3/4"                             |
|     | 14H785   | NUT           | 2   |               | 5/16"                                    |
| 31  | AR26674  | ELBOW FITTING | 2   |               |  |
| 32  | AH75547  | FUEL LINE     | 1   |               |  |

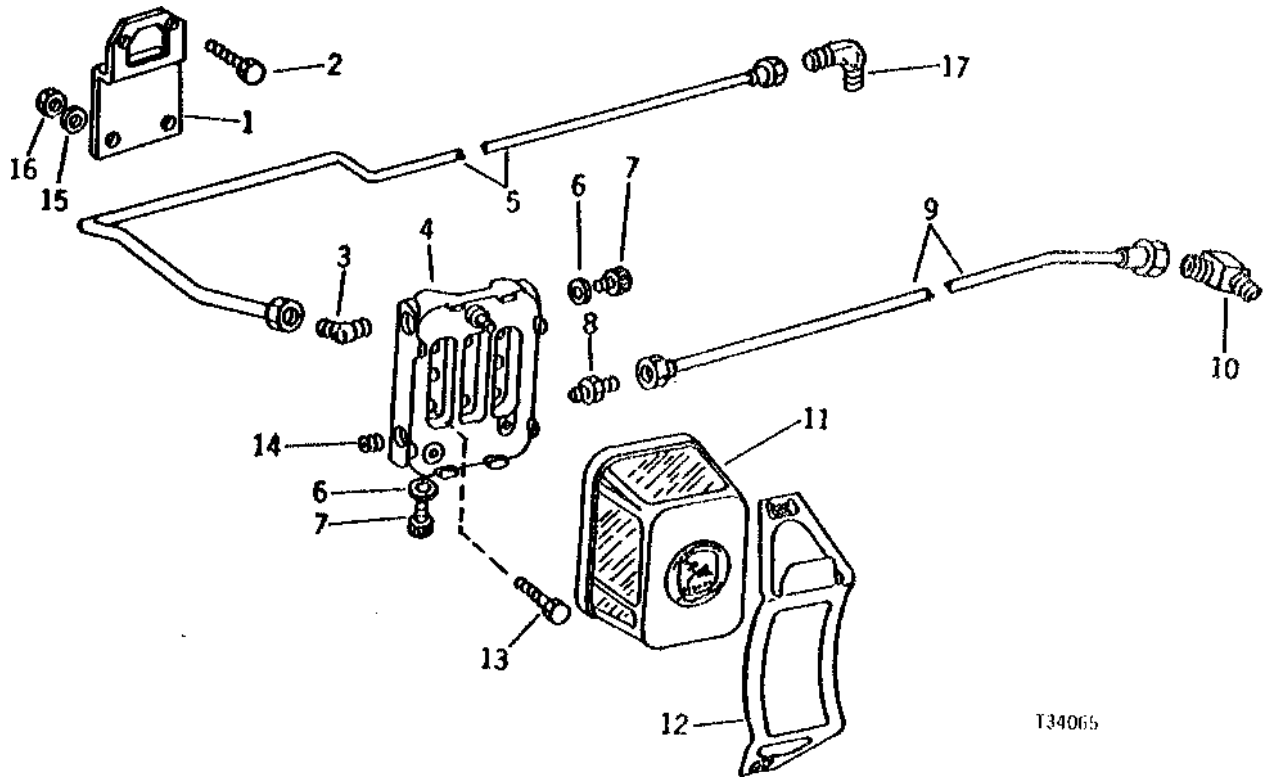
# 1C25

FUEL AND AIR

## FUEL FILTER (6329DH)

T34065

-UN-01JAN94



T34065

| KEY | PART NO. | PART NAME      | QTY | SERIAL NO.  | REMARKS                             |
|-----|----------|----------------|-----|-------------|-------------------------------------|
| 1   | R56832   | BRACKET        | 1   |             |                                     |
| 2   | 19H1134  | CAP SCREW      | 2   | 3/8" X 3/4" |                                     |
| 3   | T24945   | ELBOW FITTING  | 1   |             |                                     |
| 4   | AR50040  | HOUSING        | 1   |             |                                     |
| 5   | AR67858  | FUEL LINE      | 1   |             | (FUEL FILTER TO INJECTION PUMP)     |
| 6   | R34447   | WASHER         | 2   |             |                                     |
| 7   | R48071   | DRAIN PLUG     | 2   |             |                                     |
| 8   | R27346   | FITTING        | 1   |             |                                     |
| 9   | AR67860  | FUEL LINE      | 1   |             | (FUEL FILTER TO FUEL TRANSFER PUMP) |
| 10  | T30738   | ELBOW FITTING  | 1   |             |                                     |
| 11  | AR86745  | FILTER ELEMENT | 1   |             | (SUB FOR AR50041)                   |
| 12  | R66821   | CLAMP          | 1   |             | (SUB FOR R57258)                    |
| 13  | 19H2284  | CAP SCREW      | 2   | 3/8" X 7/8" |                                     |
| 14  | 15H558   | PIPE PLUG      | 1   | 1/8"        |                                     |
| 15  | 12H304   | LOCK WASHER    | 2   | 3/8"        |                                     |
| 16  | 14H812   | NUT            | 2   | 3/8"        |                                     |
| 17  | R48008   | ELBOW FITTING  | 1   |             |                                     |

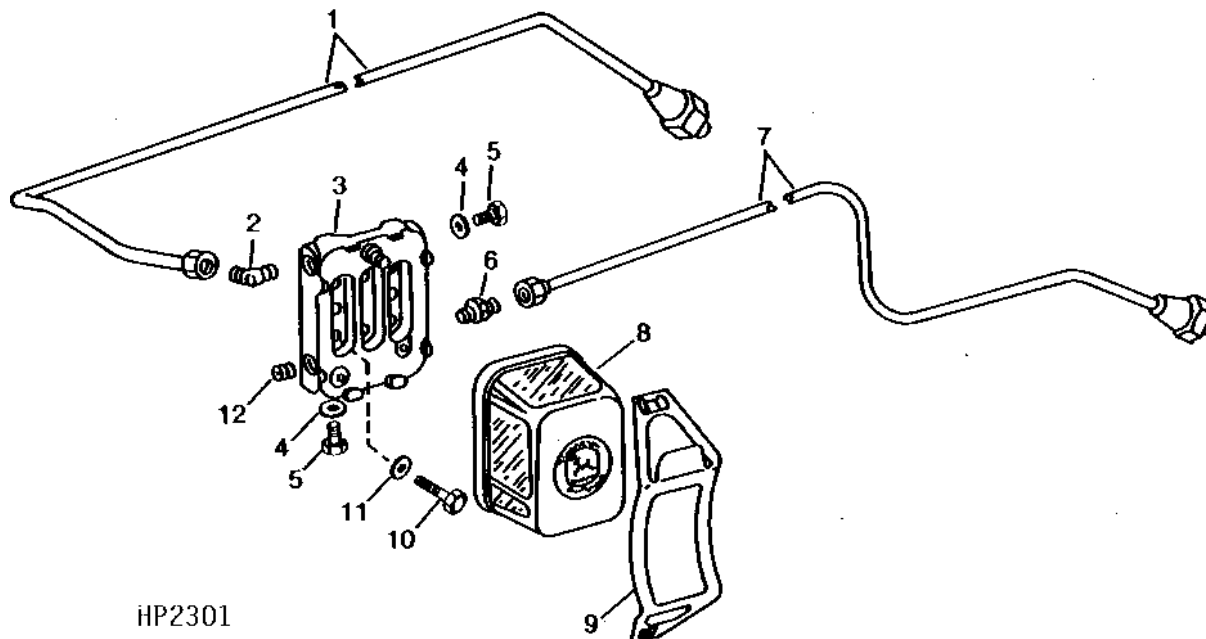


# 1D1

FUEL AND AIR

HP2301 -UN-01JAN94

## FUEL FILTER AND LINES (6359DH)



HP2301

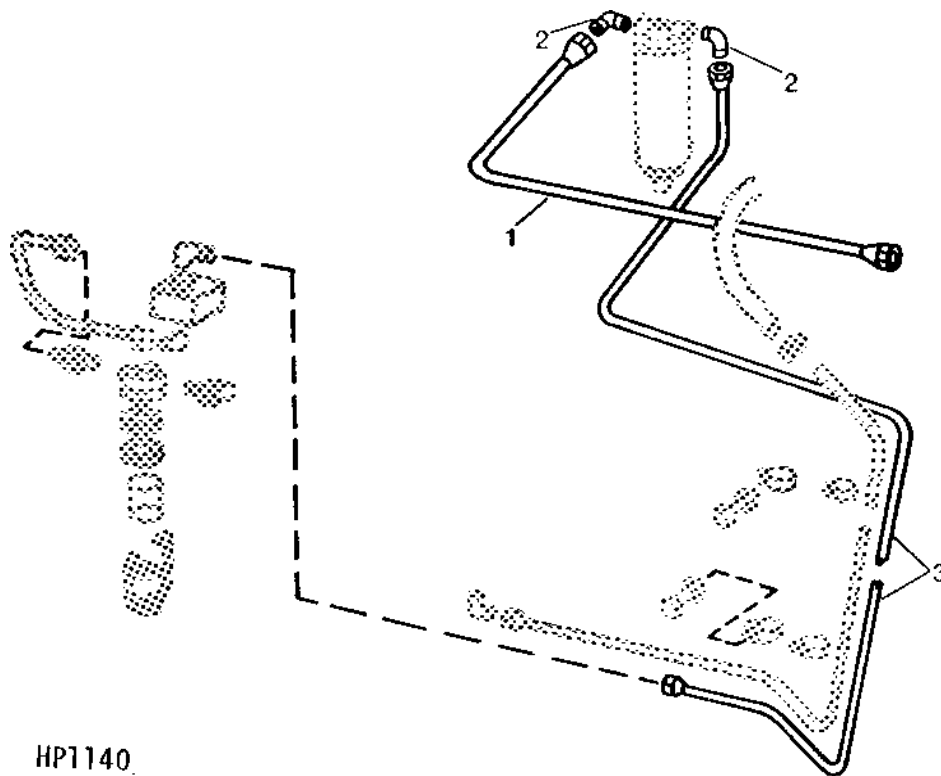
| KEY | PART NO. | PART NAME      | QTY | SERIAL NO.               | REMARKS                             |
|-----|----------|----------------|-----|--------------------------|-------------------------------------|
| 1   | AR63954  | FUEL LINE      | 1   |                          | (FUEL FILTER TO INJECTION PUMP)     |
| 2   | T30738   | ELBOW FITTING  | 1   |                          |                                     |
| 3   | AR50040  | HOUSING        | 1   |                          |                                     |
| 4   | R26287   | O-RING         | 2   |                          |                                     |
| 5   | R48071   | DRAIN PLUG     | 2   |                          |                                     |
| 6   | R27346   | FITTING        | 1   |                          |                                     |
| 7   | AR84732  | FUEL LINE      | 1   |                          | (FUEL FILTER TO FUEL TRANSFER PUMP) |
| 8   | AR86745  | FILTER ELEMENT | 1   |                          | (SUB FOR AR50041)                   |
| 9   | R66821   | CLAMP          | 1   |                          |                                     |
| 10  | 19H1731  | CAP SCREW      | 2   | 3/8" X 1"                |                                     |
| 11  | 24H1303  | WASHER         | 2   | 13/32" X 11/16" X 0.065" |                                     |
| 12  | 15H558   | PIPE PLUG      | 1   | 1/8"                     |                                     |

# 1D2

FUEL AND AIR

HP1140 -UN-01JAN94

## FUEL LINES (FOR EXPORT USE ONLY)



HP1140

| KEY | PART NO. | PART NAME     | QTY | SERIAL NO. | REMARKS |
|-----|----------|---------------|-----|------------|---------|
| 1   | AH80244  | FUEL LINE     | 1   |            |         |
| 2   | H81734   | ELBOW FITTING | 2   | 90°        |         |
| 3   | AH80242  | FUEL LINE     | 1   |            |         |

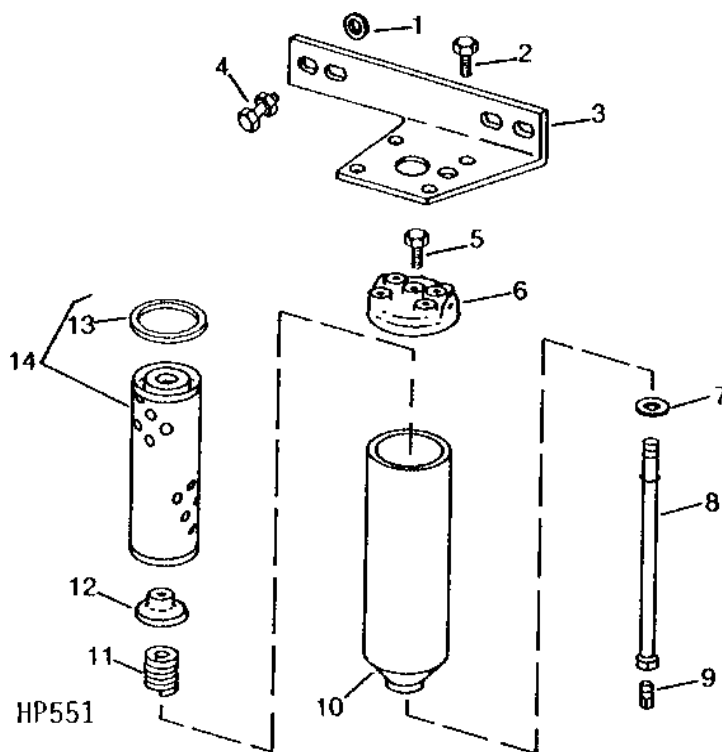
# 1D3

FUEL AND AIR

HP551

-UN-01JAN94

## FUEL FILTER (FOR EXPORT USE ONLY)

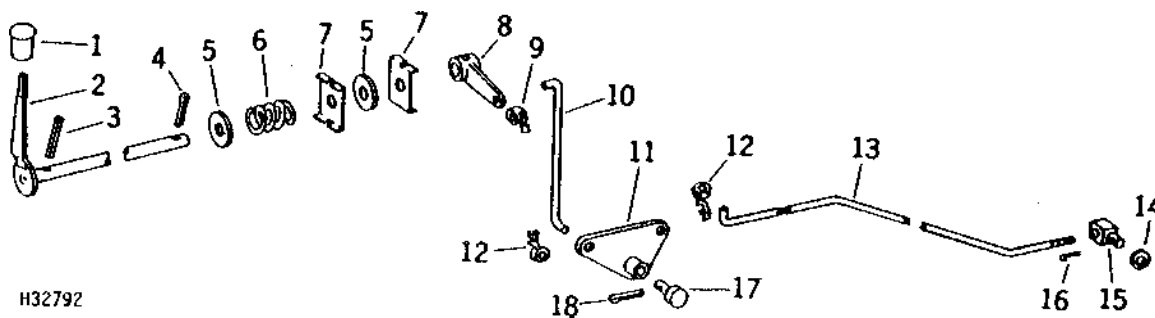


| KEY | PART NO. | PART NAME          | QTY | SERIAL NO.               | REMARKS                        |
|-----|----------|--------------------|-----|--------------------------|--------------------------------|
| 1   | 19H1936  | CAP SCREW          | 4   | 3/8" X 3/4"              |                                |
| 2   | 24H1136  | WASHER             | 2   | 11/32" X 11/16" X 0.065" |                                |
| 3   | H88949   | BRACKET            | 1   |                          |                                |
| 4   | H81528   | SCREW              | 2   | -317200                  | (SUB N10212, THIS APPLICATION) |
|     | N10212   | SELF-LOCKING SCREW | 2   |                          |                                |
|     | H77210   | NUT                | 2   |                          |                                |
| 5   | P53007   | BLEED SCREW        | 2   |                          |                                |
| 6   | P53005   | COVER              | 1   |                          |                                |
| 7   | P53022   | WASHER             | 1   |                          |                                |
| 8   | P54602   | SCREW              | 1   | (USE WITH 14H253)        |                                |
| 9   | 14H253   | NUT                | 1   | 5/16"                    |                                |
| 10  | AP27684  | BOWL               | 1   |                          |                                |
| 11  | AP27685  | EXTENSION SPRING   | 1   |                          |                                |
| 12  | AP27686  | ADAPTER            | 1   |                          |                                |
| 13  | P53006   | GASKET             | 1   |                          |                                |
| 14  | AP27010  | FILTER ELEMENT     | 1   | -400987                  | (SUB AP27688)                  |
|     | AP27688  | FILTER ELEMENT     | 1   |                          |                                |

# 1D4

H32792 -UN-01JAN94

## THROTTLE CONTROLS



H32792

| KEY | PART NO. | PART NAME  | QTY | SERIAL NO. | REMARKS                      |
|-----|----------|------------|-----|------------|------------------------------|
| 1   | H87467   | KNOB       | 1   |            |                              |
| 2   | AH97872  | LEVER      | 1   |            |                              |
| 3   | 34H290   | SPRING PIN | 1   |            | 3/16" X 2"                   |
| 4   | 11H218   | COTTER PIN | 1   |            | 3/16" X 1-1/2"               |
| 5   | H78110   | WASHER     | 2   |            |                              |
| 6   | H574B    | SPRING     | 1   |            |                              |
| 7   | H78111   | RETAINER   | 2   |            |                              |
| 8   | H77243   | ARM        | 1   |            |                              |
| 9   | R26524   | CLIP       | 1   |            | CLEVIS, R.H.                 |
| 10  | H77240   | PIN        | 1   |            | THROTTLE, UPPER              |
| 11  | AH76121  | BRACKET    | 1   |            |                              |
| 12  | R26501   | CLIP       | 2   |            | CLEVIS, L.H.                 |
| 13  | H83348   | ROD        | 1   | -450000    | (SUB H110199)                |
|     | H110199  | ROD        | 1   | -600000    | INJECTION PUMP (DOUBLE BEND) |
|     | H121847  | HOOK BOLT  | 1   | 600001-    |                              |
| 14  | 24H1287  | WASHER     | 1   |            | 9/32" X 5/8" X 0.065"        |
| 15  | H28108   | SWIVEL     | 1   |            |                              |
| 16  | 11H206   | COTTER PIN | 1   |            | 3/32" X 3/4"                 |
| 17  | H77244   | PIN        | 1   |            |                              |
| 18  | 11H206   | COTTER PIN | 1   |            | 3/32" X 3/4"                 |

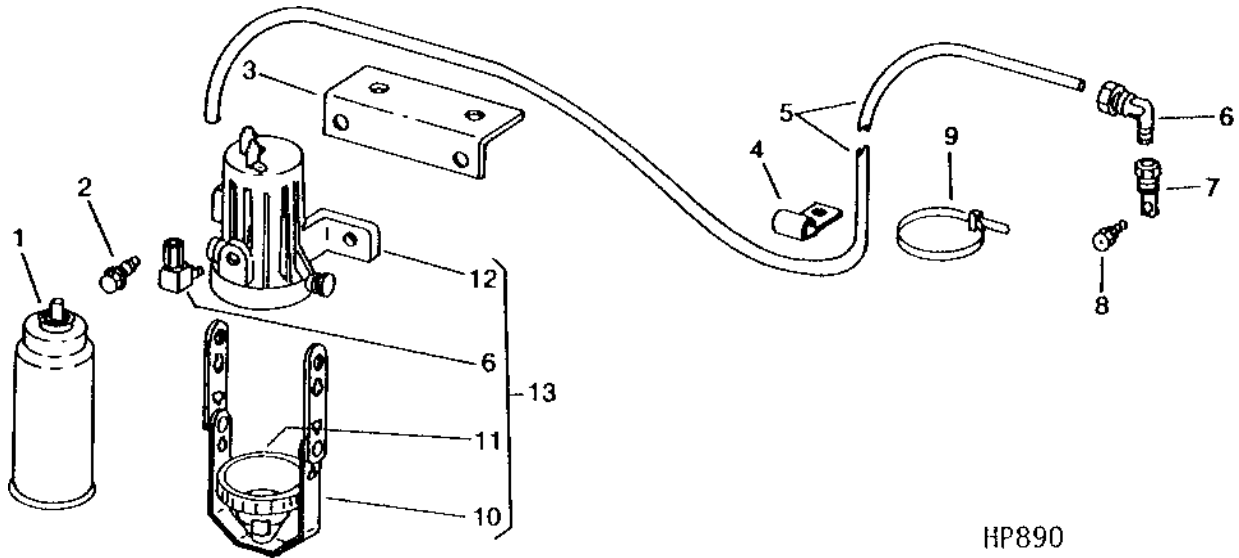
# 1D5

FUEL AND AIR

HP890

-UN-01JAN94

## COLD WEATHER STARTING AID



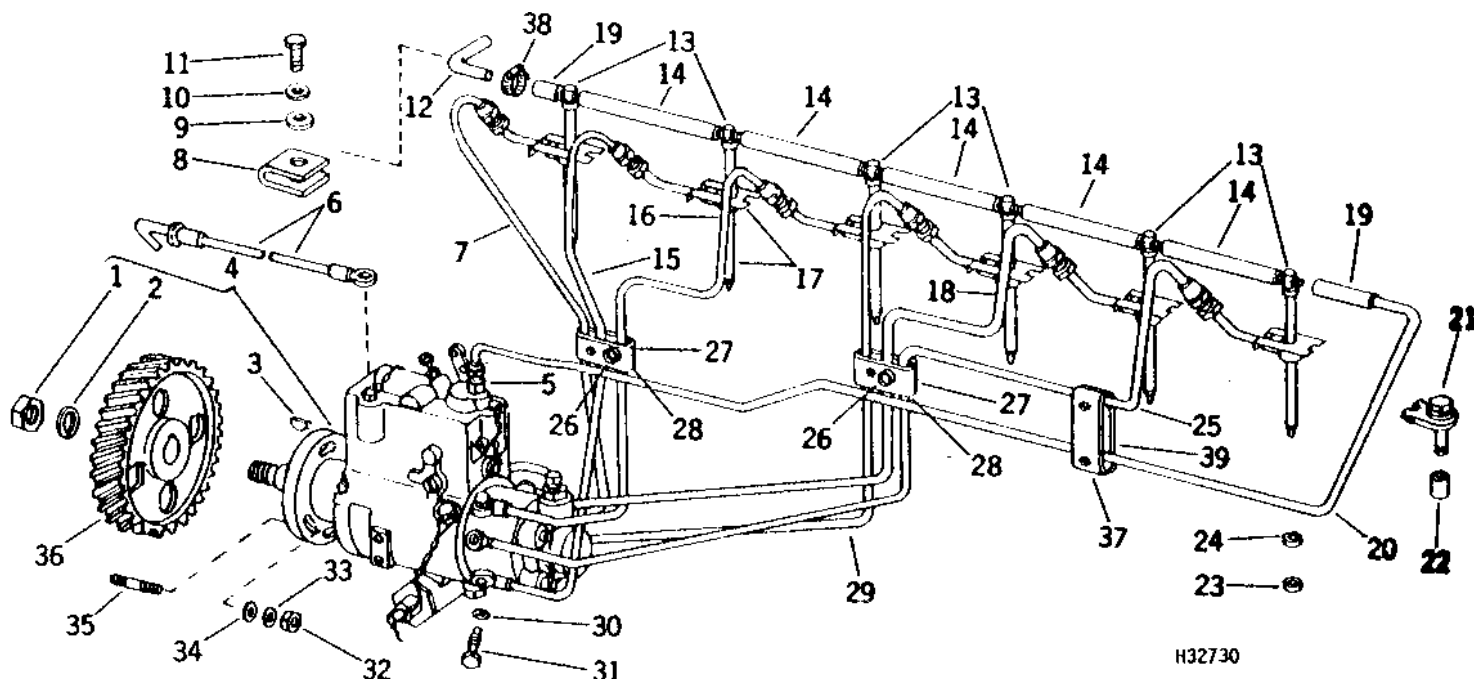
| KEY | PART NO. | PART NAME      | QTY | SERIAL NO.    | REMARKS        |
|-----|----------|----------------|-----|---------------|----------------|
| 1   | AR27814  | STARTING FLUID | 1   |               |                |
| 2   | H76139   | SCREW          | 2   |               |                |
| 3   | H89659   | BRACKET        | 1   | -401580       | (SUB H103273)  |
| 4   | T32231   | CLAMP          | 1   |               | INSULATED      |
| 5   | H86108   | LINE           | 1   |               | STARTING FLUID |
| 6   | AT25266  | ELBOW FITTING  | 2   |               |                |
|     | 15H638   | PIPE PLUG      | 2   |               | 1/8"           |
| 7   | R47160   | NOZZLE HOLDER  | 1   |               |                |
| 8   | R28583   | NOZZLE         | 1   |               |                |
| 9   | M66044   | TIE BAND       | 3   |               |                |
| 10  | AT57288  | BAIL           | 1   |               |                |
| 11  | T46726   | GASKET         | 1   |               |                |
| 12  | .....    | SOLENOID       | 1   | (SUB AT39623) |                |
| 13  | AT39623  | SOLENOID       | 1   |               |                |

# 1D6

FUEL AND AIR

FUEL INJECTION SYSTEM  
(6329DH)  
(ROOSA-MASTER NO. JDB635MD3055)  
(ENGINE SERIAL NO. -505383)

H32730 -UN-01JAN94



H32730

| KEY | PART NO. | PART NAME           | QTY | SERIAL NO.  | REMARKS |
|-----|----------|---------------------|-----|---|---------|
| 1   | R48599   | NUT                 | 1   |   |         |
| 2   | R48600   | LOCK WASHER         | 1   |   |         |
| 3   | 26H10    | SHAFT KEY           | 1   | 5/32" X 5/8"  |         |
| 4   | AR79462  | FUEL INJECTION PUMP | 1   | (ROOSA-MASTER NO. JDB635MD3055)                               |         |
| 5   | T13201   | ELBOW FITTING       | 1   |   |         |
| 6   | AR49907  | WIRING LEAD         | 1   | (INJECTION PUMP SHUT-OFF TERMINAL)                            |         |
| 7   | AR68962  | FUEL LINE           | 1   | (FUEL INJECTION NO. 1)  |         |
| 8   | T13913   | CLIP                | 1   |   |         |
| 9   | R64764   | WASHER              | 1   | (SUB FOR L186T)   |         |
| 10  | 12H302   | LOCK WASHER         | 1   | 1/4"  |         |
| 11  | 19H2036  | CAP SCREW           | 1   | 1/4" X 7/8"   |         |
| 12  | R56830   | TUBE                | 1   |   |         |
| 13  | AT27622  | CAP                 | 6   |   |         |
| 14  | .....    | HOSE                | 5   | (CUT FROM AT32064)  |         |
| 15  | AR68963  | FUEL LINE           | 1   | (FUEL INJECTION NO. 2)  |         |
| 16  | AR68964  | FUEL LINE           | 1   | (FUEL INJECTION NO. 3)  |         |
| 17  | AR88239  | INJECTION NOZZLE    | 6   | (ROOSA-MASTER NO. 22042)                                      |         |
| 18  | AR68966  | FUEL LINE           | 1   | (FUEL INJECTION NO. 5)  |         |
| 19  | .....    | HOSE                | 2   | 35.6 MM (1.40") (CUT FROM AT32064)                            |         |
| 20  | AR49915  | FUEL LINE           | 1   | (FUEL INJECTION PUMP LEAK-OFF)                                |         |
| 21  | R34760   | CLAMP               | 6   |   |         |
| 22  | R34761   | SPACER              | 6   | (SUB (6) RE13887, THIS APPLICATION)                           |         |
|     | R60745   | SPACER              | 6   | (K)   |         |
| 23  | R48000   | WASHER              | 6   |   |         |
| 24  | R60746   | WASHER              | 6   | (K) (USE WITH AR88239) (USE AFTER RE13887 HAS BEEN INSTALLED) |         |
| 25  | AR68967  | FUEL LINE           | 1   | (FUEL INJECTION NO. 6)  |         |
| 26  | AR76704  | SCREW               | 6   |   |         |
| 27  | R59297   | HALF CLAMP          | 2   |   |         |
|     | R59298   | STRAP               | 2   |   |         |
|     | R61145   | STRAP               | 2   |   |         |
| 28  | R59297   | HALF CLAMP          | 2   |   |         |
| 29  | AR68965  | FUEL LINE           | 1   | (FUEL INJECTION NO. 4)  |         |
| 30  | T20055   | WASHER              | 12  |   |         |
| 31  | R26726   | FITTING             | 6   |   |         |
| 32  | 14H812   | NUT                 | 2   | 3/8"  |         |
| 33  | 12H304   | LOCK WASHER         | 2   | 3/8"  |         |

(K) KIT RE13887

# 1D7

FUEL AND AIR

FUEL INJECTION SYSTEM - CONTINUED  
(6329DH)  
(ROOSA-MASTER NO. JDB635MD3055)  
(ENGINE SERIAL NO. -505383)

| KEY | PART NO. | PART NAME | QTY | SERIAL NO. | REMARKS |
|-----|----------|-----------|-----|------------|---------|
| 34  | 24H1303  | WASHER    | 2   |            |         |
| 35  | T20052   | STUD      | 2   |            |         |
| 36  | T20165   | GEAR      | 1   |            |         |
| 37  | R64810   | CLAMP     | 1   |            |         |
|     | R59298   | STRAP     | 1   |            |         |
|     | R61145   | STRAP     | 1   |            |         |
| 38  | AR48236  | CLAMP     | 1   |            |         |
| 39  | R64810   | CLAMP     | 1   |            |         |

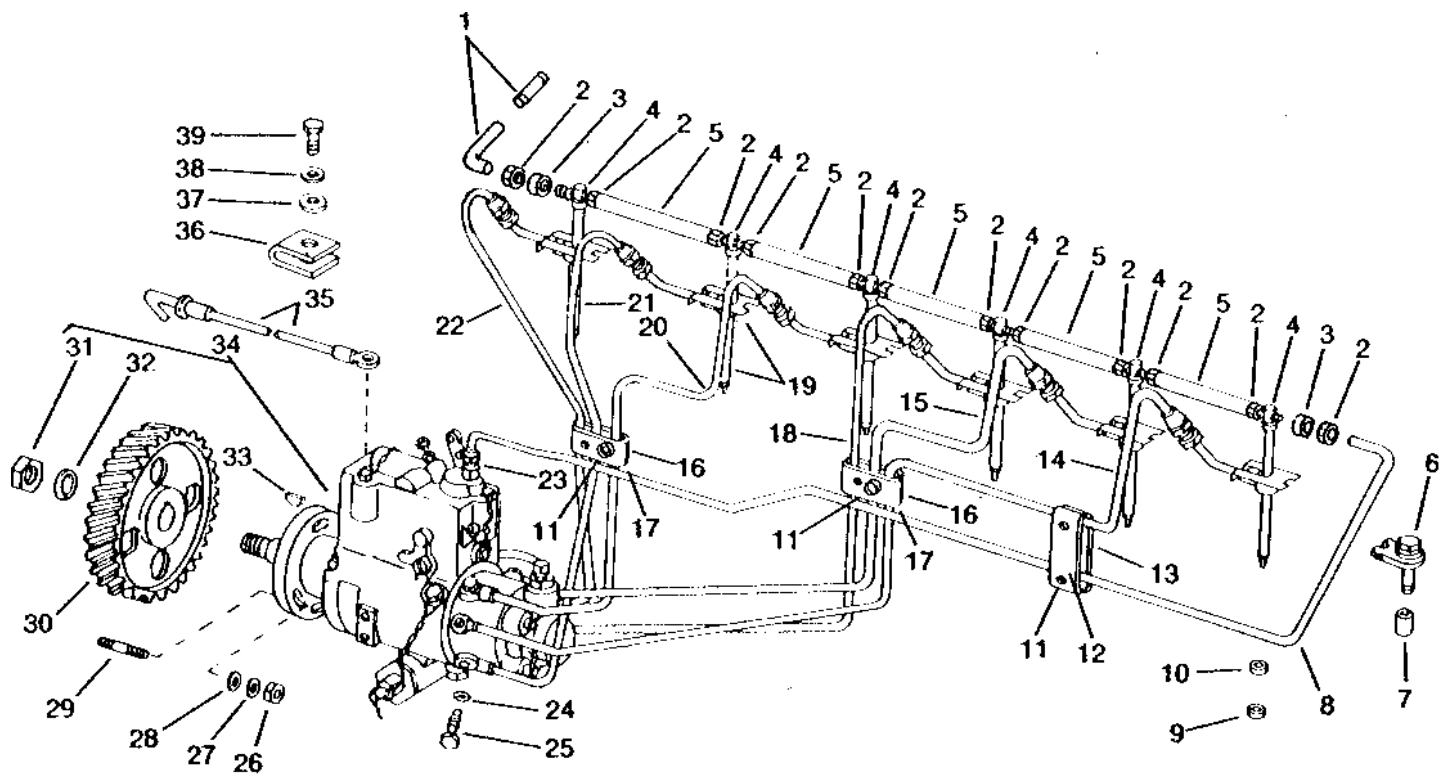
# 1D8

FUEL AND AIR

FUEL INJECTION SYSTEM  
(6329DH)  
(ROOSA-MASTER NO. JDB635MD3055)  
(ENGINE SERIAL NO. 505384- )

TP241

-UN-01JAN94



TP241



# 1D9

FUEL AND AIR

FUEL INJECTION SYSTEM - CONTINUED  
 (6329DH)  
 (ROOSA-MASTER NO. JDB635MD3055)  
 (ENGINE SERIAL NO. 505384- )

| KEY | PART NO. | PART NAME           | QTY | SERIAL NO. | REMARKS   |
|-----|----------|---------------------|-----|------------|---|
| 1   | R71742   | TUBE                | 1   |            | (SUB FOR R56830, THIS APPLICATION)                            |
| 2   | R51937   | TUBE NUT            | 13  |            |   |
| 3   | R51936   | PACKING             | 12  |            |   |
| 4   | AR85618  | CAP                 | 6   |            | (SUB (6) R79604, (6) R79605 AND (6) R79606)                   |
| 5   | R66090   | TUBE                | 5   |            |   |
| 6   | R34760   | CLAMP               | 6   |            |   |
| 7   | R34761   | SPACER              | 6   | -608907    | (SUB (6) RE13887, THIS APPLICATION)                           |
|     | R60745   | SPACER              | 6   | 608908-    | (K)   |
| 8   | AR89960  | FUEL LINE           | 1   |            |   |
| 9   | R48000   | WASHER              | 6   |            |   |
| 10  | R60746   | WASHER              | 6   |            | (K) (USE WITH AR88239) (USE AFTER RE13887 HAS BEEN INSTALLED) |
|     | R34764   | WASHER              | 6   | -608907    | (USE WITH AR89564) (SUB (6) RE13887, THIS APPLICATION)        |
| 11  | AR76704  | SCREW               | 6   |            |   |
| 12  | R64810   | CLAMP               | 1   |            |   |
|     | R59298   | STRAP               | 1   |            |   |
| 13  | R64810   | CLAMP               | 1   |            |   |
|     | R61145   | STRAP               | 1   |            |   |
| 14  | AR68967  | FUEL LINE           | 1   |            | (NO. 6)   |
| 15  | AR68966  | FUEL LINE           | 1   |            | (NO. 5)   |
| 16  | R59297   | HALF CLAMP          | 2   |            |   |
|     | R61145   | STRAP               | 2   |            |   |
| 17  | R59297   | HALF CLAMP          | 2   |            |   |
|     | R59298   | STRAP               | 2   |            |   |
| 18  | AR68965  | FUEL LINE           | 1   |            | (NO. 4)   |
| 19  | AR88239  | INJECTION NOZZLE    | 6   | -575164    | (SUB AR89564)   |
|     | AR89564  | INJECTION NOZZLE    | 6   |            |   |
| 20  | AR68964  | FUEL LINE           | 1   |            | (NO. 3)   |
| 21  | AR68963  | FUEL LINE           | 1   |            | (NO. 2)   |
| 22  | AR68962  | FUEL LINE           | 1   |            | (NO. 1)   |
| 23  | T13201   | ELBOW FITTING       | 1   |            |   |
| 24  | T20055   | WASHER              | 12  |            |   |
| 25  | R26726   | FITTING             | 6   |            |   |
| 26  | 14H812   | NUT                 | 2   |            | 3/8"  |
| 27  | 12H304   | LOCK WASHER         | 2   |            | 3/8"  |
| 28  | 24H1303  | WASHER              | 2   |            | 13/32" X 11/16" X 0.065"                                      |
| 29  | T20052   | STUD                | 2   |            |   |
| 30  | T20165   | GEAR                | 1   |            |   |
| 31  | R48599   | NUT                 | 1   |            |   |
| 32  | R48600   | LOCK WASHER         | 1   |            |   |
| 33  | 26H10    | SHAFT KEY           | 1   |            | 5/32" X 5/8"  |
| 34  | AR79462  | FUEL INJECTION PUMP | 1   |            | (ROOSA-MASTER NO. JDB635M03055)                               |
| 35  | AR49907  | WIRING LEAD         | 1   |            |   |
| 36  | T13913   | CLIP                | 1   |            |   |
| 37  | L186T    | WASHER              | 1   |            |   |
| 38  | 12H302   | LOCK WASHER         | 1   |            | 1/4"  |
| 39  | 19H2036  | CAP SCREW           | 1   |            | 1/4" X 7/8"   |

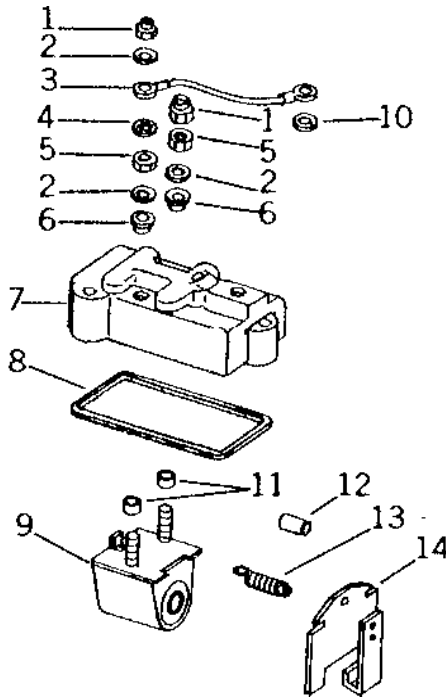
(K) KIT RE13887

# 1D10

FUEL AND AIR

## FUEL INJECTION PUMP ELECTRIC SHUT-OFF (6329DH) (ROOSA- MASTER)

T20527 -UN-01JAN94



T 20 527

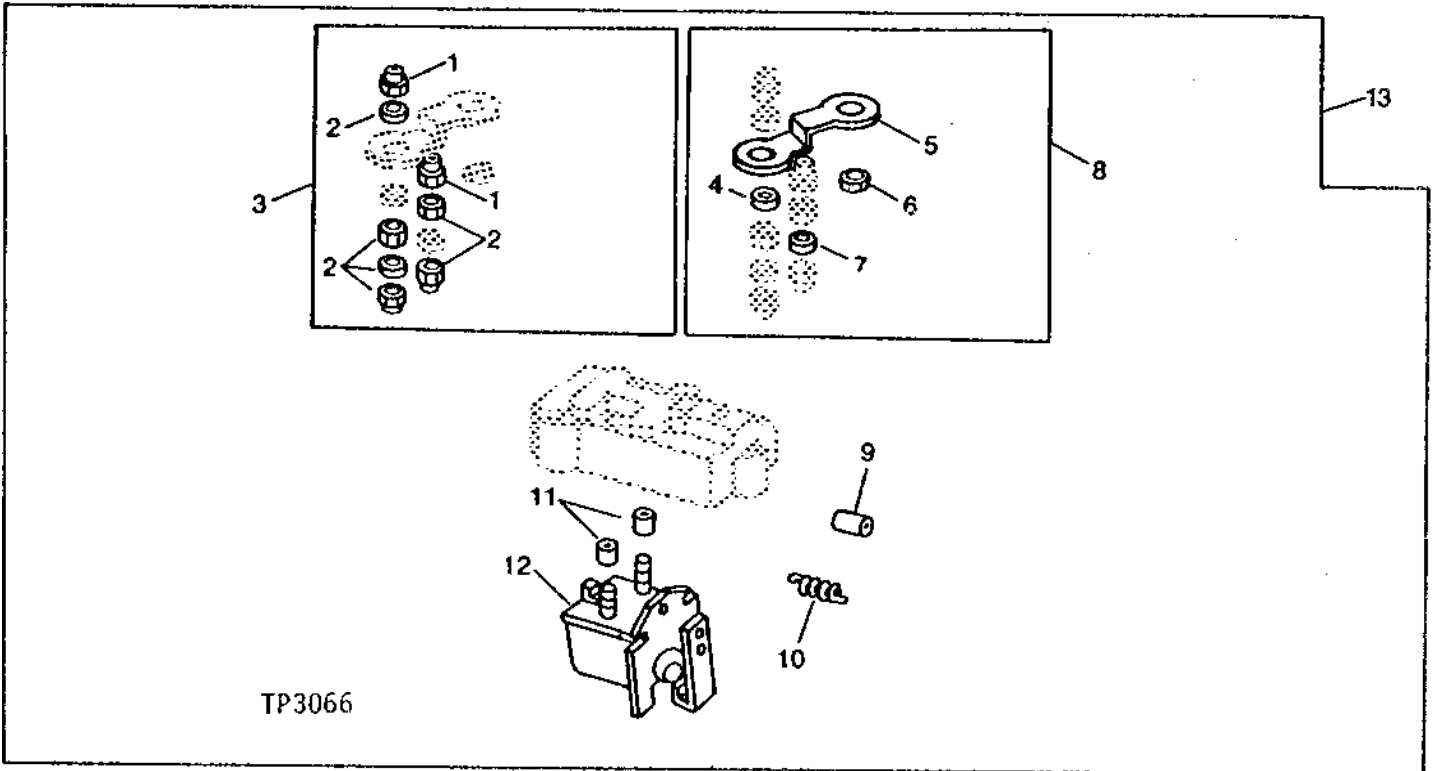
| KEY | PART NO. | PART NAME           | QTY | SERIAL NO.  | REMARKS |
|-----|----------|---------------------|-----|---|---------|
| 1   | T19977   | LOCK NUT            | 2   | (B) (C)   |         |
| 2   | R47049   | WASHER              | 3   | (B) (C) (SUB AR90601)                             |         |
| 3   | R66593   | STRAP               | 1   | (GROUNDING) (SUB FOR AR49542) (SUB AR50874)       |         |
| 4   | R47077   | LOCK WASHER         | 1   |   |         |
| 5   | T11938   | NUT                 | 2   | (SUB AR90601)                                     |         |
| 6   | T11936   | WASHER              | 2   | (B) (C) (SUB AR90601)                             |         |
| 7   | R37139   | COVER               | 1   | (B)   |         |
| 8   | T11918   | GASKET              | 1   | (A) (B)   |         |
| 9   | AR48219  | SOLENOID            | 1   | (B) (C) (SUB AR90340, THIS APPLICATION)           |         |
| 10  | 12H295   | LOCK WASHER         | 1   | 0.190"  |         |
| 11  | T11937   | INSULATOR           | 2   | (B) (C)   |         |
| 12  | R48795   | SLEEVE              | 1   |   |         |
| 13  | T11935   | SPRING              | 1   | (B) (C)   |         |
| 14  | AT11524  | ARM                 | 1   | (B) (C) (SUB AR90340, THIS APPLICATION)           |         |
| ..  | AR79462  | FUEL INJECTION PUMP | 1   | (ROOSA-MASTER NO. JDB635MD3055)                   |         |
| ..  | AR34612  | GASKET KIT          | 1   | OVERHAUL GASKET                                   |         |
| ..  | AR49543  | COVER               | 1   | (SUB AR90340, THIS APPLICATION)                   |         |
| ..  | AR87068  | KIT                 | 1   | (SUB FOR AR51796) (SUB AR90340, THIS APPLICATION) |         |

KIT LISTED BELOW CONSISTS OF ALL PARTS IDENTIFIED BY AN (A) ON THIS PAGE AND PAGES 30-4, 30-7, 30-10, 30-14, 30-20, AND 30-21.

# 1D11

## FUEL INJECTION PUMP ELECTRIC SHUT-OFF KIT (6329DH) (ROOSA-MASTER)

TP3066 -UN-01JAN94

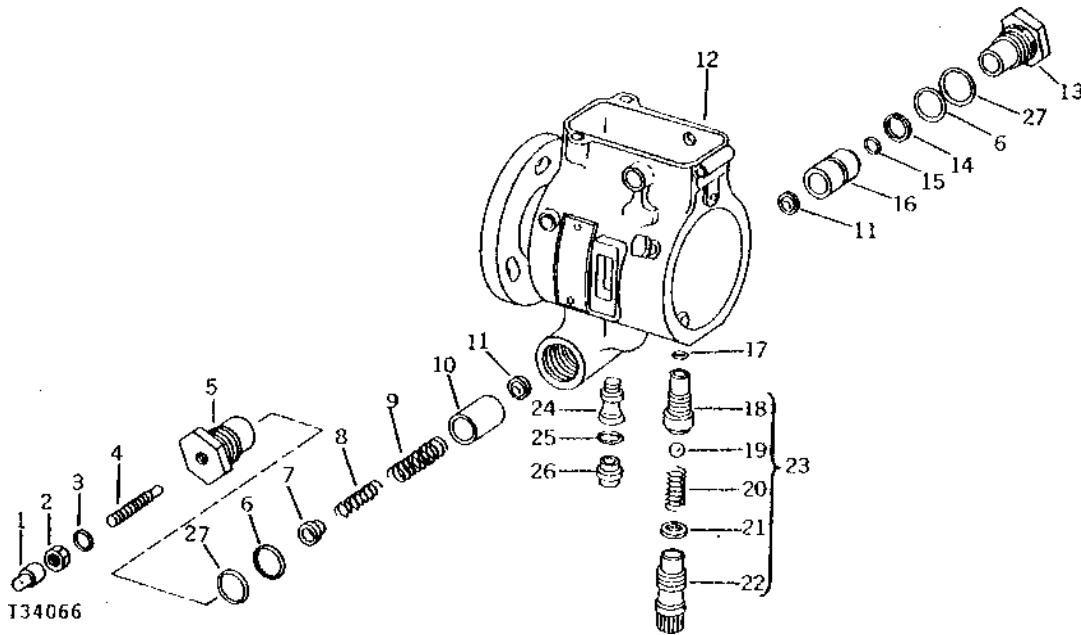


| KEY | PART NO. | PART NAME           | QTY | SERIAL NO. | REMARKS                         |
|-----|----------|---------------------|-----|------------|---------------------------------|
| 1   | T19977   | LOCK NUT            | 2   |            |                                 |
| 2   | .....    | WASHER              | 1   |            | (SUB AR90601)                   |
| 3   | AR90601  | KIT                 | 1   |            | NUT AND WASHER                  |
| 4   | R47077   | LOCK WASHER         | 1   |            |                                 |
| 5   | .....    | STRAP               | 1   |            | (SUB AR50874)                   |
| 6   | 12H295   | LOCK WASHER         | 1   |            | 0.190"                          |
| 7   | .....    | WASHER              | 1   |            | (SUB AR50874)                   |
| 8   | AR50874  | KIT                 | 1   |            | GROUND STRAP                    |
| 9   | R48795   | SLEEVE              | 1   |            |                                 |
| 10  | T11935   | SPRING              | 1   |            |                                 |
| 11  | T11937   | INSULATOR           | 2   |            |                                 |
| 12  | .....    | SOLENOID            | 1   |            |                                 |
| 13  | AR90340  | KIT                 | 1   |            |                                 |
| ..  | AR79462  | FUEL INJECTION PUMP | 1   |            | (ROOSA-MASTER NO. JDB635MD3055) |

# 1D12

## FUEL INJECTION PUMP AUTOMATIC ADVANCE (6329DH) (ROOSA-MASTER)

T34066 -UN-01JAN94



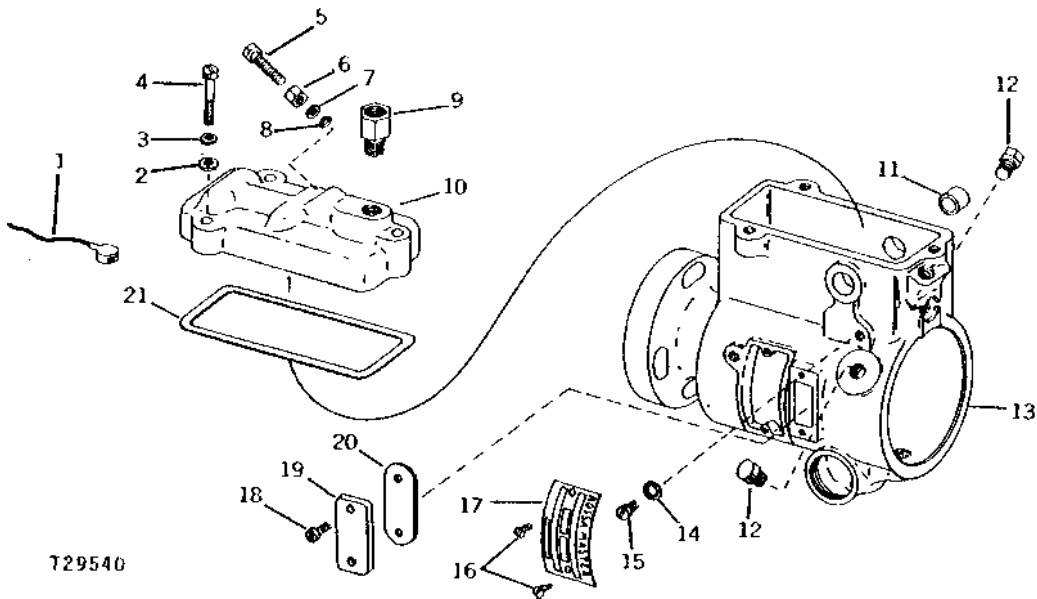
| KEY | PART NO. | PART NAME           | QTY | SERIAL NO. | REMARKS                            |
|-----|----------|---------------------|-----|------------|------------------------------------|
| 1   | T17117   | CAP                 | 1   |            |                                    |
| 2   | T17122   | NUT                 | 1   |            |                                    |
| 3   | R76578   | O-RING              | 1   |            | (K) (SUB FOR T11915)               |
| 4   | T17123   | SET SCREW           | 1   |            |                                    |
| 5   | T17126   | PLUG                | 1   |            |                                    |
| 6   | T15710   | O-RING              | 2   |            | (K)                                |
| 7   | T17125   | GUIDE               | 1   |            |                                    |
| 8   | T24415   | SPRING              | 1   |            | (COLORED RED)                      |
| 9   | R49238   | SPRING              | 1   |            | (COLORED BLACK AND BROWN)          |
| 10  | R74325   | PISTON              | 1   |            | (SUB FOR T17120, THIS APPLICATION) |
| 11  | T15705   | WASHER              | 2   |            |                                    |
| 12  | AR67675  | HOUSING             | 1   |            |                                    |
| 13  | R74310   | PLUG                | 1   |            | (SUB FOR R49212, THIS APPLICATION) |
| 14  | R49211   | WASHER              | 1   |            |                                    |
| 15  | R34635   | WASHER              | 1   |            | (K)                                |
| 16  | T19863   | PISTON              | 1   |            |                                    |
| 17  | T11899   | O-RING              | 2   |            | (K)                                |
| 18  | R48604   | PLUG                | 1   |            | (SUB AR51712)                      |
| 19  | T17137   | BALL                | 1   |            | (SUB AR51712)                      |
| 20  | R48601   | SPRING              | 1   |            | (SUB AR51712)                      |
| 21  | R48603   | WASHER              | 1   |            | (SUB AR51712)                      |
| 22  | R48602   | SCREW               | 1   |            | (SUB AR51712)                      |
| 23  | AR51712  | SCREW               | 1   |            |                                    |
| 24  | R36646   | SCREW               | 1   |            |                                    |
| 25  | T15712   | O-RING              | 1   |            | (K)                                |
| 26  | R40707   | PLUG                | 1   |            | (SUB FOR T15711, THIS APPLICATION) |
| 27  | R56396   | O-RING              | 2   |            |                                    |
| ..  | AR79462  | FUEL INJECTION PUMP | 1   |            | (ROOSA-MASTER NO. JDB635MD3055)    |

(K) KIT AR34612

# 1D13

## FUEL INJECTION PUMP HOUSING (6329DH) (ROOSA-MASTER)

T29540 -UN-01JAN94



| KEY | PART NO. | PART NAME            | QTY | SERIAL NO.                      | REMARKS                         |
|-----|----------|----------------------|-----|---------------------------------|---------------------------------|
| 1   | T11877   | WIRE                 | 4   |                                 |                                 |
| 2   | T15715   | WASHER               | 3   |                                 |                                 |
| 3   | 12H295   | LOCK WASHER          | 3   | 0.190"                          |                                 |
| 4   | T15721   | SCREW                | 3   |                                 |                                 |
|     | R71851   | SCREW                | 2   |                                 |                                 |
| 5   | T17953   | CAP SCREW            | 1   |                                 |                                 |
| 6   | T11921   | NUT                  | 1   |                                 |                                 |
| 7   | T17947   | WASHER               | 1   |                                 |                                 |
| 8   | R34812   | O-RING               | 1   |                                 | (A) (SUB FOR T17951 AND T11906) |
| 9   | R36535   | CHECK VALVE          | 1   |                                 |                                 |
| 10  | R37139   | COVER                | 1   |                                 |                                 |
| 11  | R48493   | BUSHING              | 2   |                                 |                                 |
| 12  | R30714   | BOLT                 | 2   |                                 |                                 |
| 13  | AR67675  | HOUSING              | 1   |                                 |                                 |
| 14  | T11878   | WASHER               | 1   | (A)                             |                                 |
| 15  | T11930   | SCREW                | 1   |                                 |                                 |
| 16  | T11876   | SCREW                | 2   |                                 |                                 |
| 17  | T11875   | IDENTIFICATION PLATE | 1   |                                 |                                 |
| 18  | T11884   | SCREW                | 4   |                                 |                                 |
| 19  | T11882   | COVER                | 2   |                                 |                                 |
| 20  | T11883   | GASKET               | 2   | (A)                             |                                 |
| 21  | T11918   | GASKET               | 1   | (A)                             |                                 |
| ..  | AR79462  | FUEL INJECTION PUMP  | 1   | (ROOSA-MASTER NO. JDB635MD3055) |                                 |

KIT LISTED BELOW CONSISTS OF ALL PARTS IDENTIFIED BY AN (A) ON THIS PAGE AND PAGES 30-4, 30-7, 30-10, 30-14, 30-15, AND 30-21.

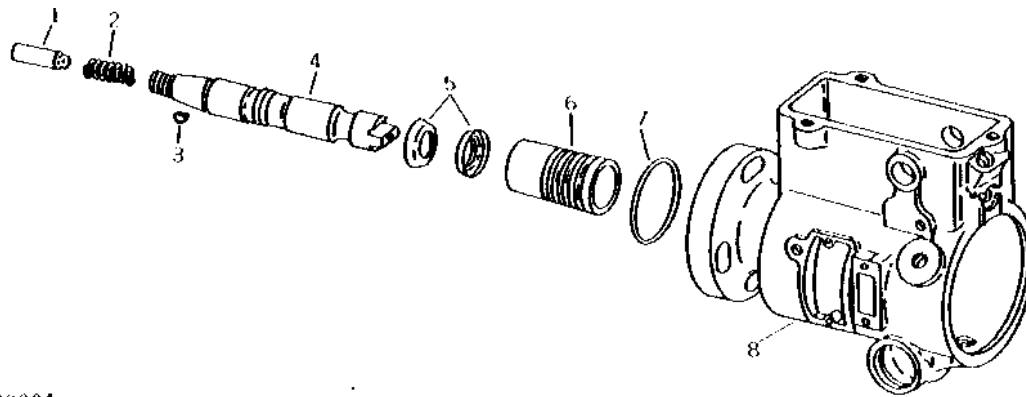
|    |         |            |   |                 |  |
|----|---------|------------|---|-----------------|--|
| .. | AR34612 | GASKET KIT | 1 | OVERHAUL GASKET |  |
|----|---------|------------|---|-----------------|--|

# 1D14

FUEL AND AIR

## FUEL INJECTION PUMP DRIVE (6329DH) (ROOSA-MASTER)

T29294 -UN-01JAN94



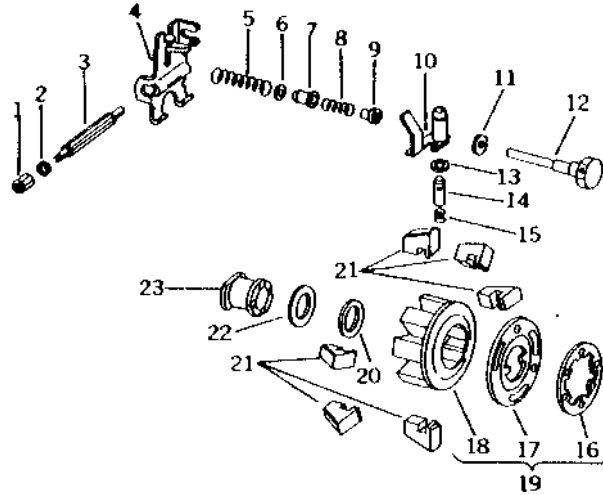
129294

| KEY  | PART NO. | PART NAME           | QTY | SERIAL NO.                      | REMARKS |
|--|----------|---------------------|-----|---------------------------------|---------|
| 1  | T19855   | PIN                 | 1   |                                 |         |
| 2  | R36540   | SPRING              | 1   |                                 |         |
| 3  | 26H10    | SHAFT KEY           | 1   | 5/32" X 5/8"                    |         |
| 4  | R36538   | DRIVE SHAFT         | 1   |                                 |         |
| 5  | T11290   | SEAL                | 2   | (A)                             |         |
| 6  | T19865   | BUSHING             | 1   |                                 |         |
| 7  | T19854   | O-RING              | 1   | (A)                             |         |
| 8  | AR67675  | HOUSING             | 1   |                                 |         |
| ..   | AR79462  | FUEL INJECTION PUMP | 1   | (ROOSA-MASTER NO. JDB635MD3055) |         |
| KIT LISTED BELOW CONSISTS OF ALL PARTS IDENTIFIED BY AN (A) ON THIS PAGE AND PAGES 30-4, 30-7, 30-10, 30-14, 30-15, AND 30-20. |          |                     |     |                                 |         |
| ..   | AR34612  | GASKET KIT          | 1   | OVERHAUL GASKET                 |         |

# 1D15

## FUEL INJECTION PUMP GOVERNOR (6329DH) (ROOSA-MASTER)

T20274 -UN-01JAN94



| KEY   | PART NO. | PART NAME           | QTY | SERIAL NO.                          | REMARKS |
|---|----------|---------------------|-----|-------------------------------------|---------|
| 1   | T11932   | NUT                 | 2   |                                     |         |
| 2   | R34812   | O-RING              | 2   | (A)                                 |         |
| 3   | T11925   | SHAFT               | 1   |                                     |         |
| 4   | T16602   | ARM                 | 1   |                                     |         |
| 5   | T11953   | SPRING              | 1   | (COLORED RED AND GREEN)             |         |
| 6   | T17952   | WASHER              | 1   |                                     |         |
| 7   | T11924   | RETAINER            | 1   |                                     |         |
| 8   | T11913   | SPRING              | 1   |                                     |         |
| 9   | T11914   | GUIDE               | 1   |                                     |         |
| 10  | R74312   | ARM                 | 1   | (SUB FOR AR30736, THIS APPLICATION) |         |
| 11  | T11943   | WASHER              | 1   | (A)                                 |         |
| 12  | T11923   | STUD                | 1   |                                     |         |
| 13  | R30732   | SHIM                | 1   |                                     |         |
| 14  | R48500   | VALVE               | 1   |                                     |         |
| 15  | R58422   | SPRING              | 1   |                                     |         |
| 16  | R42483   | RING                | 1   | (A)                                 |         |
| 17  | AR63213  | HUB                 | 1   |                                     |         |
| 18  | AR63212  | RETAINER            | 1   |                                     |         |
| 19  | AR51959  | RETAINER            | 1   |                                     |         |
| 20  | T11931   | RING                | 1   |                                     |         |
| 21  | T11910   | WEIGHT              | 6   |                                     |         |
| 22  | T11909   | WASHER              | 1   |                                     |         |
| 23  | R74472   | SLEEVE              | 1   | (SUB FOR T16601)                    |         |
| ..  | AR79462  | FUEL INJECTION PUMP | 1   | (ROOSA-MASTER NO. JDB635MD3055)     |         |
| KIT LISTED BELOW CONSISTS OF ALL PARTS IDENTIFIED BY AN (A) ON THIS PAGE AND PAGES 30-4, 30-7, 30-10, 30-14, 30-15, 30-20, AND 30-21. |          |                     |     |                                     |         |
| ..  | AR34612  | GASKET KIT          | 1   | OVERHAUL GASKET                     |         |

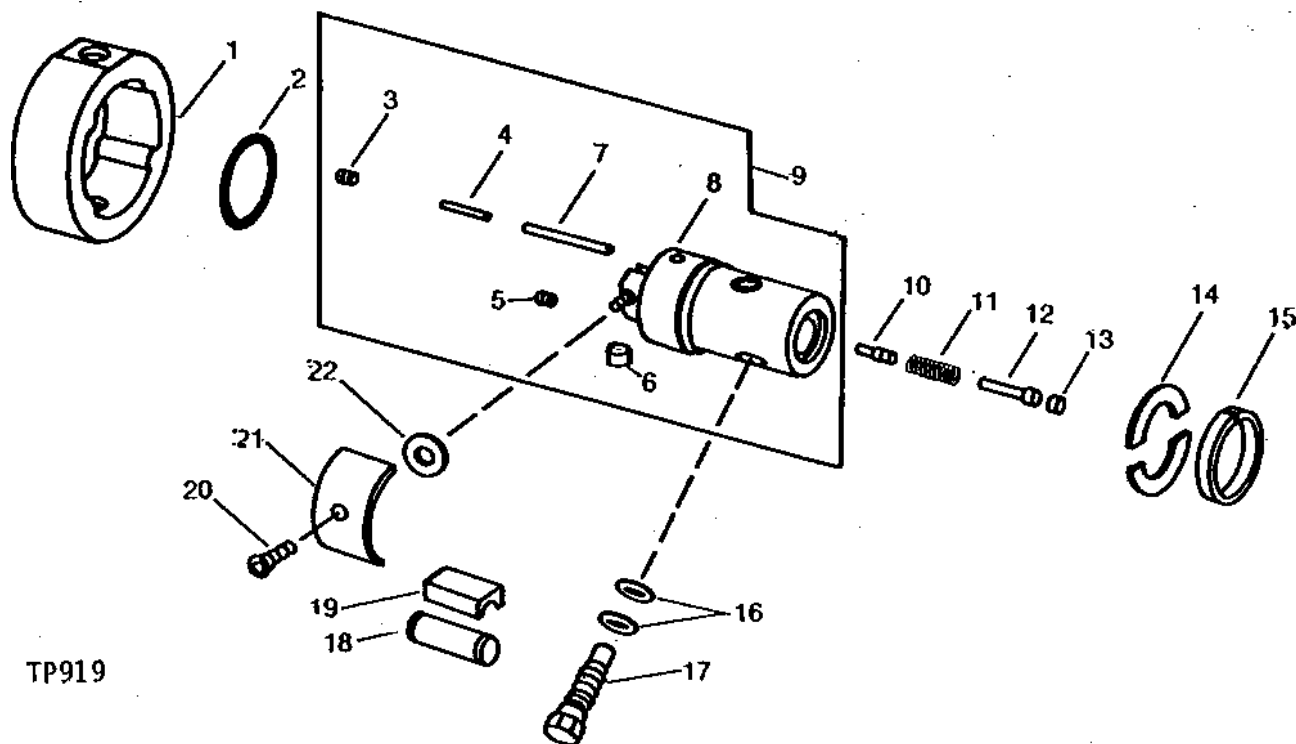
# 1D16

FUEL AND AIR

## FUEL INJECTION PUMP HEAD AND ROTOR GROUP (6329DH)

TP919

-UN-01JAN94



TP919

| KEY | PART NO. | PART NAME                 | QTY | SERIAL NO. | REMARKS  |
|-----|----------|---------------------------|-----|------------|--|
| 1   | R48494   | RING                      | 1   |            |  |
| 2   | T11891   | O-RING                    | 1   |            | (A)  |
| 3   | R30725   | SCREW                     | 2   |            | HYDRAULIC HEAD PLUG                                      |
| 4   | R48495   | WIRE                      | 1   |            | (DH-01, DN-03)   |
|     | R49346   | DOWEL PIN                 | 1   |            | (DH-02)  |
| 5   | T11926   | SET SCREW                 | 1   |            |  |
| 6   | T32238   | PLUNGER                   | 2   |            | (ROTOR A)  |
|     | T32239   | PLUNGER                   | 2   |            | (ROTOR B)  |
|     | T32240   | PLUNGER                   | 2   |            | (ROTOR C)  |
|     | T32241   | PLUNGER                   | 2   |            | (ROTOR D)  |
| 7   | R30727   | RETAINER                  | 1   |            |  |
| 8   | .....    | ROTOR                     | 1   |            | (SUB AR52269)  |
| 9   | AR52269  | HYDRAULIC HEAD, AND ROTOR | 1   |            | HEAD AND ROTOR ASSEMBLY                                  |
| 10  | T31129   | VALVE                     | 1   |            | (DH-01, DH-02, DN-03) (SUB FOR R30762, THIS APPLICATION) |
|     | R31125   | VALVE                     | 1   |            | (OVERSIZE) (DH-01, DN-03)                                |
| 11  | R30735   | SPRING                    | 1   |            | DELIVERY VALVE   |
| 12  | T26223   | STOP                      | 1   |            |  |
| 13  | R30737   | SCREW                     | 1   |            |  |
| 14  | T11890   | RETAINER                  | 2   |            |  |
| 15  | T11889   | SNAP RING                 | 1   |            |  |
| 16  | T20055   | WASHER                    | 12  |            | (A)  |
| 17  | R26726   | FITTING                   | 6   |            |  |
| 18  | T11886   | NEEDLE ROLLER             | 2   |            |  |
| 19  | R56483   | SHOE                      | 1   |            |  |
| 20  | T11887   | SCREW                     | 1   |            |  |
| 21  | R30724   | LEAF SPRING               | 1   |            |  |
| 22  | T31124   | SHIM                      | AR  |            | 0.13 MM (0.005")   |
|     | T31125   | SHIM                      | AR  |            | 0.16 MM (0.006")   |
|     | T31126   | SHIM                      | AR  |            | 0.18 MM (0.007")   |
|     | T31127   | SHIM                      | AR  |            | 0.20 MM (0.008")   |
|     | T31128   | SHIM                      | AR  |            | 0.23 MM (0.009")   |
| ..  | AR79462  | FUEL INJECTION PUMP       | 1   |            | (ROOSA-MASTER NO. JDB635MD3055)                          |

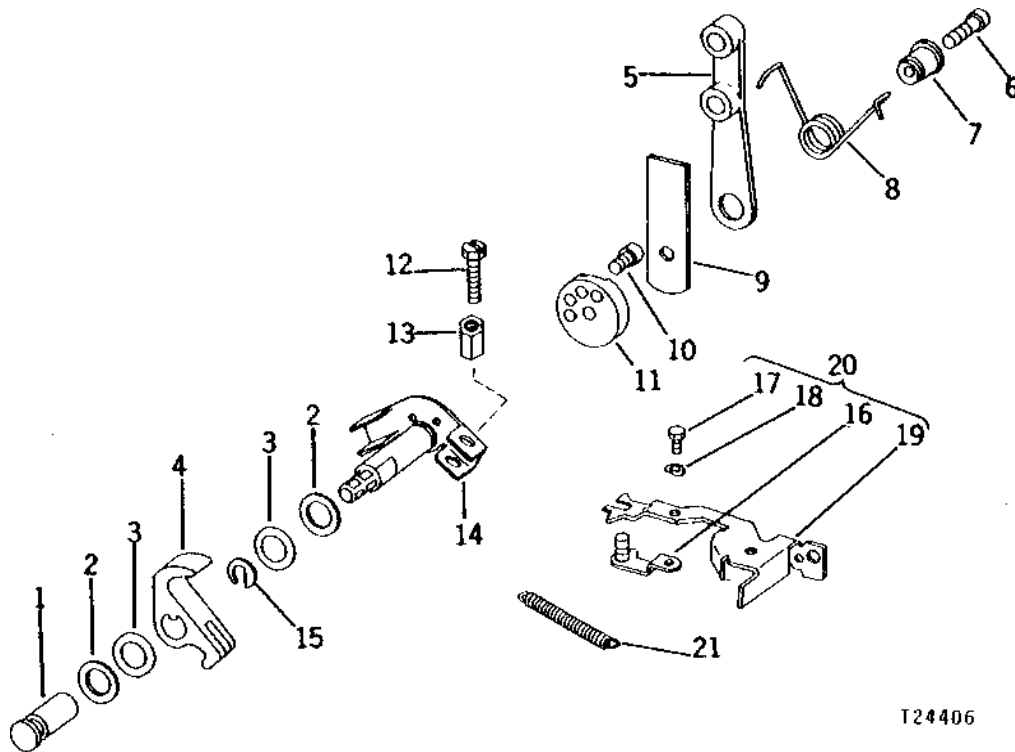


# 1D17

FUEL AND AIR

## FUEL INJECTION PUMP LINKAGE (6329DH)

T24406 -UN-01JAN94



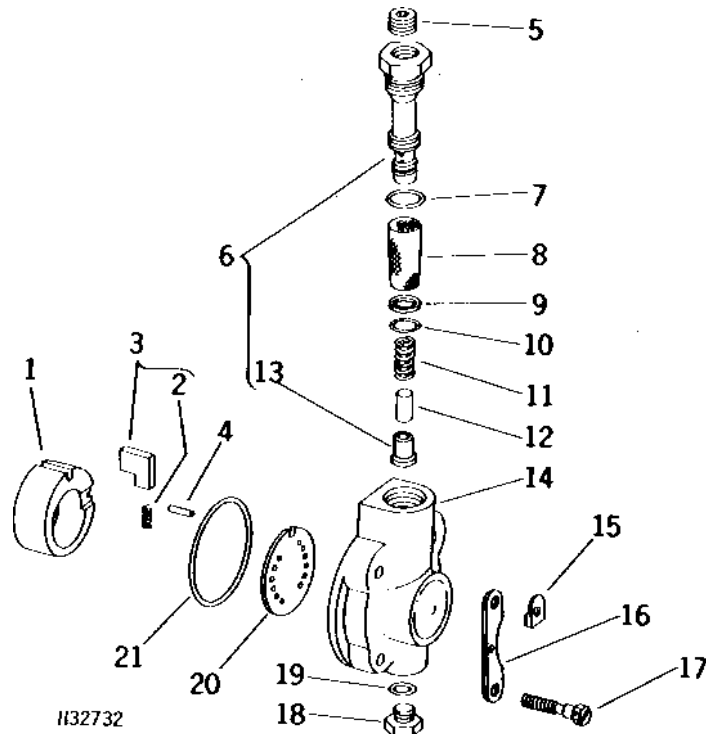
| KEY  | PART NO. | PART NAME           | QTY | SERIAL NO.                         | REMARKS |
|--|----------|---------------------|-----|------------------------------------|---------|
| 1  | R59079   | SHAFT               | 1   |                                    |         |
| 2  | T15720   | WASHER              | 2   | (A)                                |         |
| 3  | R76578   | O-RING              | 2   | (A) (SUB FOR T11915)               |         |
| 4  | T11927   | LEVER               | 1   |                                    |         |
| 5  | T19858   | LEVER               | 1   |                                    |         |
| 6  | R70513   | SCREW               | 1   | (SUB FOR T19859, THIS APPLICATION) |         |
| 7  | T17950   | RETAINER            | 1   |                                    |         |
| 8  | T17949   | SPRING              | 1   |                                    |         |
| 9  | T19860   | STRAP               | 1   |                                    |         |
| 10   | T11917   | SCREW               | 1   |                                    |         |
| 11   | T19861   | SPACER              | 1   |                                    |         |
| 12   | T11920   | SCREW               | 1   |                                    |         |
| 13   | T19862   | NUT                 | 1   |                                    |         |
| 14   | R36542   | SHAFT               | 1   |                                    |         |
| 15   | T11929   | CLIP                | 1   |                                    |         |
| 16   | AR28602  | LINK                | 1   |                                    |         |
| 17   | R30718   | SCREW               | 1   |                                    |         |
| 18   | R30719   | LOCK WASHER         | 1   |                                    |         |
| 19   | T15699   | HOOK                | 1   |                                    |         |
| 20   | AT11520  | HOOK                | 1   |                                    |         |
| 21   | T11911   | SPRING              | 1   |                                    |         |
| ..   | AR79462  | FUEL INJECTION PUMP | 1   | (ROOSA-MASTER NO. JDB635MD3055)    |         |
| KIT LISTED BELOW CONSISTS OF ALL PARTS IDENTIFIED BY AN (A) ON THIS PAGE AND PAGES 30-4, 30-7, 30-14, 30-15, 30-20, AND 30-21. |          |                     |     |                                    |         |
| ..   | AR34612  | GASKET KIT          | 1   | OVERHAUL GASKET                    |         |

# 1D18

FUEL AND AIR

## FUEL INJECTION PUMP TRANSFER GROUP (6329DH) (ROOSA-MASTER)

H32732 -UN-01JAN94



| KEY   | PART NO. | PART NAME           | QTY | SERIAL NO. | REMARKS   |
|---|----------|---------------------|-----|------------|---|
| 1   | T26238   | SLEEVE              | 1   |            |   |
| 2   | R34630   | SPRING              | 2   |            |   |
| 3   | AR73828  | KIT                 | 1   |            | TRANSFER PUMP BLADE, WITH SPRINGS (STANDARD SIZE) |
|   | AR73829  | KIT                 | 1   |            | TRANSFER PUMP BLADE, WITH SPRINGS (OVERSIZE)      |
| 4   | 34H240   | SPRING PIN          | 1   |            | 1/8" X 1/4"                                       |
| 5   | R34623   | PLUG                | 1   |            |   |
| 6   | R34622   | SLEEVE              | 1   |            |   |
| 7   | R33259   | O-RING              | 1   |            | (A)   |
| 8   | R34625   | STRAINER            | 1   |            |   |
| 9   | R34632   | WASHER              | 1   |            | (A)   |
| 10  | T11899   | O-RING              | 1   |            | (A)   |
| 11  | R49209   | SPRING              | 1   |            | (COLORED BLACK BOTH ENDS)                         |
| 12  | T11900   | DOWEL PIN           | 1   |            |   |
| 13  | T25142   | SEAL                | 1   |            | (A)   |
| 14  | R34624   | PLATE               | 1   |            |   |
| 15  | R48496   | CLIP                | 4   |            |   |
| 16  | R48497   | STRAP               | 2   |            |   |
| 17  | R48498   | BOLT                | 4   |            |   |
| 18  | T30607   | DRAIN PLUG          | 1   |            | (SUB FOR R34629, THIS APPLICATION)                |
| 19  | T26256   | O-RING              | 1   |            | (A)   |
| 20  | R34631   | PLATE               | 1   |            |   |
| 21  | T11894   | O-RING              | 1   |            | (A)   |
| ..  | AR79462  | FUEL INJECTION PUMP | 1   |            | (ROOSA-MASTER NO. JDB635MD3055)                   |
| KIT LISTED BELOW CONSISTS OF ALL PARTS IDENTIFIED BY AN (A) |          |                     |     |            |   |
| ..  | AR34612  | GASKET KIT          | 1   |            | OVERHAUL GASKET                                   |

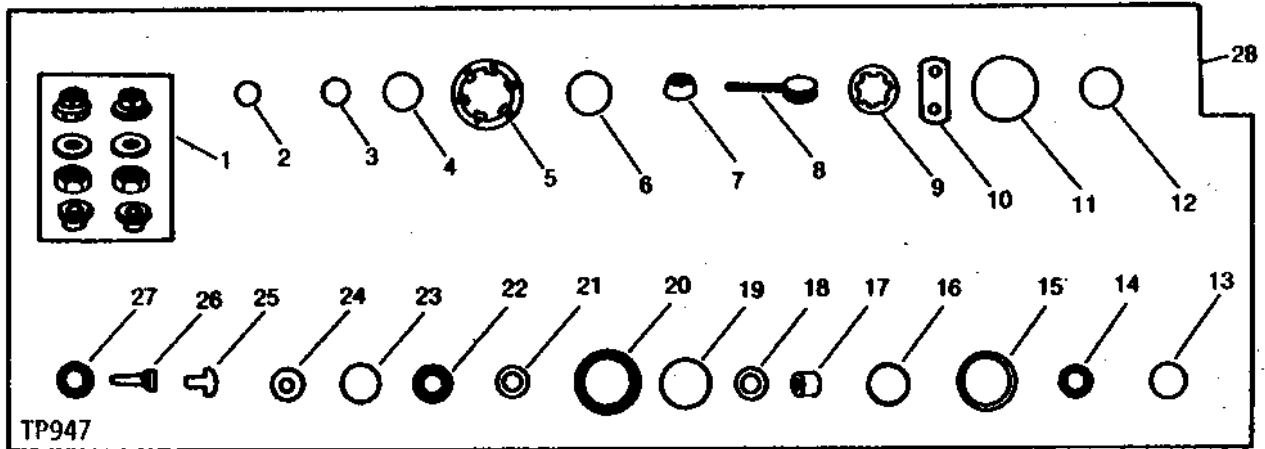
# 1D19

FUEL AND AIR

## FUEL INJECTION PUMP OVERHAUL GASKET KIT (6329DH) (ROOSA-MASTER)

TP947

-UN-01JAN94



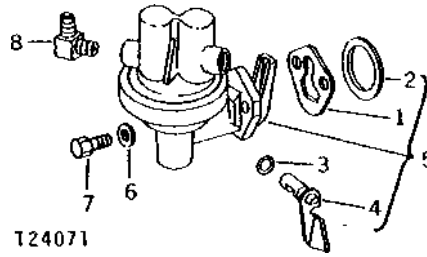
| KEY | PART NO. | PART NAME  | QTY | SERIAL NO. | REMARKS          |
|-----|----------|------------|-----|------------|------------------|
| 1   | AR90601  | KIT        | 1   |            |                  |
| 2   | R34632   | WASHER     | 1   |            |                  |
| 3   | R34635   | WASHER     | 1   |            |                  |
| 4   | R34812   | O-RING     | 2   |            |                  |
| 5   | R42483   | RING       | 1   |            |                  |
| 6   | R56396   | O-RING     | 2   |            |                  |
| 7   | T11290   | SEAL       | 2   |            |                  |
| 8   | T11877   | WIRE       | 4   |            |                  |
| 9   | T11878   | WASHER     | 1   |            |                  |
| 10  | T11883   | GASKET     | 1   |            |                  |
| 11  | T11891   | O-RING     | 1   |            |                  |
| 12  | T11894   | O-RING     | 1   |            |                  |
| 13  | T11899   | O-RING     | 3   |            |                  |
| 14  | R76578   | O-RING     | 3   |            | (SUB FOR T11915) |
| 15  | T11918   | GASKET     | 1   |            |                  |
| 16  | R33259   | O-RING     | 1   |            |                  |
| 17  | T11937   | INSULATOR  | 2   |            |                  |
| 18  | T11943   | WASHER     | 1   |            |                  |
| 19  | T15710   | O-RING     | 2   |            |                  |
| 20  | T15712   | O-RING     | 1   |            |                  |
| 21  | T15720   | WASHER     | 2   |            |                  |
| 22  | T11906   | O-RING     | 1   |            | (SUB FOR T17951) |
| 23  | T19854   | O-RING     | 1   |            |                  |
| 24  | T20055   | WASHER     | 8   |            |                  |
| 25  | T25142   | SEAL       | 1   |            |                  |
| 26  | T26223   | STOP       | 1   |            |                  |
| 27  | T26256   | O-RING     | 1   |            |                  |
| 28  | AR34612  | GASKET KIT | 1   |            |                  |

# 1D20

FUEL AND AIR

## AIRTEX FUEL TRANSFER PUMP (6329DH)

T24071 -UN-01JAN94



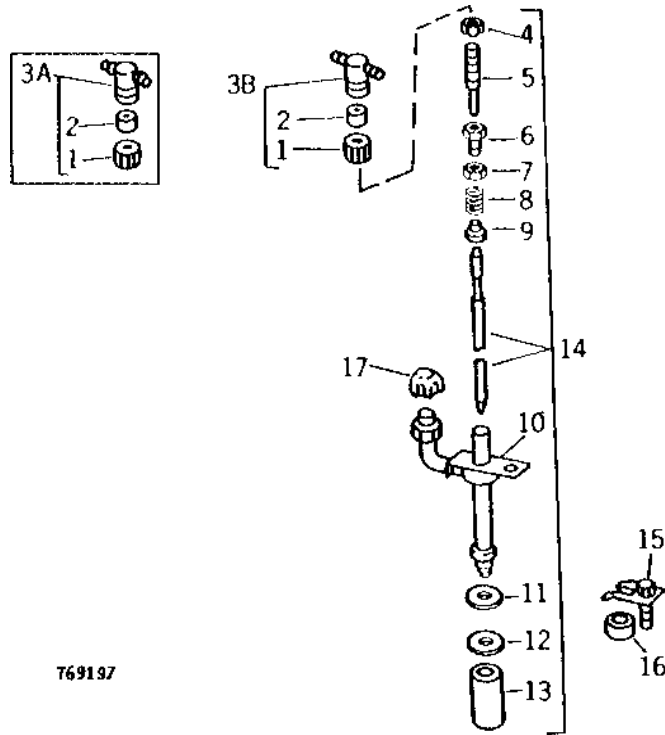
| KEY | PART NO. | PART NAME | QTY | SERIAL NO. | REMARKS                            |
|-----|----------|-----------|-----|------------|------------------------------------|
| 1   | R27285   | GASKET    | 1   |            |                                    |
| 2   | R48399   | WASHER    | 1   |            |                                    |
| 3   | A4365R   | O-RING    | 1   |            |                                    |
| 4   | AR52556  | LEVER     | 1   |            |                                    |
| 5   | AR52159  | FUEL PUMP | 1   |            |                                    |
| 6   | T27860   | WASHER    | 2   |            | (SUB FOR R20498, THIS APPLICATION) |
| 7   | 19H1849  | CAP SCREW | 2   |            | 5/16" X 1-1/4"                     |
| 8   | R27346   | FITTING   | 1   |            |                                    |

# 1D21

FUEL AND AIR

FUEL INJECTION NOZZLE  
(6329DH)  
(ENGINE SERIAL NO. -575164)

T69197 -UN-01JAN94



T69197

| KEY | PART NO. | PART NAME        | QTY | SERIAL NO. | REMARKS                                    |
|-----|----------|------------------|-----|------------|--|
| 1   | T29540   | FITTING          | 1   |            | (SUB R79604)                               |
| 2   | T29539   | WASHER           | 1   |            | (SUB R79605)                               |
| 3A  | AT27622  | CAP              | 1   | -505383    |  |
| 3B  | AR85618  | CAP              | 1   | 505384-    | (SUB R79604, R79605 AND R79606)            |
| 4   | R47733   | LOCK NUT         | 1   |            |  |
| 5   | R47732   | SCREW            | 1   |            |  |
| 6   | R47734   | SCREW            | 1   |            |  |
| 7   | R46675   | NUT              | 1   |            |  |
| 8   | R47731   | SPRING           | 1   |            |  |
| 9   | R39886   | GUIDE            | 1   |            |  |
| 10  | R67779   | CLAMP            | 1   |            |  |
| 11  | R60746   | WASHER           | 1   |            |  |
| 12  | R48000   | WASHER           | 1   |            | (SUB FOR R34767)                           |
| 13  | T24472   | PLUG             | 1   |            |  |
| 14  | AR88239  | INJECTION NOZZLE | 1   |            | (ROOSA-MASTER NO. 22042) (SUB AR89564)     |
| 15  | R34760   | CLAMP            | 1   |            |  |
| 16  | R34761   | SPACER           | 1   |            | (SUB RE13887, THIS APPLICATION)            |
|     | R60745   | SPACER           | 1   |            | (K) (USE AFTER RE13887 HAS BEEN INSTALLED) |
| 17  | T31174   | PLUG             | 1   |            | (USE FOR SERVICING FUEL INJECTION NOZZLE)  |

(K) KIT RE13887

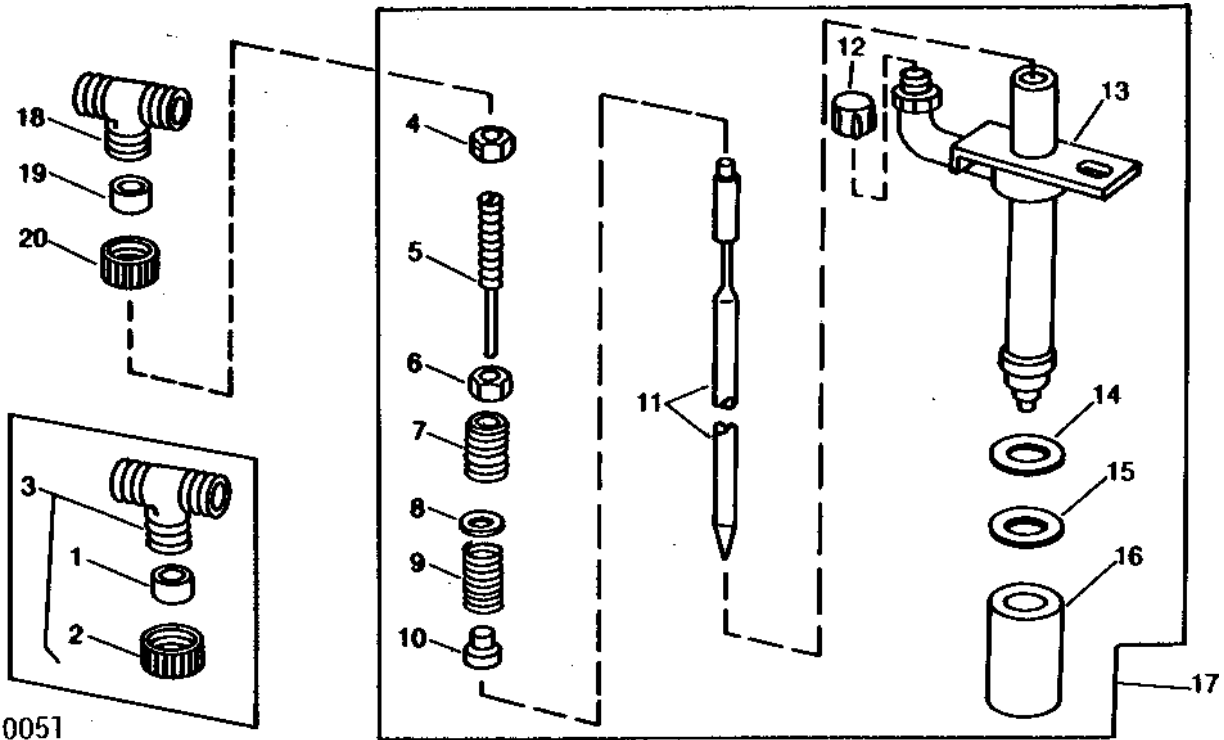
---

MEMORANDA

# 1D22

FUEL INJECTION NOZZLE  
(6329DH)  
(ENGINE SERIAL NO. 575165- )

TP10051 -UN-01JAN94



| KEY | PART NO. | PART NAME        | QTY | SERIAL NO. | REMARKS                         |
|-----|----------|------------------|-----|------------|---------------------------------|
| 1   | T29539   | WASHER           | 1   |            | (SUB R79605)                    |
| 2   | T29540   | FITTING          | 1   |            | (SUB R79604)                    |
| 3   | AT27622  | CAP              | 1   | -505383    |                                 |
|     | AR85618  | CAP              | 1   | 505384-    | (SUB R79604, R79605 AND R79606) |
| 4   | R47733   | LOCK NUT         | 1   |            |                                 |
| 5   | R69443   | SCREW            | 1   |            |                                 |
| 6   | R46675   | NUT              | 1   |            |                                 |
| 7   | R62984   | SCREW            | 1   |            |                                 |
| 8   | R62981   | WASHER           | 1   |            |                                 |
| 9   | R69442   | SPRING           | 1   |            |                                 |
| 10  | R62982   | GUIDE            | 1   |            |                                 |
| 11  | .....    | VALVE            | 1   |            | (SUB AR89564)                   |
| 12  | T31174   | PLUG             | 1   |            | (USE FOR SERVICING NOZZLE)      |
| 13  | R67779   | CLAMP            | 1   |            |                                 |
| 14  | R34764   | WASHER           | 1   | -608907    | (SUB RE13887, THIS APPLICATION) |
|     | R60746   | WASHER           | 1   | 608908-    | (K)                             |
| 15  | R48000   | WASHER           | 1   |            |                                 |
| 16  | T24472   | CAP              | 1   |            |                                 |
| 17  | AR89564  | INJECTION NOZZLE | 1   |            | (ROOSA-MASTER NO. 22202)        |
| 18  | R79606   | TEE FITTING      | 1   |            |                                 |
| 19  | R79605   | WASHER           | 1   |            |                                 |
| 20  | R79604   | TUBE NUT         | 1   |            |                                 |

(K) KIT RE13887

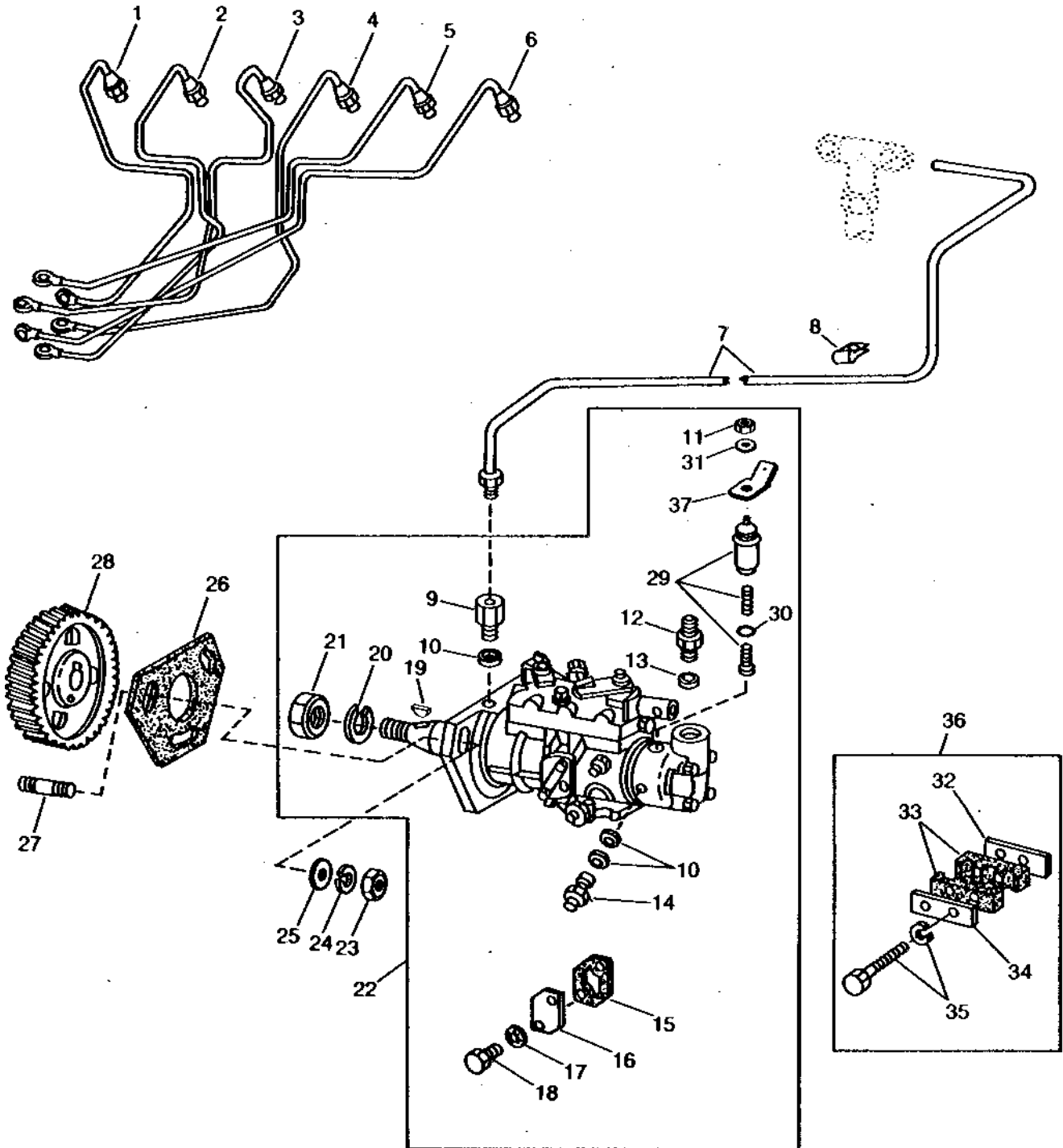
# 1D23

FUEL AND AIR

HP2302

-UN-01JAN94

## FUEL INJECTION PUMP AND LINES (ROTO-DIESEL) (6359DH)



HP2302



# 1D24

FUEL AND AIR

## FUEL INJECTION PUMP AND LINES - CONTINUED (ROTO-DIESEL) (6359DH)

| KEY | PART NO. | PART NAME           | QTY | SERIAL NO.                  | REMARKS |
|-----|----------|---------------------|-----|-----------------------------|---------|
| 1   | AR67737  | FUEL LINE           | 1   | NO. 1                       |         |
| 2   | AR67738  | FUEL LINE           | 1   | NO. 2                       |         |
| 3   | AR67739  | FUEL LINE           | 1   | NO. 3                       |         |
| 4   | AR67740  | FUEL LINE           | 1   | NO. 4                       |         |
| 5   | AR67741  | FUEL LINE           | 1   | NO. 5                       |         |
| 6   | AR67742  | FUEL LINE           | 1   | NO. 6                       |         |
| 7   | AR89959  | LINE                | 1   | LEAK-OFF                    |         |
| 8   | T29969   | CLAMP               | 1   |                             |         |
| 9   | RE11602  | BALL CHECK          | 1   |                             |         |
| 10  | T20055   | WASHER              | 13  |                             |         |
| 11  | R67150   | NUT                 | 1   |                             |         |
| 12  | R79015   | FITTING             | 1   |                             |         |
| 13  | T24619   | WASHER              | 1   |                             |         |
| 14  | T29464   | PEDAL               | 6   |                             |         |
| 15  | T24543   | GASKET              | 1   |                             |         |
| 16  | T24542   | COVER               | 1   |                             |         |
| 17  | 12H295   | LOCK WASHER         | 2   | 0.190"                      |         |
| 18  | T24544   | SCREW               | 2   |                             |         |
| 19  | R56131   | SHAFT KEY           | 1   |                             |         |
| 20  | 12H317   | LOCK WASHER         | 1   | 9/16"                       |         |
| 21  | R78743   | NUT                 | 1   |                             |         |
| 22  | RE18933  | FUEL INJECTION PUMP | 1   | (ROTO-DIESEL NO. R3462F960) |         |
| 23  | 14H785   | NUT                 | 3   | 5/16"                       |         |
| 24  | 12H303   | LOCK WASHER         | 3   | 5/16"                       |         |
| 25  | 24H1243  | WASHER              | 3   | 11/32" X 5/8" X 1/16"       |         |
| 26  | R77126   | GASKET              | 1   |                             |         |
| 27  | T22242   | SWIVEL              | 1   |                             |         |
| 28  | R76964   | PINION              | 1   | (48 TEETH)                  |         |
| 29  | RE14225  | SOLENOID            | 1   |                             |         |
| 30  | R67149   | COVER               | 1   |                             |         |
| 31  | 12H295   | LOCK WASHER         | 1   | 0.190"                      |         |
| 32  | R61145   | STRAP               | 1   | (ALSO ORDER (2) AR76704)    |         |
| 33  | R59297   | HALF CLAMP          | 2   |                             |         |
| 34  | R59298   | STRAP               | 1   |                             |         |
| 35  | AR76704  | SCREW               | 1   | (ALSO ORDER R61145)         |         |
| 36  | DD13912  | FLANGE              | 1   |                             |         |
| 37  | CD13870  | BLADE               | AR  | (MALE)                      |         |

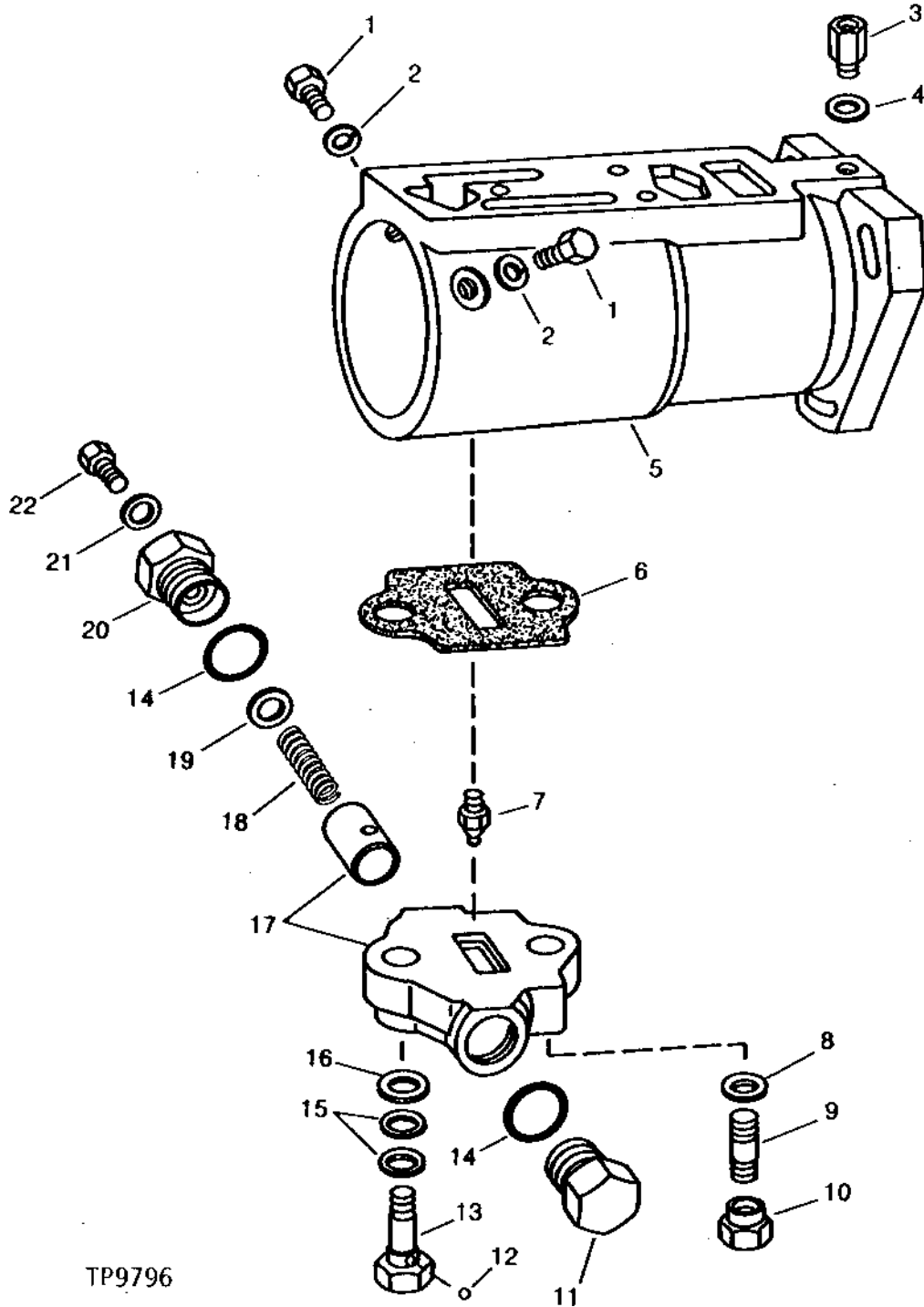
(A) EITHER PART ACCEPTABLE. CHECK LOCAL AVAILABILITY.

# 1E1

## FUEL INJECTION PUMP HOUSING AND AUTOMATIC ADVANCE (ROTO-DIESEL) (6359DH)

TP9796

-UN-01JAN94



FUEL INJECTION PUMP HOUSING AND AUTOMATIC ADVANCE - CONTINUED  
(ROTO-DIESEL) (6359DH)

| KEY | PART NO. | PART NAME  | QTY | ENGINE<br>SERIAL NO. | REMARKS |
|-----|----------|------------|-----|----------------------|---------|
| 1   | T24550   | SCREW      | 1   |                      |         |
| 2   | T24553   | WASHER     | 2   |                      |         |
| 3   | RE11602  | BALL CHECK | 1   |                      |         |
| 4   | T20055   | WASHER     | 1   |                      |         |
| 5   | RE13783  | HOUSING    | 1   |                      |         |
| 6   | T24637   | GASKET     | 1   |                      |         |
| 7   | T24623   | SCREW      | 1   |                      |         |
| 8   | T24634   | WASHER     | 1   |                      |         |
| 9   | T24632   | STUD       | 1   |                      |         |
| 10  | T24633   | FITTING    | 1   |                      |         |
| 11  | T24625   | PLUG       | 1   |                      |         |
| 12  | T24652   | BALL       | 1   |                      |         |
| 13  | T24636   | FITTING    | 1   |                      |         |
| 14  | T24650   | O-RING     | 1   |                      |         |
| 15  | T24651   | O-RING     | 1   |                      |         |
| 16  | T24635   | WASHER     | 1   |                      |         |
| 17  | RE11598  | HOUSING    | 1   |                      |         |
| 18  | R63035   | SPRING     | 1   |                      |         |
| 19  | R73027   | SHIM       | AR  | 0.1 MM (.004")       |         |
|     | T24628   | SHIM       | AR  | 0.2 MM (.008")       |         |
|     | T24629   | SHIM       | AR  | 0.5 MM (.020")       |         |
|     | T24630   | WASHER     | AR  | 1 MM (.040")         |         |
|     | T24631   | WASHER     | AR  | 2 MM (.080")         |         |
| 20  | T24626   | CAP        | 1   |                      |         |
| 21  | T24627   | WASHER     | 1   |                      |         |
| 22  | T24649   | SCREW      | 1   |                      |         |

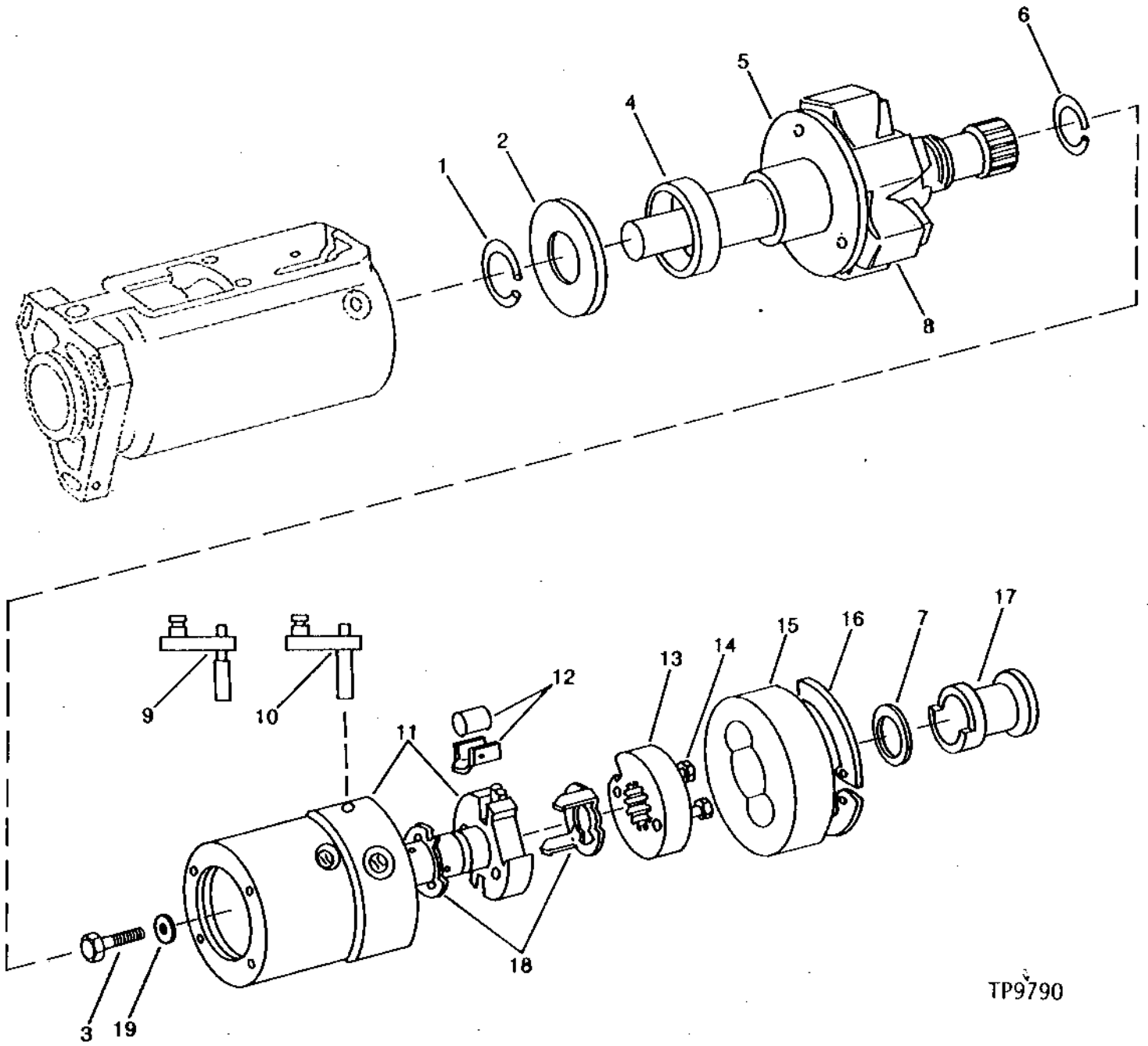
# 1E3

FUEL AND AIR

TP9790

-UN-01JAN94

## FUEL INJECTION PUMP HEAD, ROTOR AND DRIVE (ROTO-DIESEL) (6359DH)



TP9790

FUEL INJECTION PUMP HEAD, ROTOR AND DRIVE - CONTINUED  
(ROTO-DIESEL) (6359DH)

| KEY | PART NO. | PART NAME                 | QTY | SERIAL NO. | REMARKS              |
|-----|----------|---------------------------|-----|------------|----------------------|
| 1   | R56135   | SNAP RING                 | 1   |            |                      |
| 2   | R56136   | WASHER                    | AR  |            |                      |
|     | R77683   | WASHER                    | AR  |            | TK = 2.18 MM (.086") |
|     | R77684   | WASHER                    | AR  |            | TK = 2.31 MM (.097") |
| 3   | T24546   | SCREW                     | 1   |            |                      |
| 4   | AT21738  | GASKET                    | 1   |            |                      |
| 5   | RE13782  | DRIVE SHAFT               | 1   |            |                      |
| 6   | R56132   | SNAP RING                 | 1   |            |                      |
| 7   | T24564   | WASHER                    | 2   |            |                      |
| 8   | T24562   | WEIGHT                    | 4   |            |                      |
| 9   | RE14226  | VALVE                     | AR  |            | STANDARD             |
| 10  | RE14227  | VALVE                     | AR  |            | OVERSIZE             |
| 11  | AR87378  | HYDRAULIC HEAD, AND ROTOR | 1   |            |                      |
| 12  | RE14224  | KIT                       | 1   |            |                      |
| 13  | T24558   | PLATE                     | 1   |            |                      |
| 14  | T24559   | SCREW                     | 2   |            |                      |
| 15  | R63102   | RING                      | 1   |            |                      |
| 16  | R51799   | SNAP RING                 | 1   |            |                      |
| 17  | R60373   | SLEEVE                    | 1   |            |                      |
| 18  | AR93638  | PLATE                     | 1   |            | (ADJUSTMENT)         |
| 19  | T27761   | WASHER                    | 1   |            |                      |

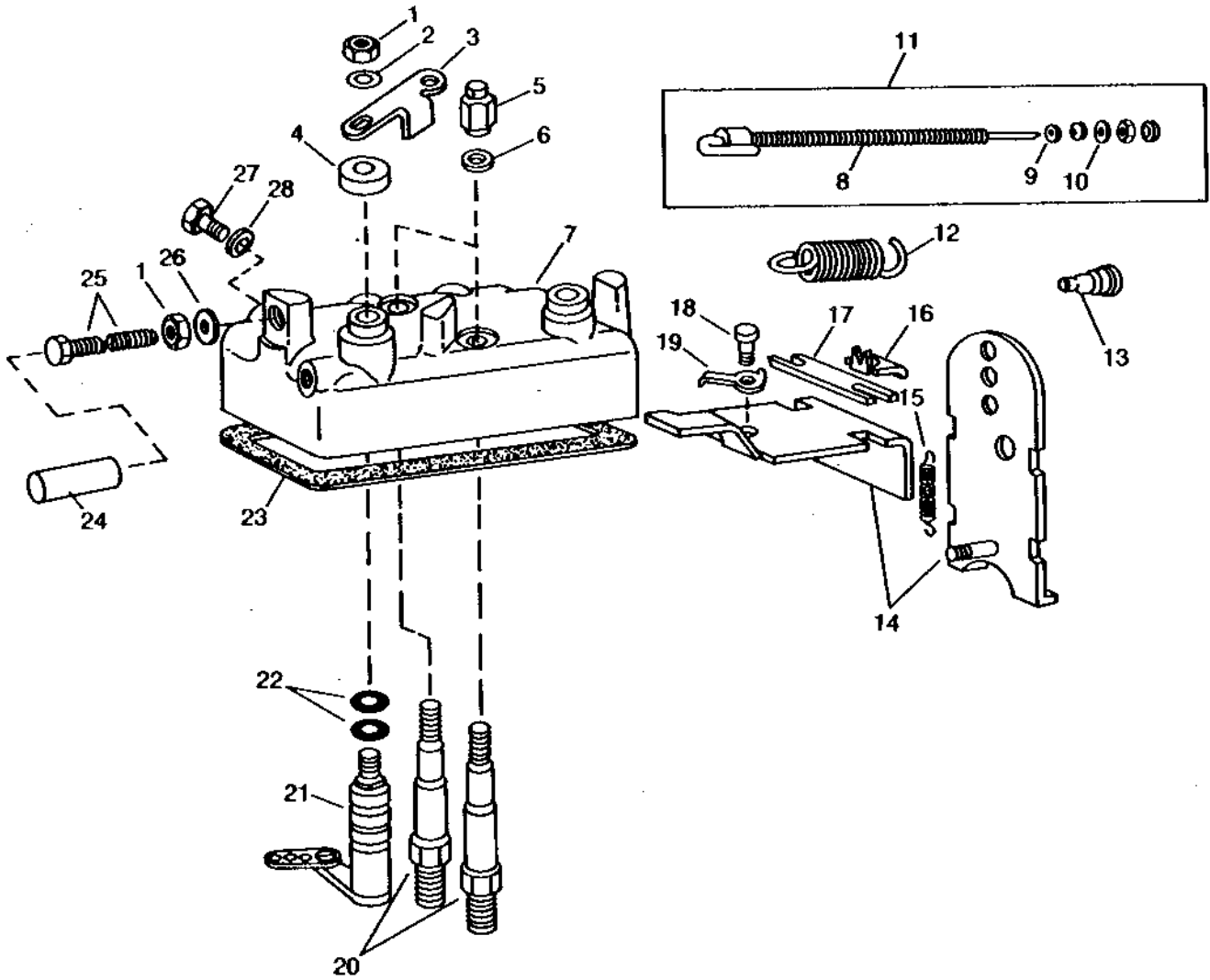
# 1E5

FUEL AND AIR

HP2303

-UN-01JAN94

## FUEL INJECTION PUMP LINKAGE AND COVER (ROTO-DIESEL) (6359DH)



HP2303

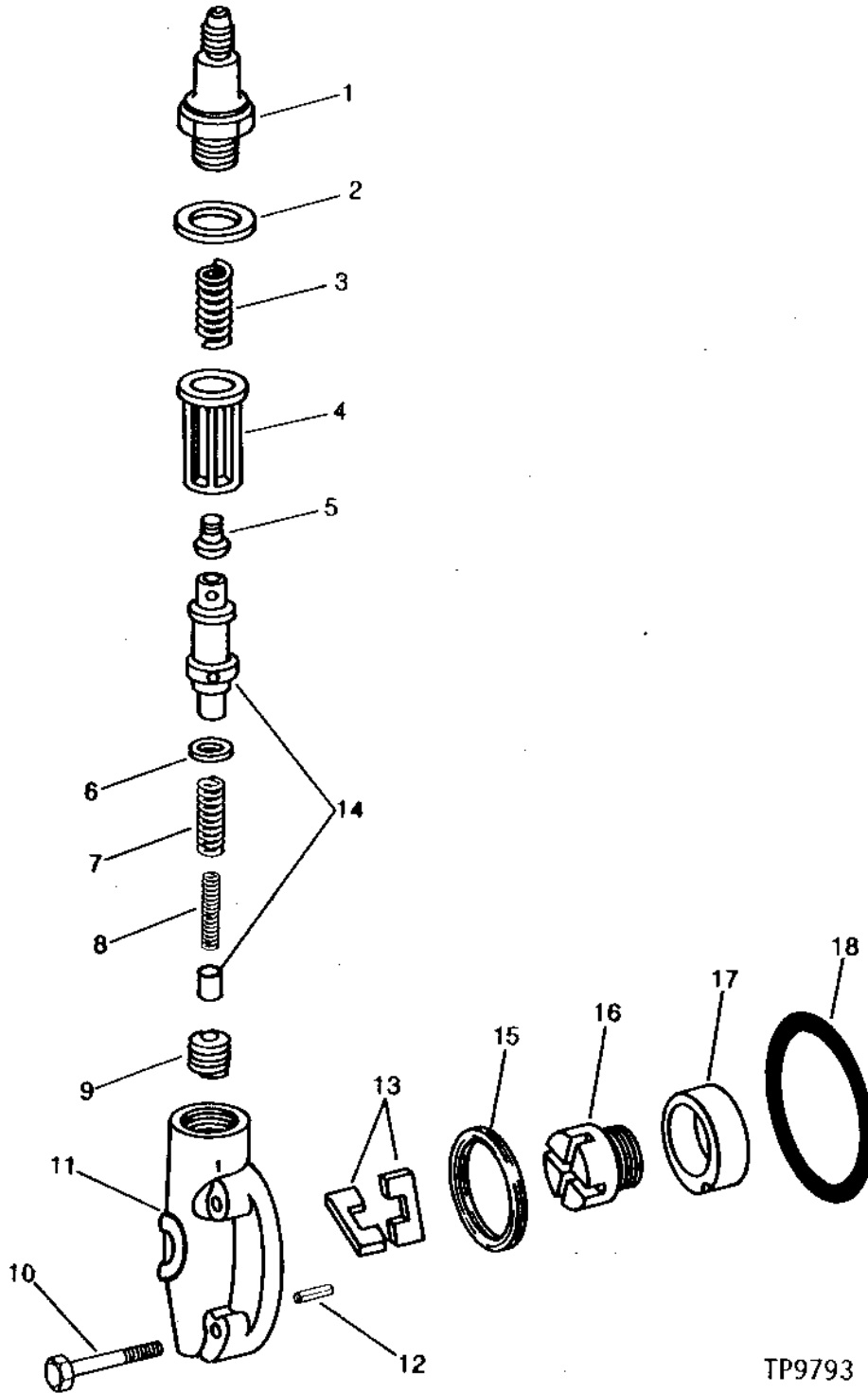
FUEL INJECTION PUMP LINKAGE AND COVER - CONTINUED  
(ROTO-DIESEL) (6359DH)

| KEY | PART NO. | PART NAME   | QTY | ENGINE<br>SERIAL NO. | REMARKS                            |
|-----|----------|-------------|-----|----------------------|------------------------------------|
| 1   | T24589   | NUT         | 2   |                      |                                    |
| 2   | 12H295   | LOCK WASHER | 1   | 0.190"               |                                    |
| 3   | T24588   | LEVER       | 1   |                      |                                    |
| 4   | T24590   | CAP         | 1   |                      |                                    |
| 5   | T24598   | NUT         | 2   |                      |                                    |
| 6   | T24599   | WASHER      | 2   |                      |                                    |
| 7   | R67149   | COVER       | 1   |                      |                                    |
| 8   | T24577   | BOLT        | 1   | (SUB AT29461)        |                                    |
| 9   | T24581   | WASHER      | 1   | (SUB AT29461)        |                                    |
| 10  | T24583   | WASHER      | 1   | (SUB AT29461)        |                                    |
| 11  | AT29461  | LINKAGE     | 1   |                      |                                    |
| 12  | R50933   | SPRING      | 1   |                      |                                    |
| 13  | T24586   | GUIDE       | 1   |                      |                                    |
| 14  | RE16904  | KIT         | 1   |                      | THROTTLE LEVER, BRACKET AND SPRING |
| 15  | T24576   | SPRING      | 1   |                      |                                    |
| 16  | T24596   | WASHER      | 2   |                      |                                    |
| 17  | T24595   | PLATE       | 1   |                      |                                    |
| 18  | R62077   | CAP SCREW   | 1   |                      |                                    |
| 19  | R62078   | WASHER      | 1   |                      |                                    |
| 20  | T24597   | STUD        | 2   |                      |                                    |
| 21  | AT21742  | SHAFT       | 1   |                      |                                    |
| 22  | T24647   | O-RING      | 4   |                      |                                    |
| 23  | R79541   | GASKET      | 1   |                      |                                    |
| 24  | R79016   | COVER       | 1   |                      |                                    |
| 25  | R80027   | SCREW       | 1   |                      |                                    |
| 26  | T24604   | WASHER      | 2   |                      |                                    |
| 27  | R80312   | CAP SCREW   | 1   |                      |                                    |
| 28  | R80313   | WASHER      | 1   |                      |                                    |

TP9793

-UN-01JAN94

## FUEL INJECTION PUMP TRANSFER (ROTO-DIESEL) (6359DH)





# 1E8

FUEL AND AIR

## FUEL INJECTION PUMP TRANSFER - CONTINUED (ROTO-DIESEL) (6359DH)

| KEY | PART NO. | PART NAME   | QTY | ENGINE<br>SERIAL NO. | REMARKS     |
|-----|----------|-------------|-----|----------------------|-------------|
| 1   | R79015   | FITTING     | 1   |                      |             |
| 2   | T24619   | WASHER      | 1   |                      |             |
| 3   | T24617   | SPRING      | 1   |                      |             |
| 4   | T24618   | FUEL FILTER | 1   |                      |             |
| 5   | R59821   | PLUG        | 1   |                      |             |
| 6   | T24622   | SHIM        | 1   |                      |             |
| 7   | R77680   | SPRING      | 1   |                      |             |
| 8   | R77681   | SPRING      | 1   |                      |             |
| 9   | T24658   | SPRING      | 1   |                      |             |
| 10  | R77682   | CAP SCREW   | 4   |                      |             |
| 11  | AR78632  | PLATE       | 1   |                      |             |
| 12  | 34H240   | SPRING PIN  | 1   |                      | 1/8" X 1/4" |
| 13  | R62054   | BLADE       | 2   |                      |             |
| 14  | RE11601  | KIT         | 1   |                      |             |
| 15  | R24549   | WASHER      | 1   |                      |             |
| 16  | T24610   | ROTOR       | 1   |                      |             |
| 17  | R62052   | CAM         | 1   |                      |             |
| 18  | T24548   | O-RING      | 1   |                      |             |

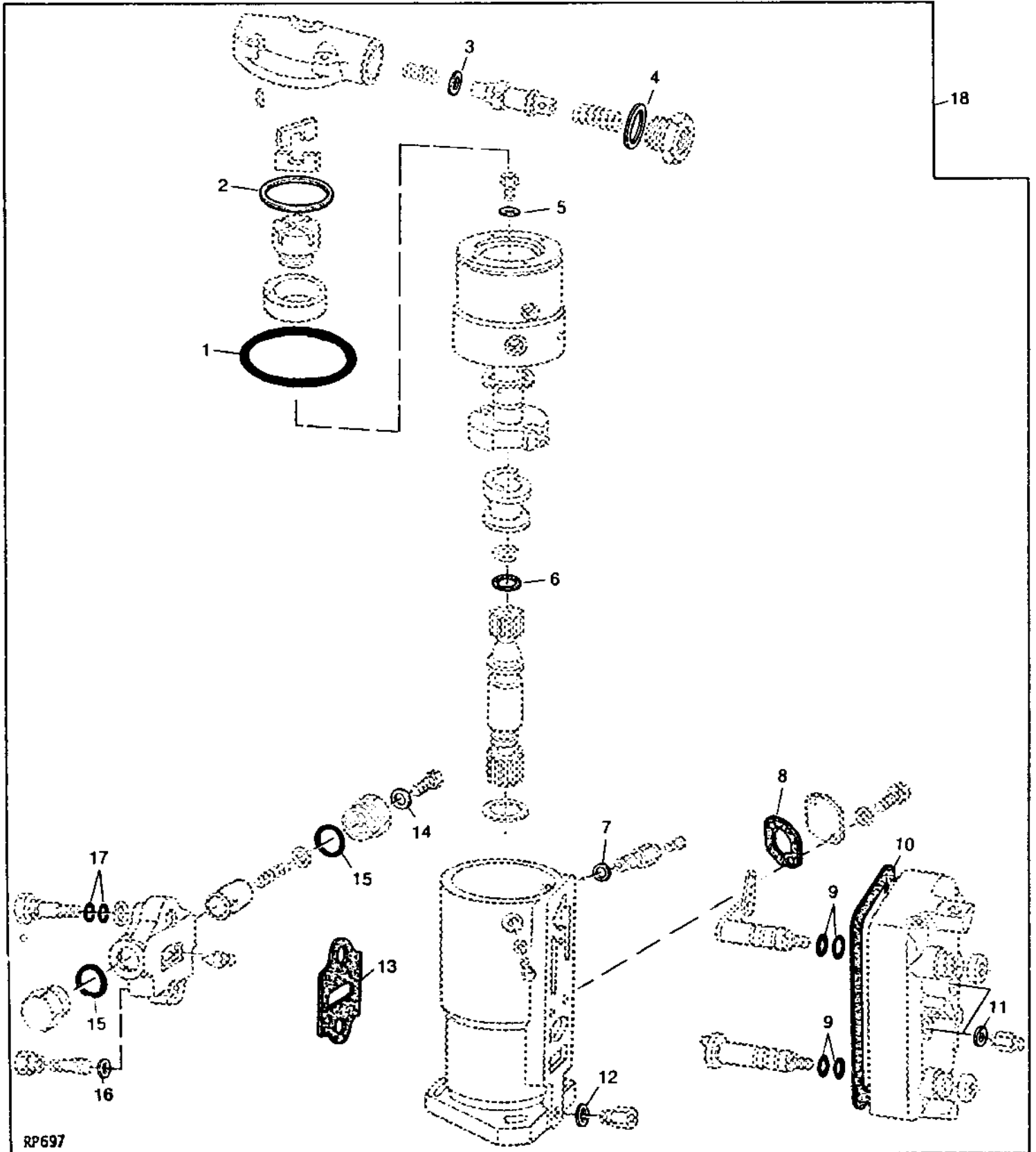
# 1E9

FUEL AND AIR

## FUEL INJECTION PUMP GASKET KIT (ROTO-DIESEL) (6359DH)

RP697

-UN-01JAN94



RP697

FUEL INJECTION PUMP GASKET KIT - CONTINUED  
(ROTO-DIESEL) (6359DH)

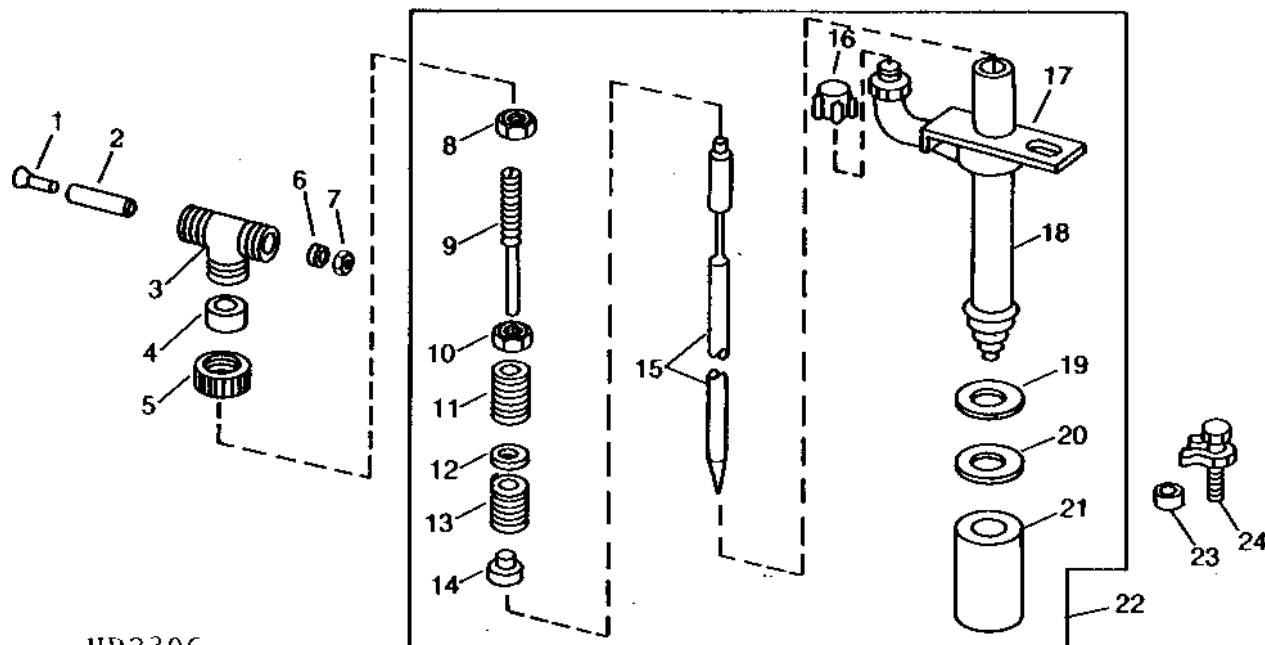
| KEY | PART NO. | PART NAME  | QTY | ENGINE SERIAL NO. | REMARKS          |
|-----|----------|------------|-----|-------------------|------------------|
| 1   | T24548   | O-RING     | 1   |                   |                  |
| 2   | T24549   | WASHER     | 1   |                   |                  |
| 3   | T24622   | SHIM       | 1   |                   |                  |
| 4   | T24619   | WASHER     | 1   |                   |                  |
| 5   | T27761   | WASHER     | 1   |                   |                  |
| 6   | T30653   | O-RING     | 1   |                   |                  |
| 7   | T24553   | WASHER     | 2   |                   |                  |
| 8   | T24543   | GASKET     | 1   |                   |                  |
| 9   | T24647   | O-RING     | 4   |                   |                  |
| 10  | R79541   | GASKET     | 1   |                   | (SUB FOR T24600) |
| 11  | T24599   | WASHER     | 2   |                   |                  |
| 12  | T20055   | WASHER     | 6   |                   |                  |
| 13  | T24637   | GASKET     | 1   |                   |                  |
| 14  | T24627   | WASHER     | 1   |                   |                  |
| 15  | T24650   | O-RING     | 1   |                   |                  |
| 16  | T24634   | WASHER     | 1   |                   |                  |
| 17  | T24651   | O-RING     | 2   |                   |                  |
| 18  | AR69852  | GASKET KIT | 1   |                   | KIT              |

# 1E11

FUEL AND AIR

HP2306 -UN-01JAN94

## FUEL INJECTION NOZZLE (ROTO-DIESEL) (6359DH)



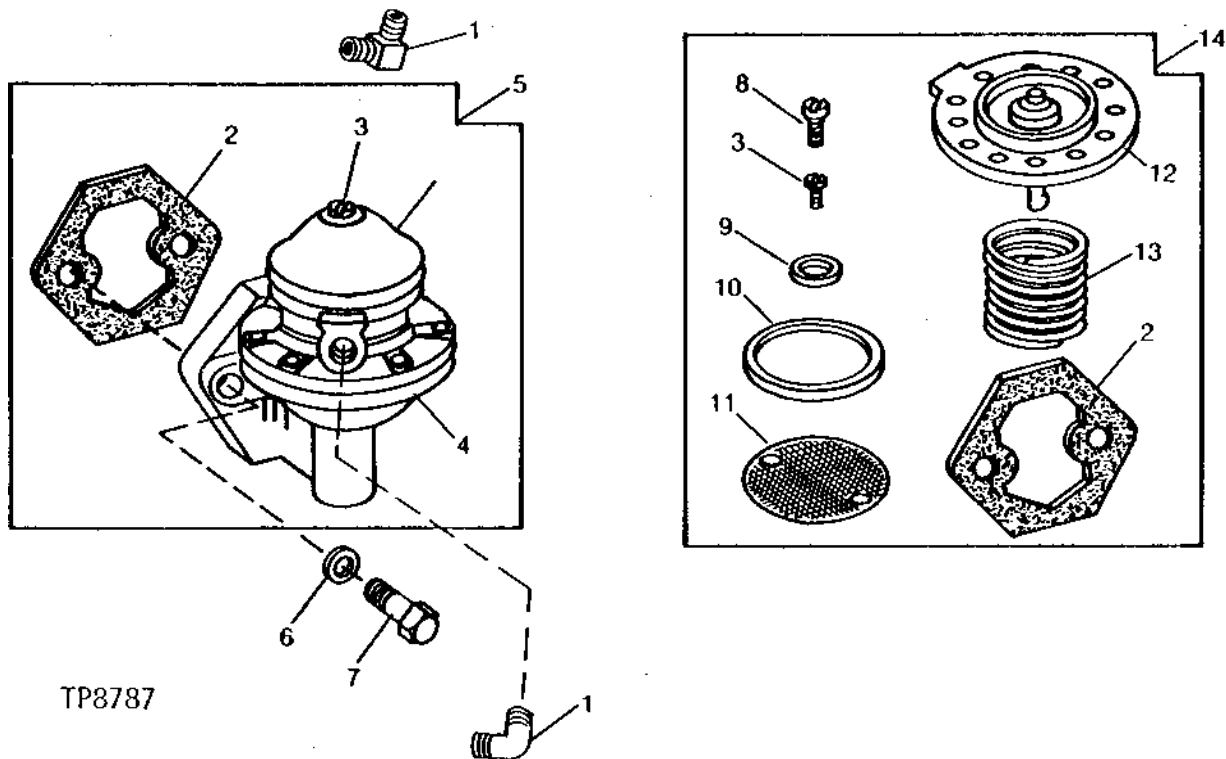
HP2306

| KEY | PART NO. | PART NAME        | QTY | SERIAL NO.                         | REMARKS |
|-----|----------|------------------|-----|------------------------------------|---------|
| 1   | 16M2605  | RIVET            | 1   | 6 X 20 MM                          |         |
| 2   | R66090   | TUBE             | 2   |                                    |         |
| 3   | R79606   | TEE FITTING      | 1   |                                    |         |
| 4   | R79605   | WASHER           | 1   |                                    |         |
| 5   | R79604   | TUBE NUT         | 1   |                                    |         |
| 6   | R51936   | PACKING          | 6   |                                    |         |
| 7   | R51937   | TUBE NUT         | 6   |                                    |         |
| 8   | R47733   | LOCK NUT         | 1   |                                    |         |
| 9   | R69443   | SCREW            | 1   |                                    |         |
| 10  | R46675   | NUT              | 1   |                                    |         |
| 11  | R62984   | SCREW            | 1   |                                    |         |
| 12  | R62981   | WASHER           | 1   |                                    |         |
| 13  | R69442   | SPRING           | 1   |                                    |         |
| 14  | R62982   | GUIDE            | 1   |                                    |         |
| 15  | .....    | VALVE            | 1   | (SUB AR89564)                      |         |
| 16  | T31174   | PLUG             | 1   | (USE FOR SERVICING NOZZLE)         |         |
| 17  | R67779   | CLAMP            | 1   |                                    |         |
| 18  | .....    | TUBE             | 1   | (SUB AR89564)                      |         |
| 19  | R60746   | WASHER           | 1   | (K) (SUB RE13887) (SUB FOR R34764) |         |
| 20  | R48000   | WASHER           | 1   |                                    |         |
| 21  | T24472   | PLUG             | 1   | (USE FOR SERVICING NOZZLE)         |         |
| 22  | AR89564  | INJECTION NOZZLE | 1   | (ROOSA-MASTER NO. 22202)           |         |
| 23  | R60745   | SPACER           | 1   | (K)                                |         |
| 24  | R34760   | CLAMP            | 1   | WITH SCREW AND WASHER              |         |

(K) KIT RE13887

FUEL TRANSFER PUMP  
(AC AND SOFABEX)  
(6359DH)

TP8787 -UN-01JAN94



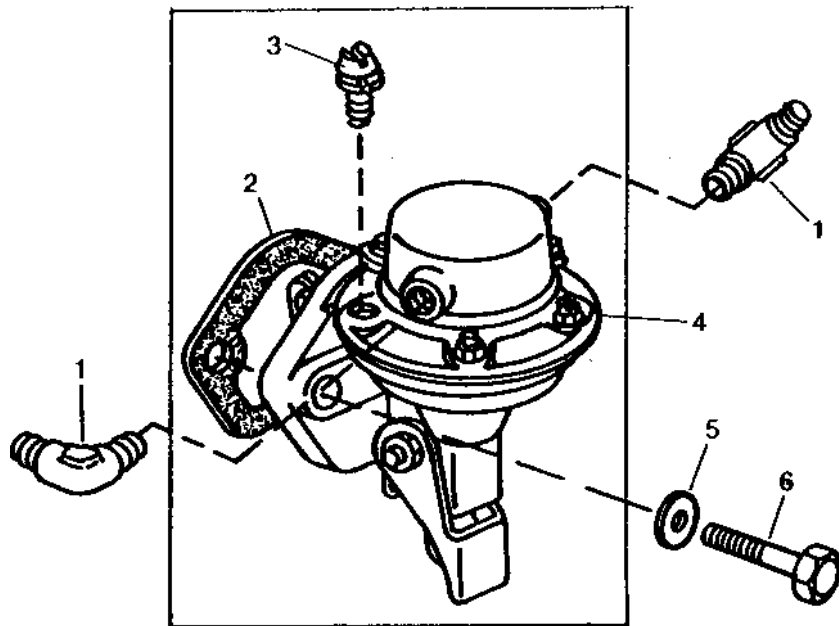
TP8787

| KEY | PART NO. | PART NAME     | QTY | SERIAL NO.     | REMARKS |
|-----|----------|---------------|-----|----------------|---------|
| 1   | T30738   | ELBOW FITTING | 2   |                |         |
| 2   | R27285   | GASKET        | 1   |                |         |
| 3   | 21M7036  | SCREW         | 1   | M5 X 16        |         |
| 4   | .....    | FUEL PUMP     | 1   | (SUB DD14292)  |         |
| 5   | DD14292  | FUEL PUMP     | 1   |                |         |
| 6   | R20498   | WASHER        | 2   |                |         |
| 7   | 19H1849  | CAP SCREW     | 2   | 5/16" X 1-1/4" |         |
| 8   | R49266   | BOLT          | 2   |                |         |
| 9   | .....    | GASKET        | 1   | (SUB RE13517)  |         |
| 10  | .....    | GASKET        | 1   | (SUB RE13517)  |         |
| 11  | .....    | SCREEN        | 1   | (SUB RE13517)  |         |
| 12  | .....    | DIAPHRAGM     | 1   | (SUB RE13517)  |         |
| 13  | .....    | SPRING        | 1   | (SUB RE13517)  |         |
| 14  | RE13517  | KIT           | 1   |                |         |

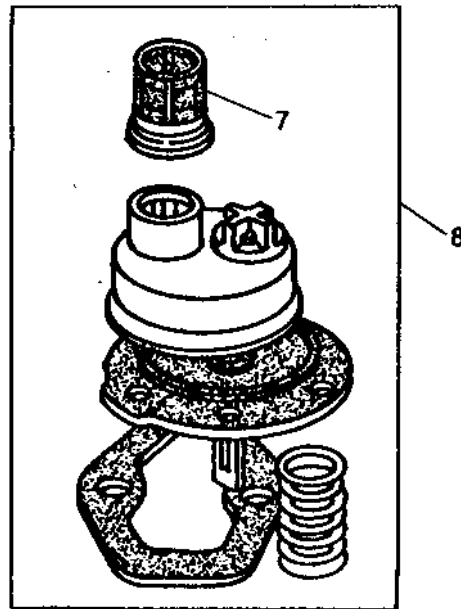
# 1E13

FUEL TRANSFER PUMP  
(CORONA)  
(6359DH)

TP5316 -UN-01JAN94



TP5316



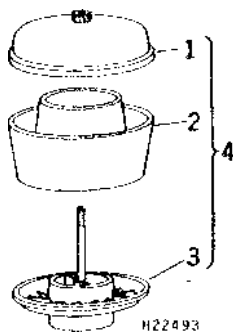
| KEY | PART NO. | PART NAME          | QTY | SERIAL NO. | REMARKS                  |
|-----|----------|--------------------|-----|------------|--------------------------|
| 1   | T30738   | ELBOW FITTING      | 2   | 90°        |                          |
| 2   | R27285   | GASKET             | 1   |            |                          |
| 3   | AR102676 | SCREW, WITH WASHER | 6   |            |                          |
| 4   | DD14195  | FUEL PUMP          | 1   |            |                          |
| 5   | 24H1136  | WASHER             | 2   |            | WITH GASKET              |
| 6   | 19H1849  | CAP SCREW          | 2   |            | 11/32" X 11/16" X 0.065" |
| 7   | R75931   | STRAINER           | 1   |            | 5/16" X 1-1/4"           |
| 8   | DD14194  | FUEL PUMP          | 1   |            |                          |

# 1E14

FUEL AND AIR

H22493 -UN-01JAN94

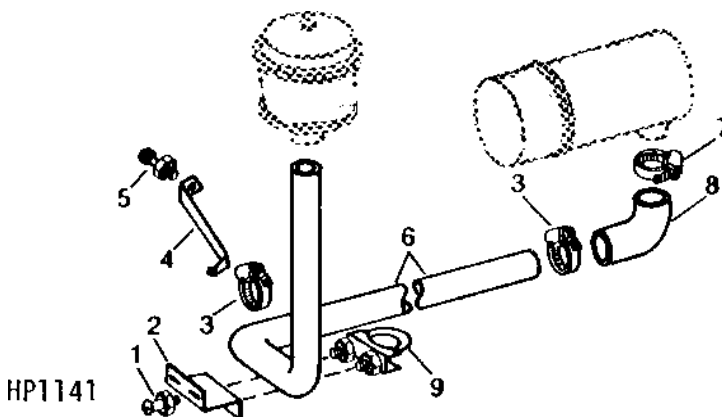
## PRECLEANER



| KEY | PART NO. | PART NAME   | QTY | SERIAL NO. | REMARKS |
|-----|----------|-------------|-----|------------|---------|
| 1   | AR1729R  | COVER       | 1   |            |         |
| 2   | R28795   | DUST BOWL   | 1   |            |         |
| 3   | AR28040  | BASE        | 1   |            |         |
| 4   | AR26417  | PRESCREENER | 1   |            |         |

## AIR INTAKE TUBES (PRECLEANER TO AIR CLEANER)

HP1141 -UN-01JAN94



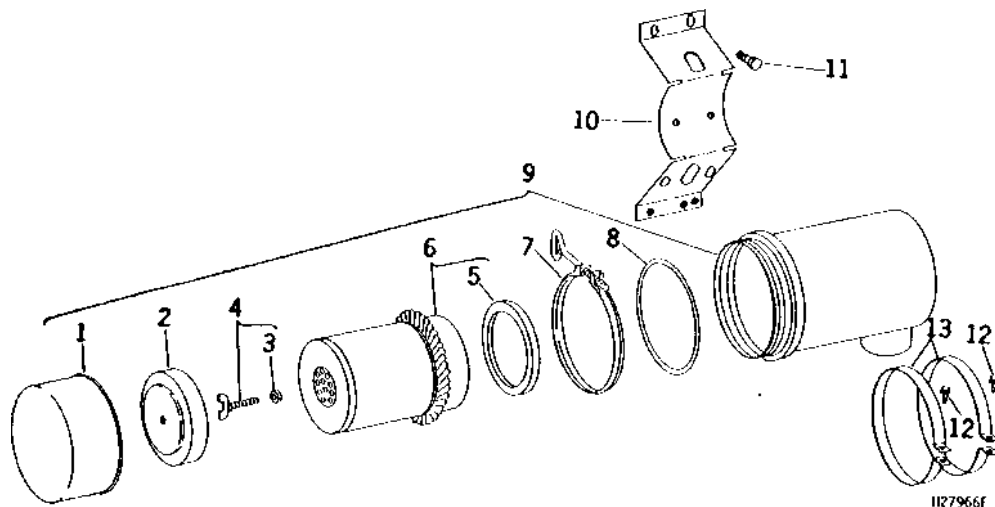
| KEY | PART NO. | PART NAME | QTY | SERIAL NO.   | REMARKS |
|-----|----------|-----------|-----|--------------|---------|
| 1   | 03H1540  | BOLT      | 2   | 5/16" X 3/4" |         |
|     | N10213   | LOCK NUT  | 2   |              |         |
| 2   | H84692   | BRACKET   | 1   |              |         |
| 3   | AR21841  | CLAMP     | 2   |              |         |
| 4   | H102146  | BRACE     | 1   |              |         |
| 5   | 03H1540  | BOLT      | 1   | 5/16" X 3/4" |         |
|     | N10213   | LOCK NUT  | 1   |              |         |
| 6   | H98972   | TUBE      | 1   |              |         |
| 7   | C16054   | CLAMP     | 1   |              |         |
| 8   | H76357   | HOSE      | 1   |              |         |
| 9   | AH83985  | CLAMP     | 1   |              |         |

# 1E15

FUEL AND AIR

H27966F -UN-01JAN94

## AIR CLEANER



| KEY | PART NO. | PART NAME          | QTY | SERIAL NO. | REMARKS    |
|-----|----------|--------------------|-----|------------|------------|
| 1   | AH21420  | CAP                | 1   |            |            |
| 2   | R36698   | COVER              | 1   |            |            |
| 3   | R36699   | WASHER             | 1   |            |            |
| 4   | R36701   | WING SCREW         | 1   |            |            |
| 5   | R36700   | GASKET             | 1   |            |            |
| 6   | AR36044  | AIR CLEANER        | 1   |            |            |
| 7   | AH21419  | CLAMP              | 1   |            |            |
| 8   | H36036   | O-RING             | 1   |            |            |
| 9   | AH21283  | AIR CLEANER        | 1   |            |            |
| 10  | H84693   | SUPPORT            | 1   |            |            |
| 11  | N10212   | SELF-LOCKING SCREW | 2   |            |            |
| 12  | 21H1331  | SCREW              | 2   |            | 5/16" X 1" |
|     | 14H785   | NUT                | 2   |            | 5/16"      |
| 13  | H76365   | STRAP              | 2   |            |            |

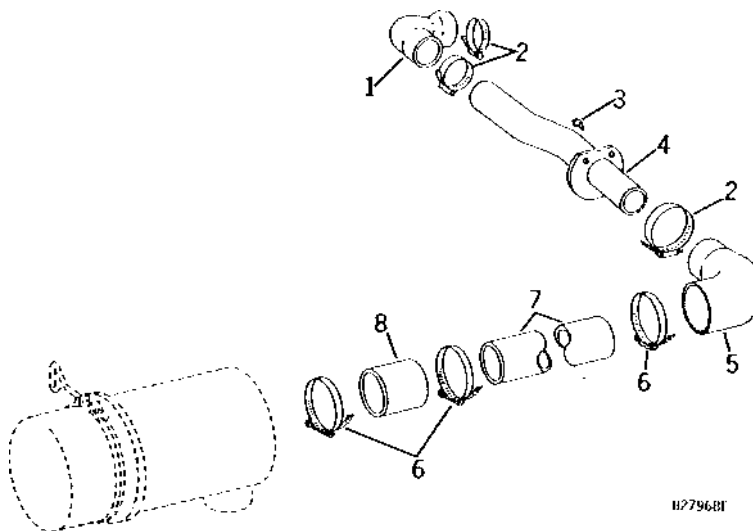


# 1E16

FUEL AND AIR

H27968F -UN-01JAN94

## AIR INTAKE TUBES (AIR CLEANER TO MANIFOLD)



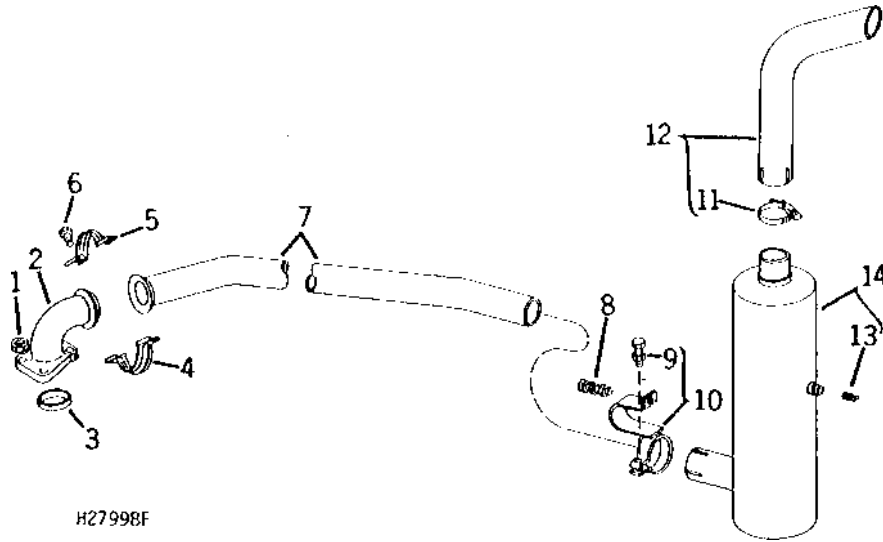
| KEY | PART NO. | PART NAME  | QTY | SERIAL NO. | REMARKS                         |
|-----|----------|------------|-----|------------|---------------------------------|
| 1   | H76467   | HOSE       | 1   |            |                                 |
| 2   | AR21999  | HOSE CLAMP | 3   |            | (SUB AR85328, THIS APPLICATION) |
|     | AR85328  | CLAMP      | 3   |            |                                 |
| 3   | H76139   | SCREW      | 3   |            |                                 |
| 4   | AH83848  | TUBE       | 1   |            |                                 |
| 5   | H81748   | HOSE       | 1   |            |                                 |
| 6   | C16054   | CLAMP      | 3   | -400784    |                                 |
|     | AH103182 | HOSE CLAMP | 3   | 400785-    |                                 |
| 7   | H87322   | TUBE       | 1   |            |                                 |
| 8   | R45000   | HOSE       | 1   |            |                                 |

# 1E17

FUEL AND AIR

H27998F -UN-01JAN94

## MUFFLER AND EXHAUST PIPE



| KEY | PART NO. | PART NAME    | QTY | SERIAL NO.     | REMARKS |
|-----|----------|--------------|-----|----------------|---------|
| 1   | 14H812   | NUT          | 4   | 3/8"           |         |
| 2   | H76451   | EXHAUST PIPE | 1   |                |         |
| 3   | T29811   | GASKET       | 1   |                |         |
| 4   | AR46323  | CLAMP        | 1   |                |         |
| 5   | R32235   | CLAMP        | 1   |                |         |
| 6   | 19H1906  | CAP SCREW    | 2   | 5/16" X 1-1/2" |         |
|     | 12H303   | LOCK WASHER  | 2   | 5/16"          |         |
| 7   | H86244   | TUBE         | 1   |                |         |
| 8   | 19H1900  | CAP SCREW    | 1   | 5/16" X 3/4"   |         |
|     | 12H303   | LOCK WASHER  | 1   | 5/16"          |         |
|     | 14H785   | NUT          | 1   | 5/16"          |         |
| 9   | 19H1800  | CAP SCREW    | 1   | 3/8" X 1-1/2"  |         |
|     | 14H812   | NUT          | 1   | 3/8"           |         |
| 10  | AH87697  | BRACKET      | 1   |                |         |
| 11  | AP26468  | CLAMP        | 1   |                |         |
| 12  | AH93599  | EXHAUST PIPE | 1   |                |         |
| 13  | 15H585   | PIPE PLUG    | 1   | 3/4"           |         |
| 14  | AH87289  | MUFFLER      | 1   |                |         |

---

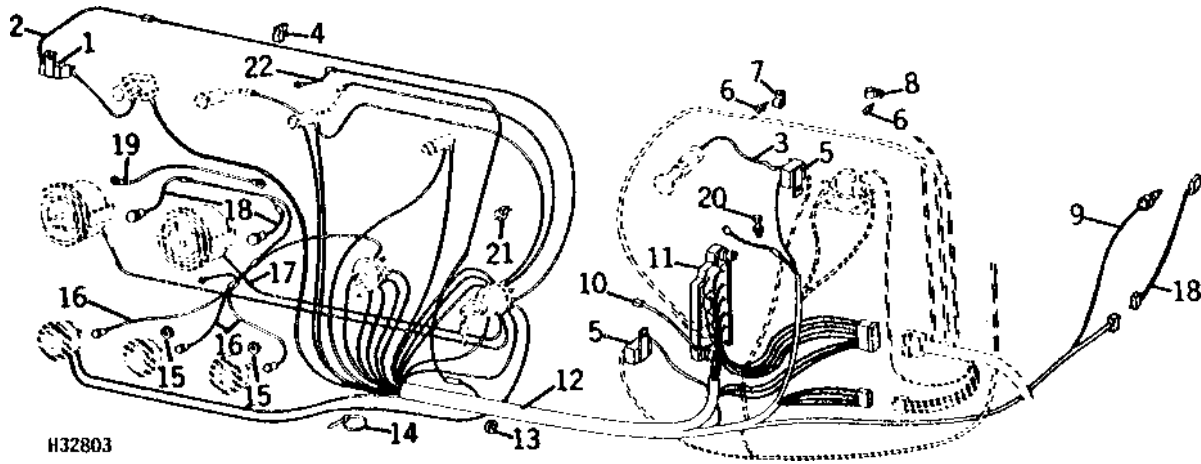
MEMORANDA

# 1E20

ELECTRICAL

H32803 -UN-01JAN94

## FRONT WIRING HARNESS



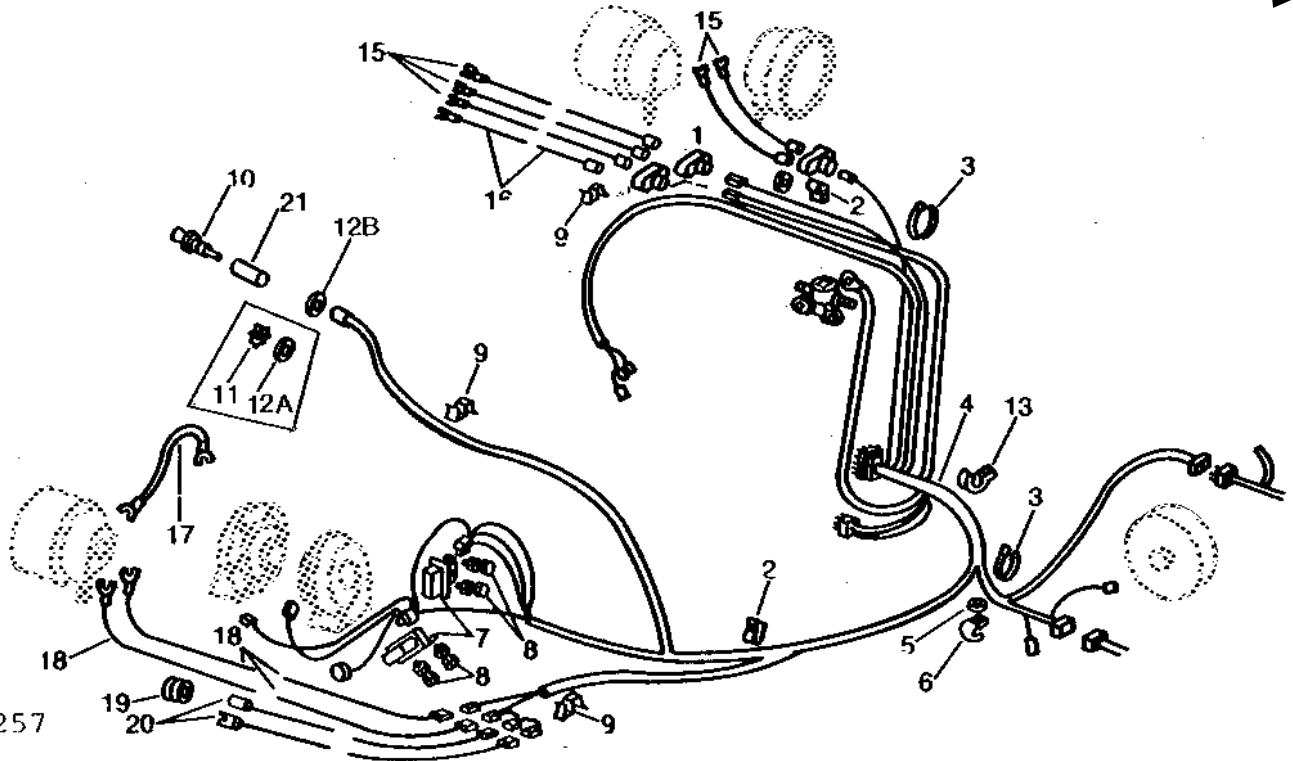
| KEY | PART NO. | PART NAME       | QTY | SERIAL NO.   | REMARKS   |
|-----|----------|-----------------|-----|--------------|---|
| 1   | AR55649  | CIRCUIT BREAKER | 1   |              |   |
|     | 14H631   | NUT             | 2   | 0.190"       |   |
| 2   | AH85266  | WIRING LEAD     | 1   |              |   |
| 3   | AH76637  | WIRING LEAD     | 1   |              |   |
| 4   | H64612   | CLIP            | 4   |              |   |
| 5   | AR49352  | CIRCUIT BREAKER | 1   |              |   |
|     | 14H631   | NUT             | 4   | 0.190"       |   |
| 6   | H76478   | SCREW           | 4   |              |   |
| 7   | T24959   | CLAMP           | 2   |              |   |
|     | AH11015  | CLIP            | 1   |              |   |
| 8   | AH11015  | CLIP            | 8   |              |   |
| 9   | AH87737  | SWITCH          | 1   | -600000      |   |
|     | 15H624   | PIPE PLUG       | 1   | 600001-      | 1/2"  |
| 10  | AH76692  | WIRE            | 1   |              | (RADIO) (WITHOUT OPERATOR'S CAB)  |
| 11  | H88921   | CLIP            | 1   |              | (10 PER BAG)  |
| 12  | AH90662  | WIRING HARNESS  | 1   | -600000      |   |
|     | AH115007 | WIRING HARNESS  | 1   | 600001-      |   |
| 13  | H80627   | GROMMET         | 1   |              |   |
| 14  | M66044   | TIE BAND        | 10  |              |   |
| 15  | H80304   | GROMMET         | 2   |              |   |
| 16  | AH76108  | WIRE            | 3   |              |   |
|     | AH77204  | LENS            | 1   |              |   |
| 17  | AH77199  | LAMP            | 1   |              |   |
|     | AH77204  | LENS            | 1   |              |   |
|     | AR56675  | BULB            | 1   |              |   |
| 18  | AH77200  | SOCKET          | 2   |              |   |
|     | AH75662  | BULB            | 1   | -450350      |   |
|     | AM31284  | BULB            | 1   | 450351-      |   |
| 19  | .....    | WIRE            | 1   |              | 203 MM (8") LONG (MAKE FROM R66319 AND (2) R32018 IN AR84006 WIRE REPAIR KIT) |
| 20  | 19H1900  | CAP SCREW       | 1   | 5/16" X 3/4" |   |
|     | 14H785   | NUT             | 1   | 5/16"        |   |
| 21  | H76064   | CLIP            | 5   |              |   |
| 22  | AH87219  | WIRING HARNESS  | 1   |              |   |

# 1E21

ELECTRICAL

HP2257 -UN-01JAN94

## MIDDLE WIRING HARNESS

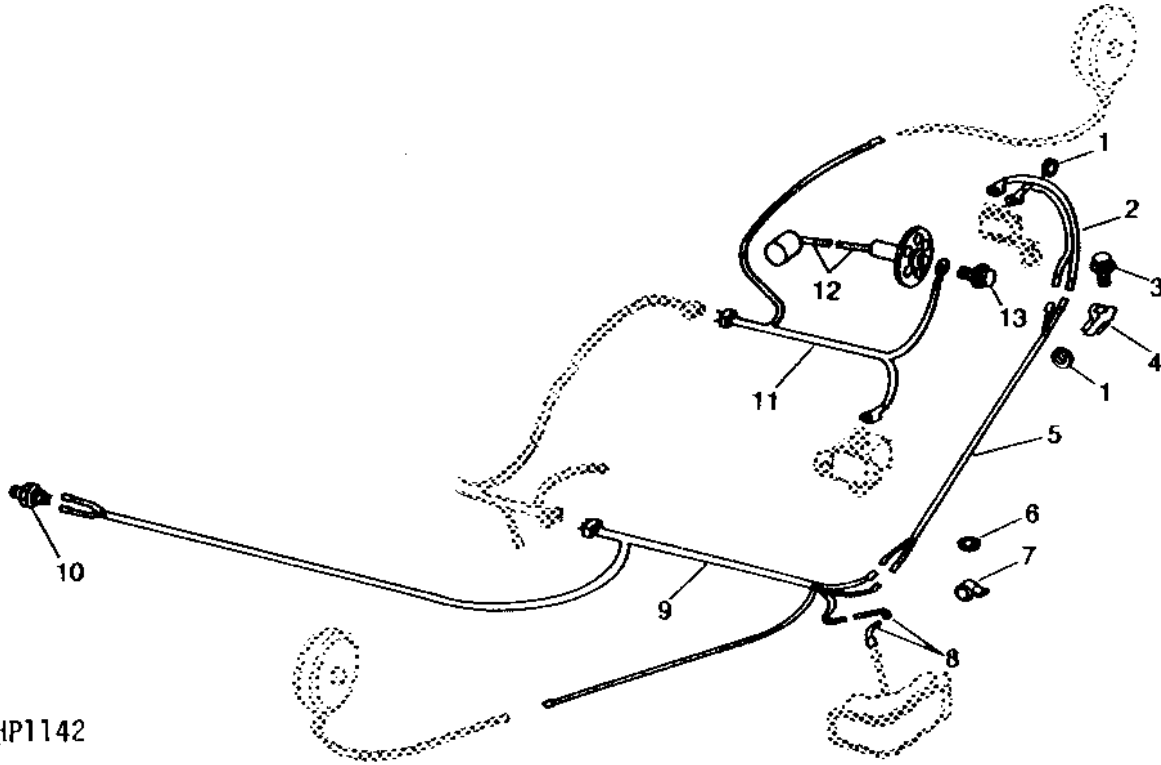


HP2257

| KEY | PART NO. | PART NAME      | QTY | SERIAL NO. | REMARKS  |
|-----|----------|----------------|-----|------------|--|
| 1   | P45476   | GROMMET        | 1   |            |  |
| 2   | AH89557  | CLIP           | 5   |            | CUSHIONED  |
| 3   | M66044   | TIE BAND       | 9   |            |  |
| 4   | AH103389 | WIRING HARNESS | 1   | -500000    | (SUB AH109779)   |
|     | AH109779 | WIRING HARNESS | 1   |            |  |
| 5   | 24H1338  | WASHER         | 2   |            | 33/64" X 7/8" X 0.048"   |
| 6   | T32231   | CLAMP          | 2   |            |  |
| 7   | AH62341  | RELAY          | 2   |            |  |
| 8   | 19H1227  | CAP SCREW      | 4   |            | 1/4" X 1/2"  |
|     | 14H786   | NUT            | 4   |            | 1/4"   |
|     | H64612   | CLIP           | 6   |            |  |
| 10  | AT25437  | SWITCH         | 1   |            | PARKING BRAKE  |
| 11  | 12H334   | LOCK WASHER    | 1   | -600000    | 5/16"  |
| 12A | 14H611   | NUT            | 1   | -600000    | 5/16"  |
| 12B | P47210   | NUT            | 1   | 600001-    |  |
| 13  | AH90990  | CLIP           | 2   |            | CUSHIONED  |
| 14  | AM531T   | CONNECTOR      | 3   |            |  |
| 15  | .....    | WIRING LEAD    | 5   |            | 305 MM (12") LONG (MAKE FROM R66319, R32016, AND R32006 IN AR84006 WIRING KIT)           |
| 16  | .....    | WIRING LEAD    | 1   |            | 1016 MM (40") LONG (MAKE FROM R66319 AND (2) R32016 IN AR84006 WIRING KIT)               |
| 17  | .....    | WIRING LEAD    | 1   |            | 305 MM (12") LONG (MAKE FROM R66319 AND (2) R32016 IN AR84006 WIRING KIT)                |
| 18  | .....    | WIRING LEAD    | 2   |            | 1778 MM (70") LONG (MAKE FROM R66319, R32016, AND R32026 IN AR84006 WIRING KIT)          |
| 19  | H79481   | GROMMET        | 1   |            |  |
| 20  | .....    | WIRING LEAD    | 2   |            | 610 MM (24") LONG (MAKE FROM R66319 AND R32016 IN AR84006 WIRING KIT; T28583 AND U46662) |
| 21  | H88915   | BOOT           | 1   |            | SWITCH, PARKING BRAKE  |

HP1142 -UN-01JAN94

## REAR WIRING HARNESS AND FUEL GAUGE SENDING UNIT



HP1142

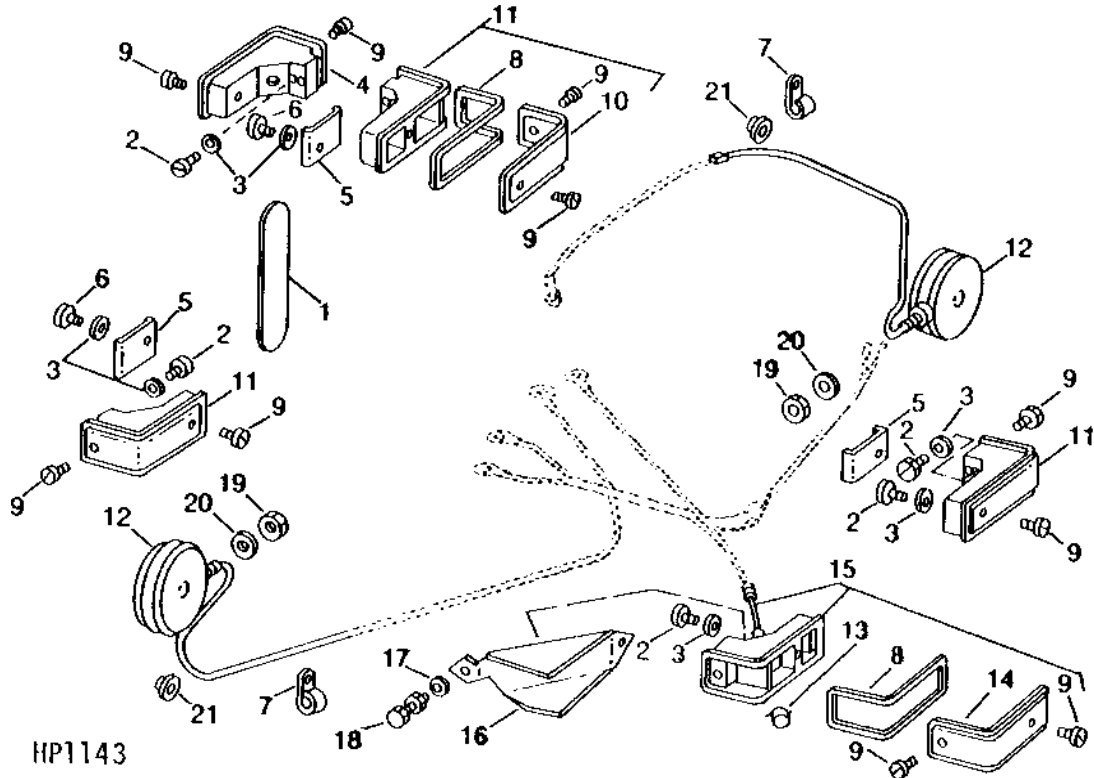
| KEY | PART NO. | PART NAME      | QTY | SERIAL NO. | REMARKS   |
|-----|----------|----------------|-----|------------|---|
| 1   | P45476   | GROMMET        | 2   |            |   |
| 2   | .....    | WIRING HARNESS | 1   |            | 1295 MM (51") LONG, (MAKE FROM (2) R32018, (2) R32026 AND (2) R66319)                                       |
| 3   | H24710   | SCREW          | 1   |            | SELF-TAPPING  |
| 4   | H79897   | PLATE          | 1   |            |   |
| 5   | AH78087  | WIRING HARNESS | 1   | -600000    |   |
|     | AH118014 | WIRING HARNESS | 1   | 600001-    | (MAKE FROM (2) UNITS OF R77502, 40 MM (1-37/64") LONG, CUT FROM RE11154 KIT)                                |
| 6   | 24H1289  | WASHER         | 1   |            | 21/64" X 5/8" X 0.049"  |
| 7   | AH77279  | CLIP           | 1   |            | CUSHIONED   |
| 8   | AH81733  | WIRING LEAD    | 1   | -600000    |   |
|     | .....    | WIRING LEAD    | 1   | 600001-    | (MAKE FROM 2035 MM (8") OF R77500, (1) R77475, (1) T34067, AND (1) R32026 FROM RE11154 KIT AND (1) AL2976T) |
| 9   | AH100314 | WIRING HARNESS | 1   |            |   |
| 10  | AT18988  | SWITCH         | 1   |            | NEUTRAL SAFETY  |
| 11  | AH79151  | WIRING HARNESS | 1   |            | R.H.  |
| 12  | AH85268  | LEVEL GAUGE    | 1   | -600000    | (SUB AH115345)  |
|     | AH115345 | SENSOR         | 1   |            |   |
|     | 14H631   | NUT            | 1   |            | 0.190"  |
| 13  | H85092   | SCREW          | 5   |            | SELF-TAPPING  |

# 1E23

ELECTRICAL

HP1143 -UN-01JAN94

## WARNING LIGHTS, REFLECTORS, AND TAILLIGHTS



HP1143

| KEY | PART NO. | PART NAME | QTY | SERIAL NO. | REMARKS                  |
|-----|----------|-----------|-----|------------|--------------------------|
| 1   | JD134    | REFLECTOR | 1   |            | L.H.                     |
| 2   | 19H2036  | CAP SCREW | 10  |            | 1/4" X 7/8"              |
| 3   | 24H1287  | WASHER    | 10  |            | 9/32" X 5/8" X 0.065"    |
| 4   | H81068   | LENS      | 2   |            |                          |
| 5   | H83789   | CHANNEL   | 2   |            |                          |
| 6   | 19H1914  | CAP SCREW | 2   |            | 1/4" X 1"                |
| 7   | AH11015  | CLIP      | 2   |            |                          |
| 8   | H81071   | GASKET    | 6   |            |                          |
| 9   | H81070   | SCREW     | 8   |            |                          |
| 10  | H81067   | LENS      | 3   |            |                          |
| 11  | AH80595  | REFLECTOR | 3   |            |                          |
| 12  | AT23467  | LAMP      | 2   |            |                          |
|     | AD2062R  | BULB      | 2   |            |                          |
| 13  | AB2599R  | BULB      | 1   |            |                          |
| 14  | H81069   | LENS      | 1   |            |                          |
| 15  | AH80597  | TAIL LAMP | 1   |            |                          |
| 16  | H83387   | SHIELD    | 1   |            |                          |
| 17  | 24H1289  | WASHER    | 1   |            | 21/64" X 5/8" X 0.049"   |
| 18  | H76139   | SCREW     | 1   |            |                          |
|     | N10213   | LOCK NUT  | 1   |            |                          |
| 19  | 14H865   | NUT       | 2   |            | 1/2"                     |
| 20  | 24H1162  | WASHER    | 2   |            | 17/32" X 1-1/4" X 0.060" |
| 21  | H86056   | BUSHING   | 2   |            |                          |

---

MEMORANDA

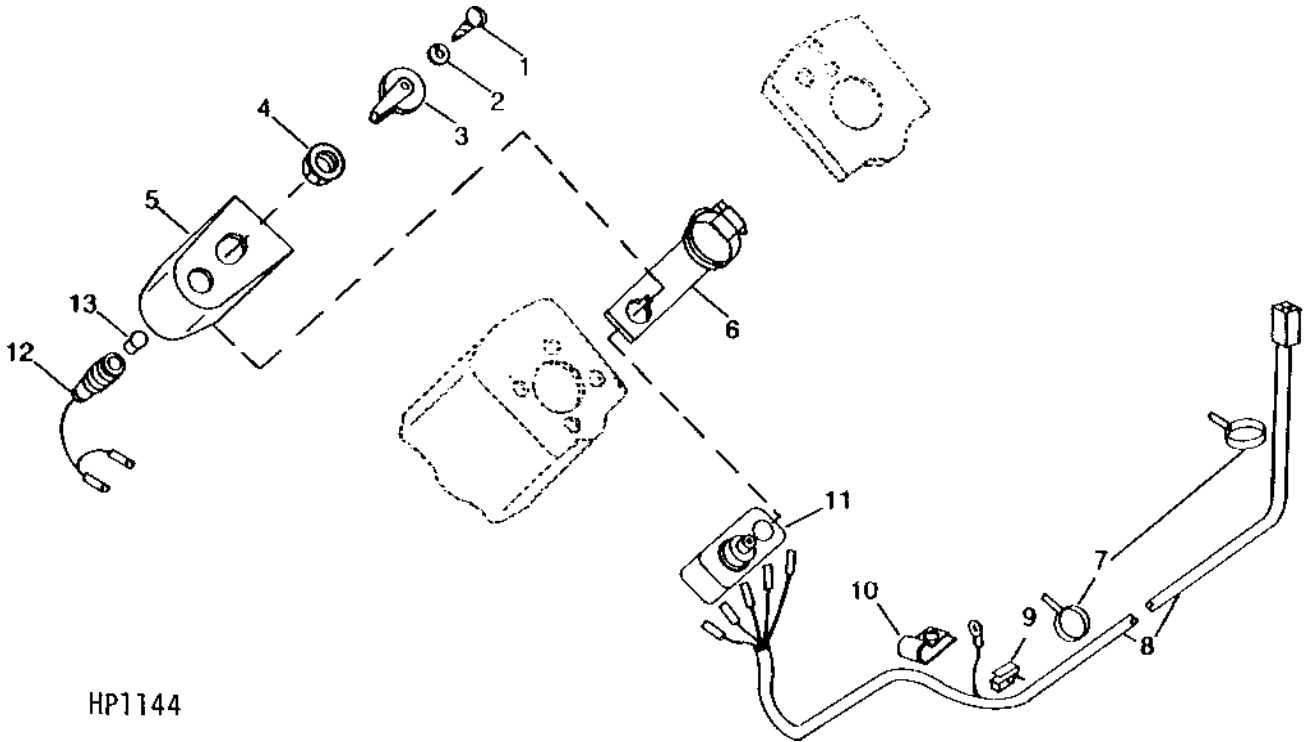


# 1E24

ELECTRICAL

HP1144 -UN-01JAN94

## TURN SIGNALS



HP1144

| KEY | PART NO. | PART NAME              | QTY | SERIAL NO.   | REMARKS |
|-----|----------|------------------------|-----|--------------|---------|
| 1   | 21H1372  | SCREW                  | 1   | 1/8" X 3/8"  |         |
| 2   | 12H338   | LOCK WASHER            | 1   | 1/8"         |         |
| 3   | R56026   | KNOB                   | 1   |              |         |
| 4   | R56410   | NUT                    | 1   | SPECIAL      |         |
| 5   | H86138   | HOUSING                | 1   |              |         |
| 6   | AH87258  | STRAP                  | 1   |              |         |
| 7   | M66044   | TIE BAND               | 9   |              |         |
| 8   | AH93842  | WIRING HARNESS         | 1   |              |         |
| 9   | H64612   | CLIP                   | 1   |              |         |
| 10  | H86139   | CLIP                   | 2   |              |         |
| 11  | AR64422  | TURN SIGNAL CONTROLLER | 1   |              |         |
|     | AR67398  | FLASHER                | 1   | (CALIFORNIA) |         |
| 12  | AH87260  | LAMP                   | 1   |              |         |
| 13  | R56409   | BULB                   | 1   |              |         |

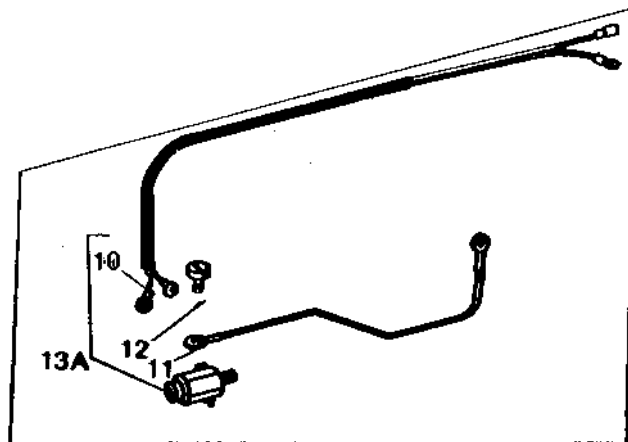
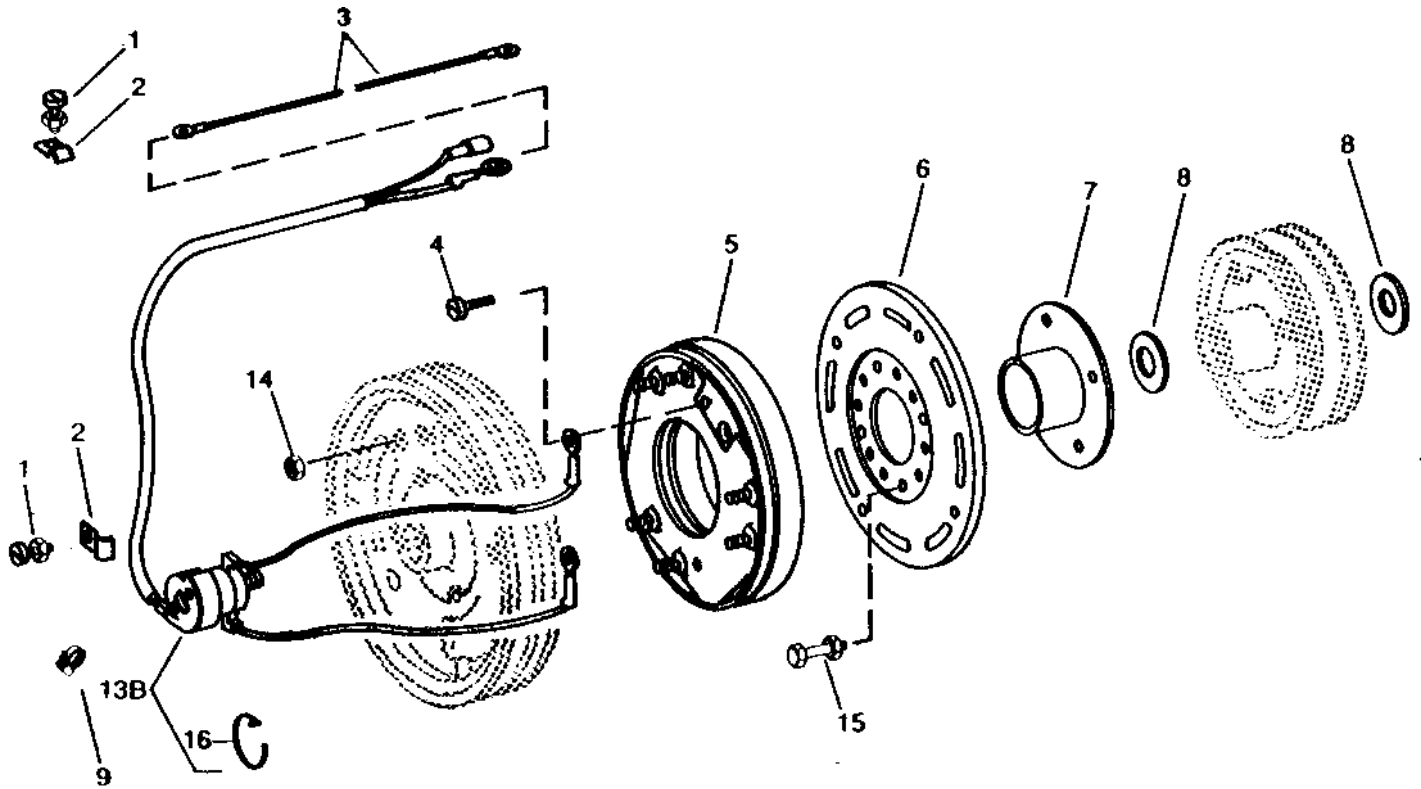
# 1F1

ELECTRICAL

HP1399

-UN-01JAN94

## PLATFORM ELECTROMAGNETIC CLUTCH



HP1399

# 1F2

ELECTRICAL

## PLATFORM ELECTROMAGNETIC CLUTCH - CONTINUED

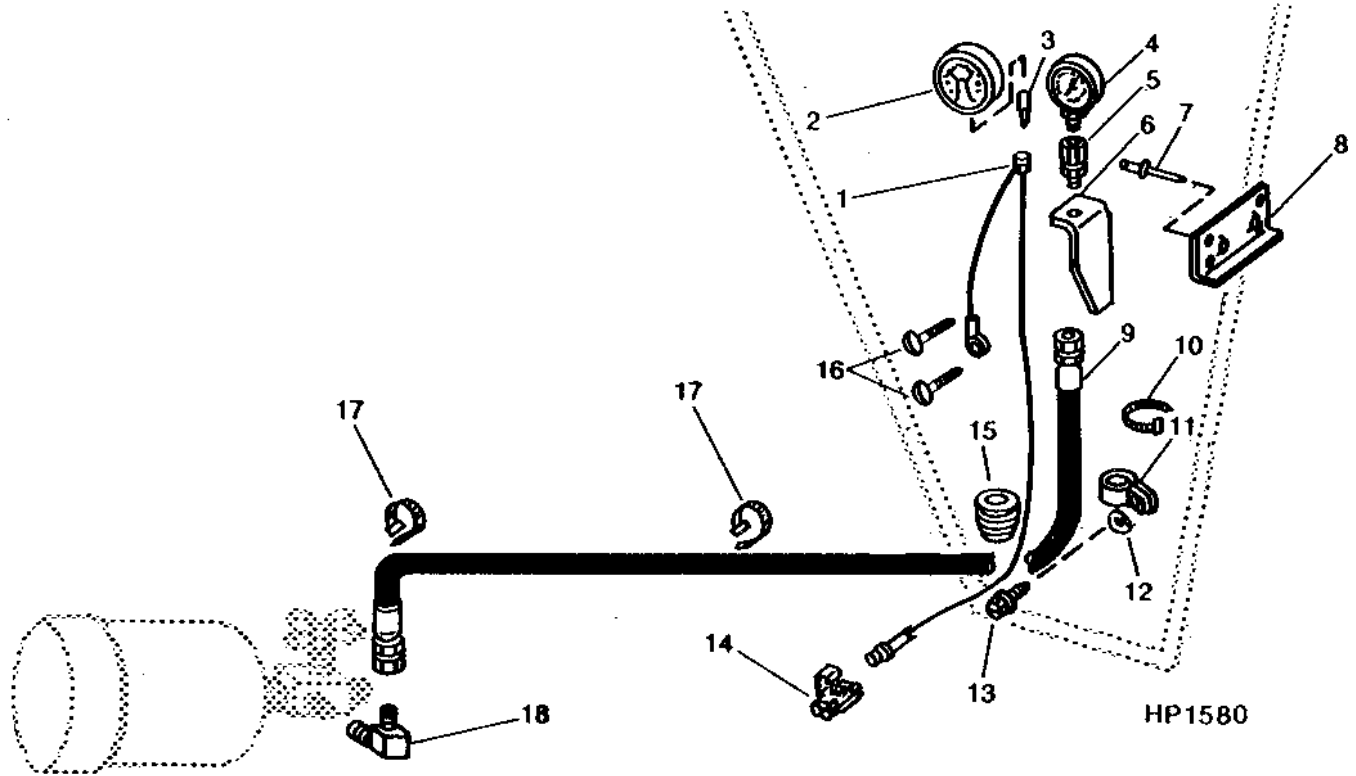
| KEY | PART NO. | PART NAME           | QTY | SERIAL NO. | REMARKS   |
|-----|----------|---------------------|-----|------------|---|
| 1   | 21H1027  | SCREW               | 2   |            | 1/4" X 3/4"   |
|     | 14H786   | NUT                 | 2   |            | 1/4"  |
| 2   | AH78237  | CLAMP               | 2   |            | INSULATED   |
| 3   | AH76348  | WIRING LEAD         | 1   |            |   |
| 4   | 21H1335  | SCREW               | 1   |            | 0.190" X 5/16"  |
| 5   | AH90781  | FIELD WINDING COIL  | 1   |            |   |
| 6   | AH96244  | ARMATURE            | 1   |            |   |
| 7   | AH76195  | SHIELD              | 1   |            |   |
| 8   | H95481   | WASHER              | 1   | -400280    | (SUB 24H1577)   |
|     | 24H1577  | WASHER              | 1   |            | 1-25/32" X 2-7/8" X 0.036", (PLASTIC)   |
| 9   | AR21837  | CLAMP               | 1   |            | HOSE  |
| 10  | AH87927  | CABLE               | 1   | -500000    | MODULE  |
| 11  | .....    | WIRE                | 1   | -500000    | 318 MM (12-1/2") LONG (MAKE FROM R66319 AND (2) R32018 IN AR84006 WIRING KIT) |
| 12  | .....    | SCREW               | 1   | -500000    |   |
|     | 12H321   | WASHER              | 1   | -500000    | 0.138"  |
| 13A | AH87926  | CARBON BRUSH HOLDER | 1   | -500000    | (SUB AH109495)  |
| 13B | AH109495 | CARBON BRUSH HOLDER | 1   |            |   |
| 14  | 14H812   | NUT                 | 6   |            | 3/8"  |
|     | 12H304   | LOCK WASHER         | 6   |            | 3/8"  |
| 15  | 19H1930  | CAP SCREW           | 4   |            | 1/2" X 2-1/2"   |
|     | 14H826   | NUT                 | 4   |            | 1/2"  |
| 16  | H77698   | TIE BAND            | 1   |            |   |

# 1F3

ELECTRICAL

HP1580 -UN-01JAN94

## ACCUMULATOR PRESSURE GAUGE



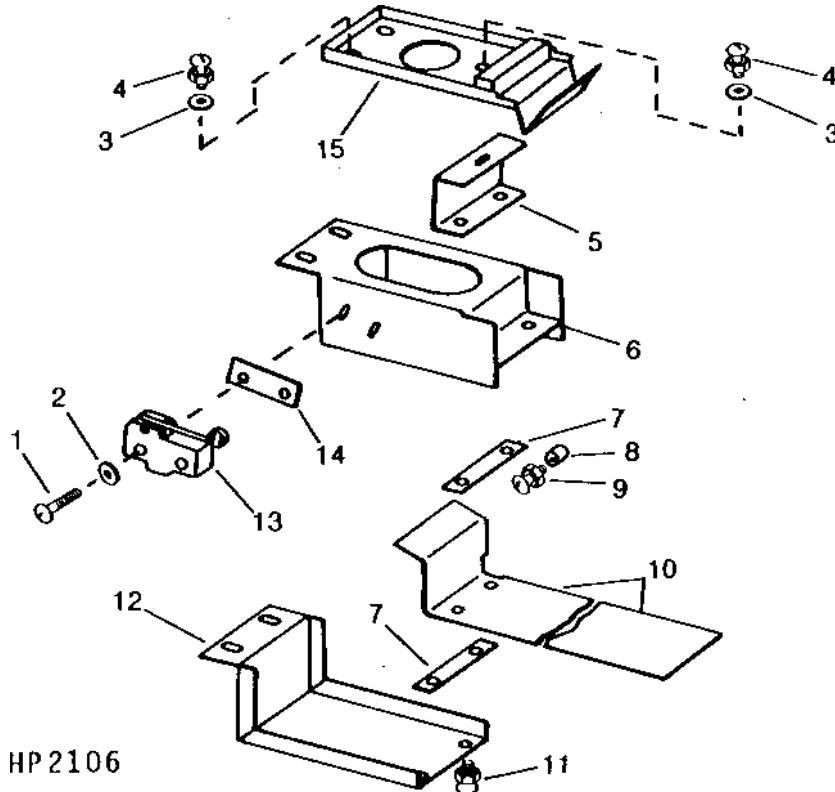
| KEY | PART NO. | PART NAME      | QTY | SERIAL NO. | REMARKS               |
|-----|----------|----------------|-----|------------|-----------------------|
| 1   | AH109610 | SOCKET         | 1   |            |                       |
| 2   | H111378  | COVER          | 1   |            |                       |
| 3   | AH108380 | BULB           | 1   |            |                       |
| 4   | AH108080 | PRESSURE GAUGE | 1   |            |                       |
| 5   | AB18206  | ADAPTER        | 1   |            | (WITH JAM NUT)        |
| 6   | H109332  | BRACKET        | 1   |            |                       |
| 7   | .....    | RIVET          | 4   |            | 5/32" X 13/32"        |
| 8   | H109334  | PLATE          | 1   |            |                       |
| 9   | AH108024 | HOSE           | 1   |            |                       |
| 10  | M60871   | TIE BAND       | 1   | -600000    | (BLACK) (SUB R44302)  |
|     | R44302   | TIE BAND       | 1   |            |                       |
| 11  | H77358   | CLIP           | 1   |            |                       |
| 12  | 24H1287  | WASHER         | 1   |            | 9/32" X 5/8" X 0.065" |
| 13  | 19H2205  | CAP SCREW      | 1   | -500000    |                       |
|     | H99282   | CAP SCREW      | 1   | 500001-    |                       |
| 14  | AR67855  | CONNECTOR      | 1   |            |                       |
| 15  | N119177  | GROMMET        | 1   |            |                       |
| 16  | H78354   | SCREW          | 2   | -500000    |                       |
|     | H89266   | SCREW          | 2   | 500001-    |                       |
| 17  | H77698   | TIE BAND       | 6   |            |                       |
| 18  | AR26635  | ELBOW FITTING  | 1   |            |                       |

# 1F4

ELECTRICAL

HP2106 -UN-01JAN94

## STRAW WALKER PLUGGING SENSING UNIT



HP2106

| KEY | PART NO. | PART NAME | QTY | SERIAL NO. | REMARKS                 |
|-----|----------|-----------|-----|------------|-------------------------|
| 1   | 21H1184  | SCREW     | 2   |            | 0.138" X 1-1/8"         |
|     | 14H1026  | NUT       | 2   | -600000    | 0.138"                  |
| 2   | 24H1281  | WASHER    | 2   |            | 5/32" X 3/8" X 0.049"   |
| 3   | 24H1287  | WASHER    | 3   |            | 9/32" X 5/8" X 0.065"   |
| 4   | 21H1024  | SCREW     | 3   | -600000    | 1/4" X 5/8"             |
|     | 21H1044  | SCREW     | 3   | 600001-    | 1/4" X 1-1/4"           |
|     | 14H786   | NUT       | 3   |            | 1/4"                    |
| 5   | H62447   | BRACKET   | 1   |            |                         |
| 6   | H94856   | BRACKET   | 1   |            |                         |
| 7   | H62443   | STRAP     | 2   |            |                         |
| 8   | 28H1611  | WASHER    | 1   |            | 0.269" X 0.405" X 5/16" |
| 9   | 21H1302  | SCREW     | 1   |            | 1/4" X 5/8"             |
|     | 14H786   | NUT       | 1   |            | 1/4"                    |
| 10  | H62444   | LEVER     | 1   |            |                         |
| 11  | 21H1197  | SCREW     | 2   | -600000    | 0.190" X 1-1/4"         |
|     | 14H778   | NUT       | 4   | -600000    | 0.190"                  |
|     | 19H3358  | CAP SCREW | 2   | 600001-    | 0.190" X 1"             |
|     | U45916   | LOCK NUT  | 2   | 600001-    |                         |
| 12  | H62445   | COVER     | 1   |            |                         |
| 13  | AH62345  | SWITCH    | 1   |            |                         |
| 14  | E71183   | STRAP     | 1   | 600001-    | SPECIAL                 |
| 15  | AH112548 | SHIELD    | 1   | 600001-    |                         |

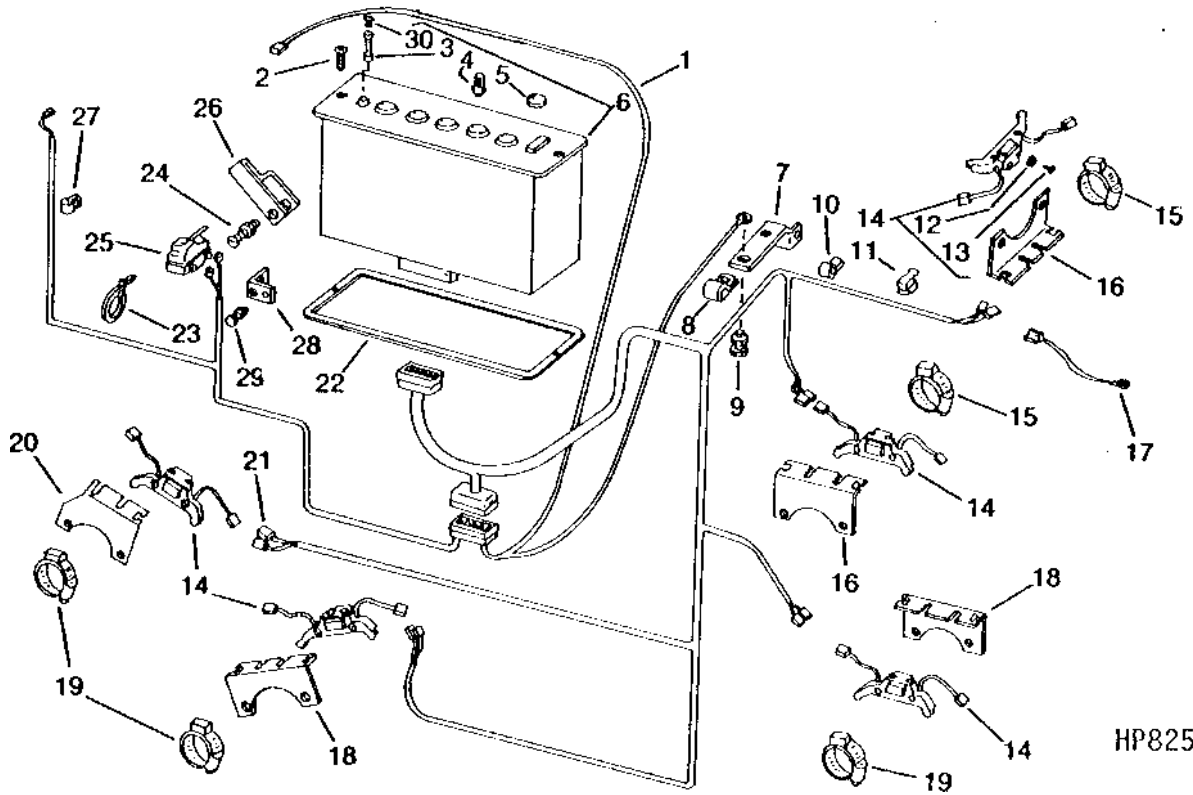
# 1F5

ELECTRICAL

HP825

-UN-01JAN94

## LOW SHAFT SPEED INDICATOR



HP825

| KEY | PART NO. | PART NAME      | QTY | SERIAL NO. | REMARKS  |
|-----|----------|----------------|-----|------------|--|
| 1   | AH96224  | WIRING HARNESS | 1   |            | (WARNING SYSTEM) (USE WITH AH94189)                      |
| 2   | H65108   | SCREW          | 2   |            | SELF-TAPPING   |
| 3   | B32206   | FUSE           | 1   |            | (USE WITH AH94189) (5 PER BOX)                           |
| 4   | B32205   | BULB           | 5   |            |  |
| 5   | B32207   | BEZEL          | 5   |            |  |
| 6   | AH94189  | GAUGE          | 1   |            | (REMANUFACTURED)   |
| 7   | H80185   | BRACKET        | 1   |            | (PULSE PICKUP WIRING HARNESS)                            |
| 8   | H26065   | CLIP           | 1   |            |  |
| 9   | 19H1948  | CAP SCREW      | 3   |            | 1/4" X 3/4"  |
|     | 14H786   | NUT            | 3   |            | 1/4"   |
| 10  | T32231   | CLAMP          | 9   |            | INSULATED (STRAW CHOPPER WIRING HARNESS)                 |
| 11  | H64612   | CLIP           | 2   |            |  |
| 12  | 12H290   | WASHER         | AR  |            | 0.164", (8 USED, REGULAR; 10 USED, STRAW CHOPPER)        |
| 13  | 21H1299  | SCREW          | AR  |            | 0.164" X 3/8", (8 USED, REGULAR; 10 USED, STRAW CHOPPER) |
| 14  | AH83759  | REED SWITCH    | AR  |            | (4 USED, REGULAR; 5 USED, STRAW CHOPPER)                 |

# 1F6

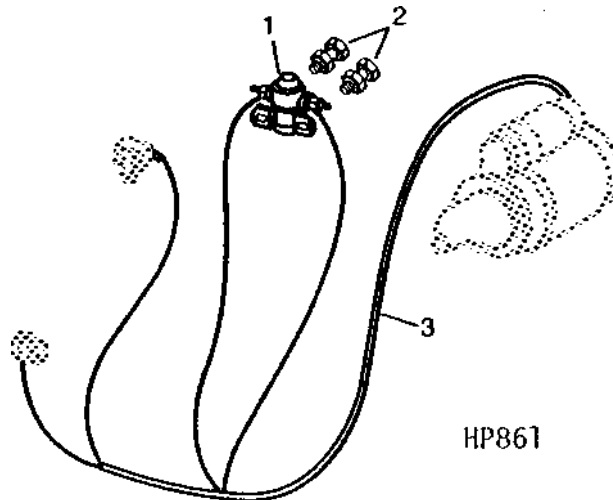
ELECTRICAL

## LOW SHAFT SPEED INDICATOR - CONTINUED

| KEY | PART NO. | PART NAME      | QTY | SERIAL NO. | REMARKS  |
|-----|----------|----------------|-----|------------|--|
| 15  | AH91336  | CLAMP          | 1   |            |  |
|     | AH91817  | CLAMP          | AR  |            | (1 USED, REGULAR; 2 USED, STRAW CHOPPER)                               |
| 16  | H100541  | BRACKET        | 1   |            | (STRAW WALKER)   |
|     | H100540  | BRACKET        | 1   |            | (STRAW CHOPPER) (MACHINES EQUIPPED WITH NEW STRAW CHOPPER USE H100539) |
|     | H100539  | BRACKET        | 1   |            | (NEW STRAW CHOPPER)  |
| 17  | AH83763  | WIRING HARNESS | 1   |            |  |
| 18  | H100541  | BRACKET        | 2   |            | (CLEAN GRAIN ELEVATOR AND CONVEYOR AUGER)                              |
| 19  | AH91336  | CLAMP          | 3   |            |  |
| 20  | H83617   | BRACKET        | 1   | -500022    | (SUB H113058)  |
|     | H113058  | BRACKET        | 1   |            |  |
| 21  | AH80881  | WIRING HARNESS | 1   |            | (WARNING SYSTEM)   |
| 22  | H80181   | SEAL           | 1   |            | (CONTROL BOX COVER)  |
| 23  | M66044   | TIE BAND       | 4   |            |  |
| 24  | 21H1014  | SCREW          | 1   |            | 1/4" X 1"  |
|     | 14H786   | NUT            | 1   |            | 1/4"   |
| 25  | AH78158  | SWITCH         | 1   |            | (SEPARATOR LEVER)  |
| 26  | H80180   | ACTUATOR       | 1   |            | (SEPARATOR LEVER)  |
| 27  | AH11015  | CLIP           | 3   |            |  |
| 28  | H80179   | BRACKET        | 1   |            |  |
| 29  | 19H1948  | CAP SCREW      | 1   |            | 1/4" X 3/4"  |
|     | 14H786   | NUT            | 1   |            | 1/4"   |
| 30  | AM3208T  | FUSE HOLDER    | 1   |            |  |

### ENGINE WIRING HARNESS

HP861 -UN-01JAN94



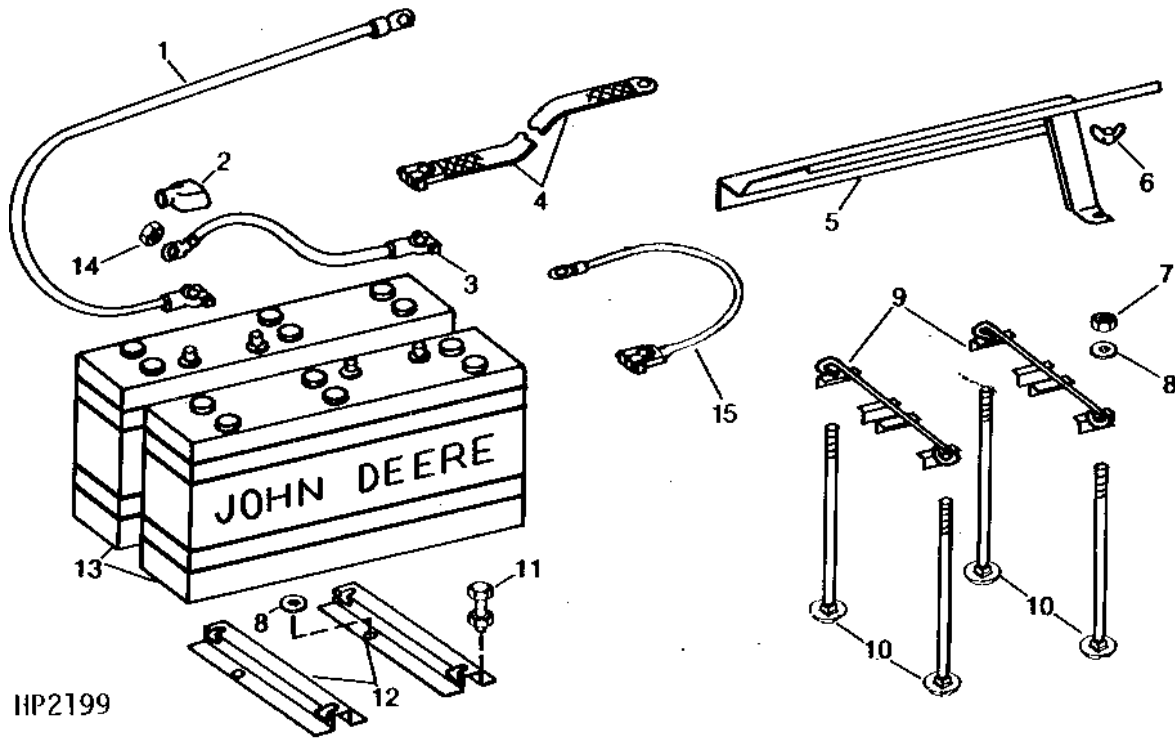
| KEY | PART NO. | PART NAME      | QTY | SERIAL NO.  | REMARKS |
|-----|----------|----------------|-----|-------------|---------|
| 1   | AM53945  | SOLENOID       | 1   |             |         |
|     | 14H785   | NUT            | 2   | 5/16"       |         |
|     | 12H303   | LOCK WASHER    | 2   | 5/16"       |         |
|     | 14H631   | NUT            | 1   | 0.190"      |         |
|     | 12H246   | LOCK WASHER    | 1   | 0.190"      |         |
| 2   | 19H1227  | CAP SCREW      | 2   | 1/4" X 1/2" |         |
|     | 12H302   | LOCK WASHER    | 2   | 1/4"        |         |
|     | 14H786   | NUT            | 2   | 1/4"        |         |
| 3   | AH79157  | WIRING HARNESS | 1   |             |         |

# 1F7

ELECTRICAL

## BATTERY, BRACKETS, CABLES, AND SHIELDS (SERIAL NO. -600000)

HP2199 -UN-01JAN94



HP2199

| KEY | PART NO. | PART NAME    | QTY | SERIAL NO.               | REMARKS                |
|-----|----------|--------------|-----|--------------------------|------------------------|
| 1   | AH76184  | CABLE        | 1   |                          |                        |
| 2   | H82711   | BOOT         | 2   |                          |                        |
| 3   | T22107   | CABLE        | 1   |                          | (L.H. TO R.H. BATTERY) |
| 4   | AH78649  | GROUND CABLE | 1   |                          |                        |
| 5   | AH78105  | SHIELD       | 1   |                          |                        |
| 6   | 14H819   | WING NUT     | 4   | 5/16"                    |                        |
| 7   | 14H611   | NUT          | 4   | 5/16"                    |                        |
| 8   | 24H1136  | WASHER       | 6   | 11/32" X 11/16" X 0.065" |                        |
| 9   | AH78100  | BRACKET      | 2   |                          |                        |
| 10  | 03H2249  | BOLT         | 4   | 5/16" X 10"              |                        |
| 11  | 19H1900  | CAP SCREW    | 4   | 5/16" X 3/4"             |                        |
|     | 12H303   | LOCK WASHER  | 4   | 5/16"                    |                        |
|     | 14H785   | NUT          | 4   | 5/16"                    |                        |
| 12  | H83330   | SUPPORT      | 2   |                          |                        |
| 13  | AR46115  | BATTERY      | 2   |                          |                        |
| 14  | 14H785   | NUT          | 1   | 5/16"                    |                        |
| 15  | AH100117 | CABLE        | 1   |                          |                        |



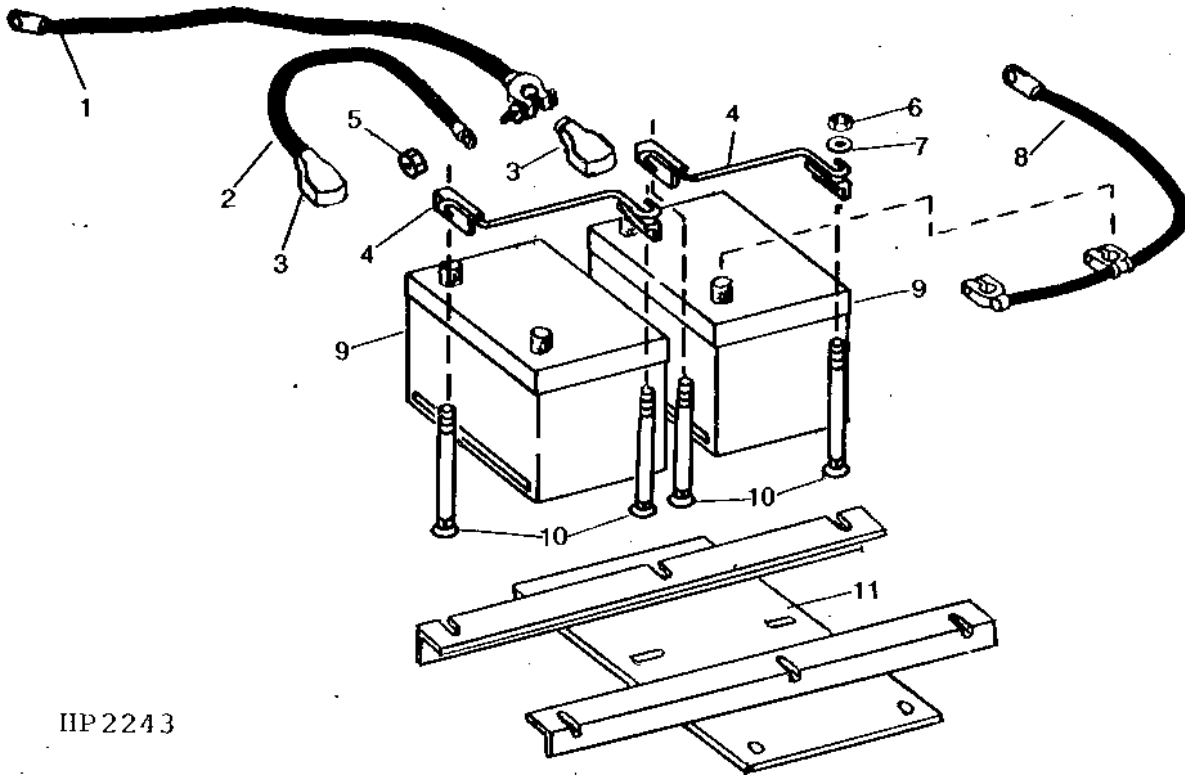
# 1F8

ELECTRICAL

## BATTERY, BRACKETS AND CABLES (SERIAL NO. 600001- )

HP2243

-UN-01JAN94



HP 2243

| KEY | PART NO. | PART NAME | QTY | SERIAL NO.               | REMARKS |
|-----|----------|-----------|-----|--------------------------|---------|
| 1   | AH76184  | CABLE     | 1   |                          |         |
| 2   | T22107   | CABLE     | 1   |                          |         |
| 3   | H82711   | BOOT      | 2   |                          |         |
| 4   | AH105519 | BRACKET   | 2   |                          |         |
| 5   | 14H785   | NUT       | 1   | 5/16"                    |         |
| 6   | 14H611   | NUT       | 4   | 5/16"                    |         |
| 7   | 24H1136  | WASHER    | 4   | 11/32" X 11/16" X 0.065" |         |
| 8   | AH112385 | CABLE     | 1   |                          |         |
| 9   | AH114771 | BATTERY   | 2   |                          |         |
| 10  | 03H2298  | BOLT      | 4   | 5/16" X 9-1/2"           |         |
| 11  | AH115404 | SUPPORT   | 1   |                          |         |

---

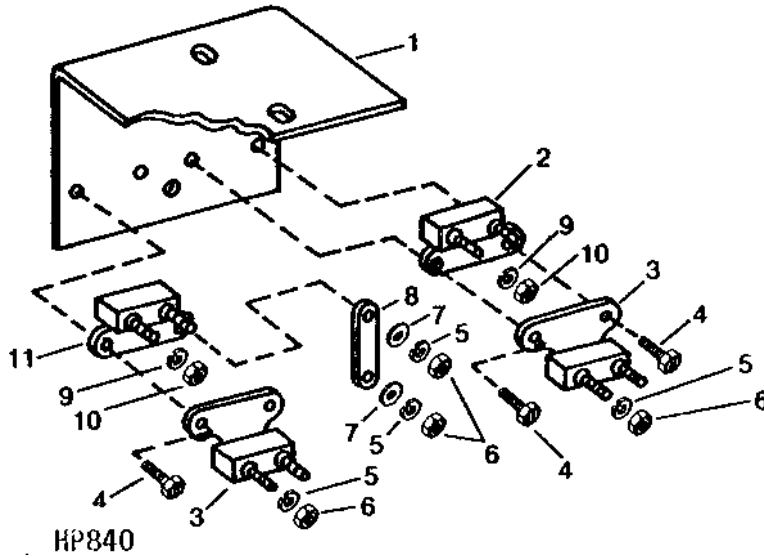
MEMORANDA

# 1F9

ELECTRICAL

HP840 -UN-01JAN94

## CIRCUIT BREAKERS AND BRACKET



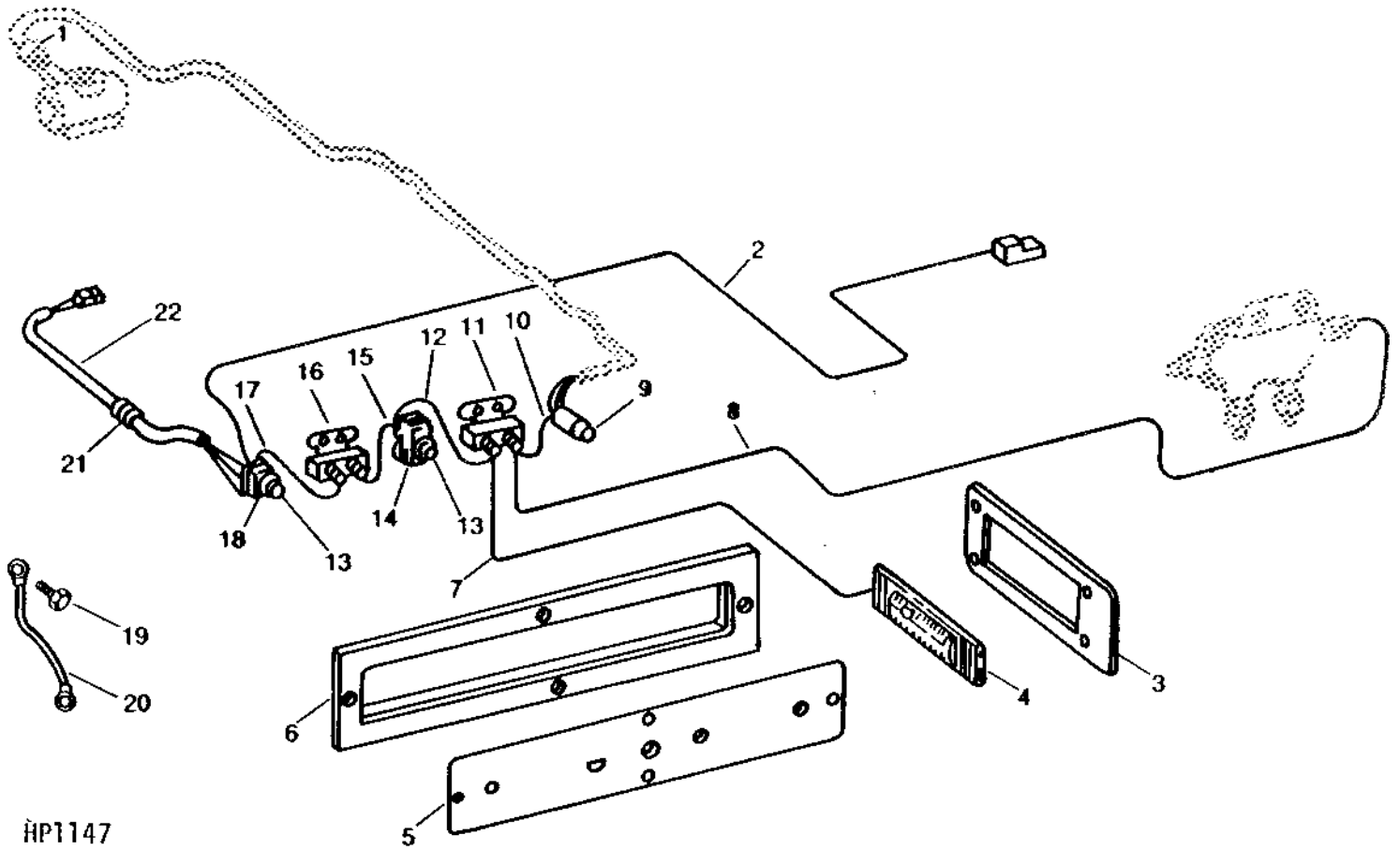
| KEY | PART NO. | PART NAME       | QTY | SERIAL NO.                       | REMARKS                              |
|-----|----------|-----------------|-----|----------------------------------|--------------------------------------|
| 1   | H89713   | BRACKET         | 1   | (A)                              |                                      |
| 2   | AR55649  | CIRCUIT BREAKER | 1   | (A) 10 AMP                       |                                      |
| 3   | AR49352  | CIRCUIT BREAKER | 2   | 30 AMP                           |                                      |
| 4   | 37H49    | SCREW           | 3   | (A) NO. 10 X 1/2" (SELF-TAPPING) |                                      |
| 5   | 12H246   | LOCK WASHER     | 4   | 0.190"                           |                                      |
| 6   | 14H631   | NUT             | 4   | 0.190"                           |                                      |
| 7   | 24H1283  | WASHER          | 2   | (A) 7/32" X 1/2" X 0.049"        |                                      |
| 8   | H89712   | STRAP           | 1   | (A)                              |                                      |
| 9   | 12H246   | LOCK WASHER     | 4   | (A) 0.190"                       |                                      |
| 10  | 14H631   | NUT             | 4   | (A) 0.190"                       |                                      |
| 11  | AR28403  | CIRCUIT BREAKER | 1   | (A) 20 AMP                       |                                      |
| ..  | AH90875  | KIT             | 1   |                                  | CIRCUIT BREAKER, MAIN WIRING HARNESS |

# 1F10

ELECTRICAL

HP1147 -UN-01JAN94

## OPERATOR'S CAB ELECTRICAL WIRING AND SWITCHES



# 1F11

ELECTRICAL

## OPERATOR'S CAB ELECTRICAL WIRING AND SWITCHES - CONTINUED

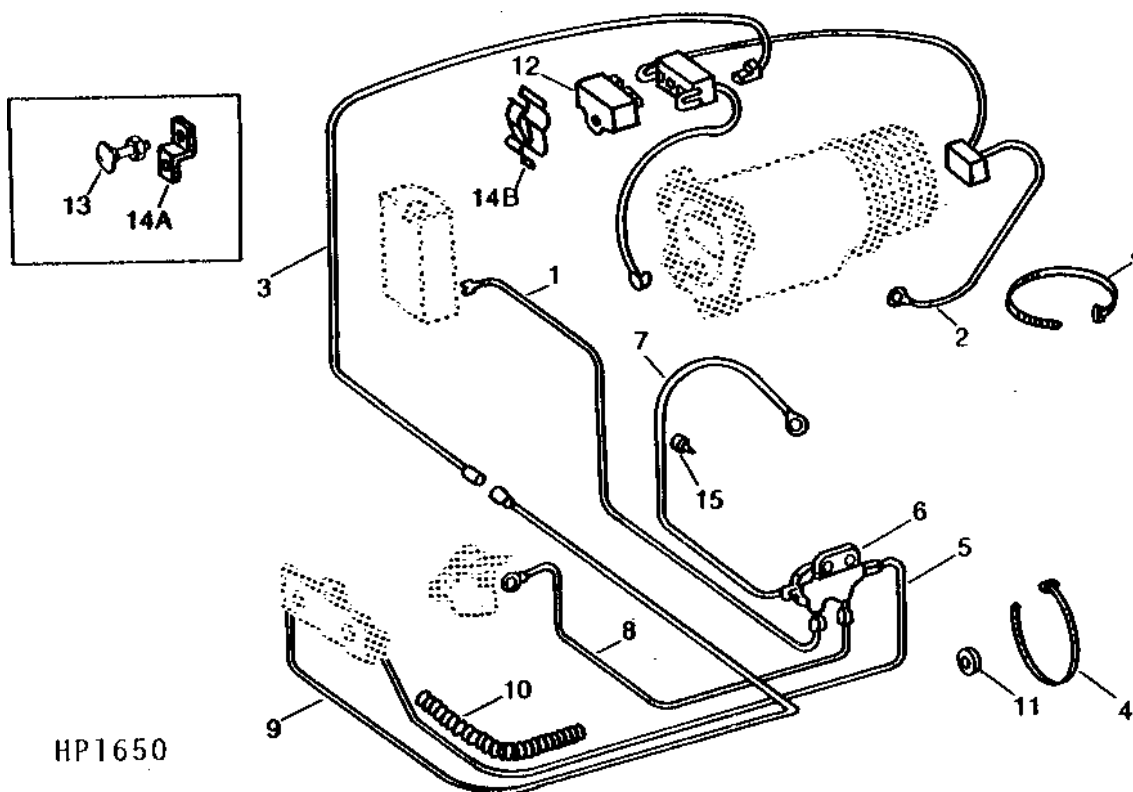
| KEY | PART NO.           | PART NAME                | QTY    | SERIAL NO. | REMARKS  |
|-----|--------------------|--------------------------|--------|------------|--|
| 1   | L1863N             | GROMMET                  | 1      |            | (WIPER)  |
| 2   | .....              | WIRING LEAD              | 1      | -610100    | 2845 MM (112") LONG (MAKE FROM R66319, (2) U46662, AND T28583 IN AR84006 WIRE REPAIR KIT) (AIR CONDITIONER AND HEATER)         |
| 3   | AH117228<br>H84109 | WIRING HARNESS<br>GASKET | 1<br>1 | 610101-    |  |
| 4   | AH80210            | LAMP                     | 1      |            | DOME   |
| 5   | H97813             | PANEL                    | 1      |            | SWITCH   |
| 6   | H85835             | HOUSING                  | 1      |            | PLATE, SWITCH  |
| 7   | .....              | WIRING LEAD              | 1      |            | 711 MM (28") LONG (MAKE FROM R66319, R32018, AND T28585 IN AR84006 WIRE REPAIR KIT) (AIR CONDITIONER, PRESSURIZER, AND HEATER) |
| 8   | .....              | WIRING LEAD              | 1      |            | 2591 MM (102") LONG (MAKE FROM R66319, AND (2) R32019 IN AR84006 WIRE REPAIR KIT) (AIR CONDITIONER, PRESSURIZER, AND HEATER)   |
| 9   | AT38296            | SWITCH                   | 1      |            | WIPER, WITH KNOB   |
|     | T44545             | KNOB                     | 1      |            | WIPER SWITCH   |
| 10  | .....              | WIRING LEAD              | 1      |            | 127 MM (5") LONG (MAKE FROM R66319, R32018, AND U46662 IN AR84006 WIRE REPAIR KIT) (AIR CONDITIONER AND HEATER)                |
| 11  | AR49352            | CIRCUIT BREAKER          | 1      |            | 30 AMP   |
| 12  | .....              | WIRING LEAD              | 1      |            | 229 MM (9") LONG (MAKE FROM R66319, R32018, AND U46662 IN AR84006 WIRE REPAIR KIT) (AIR CONDITIONER, PRESSURIZER, AND HEATER)  |
| 13  | AH80168            | KNOB                     | 1      |            | (PRESSURIZER AND AIR CONDITIONER)  |
| 14  | AH84588            | SWITCH                   | 1      |            | PRESSURIZER  |
|     | R44165             | LOCK NUT                 | 1      |            |  |
| 15  | .....              | WIRING LEAD              | 1      |            | 127 MM (5") LONG (MAKE FROM R66319, R32018, AND U46662 IN AR84006 WIRE REPAIR KIT) (AIR CONDITIONER AND HEATER)                |
| 16  | AH96309            | CIRCUIT BREAKER          | 1      |            | 6 AMP  |
| 17  | .....              | WIRING LEAD              | 1      |            | 229 MM (9") LONG (MAKE FROM R66319, R32018, AND U46662 IN AR84006 WIRE REPAIR KIT) (AIR CONDITIONER AND HEATER)                |
| 18  | AH80197            | SWITCH                   | 1      |            | THERMOSTAT (AIR CONDITIONER)   |
|     | R44165             | LOCK NUT                 | 1      |            | (AIR CONDITIONER)  |
| 19  | 21H1299            | SCREW                    | 1      |            | 0.164" X 3/8"  |
| 20  | .....              | WIRE                     | 1      |            | 203 MM (8") LONG (MAKE FROM R66321, R32019, AND R32022 IN AR84006 WIRE REPAIR KIT) (USED TO GROUND OPERATOR'S CAB)             |
| 21  | H81679             | GROMMET                  | 1      |            |  |
| 22  | AH80182            | WIRING HARNESS           | 1      |            |  |

# 1F12

ELECTRICAL

## OPERATOR'S CAB AND AIR CONDITIONING WIRING ON ENGINE (SERIAL NO. -610100)

HP1650 -UN-01JAN94



| KEY | PART NO. | PART NAME      | QTY | SERIAL NO. | REMARKS   |
|-----|----------|----------------|-----|------------|---|
| 1   | AH79303  | WIRING LEAD    | 1   |            |   |
| 2   | AR77345  | WIRING HARNESS | 1   |            |   |
| 3   | AH92362  | WIRING LEAD    | 1   |            | (AIR CONDITIONER)                                     |
| 4   | M66044   | TIE BAND       | 6   |            | (AIR CONDITIONER)                                     |
| 5   | AH80340  | WIRE           | 1   |            |   |
| 6   | AH98337  | RELAY          | 1   |            |   |
| 7   | AH79302  | WIRING LEAD    | 1   |            |   |
| 8   | AH79304  | WIRING LEAD    | 1   |            |   |
| 9   | AH88883  | WIRING LEAD    | 1   |            | (AIR CONDITIONER)                                     |
| 10  | .....    | CONDUIT        | 1   |            | 305 MM (12") LONG (AIR CONDITIONER) (CUT FROM H88857) |
| 11  | H83060   | GROMMET        | 1   |            |   |
| 12  | AR77344  | FUSE           | 1   |            |   |
| 13  | 21H1295  | SCREW          | 1   | -550000    | 0.190" X 5/8"   |
|     | R32176   | NUT            | 1   | -550000    |   |
| 14A | H93362   | BRACKET        | 1   | -550000    | (SUB R77405)  |
| 14B | R77405   | CLIP           | 1   |            |   |
| 15  | H76478   | SCREW          | 2   |            |   |

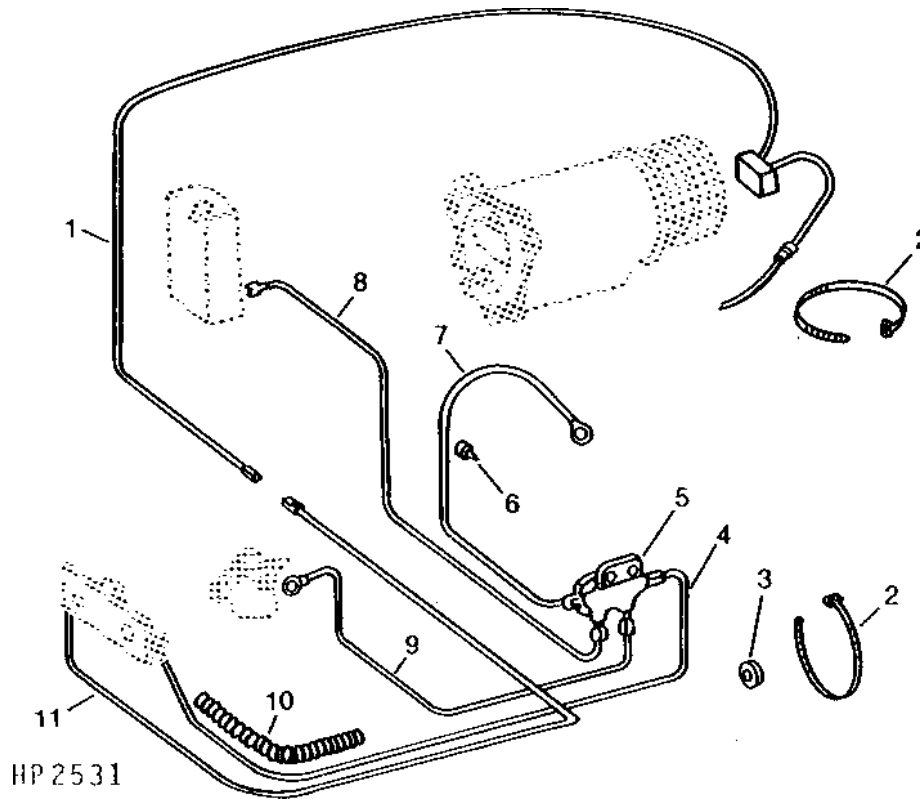
# 1F13

ELECTRICAL

## OPERATOR'S CAB AND AIR CONDITIONING WIRING ON ENGINE (SERIAL NO. 610101- )

HP2531

-UN-01JAN94



| KEY | PART NO. | PART NAME      | QTY | SERIAL NO. | REMARKS   |
|-----|----------|----------------|-----|------------|---|
| 1   | AH117229 | WIRING HARNESS | 1   |            | (AIR CONDITIONER)                                     |
| 2   | M66044   | TIE BAND       | 6   |            |   |
| 3   | H83060   | GROMMET        | 1   |            |   |
| 4   | AH80340  | WIRE           | 1   |            |   |
| 5   | AH98337  | RELAY          | 1   |            |   |
| 6   | H76478   | SCREW          | 2   |            |   |
| 7   | AH79302  | WIRING LEAD    | 1   |            |   |
| 8   | AH79303  | WIRING LEAD    | 1   |            |   |
| 9   | AH79304  | WIRING LEAD    | 1   |            |   |
| 10  | .....    | CONDUIT        | 1   |            | 305 MM (12") LONG (AIR CONDITIONER) (CUT FROM H88857) |
| 11  | AH88883  | WIRING LEAD    | 1   |            |   |

MEMORANDA



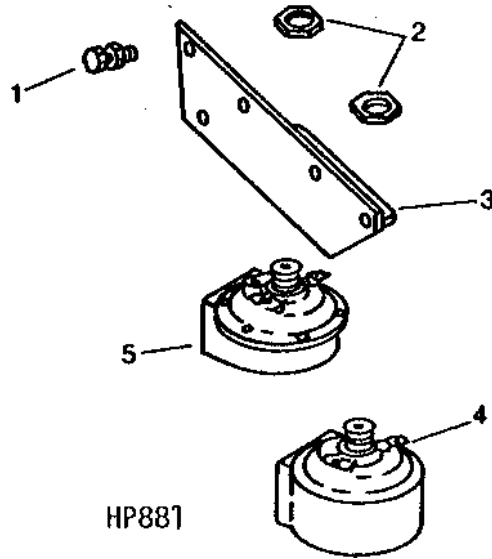
# 1F14

ELECTRICAL

HP881

-UN-01JAN94

## SIGNAL HORNS



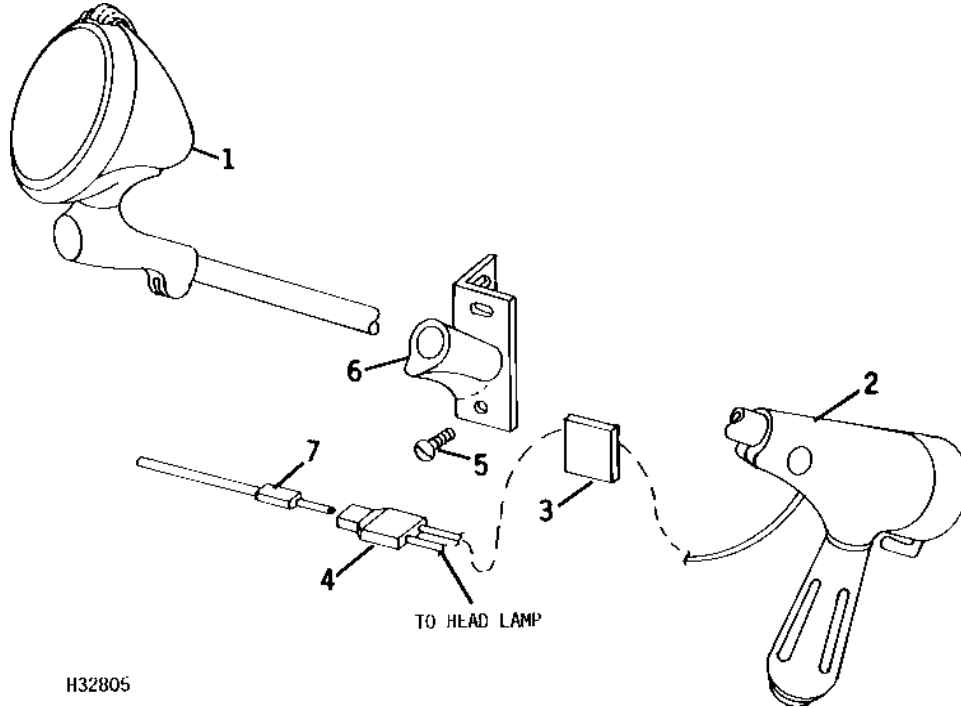
| KEY | PART NO. | PART NAME      | QTY | SERIAL NO. | REMARKS       |
|-----|----------|----------------|-----|------------|---------------|
| 1   | 19H1732  | CAP SCREW      | 1   |            | 3/8" X 1-1/4" |
|     | 14H812   | NUT            | 1   |            | 3/8"          |
| 2   | R11278   | NUT            | 2   |            |               |
| 3   | H81921   | BRACKET        | 1   |            |               |
| 4   | AT39043  | HIGH NOTE HORN | 1   |            | (LOW NOTE)    |
| 5   | R64700   | HIGH NOTE HORN | 1   |            | (HIGH NOTE)   |

# 1F15

ELECTRICAL

H32805 -UN-01JAN94

## SPOTLIGHT



H32805

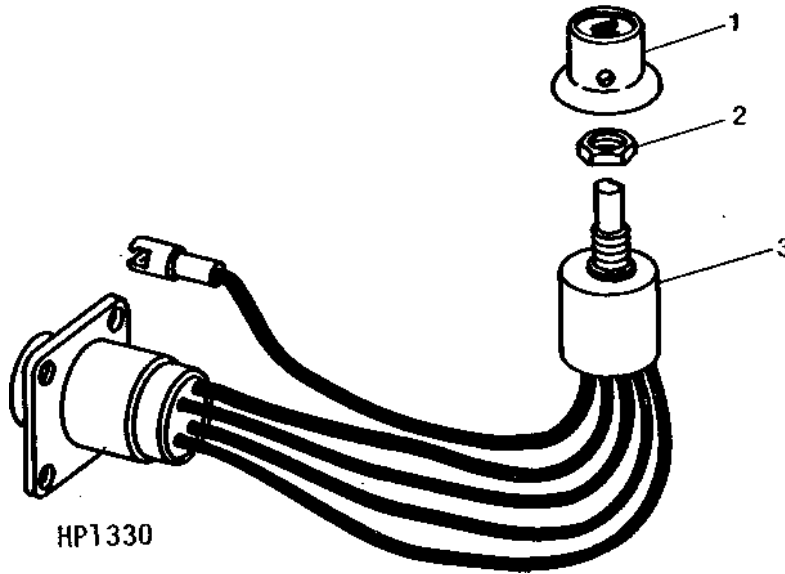
| KEY  | PART NO. | PART NAME   | QTY | SERIAL NO. | REMARKS   |
|--|----------|-------------|-----|------------|---|
| 1  | AH91124  | LAMP        | 1   |            |   |
|  | H91273   | CLIP        | 1   |            |   |
| 2  | AH91125  | HANDLE      | 1   |            |   |
| 3  | R47474   | CLIP        | 1   |            |   |
| 4  | AM531T   | CONNECTOR   | 1   |            |   |
| 5  | H91272   | SCREW       | 4   |            | (A) SPECIAL, NO. 10 X 5/8"  |
| 6  | AH91123  | BRACKET     | 1   |            | (A)   |
| 7  | .....    | WIRING LEAD | 1   |            | 76 MM (3") LONG (CONSISTS OF R66319 AND R32026 IN AR84006 WIRE KIT) |
| KIT LISTED BELOW CONSISTS OF ALL PARTS IDENTIFIED BY AN (A): |          |             |     |            |   |
| ..   | AH94512  | KIT         | 1   |            | SPOTLIGHT   |

# 1F16

ELECTRICAL

## DIAL-A-MATIC HEADER HEIGHT CONTROL SWITCH (SERIAL NO. 500001- )

HP1330 -UN-01JAN94



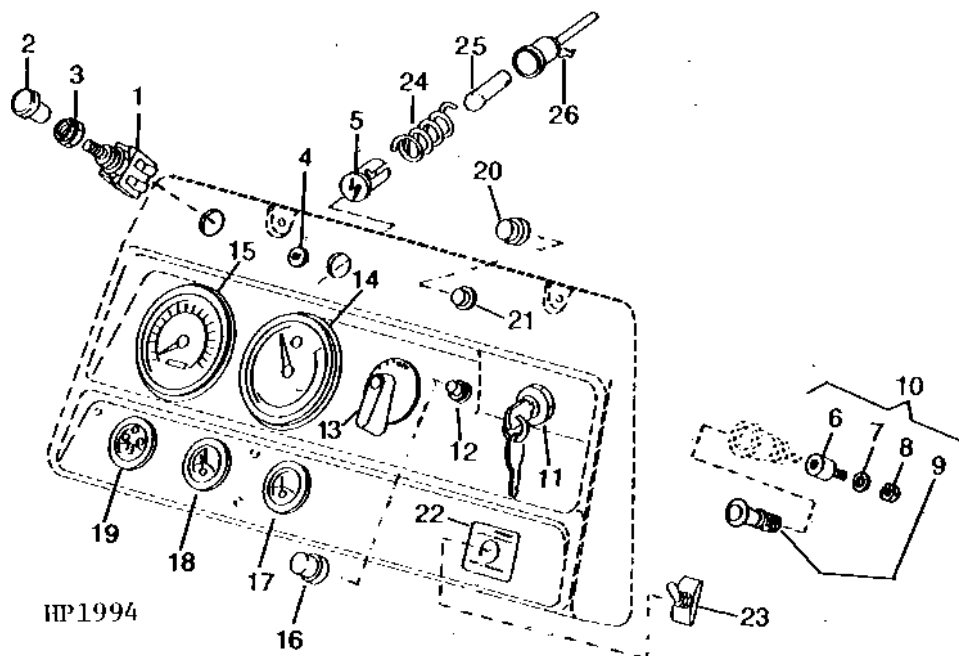
| KEY | PART NO. | PART NAME | QTY | SERIAL NO. | REMARKS |
|-----|----------|-----------|-----|------------|---------|
| 1   | AH104380 | KNOB      | 1   |            |         |
| 2   | H106246  | LOCK NUT  | 2   |            |         |
| 3   | AH108480 | SWITCH    | 1   |            |         |

# 1F17

ELECTRICAL

HP1994 -UN-01JAN94

## SWITCHES AND GAUGES ON INSTRUMENT PANEL



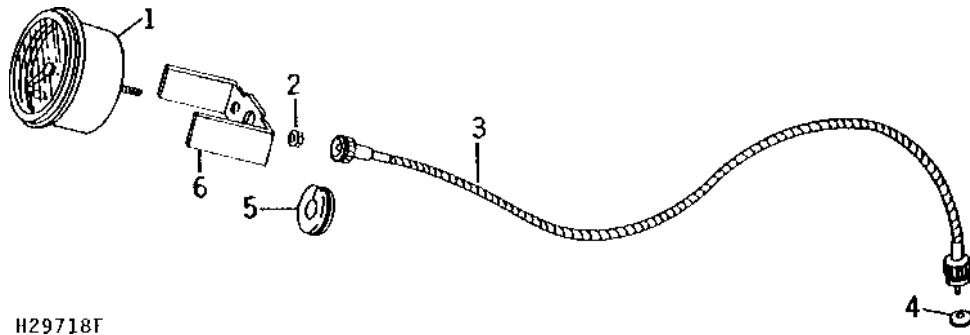
| KEY | PART NO. | PART NAME         | QTY | SERIAL NO. | REMARKS                                 |
|-----|----------|-------------------|-----|------------|---|
| 1   | AH85260  | SWITCH            | 1   |            | ELECTROMAGNETIC CLUTCH (PLATFORM DRIVE) |
| 2   | AH85259  | KNOB              | 1   |            | ELECTROMAGNETIC CLUTCH                  |
| 3   | M42561   | NUT               | 1   |            |   |
| 4   | AH78215  | LAMP              | 1   |            | PARKING BRAKE INDICATOR                 |
|     | AH61036  | LAMP              | 1   |            | RED FLASHER, 12-VOLT                    |
| 5   | AR45438  | LENS              | 1   | -400987    | (SUB AT48673)                           |
|     | AT48673  | LENS              | 1   |            | INDICATOR LAMP                          |
| 6   | AR30394  | CIRCUIT BREAKER   | 1   |            |   |
| 7   | 12H290   | WASHER            | 1   |            | 0.164"                                  |
| 8   | 14H605   | NUT               | 1   |            | 0.164"                                  |
| 9   | AR60937  | LIGHTER           | 1   |            | (SUB FOR AA5787R)                       |
| 10  | AR30053  | LIGHTER           | 1   | -450000    | (SUB AU41461)                           |
|     | AU41461  | LIGHTER           | 1   |            |   |
| 11  | AH83679  | SWITCH            | 1   |            | IGNITION AND STARTER, WITH KEYS         |
|     | AR51481  | KEY               | 1   |            | (SET OF 2)                              |
|     | R44342   | NUT               | 1   |            |   |
| 12  | AR21823  | SWITCH            | 1   |            | HORN                                    |
| 13  | AH76134  | SWITCH            | 1   |            | LIGHT                                   |
|     | 12H292   | LOCK WASHER       | 1   |            | 1/2"                                    |
|     | A4655R   | NUT               | 1   |            |   |
|     | AR54445  | KNOB              | 1   |            | LIGHT SWITCH                            |
|     | 12H315   | LOCK WASHER       | 1   |            | 0.164"                                  |
|     | 21H996   | SCREW             | 1   |            | 0.164" X 3/8"                           |
| 14  | .....    | HOUR METER        | 1   |            |   |
| 15  | .....    | TACHOMETER        | 1   |            |   |
| 16  | T55501   | CAP               | 1   |            |   |
| 17  | AR48640  | TEMPERATURE GAUGE | 1   |            | COOLANT TEMPERATURE                     |
| 18  | AH76107  | PRESSURE GAUGE    | 1   | -550000    | (SUB AH113715)                          |
|     | AH113715 | GAUGE             | 1   |            | OIL PRESSURE                            |
| 19  | 14H631   | NUT               | 1   |            | 0.190"                                  |
|     | AR45436  | GAUGE             | 1   |            | FUEL                                    |
| 20  | T55585   | CAP               | 1   |            |   |
| 21  | AR21823  | SWITCH            | 1   |            | ETHER STARTING AID                      |
| 22  | H88317   | PLATE             | 1   | -500000    | (AUTOMATIC HEADER HEIGHT CONTROL)       |
| 23  | AH87806  | SWITCH            | 1   | -500000    | (AUTOMATIC HEADER HEIGHT CONTROL)       |
|     | H91792   | PLUG              | 1   | 500001-    | (DIAL-A-MATIC HEADER HEIGHT CONTROL)    |
| 24  | R30378   | SPRING            | 1   |            |   |
| 25  | AR55694  | BULB              | 1   |            |   |
| 26  | AT44165  | WIRING LEAD       | 1   |            |   |

# 1F18

ELECTRICAL

H29718F -UN-01JAN94

## ENGINE TACH-HOUR METER



H29718F

| KEY | PART NO. | PART NAME  | QTY | SERIAL NO. | REMARKS |
|-----|----------|------------|-----|------------|---------|
| 1   | AH91001  | HOUR METER | 1   |            |         |
| 2   | 14H631   | NUT        | 4   | 0.190"     |         |
| 3   | AR26721  | CABLE      | 1   |            |         |
| 4   | B3285R   | WASHER     | 1   |            |         |
| 5   | H80306   | GROMMET    | 1   |            |         |
| 6   | H97303   | BRACKET    | 1   |            |         |

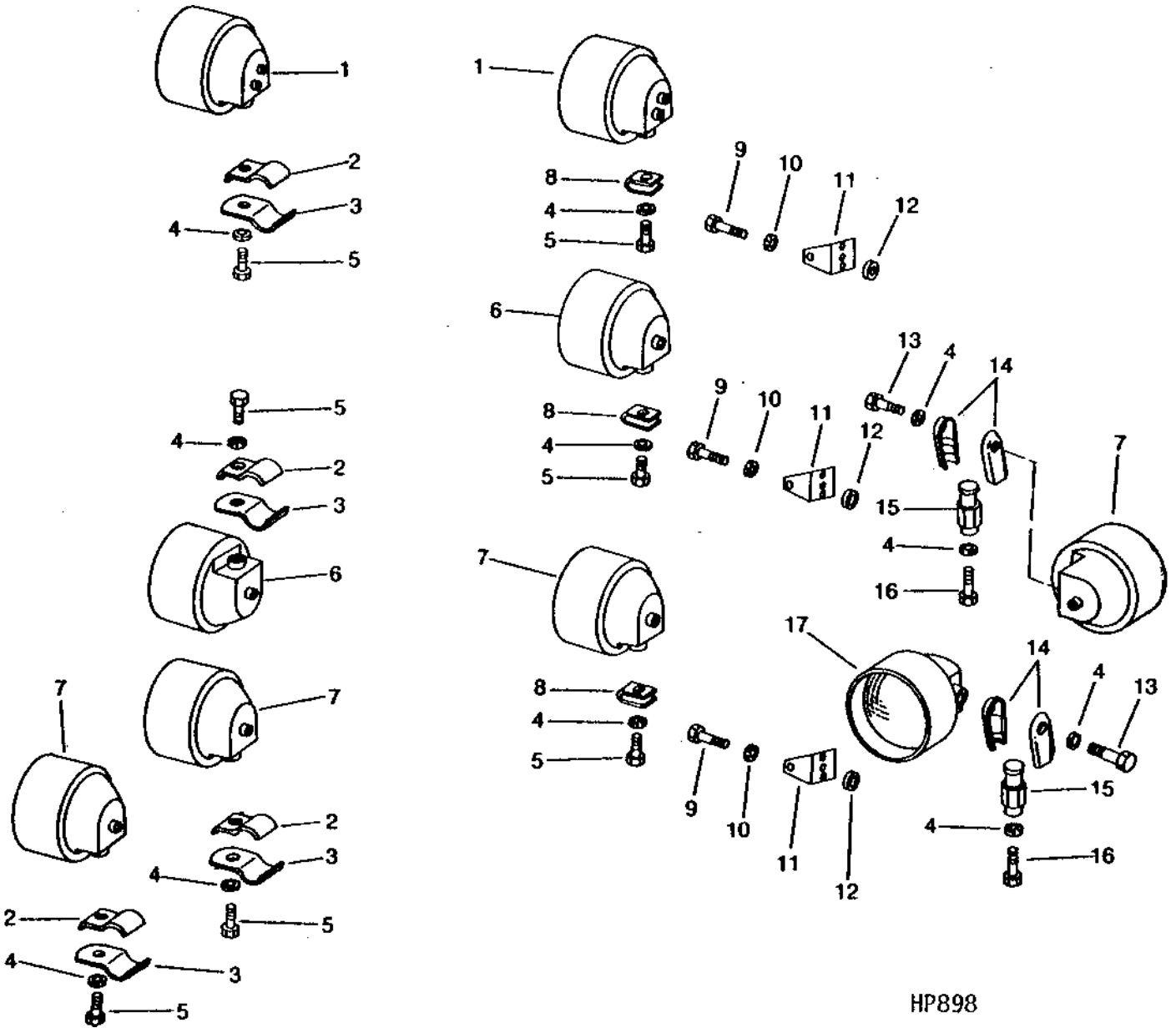
# 1F19

ELECTRICAL

HP898

-UN-01JAN94

FIELD LIGHTS



HP898

# 1F20

ELECTRICAL

## FIELD LIGHTS - CONTINUED

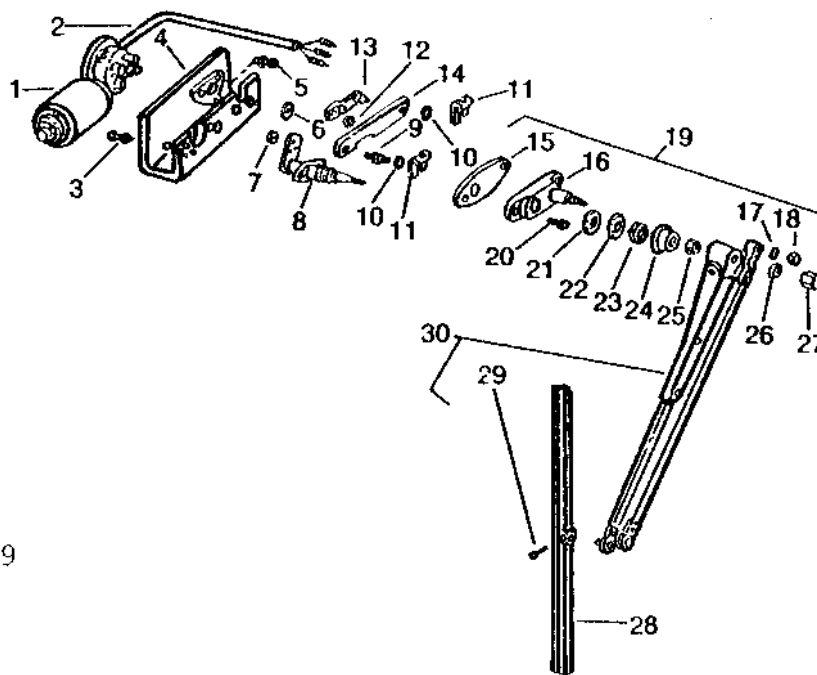
| KEY | PART NO. | PART NAME   | QTY | SERIAL NO. | REMARKS  |
|-----|----------|-------------|-----|------------|--|
| 1   | AH90899  | LAMP        | 2   |            | LEAD WIRE (CONSISTS OF R32026, R32016, AND 2007 MM (79") OF R66319, AVAILABLE IN AR84006 WIRING KIT) |
|     | AR48723  | LAMP        | 1   |            | (12-VOLT)  |
|     | R42689   | BEZEL       | 1   |            | (FOR HOBBS LAMP)   |
|     | R48293   | BEZEL       | 1   |            | (FOR GUIDE LAMP)   |
| 2   | H83790   | CLAMP       | AR  |            |  |
| 3   | H83791   | CLAMP       | AR  |            |  |
| 4   | 12H301   | LOCK WASHER | AR  |            | 1/2"   |
| 5   | 19H1831  | CAP SCREW   | AR  |            | 1/2" X 2"  |
| 6   | AH90897  | HEADLIGHT   | 2   |            |  |
|     | AE31263  | LAMP        | 1   |            | (12-VOLT)  |
|     | R42689   | BEZEL       | 1   |            | (FOR HOBBS LAMP)   |
|     | R48293   | BEZEL       | 1   |            | (FOR GUIDE LAMP)   |
| 7   | AH90898  | HEADLIGHT   | 4   |            |  |
|     | AM31282  | LAMP        | 1   |            | (12-VOLT)  |
|     | R42689   | BEZEL       | 1   |            | (FOR HOBBS LAMP)   |
|     | R48293   | BEZEL       | 1   |            | (FOR GUIDE LAMP)   |
| 8   | H86611   | CLEVIS      | 3   |            |  |
| 9   | 19H2020  | CAP SCREW   | AR  |            | 5/16" X 1/2"   |
| 10  | 12H303   | LOCK WASHER | AR  |            | 5/16"  |
| 11  | AH87704  | BRACKET     | 3   |            |  |
| 12  | H89842   | GROMMET     | 3   |            |  |
| 13  | 19H1930  | CAP SCREW   | 2   |            | 1/2" X 2-1/2"  |
| 14  | R27460   | CLAMP       | 4   |            |  |
| 15  | R54778   | NUT         | 2   |            |  |
| 16  | 19H1895  | CAP SCREW   | 2   |            | 1/2" X 3/4"  |
| 17  | AR42119  | FLOODLAMP   | 1   |            |  |
|     | AR42591  | HEADLIGHT   | 1   |            | (12-VOLT)  |
|     | R42689   | BEZEL       | 1   |            | (FOR HOBBS LAMP)   |
|     | R48293   | BEZEL       | 1   |            | (FOR GUIDE LAMP)   |
| ..  | 19H1721  | CAP SCREW   | 1   |            | 1/2" X 1-1/2", (USE WITH AH90897, R.H. LAMP)   |
| ..  | 14H1040  | NUT         | 1   |            | 1/2", (USE WITH AH90897, R.H. LAMP)  |
| ..  | H89720   | SUPPORT     | 1   |            | (USE WITH AH90897, R.H. LAMP)  |
| ..  | 12H301   | LOCK WASHER | 1   |            | 1/2", (USE WITH AH90897, R.H. LAMP)  |
| ..  | 19H1721  | CAP SCREW   | 1   |            | 1/2" X 1-1/2", (USE WITH AH90897, R.H. LAMP)   |

# 1F21

ELECTRICAL

HP1059 -UN-01JAN94

## WINDSHIELD WIPER AND BRACKET



HP1059

| KEY | PART NO. | PART NAME          | QTY | SERIAL NO. | REMARKS                      |
|-----|----------|--------------------|-----|------------|------------------------------|
| 1   | AR59444  | MOTOR              | 1   | -450350    | (SUB AH108712 AND AH108739)  |
|     | AH108739 | MOTOR              | 1   |            |                              |
| 2   | AH108712 | WIRING HARNESS     | 1   |            |                              |
| 3   | AU43855  | SCREW, WITH WASHER | 2   | -450000    | (A) (SUB 21H1298 AND 12H295) |
|     | 21H1298  | SCREW              | 2   |            | 0.190" X 3/8"                |
|     | 12H295   | LOCK WASHER        | 2   |            | 0.190"                       |
| 4   | U46515   | BRACKET            | 1   | (A)        |                              |
| 5   | AU43854  | SCREW, WITH WASHER | 3   | (A)        |                              |
| 6   | U46508   | WASHER             | 1   | (A)        | (SUB AH112301)               |
| 7   | 14H649   | NUT                | 1   | (A)        | 1/4"                         |
| 8   | AU43852  | SHAFT              | 1   | (A)        |                              |
| 9   | U46507   | PIN                | 1   | (A)        |                              |
| 10  | AT29862  | WASHER             | 2   | (A)        |                              |
| 11  | U46506   | CLIP               | 2   | (A)        |                              |
| 12  | AU43857  | LOCK NUT           | 1   | (A)        |                              |
| 13  | AR43856  | ARM                | 1   | (A)        |                              |
| 14  | AU43853  | LINK               | 1   | (A)        |                              |
| 15  | U46517   | GASKET             | 1   |            |                              |
| 16  | AR78596  | KIT                | 1   |            |                              |
| 17  | .....    | WASHER             | 1   |            |                              |
| 18  | .....    | NUT                | 1   |            |                              |
| 19  | AU42023  | PLATE              | 1   |            | ADAPTER                      |
| 20  | 19H3138  | CAP SCREW          | 2   |            | 1/4" X 5/8"                  |
| 21  | U46509   | WASHER             | 1   | (A)        |                              |
| 22  | U46510   | WASHER             | 1   | (A)        |                              |
| 23  | U46511   | NUT                | 1   | (A)        |                              |
| 24  | U46512   | CAP                | 1   | (A)        |                              |
| 25  | U46513   | NUT                | 1   | (A)        |                              |
| 26  | 12H291   | LOCK WASHER        | 1   | (A)        | 5/16"                        |
| 27  | R63671   | NUT                | 1   | (A)        |                              |
| 28  | AH96223  | BLADE              | 1   |            |                              |
| 29  | .....    | SCREW              | 1   |            |                              |
| 30  | AU42025  | WIPER ARM          | 1   |            |                              |
| ..  | AT58208  | MOTOR              | 1   | -450350    |                              |
| ..  | AT67339  | MOTOR              | 1   | 450351-    |                              |

KIT LISTED BELOW CONSISTS OF ALL PARTS IDENTIFIED BY AN (A):

|    |         |       |   |  |            |
|----|---------|-------|---|--|------------|
| .. | AT38297 | MOTOR | 1 |  | KIT, MOTOR |
|----|---------|-------|---|--|------------|

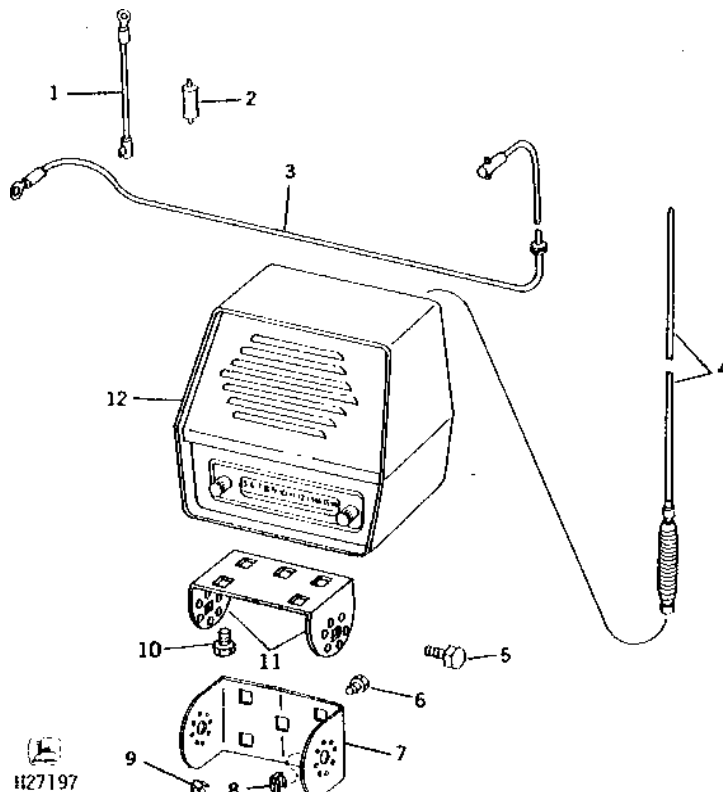


# 1F22

ELECTRICAL

H27197 -UN-01JAN94

## RADIO (NOT USED WITH OPERATOR'S CAB) (MOTOROLA)



| KEY | PART NO. | PART NAME   | QTY | SERIAL NO.       | REMARKS                         |
|-----|----------|-------------|-----|------------------|---------------------------------|
| 1   | AR41758  | CAPACITOR   | 1   |                  |                                 |
| 2   | R42799   | RESISTOR    | 1   | (A)              |                                 |
| 3   | AR41756  | WIRING LEAD | 1   | (A)              |                                 |
| 4   | AR46986  | ANTENNA     | 1   | (B)              |                                 |
| 5   | 19H1936  | CAP SCREW   | 2   | (A) 3/8" X 3/4"  |                                 |
| 6   | 19H1813  | CAP SCREW   | 4   | (A) 5/16" X 5/8" |                                 |
| 7   | R41880   | BRACKET     | 1   |                  |                                 |
| 8   | AR41950  | NUT         | 2   | (A)              |                                 |
| 9   | AR41951  | NUT         | 4   | (A)              |                                 |
| 10  | 19H1227  | CAP SCREW   | 4   | 1/4" X 1/2"      |                                 |
| 11  | R41880   | BRACKET     | 1   | (A)              |                                 |
| 12  | AR68361  | RADIO       | 1   | -500000          | (B) (SUB AR101245)              |
|     | AR101245 | RADIO       | 1   | -550000          | (SUB TY15155, THIS APPLICATION) |

KIT LISTED BELOW CONSISTS OF ALL PARTS IDENTIFIED BY AN (A):

|    |         |     |   |         |  |
|----|---------|-----|---|---------|--|
| .. | AR41754 | KIT | 1 | -550000 |  |
|----|---------|-----|---|---------|--|

ASSEMBLY LISTED BELOW CONSISTS OF ALL PARTS IDENTIFIED BY A (B):

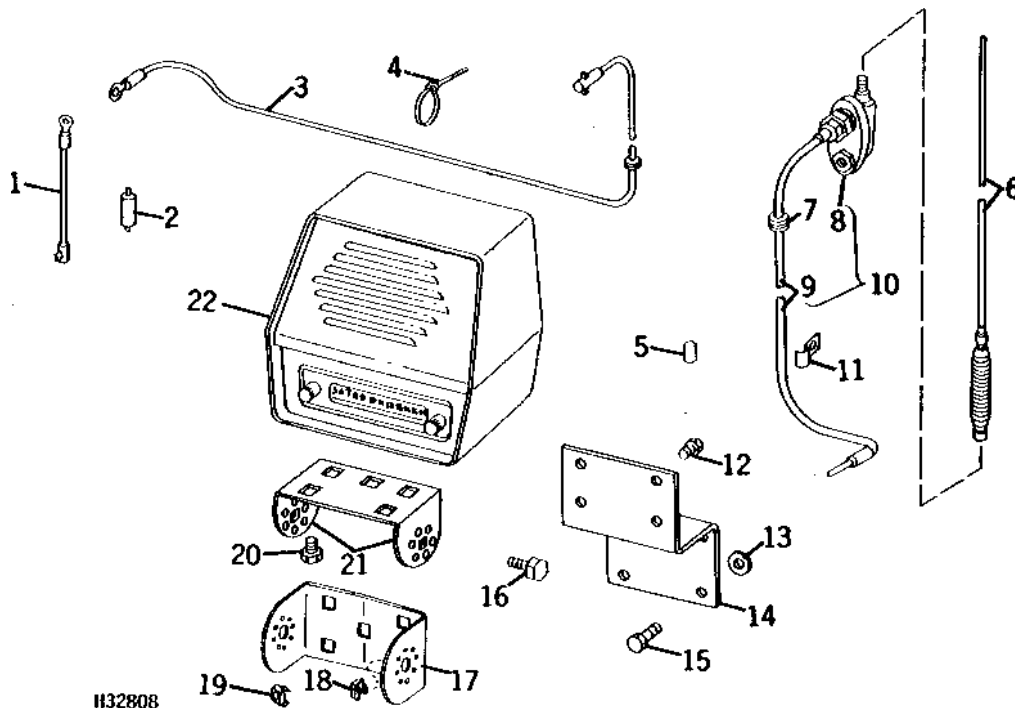
|    |         |       |   |         |  |
|----|---------|-------|---|---------|--|
| .. | AR71981 | RADIO | 1 | -550000 |  |
|----|---------|-------|---|---------|--|

# 1F23

ELECTRICAL

H32808 -UN-01JAN94

RADIO (USED WITH OPERATOR'S CAB) (MOTOROLA)



| KEY | PART NO. | PART NAME   | QTY | SERIAL NO. | REMARKS                         |
|-----|----------|-------------|-----|------------|---------------------------------|
| 1   | AR41758  | CAPACITOR   | 1   |            |                                 |
| 2   | R42799   | RESISTOR    | 1   |            | (C)                             |
| 3   | AR41756  | WIRING LEAD | 1   |            | (C)                             |
| 4   | M66044   | TIE BAND    | 1   |            | (B)                             |
| 5   | R45136   | PLUG        | 1   |            |                                 |
| 6   | AR46986  | ANTENNA     | 1   |            | (D)                             |
| 7   | R27583   | GROMMET     | 1   |            | (A)                             |
| 8   | AR46984  | BASE        | 1   |            | (A)                             |
| 9   | AR46985  | WIRING LEAD | 1   |            | (A)                             |
| 10  | AR45014  | COUPLING    | 1   |            | (A) (SUB AR46984)               |
| 11  | T19935   | CLAMP       | 1   |            | (B)                             |
| 12  | 19H1813  | CAP SCREW   | 4   |            | (C) 5/16" X 5/8"                |
| 13  | 24H1294  | WASHER      | 2   |            | 11/32" X 1-1/8" X 1/16"         |
| 14  | H86029   | BRACKET     | 1   |            |                                 |
| 15  | H76139   | SCREW       | 4   |            | SELF-TAPPING                    |
| 16  | 19H1936  | CAP SCREW   | 2   |            | (C) 3/8" X 3/4"                 |
| 17  | R41880   | BRACKET     | 1   |            | (C)                             |
| 18  | AR41950  | NUT         | 2   |            | (C)                             |
| 19  | AR41951  | NUT         | 4   |            | (C)                             |
| 20  | 19H1227  | CAP SCREW   | 4   |            | 1/4" X 1/2"                     |
| 21  | R41880   | BRACKET     | 1   |            |                                 |
| 22  | AR68361  | RADIO       | 1   | -500000    | (D) (SUB AR101245)              |
|     | AR101245 | RADIO       | 1   | -550000    | (SUB TY15155, THIS APPLICATION) |
|     | TY15155  | RADIO       | 1   |            |                                 |

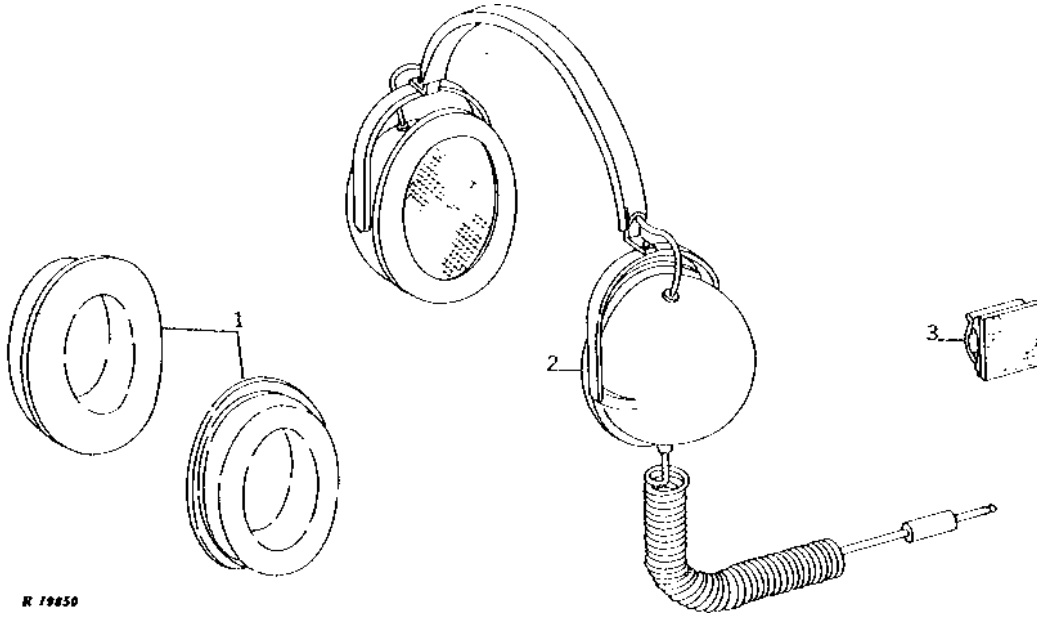
- KIT LISTED BELOW CONSISTS OF ALL PARTS IDENTIFIED BY AN (A):
- |    |         |      |   |         |  |
|----|---------|------|---|---------|--|
| .. | AR46983 | BASE | 1 | -550000 |  |
|----|---------|------|---|---------|--|
- ASSEMBLY LISTED BELOW CONSISTS OF ALL PARTS IDENTIFIED BY A (B):
- |    |         |         |   |  |  |
|----|---------|---------|---|--|--|
| .. | AH87161 | SUPPORT | 1 |  |  |
|----|---------|---------|---|--|--|
- KIT LISTED BELOW CONSISTS OF ALL PARTS IDENTIFIED BY A (C):
- |    |         |     |   |         |  |
|----|---------|-----|---|---------|--|
| .. | AR41754 | KIT | 1 | -550000 | MOUNTING FOR 2ND VEHICLE RADIO APPLICATION |
|----|---------|-----|---|---------|--|
- ASSEMBLY LISTED BELOW CONSISTS OF ALL PARTS IDENTIFIED BY A (D):
- |    |         |       |   |         |  |
|----|---------|-------|---|---------|--|
| .. | AR71981 | RADIO | 1 | -550000 |  |
|----|---------|-------|---|---------|--|

# 1F24

ELECTRICAL

R19850 -UN-01JAN94

## RADIO HEAD PHONES



| KEY | PART NO. | <i>R 19850</i><br>PART NAME | QTY | SERIAL NO. | REMARKS |
|-----|----------|-----------------------------|-----|------------|---------|
| 1   | AR73311  | FOAM PAD                    | 1   |            |         |
| 2   | AR59663  | HEADPHONES                  | 1   | -550000    |         |
| 3   | R53410   | CLIP                        | 1   |            |         |

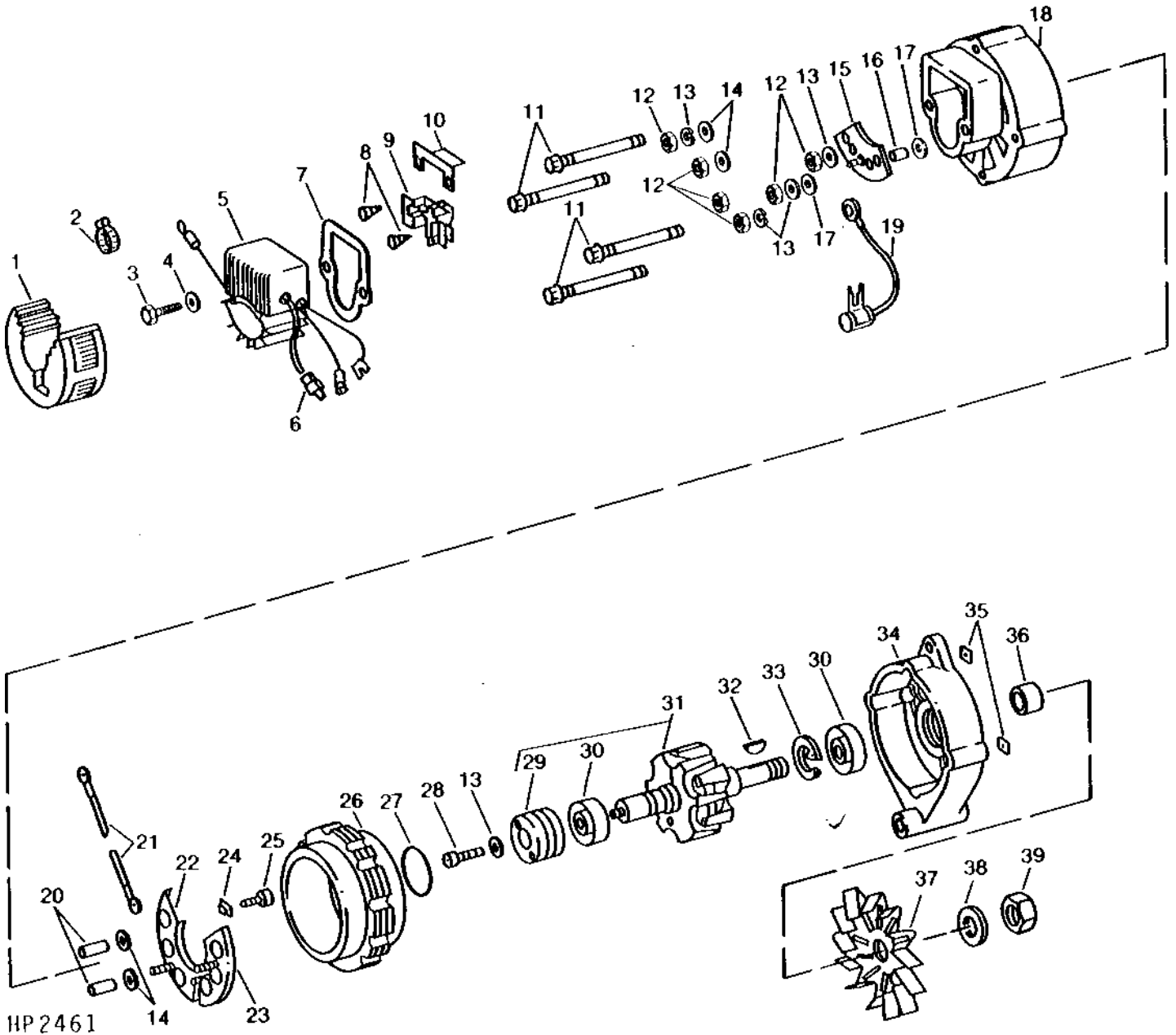
# 1G1

ELECTRICAL

ALTERNATOR AND VOLTAGE REGULATOR (72 AMP)  
(SERIAL NO. -600000)

HP2461

-UN-01JAN94



HP 2461

ALTERNATOR AND VOLTAGE REGULATOR (72 AMP) - CONTINUED  
(SERIAL NO. -600000)

| KEY | PART NO. | PART NAME          | QTY | SERIAL NO.  | REMARKS                        |
|-----|----------|--------------------|-----|-------------|--------------------------------|
| 1   | AH93170  | COVER              | 1   |             |                                |
| 2   | H77698   | TIE BAND           | 1   |             |                                |
| 3   | T29103   | SCREW              | 2   |             |                                |
| 4   | 12H315   | LOCK WASHER        | 2   | 0.164"      |                                |
| 5   | AT56592  | REGULATOR          | 1   |             |                                |
| 6   | R48887   | TAB CONNECTOR BODY | 1   |             |                                |
| 7   | T29100   | GASKET             | 1   |             |                                |
| 8   | 37H47    | SCREW              | 2   |             |                                |
| 9   | AT27128  | HOLDER             | 1   |             |                                |
| 10  | T25357   | INSULATOR          | 1   | -400000     | (SUB T46862)                   |
|     | T46862   | ISOLATOR           | 1   |             |                                |
| 11  | R47460   | BOLT               | 4   |             |                                |
| 12  | 14H778   | NUT                | 6   | 0.190"      |                                |
| 13  | 12H246   | LOCK WASHER        | 5   | 0.190"      |                                |
| 14  | R39804   | WASHER             | 4   | (INSULATOR) |                                |
| 15  | AR50229  | DIODE              | 1   |             |                                |
| 16  | R39803   | WASHER             | 1   |             |                                |
| 17  | R15036   | WASHER             | 2   |             |                                |
| 18  | R63977   | HOUSING            | 1   |             |                                |
| 19  | AH105521 | CAPACITOR          | 1   | 401299-     |                                |
| 20  | T25353   | BUSHING            | 2   |             |                                |
| 21  | AT27126  | WIRING LEAD        | 1   |             |                                |
| 22  | AH103067 | PLATE              | 1   |             | (RECTIFYING, POSITIVE)         |
| 23  | AH103068 | PLATE              | 1   |             | (RECTIFYING, NEGATIVE)         |
| 24  | T25350   | INSULATOR          | 1   |             |                                |
| 25  | T29099   | BOLT               | 1   |             |                                |
| 26  | AR50226  | STATOR             | 1   |             |                                |
| 27  | T50860   | RING               | 1   |             |                                |
| 28  | T29102   | SCREW              | 1   |             |                                |
| 29  | AT27127  | RING               | 1   |             |                                |
| 30  | AT23188  | BEARING            | 2   |             |                                |
| 31  | AR50227  | ROTOR              | 1   |             | (WITH SLIP RINGS AND BEARINGS) |
| 32  | 26H9     | SHAFT KEY          | 1   |             | 1/8" X 5/8"                    |
| 33  | R15029   | RETAINER           | 1   |             |                                |
| 34  | R15033   | HOUSING            | 1   |             |                                |
| 35  | 14H631   | NUT                | 4   | 0.190"      |                                |
| 36  | T25343   | BUSHING            | 1   |             |                                |
| 37  | R15027   | FAN                | 1   |             |                                |
| 38  | 12H294   | LOCK WASHER        | 1   | 5/8"        |                                |
| 39  | 14H866   | NUT                | 1   | 5/8"        |                                |
| ..  | AR52077  | ALTERNATOR         | 1   | -600000     | (SUB TY6653)                   |
| ..  | TY6603   | ALTERNATOR         | 1   | -600000     | (REMANUFACTURED) (SUB TY6653)  |

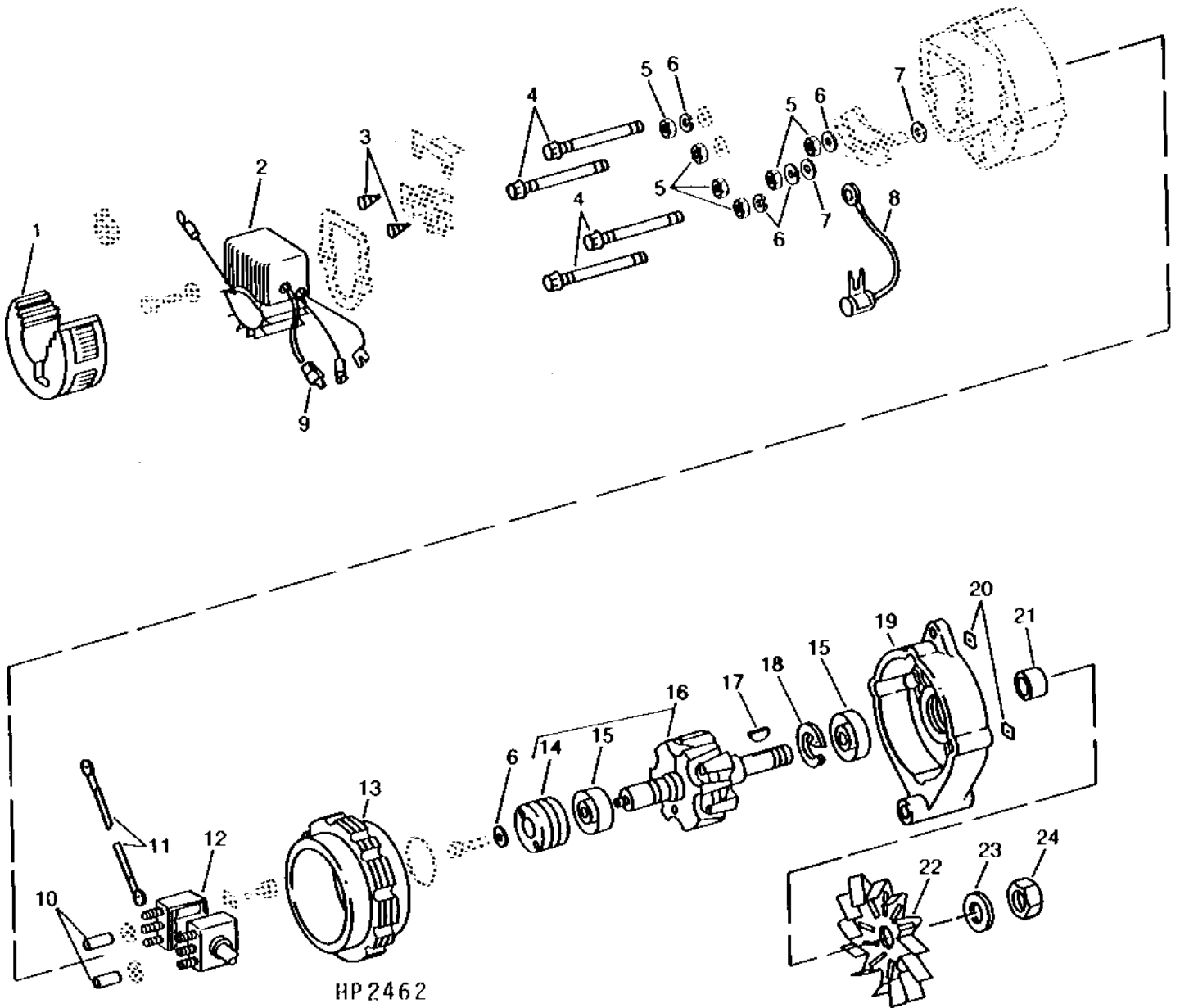
# 1G3

ELECTRICAL

## ALTERNATOR AND VOLTAGE REGULATOR (90 AMP) (SERIAL NO. 600001- )

HP2462

-UN-01JAN94



# 1G4

ELECTRICAL

## ALTERNATOR AND VOLTAGE REGULATOR (90 AMP) - CONTINUED (SERIAL NO. 600001- )

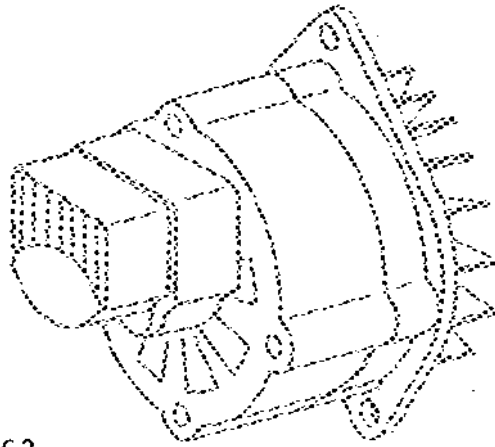
| KEY | PART NO. | PART NAME          | QTY | SERIAL NO. | REMARKS                                  |
|-----|----------|--------------------|-----|------------|--|
| 1   | H121705  | COVER              | 1   |            |  |
| 2   | AH117788 | VOLTAGE REGULATOR  | 1   |            |  |
| 3   | 37H47    | SCREW              | 2   |            | NO. 8 X 1/2"                             |
| 4   | R77460   | CONNECTOR          | 4   |            |  |
| 5   | 14H778   | NUT                | 6   |            | 0.190"                                   |
| 6   | 12H246   | LOCK WASHER        | 5   |            | 0.190"                                   |
| 7   | R15036   | WASHER             | 2   |            |  |
| 8   | AH105521 | CAPACITOR          | 1   |            |  |
| 9   | R48887   | TAB CONNECTOR BODY | 1   |            |  |
| 10  | T25353   | BUSHING            | 2   |            |  |
| 11  | AT27126  | WIRING LEAD        | 1   |            |  |
| 12  | AH117790 | DIODE              | 2   |            |  |
| 13  | AH117791 | STATOR             | 1   |            |  |
| 14  | AT27127  | RING               | 1   |            |  |
| 15  | AT23188  | BEARING            | 2   |            |  |
| 16  | AH117789 | ROTOR              | 1   |            |  |
| 17  | 26H9     | SHAFT KEY          | 1   |            | 1/8" X 5/8", (W/SLIP RINGS AND BEARINGS) |
| 18  | R15029   | RETAINER           | 1   |            |  |
| 19  | R15033   | HOUSING            | 1   |            |  |
| 20  | 14H631   | NUT                | 4   |            | 0.190"                                   |
| 21  | T25343   | BUSHING            | 1   |            |  |
| 22  | R15027   | FAN                | 1   |            |  |
| 23  | 12H294   | LOCK WASHER        | 1   |            | 5/8"                                     |
| 24  | 14H866   | NUT                | 1   |            | 5/8"                                     |
| ..  | TY6653   | ALTERNATOR         | 1   |            | (REMANUFACTURED)                         |

# 1G5

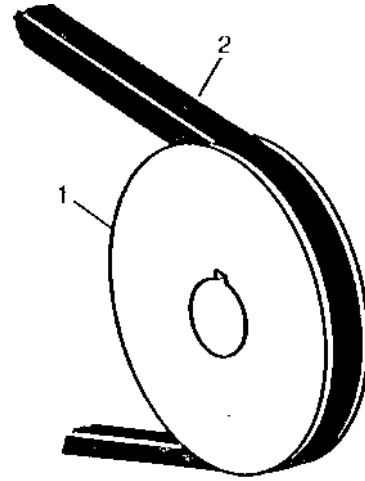
ELECTRICAL

HP2463 -UN-01JAN94

## ALTERNATOR SHEAVE AND BELT (72 AMP AND 90 AMP)



HP 2463



| KEY | PART NO. | PART NAME | QTY | SERIAL NO. | REMARKS |
|-----|----------|-----------|-----|------------|---------|
| 1   | H93619   | PULLEY    | 1   |            |         |
| 2   | H82724   | BELT      | 1   | -550000    |         |
|     | H101813  | BELT      | 1   | 550001-    |         |

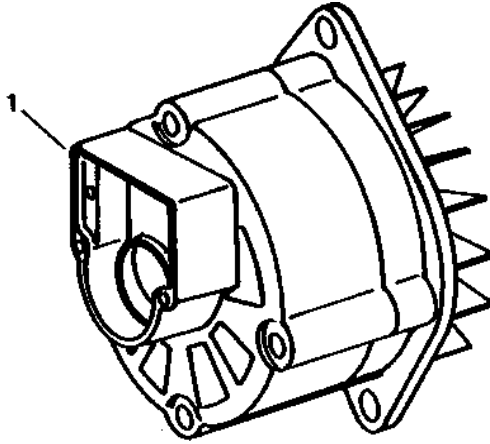


# 1G6

ELECTRICAL

HP2604 -UN-01JAN94

ALTERNATOR (90 AMP)  
(SERIAL NO. 600001- )



HP 2604

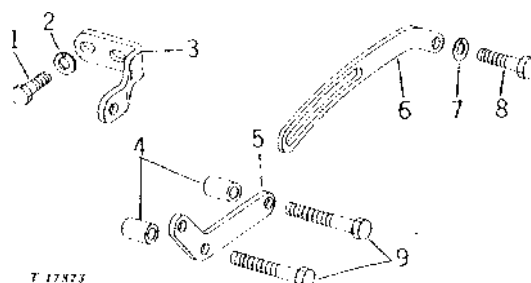
| KEY | PART NO. | PART NAME  | QTY | SERIAL NO.              | REMARKS |
|-----|----------|------------|-----|-------------------------|---------|
| 1   | TY6653   | ALTERNATOR | 1   | 90 AMP (REMANUFACTURED) |         |

---

MEMORANDA

## FRONT AND REAR ALTERNATOR SUPPORTS (6329DH)

T17823 -UN-01JAN94

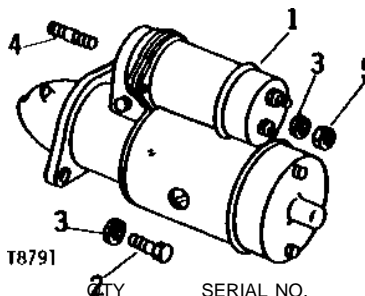


T 17823

| KEY | PART NO. | PART NAME   | QTY | SERIAL NO. | REMARKS                  |
|-----|----------|-------------|-----|------------|--------------------------|
| 1   | 19H2284  | CAP SCREW   | 2   |            | 3/8" X 7/8"              |
| 2   | 24H1305  | WASHER      | 2   |            | 13/32" X 13/16" X 0.065" |
| 3   | R38372   | BRACKET     | 1   | -550000    |                          |
|     | R59677   | BRACKET     | 1   | 550001-    |                          |
| 4   | 28H2547  | SPACER      | 2   |            | 0.423" X 0.675" X 1"     |
| 5   | T20202   | BRACKET     | 1   | -550000    |                          |
|     | R59676   | BRACKET     | 1   | 550001-    |                          |
| 6   | T32853   | STRAP       | 1   |            |                          |
| 7   | 12H304   | LOCK WASHER | 1   |            | 3/8"                     |
| 8   | 19H1801  | CAP SCREW   | 1   |            | 3/8" X 2"                |
| 9   | 19H2128  | CAP SCREW   | 2   |            | 3/8" X 3"                |

## STARTING MOTOR ATTACHING HARDWARE (6329DH)

T8791 -UN-01JAN94



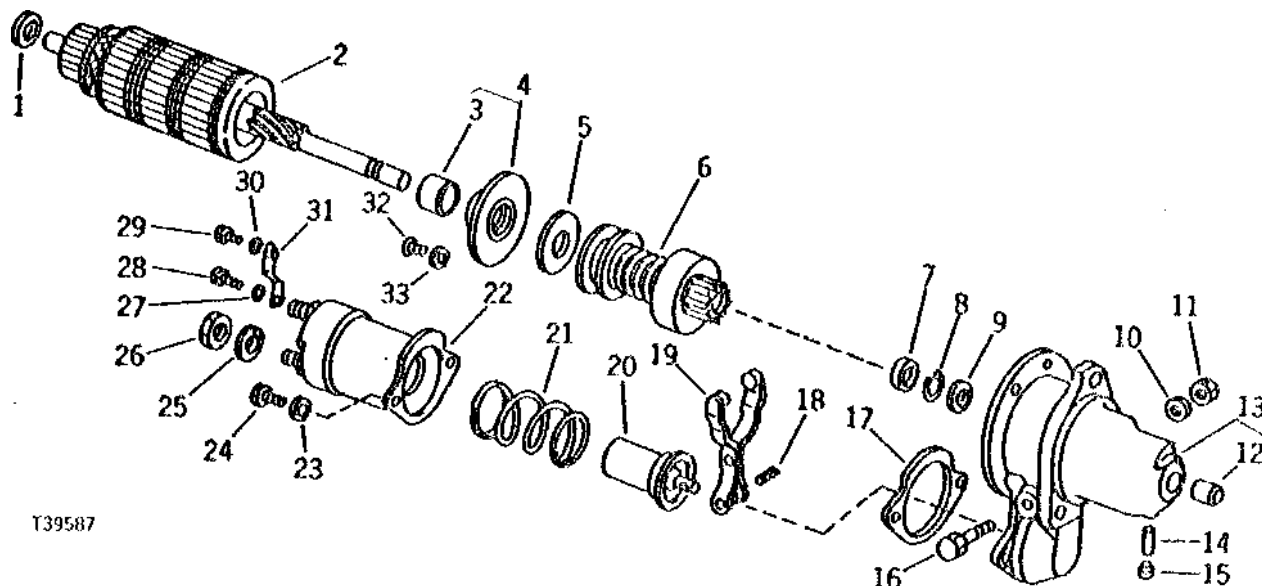
T8791

| KEY | PART NO. | PART NAME     | QTY | SERIAL NO. | REMARKS  |
|-----|----------|---------------|-----|------------|--|
| 1   | AT25619  | STARTER MOTOR | 1   | -110624    | (DELCO-REMY NO. 1107863 AND 1107871) (SUB RE19187) |
|     | RE19187  | STARTER MOTOR | 1   |            | (DELCO-REMY NO. 1998367)                           |
|     | TY6620   | STARTER MOTOR | 1   |            | (REMANUFACTURED) (12-VOLT) (DELCO-REMY)            |
| 2   | 19H1731  | CAP SCREW     | 1   |            | 3/8" X 1"  |
| 3   | 12H304   | LOCK WASHER   | 2   |            | 3/8"   |
| 4   | C2175R   | STUD          | 1   |            | (SUB FOR M3636T, THIS APPLICATION)                 |
| 5   | 14H1076  | NUT           | 1   |            | 3/8"   |

STARTING MOTOR DRIVE MOTOR AND ARMATURE ASSEMBLY  
 (6329DH)  
 (DELCO-REMY NOS. 1107863 AND 1107871)  
 (ENGINE SERIAL NO. -110624)

T39587

-UN-01JAN94



T39587

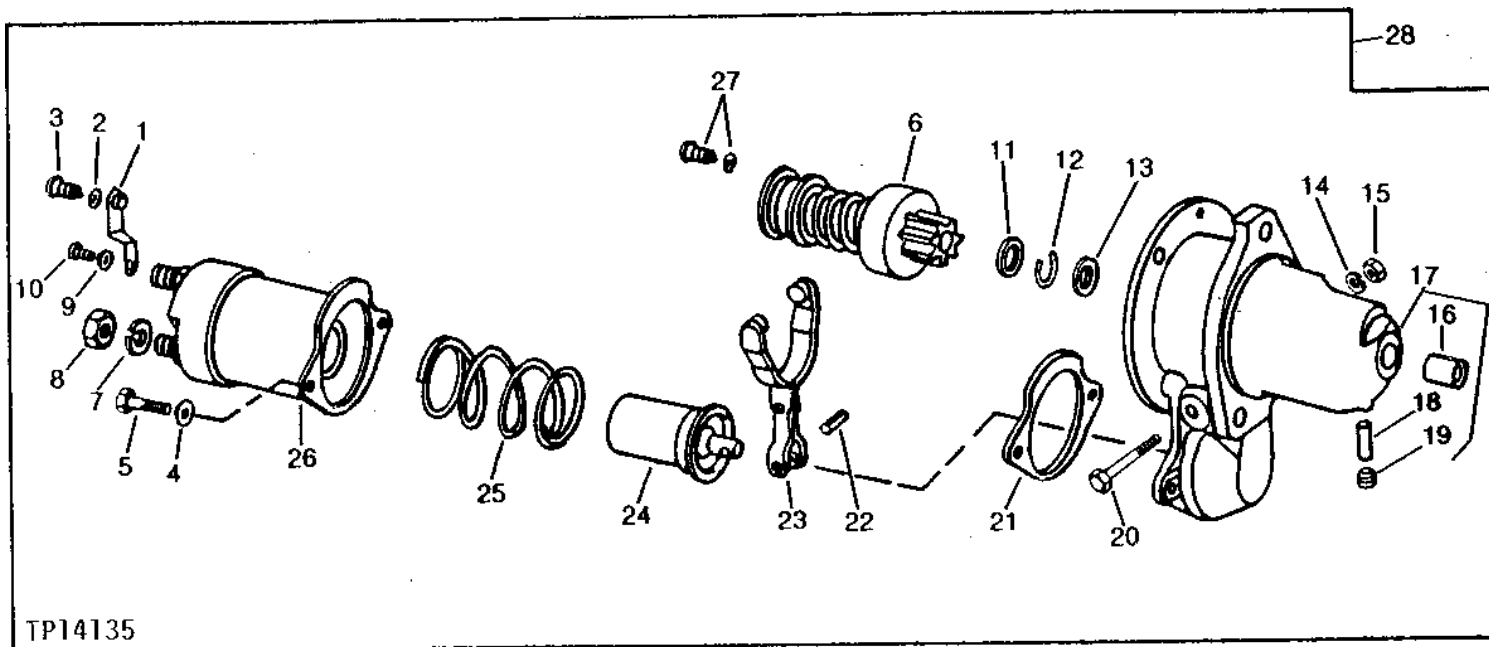
| KEY | PART NO. | PART NAME     | QTY | ENGINE SERIAL NO. | REMARKS           |
|-----|----------|---------------|-----|-------------------|-------------------|
| 1   | R11096   | WASHER        | 1   |                   |                   |
| 2   | AT16291  | ARMATURE      | 1   |                   |                   |
| 3   | T11684   | BUSHING       | 1   |                   |                   |
| 4   | 820149   | BEARING       | 1   |                   |                   |
| 5   | R11095   | WASHER        | 1   |                   |                   |
| 6   | AR54923  | BENDIX DRIVE  | 1   |                   |                   |
| 7   | R11116   | SPACER        | 1   |                   |                   |
| 8   | R11117   | SNAP RING     | 1   |                   |                   |
| 9   | T24539   | WASHER        | 1   |                   |                   |
| 10  | 12H303   | LOCK WASHER   | 1   | 5/16"             |                   |
| 11  | 14H611   | NUT           | 1   | 5/16"             |                   |
| 12  | T17987   | BUSHING       | 1   |                   |                   |
| 13  | RE19193  | HOUSING       | 1   |                   | (SUB FOR AR70082) |
| 14  | R40337   | WICK          | 1   |                   |                   |
| 15  | 15H558   | PIPE PLUG     | 1   | 1/8"              |                   |
| 16  | T11672   | CAP SCREW     | 1   |                   |                   |
| 17  | T17058   | GASKET        | 1   |                   |                   |
| 18  | 34H279   | SPRING PIN    | 1   | 3/16" X 13/16"    |                   |
| 19  | T18113   | SHIFTER       | 1   |                   |                   |
| 20  | AT15147  | PLUNGER       | 1   |                   |                   |
| 21  | T11675   | SPRING        | 1   |                   |                   |
| 22  | AR68304  | SOLENOID      | 1   |                   | (SUB FOR R11240)  |
| 23  | 12H302   | LOCK WASHER   | 2   | 1/4"              |                   |
| 24  | 21H1142  | SCREW         | 2   | 1/4" X 1/2"       |                   |
| 25  | 12H304   | LOCK WASHER   | 1   | 3/8"              |                   |
| 26  | 14H732   | NUT           | 1   | 3/8"              |                   |
| 27  | 12H295   | LOCK WASHER   | 1   | 0.190"            |                   |
| 28  | T15564   | SCREW         | 1   |                   |                   |
| 29  | 21H1127  | SCREW         | 1   | 0.190" X 7/16"    |                   |
| 30  | 12H246   | LOCK WASHER   | 1   | 0.190"            |                   |
| 31  | R39877   | BRACKET       | 1   |                   |                   |
| 32  | T19589   | SCREW         | 2   |                   |                   |
| 33  | T19569   | LOCK WASHER   | 2   |                   |                   |
| ..  | AT25619  | STARTER MOTOR | 1   |                   | (SUB RE19187)     |

# 1G9

ELECTRICAL

STARTING MOTOR DRIVE AND SWITCH ASSEMBLY  
(6329DH)  
(DELCO-REMY NO. 1998367)  
(ENGINE SERIAL NO. 110625- )

TP14135 -UN-01JAN94



| KEY | PART NO. | PART NAME          | QTY | ENGINE SERIAL NO. | REMARKS |
|-----|----------|--------------------|-----|-------------------|---------|
| 1   | R57025   | FITTING            | 1   |                   |         |
| 2   | 21H1127  | SCREW              | 1   | 0.190" X 7/16"    |         |
| 3   | 12H246   | LOCK WASHER        | 1   | 0.190"            |         |
| 4   | 12H302   | LOCK WASHER        | 2   | 1/4"              |         |
| 5   | 21H1142  | SCREW              | 2   | 1/4" X 1/2"       |         |
| 6   | AR54923  | BENDIX DRIVE       | 1   |                   |         |
| 7   | 12H304   | LOCK WASHER        | 1   | 3/8"              |         |
| 8   | 14H732   | NUT                | 1   | 3/8"              |         |
| 9   | 12H295   | LOCK WASHER        | 1   | 0.190"            |         |
| 10  | T15564   | SCREW              | 1   |                   |         |
| 11  | R11116   | SPACER             | 1   |                   |         |
| 12  | R11117   | SNAP RING          | 1   |                   |         |
| 13  | T24539   | WASHER             | 1   |                   |         |
| 14  | 12H303   | LOCK WASHER        | 1   | 5/16"             |         |
| 15  | 14H611   | NUT                | 1   | 5/16"             |         |
| 16  | R57029   | BUSHING            | 1   |                   |         |
| 17  | RE19193  | HOUSING            | 1   |                   |         |
| 18  | R81175   | WICK               | 1   |                   |         |
| 19  | R81174   | PLUG               | 1   | 1/8"              |         |
| 20  | T11672   | CAP SCREW          | 1   |                   |         |
| 21  | T17058   | GASKET             | 1   |                   |         |
| 22  | 34H279   | SPRING PIN         | 1   | 3/16" X 13/16"    |         |
| 23  | T18113   | SHIFTER            | 1   |                   |         |
| 24  | AM39970  | PLUNGER            | 1   |                   |         |
| 25  | R81176   | COMPRESSION SPRING | 1   |                   |         |
| 26  | AM39968  | SOLENOID           | 1   |                   |         |
| 27  | RE19191  | SCREW, WITH WASHER | 1   |                   |         |
| 28  | .....    | STARTER MOTOR      | 1   | (SUB RE19187)     |         |

# 1G10

ELECTRICAL

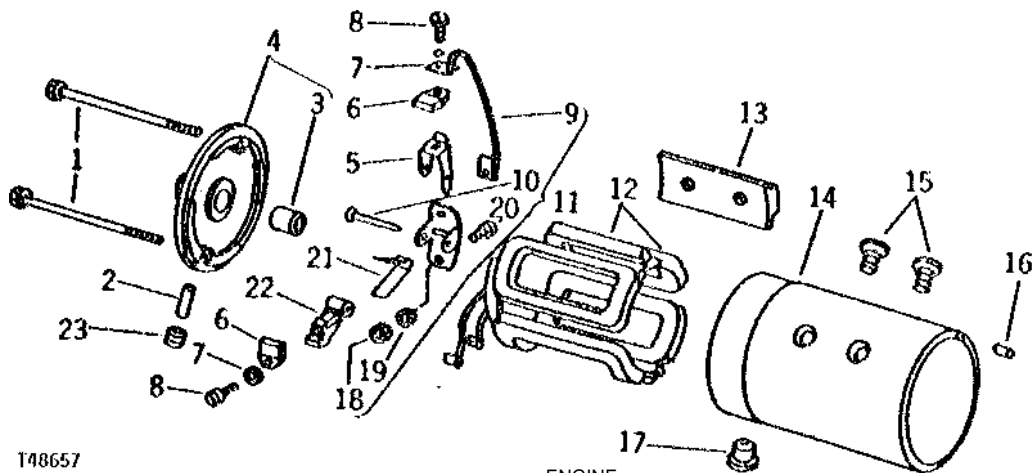
## STARTING MOTOR HOUSING AND COIL ASSEMBLY

(6329DH)

(DELCO-REMY NOS. 1107863 AND 1107871)

(ENGINE SERIAL NO. -110624)

T48657 -UN-01JAN94



T48657

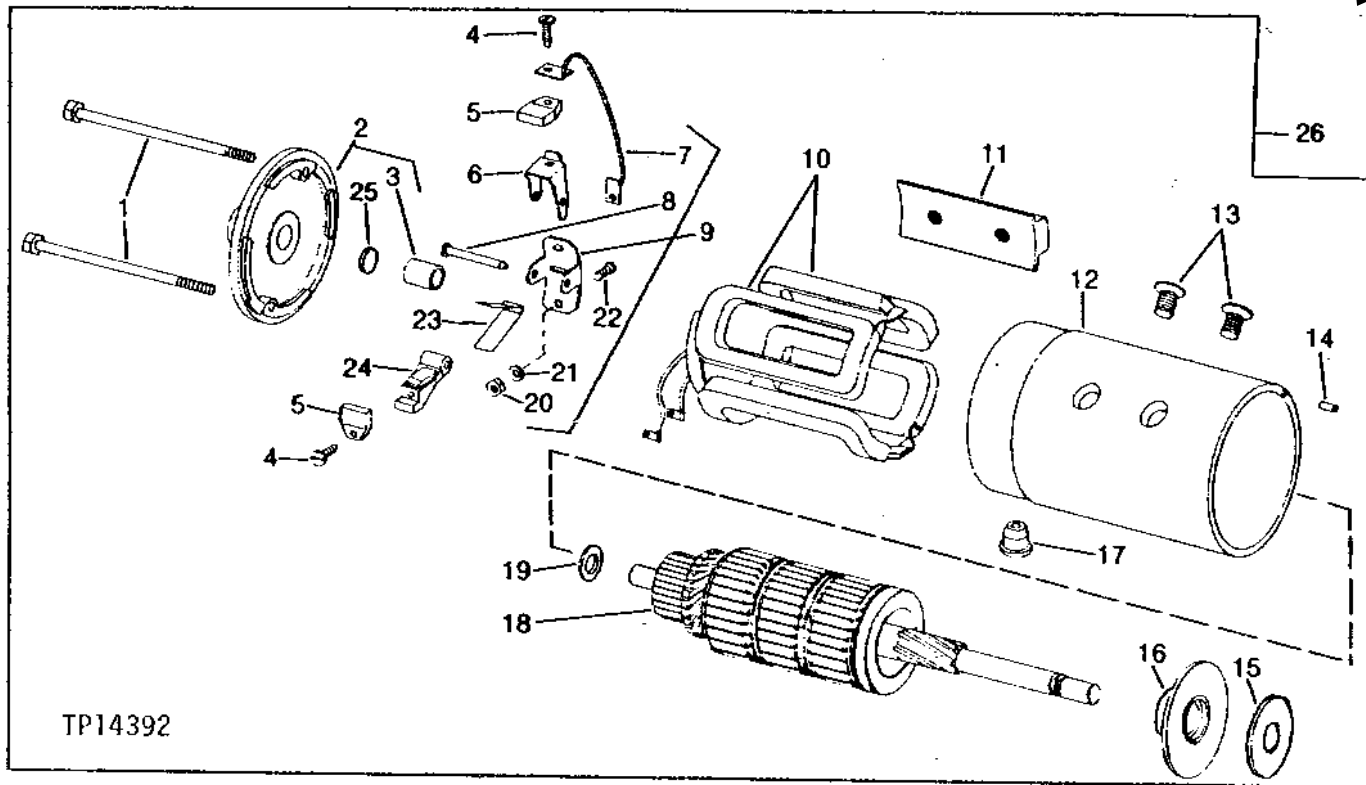
| KEY | PART NO. | PART NAME          | QTY | ENGINE SERIAL NO. | REMARKS  |
|-----|----------|--------------------|-----|-------------------|--|
| 1   | R11243   | CAP SCREW          | 2   |                   |  |
| 2   | H23193   | FELT               | 1   |                   |  |
| 3   | T11739   | BUSHING            | 1   |                   |  |
| 4   | R11238   | END PLATE          | 1   |                   |  |
| 5   | T738T    | HOLDER             | 2   |                   |  |
| 6   | R11239   | BRUSH              | 4   |                   |  |
| 7   | 12H290   | WASHER             | 4   | 0.164"            |  |
| 8   | 37H79    | SCREW              | 4   | 1/4" X 5/8"       |  |
| 9   | AT514T   | WIRING LEAD        | 2   |                   |  |
| 10  | T736T    | PIN                | 2   |                   |  |
| 11  | AT516T   | KIT                | 2   |                   | INCLUDES GROUND LEAD, BRUSH HOLDER, PIN SUPPORT, SCREWS, LOCK WASHERS AND NUTS |
| 12  | AT16290  | FIELD WINDING COIL | 1   |                   |  |
| 13  | T11680   | SHOE               | 4   |                   |  |
| 14  | .....    | STARTER MOTOR      | 1   | (SUB RE19187)     |  |
| 15  | 21H1280  | SCREW              | 8   | 3/8" X 3/4"       |  |
| 16  | R11087   | DOWEL PIN          | 1   |                   |  |
| 17  | R11236   | GROMMET            | 1   |                   |  |
| 18  | 14H778   | NUT                | 4   | 0.190"            |  |
| 19  | 12H246   | LOCK WASHER        | 4   | 0.190"            |  |
| 20  | 21H1301  | SCREW              | 4   | 0.190" X 1/2"     |  |
| 21  | T740T    | SPRING             | 4   |                   |  |
| 22  | T739T    | HOLDER             | 2   |                   |  |
| 23  | 15H558   | PIPE PLUG          | 1   | 1/8"              |  |
| ..  | AT25619  | STARTER MOTOR      | 1   | (SUB RE19187)     |  |

# 1G11

ELECTRICAL

STARTING MOTOR COIL ASSEMBLY, HOUSING AND ARMATURE  
 (6329DH)  
 (DELCO-REMY NO. 1998367)  
 (ENGINE SERIAL NO. 110625- )

TP14392 -UN-01JAN94



TP14392

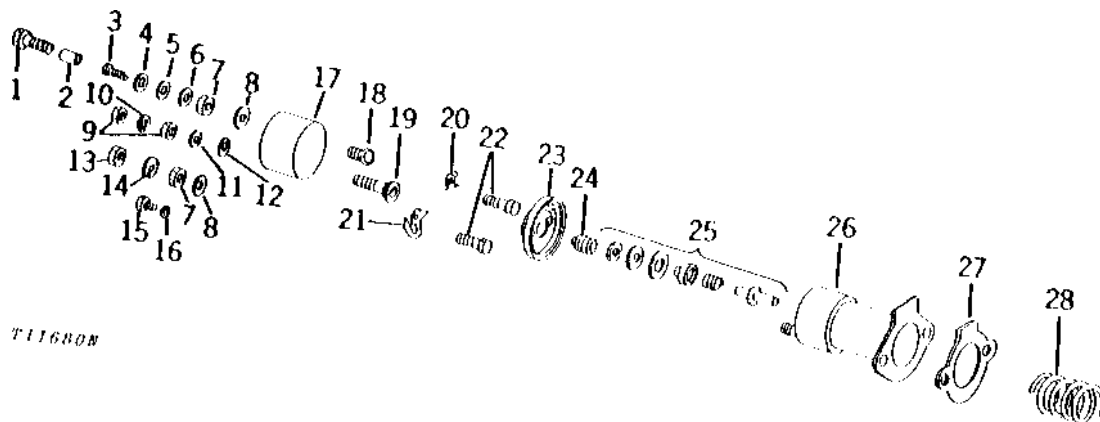
| KEY | PART NO. | PART NAME           | QTY | ENGINE SERIAL NO. | REMARKS |
|-----|----------|---------------------|-----|-------------------|---------|
| 1   | R81171   | BOLT                | 2   |                   |         |
| 2   | R81167   | END PLATE           | 1   |                   |         |
| 3   | R61932   | BUSHING             | 1   |                   |         |
| 4   | RE19189  | SCREW               | 4   |                   |         |
| 5   | R81168   | BRUSH               | 4   |                   |         |
| 6   | R81169   | CARBON BRUSH HOLDER | 2   |                   |         |
| 7   | R57028   | WIRING LEAD         | 2   |                   |         |
| 8   | T736T    | PIN                 | 2   |                   |         |
| 9   | AR68302  | KIT                 | 2   |                   |         |
| 10  | RE19188  | FIELD WINDING COIL  | 1   |                   |         |
| 11  | T11680   | SHOE                | 4   |                   |         |
| 12  | .....    | HOUSING             | 1   | (SUB RE19187)     |         |
| 13  | 21H1280  | SCREW               | 4   | 3/8" X 3/4"       |         |
| 14  | R81173   | DOWEL PIN           | 4   |                   |         |
| 15  | R81172   | WASHER              | 1   |                   |         |
| 16  | RE19192  | PLATE               | 1   | WITH BUSHING      |         |
| 17  | R11236   | GROMMET             | 1   |                   |         |
| 18  | AR68299  | ARMATURE            | 1   |                   |         |
| 19  | R81198   | THRUST WASHER       | 1   |                   |         |
| 20  | 14H778   | NUT                 | 4   | 0.190"            |         |
| 21  | 12H246   | LOCK WASHER         | 4   | 0.190"            |         |
| 22  | 21H1301  | SCREW               | 4   | 0.190" X 1/2"     |         |
| 23  | R81170   | SPRING              | 4   |                   |         |
| 24  | R57027   | HOLDER              | 2   |                   |         |
| 25  | R61934   | WICK                | AR  | 1/8"              |         |
| 26  | .....    | STARTER MOTOR       | 1   | (SUB RE19187)     |         |

# 1G12

ELECTRICAL

STARTING MOTOR SOLENOID SWITCH  
 (6329DH)  
 (DELCO-REMY NO. 1114356)  
 (ENGINE SERIAL NO. -110624)

T11680 -UN-01JAN94



T11680N

| KEY | PART NO. | PART NAME       | QTY | ENGINE SERIAL NO. | REMARKS |
|-----|----------|-----------------|-----|-------------------|---------|
| 1   | T19610   | CAP SCREW       | 1   |                   |         |
| 2   | T19608   | BUSHING         | 1   |                   |         |
| 3   | T15564   | SCREW           | 1   |                   |         |
| 4   | 12H295   | LOCK WASHER     | 1   | 0.190"            |         |
| 5   | T19600   | WASHER          | 1   |                   |         |
| 6   | T19602   | WASHER          | 1   |                   |         |
| 7   | 14H732   | NUT             | 2   | 3/8"              |         |
| 8   | T18107   | WASHER          | 2   |                   |         |
| 9   | 14H605   | NUT             | 4   | 0.164"            |         |
| 10  | T19603   | LOCK WASHER     | 2   |                   |         |
| 11  | T19601   | WASHER          | 2   |                   |         |
| 12  | T19607   | WASHER          | 2   |                   |         |
| 13  | 14H732   | NUT             | 1   | 3/8"              |         |
| 14  | 12H304   | LOCK WASHER     | 1   | 3/8"              |         |
| 15  | 21H1127  | SCREW           | 2   | 0.190" X 7/16"    |         |
| 16  | R11039   | WASHER          | 2   |                   |         |
| 17  | R57452   | COVER           | 1   |                   |         |
| 18  | T18354   | SCREW           | 1   |                   |         |
| 19  | T18105   | STUD            | 1   |                   |         |
| 20  | T19605   | CLIP            | 1   |                   |         |
| 21  | T19604   | CONTACT         | 1   |                   |         |
| 22  | T19606   | STUD            | 2   |                   |         |
| 23  | R49394   | GASKET          | 1   |                   |         |
| 24  | R11066   | SPRING          | 1   |                   |         |
| 25  | AT15146  | CONTACT         | 1   |                   |         |
| 26  | .....    | ELECTRICAL COIL | 1   | (SUB AR68304)     |         |
| 27  | T17058   | GASKET          | 1   |                   |         |
| 28  | T11675   | SPRING          | 1   |                   |         |
| ..  | R11240   | SWITCH          | 1   | (SUB AR68304)     |         |

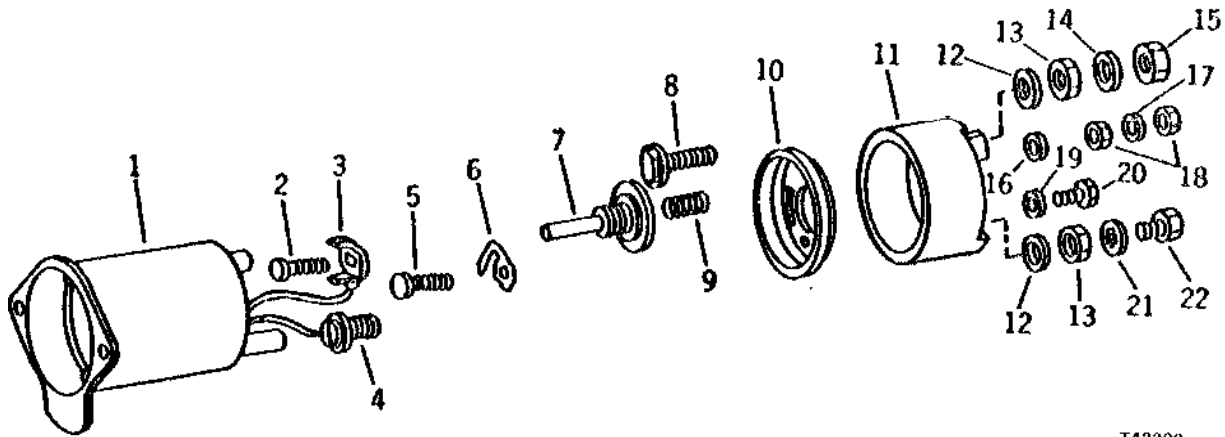


# 1G13

ELECTRICAL

STARTING MOTOR SOLENOID SWITCH  
(6329DH)  
(DELCO-REMY NO. 1114381)  
(ENGINE SERIAL NO. -110624)

T42290 -UN-01JAN94



| KEY | PART NO. | PART NAME       | QTY | ENGINE SERIAL NO. | T42290<br>REMARKS |
|-----|----------|-----------------|-----|-------------------|-------------------|
| 1   | .....    | ELECTRICAL COIL | 1   | (SUB AR68304)     |                   |
| 2   | T19606   | STUD            | 1   |                   |                   |
| 3   | T19605   | CLIP            | 1   |                   |                   |
| 4   | T18354   | SCREW           | 1   |                   |                   |
| 5   | T19606   | STUD            | 1   |                   |                   |
| 6   | T19604   | CONTACT         | 1   |                   |                   |
| 7   | AT15146  | CONTACT         | 1   |                   |                   |
| 8   | T18105   | STUD            | 1   |                   |                   |
| 9   | R11066   | SPRING          | 1   |                   |                   |
| 10  | R49394   | GASKET          | 1   |                   |                   |
| 11  | R57452   | COVER           | 1   |                   |                   |
| 12  | T18107   | WASHER          | 2   |                   |                   |
| 13  | 14H732   | NUT             | 2   | 3/8"              |                   |
| 14  | 12H304   | LOCK WASHER     | 1   | 3/8"              |                   |
| 15  | 14H812   | NUT             | 1   | 3/8"              |                   |
| 16  | T19607   | WASHER          | 2   |                   |                   |
| 17  | T19603   | LOCK WASHER     | 2   |                   |                   |
| 18  | 14H605   | NUT             | 4   | 0.164"            |                   |
| 19  | R11039   | WASHER          | 2   |                   |                   |
| 20  | 21H1298  | SCREW           | 2   | 0.190" X 3/8"     |                   |
| 21  | 12H295   | LOCK WASHER     | 1   | 0.190"            |                   |
| 22  | T15564   | SCREW           | 1   |                   |                   |
| ..  | AR68304  | SOLENOID        | 1   | (12-VOLT)         |                   |

---

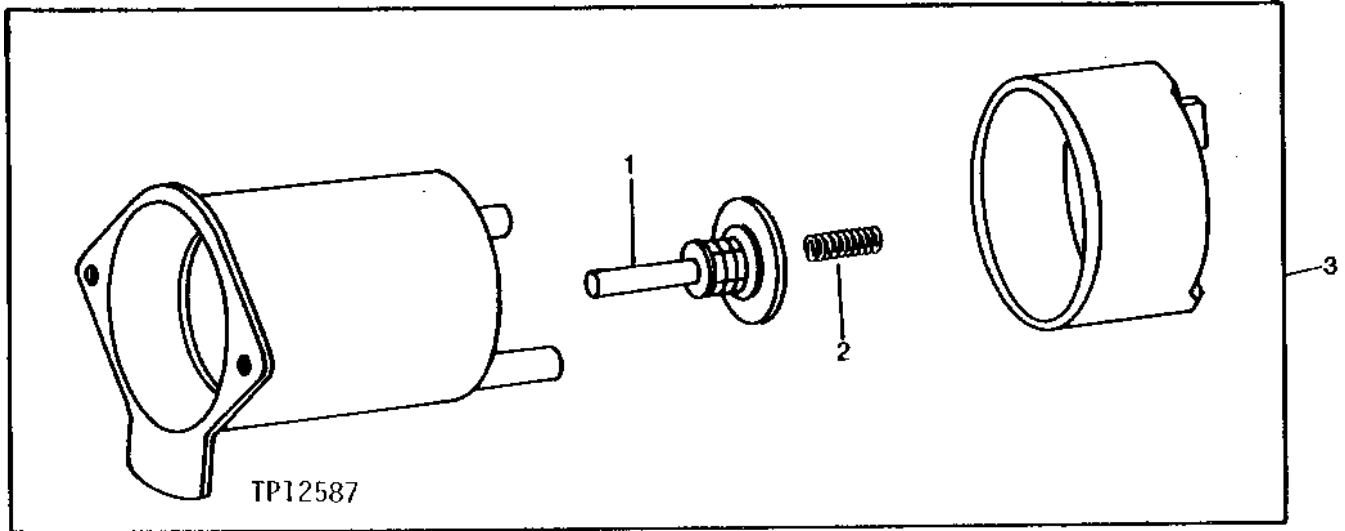
MEMORANDA

# 1G14

ELECTRICAL

STARTER SOLENOID SWITCH  
(6329DH)  
(DELCO-REMY NO. 1998367)  
(ENGINE SERIAL NO. 110625- )

TP12587 -UN-01JAN94



| KEY | PART NO. | PART NAME | QTY | ENGINE SERIAL NO. | REMARKS                            |
|-----|----------|-----------|-----|-------------------|------------------------------------|
| 1   | AM39969  | CONTACT   | 1   |                   |                                    |
| 2   | R11066   | SPRING    | 1   |                   |                                    |
| 3   | AM39968  | SOLENOID  | 1   |                   | (12-VOLT) (DELCO-REMY NO. 1114524) |

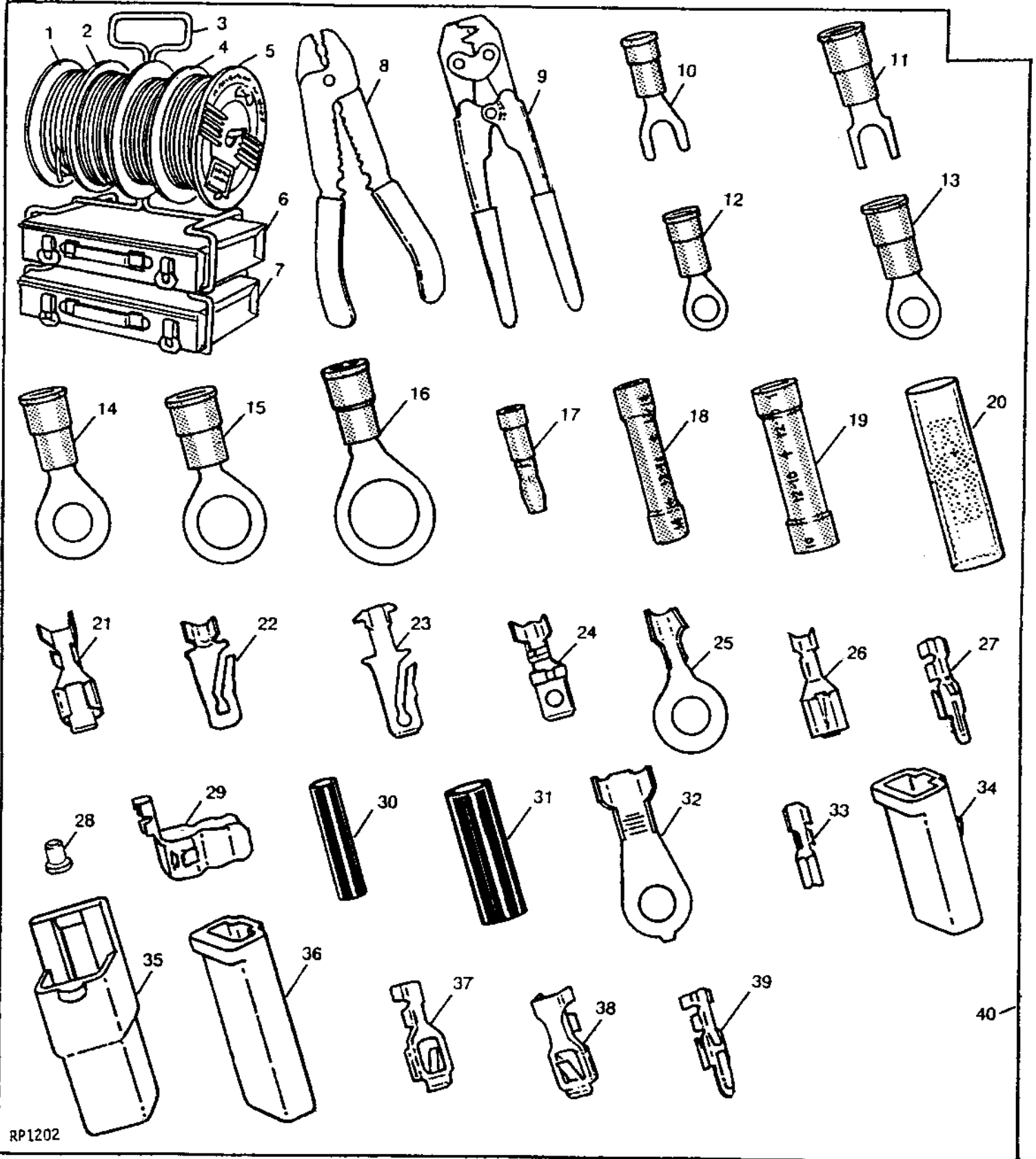
# 1G15

ELECTRICAL

RP1202

-UN-12SEP95

## TERMINAL AND WIRING KIT



RP1202

# 1G16

ELECTRICAL

## TERMINAL AND WIRING KIT - CONTINUED

| KEY | PART NO. | PART NAME                 | QTY | SERIAL NO. | REMARKS                             |
|-----|----------|---------------------------|-----|------------|-------------------------------------|
| 1   | R66319   | WIRING LEAD               | 1   |            | 14 GA., 30.5 MM (100 FT.) (1 SPOOL) |
| 2   | R65593   | WIRING LEAD               | 1   |            | 16 GA., 30.5 MM (100 FT.) (1 SPOOL) |
| 3   | R65608   | RACK                      | 1   |            |                                     |
| 4   | R66321   | WIRING LEAD               | 1   |            | 10 GA., 15 MM (50 FT.) (1 SPOOL)    |
| 5   | R66320   | WIRING LEAD               | 1   |            | 12 GA., 30.5 MM (100 FT.) (1 SPOOL) |
| 6   | R65609   | CONTAINER                 | 1   |            |                                     |
| 7   | R65610   | CONTAINER                 | 1   |            |                                     |
| 8   | R32011   | TOOL                      | 1   |            |                                     |
| 9   | R65594   | TOOL                      | 1   |            |                                     |
| 10  | R32016   | TERMINAL                  | 1   |            | 14-16 GA., NO. 10 SPADE             |
| 11  | R32017   | TERMINAL                  | 1   |            | 10-12 GA., NO. 10 SPADE             |
| 12  | R32018   | TERMINAL                  | 1   |            | 14-16 GA., NO. 10 EYELET            |
| 13  | R32019   | TERMINAL                  | 1   |            | 10-12 GA., NO. 10 EYELET            |
| 14  | R32021   | TERMINAL                  | 1   |            | 10-12 GA., 1/4" EYELET              |
| 15  | R32022   | TERMINAL                  | 1   |            | 10-12 GA., 3/8" EYELET              |
| 16  | R32023   | TERMINAL                  | 1   |            | 10-12 GA., 1/2" EYELET              |
| 17  | R32026   | TERMINAL                  | 1   |            | MALE BULLETT                        |
| 18  | R32027   | CONNECTOR                 | 1   |            | SPLICE, 14-16 GA.                   |
| 19  | R32028   | TERMINAL                  | 1   |            | SPLICE, 10-12 GA.                   |
| 20  | R32029   | TERMINAL                  | 1   | -610100    | (SUB AL2976T, THIS APPLICATION)     |
|     | AL2976T  | CONNECTOR                 | 1   |            | 2-WIRE BULLET CONNECTOR             |
| 21  | R65595   | TERMINAL                  | 1   |            | FEMALE, 10 GA.                      |
| 22  | R65596   | TERMINAL                  | 1   |            | MALE, 10 GA. OR (2) 14 GA. CABLES   |
| 23  | R65597   | TERMINAL                  | 1   |            | MALE, 14-16 GA.                     |
| 24  | R65598   | TERMINAL                  | 1   |            | MALE, SHORT, 14-16 GA.              |
| 25  | R65599   | TERMINAL                  | 1   |            | 14-16 GA., 1/4" EYELET              |
| 26  | R65600   | TERMINAL                  | 1   |            | FEMALE, 14-16 GA.                   |
| 27  | R65601   | TERMINAL                  | 1   |            | TWIN-LOCK, (2) 16 GA. CABLES        |
| 28  | R65602   | SOCKET CONTACT            | 1   |            | BULB SOCKET, 16-18 GA.              |
| 29  | R65603   | TERMINAL NIPPLE           | 1   |            | FUSE                                |
| 30  | R65604   | INSULATING SLEEVE         | 1   |            | 14-18 GA.                           |
| 31  | R65605   | INSULATING SLEEVE         | 1   |            | 8-12 GA.                            |
| 32  | R65606   | TERMINAL                  | 1   |            | 6-8 GA., 1/4" EYELET                |
| 33  | R65607   | TERMINAL                  | 1   |            | 18-20 GA.                           |
| 34  | T28583   | RECEPTACLE CONNECTOR BODY | 1   |            | ONE CONTACT, LOCK-TYPE, MALE        |
| 35  | T28585   | TAB CONNECTOR BODY        | 1   |            | ONE CONTACT, LOCK-TYPE, FEMALE      |
| 36  | U46370   | CONNECTOR                 | 1   |            | ONE CONTACT, SINGLE BODY, MALE      |
| 37  | U46662   | TERMINAL                  | 1   |            | MALE                                |
| 38  | U46663   | TERMINAL                  | 1   |            | MALE                                |
| 39  | U46664   | TERMINAL                  | 1   |            | MALE                                |
| 40  | AR84006  | KIT                       | 1   | -XXXXXX    | TERMINAL AND WIRING, (SUB RE11154)  |

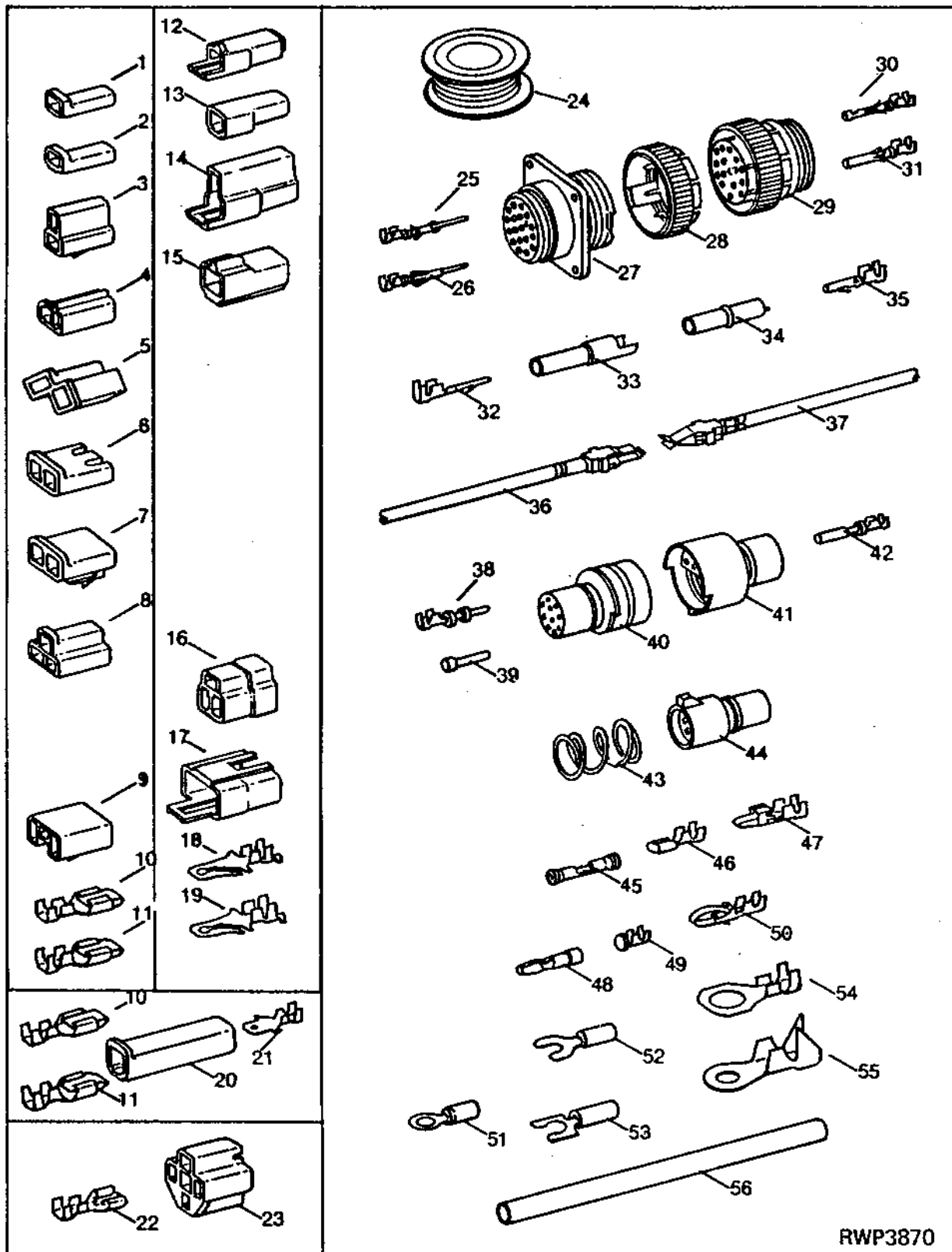
# 1G17

ELECTRICAL

RWP3870

-UN-01JAN94

## ELECTRICAL CONNECTOR SERVICE KIT



## ELECTRICAL CONNECTOR SERVICE KIT - CONTINUED

| KEY | PART NO. | PART NAME                  | QTY | SERIAL NO. | REMARKS                                    |
|-----|----------|----------------------------|-----|------------|--|
| 1   | T28583   | RECEPTACLE CONNECTOR BODY  | 1   |            | PKG. OF 3                                  |
| 2   | M43835   | FLAT CONNECTOR             | 1   |            | PKG. OF 3                                  |
| 3   | R77476   | CONNECTOR                  | 1   |            | PKG. OF 2                                  |
| 4   | R77477   | RECEPTACLE CONNECTOR BODY  | 1   |            | PKG. OF 2                                  |
| 5   | R77479   | CONNECTOR                  | 1   |            | PKG. OF 2                                  |
| 6   | R77480   | RECEPTACLE CONNECTOR BODY  | 1   |            | PKG. OF 2                                  |
| 7   | R77481   | CONNECTOR                  | 1   |            | PKG. OF 2                                  |
| 8   | R77482   | CONNECTOR                  | 1   |            |  |
| 9   | H104855  | RECEPTACLE CONNECTOR BODY  | 1   |            |  |
| 10  | U46662   | TERMINAL                   | 1   |            | PKG. OF 25 (14 OR 16 GA. WIRE)             |
| 11  | N115096  | TERMINAL                   | 1   |            | PKG. OF 15 (10 OR 12 GA. WIRE)             |
| 12  | T28585   | TAB CONNECTOR BODY         | 1   |            | PKG. OF 3                                  |
| 13  | R77475   | CONNECTOR                  | 1   |            | PKG. OF 3                                  |
| 14  | T28586   | CONNECTOR                  | 1   |            | PKG. OF 2                                  |
| 15  | R77478   | CONNECTOR                  | 1   |            | PKG. OF 2                                  |
| 16  | R77483   | CONNECTOR                  | 1   |            |  |
| 17  | R48887   | TAB CONNECTOR BODY         | 1   |            |  |
| 18  | T34067   | TERMINAL                   | 1   |            | PKG. OF 25 (14 OR 16 GA. WIRE)             |
| 19  | R77484   | TERMINAL                   | 1   |            | PKG. OF 15 (10 OR 12 GA. WIRE)             |
| 20  | U46370   | CONNECTOR                  | 1   |            | PKG. OF 3                                  |
| 21  | R77485   | TAB                        | 1   |            | PKG. OF 10 (14 OR 16 GA. WIRE)             |
| 22  | R77486   | TERMINAL                   | 1   |            | PKG. OF 25                                 |
| 23  | R77487   | CONNECTOR                  | 1   |            | PKG. OF 3                                  |
| 24  | R66321   | WIRING LEAD                | 1   |            | 15M (50 FT.) 10 GA.                        |
|     | R66320   | WIRING LEAD                | 1   |            | 30.5M (100 FT.) 12 GA.                     |
|     | R77501   | WIRE                       | 1   |            | 30.5M (100 FT.) 14 GA.                     |
|     | R77500   | WIRE                       | 1   |            | 30.5M (100 FT.) 16 GA.                     |
|     | R77499   | WIRE                       | 1   |            | 30.5M (100 FT.) 18 GA.                     |
|     | R77498   | WIRE                       | 1   |            | 30.5M (100 FT.) 20 GA.                     |
| 25  | R77462   | PIN CONTACT                | 1   |            | PKG. OF 40 (20-22 OR 24 GA. WIRE)          |
| 26  | R77464   | PIN CONTACT                | 1   |            | PKG. OF 50 (14-16 OR 18 GA. WIRE)          |
| 27  | R77456   | RECEPTACLE                 | 1   |            | 37 WAY                                     |
| 28  | R77458   | CONNECTOR                  | 1   |            | PKG. OF 2 (SIZE 23)                        |
|     | R77459   | CONNECTOR                  | 1   |            | PKG. OF 2 (SIZE 17)                        |
|     | R77460   | CONNECTOR                  | 1   |            | PKG. OF 2 (SIZE 13)                        |
|     | R77461   | CONNECTOR                  | 1   |            | PKG. OF 2 (SIZE 11)                        |
| 29  | R77457   | ELECTRICAL PLUG            | 1   |            | 37 WAY                                     |
| 30  | R77463   | SOCKET CONTACT             | 1   |            | PKG. OF 40 (20-22 OR 24 GA. WIRE)          |
| 31  | R77465   | SOCKET CONTACT             | 1   |            | PKG. OF 50 (14-16 OR 18 GA. WIRE)          |
| 32  | R77468   | TERMINAL                   | 1   |            | PKG. OF 5                                  |
| 33  | R77466   | CONNECTOR                  | 1   |            | PKG. OF 2                                  |
| 34  | R77467   | CONNECTOR                  | 1   |            | PKG. OF 2                                  |
| 35  | R77469   | TERMINAL                   | 1   |            | PKG. OF 5                                  |
| 36  | RE11156  | TERMINAL                   | 1   |            | PKG. OF 3 (MALE)                           |
| 37  | RE11157  | TERMINAL                   | 1   |            | PKG. OF 3 (FEMALE)                         |
| 38  | R70222   | PIN CONTACT                | 1   |            | PKG. OF 20 (14-16 OR 18 GA. WIRE)          |
| 39  | R70221   | ELECTRICAL PLUG            | 1   |            | PKG. OF 25                                 |
| 40  | R70219   | PLUG                       | 1   |            | PKG. OF (2) R70218 AND (2) R70219 (10 WAY) |
|     | R70217   | PLUG                       | 1   |            | PKG. OF (2) R70216 AND (2) R70217 (7 WAY)  |
|     | R70215   | PLUG                       | 1   |            | PKG. OF (2) R70214 AND (2) R70215 (4 WAY)  |
|     | R70213   | PIN CONTACT CONNECTOR BODY | 1   |            | PKG. OF (2) R70212 AND (2) R70213 (3 WAY)  |
|     | R70211   | CONNECTOR                  | 1   |            | PKG. OF (2) R70210 AND (2) R70211 (2 WAY)  |
| 41  | R70218   | RECEPTACLE                 | 1   |            | (ORDER R70219)                             |
|     | R70216   | RECEPTACLE                 | 1   |            | (ORDER R70217)                             |
|     | R70214   | RECEPTACLE                 | 1   |            | (ORDER R70215)                             |
|     | R70212   | RECEPTACLE                 | 1   |            | (ORDER R70213)                             |
|     | R70210   | RECEPTACLE                 | 1   |            | (ORDER R70211)                             |

NOTE: THIS PARTS LISTING IS CONTINUED ON NEXT PAGE.

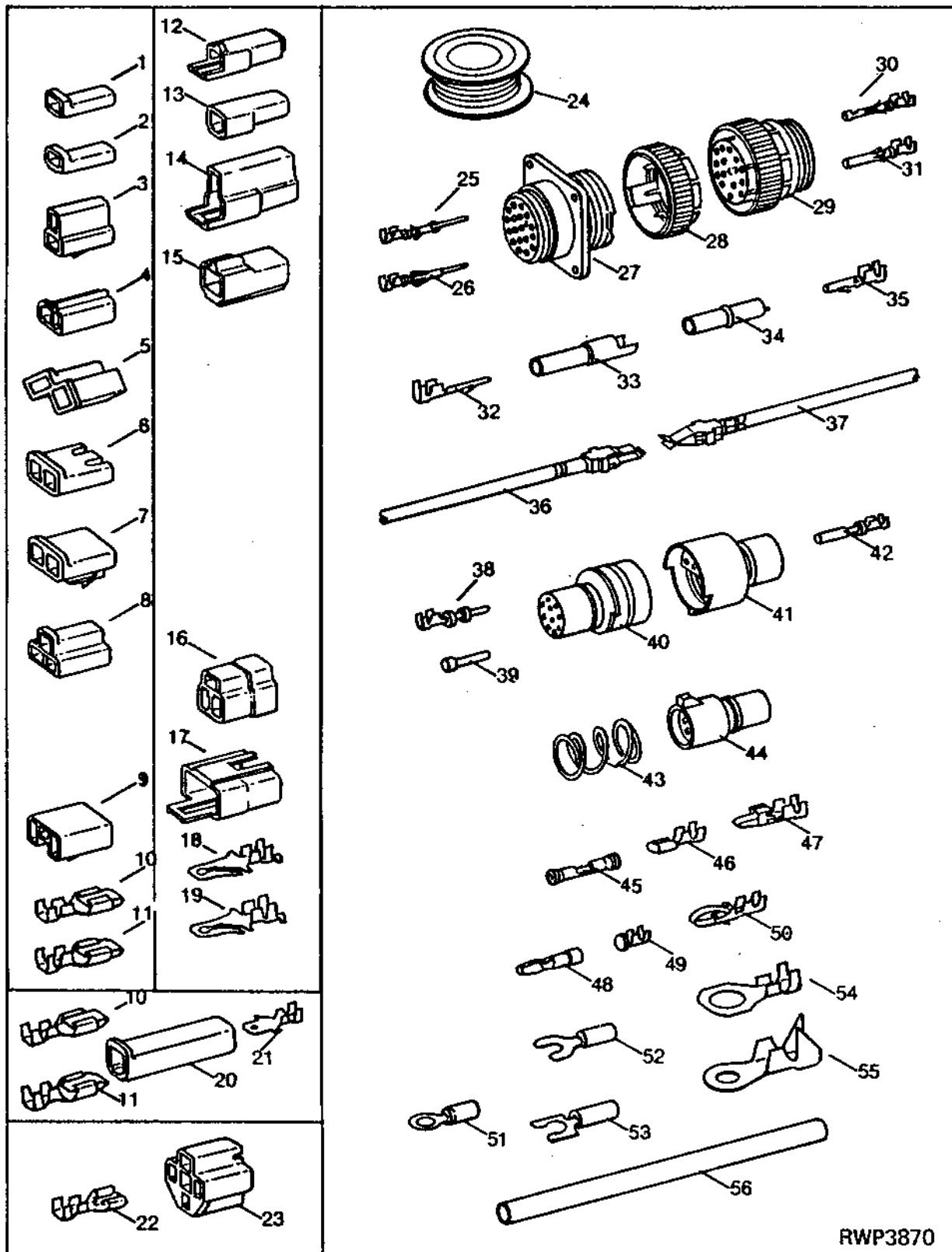
# 1G19

ELECTRICAL

## ELECTRICAL CONNECTOR SERVICE KIT - CONTINUED

RWP3870

-UN-01JAN94





## ELECTRICAL CONNECTOR SERVICE KIT - CONTINUED

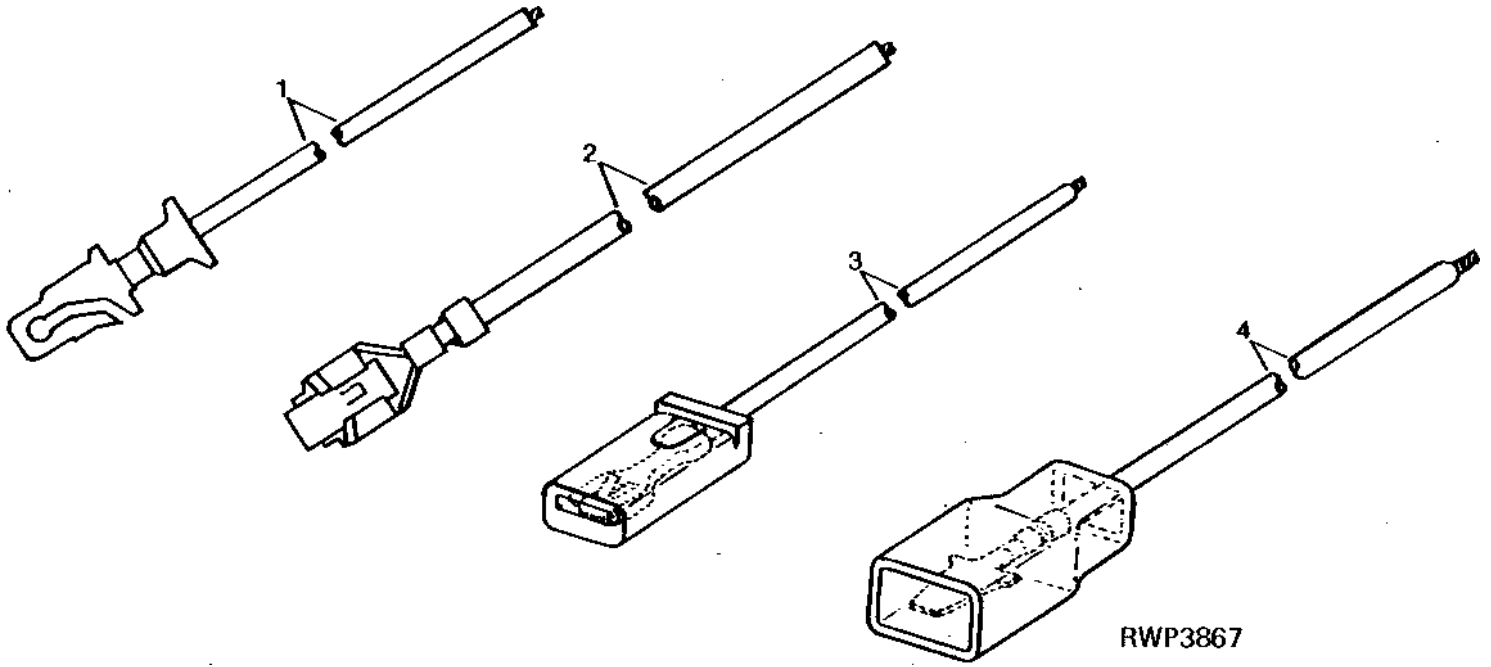
| KEY | PART NO. | PART NAME      | QTY | SERIAL NO. | REMARKS  |
|-----|----------|----------------|-----|------------|--|
| 42  | AR91793  | SOCKET CONTACT | 1   |            | PKG. OF 20   |
| 43  | R30378   | SPRING         | 1   |            | PKG. OF 10   |
| 44  | R77474   | CONNECTOR      | 1   |            | PKG. OF 2 (6 WAY)                                    |
| 45  | R77470   | TERMINAL       | 1   |            | SPLICE (PKG. OF 15)(16-18-20 OR 22 GA. WIRE)         |
|     | R77471   | TERMINAL       | 1   |            | PKG. OF 10 (10 OR 12 GA. WIRE) SPLICE                |
|     | R77472   | TERMINAL       | 1   |            | PKG. OF 2 (8 GA. WIRE) SPLICE                        |
|     | R77473   | TERMINAL       | 1   |            | PKG. OF 2 (6 GA. WIRE) SPLICE                        |
| 46  | R65607   | TERMINAL       | 1   |            | PKG. OF 10 (18 OR 20 GA. WIRE)                       |
| 47  | U46664   | TERMINAL       | 1   |            | PKG. OF 10 (14 OR 16 GA. WIRE)                       |
| 48  | R32026   | TERMINAL       | 1   |            | PKG. OF 20 (14 OR 16 GA. WIRE)                       |
| 49  | R65602   | SOCKET CONTACT | 1   |            | PKG. OF 10 (16 OR 18 GA. WIRE)                       |
| 50  | R70220   | TERMINAL       | 1   |            | PKG. OF 10 (18 OR 20 GA. WIRE)                       |
| 51  | R77489   | TERMINAL       | 1   |            | PKG. OF 20 (14-16-18 OR 20 GA. WIRE) (NO. 10 EYELET) |
|     | R77493   | TERMINAL       | 1   |            | PKG. OF 20 (10 OR 12 GA. WIRE)(NO. 10 EYELET)        |
|     | R77488   | TERMINAL       | 1   |            | PKG. OF 20 (14-16-18 OR 20 GA. WIRE) (3/8" EYELET)   |
|     | R77490   | TERMINAL       | 1   |            | PKG. OF 20 (10 OR 12 GA. WIRE)(1/2" EYELET)          |
| 52  | R77496   | TERMINAL       | 1   |            | PKG. OF 20 (14 OR 16 GA. WIRE)(NO. 8 SPADE)          |
|     | R77495   | TERMINAL       | 1   |            | PKG. OF 20 (18 GA. WIRE)(NO. 10 SPADE)               |
| 53  | R77497   | TERMINAL       | 1   |            | PKG. OF 20 (14 OR 16 GA. WIRE)(NO. 6 SPADE)          |
| 54  | R77491   | TERMINAL       | 1   |            | PKG. OF 20 (10 OR 12 GA. WIRE)(3/8" EYELET)          |
|     | R77492   | TERMINAL       | 1   |            | PKG. OF 20 (10 OR 12 GA. WIRE)(1/4" EYELET)          |
| 55  | R77494   | TERMINAL       | 1   |            | PKG. OF 20 (6 OR 8 GA. WIRE)(1/4" EYELET)            |
| 56  | R77502   | TUBE           | 1   |            | PKG. OF 8 (3/8")(HEAT SHRINK)                        |
|     | R77503   | TUBE           | 1   |            | PKG. OF 8 (3/16")(HEAT SHRINK)                       |
| 57  | RE11154  | KIT            | 1   |            |  |

# 1G21

ELECTRICAL

RWP3867 -UN-01JAN94

## SUPPLEMENTARY TERMINALS AND CONNECTORS



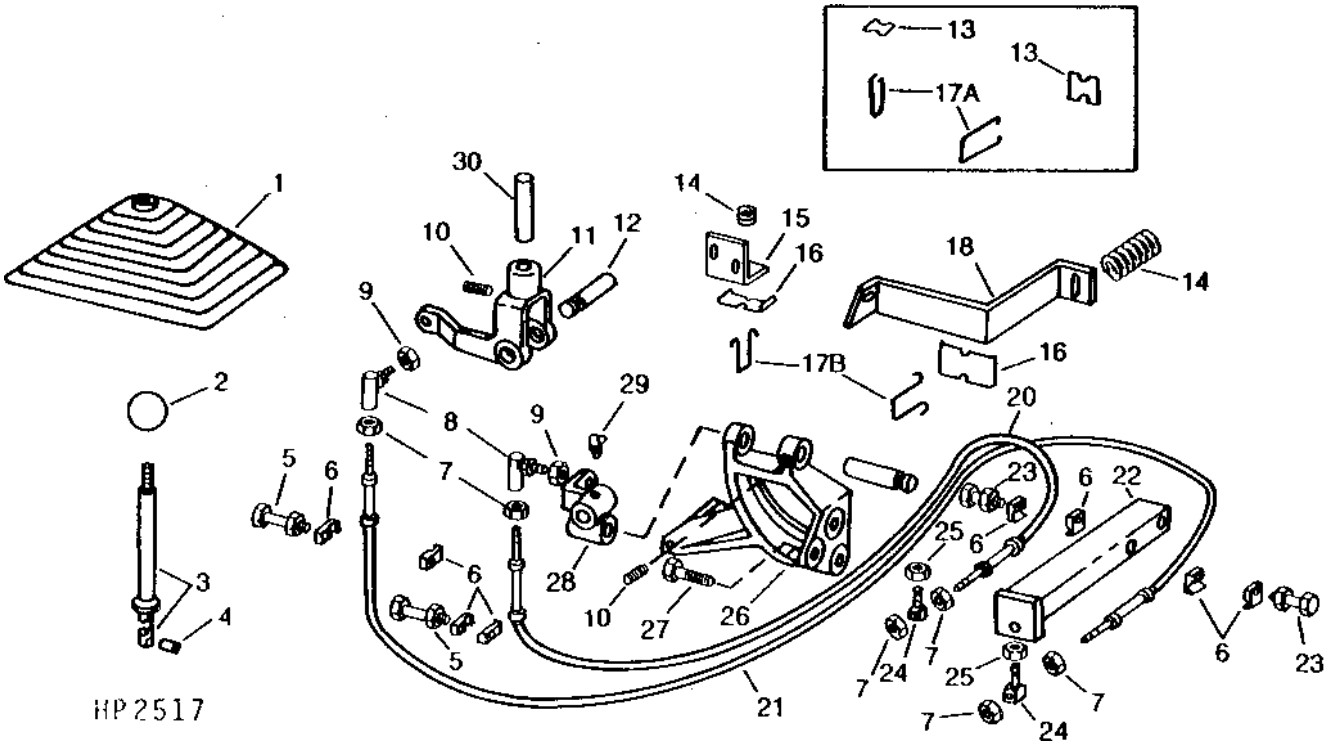
| KEY | PART NO. | PART NAME   | QTY | SERIAL NO. | REMARKS |
|-----|----------|-------------|-----|------------|---------|
| 1   | AR65005  | TERMINAL    | 1   |            |         |
| 2   | AR65006  | TERMINAL    | 1   |            |         |
| 3   | R32024   | WIRING LEAD | 1   |            |         |
| 4   | R32025   | WIRING LEAD | 1   |            |         |

# 1H3

POWER TRAIN

HP2517 -UN-01JAN94

## GEARSHIFT CONTROLS



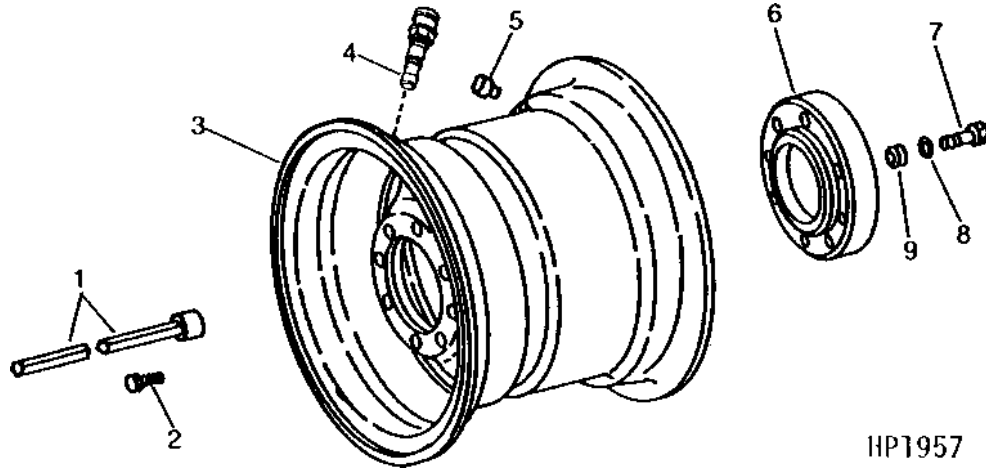
HP2517

| KEY | PART NO. | PART NAME           | QTY | SERIAL NO.    | REMARKS       |
|-----|----------|---------------------|-----|---------------|---------------|
| 1   | AH90543  | BOOT                | 1   |               |               |
| 2   | H93809   | KNOB                | 1   |               |               |
| 3   | AH93277  | LEVER               | 1   |               |               |
| 4   | 34H385   | SPRING PIN          | 1   | 1/4" X 1-3/4" |               |
| 5   | 19H1726  | CAP SCREW           | 2   | 3/8" X 2-1/4" |               |
|     | 14H812   | NUT                 | 2   | 3/8"          |               |
| 6   | H76869   | CLAMP               | 8   |               |               |
| 7   | 14H882   | NUT                 | 6   | 5/16"         |               |
| 8   | AH76556  | BALL JOINT          | 2   |               |               |
| 9   | 14H846   | NUT                 | 2   | 3/8"          |               |
| 10  | 22H835   | SET SCREW           | 2   | 5/16" X 1/2"  |               |
| 11  | H78001   | SHIFTER             | 1   |               |               |
| 12  | H77943   | PIN                 | 1   |               |               |
| 13  | H80153   | RETAINER            | 2   | -610550       | (SUB H122290) |
| 14  | R26151   | SPRING              | 2   |               |               |
| 15  | H78440   | BRACKET             | 1   |               | UPPER         |
| 16  | AH76765  | CLAMP               | 2   |               |               |
| 17A | H78437   | HOOK                | 2   | -610550       | (SUB H122290) |
| 17B | H122290  | HOOK                | 2   |               |               |
| 18  | H80811   | BRACKET             | 1   |               | LOWER         |
| 19  | H77938   | PIN                 | 1   |               |               |
| 20  | AH76769  | CABLE               | 1   |               |               |
| 21  | AH76767  | CABLE               | 1   |               |               |
| 22  | AH76764  | BRACKET             | 1   |               |               |
| 23  | 19H1765  | CAP SCREW           | 2   | 3/8" X 1-3/4" |               |
|     | 14H812   | NUT                 | 2   | 3/8"          |               |
| 24  | H76873   | PIVOT               | 2   |               |               |
| 25  | 14H785   | NUT                 | 2   | 5/16"         |               |
| 26  | H78002   | SUPPORT             | 1   |               |               |
| 27  | 19H1815  | CAP SCREW           | 3   | 1/2" X 1-1/4" |               |
|     | 12H301   | LOCK WASHER         | 3   | 1/2"          |               |
| 28  | H85401   | SHIFT COLLAR        | 1   |               |               |
| 29  | JD7806   | LUBRICATION FITTING | 1   | 90°, 1/4"     |               |
| 30  | H89272   | BUMPER              | 1   |               |               |

# 1H4

HP1957 -UN-01JAN94

## DRIVE WHEEL AND SPACERS

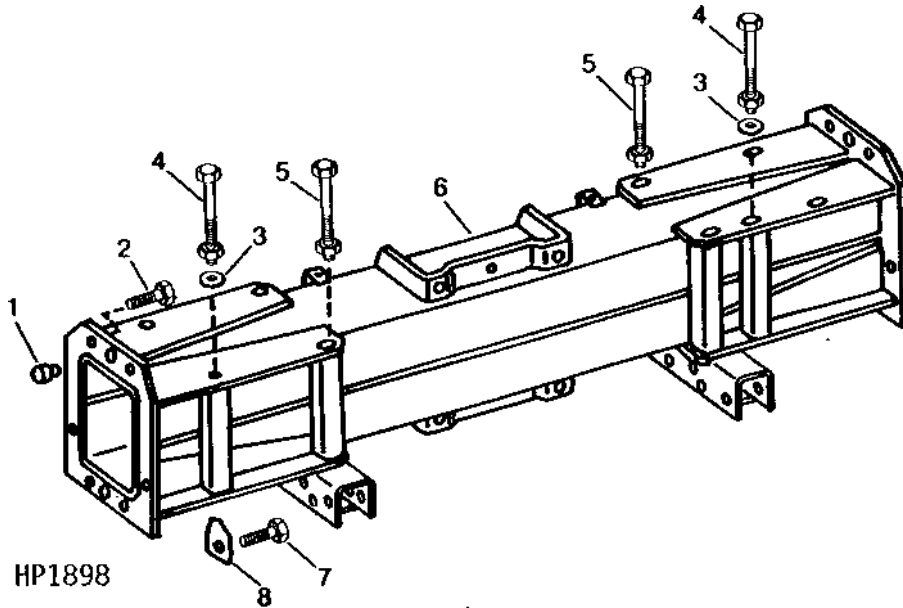


| KEY | PART NO. | PART NAME       | QTY | SERIAL NO. | REMARKS   |
|-----|----------|-----------------|-----|------------|---|
| 1   | AH79764  | SOCKET          | 1   |            |   |
|     | AH79765  | SOCKET          | 1   |            | (HEAVY-DUTY FINAL DRIVE)  |
| 2   | H86160   | SCREW           | 16  | -550000    | (USE WITHOUT SPACERS) (HEAVY-DUTY FINAL DRIVE) (SUB H86161, THIS APPLICATION) |
|     | H86160   | SCREW           | 16  | -500000    | (USE WITH 18.4-26 TIRES)  |
|     | H86161   | BOLT            | 16  |            | (USE WITHOUT SPACERS) (HEAVY-DUTY FINAL DRIVE)                                |
|     | H86162   | BOLT            | 16  |            | (USE WITH 51 MM (2") WHEEL SPACERS) (HEAVY-DUTY FINAL DRIVE)                  |
|     | H86164   | SCREW           | 16  |            | (USE WITH 102 MM (4") WHEEL SPACERS) (HEAVY-DUTY FINAL DRIVE)                 |
| 3   | AH76709  | WHEEL           | 2   |            | (USE WITH 16.9-26 TIRES)  |
|     | AH84636  | WHEEL           | 2   | -500000    | (USE WITH 18.4-26 TIRES) (HEAVY-DUTY FINAL DRIVE)                             |
|     | AH87873  | WHEEL           | 2   | -550000    | (SUB AH108503)  |
|     | AH108503 | WHEEL           | 2   |            | (USE WITH 23.1-26 TIRES) (HEAVY-DUTY FINAL DRIVE)                             |
|     | AH88520  | WHEEL           | 2   |            | (USE WITH 16.9-26 TIRES) (HEAVY-DUTY FINAL DRIVE)                             |
| 4   | AT25226  | TIRE VALVE STEM | 2   |            |   |
| 5   | AH86866  | PLUG            | 2   |            | (USE WITH 16.9-26, 18.4-26, AND 23.1-26 TUBELESS TIRES)                       |
| 6   | H77644   | SPACER          | 2   |            | (HEAVY-DUTY FINAL DRIVE)  |
|     | H77645   | SPACER          | 2   |            | (HEAVY-DUTY FINAL DRIVE)  |
| 7   | 19H1824  | CAP SCREW       | 4   |            | 5/8" X 2-1/4", (USED WITH WHEEL SPACERS)                                      |
| 8   | 24H1367  | WASHER          | 4   |            | 21/32" X 1-1/4" X 1/4", (USED WITH WHEEL SPACERS)                             |
| 9   | P50273   | BUSHING         | 4   |            | (USE WITH WHEEL SPACERS)  |

# 1H5

HP1898 -UN-01JAN94

DRIVE WHEEL AXLE



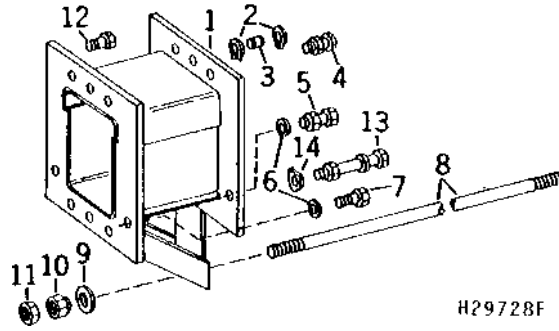
| KEY | PART NO. | PART NAME   | QTY | SERIAL NO.               | REMARKS |
|-----|----------|-------------|-----|--------------------------|---------|
| 1   | H75423   | PIN         | 4   |                          |         |
| 2   | 19H1798  | CAP SCREW   | 8   | 3/4" X 1-3/4"            |         |
| 3   | 24H1399  | WASHER      | 4   | 25/32" X 1-5/8" X 0.180" |         |
| 4   | 08H4423  | CAP SCREW   | 4   | 3/4" X 9"                |         |
|     | 12H236   | LOCK WASHER | 4   | 3/4"                     |         |
|     | 14H794   | NUT         | 4   | 3/4"                     |         |
| 5   | 08H4525  | CAP SCREW   | 4   | 3/4" X 9-1/2"            |         |
|     | 12H236   | LOCK WASHER | 4   | 3/4"                     |         |
|     | 14H794   | NUT         | 4   | 3/4"                     |         |
| 6   | AH75132  | FRONT AXLE  | 1   | -550000                  |         |
|     | AH112365 | FRONT AXLE  | 1   | 550001-                  |         |
| 7   | 19H2174  | CAP SCREW   | 4   | 3/4" X 4-1/4"            |         |
| 8   | H80107   | STRAP       | 4   |                          |         |

# 1H6

POWER TRAIN

H29728F -UN-01JAN94

## AXLE SPACERS

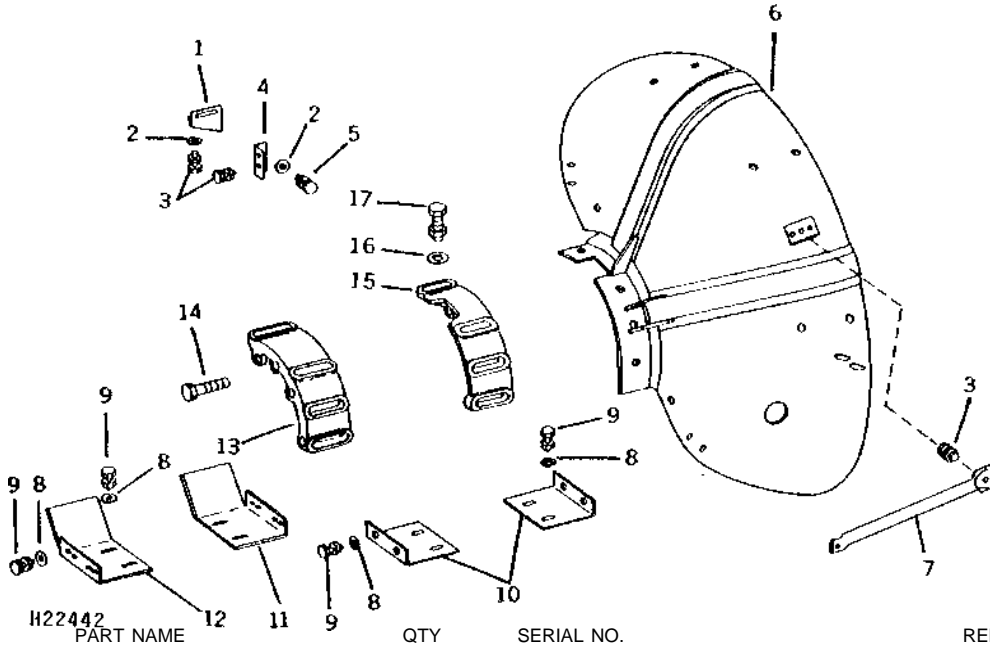


| KEY | PART NO. | PART NAME   | QTY | SERIAL NO.            | REMARKS |
|-----|----------|-------------|-----|-----------------------|---------|
| 1   | AH95999  | SPACER      | 2   |                       |         |
| 2   | M1871T   | SNAP RING   | 8   |                       |         |
| 3   | H85200   | PIN         | 4   |                       |         |
| 4   | 19H1768  | CAP SCREW   | 8   | 3/4" X 2"             |         |
|     | 14H794   | NUT         | 8   | 3/4"                  |         |
| 5   | 19H1862  | CAP SCREW   | 4   | 3/4" X 2-1/2"         |         |
|     | 14H794   | NUT         | 4   | 3/4"                  |         |
| 6   | H78426   | BUSHING     | 16  |                       |         |
| 7   | 19H1768  | CAP SCREW   | 4   | 3/4" X 2"             |         |
| 8   | H94343   | STUD        | 1   | (USE WITH 8" SPACERS) |         |
| 9   | H105579  | SPACER      | 2   |                       |         |
| 10  | H61941   | NUT         | 2   |                       |         |
| 11  | 14H876   | NUT         | 2   | 1"                    |         |
| 12  | 19H1798  | CAP SCREW   | 4   | 3/4" X 1-3/4"         |         |
| 13  | 19H2084  | CAP SCREW   | 4   | 3/4" X 4-1/2"         |         |
|     | 12H236   | LOCK WASHER | 20  | 3/4"                  |         |
| 14  | H80107   | STRAP       | 4   |                       |         |

# 1H7

H22442 -UN-01JAN94

## FENDERS (RIGHT-HAND ILLUSTRATED)

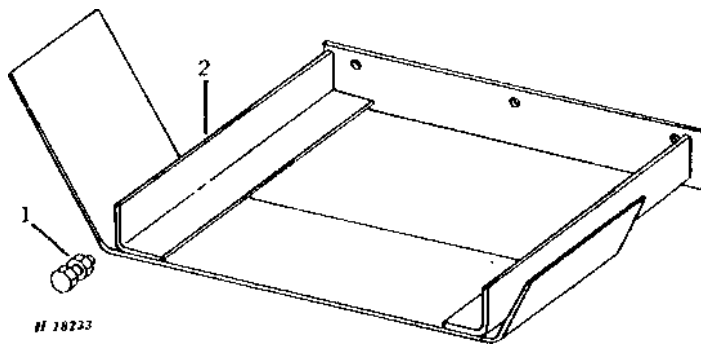


| KEY | PART NO. | PART NAME   | QTY | SERIAL NO.                | REMARKS |
|-----|----------|-------------|-----|---------------------------|---------|
| 1   | H80993   | BRACKET     | 1   | L.H.                      |         |
| 2   | 24H1305  | WASHER      | 8   | 13/32" X 13/16" X 0.065"  |         |
| 3   | 19H1731  | CAP SCREW   | 5   | 3/8" X 1"                 |         |
|     | 14H812   | NUT         | 5   | 3/8"                      |         |
| 4   | H82157   | BRACKET     | 1   | L.H.                      |         |
| 5   | 19H1800  | CAP SCREW   | 1   | 3/8" X 1-1/2"             |         |
|     | 14H812   | NUT         | 1   | 3/8"                      |         |
| 6   | AH77858  | FENDER      | 1   | L.H.                      |         |
|     | AH77859  | FENDER      | 1   | R.H.                      |         |
| 7   | H80995   | BRACE       | 1   | R.H.                      |         |
| 8   | 24H1136  | WASHER      | 16  | 11/32" X 11/16" X 0.065"  |         |
| 9   | 19H2127  | CAP SCREW   | 12  | 5/16" X 7/8"              |         |
|     | 14H785   | NUT         | 12  | 5/16"                     |         |
| 10  | H79934   | SHIELD      | 2   | R.H.                      |         |
| 11  | H84620   | SHIELD      | 1   | INNER, L.H.               |         |
| 12  | H84621   | SHIELD      | 1   | OUTER, L.H.               |         |
| 13  | H80708   | SUPPORT     | 1   | L.H.                      |         |
| 14  | 19H1974  | CAP SCREW   | 8   | 1/2" X 2-3/4"             |         |
| 15  | H80707   | SUPPORT     | 1   | R.H.                      |         |
| 16  | 24H1111  | WASHER      | 8   | 17/32" X 1-1/16" X 0.090" |         |
| 17  | 19H1777  | CAP SCREW   | 8   | 1/2" X 1-3/4"             |         |
|     | 12H301   | LOCK WASHER | 8   | 1/2"                      |         |
|     | 14H1040  | NUT         | 8   | 1/2"                      |         |

# 1H8

H18233 -UN-01JAN94

## TRANSMISSION SHEAVE GUARD



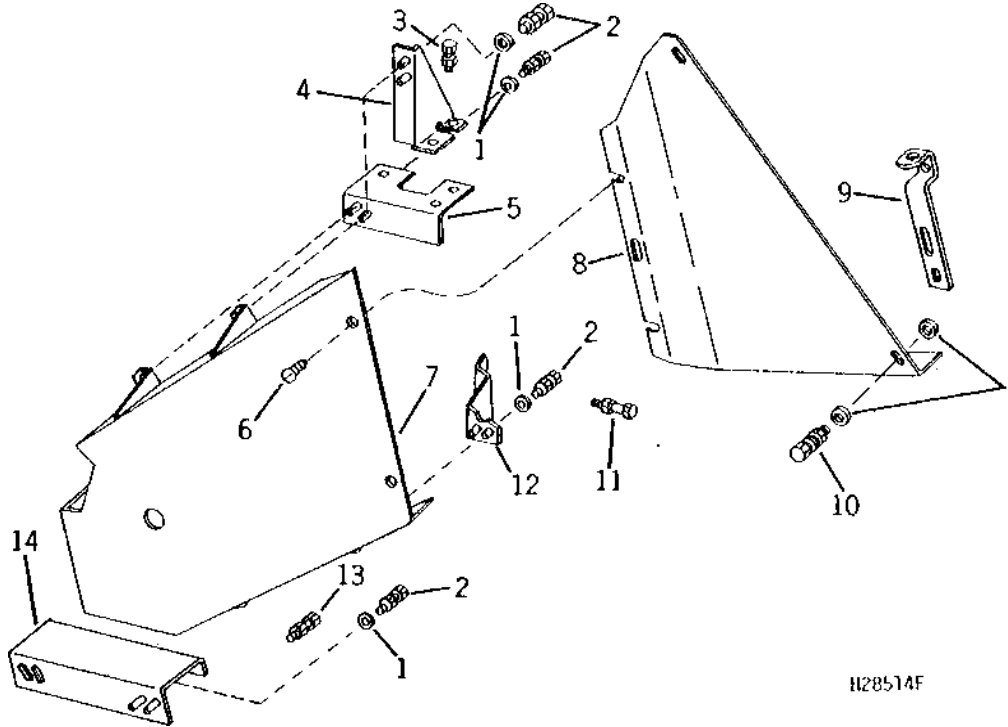
| KEY | PART NO. | PART NAME | QTY | SERIAL NO. | REMARKS |
|-----|----------|-----------|-----|------------|---------|
| 1   | 19H1905  | CAP SCREW | 3   | 5/16" X 1" |         |
|     | 14H785   | NUT       | 3   | 5/16"      |         |
| 2   | AH78913  | GUARD     | 1   |            |         |



# 1H9

H28514F -UN-01JAN94

## TRANSMISSION DRIVE MUD SHIELD

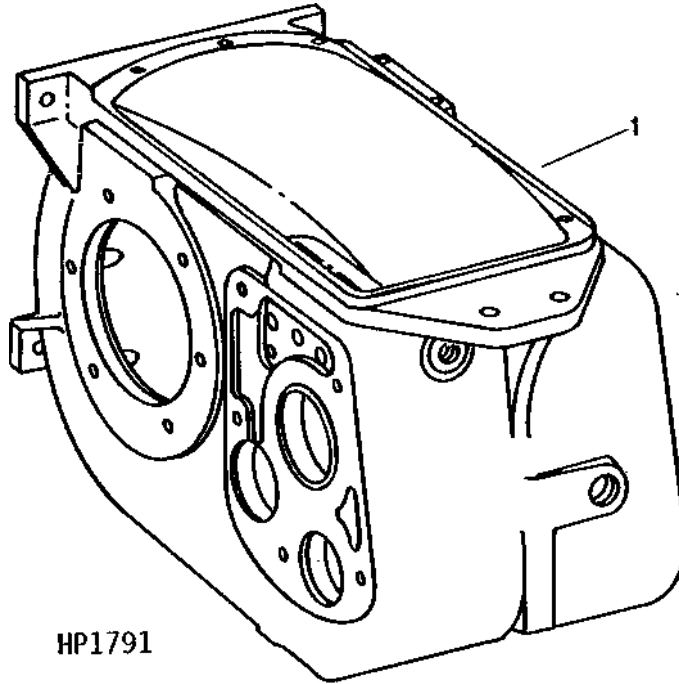


| KEY | PART NO. | PART NAME   | QTY | SERIAL NO.               | REMARKS |
|-----|----------|-------------|-----|--------------------------|---------|
| 1   | 24H1305  | WASHER      | 9   | 13/32" X 13/16" X 0.065" |         |
| 2   | 03H1707  | BOLT        | 5   | 3/8" X 1"                |         |
| 3   | 19H2552  | CAP SCREW   | 3   | 3/8" X 1-1/8"            |         |
|     | 12H304   | LOCK WASHER | 3   | 3/8"                     |         |
|     | 14H812   | NUT         | 3   | 3/8"                     |         |
| 4   | H94810   | BRACKET     | 1   | UPPER FRONT              |         |
| 5   | H94811   | BRACKET     | 1   | LOWER FRONT              |         |
| 6   | H77932   | SCREW       | 2   | SELF-LOCKING             |         |
| 7   | AH99677  | SHIELD      | 1   | (WITHOUT FENDERS)        |         |
| 8   | H89774   | SHIELD      | 1   | COUNTERSHAFT             |         |
| 9   | H94555   | BRACKET     | 1   | (WITH FENDERS)           |         |
| 10  | 19H2284  | CAP SCREW   | 2   | 3/8" X 7/8"              |         |
|     | 12H304   | LOCK WASHER | 2   | 3/8"                     |         |
|     | 14H812   | NUT         | 2   | 3/8"                     |         |
| 11  | 19H1733  | CAP SCREW   | 2   | 3/8" X 2-1/2"            |         |
|     | 12H304   | LOCK WASHER | 2   | 3/8"                     |         |
|     | 14H812   | NUT         | 2   | 3/8"                     |         |
| 12  | H94812   | BRACKET     | 1   | REAR                     |         |
| 13  | 19H1905  | CAP SCREW   | 3   | 5/16" X 1"               |         |
|     | 14H785   | NUT         | 3   | 5/16"                    |         |
| 14  | H94813   | BRACKET     | 1   | LOWER                    |         |

# 1H10

HP1791 -UN-01JAN94

## TRANSMISSION



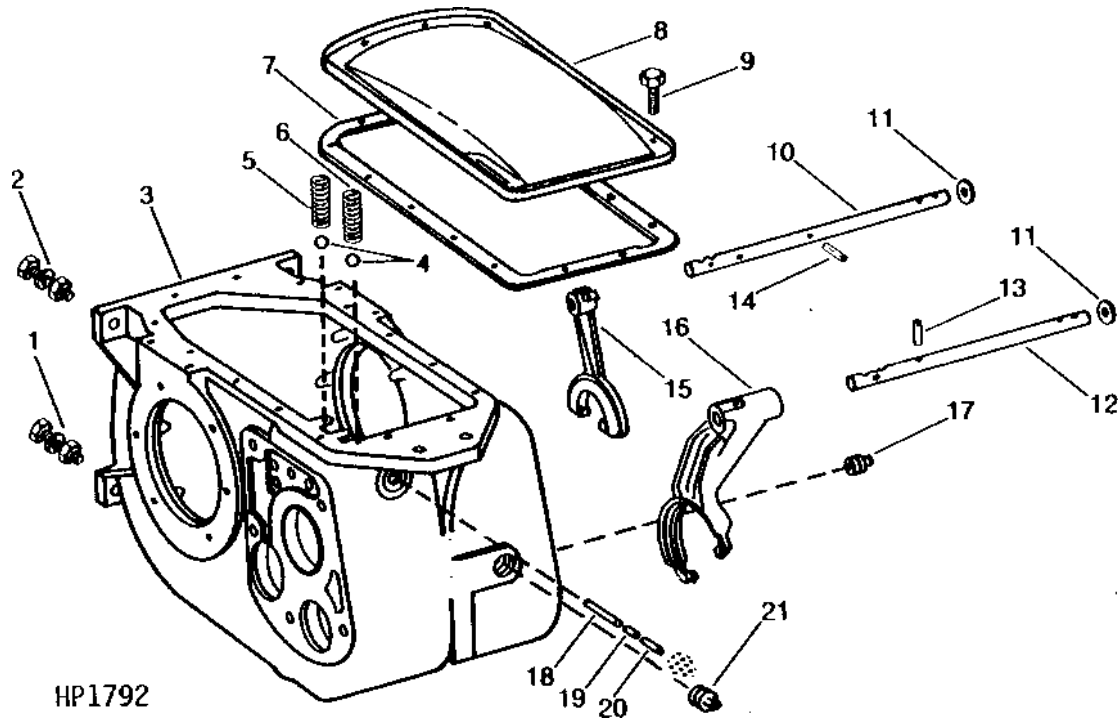
HP1791

| KEY | PART NO. | PART NAME    | QTY | SERIAL NO. | REMARKS  |
|-----|----------|--------------|-----|------------|--|
| 1   | AH99563  | TRANSMISSION | 1   | -550000    | (LESS BRAKES) (COMPLETE COMPONENT) (DEALER RECONDITIONED) (SUB AH113961) |
|     | AH113961 | TRANSMISSION | 1   |            | (LESS BRAKES) (COMPLETE COMPONENT)                                       |

# 1H11

TRANSMISSION AND DIFFERENTIAL CASE, COVER, SHIFTER RAILS AND FORKS

HP1792 -UN-01JAN94

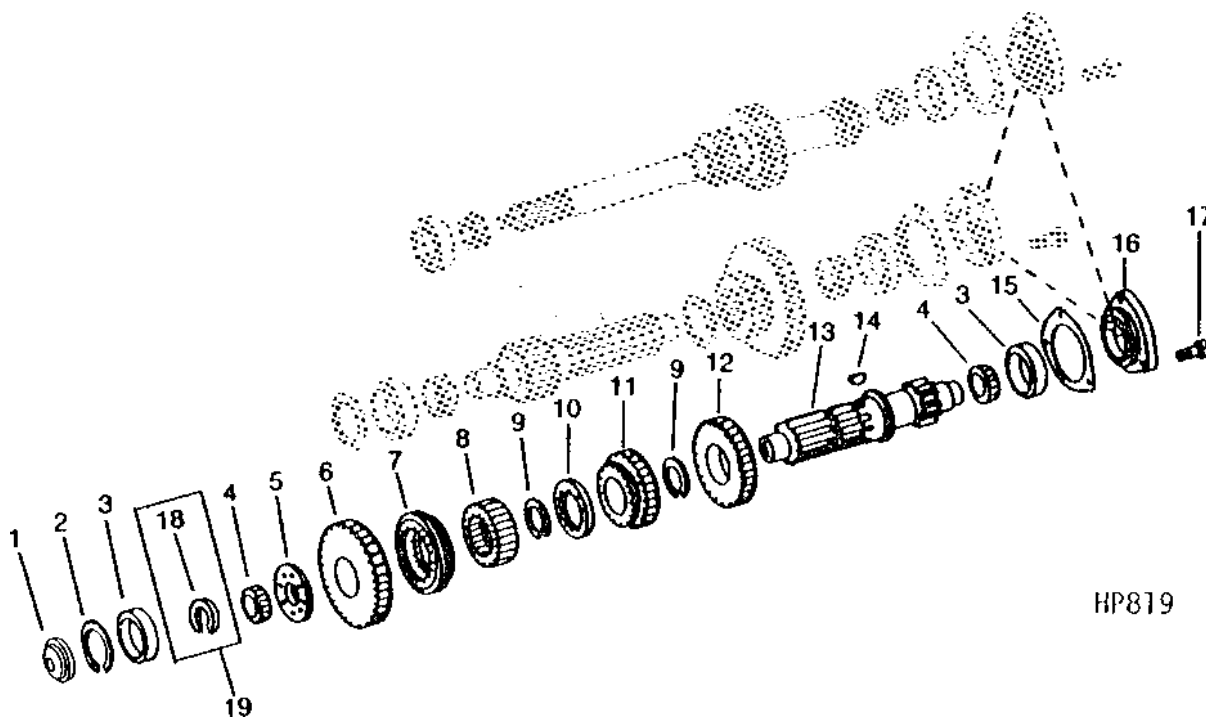


| KEY | PART NO. | PART NAME         | QTY | SERIAL NO. | REMARKS               |
|-----|----------|-------------------|-----|------------|-----------------------|
| 1   | 19H2644  | CAP SCREW         | 2   |            |                       |
|     | 12H301   | LOCK WASHER       | 2   |            | 1/2" X 2-1/2"         |
|     | 14H1040  | NUT               | 2   |            | 1/2"                  |
| 2   | H84229   | BOLT              | 2   |            |                       |
|     | 12H301   | LOCK WASHER       | 2   |            | 1/2"                  |
|     | 14H1040  | NUT               | 2   |            | 1/2"                  |
| 3   | H84231   | TRANSMISSION CASE | 1   |            |                       |
| 4   | 405R     | BALL              | 2   |            |                       |
| 5   | H75251   | SPRING            | 1   |            | 48 MM (1-29/32") LONG |
| 6   | H75252   | SPRING            | 1   |            | 42 MM (1-21/32") LONG |
| 7   | P48666   | GASKET            | 1   |            |                       |
| 8   | H75249   | COVER             | 1   |            |                       |
| 9   | 19H1813  | CAP SCREW         | 14  |            | 5/16" X 5/8"          |
| 10  | H75254   | RAIL              | 1   |            |                       |
| 11  | AP19599  | SEAL              | 2   |            |                       |
| 12  | H75255   | RAIL              | 1   |            |                       |
| 13  | 34H298   | SPRING PIN        | 1   |            | 7/32" X 1-1/8"        |
| 14  | 34H301   | SPRING PIN        | 1   |            | 7/32" X 1-1/2"        |
| 15  | PK1826H  | FORK              | 1   |            |                       |
| 16  | H11479   | FORK              | 1   |            |                       |
| 17  | AH18240  | HOSE FITTING      | 1   |            |                       |
| 18  | H33500   | COTTER PIN        | 1   |            |                       |
| 19  | H30266   | PIN               | 1   |            |                       |
| 20  | H75813   | PIN               | 1   |            |                       |
| 21  | 15H585   | PIPE PLUG         | 1   |            | 3/4"                  |

# 1H12

HP819 -UN-01JAN94

## TRANSMISSION COUNTERSHAFT AND GEARS



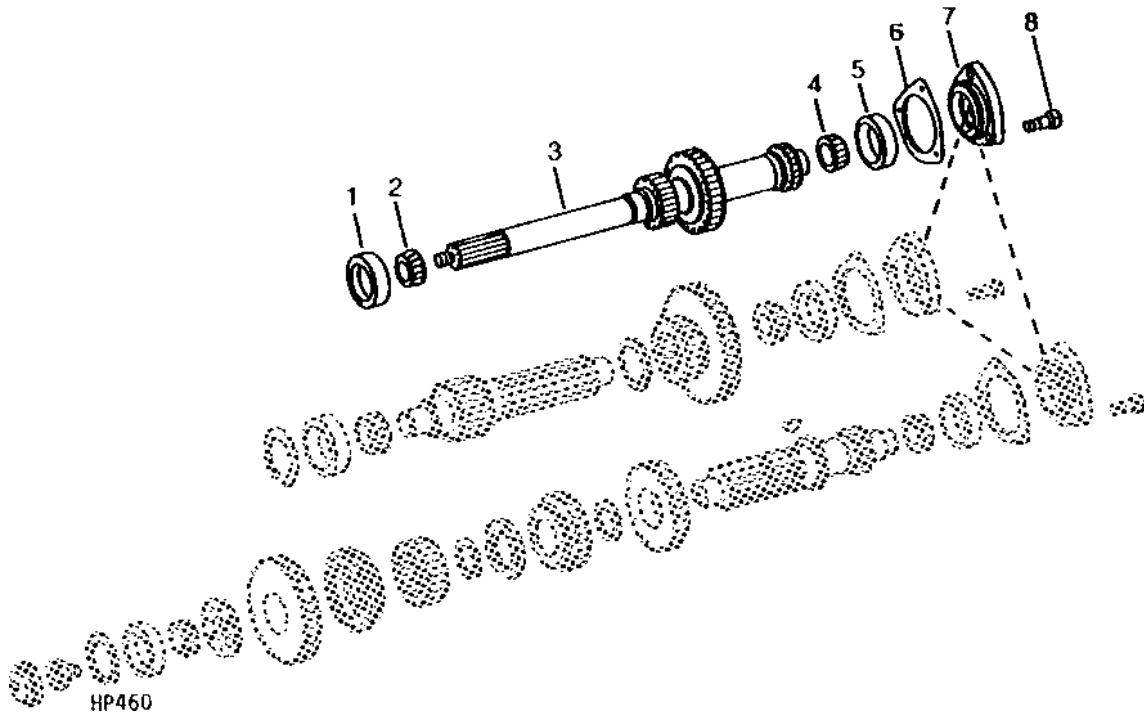
| KEY | PART NO. | PART NAME     | QTY | SERIAL NO. | REMARKS                         |
|-----|----------|---------------|-----|------------|---------------------------------|
| 1   | H64037   | SHIELD        | 1   |            |                                 |
| 2   | P42669   | RING          | 1   |            |                                 |
| 3   | JD7449   | BEARING CUP   | 2   |            |                                 |
| 4   | JD8134   | BEARING CONE  | 2   |            |                                 |
| 5   | H35906   | WASHER        | 1   |            |                                 |
| 6   | H75180   | GEAR          | 1   |            | 34 TEETH                        |
| 7   | H82165   | SYNCHRONIZER  | 1   |            |                                 |
| 8   | R26255   | GEAR          | 1   |            | SHIFTER                         |
| 9   | R26266   | SNAP RING     | 2   |            |                                 |
| 10  | R26253   | THRUST WASHER | 1   | -500000    | (SUB H103167, THIS APPLICATION) |
|     | H103167  | WASHER        | 1   |            |                                 |
| 11  | H75179   | GEAR          | 1   |            | 26 TEETH                        |
| 12  | H33491   | GEAR          | 1   |            | HIGH-RANGE                      |
| 13  | H87445   | COUNTERSHAFT  | 1   |            |                                 |
| 14  | 26H23    | SHAFT KEY     | 1   |            | 5/16" X 1"                      |
| 15  | P49116   | SHIM          | 1   |            | 0.05 MM (.002") (RED PLASTIC)   |
|     | P48652   | SHIM          | 1   |            | 0.08 MM (.003") (GREEN PLASTIC) |
|     | P49117   | SHIM          | 1   |            | 0.13 MM (.005) (STEEL)          |
|     | P49118   | SHIM          | 1   |            | 0.25 MM (.010") (STEEL)         |
|     | P49119   | SHIM          | 1   |            | 0.51 MM (.020") (STEEL)         |
| 16  | H89510   | CRADLE        | 1   |            |                                 |
| 17  | 19H1821  | CAP SCREW     | 3   |            | 7/16" X 1-1/4"                  |
| 18  | .....    | SNAP RING     | 1   |            | 1.93 MM (.076") (KIT AH90493)   |
|     | .....    | SNAP RING     | 1   |            | 2.01 MM (.079") (KIT AH90493)   |
|     | .....    | SNAP RING     | 1   |            | 2.08 MM (.082") (KIT AH90493)   |
|     | .....    | SNAP RING     | 1   |            | 2.16 MM (.085") (KIT AH90493)   |
|     | .....    | SNAP RING     | 1   |            | 2.24 MM (.088") (KIT AH90493)   |
|     | .....    | SNAP RING     | 1   |            | 2.31 MM (.091") (KIT AH90493)   |
|     | .....    | SNAP RING     | 1   |            | 2.39 MM (.094") (KIT AH90493)   |
| 19  | AH90493  | KIT           | 1   |            | RING SNAP                       |

# 1H13

POWER TRAIN

HP460 -UN-01JAN94

## TRANSMISSION INPUT SHAFT

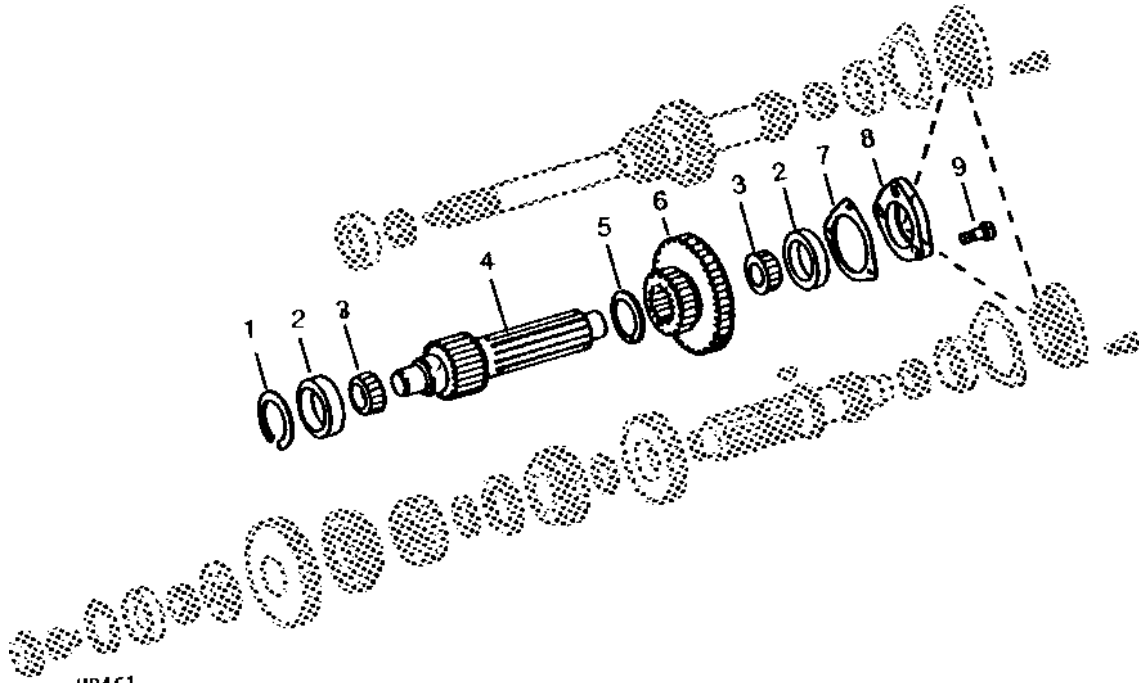


| KEY | PART NO. | PART NAME    | QTY | SERIAL NO. | REMARKS                         |
|-----|----------|--------------|-----|------------|---------------------------------|
| 1   | JD7409   | BEARING CUP  | 1   |            |                                 |
| 2   | JD7207   | BEARING CONE | 1   |            |                                 |
| 3   | H33495   | SHAFT        | 1   |            |                                 |
| 4   | JD8134   | BEARING CONE | 1   |            |                                 |
| 5   | JD7449   | BEARING CUP  | 1   |            |                                 |
| 6   | P49116   | SHIM         | 1   |            | 0.05 MM (.002") (RED PLASTIC)   |
|     | P48652   | SHIM         | 1   |            | 0.08 MM (.003") (GREEN PLASTIC) |
|     | P49117   | SHIM         | 1   |            | 0.13 MM (.005") (STEEL)         |
|     | P49118   | SHIM         | 1   |            | 0.25 MM (.010") (STEEL)         |
|     | P49119   | SHIM         | 1   |            | 0.51 MM (.020") (STEEL)         |
| 7   | H89510   | CRADLE       | 1   |            |                                 |
| 8   | 19H1821  | CAP SCREW    | 3   |            | 7/16" X 1-1/4"                  |

# 1H14

HP461 -UN-01JAN94

## DIFFERENTIAL PINION SHAFT AND GEARS



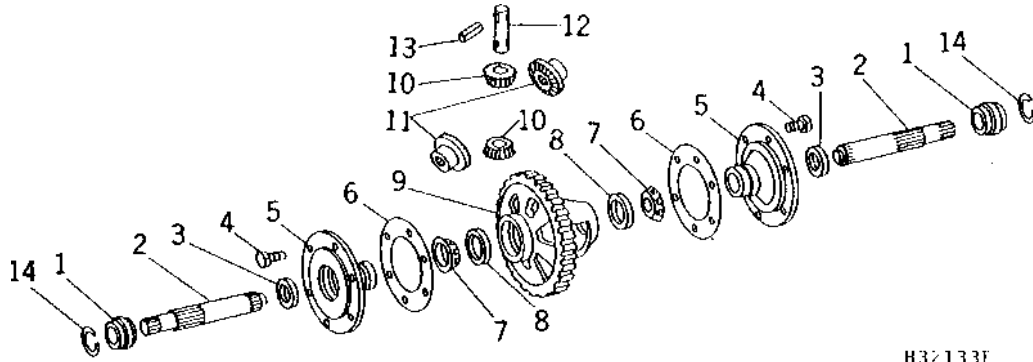
HP461

| KEY | PART NO. | PART NAME               | QTY | SERIAL NO. | REMARKS                         |
|-----|----------|-------------------------|-----|------------|---------------------------------|
| 1   | P46356   | RING                    | 1   |            |                                 |
| 2   | JD7424   | BEARING CUP             | 2   |            |                                 |
| 3   | JD8100   | BEARING CONE            | 2   |            |                                 |
| 4   | H80357   | PINION SHAFT            | 1   |            |                                 |
| 5   | H32300   | SNAP RING               | 1   |            |                                 |
| 6   | H32057   | GEAR                    | 1   |            | LOW-RANGE                       |
| 7   | P49116   | SHIM                    | 1   |            | 0.05 MM (.002") (RED PLASTIC)   |
|     | P48652   | SHIM                    | 1   |            | 0.08 MM (.003") (GREEN PLASTIC) |
|     | P49117   | SHIM                    | 1   |            | 0.13 MM (.005") (STEEL)         |
|     | P49118   | SHIM                    | 1   |            | 0.25 MM (.010") (STEEL)         |
|     | P49119   | SHIM                    | 1   |            | 0.51 MM (.020") (STEEL)         |
| 8   | H11013   | PRESSED FLANGED HOUSING | 1   |            |                                 |
| 9   | 19H1821  | CAP SCREW               | 3   |            | 7/16" X 1-1/4"                  |

# 1H15

H32133F -UN-01JAN94

## DIFFERENTIAL GEARS, SHAFTS, AND BEARINGS



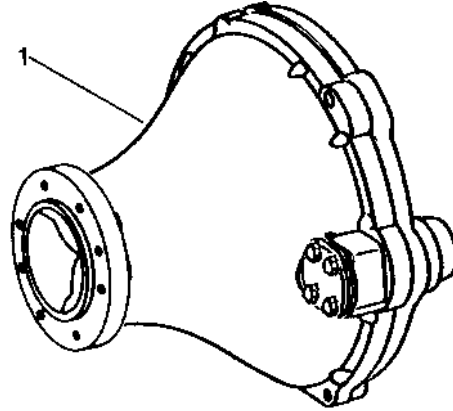
| KEY | PART NO. | PART NAME                   | QTY | SERIAL NO.                      | H32133F<br>REMARKS |
|-----|----------|-----------------------------|-----|---------------------------------|--------------------|
| 1   | JD9213   | BALL BEARING                | 2   |                                 |                    |
| 2   | H98364   | SHAFT                       | 2   |                                 |                    |
| 3   | AH19842  | SEAL                        | 2   |                                 |                    |
| 4   | 19H1815  | CAP SCREW                   | 6   | 1/2" X 1-1/4"                   |                    |
|     | 12H301   | LOCK WASHER                 | 6   | 1/2"                            |                    |
| 5   | H11321   | BEARING HOUSING W/O BEARING | 2   |                                 |                    |
| 6   | P49128   | SHIM                        | AR  | 0.05 MM (.002") (RED PLASTIC)   |                    |
|     | P48658   | SHIM                        | AR  | 0.08 MM (.003") (GREEN PLASTIC) |                    |
|     | P49129   | SHIM                        | AR  | 0.13 MM (.005") (STEEL)         |                    |
|     | P49130   | SHIM                        | AR  | 0.25 MM (.010") (STEEL)         |                    |
|     | P49131   | SHIM                        | AR  | 0.51 MM (.020") (STEEL)         |                    |
| 7   | JD8147   | BEARING CONE                | 2   |                                 |                    |
| 8   | JD7425   | BEARING CUP                 | 2   |                                 |                    |
| 9   | AH19836  | GEAR                        | 1   |                                 | DIFFERENTIAL       |
| 10  | R26103   | PINION                      | 2   |                                 |                    |
| 11  | R26102   | BEVEL GEAR                  | 2   |                                 | BEVEL              |
| 12  | H30939   | PINION SHAFT                | 1   |                                 |                    |
| 13  | 34H336   | SPRING PIN                  | 1   | 5/16" X 2-1/4"                  |                    |
| 14  | P46407   | SNAP RING                   | 2   |                                 |                    |

# 1H16

POWER TRAIN

HP1948 -UN-01JAN94

FINAL DRIVE



HP1948

| KEY | PART NO. | PART NAME | QTY | SERIAL NO. | REMARKS  |
|-----|----------|-----------|-----|------------|--|
| 1   | AH104872 | DRIVE     | 1   |            | (HEAVY-DUTY, 13 TO 89 RATIO)(COMPLETE COMPONENT)(REMANUFACTURED) |

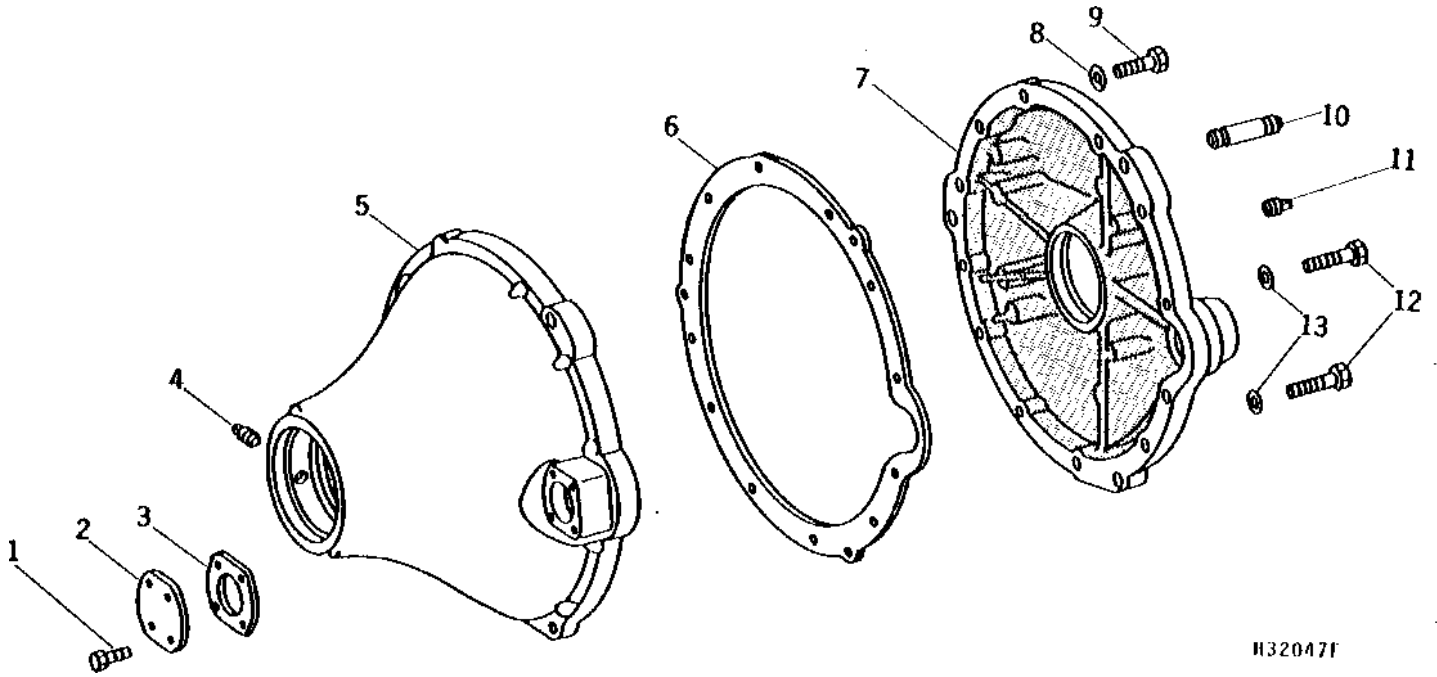
NOTE: QUANTITIES SHOWN ARE FOR ONE UNIT. TWO UNITS USED PER MACHINE.



# 1H17

H32047F -UN-01JAN94

## FINAL DRIVE HOUSING AND BEARING CAP



H32047F

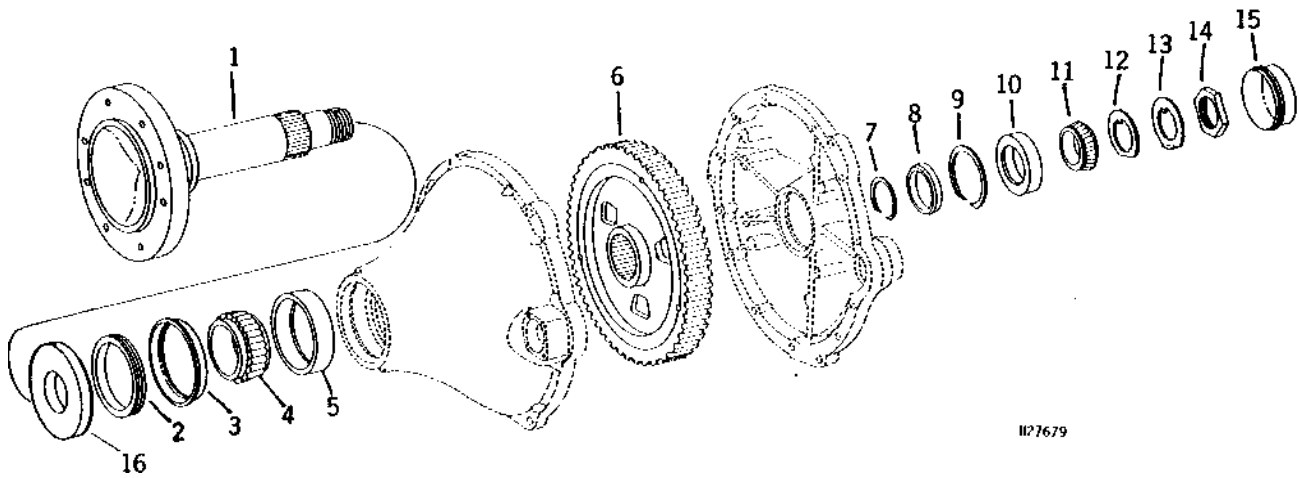
| KEY | PART NO. | PART NAME   | QTY | SERIAL NO.                                      | REMARKS |
|-----|----------|-------------|-----|---|---------|
| 1   | 19H1732  | CAP SCREW   | 4   | 3/8" X 1-1/4"                                   |         |
| 2   | H85354   | CAP         | 1   | (HEAVY-DUTY FINAL DRIVE)                        |         |
| 3   | H75711   | SHIM        | AR  | PLASTIC, 0.05 MM (.002")                        |         |
|     | H75712   | SHIM        | AR  | PLASTIC, 0.08 MM (.003")                        |         |
|     | H75713   | SHIM        | AR  | PLASTIC, 0.13 MM (.005")                        |         |
|     | H75714   | SHIM        | AR  | STEEL, 0.25 MM (.010")                          |         |
|     | H75715   | SHIM        | AR  | STEEL, 0.51 MM (.020")                          |         |
| 4   | 15H558   | PIPE PLUG   | 1   | 1/8"  |         |
| 5   | H94883   | HOUSING     | 1   | OUTER, (HEAVY-DUTY FINAL DRIVE; 13 TO 89 RATIO) |         |
| 6   | H75244   | GASKET      | 1   |   |         |
| 7   | H86902   | HOUSING     | 1   | INNER, (HEAVY-DUTY FINAL DRIVE; 13 TO 89 RATIO) |         |
| 8   | H75716   | LOCK WASHER | 2   |   |         |
| 9   | 19H1831  | CAP SCREW   | 2   | 1/2" X 2"                                       |         |
| 10  | H95027   | PIN         | 3   |   |         |
| 11  | P46369   | FITTING     | 1   |   |         |
|     | 15H584   | PIPE PLUG   | 1   | 1/2"  |         |
| 12  | 19H1805  | CAP SCREW   | 10  | 1/2" X 2-1/4"                                   |         |
| 13  | 12H301   | LOCK WASHER | 10  | 1/2"  |         |

NOTE: QUANTITIES SHOWN ARE FOR ONE UNIT. TWO UNITS USED PER MACHINE.

# 1H18

FINAL DRIVE AXLE, GEAR, AND BEARINGS  
(SERIAL NO. -400489)

H27679 -UN-01JAN94



H27679

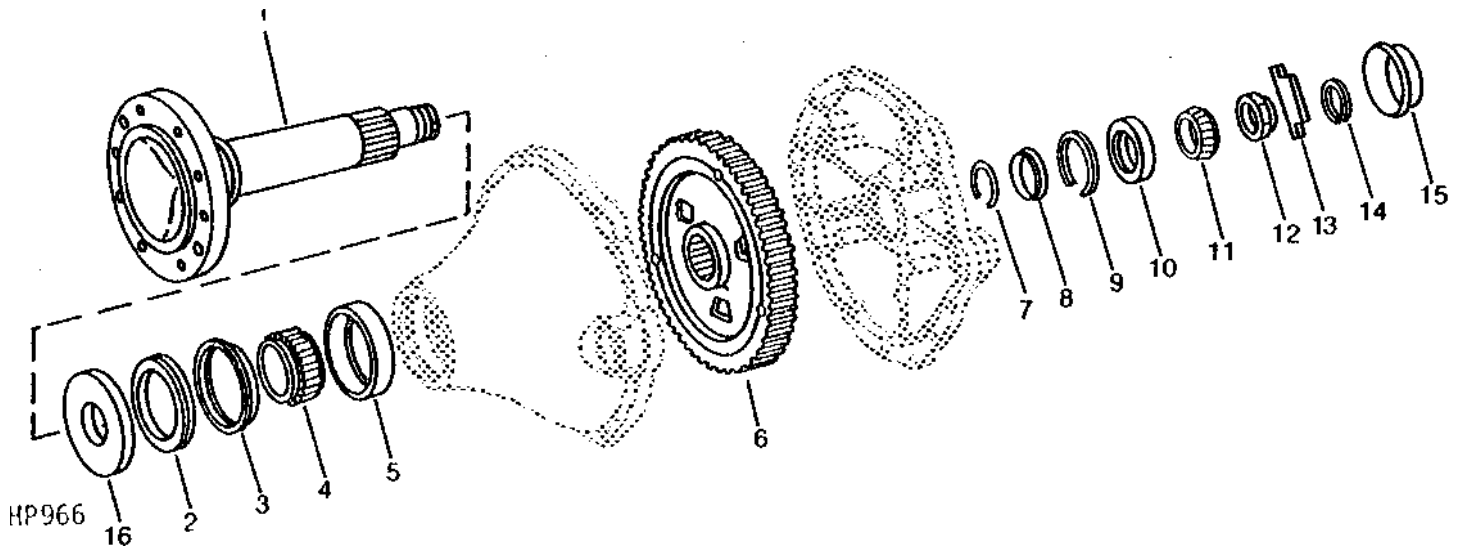
| KEY | PART NO. | PART NAME    | QTY | SERIAL NO. | REMARKS                                   |
|-----|----------|--------------|-----|------------|---|
| 1   | H94800   | SPINDLE      | 1   |            | (SUB H103537, H103538, H93681 AND P48703) |
| 2   | AH93852  | SEAL         | 1   |            |   |
| 3   | R59074   | OIL CUP      | 1   |            |   |
| 4   | JD9018   | BEARING CONE | 1   |            |   |
| 5   | JD8248   | BEARING CUP  | 1   |            |   |
| 6   | AH75466  | RING GEAR    | 1   |            | (MARKED H76025) (13 TO 89 RATIO)          |
| 7   | B3611R   | SNAP RING    | 1   |            |   |
| 8   | H76155   | BUSHING      | 1   |            |   |
| 9   | C565R    | SNAP RING    | 1   |            |   |
| 10  | JD8296   | BEARING CUP  | 1   |            |   |
| 11  | JD7378   | BEARING CONE | 1   |            |   |
| 12  | H83262   | LOCK WASHER  | 1   |            |   |
| 13  | H83263   | LOCK WASHER  | 1   |            |   |
| 14  | H76446   | NUT          | 1   |            |   |
| 15  | H76441   | CAP          | 1   |            |   |
| 16  | H94885   | SEAL         | 1   |            | (USE WITH R-2 TIRES AND CRAWLER TRACKS)   |

NOTE: QUANTITIES SHOWN ARE FOR ONE UNIT. TWO UNITS USED PER MACHINE.

# 1H19

FINAL DRIVE AXLE, GEAR, AND BEARINGS  
(SERIAL NO. 400490- )

HP966 -UN-01JAN94



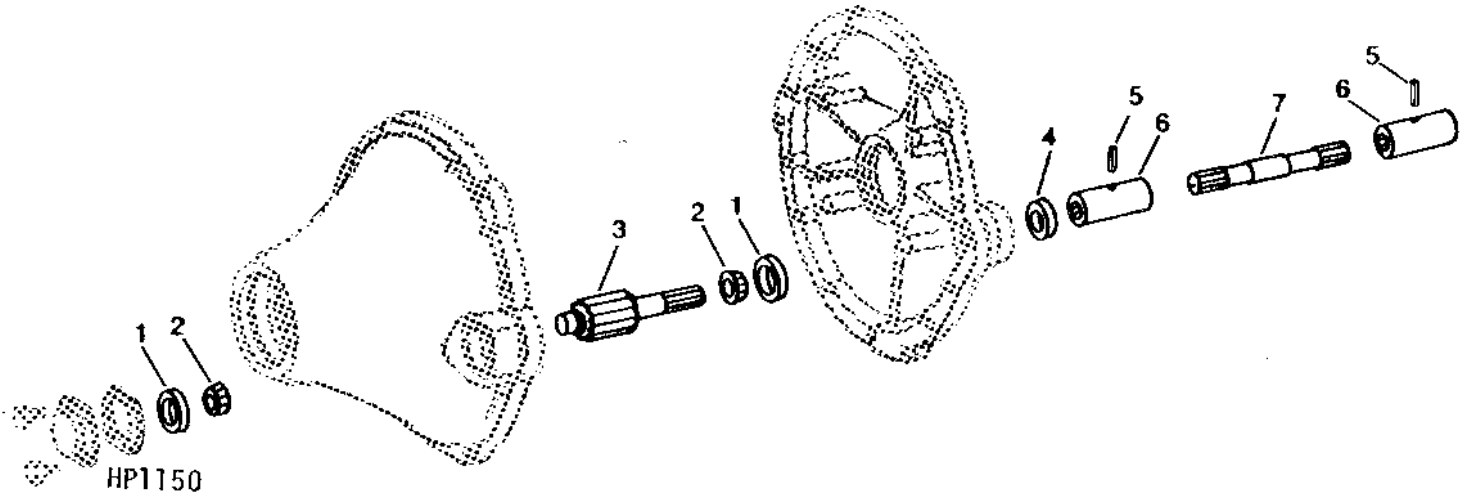
| KEY | PART NO. | PART NAME    | QTY | SERIAL NO. | REMARKS                                 |
|-----|----------|--------------|-----|------------|---|
| 1   | H103537  | SPINDLE      | 1   |            |   |
| 2   | AH93852  | SEAL         | 1   |            |   |
| 3   | R59074   | OIL CUP      | 1   |            |   |
| 4   | JD9018   | BEARING CONE | 1   |            |   |
| 5   | JD8248   | BEARING CUP  | 1   |            |   |
| 6   | AH75466  | RING GEAR    | 1   |            | (MARKED H76025) (13 TO 89 RATIO)        |
| 7   | B3611R   | SNAP RING    | 1   |            |   |
| 8   | H76155   | BUSHING      | 1   |            |   |
| 9   | C565R    | SNAP RING    | 1   |            |   |
| 10  | JD8296   | BEARING CUP  | 1   |            |   |
| 11  | JD7378   | BEARING CONE | 1   |            |   |
| 12  | H103538  | NUT          | 1   |            |   |
| 13  | H93681   | KEY          | 1   |            |   |
| 14  | P48703   | SNAP RING    | 1   |            |   |
| 15  | H76441   | CAP          | 1   |            |   |
| 16  | H94885   | SEAL         | 1   |            | (USE WITH R-2 TIRES AND CRAWLER TRACKS) |

NOTE: QUANTITIES SHOWN ARE FOR ONE UNIT. TWO UNITS USED PER MACHINE.

# 1H20

HP1150 -UN-01JAN94

## FINAL DRIVE PINION, DRIVE SHAFT, AND BEARINGS



| KEY | PART NO. | PART NAME        | QTY | SERIAL NO. | REMARKS                          |
|-----|----------|------------------|-----|------------|----------------------------------|
| 1   | JD8221   | BEARING CUP      | 2   |            |                                  |
| 2   | JD8180   | BEARING CONE     | 2   |            |                                  |
| 3   | H75164   | PINION           | 1   |            |                                  |
| 4   | T22069   | SEAL             | 1   | -450000    | (SUB AH107857, THIS APPLICATION) |
|     | AH107857 | SEAL             | 1   |            |                                  |
| 5   | 34H385   | SPRING PIN       | 2   |            | 1/4" X 1-3/4"                    |
| 6   | H91808   | SPLINED COUPLING | 2   |            |                                  |
| 7   | H87165   | DRIVE SHAFT      | 1   |            |                                  |
|     | H87275   | DRIVE SHAFT      | 1   |            | (WITH SPACERS)                   |

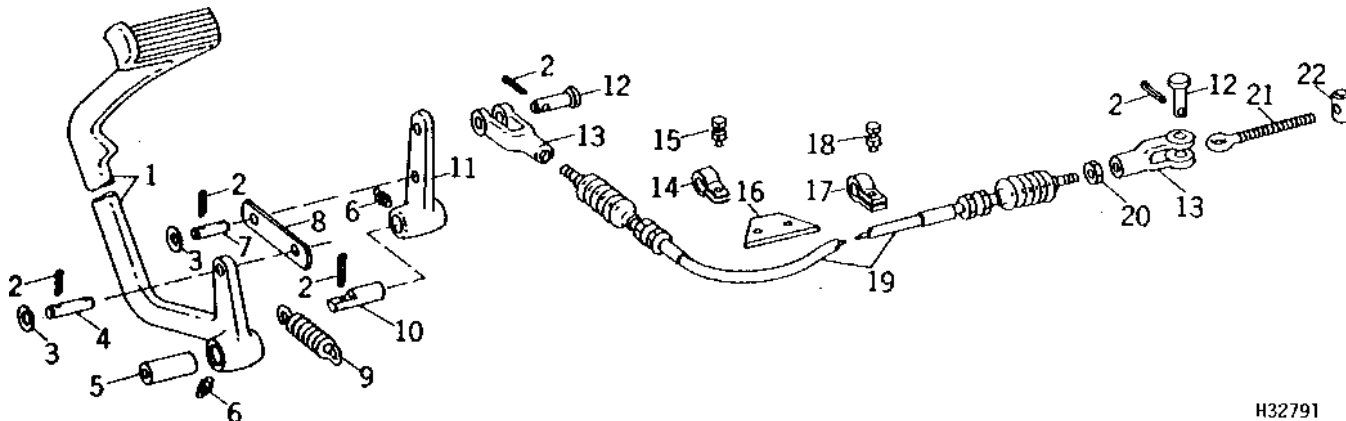
NOTE: QUANTITIES SHOWN ARE FOR ONE UNIT. TWO UNITS USED PER MACHINE.

# 1H21

POWER TRAIN

H32791 -UN-01JAN94

## CLUTCH PEDAL AND LINKAGE



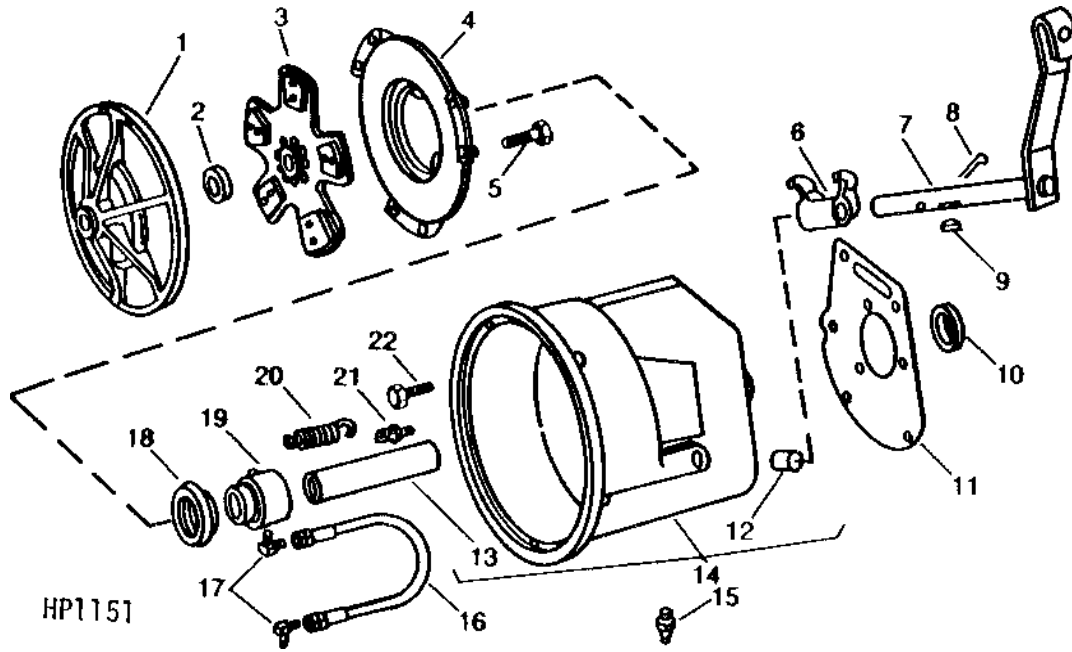
H32791

| KEY | PART NO. | PART NAME           | QTY | SERIAL NO.               | REMARKS                        |
|-----|----------|---------------------|-----|--------------------------|--------------------------------|
| 1   | H104006  | PEDAL               | 1   |                          |                                |
| 2   | 11H244   | COTTER PIN          | 7   | 3/16" X 2-1/2"           |                                |
| 3   | 24H1305  | WASHER              | 4   | 13/32" X 13/16" X 0.065" |                                |
| 4   | X7111C   | PIN                 | 1   |                          |                                |
| 5   | H80387   | BUSHING             | 1   |                          |                                |
| 6   | JD7797   | LUBRICATION FITTING | 2   |                          |                                |
| 7   | P50777   | PIN                 | 1   |                          |                                |
| 8   | H104148  | STRAP               | 2   |                          |                                |
| 9   | H104075  | SPRING              | 1   |                          |                                |
| 10  | H78307   | SHAFT               | 1   |                          |                                |
| 11  | H78309   | ARM                 | 1   |                          |                                |
| 12  | H24979   | PIN                 | 2   |                          |                                |
| 13  | 1C3621H  | YOKE                | 2   | -550000                  |                                |
|     | T21158   | YOKE                | 2   | 550001-                  |                                |
| 14  | AH11015  | CLIP                | 1   | -400000                  | (SUB H77358, THIS APPLICATION) |
|     | H77358   | CLIP                | 1   |                          |                                |
| 15  | 19H1936  | CAP SCREW           | 2   | 3/8" X 3/4"              |                                |
|     | 14H812   | NUT                 | 2   | 3/8"                     |                                |
| 16  | H78802   | BRACKET             | 1   |                          |                                |
| 17  | AH80916  | CLIP                | 1   |                          |                                |
| 18  | 19H2127  | CAP SCREW           | 1   | 5/16" X 7/8"             |                                |
|     | 14H785   | NUT                 | 1   | 5/16"                    |                                |
| 19  | AH103649 | PUSH PULL CABLE     | 1   |                          |                                |
| 20  | 14H856   | NUT                 | 1   | 1/2"                     |                                |
| 21  | H75257   | EYEBOLT             | 1   |                          |                                |
| 22  | H75256   | PIN                 | 1   |                          |                                |

# 1H22

HP1151 -UN-01JAN94

## DRIVE WHEEL CLUTCH AND HOUSING



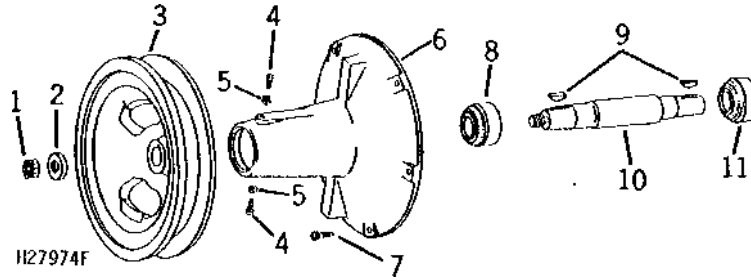
| KEY | PART NO. | PART NAME           | QTY | SERIAL NO.     | REMARKS                             |
|-----|----------|---------------------|-----|----------------|-------------------------------------|
| 1   | H94323   | WHEEL               | 1   |                |                                     |
| 2   | JD9436   | BALL BEARING        | 1   |                |                                     |
| 3   | AH93293  | DISK                | 1   |                |                                     |
| 4   | AH93292  | PLATE               | 1   |                |                                     |
|     | AH93337  | BRACKET             | 1   |                |                                     |
|     | T35294   | BOLT                | 3   |                |                                     |
|     | T35296   | CLAMP               | 3   |                |                                     |
|     | T35298   | LINK                | 3   |                |                                     |
|     | T35300   | RING                | 1   |                |                                     |
|     | T39871   | PLATE               | 1   |                |                                     |
|     | T52507   | SPRING              | 1   |                |                                     |
| 5   | 19H2284  | CAP SCREW           | 6   | 3/8" X 7/8"    |                                     |
|     | 12H304   | LOCK WASHER         | 6   | 3/8"           |                                     |
| 6   | H75814   | FORK                | 1   |                |                                     |
| 7   | AH75065  | ARM                 | 1   |                |                                     |
| 8   | 11H244   | COTTER PIN          | 1   | 3/16" X 2-1/2" |                                     |
| 9   | 26H14    | SHAFT KEY           | 1   | 3/16" X 3/4"   |                                     |
| 10  | T22069   | SEAL                | 1   | -450000        | (SUB AH107857, THIS APPLICATION)    |
|     | AH107857 | SEAL                | 1   |                |                                     |
| 11  | H64042   | GASKET              | 1   |                |                                     |
| 12  | H80934   | BUSHING             | 1   |                |                                     |
| 13  | H75832   | SLEEVE              | 1   |                |                                     |
| 14  | AH93294  | HOUSING             | 1   |                | (MARKED H94321)                     |
| 15  | JD7759   | LUBRICATION FITTING | 1   |                | STRAIGHT, 1/8"                      |
| 16  | AH81168  | HYDRAULIC HOSE      | 1   |                | 3 MM X 229 MM (1/8" I.D. X 9") LONG |
| 17  | H80936   | ELBOW FITTING       | 2   |                | 90°                                 |
|     | AR41942  | THRUST BEARING      | 1   |                |                                     |
| 19  | H80937   | SLEEVE              | 1   |                |                                     |
| 20  | H105055  | SPRING              | 1   |                |                                     |
| 21  | T21147   | EYEBOLT             | 1   |                |                                     |
| 22  | H82748   | CAP SCREW           | 4   |                |                                     |
|     | 19H1740  | CAP SCREW           | 1   | 7/16" X 1-3/4" |                                     |
|     | 12H293   | LOCK WASHER         | 5   | 7/16"          |                                     |

# 1H23

POWER TRAIN

H27974 -UN-01JAN94

## CLUTCH INPUT SHAFT AND HOUSING

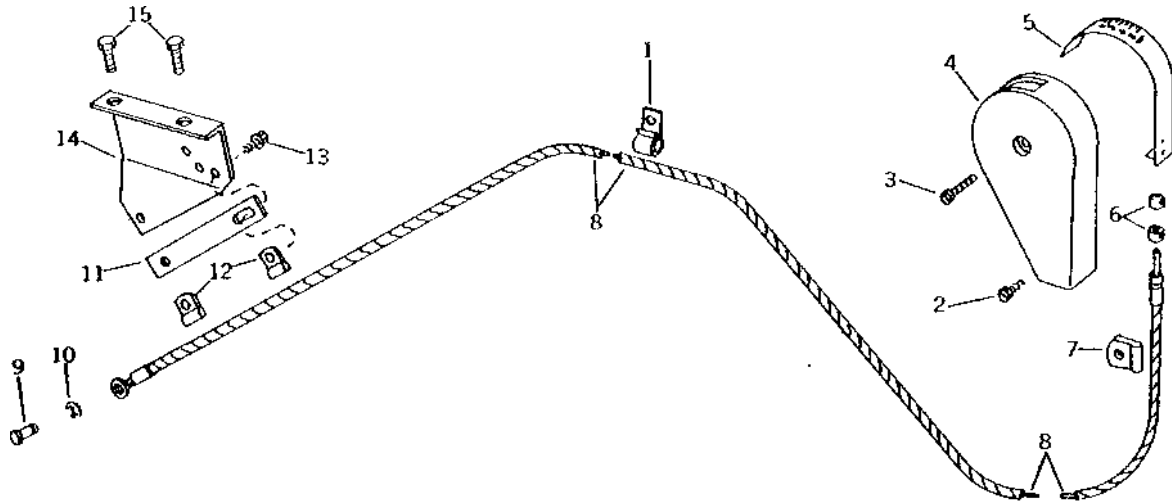


| KEY | PART NO. | PART NAME    | QTY | SERIAL NO. | REMARKS               |
|-----|----------|--------------|-----|------------|-----------------------|
| 1   | H82587   | LOCK NUT     | 1   |            |                       |
| 2   | 24H1446  | WASHER       | 1   |            | 1-1/64" X 2" X 0.134" |
| 3   | H75833   | SHEAVE       | 1   |            | 356 MM (14") DIA.     |
| 4   | 22H1049  | SET SCREW    | 2   |            | 1/4" X 1-1/2"         |
| 5   | 14H850   | NUT          | 1   |            | 1/4"                  |
| 6   | H94322   | HOUSING      | 1   |            |                       |
| 7   | 19H1732  | CAP SCREW    | 6   |            | 3/8" X 1-1/4"         |
|     | 12H304   | LOCK WASHER  | 6   |            | 3/8"                  |
| 8   | JD8524   | BEARING      | 1   |            |                       |
| 9   | 26H41    | SHAFT KEY    | 2   |            | 5/16" X 2-1/8"        |
| 10  | H94324   | SHAFT        | 1   |            |                       |
| 11  | JD9301   | BALL BEARING | 1   |            |                       |

# 1H24

RELATIVE GROUND SPEED INDICATOR  
(SERIAL NO. -450000)

H24147 -UN-01JAN94



| KEY | PART NO. | PART NAME   | QTY | SERIAL NO. | REMARKS        |
|-----|----------|-------------|-----|------------|----------------|
| 1   | AH76883  | CLIP        | 1   |            |                |
| 2   | 37H32    | SCREW       | 1   |            | 0.190" X 3/8"  |
| 3   | R53678   | SCREW       | 1   |            | SELF-TAPPING   |
| 4   | H85953   | HOUSING     | 1   |            |                |
| 5   | AH87111  | GAUGE       | 1   |            |                |
| 6   | AH87112  | STOP        | 2   |            |                |
| 7   | BP13682  | CLIP        | 1   |            |                |
| 8   | AH97895  | CABLE       | 1   | -450000    | (SUB AH108960) |
|     | AH108960 | CABLE       | 1   |            |                |
| 9   | H85959   | PIN         | 1   |            |                |
| 10  | T23529   | SNAP RING   | 1   |            |                |
| 11  | H86143   | STRAP       | 1   |            |                |
| 12  | H22660   | CLIP        | 2   |            |                |
| 13  | H76139   | SCREW       | 2   |            | SELF-TAPPING   |
| 14  | AH87263  | BRACKET     | 1   |            |                |
| 15  | 19H2284  | CAP SCREW   | 2   |            | 3/8" X 7/8"    |
|     | 12H304   | LOCK WASHER | 2   |            | 3/8"           |

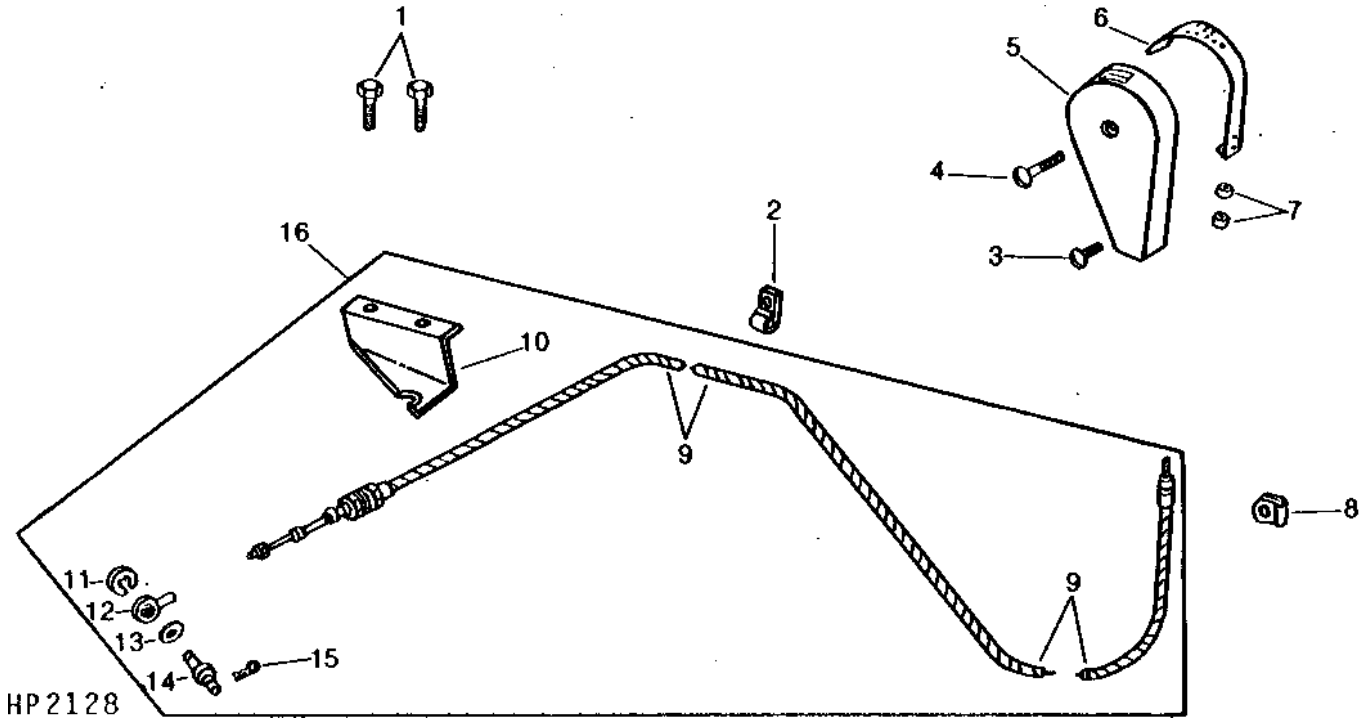


# 1H25

POWER TRAIN

## RELATIVE GROUND SPEED INDICATOR (SERIAL NO. 450001- )

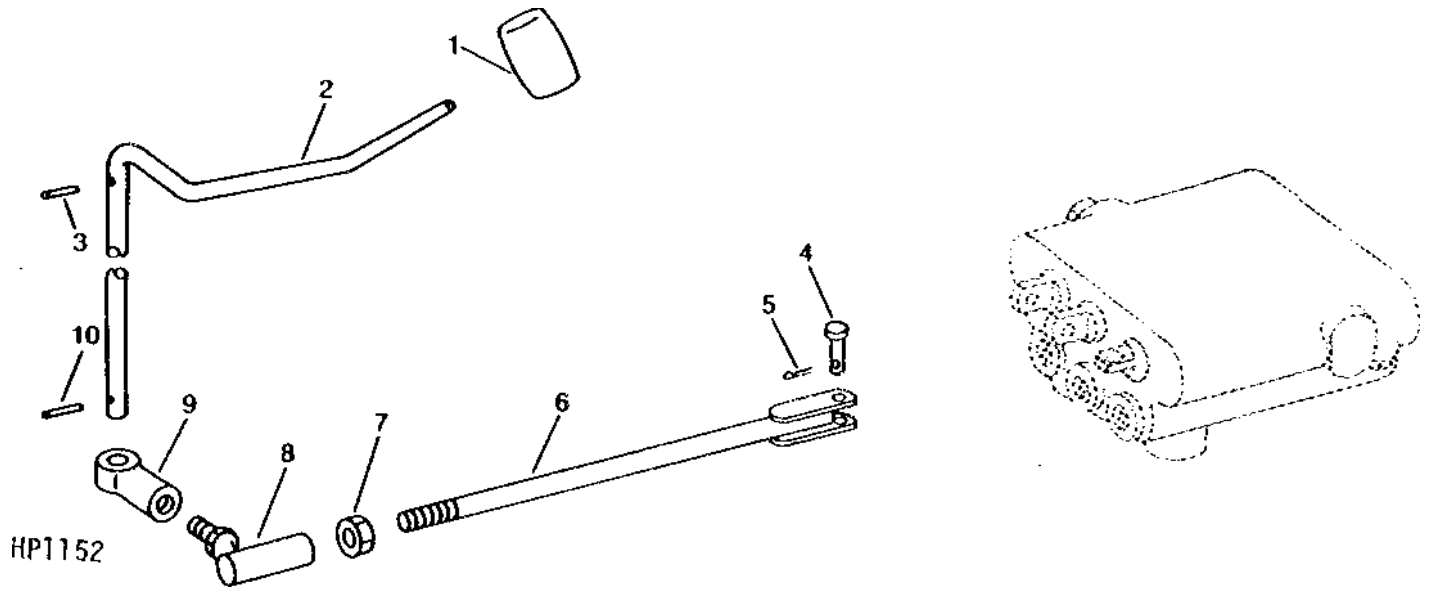
HP2128 -UN-01JAN94



| KEY | PART NO. | PART NAME   | QTY | SERIAL NO.            | REMARKS |
|-----|----------|-------------|-----|-----------------------|---------|
| 1   | 19H2284  | CAP SCREW   | 2   | 3/8" X 7/8"           |         |
|     | 12H304   | LOCK WASHER | 2   | 3/8"                  |         |
| 2   | AH76883  | CLIP        | 1   |                       |         |
| 3   | 37H32    | SCREW       | 1   | 0.190" X 3/8"         |         |
| 4   | R53678   | SCREW       | 1   | SELF-TAPPING          |         |
| 5   | H85953   | HOUSING     | 1   |                       |         |
| 6   | AH87111  | GAUGE       | 1   |                       |         |
| 7   | AH87112  | STOP        | 2   |                       |         |
| 8   | BP13682  | CLIP        | 1   |                       |         |
| 9   | AH108056 | CABLE       | 1   |                       |         |
| 10  | AH108057 | BRACKET     | 1   |                       |         |
| 11  | R31935   | SNAP RING   | 1   |                       |         |
| 12  | AH108055 | TIE ROD END | 1   |                       |         |
| 13  | 24H1287  | WASHER      | 1   | 9/32" X 5/8" X 0.065" |         |
| 14  | H110273  | PIN         | 1   |                       |         |
| 15  | 11H233   | COTTER PIN  | 1   | 3/32" X 1/2"          |         |
| 16  | AH108960 | CABLE       | 1   |                       |         |

SELECTIVE GROUND SPEED CONTROLS

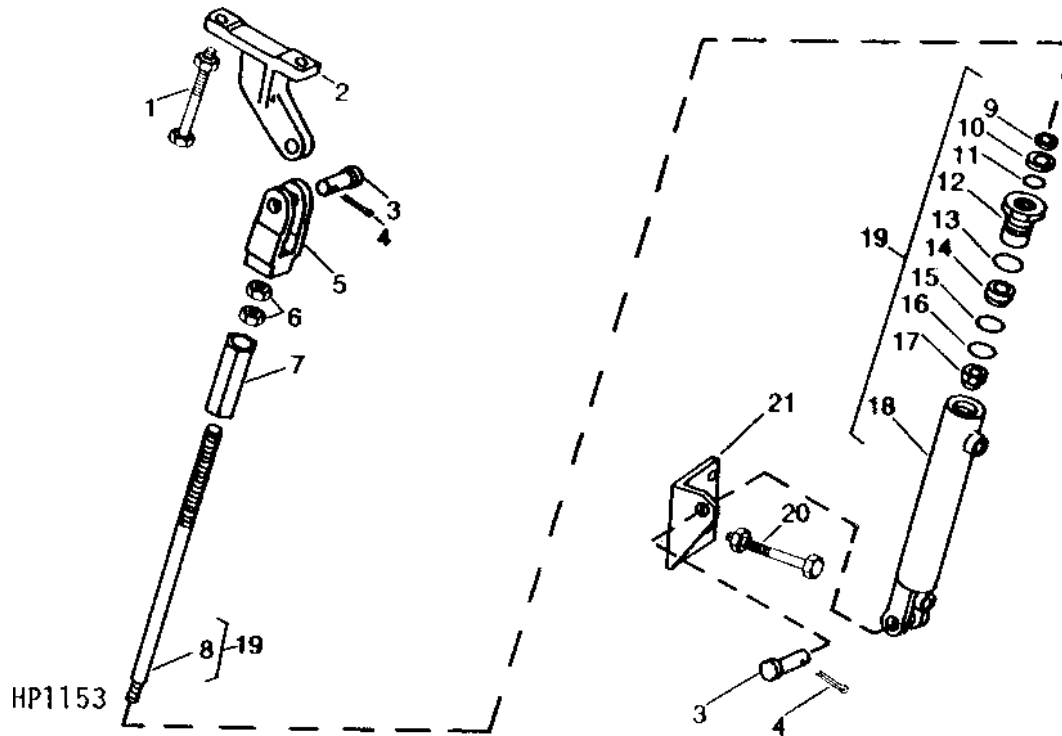
HP1152 -UN-01JAN94



| KEY | PART NO. | PART NAME  | QTY | SERIAL NO. | REMARKS      |
|-----|----------|------------|-----|------------|--------------|
| 1   | H87468   | KNOB       | 1   |            |              |
| 2   | H99269   | LEVER      | 1   |            |              |
| 3   | 34H266   | SPRING PIN | 1   |            | 5/32" X 1"   |
| 4   | H35481   | PIN        | 1   | -500000    |              |
|     | U42845   | PIN        | 1   | 500001-    |              |
| 5   | 11H266   | COTTER PIN | 1   |            | 1/16" X 1/2" |
| 6   | AH76371  | YOKE       | 1   | -500000    |              |
|     | AH111057 | ROD        | 1   | 500001-    |              |
| 7   | 14H774   | NUT        | 1   |            | 3/8"         |
| 8   | AH83521  | BALL JOINT | 1   |            |              |
| 9   | AH92607  | ARM        | 1   |            |              |
| 10  | 34H282   | SPRING PIN | 1   |            | 3/16" X 1"   |

HP1153 -UN-01JAN94

## SELECTIVE GROUND SPEED CYLINDER



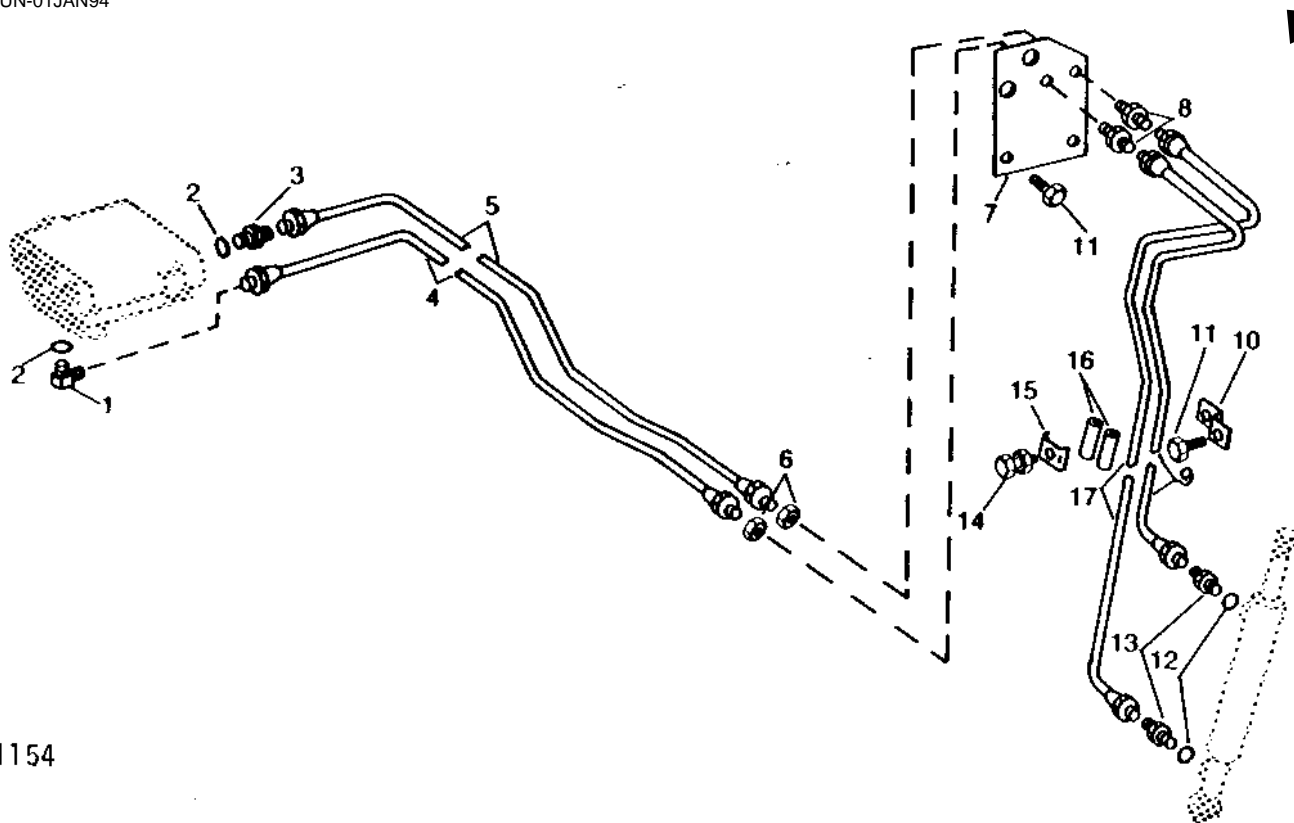
| KEY | PART NO. | PART NAME                 | QTY | SERIAL NO.          | REMARKS |
|-----|----------|---------------------------|-----|---------------------|---------|
| 1   | 19H2345  | CAP SCREW                 | 2   | 3/8" X 5-1/2"       |         |
|     | 14H812   | NUT                       | 2   | 3/8"                |         |
| 2   | H83460   | ANCHOR                    | 1   |                     |         |
| 3   | P43548   | PIN                       | 1   | (LOWER)             |         |
|     | H76788   | PIN                       | 1   | (UPPER)             |         |
| 4   | 11H237   | COTTER PIN                | 1   | 1/8" X 2", (LOWER)  |         |
|     | 11H234   | COTTER PIN                | 1   | 3/32" X 1", (UPPER) |         |
| 5   | H92700   | YOKE                      | 1   |                     |         |
| 6   | 14H821   | NUT                       | 2   | 5/8"                |         |
| 7   | H75938   | NUT                       | 1   |                     |         |
| 8   | H80437   | ROD                       | 1   |                     |         |
| 9   | .....    | SEAL                      | 1   | (A)                 |         |
| 10  | .....    | WASHER                    | 1   | (A)                 |         |
| 11  | .....    | O-RING                    | 1   | (A)                 |         |
| 12  | H80439   | GUIDE                     | 1   |                     |         |
| 13  | .....    | O-RING                    | 1   | (A)                 |         |
| 14  | H80438   | PISTON                    | 1   |                     |         |
| 15  | .....    | O-RING                    | 1   | (A)                 |         |
| 16  | .....    | RING                      | 1   | (A)                 |         |
| 17  | H80440   | LOCK NUT                  | 1   |                     |         |
| 18  | AH78773  | HYDRAULIC CYLINDER BARREL | 1   |                     |         |
| 19  | AH75428  | CYLINDER                  | 1   |                     |         |
| 20  | 19H1726  | CAP SCREW                 | 2   | 3/8" X 2-1/4"       |         |
|     | 14H812   | NUT                       | 2   | 3/8"                |         |
| 21  | H75926   | BRACKET                   | 1   |                     |         |

KIT LISTED BELOW CONSISTS OF ALL PARTS IDENTIFIED BY AN (A):

|    |         |          |   |  |  |
|----|---------|----------|---|--|--|
| .. | AH78772 | SEAL KIT | 1 |  |  |
|----|---------|----------|---|--|--|

HP1154 -UN-01JAN94

## SELECTIVE GROUND SPEED OIL LINES

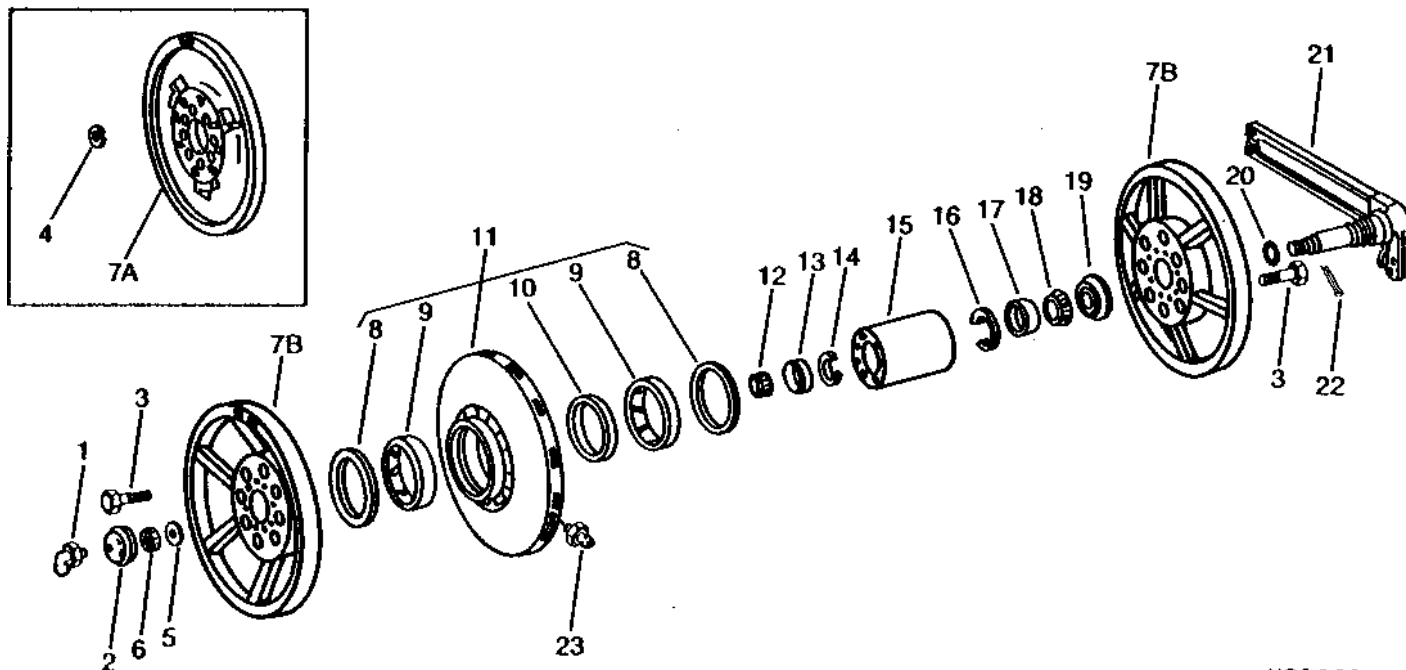


HP1154

| KEY | PART NO. | PART NAME     | QTY | SERIAL NO. | REMARKS                 |
|-----|----------|---------------|-----|------------|-------------------------|
| 1   | AH75160  | ELBOW FITTING | 1   |            |                         |
| 2   | R26448   | O-RING        | 2   |            |                         |
| 3   | H75414   | ADAPTER       | 1   |            |                         |
| 4   | AH75461  | LINE          | 1   |            | PRESSURE, FRONT         |
| 5   | AH75460  | LINE          | 1   |            | PRESSURE, FRONT         |
| 6   | 14H934   | NUT           | 2   |            | 7/16"                   |
| 7   | H79019   | BRACKET       | 1   |            |                         |
| 8   | H75416   | UNION FITTING | 2   |            |                         |
| 9   | AH78578  | LINE          | 1   |            | PRESSURE, REAR          |
| 10  | H79576   | BRACKET       | 1   |            |                         |
| 11  | H65108   | SCREW         | 3   |            | SELF-TAPPING            |
| 12  | R28782   | O-RING        | 2   |            |                         |
| 13  | AM30686  | FITTING       | 2   | -610100    | (SUB T39220 AND R28782) |
|     | T39220   | FITTING       | 2   |            |                         |
| 14  | 19H1905  | CAP SCREW     | 1   |            | 5/16" X 1"              |
|     | 14H785   | NUT           | 1   |            | 5/16"                   |
| 15  | H83208   | CLAMP         | 1   |            |                         |
| 16  | H23941   | ISOLATOR      | 2   |            |                         |
| 17  | AH78579  | LINE          | 1   |            | PRESSURE, REAR          |

PROPULSION DRIVE COUNTERSHAFT SHEAVE

HP1829 -UN-01JAN94

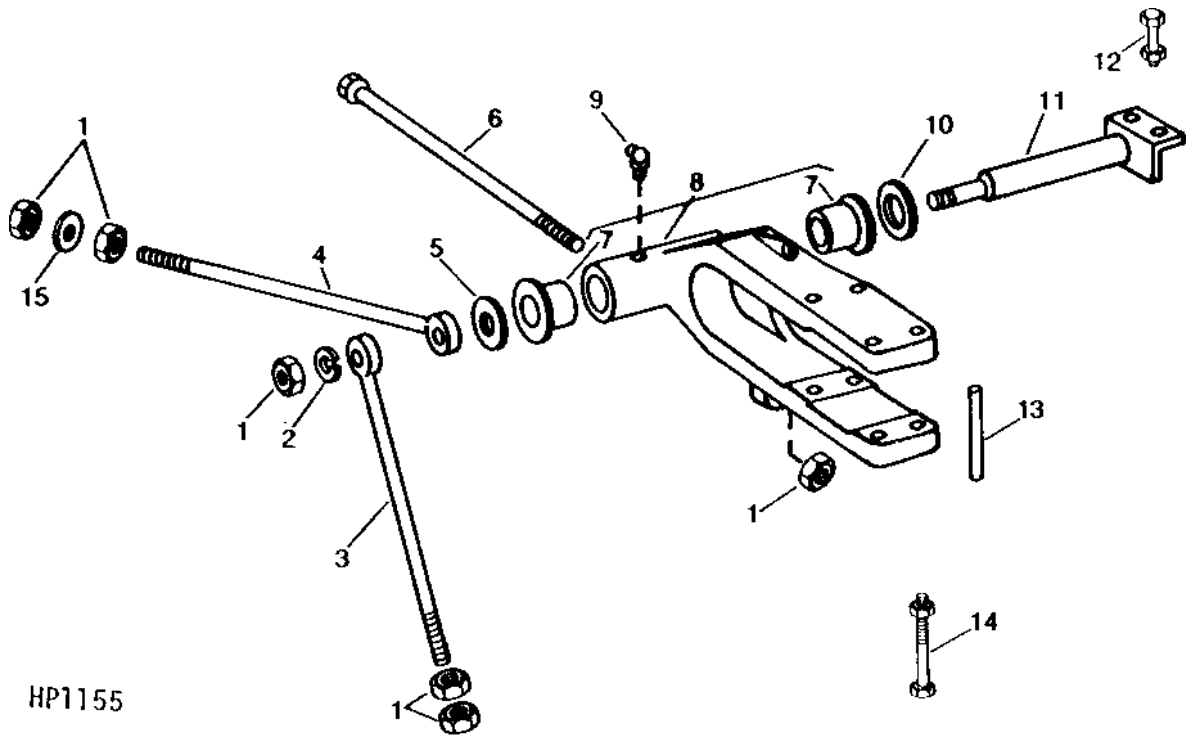


HP1829

| KEY | PART NO. | PART NAME           | QTY | SERIAL NO. | REMARKS                                  |
|-----|----------|---------------------|-----|------------|--|
| 1   | JD7797   | LUBRICATION FITTING | 1   |            |  |
| 2   | H89303   | CAP                 | 1   |            |  |
| 3   | 19H1765  | CAP SCREW           | 16  |            | 3/8" X 1-3/4"                            |
| 4   | P49970   | DOWEL PIN           | 8   | -500209    |  |
| 5   | T19572   | WASHER              | 1   |            |  |
| 6   | 14H875   | NUT                 | 1   |            | 7/8"                                     |
| 7A  | H75855   | SHEAVE              | 2   | -500209    | (SUB H112547)                            |
| 7B  | H112547  | SHEAVE              | 2   |            | 397 MM (15-5/8") DIA.                    |
| 8   | AH12466  | PACKING             | 2   |            |  |
| 9   | H23005   | BUSHING             | 2   |            |  |
| 10  | AH12467  | FELT                | 1   |            |  |
| 11  | AH85700  | CENTER SHEAVE       | 1   |            | WITH BUSHINGS AND SEALS, (MARKED H85253) |
| 12  | JD8134   | BEARING CONE        | 1   |            |  |
| 13  | JD7449   | BEARING CUP         | 1   |            |  |
| 14  | P42669   | RING                | 1   |            |  |
| 15  | H75856   | HUB                 | 1   | -500209    | (SUB H112548)                            |
|     | H112548  | HUB                 | 1   |            |  |
| 16  | E10911   | SNAP RING           | 1   |            |  |
| 17  | JD8271   | BEARING CUP         | 1   |            |  |
| 18  | JD8988   | BEARING CONE        | 1   |            |  |
| 19  | AH86596  | SEAL                | 1   |            |  |
| 20  | A4730R   | O-RING              | 1   |            |  |
| 21  | AH94803  | ARM                 | 1   |            | (MARKED H83494)                          |
| 22  | 11H237   | COTTER PIN          | 1   |            | 1/8" X 2"                                |
| 23  | JD7759   | LUBRICATION FITTING | 1   |            |  |

HP1155 -UN-01JAN94

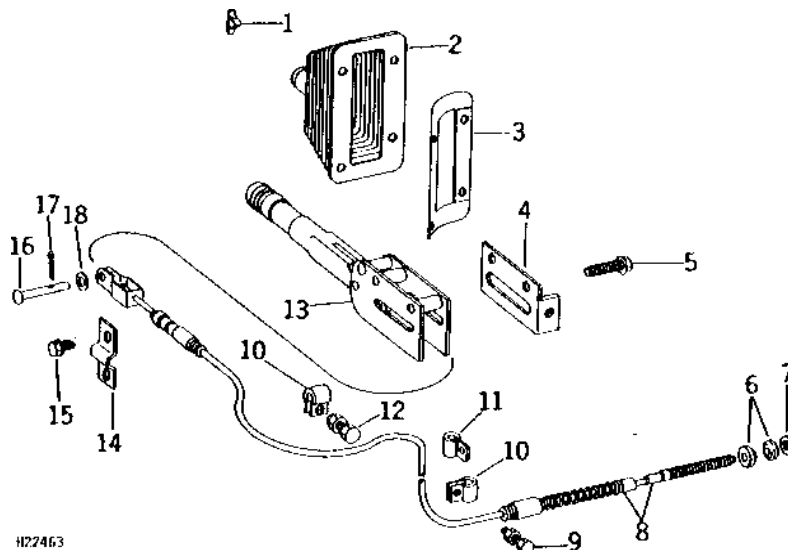
PROPULSION DRIVE COUNTERSHAFT



HP1155

| KEY | PART NO. | PART NAME           | QTY | SERIAL NO.                            | REMARKS |
|-----|----------|---------------------|-----|---------------------------------------|---------|
| 1   | 14H1039  | NUT                 | 6   | 5/8"                                  |         |
| 2   | 12H294   | LOCK WASHER         | 1   | 5/8"                                  |         |
| 3   | H75925   | EYEBOLT             | 1   | REAR                                  |         |
| 4   | H75924   | EYEBOLT             | 1   | FRONT                                 |         |
| 5   | 24H1626  | WASHER              | 1   | 21/32" X 2" X 0.060"                  |         |
| 6   | H75851   | CAP SCREW           | 1   |                                       |         |
| 7   | H85568   | BUSHING             | 2   |                                       |         |
| 8   | AH86829  | ARM                 | 1   | UPPER, WITH BUSHINGS, (MARKED H85845) |         |
| 9   | JD7806   | LUBRICATION FITTING | 1   | 90°, 1/4"                             |         |
| 10  | 24H1667  | WASHER              | 1   | 1-17/64" X 2-1/4" X 0.075"            |         |
| 11  | AH77224  | BRACKET             | 1   |                                       |         |
| 12  | 19H1731  | CAP SCREW           | 2   | 3/8" X 1"                             |         |
|     | 14H812   | NUT                 | 2   | 3/8"                                  |         |
| 13  | H75850   | BUSHING             | 4   |                                       |         |
| 14  | 19H2104  | CAP SCREW           | 2   | 3/8" X 5"                             |         |
|     | 14H812   | NUT                 | 2   | 3/8"                                  |         |
| 15  | 24H1368  | WASHER              | 1   | 21/32" X 1-5/16" X 0.090"             |         |

H22463 -UN-01JAN94

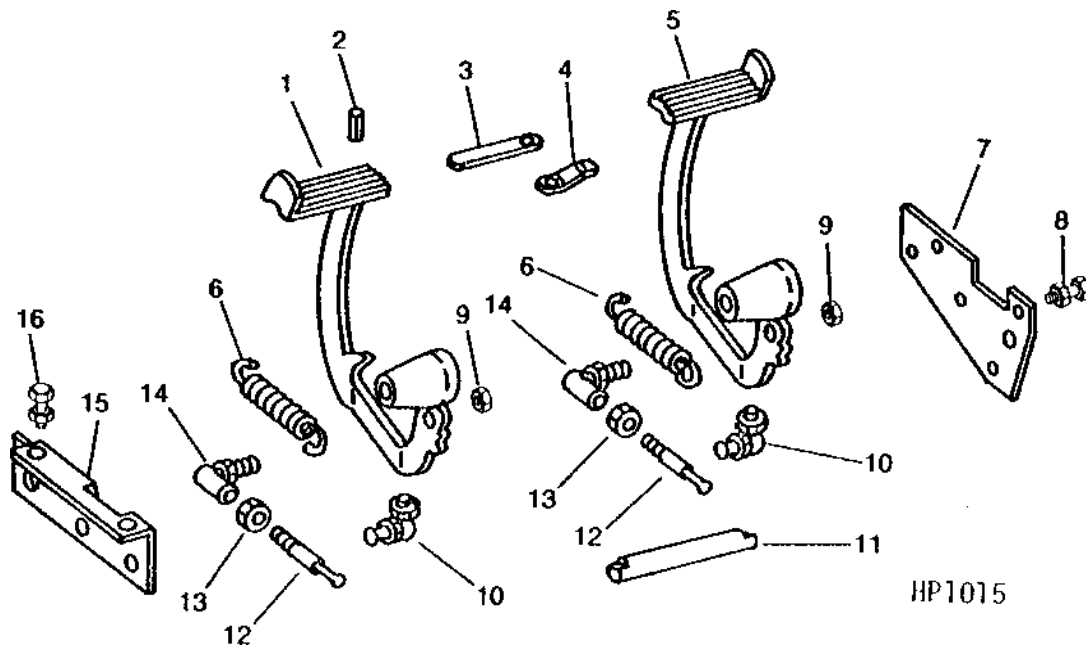
**PARKING BRAKE CONTROLS**


H22463

| KEY | PART NO. | PART NAME       | QTY | SERIAL NO.    | REMARKS                  |
|-----|----------|-----------------|-----|---------------|--------------------------|
| 1   | H88910   | PLUG            | 4   |               |                          |
| 2   | AH94812  | BOOT            | 1   | -600000       | (SUB H94267)             |
|     | H94267   | BOOT            | 1   |               |                          |
| 3   | H94638   | RETAINER        | 1   |               |                          |
| 4   | H84659   | BRACKET         | 1   |               | SWITCH                   |
| 5   | H78421   | SCREW           | 2   |               | SELF-TAPPING             |
| 6   | H77337   | WASHER          | 2   |               |                          |
| 7   | 14H774   | NUT             | 2   | 3/8"          |                          |
| 8   | AH96679  | PUSH PULL CABLE | 1   |               |                          |
| 9   | 19H1732  | CAP SCREW       | 1   | 3/8" X 1-1/4" |                          |
|     | 14H812   | NUT             | 1   | 3/8"          |                          |
| 10  | AH11015  | CLIP            | 2   |               | CUSHIONED                |
| 11  | AH76883  | CLIP            | 1   |               | CUSHIONED                |
| 12  | 19H2284  | CAP SCREW       | 1   | 3/8" X 7/8"   |                          |
|     | 14H812   | NUT             | 1   | 3/8"          |                          |
| 13  | AH93255  | LEVER           | 1   | -450000       |                          |
|     | AH106513 | LEVER           | 1   | 450001-       |                          |
| 14  | H78420   | CLAMP           | 1   |               |                          |
| 15  | H77931   | SCREW           | 2   |               | SELF-TAPPING             |
| 16  | H78423   | PIN             | 1   |               |                          |
| 17  | 11H211   | COTTER PIN      | 1   |               | 1/8" X 3/4"              |
| 18  | 24H1136  | WASHER          | 1   |               | 11/32" X 11/16" X 0.065" |
| 19  | H94640   | SEAL            | 1   | 600001-       |                          |

HP1015 -UN-01JAN94

## BRAKE PEDALS AND LINKAGE



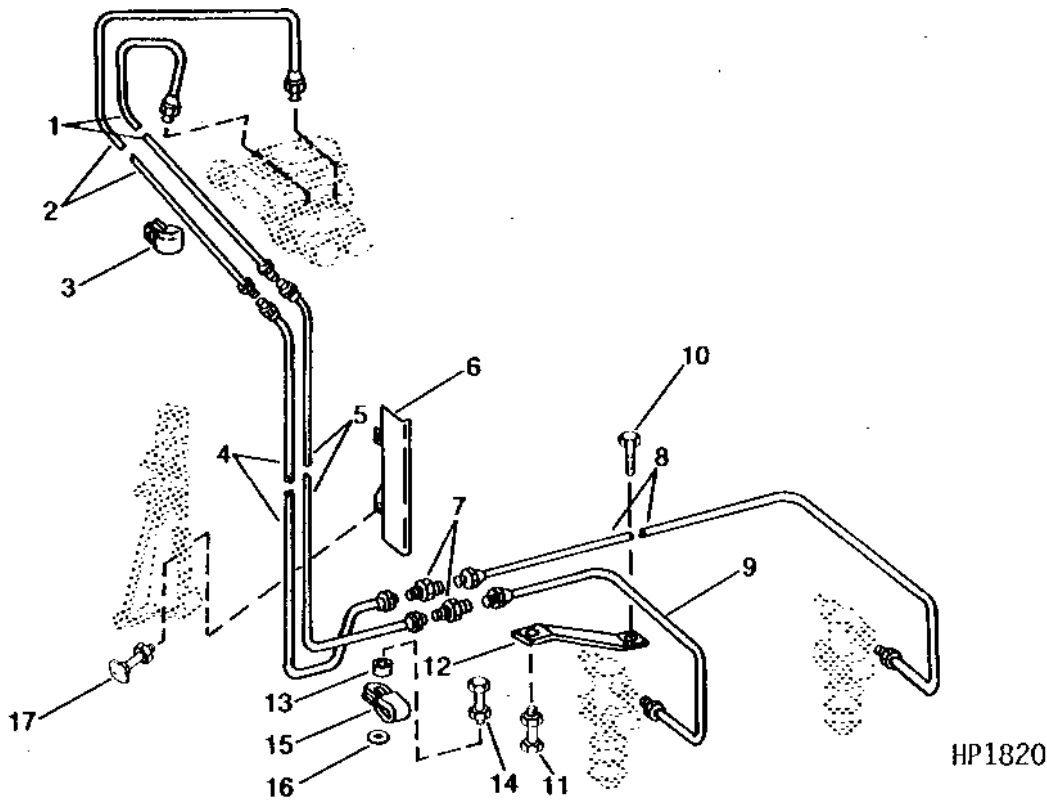
| KEY | PART NO. | PART NAME           | QTY | SERIAL NO. | REMARKS       |
|-----|----------|---------------------|-----|------------|---------------|
| 1   | H99272   | PEDAL               | 1   |            | L.H.          |
| 2   | 34H311   | SPRING PIN          | 1   |            | 1/4" X 7/8"   |
| 3   | H99264   | STRAP               | 1   |            |               |
| 4   | R31602   | LEAF SPRING         | 1   |            |               |
| 5   | H99271   | PEDAL               | 1   |            | R.H.          |
| 6   | H77373   | SPRING              | 1   |            | L.H.          |
|     | H81688   | SPRING              | 1   |            | R.H.          |
| 7   | H78812   | SUPPORT             | 1   |            | R.H.          |
| 8   | 19H1731  | CAP SCREW           | 2   |            | 3/8" X 1"     |
|     | 14H812   | NUT                 | 2   |            | 3/8"          |
| 9   | 14H846   | NUT                 | 2   |            | 3/8"          |
| 10  | JD7806   | LUBRICATION FITTING | 2   |            | 90°           |
| 11  | H77372   | SHAFT               | 1   | -550000    | (SUB H117225) |
|     | H117225  | SHAFT               | 1   |            |               |
| 12  | H77371   | STUD                | 2   | -451143    | (SUB H109824) |
|     | H109824  | WELD STUD           | 2   |            |               |
| 13  | 14H774   | NUT                 | 2   |            | 3/8"          |
| 14  | AH83521  | BALL JOINT          | 2   |            |               |
| 15  | H78813   | SUPPORT             | 1   |            | L.H.          |
| 16  | 21H1069  | SCREW               | 2   |            | 3/8" X 1"     |
|     | 14H812   | NUT                 | 2   |            | 3/8"          |



# 1110

HP1820 -UN-01JAN94

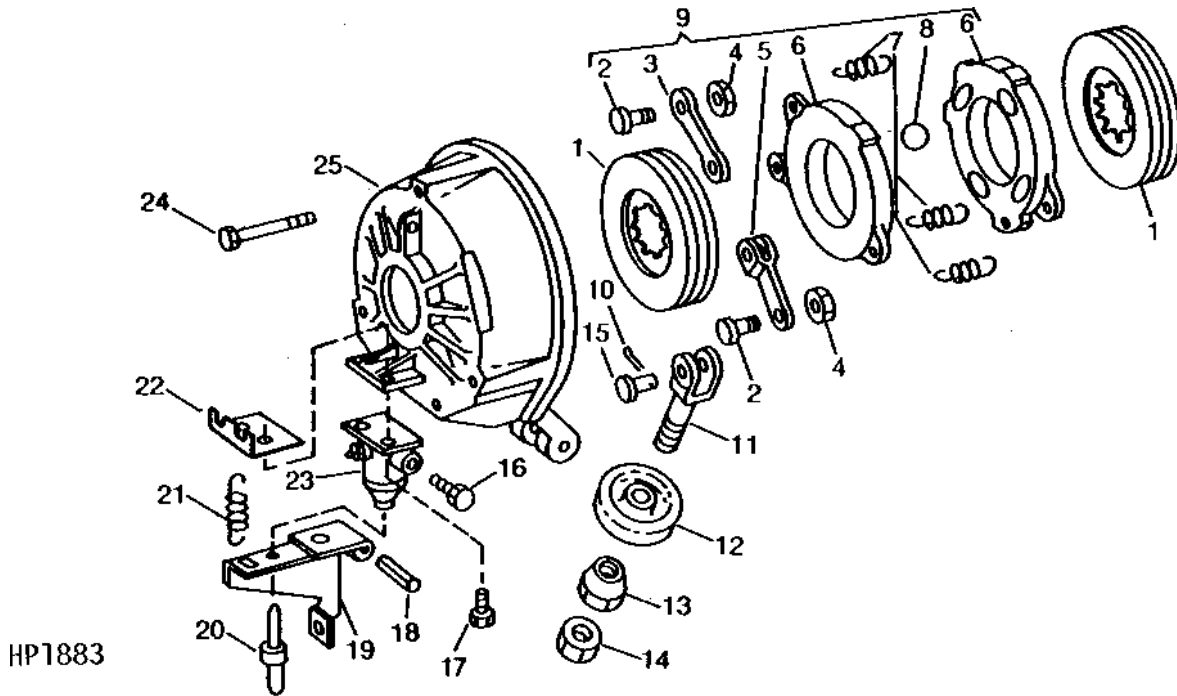
## BRAKE LINES



| KEY | PART NO. | PART NAME     | QTY | SERIAL NO.            | REMARKS |
|-----|----------|---------------|-----|-----------------------|---------|
| 1   | AH96779  | LINE          | 1   | (L.H.)                |         |
| 2   | AH96780  | LINE          | 1   | (R.H.)                |         |
| 3   | AH76883  | CLIP          | 1   |                       |         |
| 4   | AH99349  | LINE          | 1   | (R.H.)                |         |
| 5   | AH101327 | LINE          | 1   | (L.H.)                |         |
| 6   | H99825   | SHIELD        | 1   |                       |         |
| 7   | H33795   | UNION FITTING | 2   |                       |         |
| 8   | AH96782  | LINE          | 1   | (R.H.)                |         |
| 9   | AH96781  | LINE          | 1   | (L.H.)                |         |
| 10  | 19H1936  | CAP SCREW     | 1   | 3/8" X 3/4"           |         |
| 11  | 19H1948  | CAP SCREW     | 1   | 1/4" X 3/4"           |         |
|     | 14H786   | NUT           | 1   | 1/4"                  |         |
| 12  | H83138   | BRACKET       | 1   |                       |         |
| 13  | 28H1883  | SPACER        | 1   | 1/4" X 1/2"           |         |
| 14  | 19H1898  | CAP SCREW     | 1   | 1/4" X 1-1/2"         |         |
|     | 14H786   | NUT           | 1   | 1/4"                  |         |
| 15  | AH76996  | CLIP          | 1   |                       |         |
| 16  | 24H1287  | WASHER        | 1   | 9/32" X 5/8" X 0.065" |         |
| 17  | 10H1028  | BOLT          | 2   | 3/8" X 1-1/2"         |         |
|     | 12H304   | LOCK WASHER   | 2   | 3/8"                  |         |
|     | 14H812   | NUT           | 2   | 3/8"                  |         |

HP1883 -UN-01JAN94

**BRAKES AND HOUSING**



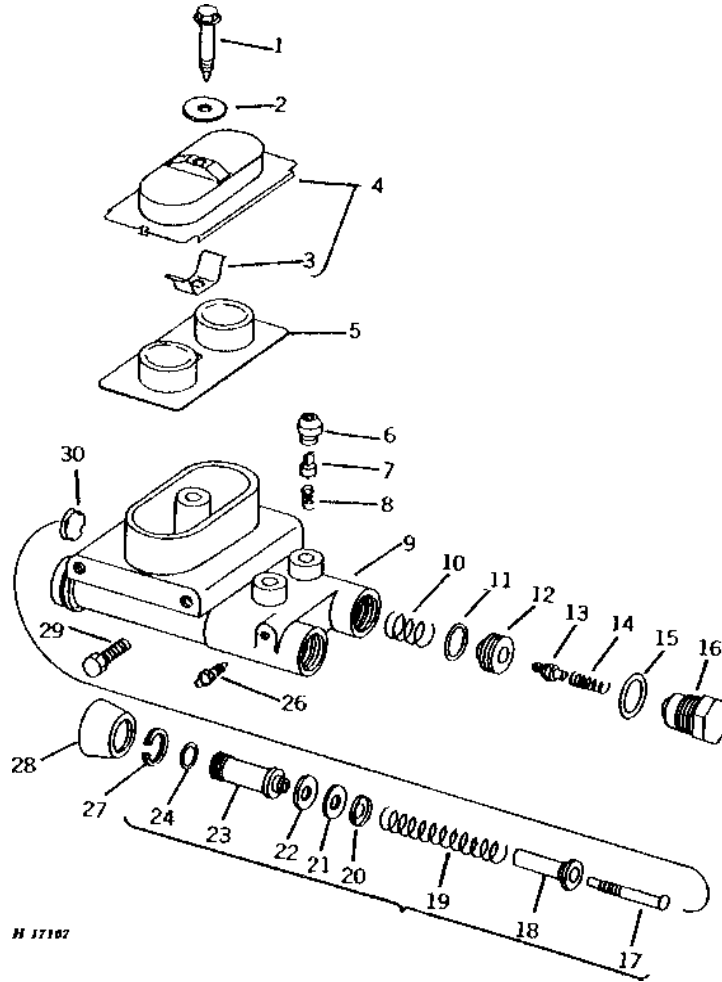
| KEY | PART NO. | PART NAME              | QTY | SERIAL NO. | REMARKS                        |
|-----|----------|------------------------|-----|------------|--------------------------------|
| 1   | AH19839  | BRAKE DISK             | 2   |            |                                |
| 2   | P48685   | STUD                   | 2   |            |                                |
| 3   | H33511   | LINK                   | 1   |            |                                |
| 4   | 14H882   | NUT                    | 2   |            | 5/16"                          |
| 5   | AH19841  | LINK                   | 1   |            |                                |
| 6   | H11318   | DISK                   | 2   |            |                                |
| 7   | P47704   | EXTENSION SPRING       | 3   |            |                                |
| 8   | M830T    | BALL                   | 5   |            |                                |
| 9   | AH19840  | DISK                   | 1   |            |                                |
| 10  | J16931   | SPRING LOCKING PIN     | 1   |            |                                |
| 11  | P48669   | YOKE                   | 1   |            |                                |
| 12  | H79514   | BOOT                   | 1   |            |                                |
| 13  | H33513   | NUT                    | 1   |            |                                |
| 14  | 14H934   | NUT                    | 1   |            | 7/16"                          |
| 15  | L364T    | PIN                    | 1   |            |                                |
| 16  | H100457  | FITTING                | 1   | -550000    |                                |
| 17  | 19H1914  | CAP SCREW              | 2   |            | 1/4" X 1"                      |
|     | 12H302   | LOCK WASHER            | 2   |            | 1/4"                           |
| 18  | 34H379   | SPRING PIN             | 1   |            | 1/2" X 4"                      |
| 19  | AH96680  | LEVER                  | 1   |            | (R.H.)                         |
|     | AH96681  | LEVER                  | 1   |            | (L.H.)                         |
| 20  | H98190   | PUSH ROD               | 1   | -450000    | (SUB H111181)                  |
|     | H111181  | ROD                    | 1   | -550000    | (SUB H114990 AND H114991)      |
|     | H114990  | PUSH ROD               | 1   |            |                                |
| 21  | M226T    | SPRING                 | 2   | -550000    |                                |
|     | H114562  | EXTENSION SPRING       | 2   | 550001-    |                                |
| 22  | H100394  | BRACKET                | 1   |            |                                |
| 23  | AH99360  | CYLINDER               | 1   | -550000    | (SUB AH112541)                 |
|     | AH112541 | CYLINDER               | 1   |            |                                |
| 24  | 19H1739  | CAP SCREW              | 3   |            | 1/2" X 4-1/2"                  |
| 25  | H100455  | HOUSING                | 1   |            |                                |
| ..  | AH100003 | KIT                    | 1   | -550000    | BRAKE CYLINDER, (SUB AH112542) |
| ..  | AH112542 | HYDRAULIC CYLINDER KIT | 1   |            | BRAKE SLAVE CYLINDER           |

NOTE: QUANTITIES SHOWN ARE FOR ONE UNIT. TWO UNITS USED PER MACHINE.

# 1112

H17107 -UN-01JAN94

## BRAKE MASTER CYLINDER

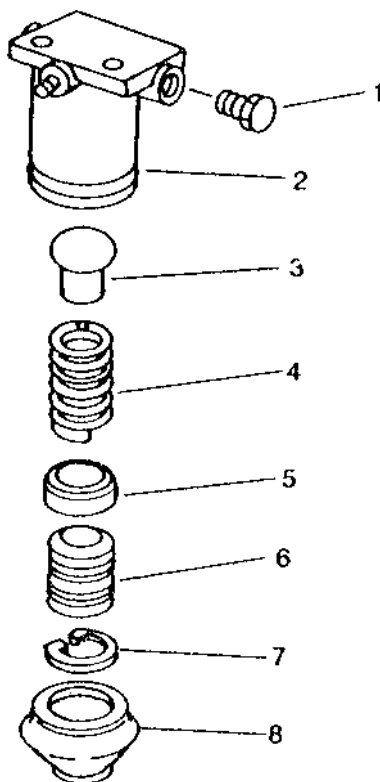


| KEY | PART NO. | PART NAME    | QTY | SERIAL NO. | REMARKS       |
|-----|----------|--------------|-----|------------|---------------|
| 1   | H81459   | SCREW        | 1   |            |               |
| 2   | H81460   | DUST SHIELD  | 1   |            |               |
| 3   | .....    | ISOLATOR     | 1   |            | (SUB AH79858) |
| 4   | AH79858  | COVER        | 1   |            |               |
| 5   | H81458   | GASKET       | 1   |            |               |
| 6   | H81471   | SEAT         | 1   |            |               |
| 7   | H81470   | VALVE        | 1   |            |               |
| 8   | H81469   | SPRING       | 1   |            |               |
| 9   | .....    | HOUSING      | 1   |            | (SUB AH76186) |
| 10  | H81462   | SPRING       | 2   |            |               |
| 11  | H81466   | O-RING       | 2   |            |               |
| 12  | H81463   | BEARING      | 2   |            |               |
| 13  | H81464   | POPPET       | 2   |            |               |
| 14  | H81465   | SPRING       | 2   |            |               |
| 15  | H81468   | O-RING       | 2   |            |               |
| 16  | H81467   | FITTING PLUG | 2   |            |               |
| 17  | .....    | SCREW        | 2   |            | (SUB AH79857) |
| 18  | .....    | RETAINER     | 2   |            | (SUB AH79857) |
| 19  | .....    | SPRING       | 2   |            | (SUB AH79857) |
| 20  | .....    | RETAINER     | 2   |            | (SUB AH79857) |
| 21  | .....    | PACKING      | 2   |            | (SUB AH79857) |
| 22  | .....    | PACKING      | 2   |            | (SUB AH79857) |
| 23  | .....    | PISTON       | 2   |            | (SUB AH79857) |
| 24  | .....    | O-RING       | 2   |            | (SUB AH79857) |
| 25  | AH79857  | PISTON       | 2   |            |               |
| 26  | R21612   | BLEED SCREW  | 1   |            |               |
| 27  | H81472   | SNAP RING    | 2   |            |               |
| 28  | H77378   | BOOT         | 2   |            |               |
| 29  | 19H2247  | CAP SCREW    | 4   |            | 7/16" X 1"    |
| 30  | H81461   | RETAINER     | 2   |            |               |
| ..  | AH76186  | CYLINDER     | 1   |            |               |

# 1113

HP801 -UN-01JAN94

**BRAKE SLAVE CYLINDER**  
(SERIAL NO. -550000)



HP801

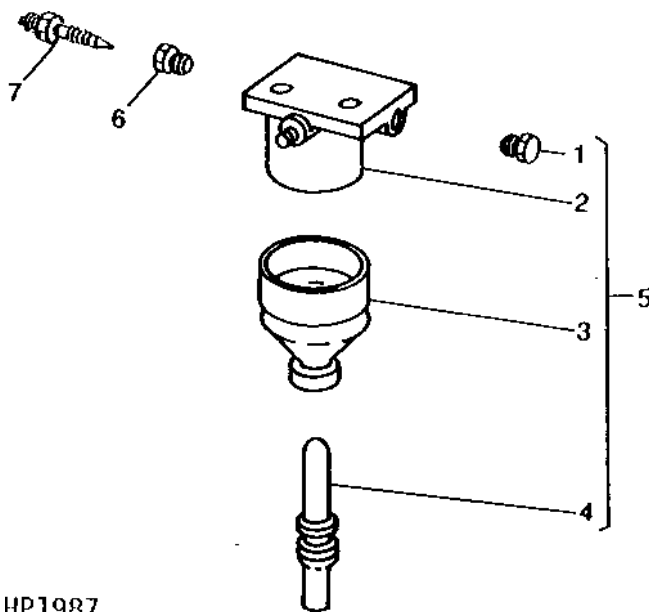
| KEY | PART NO. | PART NAME              | QTY | SERIAL NO. | REMARKS                             |
|-----|----------|------------------------|-----|------------|-------------------------------------|
| 1   | H100457  | FITTING                | 1   |            | (KIT AH100003)                      |
| 2   | AH99360  | CYLINDER               | 1   | -550000    | (SUB AH112541, H117041 AND H117042) |
|     | AH112541 | CYLINDER               | 1   |            |                                     |
| 3   | .....    | STOP                   | 1   |            | (KIT AH100003)                      |
| 4   | .....    | SPRING                 | 1   |            | (KIT AH100003)                      |
| 5   | .....    | PACKING                | 1   |            | (KIT AH100003)                      |
| 6   | .....    | PISTON                 | 1   |            | (KIT AH100003)                      |
| 7   | .....    | SNAP RING              | 1   |            | (KIT AH100003)                      |
| 8   | H111566  | BOOT                   | 1   | -550000    | (SUB H114990 AND H114991)           |
|     | H114990  | PUSH ROD               | 1   |            |                                     |
|     | H114991  | BOOT                   | 1   |            |                                     |
| ..  | AH100003 | KIT                    | 1   | -550000    | BRAKE CYLINDER, (SUB AH112542)      |
| ..  | AH112542 | HYDRAULIC CYLINDER KIT | 1   |            | BRAKE CYLINDER                      |

NOTE: QUANTITIES SHOWN ARE FOR ONE UNIT. TWO UNITS USED PER MACHINE.

# 1114

**BRAKE SLAVE CYLINDER**  
(SERIAL NO. 550001- )

HP1987 -UN-01JAN94



| KEY | PART NO. | PART NAME              | QTY | SERIAL NO. | REMARKS         |
|-----|----------|------------------------|-----|------------|-----------------|
| 1   | H100457  | FITTING                | 2   |            | (SHIPPING PLUG) |
| 2   | .....    | HOUSING                | 1   |            |                 |
| 3   | H114991  | BOOT                   | 1   |            |                 |
| 4   | H114990  | PUSH ROD               | 1   |            |                 |
| 5   | AH112541 | CYLINDER               | 1   |            |                 |
| 6   | H117041  | FITTING                | 2   |            |                 |
| 7   | H117042  | BLEED SCREW            | 1   |            |                 |
| ..  | AH112542 | HYDRAULIC CYLINDER KIT | 1   |            |                 |

NOTE: QUANTITIES SHOWN ARE FOR ONE UNIT. TWO UNITS USED PER MACHINE.

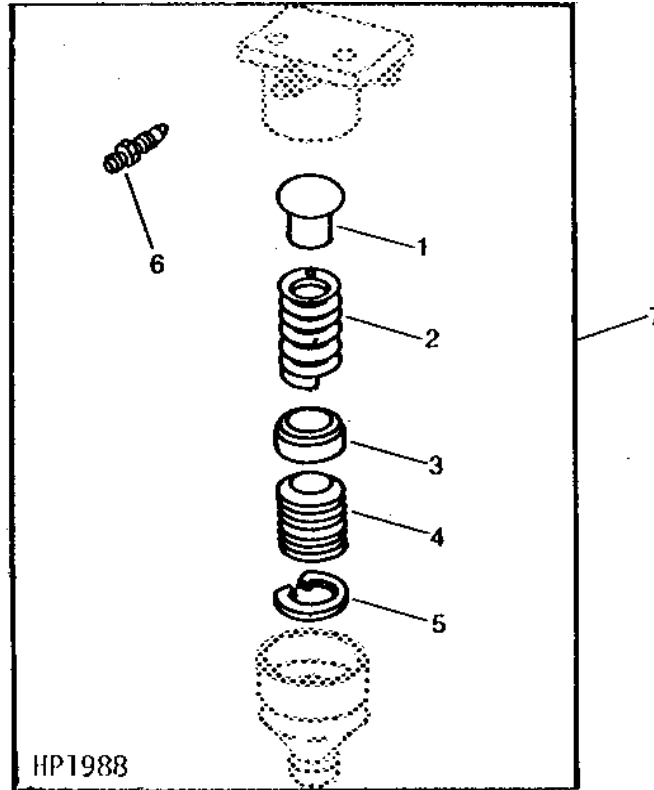
---

MEMORANDA

# 1115

HP1988 -UN-01JAN94

## KIT, BRAKE SLAVE CYLINDER

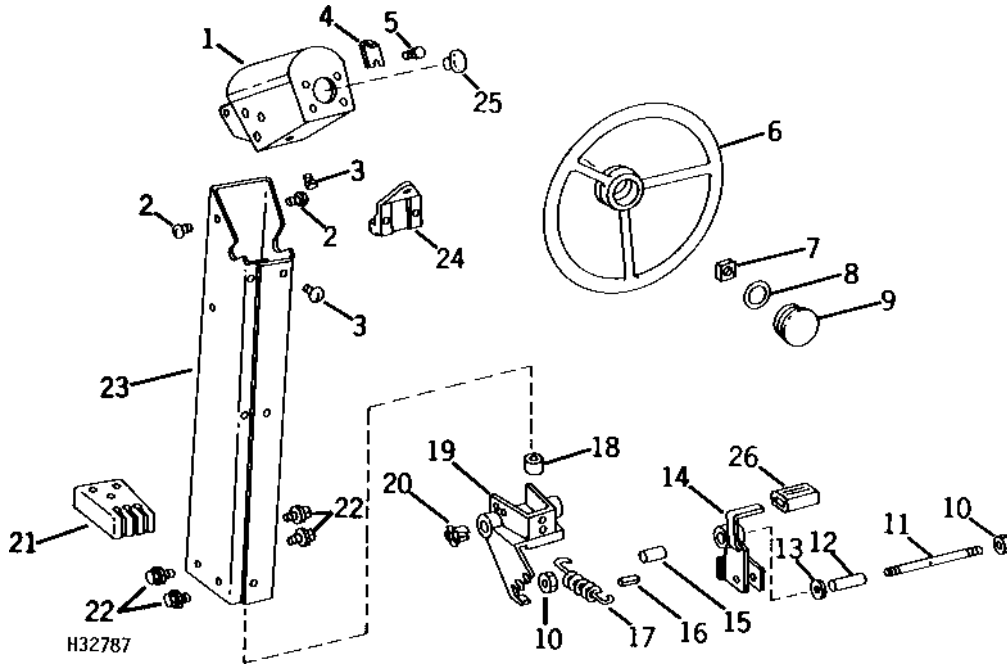


| KEY | PART NO. | PART NAME              | QTY | SERIAL NO. | REMARKS        |
|-----|----------|------------------------|-----|------------|----------------|
| 1   | .....    | STOP                   | 1   |            |                |
| 2   | .....    | SPRING                 | 1   |            |                |
| 3   | .....    | PACKING                | 1   |            |                |
| 4   | .....    | PISTON                 | 1   |            |                |
| 5   | .....    | SNAP RING              | 1   |            |                |
| 6   | .....    | BLEED SCREW            | 1   |            |                |
| 7   | AH112542 | HYDRAULIC CYLINDER KIT | 1   |            | BRAKE CYLINDER |

# 1116

H32787 -UN-01JAN94

## STEERING COLUMN AND WHEEL



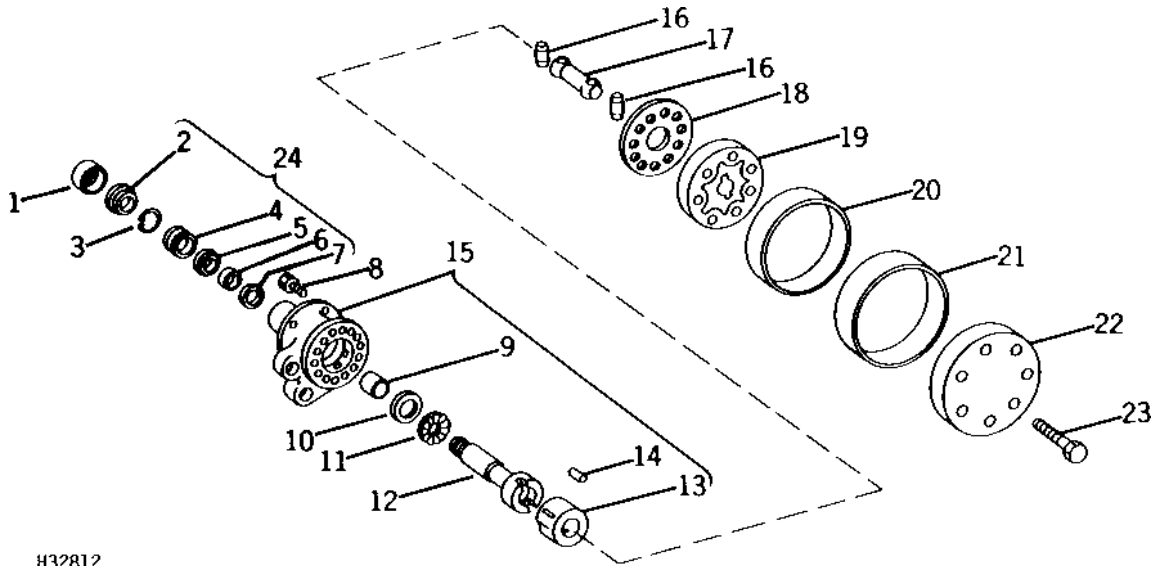
| KEY | PART NO. | PART NAME       | QTY | SERIAL NO. | REMARKS                     |
|-----|----------|-----------------|-----|------------|-----------------------------|
| 1   | H99274   | STEERING COLUMN | 1   |            | (BELT DRIVE)                |
|     | AH94133  | STEERING COLUMN | 1   |            | (HYDROSTATIC DRIVE)         |
| 2   | H99275   | SCREW           | 2   |            | SELF-TAPPING                |
| 3   | H99276   | SCREW           | 3   |            |                             |
| 4   | H82556   | SUPPORT         | 1   |            | (LOW SHAFT SPEED INDICATOR) |
| 5   | H99277   | CAP SCREW       | 4   |            |                             |
|     | R53669   | THRUST WASHER   | 4   |            |                             |
| 6   | AR26625  | STEERING WHEEL  | 1   |            |                             |
| 7   | H35228   | NUT             | 1   |            |                             |
| 8   | B3690R   | O-RING          | 1   |            |                             |
| 9   | R47998   | CAP             | 1   |            |                             |
| 10  | 14H1040  | NUT             | 2   |            | 1/2"                        |
|     | 12H301   | LOCK WASHER     | 2   |            | 1/2"                        |
| 11  | H84624   | STUD            | 1   |            |                             |
| 12  | 28H1845  | BUSHING         | 1   |            | 1/2" X 3-13/16"             |
| 13  | 24H1788  | WASHER          | 1   |            | 17/32" X 1-1/8" X 0.060"    |
| 14  | AH96744  | PEDAL           | 1   |            |                             |
| 15  | H84625   | BUSHING         | 1   |            |                             |
| 16  | 34H329   | SPRING PIN      | 1   |            | 5/16" X 1-1/4"              |
| 17  | H77924   | SPRING          | 1   |            |                             |
| 18  | H86876   | WASHER          | 3   |            |                             |
| 19  | AH89824  | PIVOT           | 1   |            |                             |
| 20  | H86870   | BUSHING         | 2   |            |                             |
| 21  | H95361   | SEAL            | 1   |            |                             |
| 22  | H99275   | SCREW           | 5   |            | SELF-TAPPING                |
| 23  | H99273   | STEERING COLUMN | 1   |            |                             |
| 24  | H77937   | BEARING         | 1   |            |                             |
| 25  | AH61036  | LAMP            | 1   |            | (LOW SHAFT SPEED INDICATOR) |
| 26  | H98237   | PAD             | 1   |            |                             |



# 1117

H32812 -UN-01JAN94

## STEERING PUMP



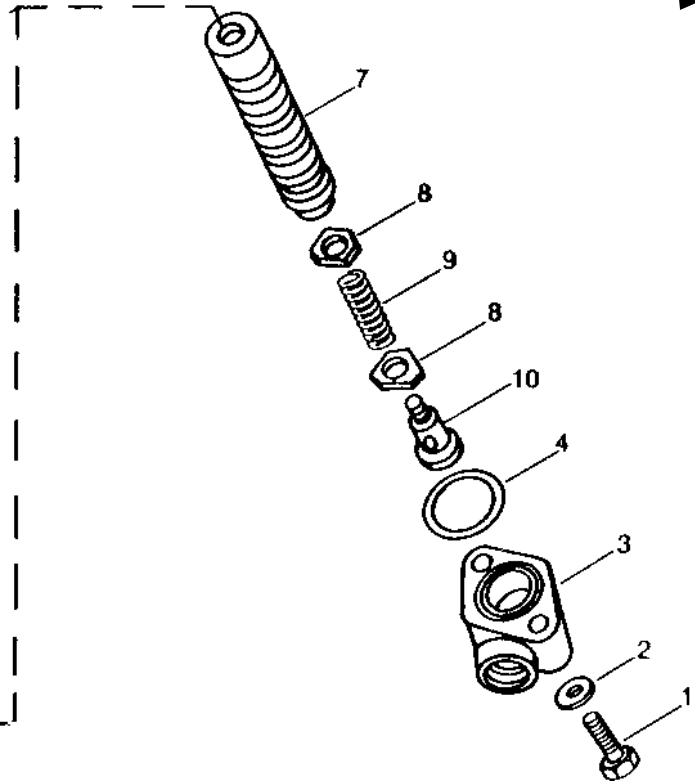
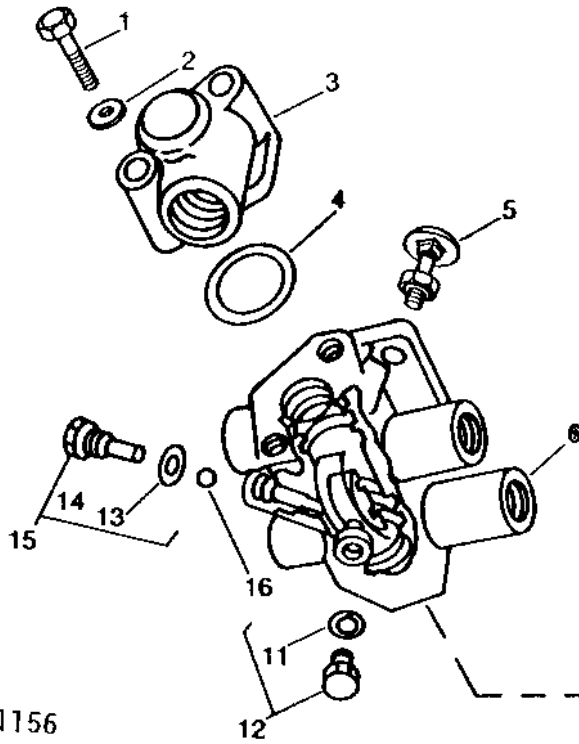
H32812

| KEY | PART NO. | PART NAME      | QTY | SERIAL NO.                 | REMARKS |
|-----|----------|----------------|-----|----------------------------|---------|
| 1   | H35227   | SEAL           | 1   |                            |         |
| 2   | .....    | SEAL           | 1   |                            |         |
| 3   | H35226   | SNAP RING      | 1   |                            |         |
| 4   | .....    | SPACER         | 1   |                            |         |
| 5   | .....    | SEAL           | 1   |                            |         |
| 6   | .....    | SEAL           | 1   |                            |         |
| 7   | .....    | WASHER         | 1   |                            |         |
| 8   | 19H1900  | CAP SCREW      | 4   | 5/16" X 3/4"               |         |
| 9   | AH20812  | BEARING        | 1   |                            |         |
| 10  | H35213   | THRUST BEARING | 1   |                            |         |
| 11  | AH20813  | BEARING        | 1   |                            |         |
| 12  | H35212   | SHAFT          | 1   |                            |         |
| 13  | .....    | RING           | 1   | (COMMUTATOR) (SUB AH20811) |         |
| 14  | H35214   | DOWEL PIN      | 2   |                            |         |
| 15  | AH20811  | HOUSING        | 1   |                            |         |
| 16  | H35216   | PIN            | 2   |                            |         |
| 17  | H35215   | LINK           | 1   |                            |         |
| 18  | H64747   | BUSHING        | 1   |                            |         |
| 19  | AH78779  | STATOR         | 1   |                            |         |
| 20  | H35219   | BUSHING        | 1   |                            |         |
| 21  | H35218   | BUSHING        | 1   |                            |         |
| 22  | H35220   | COVER          | 1   |                            |         |
| 23  | H35221   | CAP SCREW      | 7   |                            |         |
| 24  | AH91068  | KIT            | 1   | SEAL REPAIR                |         |
| ..  | AH75429  | PUMP           | 1   | (REMANUFACTURED)           |         |

# 1118

HP1156 -UN-01JAN94

## STEERING CONTROL VALVE



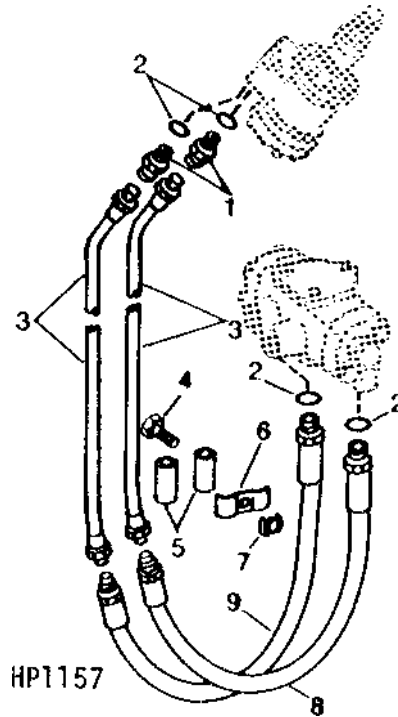
HP1156

| KEY | PART NO. | PART NAME  | QTY | SERIAL NO.       | REMARKS |
|-----|----------|------------|-----|------------------|---------|
| 1   | 19H1801  | CAP SCREW  | 4   | 3/8" X 2"        |         |
| 2   | H30816   | WASHER     | 4   |                  |         |
| 3   | H35210   | VALVE      | 2   |                  |         |
| 4   | H36257   | WASHER     | 2   |                  |         |
| 5   | 21H1069  | SCREW      | 3   | 3/8" X 1"        |         |
|     | 14H812   | NUT        | 3   | 3/8"             |         |
| 6   | .....    | HOUSING    | 1   | (SUB AH19773)    |         |
| 7   | .....    | SPOOL      | 1   | (SUB AH19773)    |         |
| 8   | H35207   | WASHER     | 2   | O-RING           |         |
| 9   | H35208   | SPRING     | 1   |                  |         |
| 10  | H35209   | SCREW      | 1   |                  |         |
| 11  | R26286   | O-RING     | 1   |                  |         |
| 12  | AH20809  | FITTING    | 1   |                  |         |
| 13  | R26287   | O-RING     | 1   |                  |         |
| 14  | 34H250   | SPRING PIN | 1   | 1/8" X 15/16"    |         |
| 15  | AH20810  | PLUG       | 1   |                  |         |
| 16  | P49134   | BALL       | 1   |                  |         |
| ..  | AH19773  | VALVE      | 1   | (REMANUFACTURED) |         |

# 1119

HP1157 -UN-01JAN94

## STEERING UPPER OIL LINES

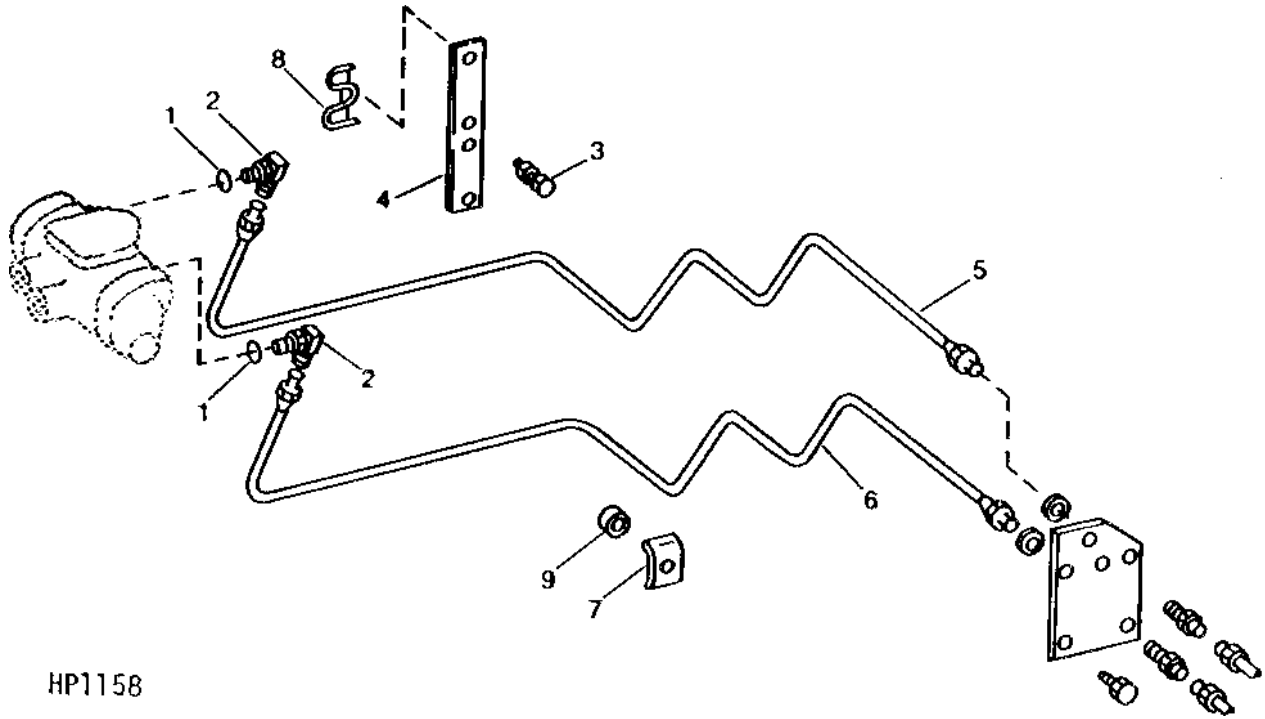


| KEY | PART NO. | PART NAME      | QTY | SERIAL NO.     | REMARKS                               |
|-----|----------|----------------|-----|----------------|---------------------------------------|
| 1   | R27237   | FITTING        | 2   |                |                                       |
| 2   | R26375   | O-RING         | 4   |                |                                       |
| 3   | AH76838  | LINE           | 2   |                |                                       |
| 4   | 19H1849  | CAP SCREW      | 1   | 5/16" X 1-1/4" |                                       |
| 5   | H22979   | BUSHING        | 2   |                |                                       |
| 6   | H78560   | CLAMP          | 1   |                |                                       |
| 7   | P43033   | NUT            | 1   |                |                                       |
| 8   | AH76841  | HYDRAULIC HOSE | 1   |                | 13 MM X 508 MM (1/2" I.D. X 20") LONG |
| 9   | AH76842  | HYDRAULIC HOSE | 1   |                | 13 MM X 584 MM (1/2" I.D. X 23") LONG |

# 1120

HP1158 -UN-01JAN94

## STEERING LOWER OIL LINES (FRONT)



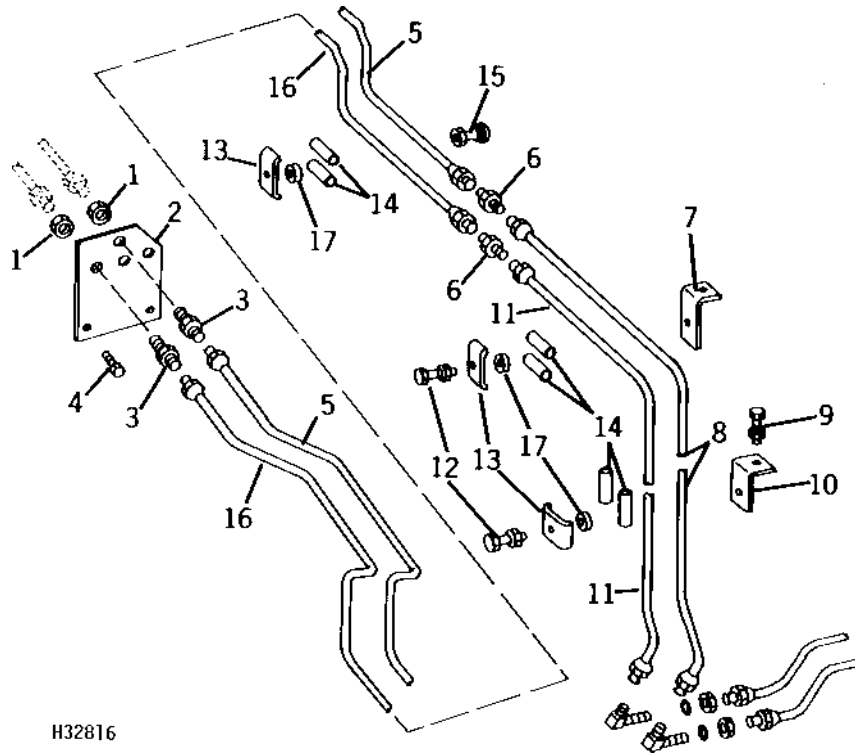
HP1158

| KEY | PART NO. | PART NAME     | QTY | SERIAL NO.   | REMARKS |
|-----|----------|---------------|-----|--------------|---------|
| 1   | R26448   | O-RING        | 2   |              |         |
| 2   | AR26725  | ELBOW FITTING | 2   | 90°          |         |
| 3   | 08H4416  | BOLT          | 1   | 5/16" X 1"   |         |
|     | 14H785   | NUT           | 1   | 5/16"        |         |
| 4   | H87781   | STRAP         | 1   |              |         |
| 5   | AH103603 | LINE          | 1   |              | UPPER   |
| 6   | AH103604 | LINE          | 1   |              | LOWER   |
| 7   | H83208   | CLAMP         | 1   |              |         |
| 8   | AH83845  | CLAMP         | 1   |              |         |
| 9   | 28H90    | BUSHING       | 1   | 1/4" X 7/16" |         |

# 1121

H32816 -UN-01JAN94

## STEERING LOWER OIL LINES (MIDDLE)

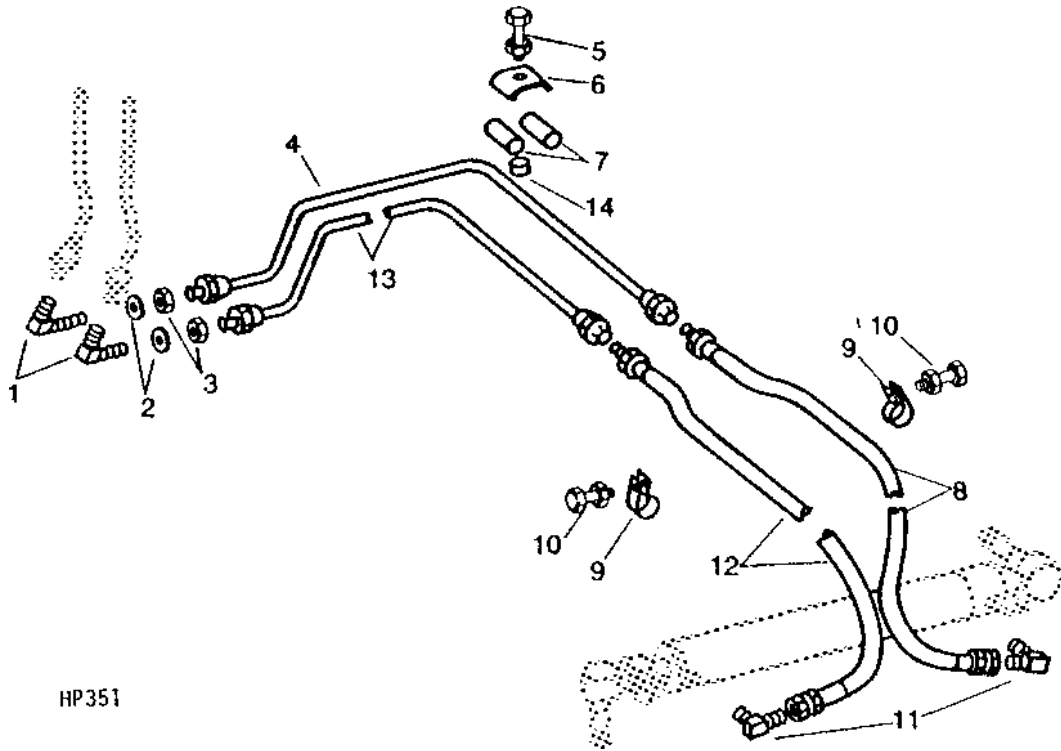


H32816

| KEY | PART NO. | PART NAME | QTY | SERIAL NO. | REMARKS        |
|-----|----------|-----------|-----|------------|----------------|
| 1   | R26572   | NUT       | 2   |            |                |
| 2   | H79019   | BRACKET   | 1   |            | UPPER          |
| 3   | R27238   | FITTING   | 2   |            |                |
| 4   | H65108   | SCREW     | 2   |            | SELF-TAPPING   |
| 5   | AH77462  | LINE      | 1   |            | R.H.           |
| 6   | R27095   | FITTING   | 2   |            |                |
| 7   | H79573   | BRACKET   | 1   |            | MIDDLE         |
| 8   | AH77387  | LINE      | 1   |            | UPPER          |
| 9   | 19H1813  | CAP SCREW | 1   |            | 5/16" X 5/8"   |
|     | 14H785   | NUT       | 1   |            | 5/16"          |
| 10  | H79577   | BRACKET   | 1   |            | LOWER          |
| 11  | AH77386  | LINE      | 1   |            | LOWER          |
| 12  | 19H1849  | CAP SCREW | 2   |            | 5/16" X 1-1/4" |
|     | 14H785   | NUT       | 2   |            | 5/16"          |
| 13  | H83208   | CLAMP     | 3   |            |                |
| 14  | H23932   | ISOLATOR  | 6   |            | RUBBER         |
| 15  | 03H1613  | BOLT      | 1   |            | 5/16" X 1-1/4" |
|     | 14H785   | NUT       | 1   |            | 5/16"          |
| 16  | AH77463  | LINE      | 1   |            | L.H.           |
| 17  | 28H90    | BUSHING   | 1   |            | 1/4" X 7/16"   |

HP351 -UN-01JAN94

STEERING LOWER OIL LINES (REAR)



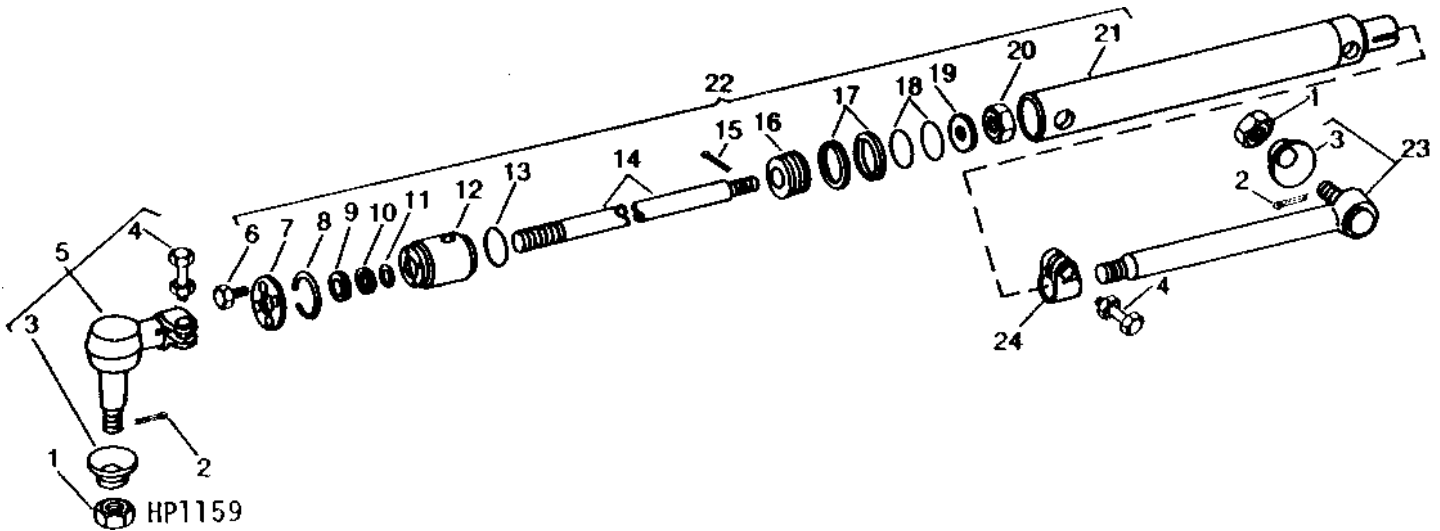
HP351

| KEY | PART NO. | PART NAME      | QTY | SERIAL NO.                | REMARKS   |
|-----|----------|----------------|-----|---------------------------|---|
| 1   | H75413   | ELBOW FITTING  | 2   | 90°                       |   |
| 2   | 24H1357  | WASHER         | 2   | 19/32" X 1-5/32" X 0.090" |   |
| 3   | R26572   | NUT            | 2   |                           |   |
| 4   | AH77148  | LINE           | 1   | R.H.                      |   |
| 5   | 19H1849  | CAP SCREW      | 1   | 5/16" X 1-1/4"            |   |
|     | 14H785   | NUT            | 1   | 5/16"                     |   |
| 6   | H83208   | CLAMP          | 1   |                           |   |
| 7   | H23932   | ISOLATOR       | 2   | RUBBER                    |   |
| 8   | AH75507  | HYDRAULIC HOSE | 1   | -500000                   | R.H., 6 MM X 610 MM (1/4" I.D. X 24") LONG,<br>(FIXED REAR AXLE)        |
|     | AH75510  | HYDRAULIC HOSE | 1   |                           | R.H., 6 MM X 914 MM (1/4" I.D. X 36") LONG,<br>(ADJUSTABLE REAR AXLE)   |
| 9   | H77358   | CLIP           | AR  |                           | (2 USED, FIXED REAR AXLE; 4 USED, ADJUSTABLE<br>REAR AXLE)              |
| 10  | 19H1919  | CAP SCREW      | AR  |                           | 1/4" X 5/8", (2 USED, FIXED REAR AXLE; 4<br>USED, ADJUSTABLE REAR AXLE) |
|     | 14H786   | NUT            | AR  |                           | 1/4", (2 USED, FIXED REAR AXLE; 4 USED,<br>ADJUSTABLE REAR AXLE)        |
| 11  | AR26635  | ELBOW FITTING  | 2   | 90°                       |   |
| 12  | AH75507  | HYDRAULIC HOSE | 1   | -500000                   | L.H., 6 MM X 610 MM (1/4" I.D. X 24") LONG,<br>(NARROW FIXED REAR AXLE) |
|     | AH75509  | HYDRAULIC HOSE | 1   | -500000                   | L.H., 6 MM X 813 MM (1/4" I.D. X 32") LONG,<br>(WIDE FIXED REAR AXLE)   |
|     | AH75511  | HYDRAULIC HOSE | 1   |                           | L.H., 6 MM X 1118 MM (1/4" I.D. X 44") LONG,<br>(ADJUSTABLE REAR AXLE)  |
| 13  | AH77147  | LINE           | 1   | L.H.                      |   |
| 14  | 28H90    | BUSHING        | 1   | 1/4" X 7/16"              |   |

# 1123

HP1159 -UN-01JAN94

## POWER STEERING CYLINDER

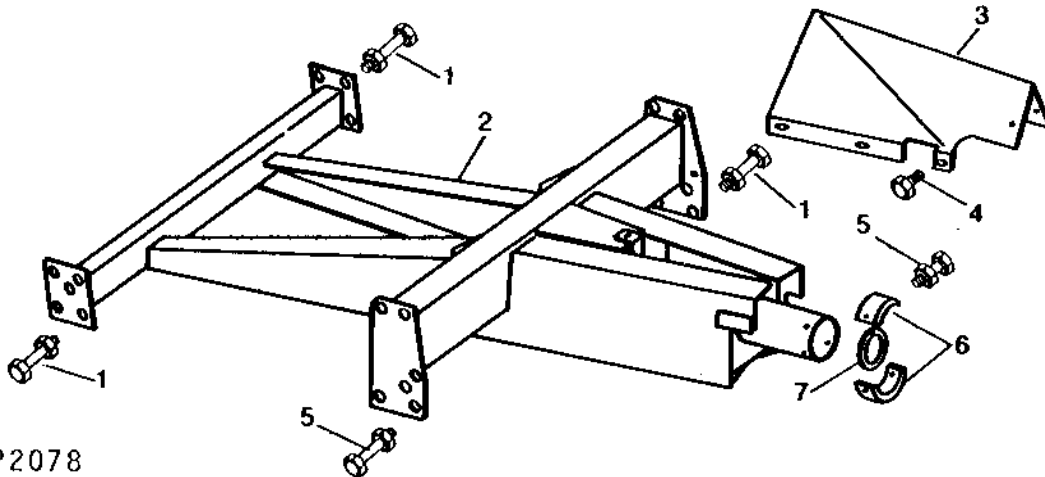


| KEY | PART NO. | PART NAME                 | QTY | SERIAL NO.                | REMARKS                           |
|-----|----------|---------------------------|-----|---------------------------|-----------------------------------|
| 1   | 14H918   | NUT                       | 2   | 5/8"                      |                                   |
| 2   | 11H236   | COTTER PIN                | 2   | 1/8" X 1"                 |                                   |
| 3   | H35664   | BOOT                      | 2   |                           |                                   |
| 4   | 19H1765  | CAP SCREW                 | 2   | 3/8" X 1-3/4"             |                                   |
| 5   | 14H812   | NUT                       | 2   | 3/8"                      |                                   |
| 5   | AH75396  | TIE ROD END               | 1   | -500000                   | (USE WITH NARROW FIXED REAR AXLE) |
| 5   | AH75396  | TIE ROD END               | 1   |                           | (USE WITH ADJUSTABLE REAR AXLE)   |
| 6   | 21H1301  | SCREW                     | 4   | 0.190" X 1/2"             |                                   |
| 7   | H31254   | WASHER                    | 1   |                           |                                   |
| 8   | H31253   | SNAP RING                 | 1   |                           |                                   |
| 9   | AM3426T  | SEAL                      | 1   |                           |                                   |
| 10  | H60330   | BACK-UP RING              | 1   |                           |                                   |
| 11  | P48347   | O-RING                    | 1   |                           |                                   |
| 12  | H35242   | BEARING                   | 1   |                           |                                   |
| 13  | U10289   | O-RING                    | 1   |                           |                                   |
| 14  | H35240   | ROD                       | 1   |                           |                                   |
| 15  | 11H234   | COTTER PIN                | 1   | 3/32" X 1"                |                                   |
| 16  | H35241   | PISTON                    | 1   |                           |                                   |
| 17  | H35243   | PISTON RING               | 2   |                           |                                   |
| 18  | H35244   | RING                      | 2   |                           |                                   |
| 19  | 24H1111  | WASHER                    | 1   | 17/32" X 1-1/16" X 0.090" |                                   |
| 20  | 14H994   | NUT                       | 1   | 1/2"                      |                                   |
| 21  | AH20836  | HYDRAULIC CYLINDER BARREL | 1   |                           |                                   |
| 22  | AH19764  | HYDRAULIC CYLINDER        | 1   | -500000                   | (USE WITH NARROW FIXED REAR AXLE) |
| 22  | AH19764  | HYDRAULIC CYLINDER        | 1   |                           | (USE WITH ADJUSTABLE REAR AXLE)   |
| 23  | AH75397  | TIE ROD END               | 1   |                           | (USE WITH ADJUSTABLE REAR AXLE)   |
| 23  | AH75397  | TIE ROD END               | 1   | -500000                   | (USE WITH NARROW FIXED REAR AXLE) |
| 23  | AH75398  | END                       | 1   | -500000                   | (USE WITH WIDE FIXED REAR AXLE)   |
| 24  | M2300T   | CLAMP                     | 1   |                           |                                   |

# 1124

HP2078 -UN-01JAN94

## REAR AXLE MOUNTING

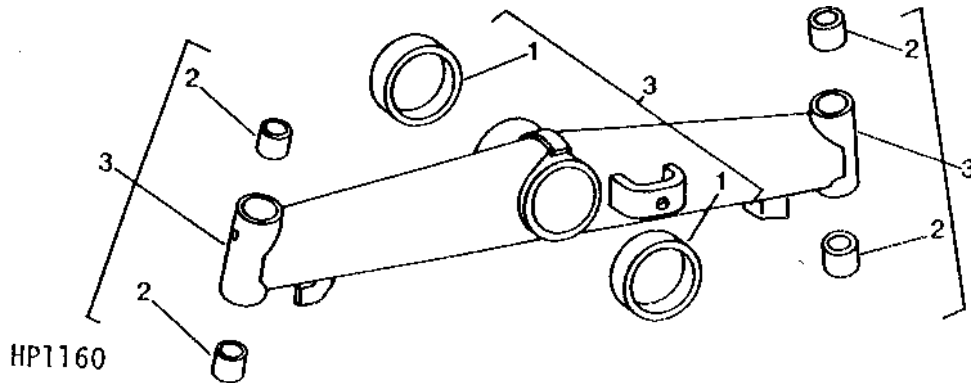


HP2078

| KEY | PART NO. | PART NAME | QTY | SERIAL NO. | REMARKS       |
|-----|----------|-----------|-----|------------|---------------|
| 1   | 19H1731  | CAP SCREW | 13  |            | 3/8" X 1"     |
|     | 14H812   | NUT       | 13  |            | 3/8"          |
| 2   | AH90642  | SUPPORT   | 1   |            |               |
| 3   | H76918   | DEFLECTOR | 1   |            |               |
| 4   | H65108   | SCREW     | 6   |            | SELF-TAPPING  |
| 5   | 19H1732  | CAP SCREW | 9   |            | 3/8" X 1-1/4" |
|     | 14H812   | NUT       | 9   |            | 3/8"          |
| 6   | H75775   | STOP      | 2   |            |               |
| 7   | H26433   | WASHER    | 1   |            |               |

## FIXED REAR AXLE (SERIAL NO. -500000)

HP1160 -UN-01JAN94



HP1160

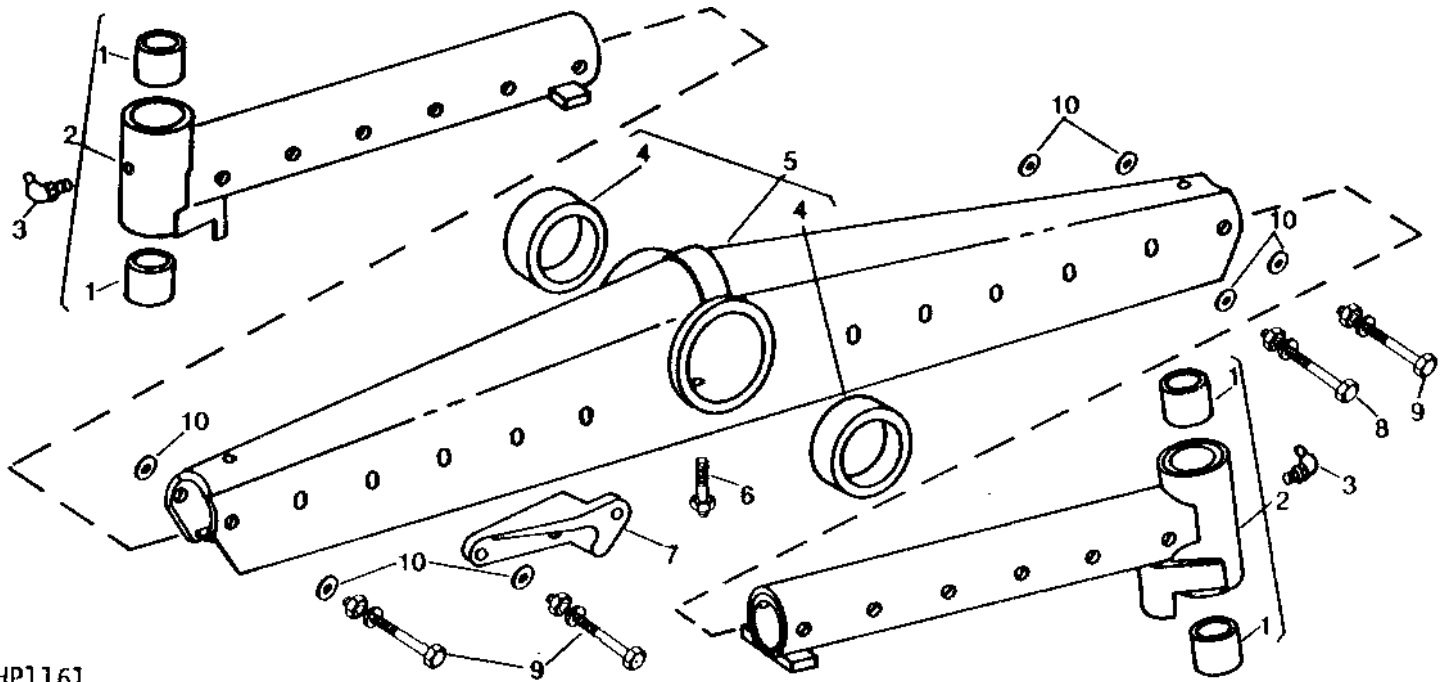
| KEY | PART NO. | PART NAME           | QTY | SERIAL NO. | REMARKS               |
|-----|----------|---------------------|-----|------------|-----------------------|
| 1   | H86254   | BUSHING             | 2   |            |                       |
| 2   | H75777   | BUSHING             | 4   |            |                       |
| 3   | AH87546  | REAR AXLE           | 1   |            | NARROW, WITH BUSHINGS |
|     | AH87547  | REAR AXLE           | 1   |            | WIDE, WITH BUSHINGS   |
| 4   | JD7806   | LUBRICATION FITTING | 2   |            | 90°, 1/4"             |
| 5   | JD7813   | LUBRICATION FITTING | 1   |            | STRAIGHT, 1/4"        |



# 1125

HP1161 -UN-01JAN94

## ADJUSTABLE REAR AXLE

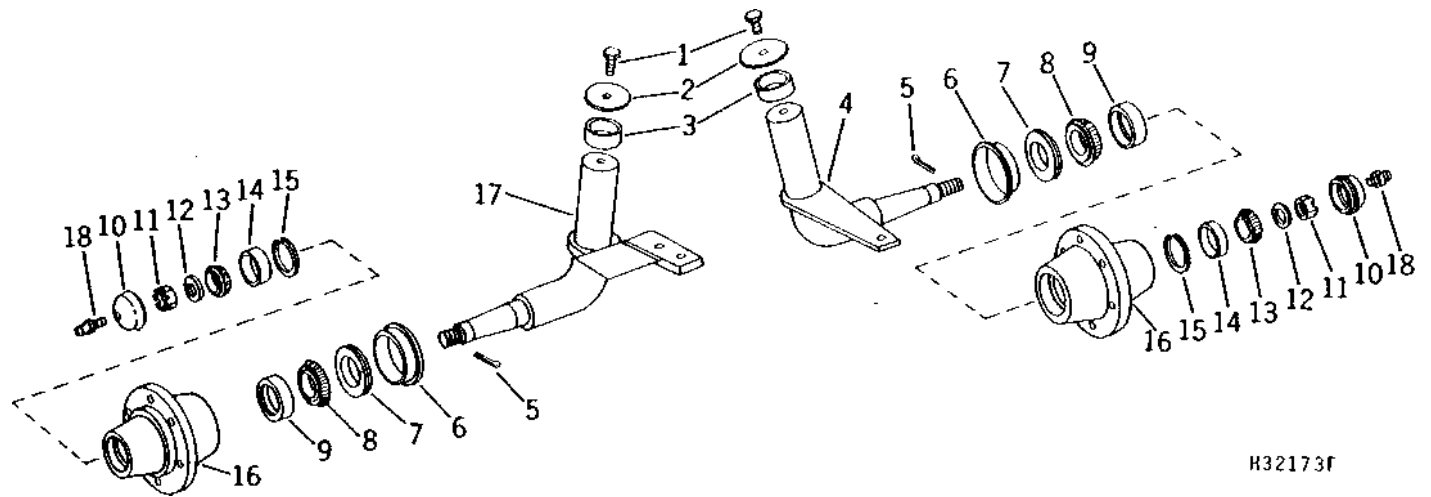


| KEY | PART NO. | PART NAME           | QTY | SERIAL NO. | REMARKS        |
|-----|----------|---------------------|-----|------------|----------------|
| 1   | H75777   | BUSHING             | 4   |            |                |
| 2   | AH75332  | AXLE KNEE           | 2   |            |                |
| 3   | JD7806   | LUBRICATION FITTING | 2   |            | 90°, 1/4"      |
| 4   | H86254   | BUSHING             | 2   |            |                |
| 5   | AH87545  | AXLE                | 1   |            |                |
| 6   | JD7813   | LUBRICATION FITTING | 1   |            | STRAIGHT, 1/4" |
| 7   | H75931   | BRACKET             | 1   |            |                |
| 8   | 19H2718  | CAP SCREW           | 2   |            | 5/8" X 4-3/4"  |
|     | 14H800   | NUT                 | 2   |            | 5/8"           |
| 9   | 19H3174  | CAP SCREW           | 4   |            | 5/8" X 5-1/4"  |
|     | 14H800   | NUT                 | 4   |            | 5/8"           |
| 10  | T40728   | WASHER              | 10  |            |                |

# 1J1

H32173F -UN-01JAN94

## REAR AXLE SPINDLES



H32173F

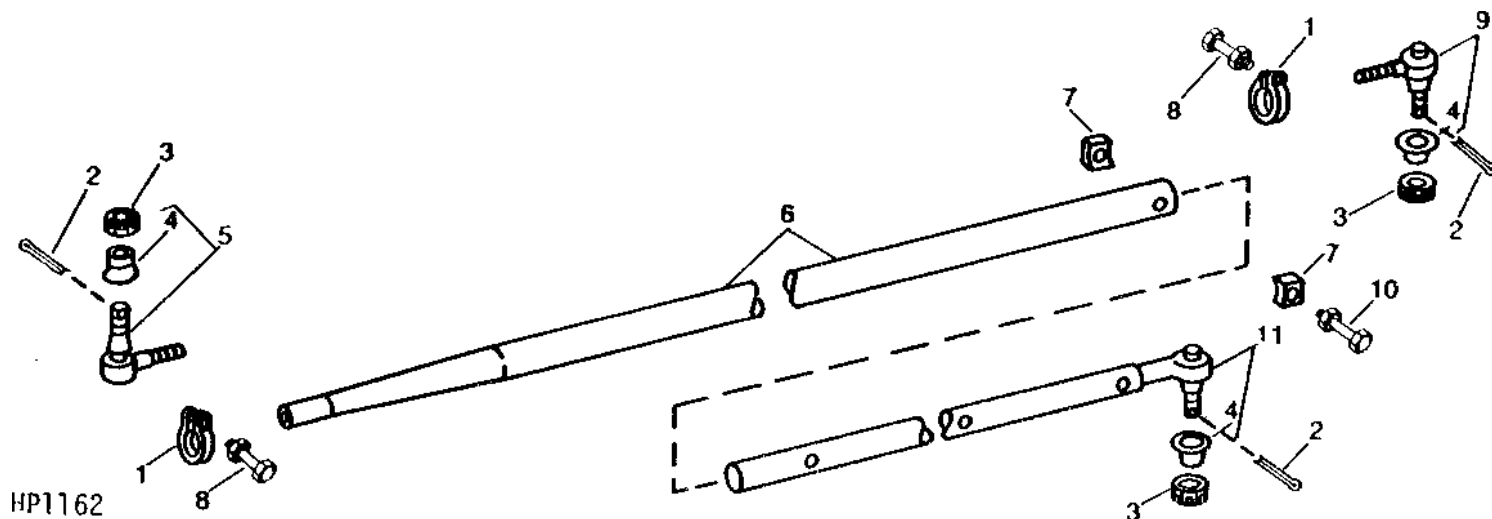
| KEY | PART NO. | PART NAME           | QTY | SERIAL NO.     | REMARKS |
|-----|----------|---------------------|-----|----------------|---------|
| 1   | 19H1731  | CAP SCREW           | 2   | 3/8" X 1"      |         |
| 2   | H77999   | WASHER              | 2   |                |         |
| 3   | JD8412   | THRUST BEARING      | 2   |                |         |
| 4   | AH75407  | SPINDLE             | 1   | R.H.           |         |
| 5   | 11H237   | COTTER PIN          | 2   | 1/8" X 2"      |         |
| 6   | H75937   | SLEEVE              | 2   |                |         |
| 7   | AH75408  | SEAL                | 2   |                |         |
| 8   | JD8902   | BEARING CONE        | 2   |                |         |
| 9   | JD8237   | BEARING CUP         | 2   |                |         |
| 10  | H76047   | CAP                 | 2   |                |         |
| 11  | 14H875   | NUT                 | 2   | 7/8"           |         |
| 12  | T19572   | WASHER              | 1   |                |         |
| 13  | JD8187   | BEARING CONE        | 2   |                |         |
| 14  | JD8225   | BEARING CUP         | 2   |                |         |
| 15  | Z9902H   | SNAP RING           | 2   |                |         |
| 16  | H89772   | HUB                 | 2   |                |         |
| 17  | AH75405  | SPINDLE             | 1   | L.H.           |         |
| 18  | JD7759   | LUBRICATION FITTING | 1   | STRAIGHT, 1/8" |         |

# 1J2

## STEERING AND BRAKES

HP1162 -UN-01JAN94

### STEERING TIE RODS



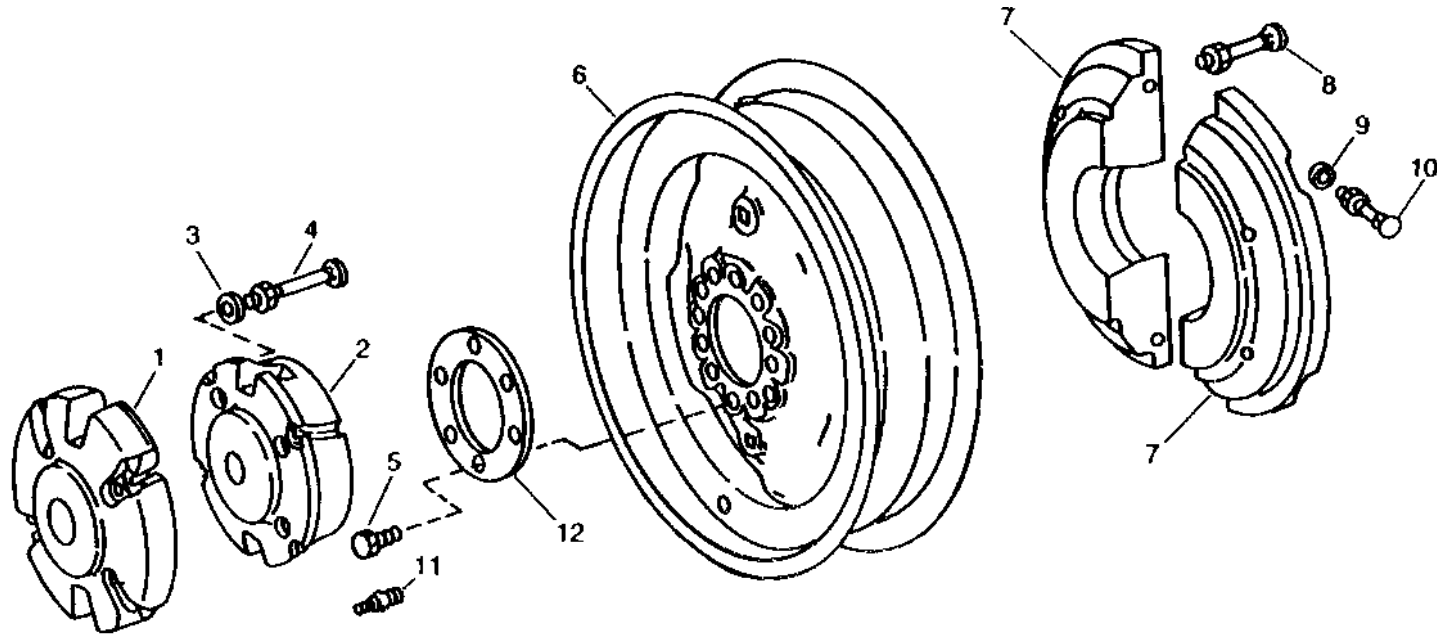
HP1162

| KEY | PART NO. | PART NAME       | QTY | SERIAL NO. | REMARKS                                     |
|-----|----------|-----------------|-----|------------|---|
| 1   | M2300T   | CLAMP           | 1   |            | (ADJUSTABLE REAR AXLE)                      |
|     | AP18380  | CLAMP           | 2   | -500000    | (FIXED REAR AXLE)                           |
| 2   | 11H236   | COTTER PIN      | 2   |            | 1/8" X 1"                                   |
| 3   | 14H862   | NUT             | 2   |            | 9/16"                                       |
| 4   | H28271   | SEAL            | 2   |            |   |
| 5   | AH79241  | UNIVERSAL JOINT | 1   |            | R.H. THREAD, WITH SHIELD                    |
| 6   | H80252   | TUBE            | 1   |            | (ADJUSTABLE REAR AXLE)                      |
|     | H75928   | TIE ROD         | 1   | -500000    | (NARROW FIXED REAR AXLE)                    |
|     | H75929   | TIE ROD         | 1   | -500000    | (WIDE FIXED REAR AXLE)                      |
| 7   | R28024   | CLAMP           | 2   |            | (ADJUSTABLE REAR AXLE)                      |
| 8   | 19H1765  | CAP SCREW       | 1   |            | 3/8" X 1-3/4", (ADJUSTABLE REAR AXLE)       |
|     | 14H812   | NUT             | 1   |            | 3/8", (ADJUSTABLE REAR AXLE)                |
|     | 19H1906  | CAP SCREW       | 2   | -500000    | 5/16" X 1-1/2", (FIXED REAR AXLE)           |
|     | 14H785   | NUT             | 2   | -500000    | 5/16", (FIXED REAR AXLE)                    |
| 9   | AH79240  | BALL JOINT      | 1   | -500000    | L.H. THREAD, WITH SHIELD, (FIXED REAR AXLE) |
| 10  | 19H1944  | CAP SCREW       | 1   |            | 3/8" X 2-3/4", (ADJUSTABLE REAR AXLE)       |
|     | H99923   | LOCK NUT        | 1   |            | (ADJUSTABLE REAR AXLE)                      |
| 11  | AH75402  | ROD             | 1   |            | (ADJUSTABLE REAR AXLE)                      |

# 1J3

HP1163 -UN-01JAN94

## REAR WHEELS AND WHEEL WEIGHTS



HP1163

| KEY | PART NO. | PART NAME       | QTY | SERIAL NO. | REMARKS  |
|-----|----------|-----------------|-----|------------|--|
| 1   | H93799   | WEIGHT          | AR  |            |  |
| 2   | H93849   | WEIGHT          | 1   |            | (16" WHEEL)  |
| 3   | 24H1625  | WASHER          | 4   |            | 17/32" X 1" X 0.120"                               |
| 4   | 03H2261  | BOLT            | 4   |            | 1/2" X 3-1/2"                                      |
|     | 03H1946  | BOLT            | 4   |            | 1/2" X 4-1/2"                                      |
|     | 14H1040  | NUT             | AR  |            | 1/2", (4 USED, WITH 03H1946; 8 USED, WITH 03H2261) |
|     | 12H301   | LOCK WASHER     | 4   |            | 1/2"   |
| 5   | JD16     | WHEEL BOLT      | 6   |            |  |
|     | 19H3384  | CAP SCREW       | 6   |            | 9/16" X 1-3/4"                                     |
| 6   | JD3227   | RIM             | 1   | -400000    | (USE WITH 7.50-20 TIRES)                           |
|     | JD1298   | WHEEL           | 1   | 400001-    | (USE WITH 7.50-20 TIRES)                           |
|     | AE31147  | WHEEL           | 1   |            | (USE WITH 11.00-16 OR 11L-16 TIRES)                |
|     | AE31147  | WHEEL           | 1   |            | (USE WITH 10.00-16 AND 11.00-16 TIRES)             |
| 7   | H78062   | WEIGHT          | 2   |            | (16" AND 20" WHEEL)                                |
| 8   | 03H1946  | BOLT            | 4   |            | 1/2" X 4-1/2"                                      |
|     | 03H2055  | BOLT            | 4   |            | 1/2" X 7-1/2"                                      |
|     | 03H2250  | BOLT            | 4   |            | 1/2" X 9"  |
|     | 14H1040  | NUT             | 4   |            | 1/2"   |
|     | 12H301   | LOCK WASHER     | 4   |            | 1/2"   |
| 9   | 24H1111  | WASHER          | 2   |            | 17/32" X 1-1/16" X 0.090"                          |
| 10  | 03H1806  | BOLT            | 2   |            | 1/2" X 3-3/4"                                      |
|     | 14H1040  | NUT             | 2   |            | 1/2"   |
|     | 12H301   | LOCK WASHER     | 2   |            | 1/2"   |
| 11  | AM30347  | TIRE VALVE STEM | 1   |            | (USE WITH TUBELESS TIRES)                          |
| 12  | H89992   | RING            | 1   |            | (USE WITH 7.50-20 TIRES)                           |

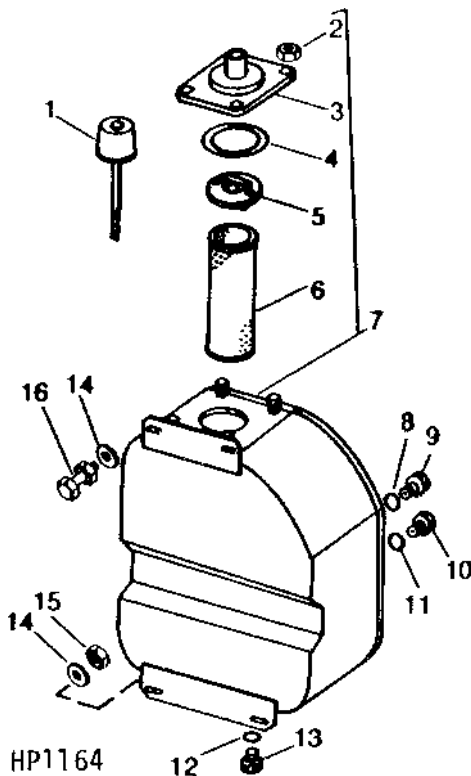
NOTE: QUANTITIES SHOWN ARE FOR ONE UNIT. TWO UNITS PER MACHINE.

# 2A20

HYDRAULICS

HP1164 -UN-01JAN94

## OIL RESERVOIR

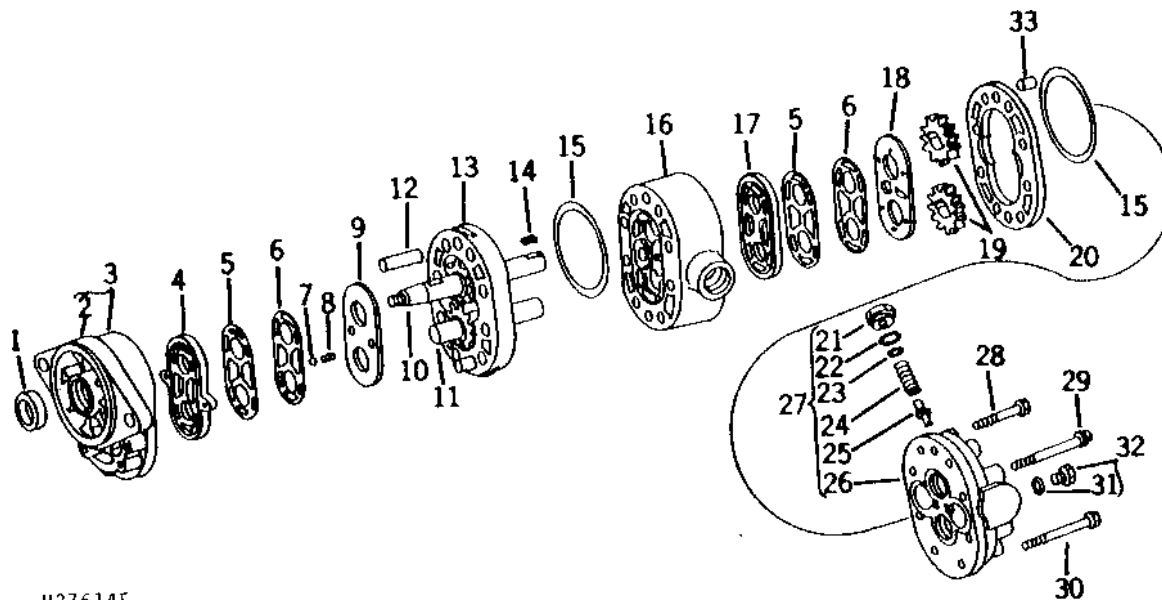


| KEY | PART NO. | PART NAME      | QTY | SERIAL NO.   | REMARKS                                |
|-----|----------|----------------|-----|--------------|--|
| 1   | AH76670  | EXHAUST CAP    | 1   |              |  |
| 2   | 14H786   | NUT            | 6   | 1/4"         |  |
|     | 12H302   | LOCK WASHER    | 6   | 1/4"         |  |
| 3   | AH78763  | COVER          | 1   |              |  |
| 4   | H80405   | O-RING         | 1   |              |  |
| 5   | AH78764  | VALVE          | 1   |              |  |
| 6   | AH76668  | FILTER ELEMENT | 1   |              |  |
| 7   | AH76669  | RESERVOIR      | 1   |              |  |
| 8   | R26906   | O-RING         | 1   |              |  |
| 9   | R27474   | DRAIN PLUG     | 1   |              | (NOT USED WITH HYDROSTATIC DRIVE REEL) |
| 10  | R27175   | DRAIN PLUG     | 1   |              | (NOT USED WITH HYDROSTATIC DRIVE REEL) |
| 11  | U12547   | O-RING         | 1   |              |  |
| 12  | R26448   | O-RING         | 1   |              |  |
| 13  | R27218   | FITTING PLUG   | 1   |              |  |
| 14  | 24H1136  | WASHER         | 4   |              | 11/32" X 11/16" X 0.065"               |
| 15  | 14H785   | NUT            | 2   | 5/16"        |  |
| 16  | 21H1304  | SCREW          | 2   | 5/16" X 3/4" |  |
|     | 14H785   | NUT            | 2   | 5/16"        |  |

# 2A21

H27614 -UN-01JAN94

## HYDRAULIC PUMP (CESSNA NO. 24382-RAB)



H27614F

| KEY | PART NO. | PART NAME      | QTY | SERIAL NO. | REMARKS                                 |
|-----|----------|----------------|-----|------------|---|
| 1   | AH15442  | SEAL           | 1   |            | (A)                                     |
| 2   | .....    | BEARING        | 1   |            | (SUB AT12111)                           |
| 3   | AT12111  | HOUSING        | 1   |            | FRONT, WITH BEARING                     |
| 4   | T12956   | SEAL           | 2   |            |   |
| 5   | T12959   | GASKET         | 2   |            |   |
| 6   | T12958   | GASKET         | 2   |            |   |
| 7   | .....    | BALL CHECK     | 2   |            |   |
| 8   | H22695   | SPRING         | 2   |            |   |
| 9   | N126257  | DIAPHRAGM      | 1   |            |   |
| 10  | AH91798  | STEERING GEAR  | 1   |            |   |
| 11  | AH91799  | STEERING GEAR  | 1   |            |   |
| 12  | H65662   | DOWEL PIN      | 2   |            |   |
| 13  | H92075   | HOUSING        | 1   |            |   |
| 14  | H83241   | KEY            | 1   | -400987    | (A)                                     |
|     | N111500  | SHAFT KEY      | 1   | 400988-    |   |
| 15  | H80821   | O-RING         | 2   |            | (A)                                     |
| 16  | H80819   | PLATE          | 1   |            |   |
| 17  | N111497  | DIAPHRAGM      | 1   |            |   |
| 18  | N126258  | DIAPHRAGM      | 1   |            |   |
| 19  | H80820   | GEAR           | 2   |            |   |
| 20  | H80818   | HOUSING        | 1   |            |   |
| 21  | AH79117  | FITTING        | 1   | -450350    | (SUB AH108495)                          |
|     | AH108495 | DRAIN PLUG     | 1   |            |   |
| 22  | R375R    | O-RING         | 1   | -450350    | (A) (THIS APPLICATION ONLY)             |
|     | U40745   | O-RING         | 1   | 450351-    |   |
| 23  | H31257   | SHIM           | AR  |            |   |
| 24  | H31256   | SPRING         | 1   |            |   |
| 25  | AH18137  | POPPET         | 1   |            |   |
| 26  | .....    | PLATE          | 1   |            |   |
| 27  | AH79115  | KIT            | 1   |            | BACK PLATE REPAIR                       |
| 28  | 19H1897  | CAP SCREW      | 4   | -400784    | 5/16" X 3-3/4"                          |
|     | H63062   | CAP SCREW      | 4   | 400785-    |   |
|     | N111507  | BOLT           | 2   |            |   |
| 29  | 19H2729  | CAP SCREW      | 2   | -400784    | 5/16" X 4-1/4"                          |
|     | N111507  | BOLT           | 2   | 400785-    |   |
| 31  | R28782   | O-RING         | 1   |            | (A)                                     |
| 32  | AH63282  | FITTING PLUG   | 1   | -450350    |   |
|     | R51031   | FITTING        | 1   | 450351-    |   |
| 33  | H92074   | DOWEL PIN      | 2   |            |   |
| ..  | AH89479  | HYDRAULIC PUMP | 1   |            | (CESSNA NO. 24382-RAB) (REMANUFACTURED) |

KIT LISTED BELOW CONSISTS OF ALL PARTS IDENTIFIED BY AN (A):

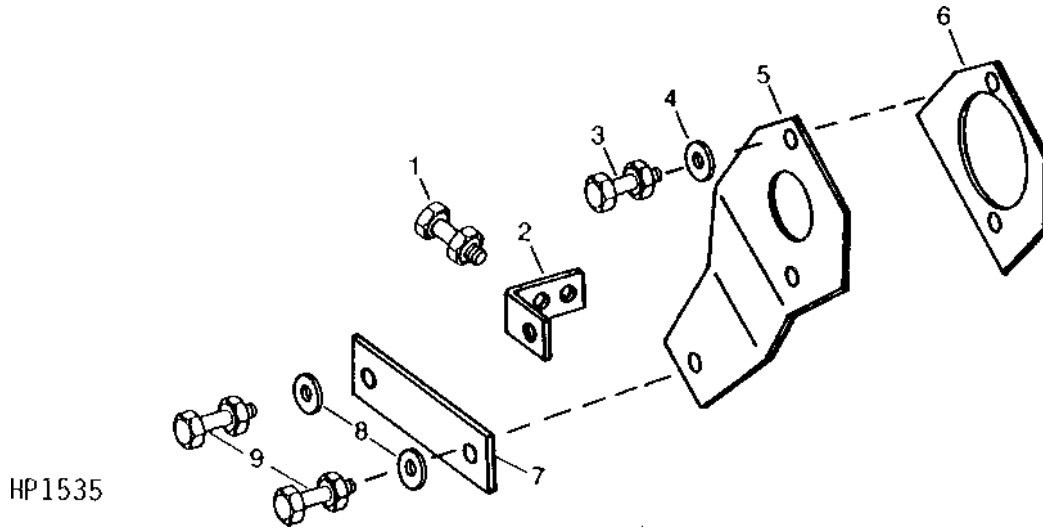
|    |          |             |   |         |                |
|----|----------|-------------|---|---------|----------------|
| .. | AH79116  | KIT         | 1 | -450350 | (SUB AH101242) |
| .. | AH101242 | TUNE-UP KIT | 1 |         |                |

# 2A22

HYDRAULICS

HP1535 -UN-01JAN94

## HYDRAULIC PUMP TORQUE ARM AND SUPPORT



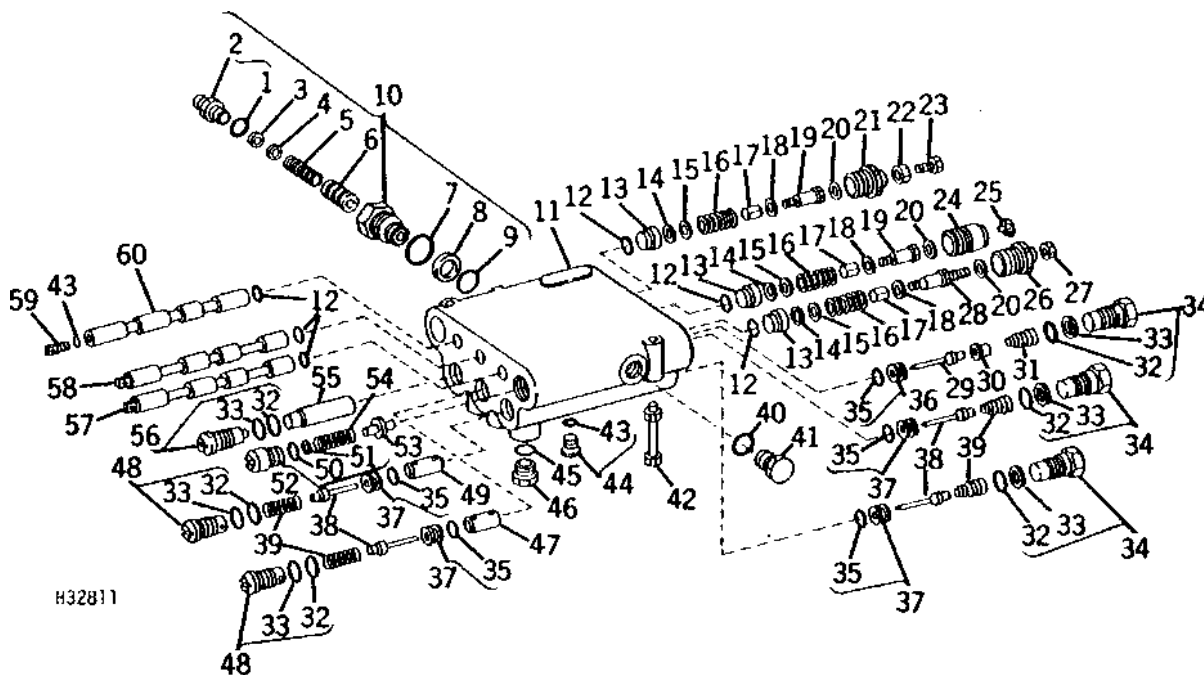
| KEY | PART NO. | PART NAME   | QTY | SERIAL NO. | REMARKS                         |
|-----|----------|-------------|-----|------------|---------------------------------|
| 1   | 19H1905  | CAP SCREW   | 2   |            | 5/16" X 1"                      |
|     | 14H785   | NUT         | 2   |            | 5/16"                           |
| 2   | H88441   | BRACKET     | 1   |            |                                 |
| 3   | 19H1800  | CAP SCREW   | 2   | -500000    | 3/8" X 1-1/2"                   |
|     | 19H1765  | CAP SCREW   | 2   | 500001-    | 3/8" X 1-3/4"                   |
|     | 12H304   | LOCK WASHER | 2   |            | 3/8"                            |
|     | 14H812   | NUT         | 2   |            | 3/8"                            |
| 4   | 24H1653  | WASHER      | 2   |            | 13/32" X 1-1/4" X 0.120"        |
| 5   | H80682   | ARM         | 1   |            |                                 |
| 6   | H80681   | PLATE       | 1   | -500000    | (SUB H113054, THIS APPLICATION) |
|     | H113054  | PLATE       | 1   |            |                                 |
| 7   | H78340   | STRAP       | 1   |            |                                 |
| 8   | 24H1294  | WASHER      | 2   |            | 11/32" X 1-1/8" X 1/16"         |
| 9   | 19H1849  | CAP SCREW   | 2   |            | 5/16" X 1-1/4"                  |
|     | 14H785   | NUT         | 2   |            | 5/16"                           |

# 2A23

HYDRAULICS

## HYDRAULIC CONTROL VALVE (SERIAL NO. -610100)

H32811 -UN-01JAN94



| KEY | PART NO. | PART NAME     | QTY | SERIAL NO.          | REMARKS   |
|-----|----------|---------------|-----|---------------------|---|
| 1   | P46051   | O-RING        | 1   | (B)                 |   |
| 2   | .....    | CONNECTOR     | 1   |                     |   |
| 3   | .....    | WASHER        | AR  |                     |   |
| 4   | H102493  | ORIFICE       | 1   |                     |   |
| 5   | .....    | SPRING        | 1   |                     |   |
| 6   | .....    | POPPET        | 1   |                     |   |
| 7   | T13119   | O-RING        | 1   | (A) (B)             |   |
| 8   | N140001  | BACK-UP RING  | 1   | (B)                 |   |
| 9   | R27166   | O-RING        | 1   | (B)                 |   |
| 10  | AH101625 | CONTROL VALVE | 1   |                     |   |
| 11  | .....    | HOUSING       | 1   | (SUB AH88807)       |   |
| 12  | M81668   | SEAL          | 6   | (A)                 |   |
| 13  | N150470  | BUSHING       | 3   |                     |   |
| 14  | M46768   | WASHER        | 3   | (USE WITH AH108709) |   |
| 15  | M46767   | WASHER        | 3   | (USE WITH AH108709) |   |
| 16  | N150471  | SPRING        | 3   |                     |   |
| 17  | N150469  | BUSHING       | 3   |                     |   |
| 18  | N153975  | WASHER        | 3   | (USE WITH AH108709) |   |
| 19  | N150468  | SCREW         | 2   | (USE WITH AH88807)  |   |
| 20  | M44169   | SNAP RING     | 3   | (USE WITH AH108709) |   |
| 21  | AH78785  | PLUG          | 1   | (PLATFORM LIFT)     |   |
| 22  | 14H882   | NUT           | 1   | 5/16"               |   |
| 23  | 19H2551  | CAP SCREW     | 1   | 5/16" X 3/4"        |   |
| 24  | AH78780  | CAP           | 1   | (USE WITH AH88807)  |   |
|     | M82702   | DRAIN PLUG    | 1   | -500000             | (USE WITH AH108709) (SUB AM38629, THIS APPLICATION) |
|     | AM38629  | DETENT        | 1   |                     | (USE WITH AH108709)                                 |
| 25  | T13911   | PLUG          | 1   |                     |   |
| 26  | H80450   | EXHAUST CAP   | 1   |                     |   |
| 27  | E19700   | LOCK NUT      | 1   |                     |   |
| 28  | H80449   | SCREW         | 1   | (USE WITH AH88807)  |   |
| 29  | AH80223  | POPPET        | 1   | (A)                 |   |
| 30  | H84537   | GUIDE         | 1   | (A)                 |   |
| 31  | H81707   | SPRING        | 1   |                     |   |
| 32  | U40745   | O-RING        | 6   | (A)                 |   |
| 33  | H63357   | BACK-UP RING  | 6   | (A)                 |   |
| 34  | AE24788  | PLUG          | 3   |                     |   |
| 35  | R28776   | O-RING        | 5   | (A)                 |   |
| 36  | AH80224  | SEAT          | 1   |                     |   |

THIS PARTS LISTING IS CONTINUED



HYDRAULIC CONTROL VALVE - CONTINUED  
(SERIAL NO. -610100)

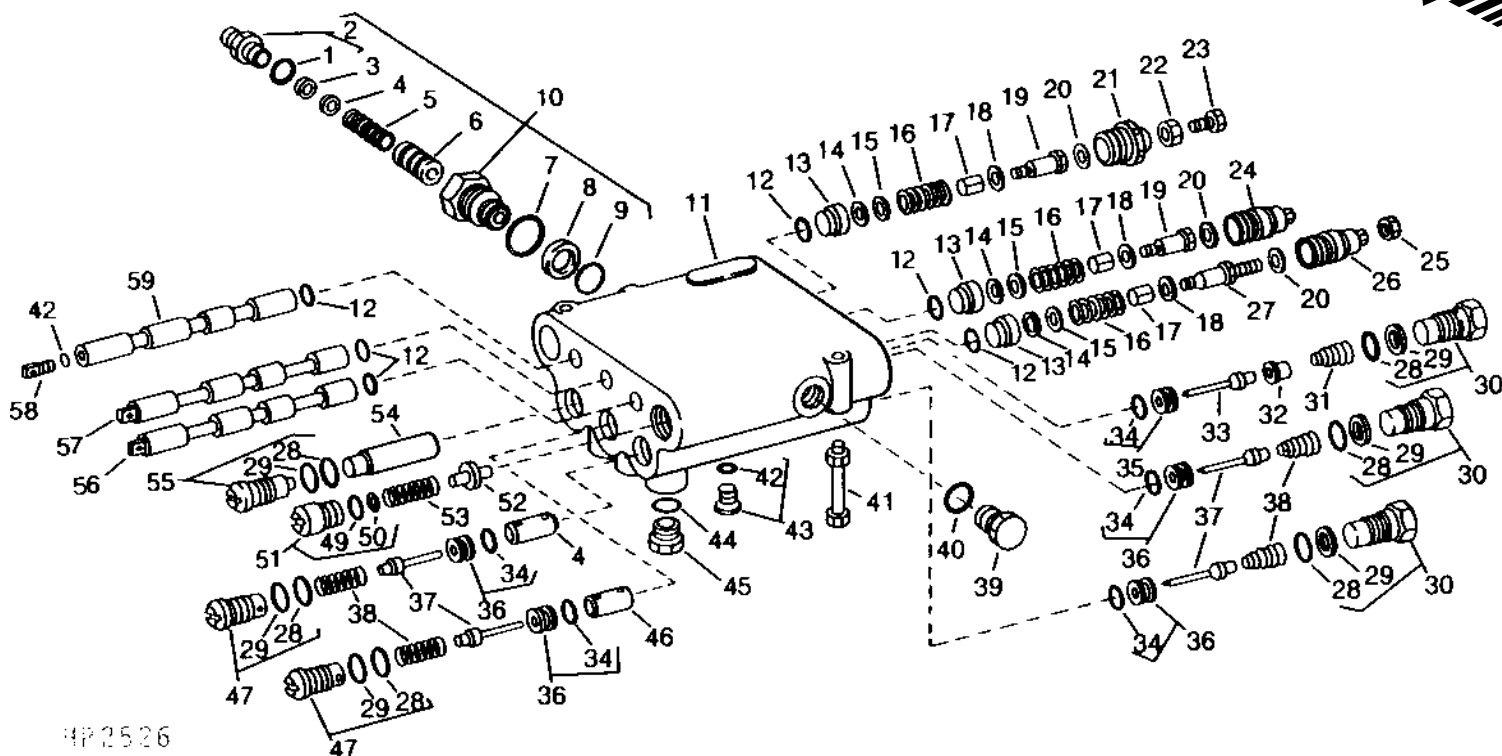
| KEY   | PART NO. | PART NAME     | QTY | SERIAL NO.                             | REMARKS                               |
|---|----------|---------------|-----|--|---------------------------------------|
| 37  | AE24787  | SEAL          | 4   |  |                                       |
| 38  | AN30940  | POPPET        | 4   | (A)                                    |                                       |
| 39  | E40772   | SPRING        | 4   |  |                                       |
| 40  | R28782   | O-RING        | 1   | (USE WITH AH108709)                    |                                       |
| 41  | R51031   | FITTING       | 1   | (USE WITH AH108709)                    |                                       |
| 42  | 19H1996  | CAP SCREW     | 2   | 1/4" X 2"                              |                                       |
|   | 14H786   | NUT           | 2   | 1/4"                                   |                                       |
| 43  | E56086   | O-RING        | 2   |  |                                       |
| 44  | AH62843  | FITTING       | 1   |  |                                       |
| 45  | R26448   | O-RING        | 1   |  |                                       |
| 46  | R27218   | FITTING PLUG  | 1   |  |                                       |
| 47  | N31766   | PLUNGER       | 1   |  |                                       |
| 48  | AH78784  | PLUG          | 2   |  |                                       |
| 49  | H80448   | PLUNGER       | 1   |  |                                       |
| 50  | 32246    | O-RING        | 1   | (A)                                    |                                       |
| 51  | H31257   | SHIM          | AR  | 0.254 MM (.010") (STEEL)               |                                       |
|   | T24871   | SHIM          | AR  | 0.381 MM (.015") (STEEL)               |                                       |
|   | N111502  | WASHER        | 1   |  |                                       |
| 52  | AE25156  | PLUG          | 1   |  |                                       |
| 53  | AE14096  | CHECK VALVE   | 1   |  |                                       |
| 54  | H60817   | SPRING        | 1   |  |                                       |
| 55  | H80452   | PLUNGER       | 1   |  |                                       |
| 56  | AE24792  | PLUG          | 1   |  |                                       |
| 57  | .....    | SPOOL         | 1   | (HYDRAULIC LIFT REEL) (SUB AH88807)    |                                       |
| 58  | .....    | SPOOL         | 1   | (SELECTIVE GROUND SPEED) (SUB AH88807) |                                       |
| 59  | H80447   | SPOOL         | 1   | (PLATFORM LIFT)                        |                                       |
| 60  | .....    | SPOOL         | 1   | (PLATFORM LIFT) (SUB AH88807)          |                                       |
| ..  | AH88807  | CONTROL VALVE | 1   | -500000                                | (CESSNA NO. 31923-AAE)                |
| ..  | AH108709 | CONTROL VALVE | 1   | 500001-                                | (CESSNA NO. 31923-CAK)                |
| PART LISTED BELOW CONSISTS OF ALL PARTS IDENTIFIED BY AN (A): |          |               |     |  |                                       |
| ..  | AH78786  | SEAL KIT      | 1   | -500000                                | (CESSNA NO. 31923-915) (SUB AH108726) |
| ..  | AH108726 | SEAL KIT      | 1   |  | (CESSNA NO. 31923-917)                |
| PART LISTED BELOW CONSISTS OF ALL PARTS IDENTIFIED BY A (B):  |          |               |     |  |                                       |
| ..  | AH78796  | SEAL KIT      | 1   |  |                                       |

# 2B1

HYDRAULICS

## HYDRAULIC CONTROL VALVE (SERIAL NO. 610101- )

HP2526 -UN-01JAN94



| KEY | PART NO. | PART NAME          | QTY | SERIAL NO.      | REMARKS |
|-----|----------|--------------------|-----|-----------------|---------|
| 1   | P46051   | O-RING             | 1   | (B)             |         |
| 2   | .....    | CONNECTOR          | 1   |                 |         |
| 3   | .....    | WASHER             | AR  |                 |         |
| 4   | H102493  | ORIFICE            | 1   |                 |         |
| 5   | .....    | SPRING             | 1   |                 |         |
| 6   | .....    | POPPET             | 1   |                 |         |
| 7   | T13119   | O-RING             | 1   | (A) (B)         |         |
| 8   | N140001  | BACK-UP RING       | 1   | (B)             |         |
| 9   | R27166   | O-RING             | 1   | (B)             |         |
| 10  | AH101625 | CONTROL VALVE      | 1   |                 |         |
| 11  | .....    | HOUSING            | 1   |                 |         |
| 12  | M81668   | SEAL               | 6   | (A)             |         |
| 13  | N150470  | BUSHING            | 3   |                 |         |
| 14  | M87511   | WASHER             | 3   |                 |         |
| 15  | M46767   | WASHER             | 3   |                 |         |
| 16  | M87401   | SPRING             | 3   |                 |         |
| 17  | AM100539 | SPACER             | 3   |                 |         |
| 18  | N153975  | WASHER             | 3   |                 |         |
| 19  | N150468  | SCREW              | 2   |                 |         |
| 20  | M87403   | SNAP RING          | 3   |                 |         |
| 21  | AH121235 | CAP SCREW, AND NUT | 1   | (PLATFORM LIFT) |         |
| 22  | 14H882   | NUT                | 1   | 5/16"           |         |
| 23  | 19H2529  | CAP SCREW          | 1   | 5/16" X 1"      |         |
| 24  | AM100541 | CAP                | 1   |                 |         |
| 25  | E19700   | LOCK NUT           | 1   |                 |         |
| 26  | H126073  | CAP                | 1   |                 |         |
| 27  | H80449   | SCREW              | 1   |                 |         |
| 28  | U40745   | O-RING             | 6   | (A)             |         |
| 29  | H63357   | BACK-UP RING       | 6   | (A)             |         |
| 30  | AE24788  | PLUG               | 3   |                 |         |
| 31  | H81707   | SPRING             | 1   |                 |         |
| 32  | H84537   | GUIDE              | 1   | (A)             |         |
| 33  | AH80223  | POPPET             | 1   | (A)             |         |
| 34  | R28776   | O-RING             | 5   | (A)             |         |
| 35  | AH80224  | SEAT               | 1   |                 |         |

# 2B2

HYDRAULICS

HYDRAULIC CONTROL VALVE - CONTINUED  
(SERIAL NO. 610101- )

| KEY | PART NO. | PART NAME     | QTY | SERIAL NO.                              | REMARKS |
|-----|----------|---------------|-----|---|---------|
| 36  | AE24787  | SEAL          | 4   |   |         |
| 37  | AN30940  | POPPET        | 4   | (A)                                     |         |
| 38  | E40772   | SPRING        | 4   |   |         |
| 39  | R51031   | FITTING       | 1   |   |         |
| 40  | R28782   | O-RING        | 1   |   |         |
| 41  | 19H1996  | CAP SCREW     | 2   | 1/4" X 2"                               |         |
|     | 14H786   | NUT           | 2   | 1/4"                                    |         |
| 42  | E56086   | O-RING        | 2   |   |         |
| 43  | AH62843  | FITTING       | 1   |   |         |
| 44  | R26448   | O-RING        | 1   |   |         |
| 45  | R27218   | FITTING PLUG  | 1   |   |         |
| 46  | N31766   | PLUNGER       | 1   |   |         |
| 47  | AH78784  | PLUG          | 2   |   |         |
| 48  | H80448   | PLUNGER       | 1   |   |         |
| 49  | 32246    | O-RING        | 1   | (A)                                     |         |
| 50  | H31257   | SHIM          | AR  | 0.254 MM (.010") (STEEL)                |         |
|     | T24871   | SHIM          | AR  | 0.381 MM (.015") (STEEL)                |         |
|     | N111502  | WASHER        | AR  |   |         |
| 51  | AE25156  | PLUG          | 1   |   |         |
| 52  | E40775   | POPPET        | 1   |   |         |
| 53  | H60817   | SPRING        | 1   |   |         |
| 54  | H80452   | PLUNGER       | 1   |   |         |
| 55  | AE24792  | PLUG          | 1   |   |         |
| 56  | .....    | SPOOL         | 1   | (HYDRAULIC LIFT REEL)                   |         |
| 57  | .....    | SPOOL         | 1   | (SELECTIVE GROUND SPEED)                |         |
| 58  | H80447   | SPOOL         | 1   | (PLATFORM LIFT)                         |         |
| 59  | .....    | SPOOL         | 1   | (PLATFORM LIFT)                         |         |
| ..  | AH120374 | CONTROL VALVE | 1   | (CESSNA NO. 31923-CAZ) (REMANUFACTURED) |         |

PARTS LISTED BELOW CONSISTS OF ALL PARTS IDENTIFIED BY AN (A):

|    |          |          |   |                        |
|----|----------|----------|---|------------------------|
| .. | AH108726 | SEAL KIT | 1 | (CESSNA NO. 31923-917) |
|----|----------|----------|---|------------------------|

PART LISTED BELOW CONSISTS OF ALL PARTS IDENTIFIED BY A (B):

|    |         |          |   |  |
|----|---------|----------|---|--|
| .. | AH78796 | SEAL KIT | 1 |  |
|----|---------|----------|---|--|

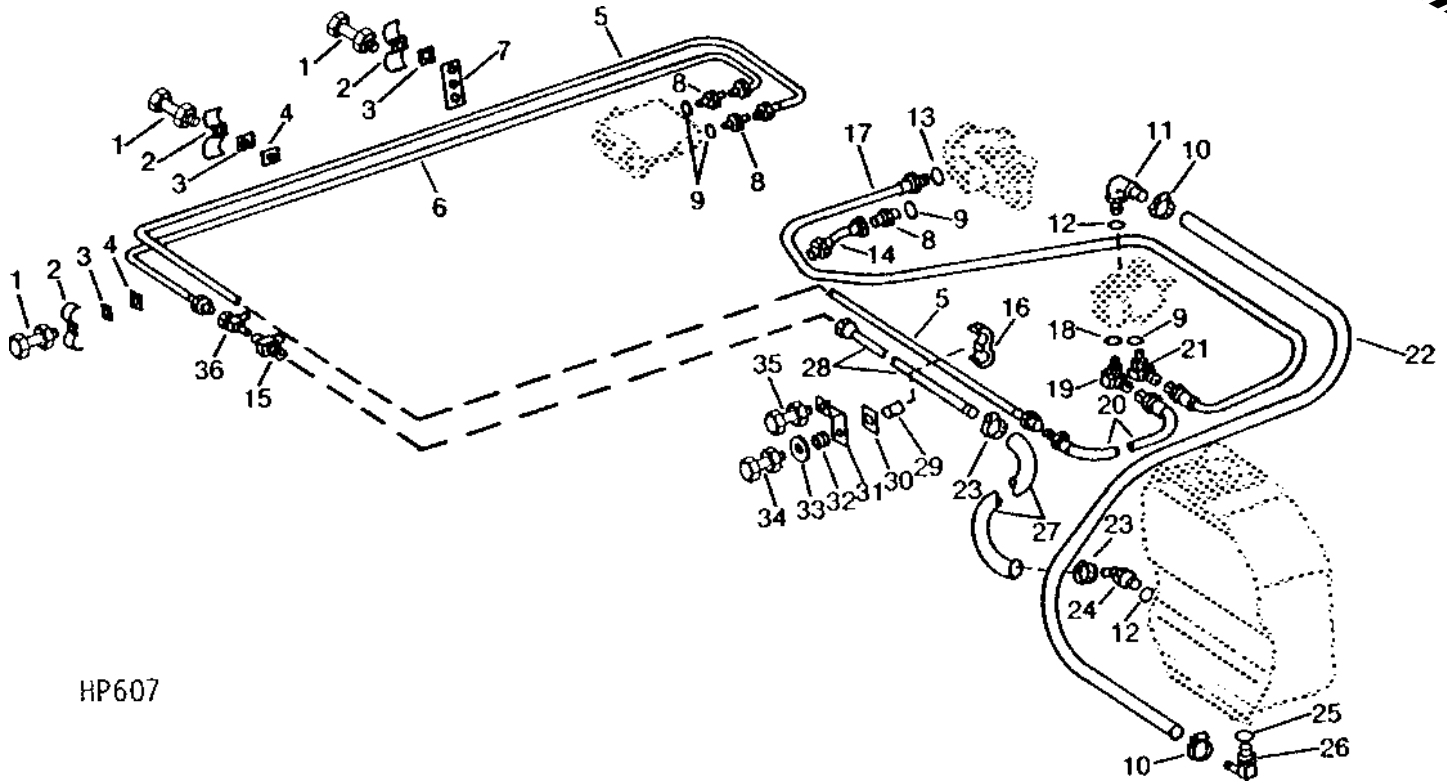
# 2B3

HYDRAULICS

HP607

-UN-01JAN94

## MAIN HYDRAULIC PUMP LINES



HP607

| KEY | PART NO. | PART NAME      | QTY | SERIAL NO. | REMARKS  |
|-----|----------|----------------|-----|------------|--|
| 1   | 08H4416  | BOLT           | 3   | 5/16" X 1" |  |
|     | 12H303   | LOCK WASHER    | 3   | 5/16"      |  |
|     | 14H785   | NUT            | 3   | 5/16"      |  |
| 2   | AH83847  | CLAMP          | 3   |            |  |
| 3   | H83769   | FOAM PAD       | 3   |            |  |
| 4   | H83371   | STRAP          | 2   |            |  |
| 5   | AH75450  | LINE           | 1   |            |  |
| 6   | AH75454  | OIL TUBE       | 1   |            | (USED WITHOUT AUTOMATIC HEADER HEIGHT CONTROL) |
| 7   | H87781   | STRAP          | 1   |            |  |
| 8   | R27237   | FITTING        | 3   |            |  |
| 9   | R26375   | O-RING         | 4   |            |  |
| 10  | AR21839  | CLAMP          | 1   |            |  |
| 11  | AH75157  | FITTING        | 1   |            |  |
| 12  | U12547   | O-RING         | 2   |            |  |
| 13  | R26448   | O-RING         | 1   |            |  |
| 14  | AH75452  | LINE           | 1   |            |  |
| 15  | H75415   | TEE FITTING    | 1   |            |  |
| 16  | AH83843  | CLAMP          | 1   |            |  |
| 17  | AH78292  | HYDRAULIC HOSE | 1   |            | 10MM X 1524MM (3/8" I.D. X 60") LONG           |
| 18  | R26906   | O-RING         | 1   |            |  |
| 19  | AR26724  | ELBOW FITTING  | 1   |            | 90°  |
| 20  | AH89615  | HYDRAULIC HOSE | 1   |            | 10MM X 610 MM (3/8" I.D. X 24") LONG           |
| 21  | AR26763  | ELBOW FITTING  | 1   |            | 90°  |
| 22  | H88374   | HYDRAULIC HOSE | 1   |            | 19MM X 927MM (3/4" I.D. X 36-1/2") LONG        |
| 23  | AR21837  | CLAMP          | 2   |            |  |
| 24  | AH103078 | ELBOW FITTING  | 1   |            | 45°  |
| 25  | R29936   | O-RING         | 1   |            |  |
| 26  | AH75156  | FITTING        | 1   |            | 90°  |
| 27  | H78685   | HOSE           | 1   |            | RETURN, 16 MM X 584 MM (5/8" I.D. X 23") LONG  |
| 28  | AH75462  | LINE           | 1   |            | RETURN, REAR                                   |
| 29  | 28H1903  | BUSHING        | 1   |            | 1/4" X 3/4"                                    |
| 30  | H87783   | STRAP          | 1   |            |  |
| 31  | H87782   | BRACKET        | 1   |            |  |
| 32  | H91811   | GROMMET        | 1   |            |  |
| 33  | 24H1822  | WASHER         | 1   |            | 11/32" X 7/8" X 1/16"                          |
| 34  | 19H1906  | CAP SCREW      | 1   |            | 5/16" X 1-1/2"                                 |
|     | 12H303   | LOCK WASHER    | 1   |            | 5/16"  |
|     | 14H785   | NUT            | 1   |            | 5/16"  |

THIS PARTS LISTING IS CONTINUED

# 2B4

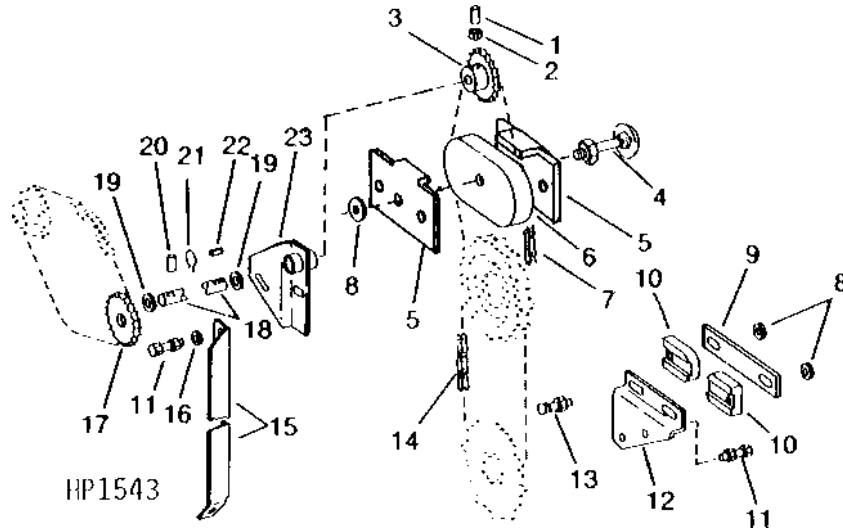
HYDRAULICS

## MAIN HYDRAULIC PUMP LINES - CONTINUED

| KEY | PART NO. | PART NAME   | QTY | SERIAL NO.    | REMARKS |
|-----|----------|-------------|-----|---------------|---------|
| 35  | 19H2552  | CAP SCREW   | 1   | 3/8" X 1-1/8" |         |
|     | 12H304   | LOCK WASHER | 1   | 3/8"          |         |
|     | 14H812   | NUT         | 1   | 3/8"          |         |
| 36  | AN33434  | TEE FITTING | 1   |               |         |

## VARIABLE SPEED CYLINDER CONTROL ON SEPARATOR SIDE

HP1543 -UN-01JAN94

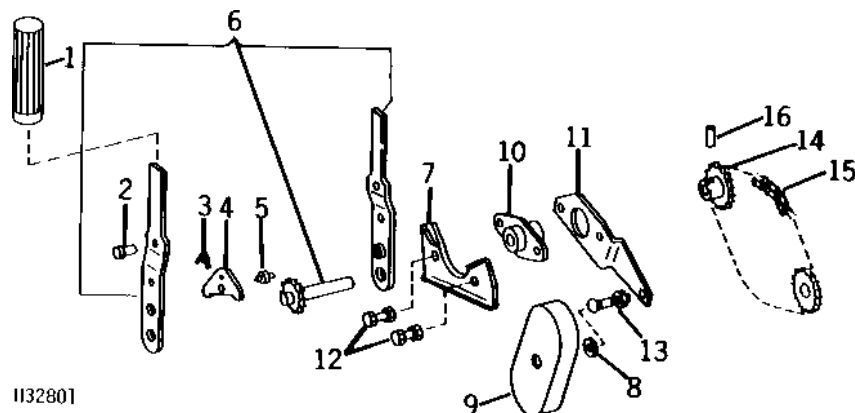


| KEY | PART NO. | PART NAME             | QTY | SERIAL NO.                | REMARKS  |
|-----|----------|-----------------------|-----|---------------------------|--|
| 1   | 22H892   | SET SCREW             | 1   | 1/4" X 5/8"               |  |
| 2   | 14H850   | NUT                   | 1   | 1/4"                      |  |
| 3   | AH101521 | CHAIN SPROCKET        | 1   |                           |  |
| 4   | 03H1505  | BOLT                  | 1   | 5/16" X 1-3/4"            |  |
|     | 12H303   | LOCK WASHER           | 1   | 5/16"                     |  |
|     | 14H785   | NUT                   | 1   | 5/16"                     |  |
| 5   | H113727  | RETAINER              | 2   |                           |  |
| 6   | H76518   | TIGHTENER             | 1   |                           |  |
| 7   | .....    | LINK CHAIN            | 1   |                           | CONTROL, ROLLER, TYPE 65, 13 MM (1/2") PITCH,<br>58 LINKS (ASSEMBLE FROM 55 LINKS OF<br>AB18594, AB14025, AND (2) AB17232)             |
| 8   | 24H1294  | WASHER                | 3   |                           | 11/32" X 1-1/8" X 1/16"  |
| 9   | H96911   | STRAP                 | 1   |                           |  |
| 10  | P47883   | TIGHTENER             | 2   |                           |  |
| 11  | 19H1731  | CAP SCREW             | 2   | 3/8" X 1"                 |  |
|     | 12H304   | LOCK WASHER           | 2   | 3/8"                      |  |
|     | 14H812   | NUT                   | 2   | 3/8"                      |  |
| 12  | H82542   | BRACKET               | 1   |                           |  |
| 13  | 03H2020  | BOLT                  | 2   | 3/8" X 2"                 |  |
|     | 14H812   | NUT                   | 2   | 3/8"                      |  |
| 14  | .....    | LINK CHAIN            | 1   |                           | CONTROL, ROLLER, TYPE 65, 13 MM (1/2") PITCH,<br>116 LINKS (ASSEMBLE FROM 115 LINKS OF<br>AB18594 AND AB14025)<br>(COUPLER, WITH CLIP) |
|     | AH77091  | ROLLER CHAIN          | 1   |                           | (OFFSET)   |
|     | AH77090  | TRACK CHAIN W/O SHOES | 1   |                           | (OFFSET)   |
|     | H78972   | CLIP                  | 1   |                           |  |
|     | H78973   | PIN                   | 1   |                           | (OFFSET LINK)  |
| 15  | H86170   | SUPPORT               | 1   |                           |  |
| 16  | 24H1305  | WASHER                | 2   | 13/32" X 13/16" X 0.065"  |  |
| 17  | H89035   | CHAIN SPROCKET        | 1   |                           |  |
| 18  | H101822  | SHAFT                 | 1   |                           |  |
| 19  | 24H1368  | WASHER                | 2   | 21/32" X 1-5/16" X 0.090" |  |
| 20  | 34H283   | SPRING PIN            | 2   | 3/16" X 1-1/8"            |  |
| 21  | 11H224   | COTTER PIN            | 1   | 1/8" X 1-1/4"             |  |
| 22  | U46425   | SHAFT KEY             | 1   |                           |  |
| 23  | AH80954  | BRACKET               | 1   |                           |  |

# 2B5

H32801 -UN-01JAN94

## VARIABLE SPEED CYLINDER CONTROL ON OPERATOR'S PLATFORM

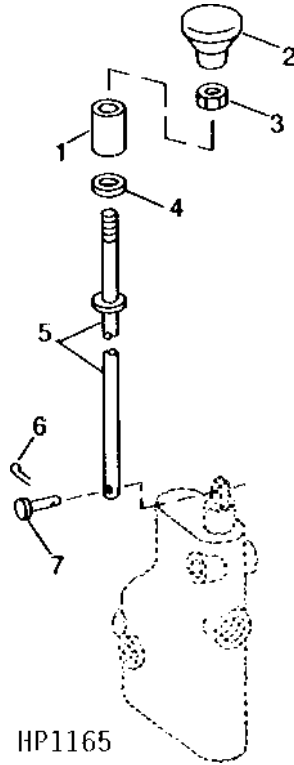


| KEY | PART NO. | PART NAME      | QTY | SERIAL NO. | REMARKS  |
|-----|----------|----------------|-----|------------|--|
| 1   | H83058   | GRIP           | 1   |            |  |
| 2   | 16H658   | RIVET          | 1   |            | 1/4" X 5/8"  |
| 3   | H76523   | SPRING         | 1   |            |  |
| 4   | H76522   | PAWL           | 1   |            |  |
| 5   | P46115   | RIVET          | 1   |            |  |
| 6   | AH97871  | RATCHET        | 1   |            |  |
| 7   | H99238   | STOP           | 1   |            |  |
| 8   | 24H1294  | WASHER         | 2   |            | 11/32" X 1-1/8" X 1/16"  |
| 9   | H76518   | TIGHTENER      | 1   |            |  |
| 10  | H76502   | BEARING        | 1   |            |  |
| 11  | H76526   | BRACKET        | 1   |            |  |
| 12  | H99281   | CAP SCREW      | 2   |            |  |
|     | 14H785   | NUT            | 2   |            | 5/16"  |
| 13  | 03H1505  | BOLT           | 1   |            | 5/16" X 1-3/4"   |
|     | 14H785   | NUT            | 1   |            | 5/16"  |
| 14  | H89035   | CHAIN SPROCKET | 1   |            | 14 TEETH   |
| 15  | .....    | LINK CHAIN     | 1   |            | CONTROL, ROLLER, TYPE 65, 13 MM (1/2") PITCH,<br>79 LINKS (ASSEMBLE FROM 77 LINKS OF<br>AB18594, AB14025, AND AB17232) |
| 16  | 34H283   | SPRING PIN     | 1   |            | 3/16" X 1-1/8"   |

# 2B6

HP1165 -UN-01JAN94

## HYDRAULIC AUGER SWING CONTROL



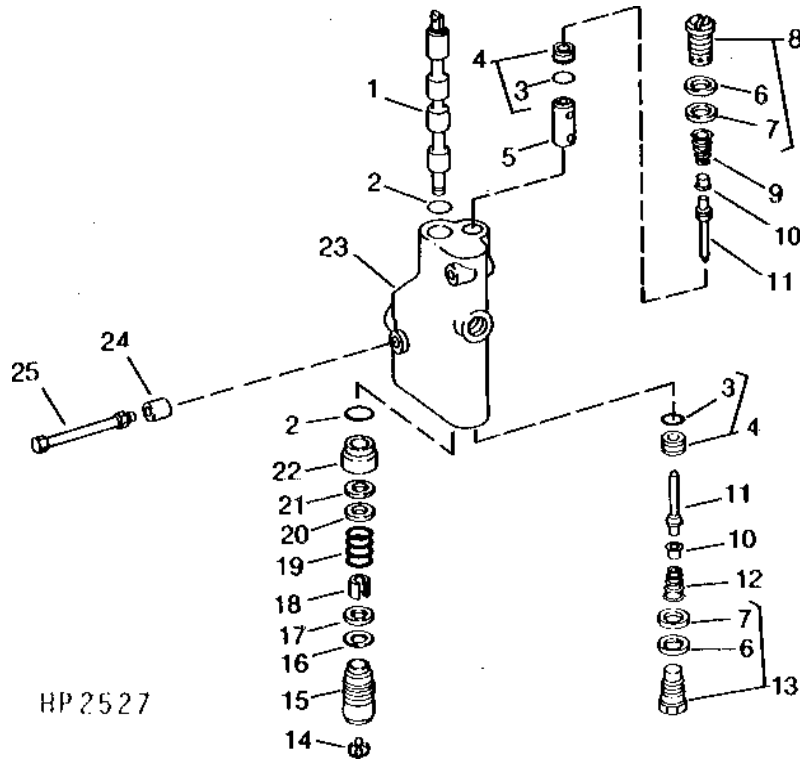
| KEY | PART NO. | PART NAME  | QTY | SERIAL NO. | REMARKS              |
|-----|----------|------------|-----|------------|----------------------|
| 1   | H83944   | ISOLATOR   | 1   |            |                      |
| 2   | H80205   | KNOB       | 1   |            |                      |
| 3   | 14H732   | NUT        | 1   |            | 3/8"                 |
| 4   | 24H1306  | WASHER     | 1   |            | 13/32" X 1" X 0.035" |
| 5   | AH97975  | ROD        | 1   |            |                      |
| 6   | 11H266   | COTTER PIN | 1   |            | 1/16" X 1/2"         |
| 7   | U42845   | PIN        | 1   |            |                      |

# 2B7

HYDRAULICS

## UNLOADING AUGER SWING CONTROL VALVE (SERIAL NO. -610149)

HP2527 -UN-01JAN94



| KEY | PART NO. | PART NAME     | QTY | SERIAL NO.             | REMARKS |
|-----|----------|---------------|-----|------------------------|---------|
| 1   | .....    | SPOOL         | 1   | (SUB AH101631)         |         |
| 2   | M81668   | SEAL          | 2   | (A)                    |         |
| 3   | R28776   | O-RING        | 2   | (A)                    |         |
| 4   | AH80224  | SEAT          | 2   |                        |         |
| 5   | N31766   | PLUNGER       | 1   |                        |         |
| 6   | H63357   | BACK-UP RING  | 2   | (A)                    |         |
| 7   | U40745   | O-RING        | 2   | (A)                    |         |
| 8   | AH78784  | PLUG          | 1   |                        |         |
| 9   | H103201  | SPRING        | 1   |                        |         |
| 10  | H84537   | GUIDE         | 2   |                        |         |
| 11  | AH80223  | POPPET        | 2   | (A)                    |         |
| 12  | H81707   | SPRING        | 1   |                        |         |
| 13  | AE24788  | PLUG          | 1   |                        |         |
| 14  | T13911   | PLUG          | 1   |                        |         |
| 15  | M82702   | DRAIN PLUG    | 1   |                        |         |
| 16  | M44169   | SNAP RING     | 1   |                        |         |
| 17  | N153975  | WASHER        | 1   |                        |         |
| 18  | N150469  | BUSHING       | 1   |                        |         |
| 19  | H101998  | SPRING        | 1   |                        |         |
| 20  | M46767   | WASHER        | 1   |                        |         |
| 21  | M46768   | WASHER        | 1   |                        |         |
| 22  | N150470  | BUSHING       | 1   |                        |         |
| 23  | .....    | HOUSING       | 1   | (SUB AH101631)         |         |
| 24  | 28H1688  | BUSHING       | 2   | 1/4" X 11/16"          |         |
| 25  | H99283   | CAP SCREW     | 2   |                        |         |
|     | 12H302   | LOCK WASHER   | 2   | 1/4"                   |         |
|     | 14H786   | NUT           | 2   | 1/4"                   |         |
| ..  | AH101631 | CONTROL VALVE | 1   | -610149 (SUB AH120377) |         |

KIT LISTED BELOW CONSISTS OF ALL PARTS IDENTIFIED BY AN (A):

|    |          |          |   |  |  |
|----|----------|----------|---|--|--|
| .. | AH103895 | SEAL KIT | 1 |  |  |
|----|----------|----------|---|--|--|

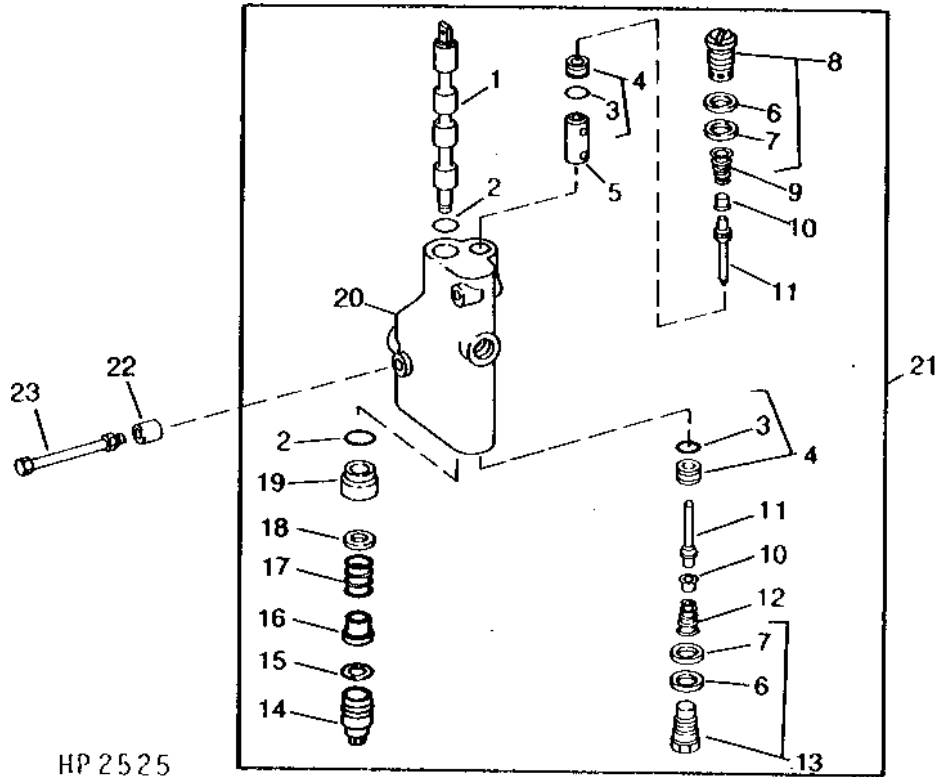


# 2B8

HYDRAULICS

## UNLOADING AUGER SWING CONTROL VALVE (SERIAL NO. 610150- )

HP2525 -UN-01JAN94



HP 2525

| KEY | PART NO. | PART NAME     | QTY | SERIAL NO. | REMARKS                  |
|-----|----------|---------------|-----|------------|--------------------------|
| 1   | .....    | SPOOL         | 1   |            |                          |
| 2   | M81668   | SEAL          | 2   | (A)        |                          |
| 3   | R28776   | O-RING        | 2   | (A)        |                          |
| 4   | AH80224  | SEAT          | 2   |            |                          |
| 5   | N31766   | PLUNGER       | 1   |            |                          |
| 6   | H63357   | BACK-UP RING  | 2   | (A)        |                          |
| 7   | U40745   | O-RING        | 2   | (A)        |                          |
| 8   | AH78784  | PLUG          | 1   |            |                          |
| 9   | H103201  | SPRING        | 1   |            |                          |
| 10  | H84537   | GUIDE         | 2   |            |                          |
| 11  | AH80223  | POPPET        | 2   | (A)        |                          |
| 12  | H81707   | SPRING        | 1   |            |                          |
| 13  | AE24788  | PLUG          | 1   |            |                          |
| 14  | AM100541 | CAP           | 1   |            |                          |
| 15  | M87403   | SNAP RING     | 1   |            |                          |
| 16  | AM100539 | SPACER        | 1   |            |                          |
| 17  | M87401   | SPRING        | 1   |            |                          |
| 18  | M87511   | WASHER        | 1   |            |                          |
| 19  | N150470  | BUSHING       | 1   |            |                          |
| 20  | .....    | HOUSING       | 1   |            |                          |
| 21  | AH120377 | CONTROL VALVE | 1   |            |                          |
| 22  | 28H1688  | BUSHING       | 2   |            | 0.364" X 0.540" X 11/16" |
| 23  | H99283   | CAP SCREW     | 2   |            |                          |
|     | 12H302   | LOCK WASHER   | 2   |            | 1/4"                     |
|     | 14H786   | NUT           | 2   |            | 1/4"                     |

KIT LISTED BELOW CONSISTS OF ALL PARTS IDENTIFIED BY AN (A):

.. AH103895 SEAL KIT 1

---

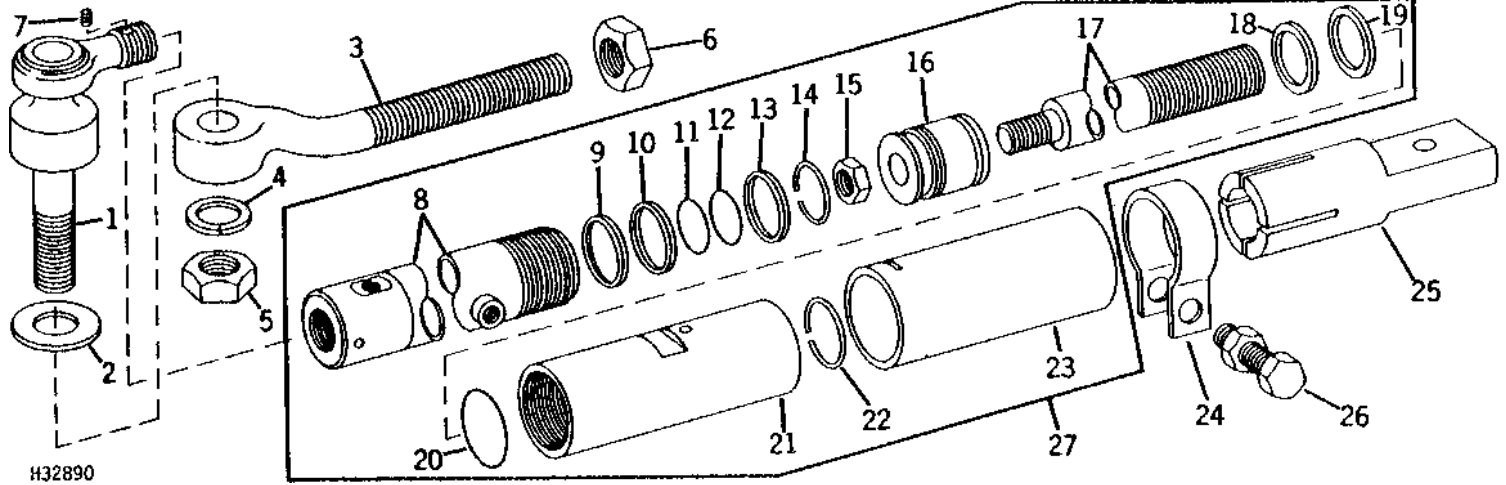
MEMORANDA

# 2B9

HYDRAULICS

## UNLOADING AUGER SWING HYDRAULIC CYLINDER AND MOUNTING

H32890 -UN-01JAN94



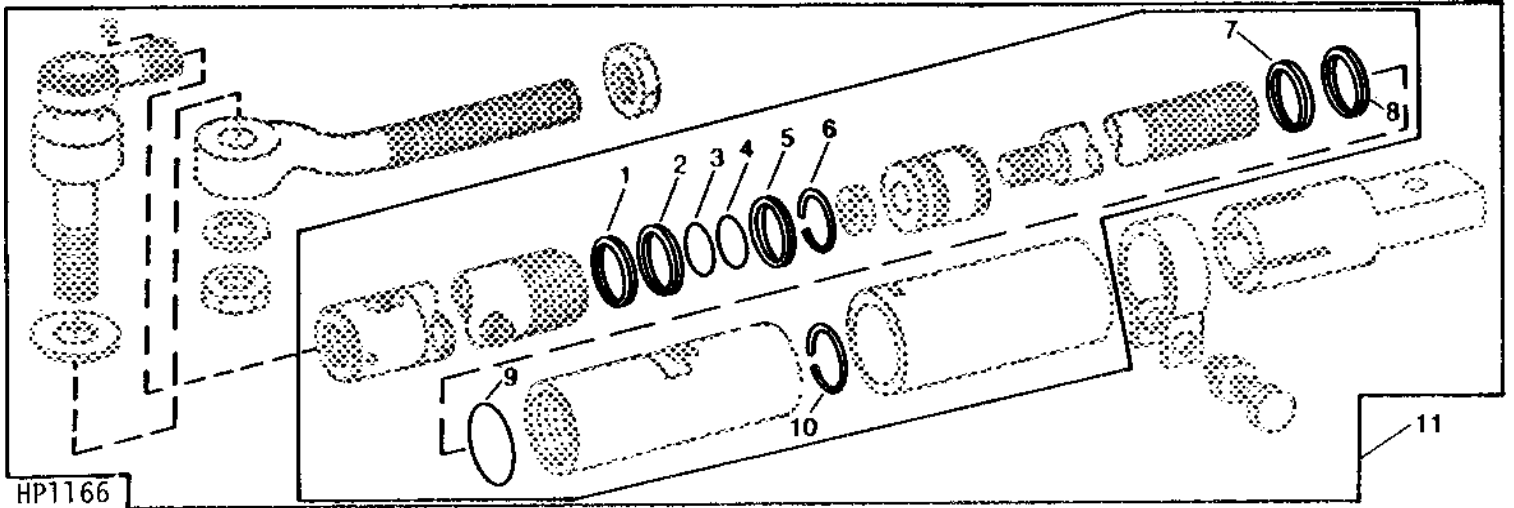
| KEY | PART NO. | PART NAME                 | QTY | SERIAL NO. | REMARKS                    |
|-----|----------|---------------------------|-----|------------|----------------------------|
| 1   | AH104294 | BALL JOINT                | 1   |            |                            |
| 2   | 24H1217  | WASHER                    | 1   |            | 1-9/32" X 2-7/32" X 0.060" |
| 3   | H102281  | EYEBOLT                   | 1   |            |                            |
| 4   | 12H236   | LOCK WASHER               | 1   |            | 3/4"                       |
| 5   | 14H794   | NUT                       | 1   |            | 3/4"                       |
| 6   | 14H793   | NUT                       | 2   |            | 3/4"                       |
| 7   | 22H898   | SET SCREW                 | 1   |            | 1/4" X 3/8"                |
| 8   | AH104674 | HYDRAULIC CYLINDER BARREL | 1   |            |                            |
| 9   | .....    | WEAR RING                 | 1   |            | (KIT AH103335)             |
| 10  | E42435   | RING                      | 1   |            | (KIT AH103335)             |
| 11  | .....    | O-RING                    | 1   |            | (KIT AH103335)             |
| 12  | 32238    | PACKING                   | 1   |            | (KIT AH103335)             |
| 13  | .....    | PISTON RING               | 1   |            | (KIT AH103335)             |
| 14  | H35246   | SNAP RING                 | 1   |            | (KIT AH103335)             |
| 15  | P42337   | LOCK NUT                  | 1   |            |                            |
| 16  | H105716  | PISTON                    | 1   |            |                            |
| 17  | H105718  | ROD                       | 1   |            |                            |
| 18  | AH87264  | SEAL                      | 1   |            | (KIT AH103335)             |
| 19  | AH20841  | SEAL                      | 1   |            | (KIT AH103335)             |
| 20  | .....    | O-RING                    | 1   |            | (KIT AH103335)             |
| 21  | H105717  | BEARING                   | 1   | -450000    | (SUB H112108)              |
|     | H112108  | BEARING                   | 1   |            |                            |
| 22  | .....    | RING                      | 1   |            | (KIT AH103335)             |
| 23  | H105719  | BUSHING                   | 1   | -450350    | (SUB H109998)              |
|     | H109998  | HUB                       | 1   |            |                            |
| 24  | H102284  | CLAMP                     | 1   |            |                            |
| 25  | H101620  | CLAMP                     | 1   |            |                            |
| 26  | 19H1765  | CAP SCREW                 | 1   |            | 3/8" X 1-3/4"              |
|     | H99923   | LOCK NUT                  | 1   |            |                            |
| 27  | AH101316 | CYLINDER                  | 1   |            |                            |

# 2B10

HYDRAULICS

HP1166 -UN-01JAN94

## KIT, UNLOADING AUGER SWING HYDRAULIC CYLINDER



| KEY | PART NO. | PART NAME   | QTY | SERIAL NO. | REMARKS |
|-----|----------|-------------|-----|------------|---------|
| 1   | .....    | WEAR RING   | 1   |            |         |
| 2   | E42435   | RING        | 1   |            |         |
| 3   | .....    | O-RING      | 1   |            |         |
| 4   | 32238    | PACKING     | 1   |            |         |
| 5   | .....    | PISTON RING | 1   |            |         |
| 6   | H35246   | SNAP RING   | 1   |            |         |
| 7   | AH87264  | SEAL        | 1   |            |         |
| 8   | AH20841  | SEAL        | 1   |            |         |
| 9   | .....    | O-RING      | 1   |            |         |
| 10  | .....    | RING        | 1   |            |         |
| 11  | AH103335 | SEAL KIT    | 1   |            |         |

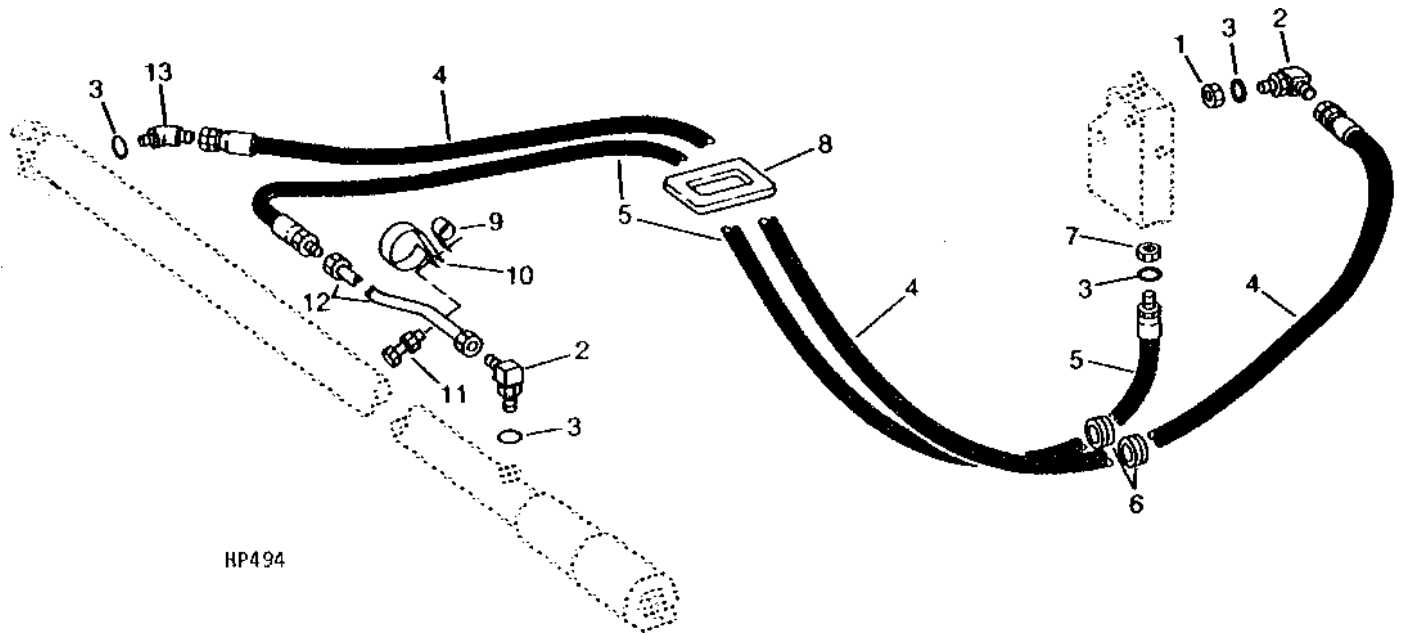
# 2B11

HYDRAULICS

## UNLOADING AUGER SWING HOSES AND LINE

HP494

-UN-01JAN94

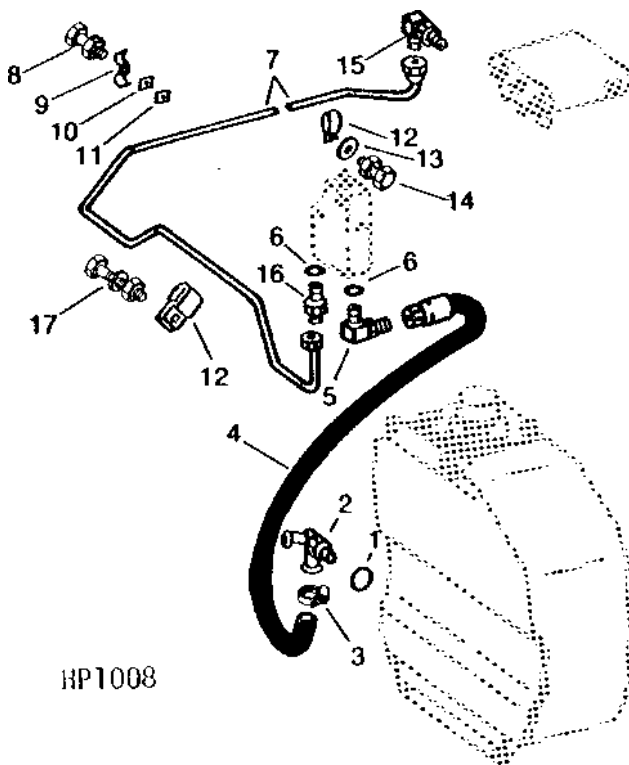


| KEY | PART NO. | PART NAME     | QTY | SERIAL NO.                               | REMARKS |
|-----|----------|---------------|-----|--|---------|
| 1   | H94190   | ORIFICE       | 1   |  |         |
| 2   | AR26725  | ELBOW FITTING | 2   | 90°                                      |         |
| 3   | R26448   | O-RING        | 4   |  |         |
| 4   | AH94858  | HOSE          | 1   | 6 MM X 978 MM (1/4" I.D. X 38-1/2") LONG |         |
| 5   | AH107013 | HOSE          | 1   | 6 MM X 1092 MM (1/4" I.D. X 43") LONG    |         |
| 6   | H80627   | GROMMET       | 2   |  |         |
| 7   | N155290  | ORIFICE       | 1   |  |         |
| 8   | R20759   | GROMMET       | 1   |  |         |
| 9   | AH76882  | CLIP          | 2   |  |         |
| 10  | AH77714  | CLIP          | 2   |  |         |
| 11  | 19H1936  | CAP SCREW     | 2   | 3/8" X 3/4"                              |         |
|     | 14H812   | NUT           | 2   | 3/8"                                     |         |
| 12  | AH103143 | LINE          | 1   |  |         |
| 13  | AT38033  | ELBOW FITTING | 1   | 45°                                      |         |

# 2B12

HP1008 -UN-01JAN94

## UNLOADING AUGER SWING LINE



HP1008

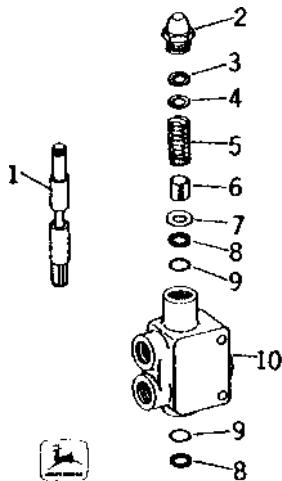
| KEY | PART NO. | PART NAME     | QTY | SERIAL NO.  | REMARKS               |
|-----|----------|---------------|-----|-------------|-----------------------|
| 1   | U12547   | O-RING        | 1   |             |                       |
| 2   | AH103078 | ELBOW FITTING | 1   | 45°         |                       |
| 3   | AR21836  | CLAMP         | 1   |             |                       |
| 4   | AH89603  | HOSE          | 1   |             |                       |
| 5   | AR27699  | ELBOW FITTING | 1   |             |                       |
| 6   | R26375   | O-RING        | 2   |             |                       |
| 7   | AH103077 | LINE          | 1   | -450000     |                       |
|     | AH108749 | LINE          | 1   | 450001-     |                       |
| 8   | 08H4416  | BOLT          | 1   |             | 5/16" X 1"            |
|     | 12H303   | LOCK WASHER   | 1   |             | 5/16"                 |
|     | 14H785   | NUT           | 1   |             | 5/16"                 |
| 9   | AH83847  | CLAMP         | 1   |             |                       |
| 10  | H83769   | FOAM PAD      | 1   |             |                       |
| 11  | H83371   | STRAP         | 1   |             |                       |
| 12  | H75541   | CLAMP         | 2   |             |                       |
| 13  | 24H1243  | WASHER        | 1   |             | 11/32" X 5/8" X 1/16" |
| 14  | 19H1900  | CAP SCREW     | 1   |             | 5/16" X 3/4"          |
|     | 12H303   | LOCK WASHER   | 1   |             | 5/16"                 |
|     | 14H785   | NUT           | 1   |             | 5/16"                 |
| 15  | AH75164  | ELBOW FITTING | 1   | 90°         |                       |
| 16  | R27237   | FITTING       | 1   |             |                       |
| 17  | 19H1919  | CAP SCREW     | 1   | 1/4" X 5/8" |                       |
|     | 12H302   | LOCK WASHER   | 1   | 1/4"        |                       |
|     | 14H786   | NUT           | 1   | 1/4"        |                       |

# 2B13

HYDRAULICS

H23280 -UN-01JAN94

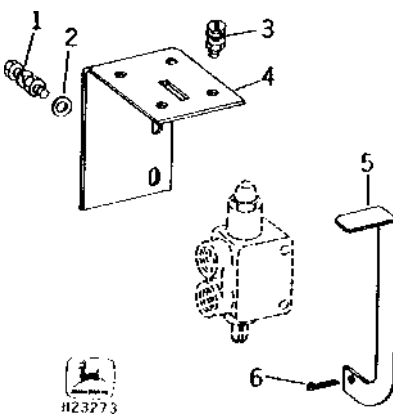
## AUXILIARY UNLOADING AUGER HYDRAULIC DRIVE SELECTOR VALVE



| KEY | PART NO. | PART NAME   | QTY | SERIAL NO. | REMARKS     |
|-----|----------|-------------|-----|------------|-------------|
| 1   | .....    | SPOOL       | 1   |            |             |
| 2   | H25638   | EXHAUST CAP | 1   |            |             |
| 3   | 32244    | SNAP RING   | 1   |            |             |
| 4   | N31768   | WASHER      | 1   |            |             |
| 5   | N31762   | SPRING      | 1   |            |             |
| 6   | N31761   | SLEEVE      | 1   |            |             |
| 7   | N31767   | WASHER      | 1   |            |             |
| 8   | H28931   | WASHER      | 2   |            |             |
| 9   | H28930   | O-RING      | 2   | -400000    | (SUB R375R) |
|     | R375R    | O-RING      | 2   |            |             |
| 10  | .....    | HOUSING     | 1   |            |             |
| ..  | AH86630  | VALVE       | 1   |            |             |

H23273 -UN-01JAN94

## AUXILIARY UNLOADING AUGER HYDRAULIC DRIVE SELECTOR VALVE SUPPORT



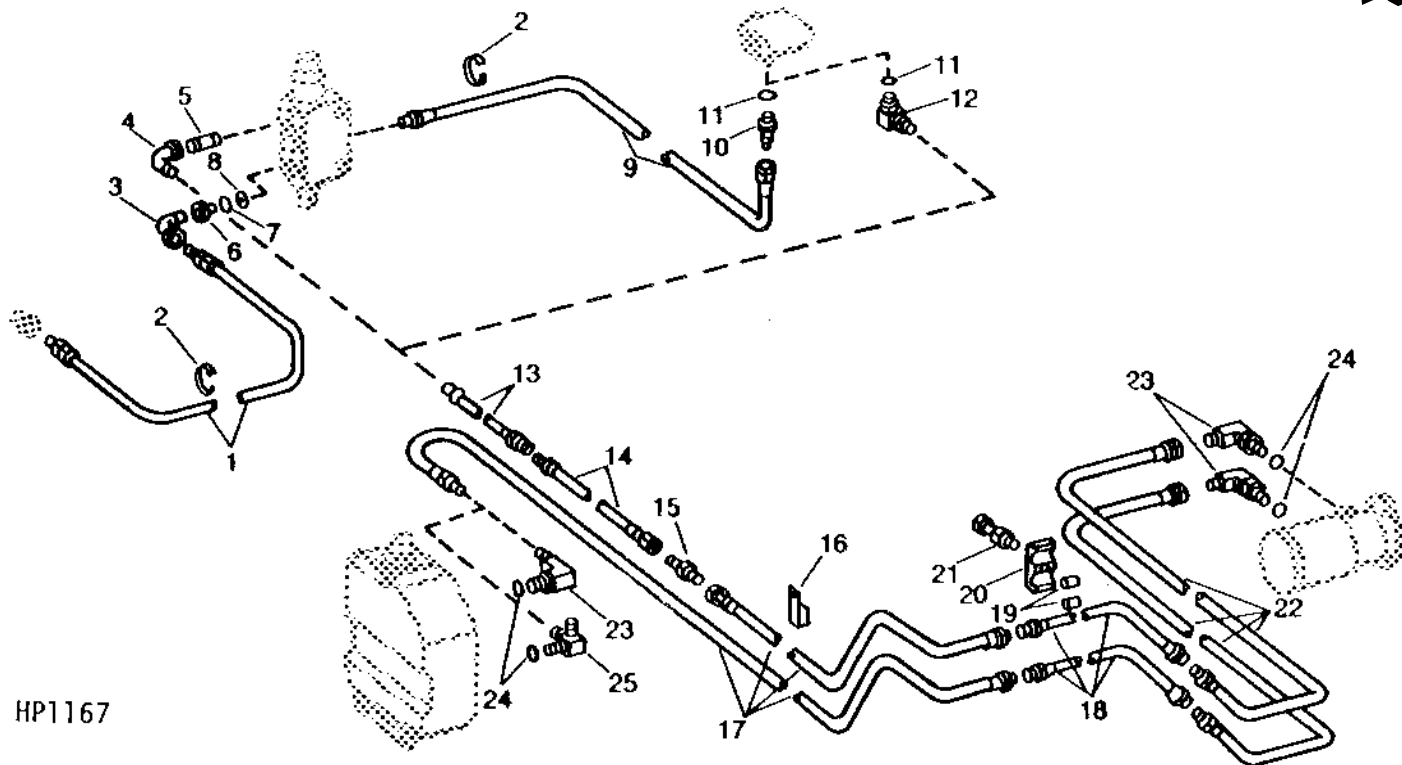
| KEY | PART NO. | PART NAME   | QTY | SERIAL NO.               | REMARKS |
|-----|----------|-------------|-----|--------------------------|---------|
| 1   | 19H1949  | CAP SCREW   | 2   | 5/16" X 2-1/2"           |         |
|     | 12H303   | LOCK WASHER | 2   | 5/16"                    |         |
|     | 14H785   | NUT         | 2   | 5/16"                    |         |
| 2   | 24H1136  | WASHER      | 2   | 11/32" X 11/16" X 0.065" |         |
| 3   | 21H1070  | SCREW       | 4   | 5/16" X 7/8"             |         |
|     | 12H303   | LOCK WASHER | 4   | 5/16"                    |         |
|     | 14H785   | NUT         | 4   | 5/16"                    |         |
| 4   | H85586   | BRACKET     | 1   |                          |         |
| 5   | H85587   | PEDAL       | 1   |                          |         |
| 6   | 11H216   | COTTER PIN  | 1   | 3/16" X 1"               |         |

# 2B14

HYDRAULICS

## AUXILIARY UNLOADING AUGER HYDRAULIC DRIVE OIL LINES

HP1167 -UN-01JAN94



HP1167

| KEY | PART NO. | PART NAME       | QTY | SERIAL NO. | REMARKS   |
|-----|----------|-----------------|-----|------------|---|
| 1   | AH12307  | HYDRAULIC HOSE  | 1   |            | 6 MM X 1048 MM (1/4" I.D. X 41-1/4") LONG                 |
| 2   | H81372   | STRAP           | 6   |            |   |
| 3   | P47478   | ELBOW FITTING   | 1   |            | STREET, 90°   |
| 4   | H33776   | ELBOW FITTING   | 1   |            | 90°   |
| 5   | 29H588   | THREADED NIPPLE | 1   |            | 3/8" X 1-1/4"   |
| 6   | P51319   | ADAPTER         | 1   |            |   |
| 7   | N31771   | PLUG            | 1   |            |   |
| 8   | H85637   | ORIFICE         | 1   |            |   |
| 9   | AH86644  | HYDRAULIC HOSE  | 1   |            | 10 MM X 1194 MM (3/8" I.D. X 47") LONG                    |
| 10  | R27212   | FITTING         | 1   |            |   |
| 11  | R26448   | O-RING          | 1   |            |   |
| 12  | AR37017  | ELBOW FITTING   | 1   | -610100    | (SUB AT35120)   |
|     | AT35120  | ELBOW FITTING   | 1   |            | 90°   |
| 13  | AH75452  | LINE            | 1   |            |   |
| 14  | AH77860  | HYDRAULIC HOSE  | 1   |            | 13 MM X 1324 MM (1/2" I.D. X 60") LONG                    |
| 15  | R35717   | FITTING         | 1   |            |   |
| 16  | AH77869  | CLIP            | 4   |            | INSULATED   |
| 17  | AH77867  | HYDRAULIC HOSE  | 2   |            | 13 MM X 3048 MM (1/2" I.D. X 120") LONG                   |
| 18  | AH77479  | LINE            | 2   |            |   |
| 19  | H22979   | BUSHING         | 4   |            | RUBBER  |
| 20  | H76109   | CLAMP           | 2   |            |   |
| 21  | 21H1137  | SCREW           | 2   |            | 5/16" X 1-1/4"  |
|     | 12H303   | LOCK WASHER     | 2   |            | 5/16"   |
|     | 14H785   | NUT             | 2   |            | 5/16"   |
| 22  | AH77473  | HYDRAULIC HOSE  | 2   |            | 13 MM X 711 MM (1/2" I.D. X 28") LONG                     |
| 23  | AR26724  | ELBOW FITTING   | AR  |            | 90° (2 USED, WITH REEL DRIVE; 3 USED, WITHOUT REEL DRIVE) |
| 24  | R26906   | O-RING          | 3   |            |   |
| 25  | AH86624  | FITTING         | 1   |            |   |

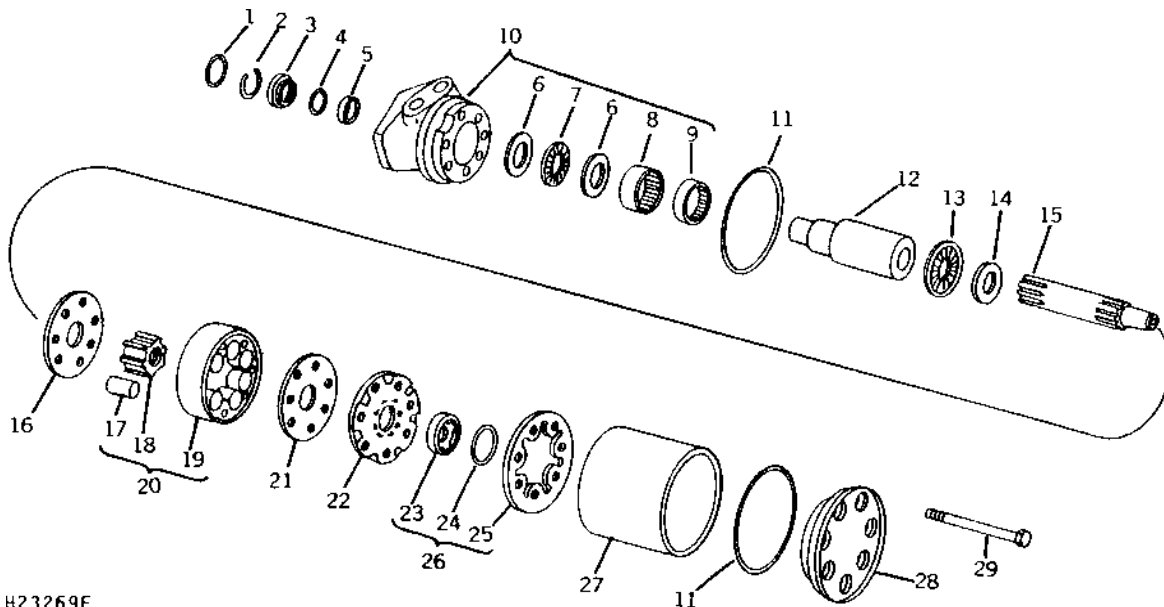


# 2B15

HYDRAULICS

## HYDRAULIC MOTOR (HYDRAULIC DRIVE AUXILIARY UNLOADING AUGER)

H23269 -UN-01JAN94



H23269F

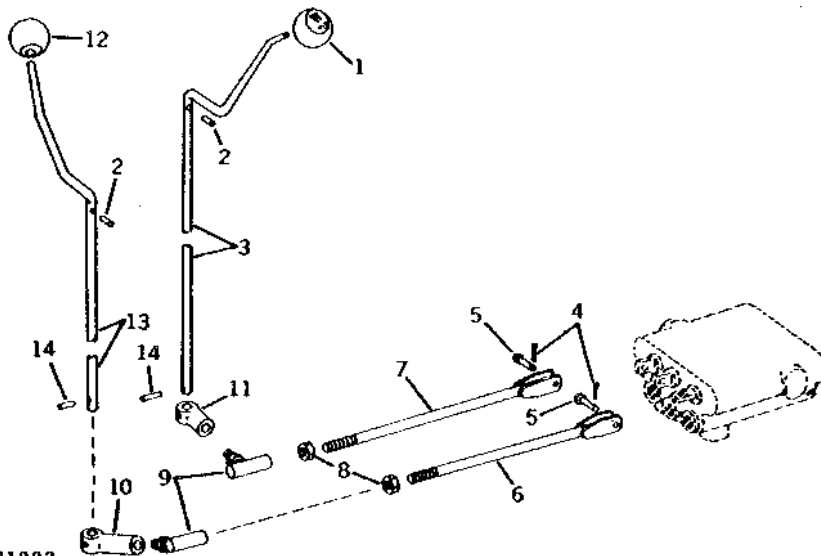
| KEY  | PART NO. | PART NAME          | QTY | SERIAL NO.       | REMARKS |
|--|----------|--------------------|-----|------------------|---------|
| 1  | .....    | SEAL               | 1   | (A)              |         |
| 2  | .....    | SNAP RING          | 1   | (A)              |         |
| 3  | .....    | SPACER             | 1   | (A)              |         |
| 4  | H85803   | WASHER             | 1   | (A)              |         |
| 5  | .....    | SEAL               | 1   | (A)              |         |
| 6  | H85794   | WASHER             | 2   |                  |         |
| 7  | AH86808  | THRUST BEARING     | 1   |                  |         |
| 8  | AH86809  | NEEDLE BEARING     | 1   |                  |         |
| 9  | JD8870   | NEEDLE BEARING     | 1   |                  |         |
| 10   | AH86807  | HOUSING            | 1   |                  |         |
| 11   | H85800   | WASHER             | 2   | (A)              |         |
| 12   | H85795   | SHAFT              | 1   |                  |         |
| 13   | JD8841   | THRUST BEARING     | 1   |                  |         |
| 14   | H80419   | BEARING RACE       | 1   |                  |         |
| 15   | H85796   | LINK               | 1   |                  |         |
| 16   | H85797   | PLATE              | 1   |                  |         |
| 17   | .....    | VANE               | 1   |                  |         |
| 18   | .....    | ROTOR              | 1   |                  |         |
| 19   | .....    | STATOR             | 1   |                  |         |
| 20   | AH86810  | ROTOR              | 1   |                  |         |
| 21   | AH103809 | PLATE              | 1   |                  |         |
| 22   | H85798   | MANIFOLD           | 1   |                  |         |
| 23   | .....    | RING               | 1   | (COMMUTATOR)     |         |
| 24   | H85806   | RING               | 1   | (A)              |         |
| 25   | .....    | RING               | 1   |                  |         |
| 26   | AH86813  | COMMUTATOR HOUSING | 1   |                  |         |
| 27   | H85801   | BUSHING            | 1   |                  |         |
| 28   | AH86814  | COVER              | 1   |                  |         |
| 29   | H85807   | BOLT               | 7   | SPECIAL          |         |
| ..   | AH83835  | MOTOR              | 1   | (REMANUFACTURED) |         |
| KIT LISTED BELOW CONSISTS OF ALL PARTS IDENTIFIED BY AN (A): |          |                    |     |                  |         |
| ..   | AH83836  | KIT                | 1   | SEAL             |         |

# 2B16

HYDRAULICS

H21992 -UN-01JAN94

## PLATFORM LIFT AND REEL LIFT CONTROLS

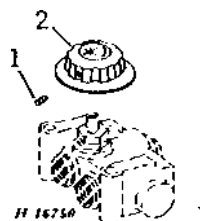


**H21992**  
PART NAME

| KEY | PART NO. | PART NAME  | QTY | SERIAL NO. | REMARKS                                   |
|-----|----------|------------|-----|------------|---|
| 1   | H83053   | KNOB       | 1   |            | (PLATFORM LIFT)                           |
| 2   | 34H266   | SPRING PIN | 2   |            | 5/32" X 1"                                |
| 3   | H99268   | LEVER      | 1   |            | (PLATFORM LIFT)                           |
| 4   | 11H266   | COTTER PIN | 2   |            | 1/16" X 1/2"                              |
| 5   | H35481   | PIN        | 2   | -500000    |   |
|     | U42845   | PIN        | 2   | 500001-    |   |
| 6   | AH76491  | YOKE       | 1   | -500000    | (SUB AH111058 AND U42845)                 |
|     | AH111058 | ROD        | 1   |            | (LIFT REEL)                               |
| 7   | AH76372  | YOKE       | 1   | -500000    | (PLATFORM LIFT) (SUB AH111056 AND U42845) |
|     | AH111056 | ROD        | 1   |            | (PLATFORM LIFT)                           |
| 8   | 14H774   | NUT        | 2   |            | 3/8"                                      |
| 9   | AH83521  | BALL JOINT | 2   |            |   |
| 10  | AH92608  | ARM        | 1   |            |   |
| 11  | AH92606  | ARM        | 1   |            | (PLATFORM LIFT)                           |
| 12  | H83054   | KNOB       | 1   |            | (REEL LIFT)                               |
| 13  | H99267   | LEVER      | 1   |            | (REEL LIFT)                               |
| 14  | 34H282   | SPRING PIN | 2   |            | 3/16" X 1"                                |

## FLOW CONTROL VALVE KNOB (HYDROSTATIC DRIVE REEL)

H16750 -UN-01JAN94



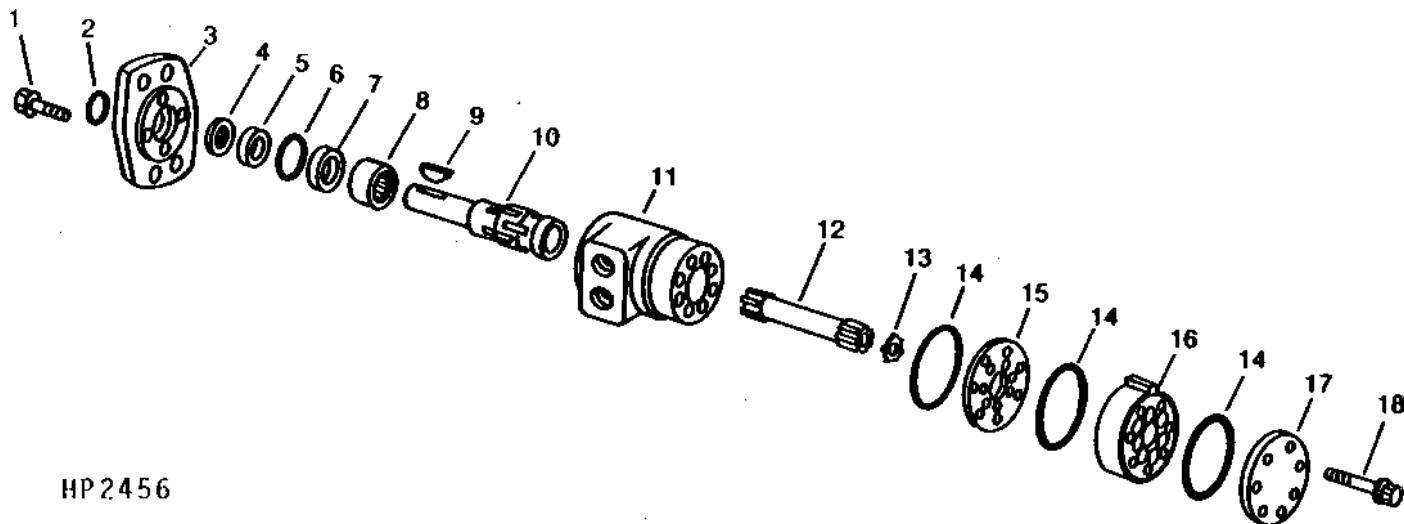
| KEY | PART NO. | PART NAME | QTY | SERIAL NO. | REMARKS       |
|-----|----------|-----------|-----|------------|---------------|
| 1   | 22H922   | SET SCREW | 2   |            | 0.190" X 1/4" |
| 2   | AH76955  | KNOB      | 1   |            |               |

# 2B17

HYDRAULICS

REEL MOTOR  
(SERIAL NO. 610101- )

HP2456 -UN-01JAN94



HP2456

| KEY  | PART NO. | PART NAME      | QTY | SERIAL NO.                                  | REMARKS |
|--|----------|----------------|-----|---|---------|
| 1  | N132503  | BOLT           | 4   |   |         |
| 2  | .....    | SEAL           | 1   | (A)   |         |
| 3  | H122141  | FLANGE         | 1   |   |         |
| 4  | .....    | WASHER         | 1   | (A)   |         |
| 5  | .....    | SEAL           | 1   | (A)   |         |
| 6  | .....    | SEAL           | 1   | (A)   |         |
| 7  | H122143  | THRUST BEARING | 1   |   |         |
| 8  | AH118381 | NEEDLE BEARING | 1   |   |         |
| 9  | 26H22    | SHAFT KEY      | 1   |   |         |
| 10   | H122142  | SHAFT          | 1   |   |         |
| 11   | .....    | HOUSING        | 1   | (SUB AH83835)                               |         |
| 12   | H122139  | DRIVE          | 1   |   |         |
| 13   | H122140  | SPACER         | 1   |   |         |
| 14   | .....    | SEAL           | 3   | (A)   |         |
| 15   | H106807  | SPACER         | 1   |   |         |
| 16   | AH118380 | ROTOR          | 1   | (GEROLER ASSEMBLY)                          |         |
| 17   | H106806  | SEAL KIT       | 1   |   |         |
| 18   | H122138  | CAP SCREW      | 7   |   |         |
| ..   | AH83835  | MOTOR          | 1   | (CHAR-LYNN IDENTIFICATION NO. 126-1101-108) |         |
| KIT LISTED BELOW CONSISTS OF ALL PARTS IDENTIFIED BY AN (A): |          |                |     |   |         |
| ..   | AH118382 | SEAL KIT       | 1   | (TO REPAIR AH83835 MOTOR)                   |         |

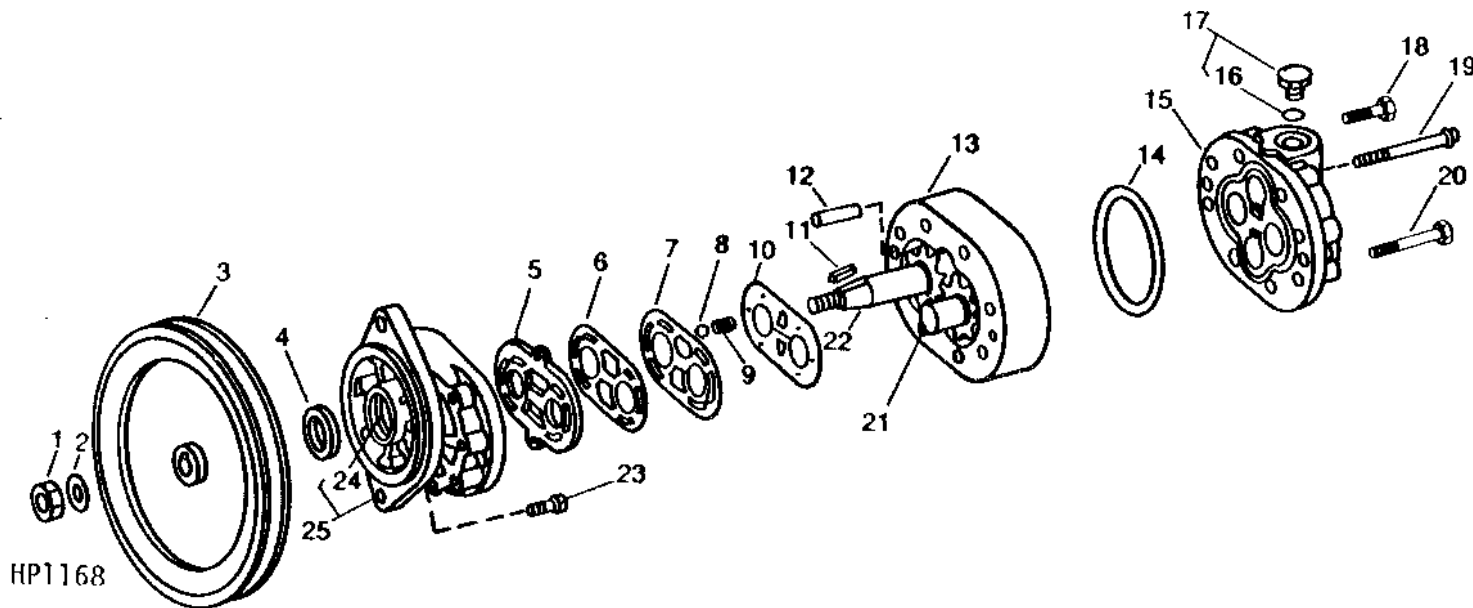
---

MEMORANDA

# 2B18

## HYDROSTATIC DRIVE REEL HYDRAULIC PUMP (CESSNA NO. 24306-RAC)

HP1168 -UN-01JAN94



| KEY | PART NO. | PART NAME     | QTY | SERIAL NO.             | REMARKS          |
|-----|----------|---------------|-----|------------------------|------------------|
| 1   | 14H812   | NUT           | 1   | 3/8"                   |                  |
| 2   | 24H1237  | WASHER        | 1   | 25/64" X 7/8" X 0.060" |                  |
| 3   | AH83518  | SHEAVE        | 1   | 178 MM (7") DIA.       |                  |
| 4   | AH15442  | SEAL          | 1   | (A)                    |                  |
| 5   | .....    | SEAL          | 1   | (A)                    |                  |
| 6   | .....    | GASKET        | 1   | (A)                    |                  |
| 7   | T12958   | GASKET        | 1   | (A)                    |                  |
| 8   | .....    | BALL CHECK    | 2   | (A)                    |                  |
| 9   | .....    | SPRING        | 2   | (A)                    |                  |
| 10  | .....    | DIAPHRAGM     | 1   | (A)                    |                  |
| 11  | N34986   | SHAFT KEY     | 1   |                        |                  |
| 12  | P51444   | DOWEL PIN     | 2   |                        |                  |
| 13  | H80813   | HOUSING       | 1   |                        |                  |
| 14  | .....    | O-RING        | 1   | (A)                    |                  |
| 15  | AH66645  | PLATE         | 1   |                        |                  |
| 16  | R28782   | O-RING        | 1   |                        |                  |
| 17  | AH63282  | FITTING PLUG  | 1   | -450350                |                  |
|     | R51031   | FITTING       | 1   | 450351-                |                  |
| 18  | 19H1949  | CAP SCREW     | 4   | -400784                | 5/16" X 2-1/2"   |
|     | H28156   | SCREW         | 4   | 400785-                |                  |
| 19  | T12966   | CAP SCREW     | 3   |                        |                  |
| 20  | 19H1904  | CAP SCREW     | 2   | -400784                | 5/16" X 3"       |
|     | T12966   | CAP SCREW     | 3   | 400785-                |                  |
| 21  | AE28051  | GEAR          | 1   |                        | IDLER            |
| 22  | AE28050  | STEERING GEAR | 1   |                        |                  |
| 23  | 19H1732  | CAP SCREW     | 2   |                        | 3/8" X 1-1/4"    |
| 24  | .....    | BEARING       | 1   |                        | (SUB AT12111)    |
| 25  | AT12111  | HOUSING       | 1   |                        |                  |
| ..  | AH75515  | PUMP          | 1   |                        | (REMANUFACTURED) |
| ..  | AH66648  | KIT           | 1   |                        | SEAL REPAIR      |

KIT LISTED BELOW CONSISTS OF ALL PARTS IDENTIFIED BY AN (A):

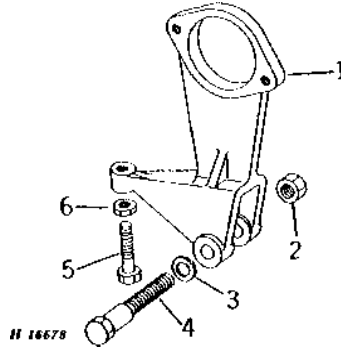
MEMORANDA

# 2B19

HYDRAULICS

H16678 -UN-01JAN94

## HYDROSTATIC DRIVE REEL PUMP MOUNTING



| KEY | PART NO. | PART NAME   | QTY | SERIAL NO.           | REMARKS |
|-----|----------|-------------|-----|----------------------|---------|
| 1   | H77680   | ARM         | 1   |                      |         |
| 2   | 14H821   | NUT         | 1   | 5/8"                 |         |
|     | 12H294   | LOCK WASHER | 1   | 5/8"                 |         |
| 3   | 24H1362  | WASHER      | AR  | 41/64" X 1" X 0.075" |         |
| 4   | H77682   | BOLT        | 1   |                      |         |
| 5   | 19H1793  | CAP SCREW   | 1   | 1/2" X 2"            |         |
| 6   | 14H826   | NUT         | 1   | 1/2"                 |         |

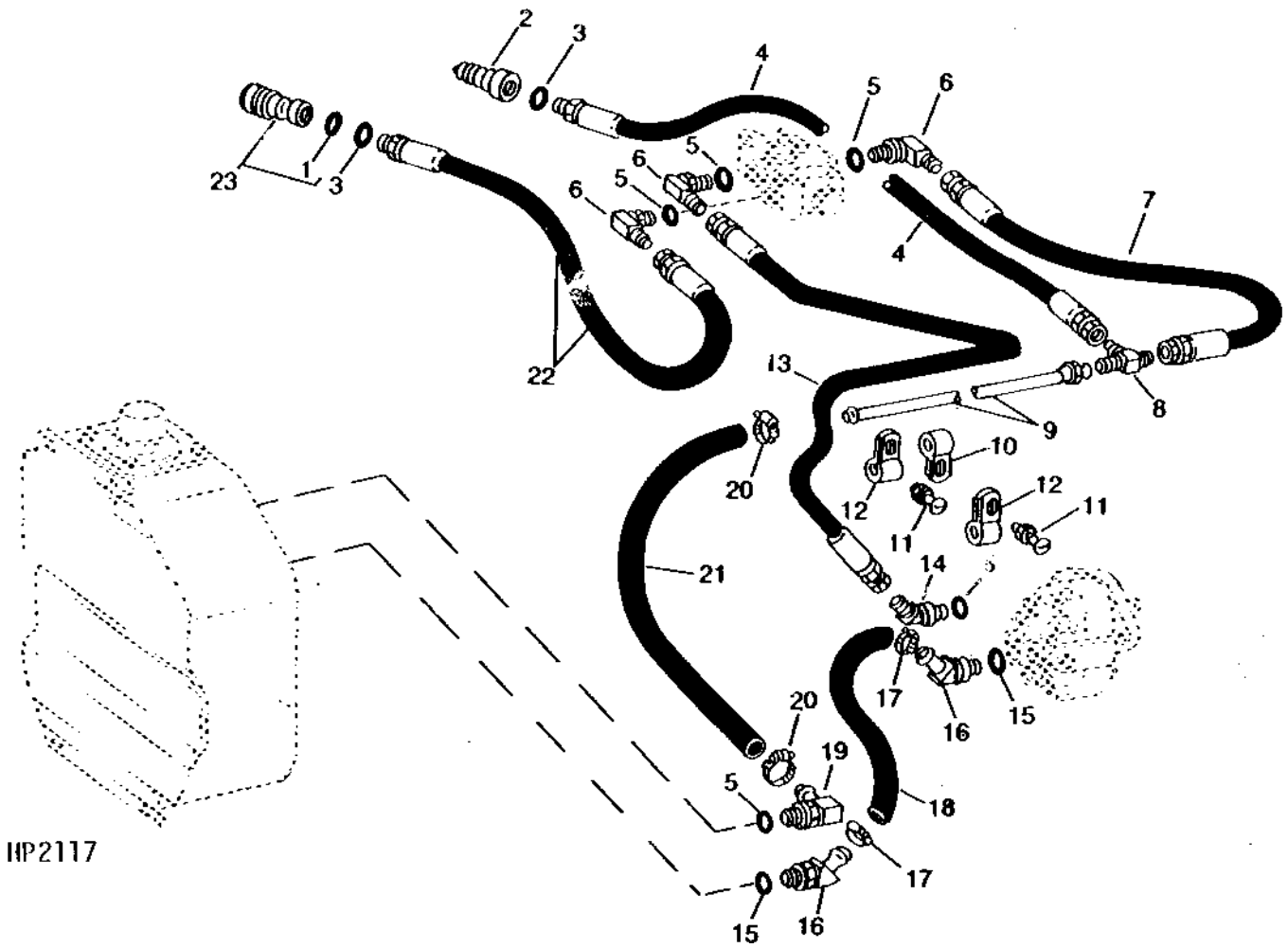
# 2B20

HYDRAULICS

HP2117

-UN-01JAN94

## REEL DRIVE OIL HOSES



HP2117



# 2B21

HYDRAULICS

## REEL DRIVE OIL HOSES - CONTINUED

| KEY | PART NO. | PART NAME                  | QTY | SERIAL NO. | REMARKS  |
|-----|----------|----------------------------|-----|------------|--|
| 1   | P45750   | O-RING                     | 1   |            |  |
| 2   | AH15000  | HYD. QUICK-CONNECT COUPLER | 1   | -600000    | (SUB AR94522, THIS APPLICATION)  |
|     | AR94522  | INTERNAL HALF COUPLER      | 1   |            |  |
| 3   | R26375   | O-RING                     | 2   |            |  |
| 4   | AH78086  | HYDRAULIC HOSE             | 1   | -600000    | (SUB AH112764 OR AH112766, THIS APPLICATION)   |
|     | AH112764 | HYDRAULIC HOSE             | 1   |            | 12.7 MM X 3300 MM (1/2" I.D. X 130") LONG,<br>(REGULAR VARIABLE DRIVE AND REGULAR CHAIN DRIVE) |
|     | AH112766 | HYDRAULIC HOSE             | 1   |            | 12.7 MM X 3500 MM (1/2" I.D. X 138") LONG,<br>(LONG CHAIN DRIVE AND LONG VARIABLE DRIVE)       |
| 5   | R26906   | O-RING                     | 5   |            |  |
| 6   | AR26724  | ELBOW FITTING              | 3   |            |  |
| 7   | AH76927  | HOSE                       | 1   |            |  |
| 8   | H60885   | TEE FITTING                | 1   |            |  |
| 9   | AH75462  | LINE                       | 1   |            |  |
| 10  | AH77924  | CLIP                       | 1   |            |  |
| 11  | 21H1014  | SCREW                      | 2   | 1/4" X 1"  |  |
|     | 12H302   | LOCK WASHER                | 2   | 1/4"       |  |
|     | 14H786   | NUT                        | 2   | 1/4"       |  |
| 12  | H77358   | CLIP                       | 2   |            |  |
| 13  | AH76900  | HYDRAULIC HOSE             | 1   |            |  |
| 14  | AR26828  | ELBOW FITTING              | 1   |            |  |
| 15  | U12547   | O-RING                     | 2   |            |  |
| 16  | AH75159  | FITTING                    | 2   |            |  |
| 17  | AR21839  | CLAMP                      | 2   |            |  |
| 18  | H78684   | HYDRAULIC HOSE             | 1   |            |  |
| 19  | AH75158  | FITTING                    | 1   |            |  |
| 20  | AR21837  | CLAMP                      | 2   |            | (SUB AR94522, THIS APPLICATION)  |
| 21  | H78685   | HOSE                       | 1   |            |  |
| 22  | AH76926  | HYDRAULIC HOSE             | 1   | -600001    | (SUB AH112764 OR AH112766, THIS APPLICATION)   |
|     | AH112764 | HYDRAULIC HOSE             | 1   |            | 12.7 MM X 3300 MM (1/2" I.D. X 130") LONG,<br>(REGULAR VARIABLE DRIVE AND REGULAR CHAIN DRIVE) |
|     | AH112766 | HYDRAULIC HOSE             | 1   |            | 12.7 MM X 3500 MM (1/2" I.D. X 138") LONG,<br>(LONG CHAIN DRIVE AND LONG VARIABLE DRIVE)       |
| 23  | AH75167  | HYD. QUICK-CONNECT COUPLER | 1   |            |  |

---

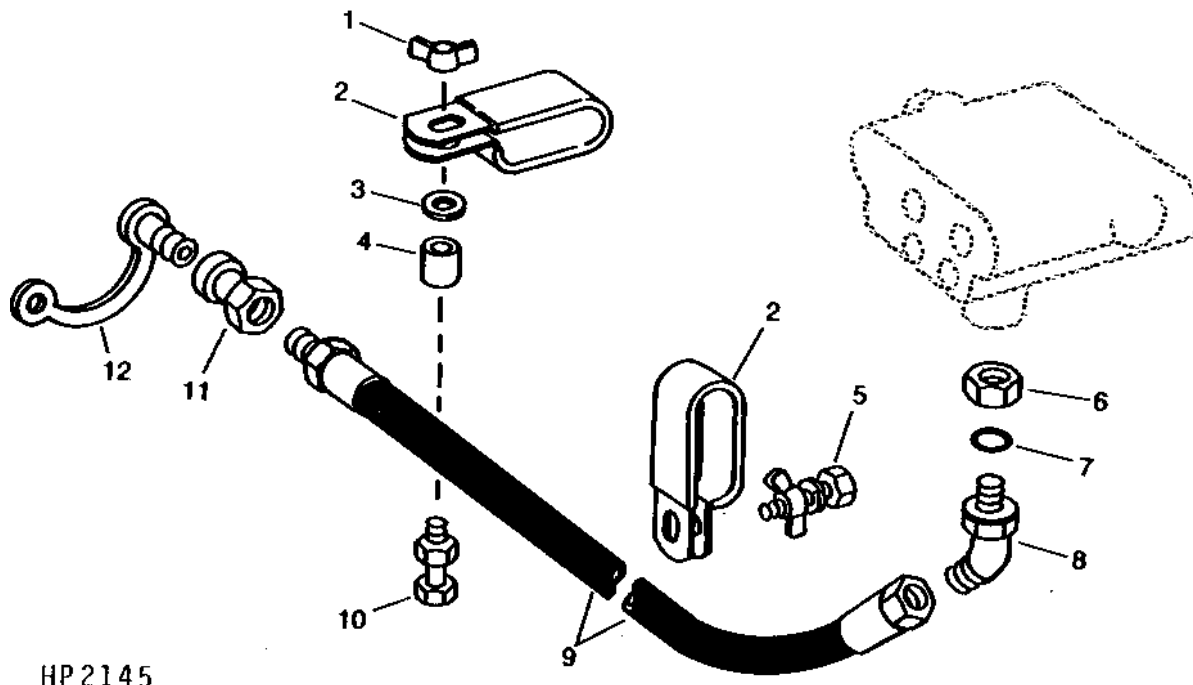
MEMORANDA

# 2B22

HYDRAULICS

## REEL LIFT HYDRAULIC HOSES (LONG VARIABLE FEEDER HOUSE) (SERIAL NO. 600001- )

HP2145 -UN-01JAN94



HP 2145

| KEY | PART NO. | PART NAME                  | QTY | SERIAL NO.   | REMARKS |
|-----|----------|----------------------------|-----|--|---------|
| 1   | 14H827   | WING NUT                   | 1   | 3/8"   |         |
| 2   | AH77884  | CLIP                       | 2   |  |         |
| 3   | 24H1305  | WASHER                     | 1   | 13/32" X 13/16" X 0.065"   |         |
| 4   | 28H2497  | SPACER                     | 1   | 0.423" X 0.675" X 5/8"   |         |
| 5   | 19H1731  | CAP SCREW                  | 1   | 3/8" X 1"  |         |
|     | 12H304   | LOCK WASHER                | 1   | 3/8"   |         |
| 6   | 14H827   | WING NUT                   | 1   | 3/8"   |         |
|     | H94190   | ORIFICE                    | 1   |  |         |
| 7   | R26448   | O-RING                     | 1   |  |         |
| 8   | AT38033  | ELBOW FITTING              | 1   |  |         |
| 9   | AH112932 | HYDRAULIC HOSE             | 1   | 6.5 MM X 2400 MM (1/4" I.D. X 94") LONG (LONG VARIABLE FEEDER HOUSE) |         |
| 10  | 19H1936  | CAP SCREW                  | 1   | 3/8" X 3/4"  |         |
|     | 14H812   | NUT                        | 1   | 3/8"   |         |
| 11  | AH15940  | HYD. QUICK-CONNECT COUPLER | 1   |  |         |

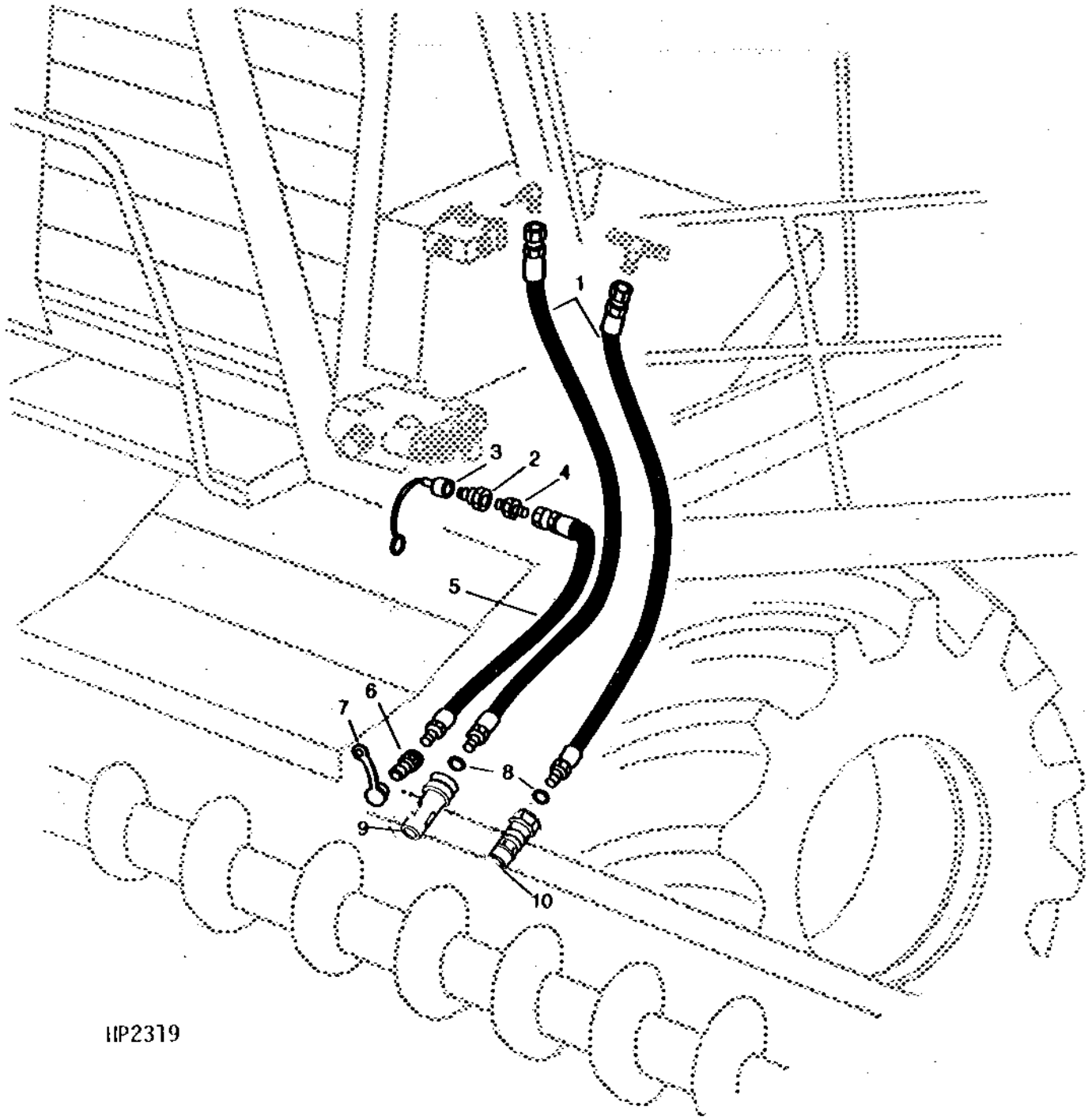
# 2B23

HYDRAULICS

HOSES AND COUPLERS FOR COMBINES ( -600000)  
USED WITH PLATFORMS (600001- )

HP2319

-UN-01JAN94



HP2319

# 2B24

HYDRAULICS

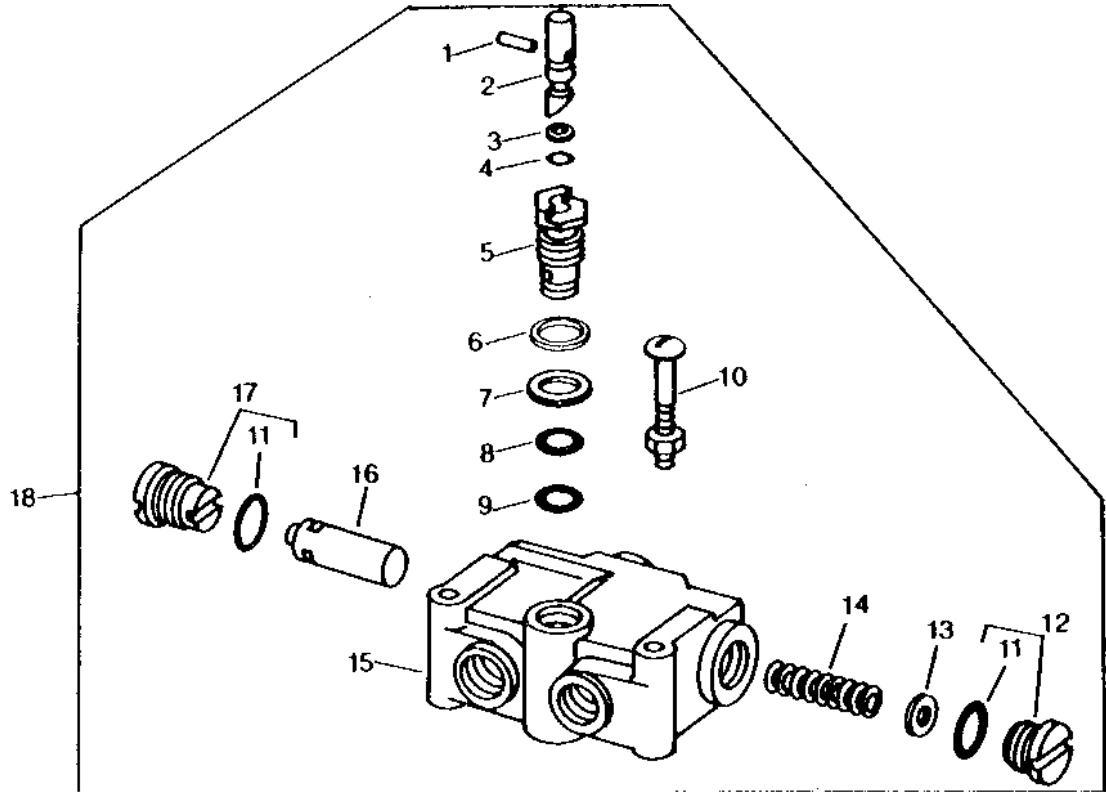
## HOSES AND COUPLERS FOR COMBINES ( -600000) - CONTINUED USED WITH PLATFORMS (600001- )

| KEY | PART NO. | PART NAME                  | QTY | SERIAL NO. | REMARKS  |
|-----|----------|----------------------------|-----|------------|--|
| 1   | AH112764 | HYDRAULIC HOSE             | 2   |            | 12.7 MM X 3300 MM (1/2" X 130") LONG,<br>(REGULAR F.H.) (REEL DRIVE) |
|     | AH112766 | HYDRAULIC HOSE             | 2   |            | 12.7 X 3500 MM (1/2" X 156") LONG (LONG F.H.)<br>(REEL DRIVE)        |
| 2   | AH15939  | HYD. QUICK-CONNECT COUPLER | 1   |            |  |
| 3   | AH83821  | CAP                        | 1   |            |  |
| 4   | R26892   | FITTING                    | 1   |            |  |
| 5   | AH112930 | HYDRAULIC HOSE             | 1   |            | 6.5 MM X 2200 MM (1/4" X 87") LONG, (REGULAR<br>F.H.) (REEL LIFT)    |
|     | AH112932 | HYDRAULIC HOSE             | 1   |            | 6.5 MM X 2300 MM (1/4" X 103") LONG (LONG<br>F.H.) (REEL LIFT)       |
| 6   | AH15940  | HYD. QUICK-CONNECT COUPLER | 1   |            |  |
| 7   | H83742   | DEFLECTOR                  | 1   |            |  |
| 8   | R26375   | O-RING                     | 2   |            |  |
| 9   | AH75167  | HYD. QUICK-CONNECT COUPLER | 1   |            |  |
| 10  | AH15000  | HYD. QUICK-CONNECT COUPLER | 1   |            |  |

# 2B25

HP710 -UN-01JAN94

## HYDROSTATIC DRIVE REEL FLOW CONTROL VALVE

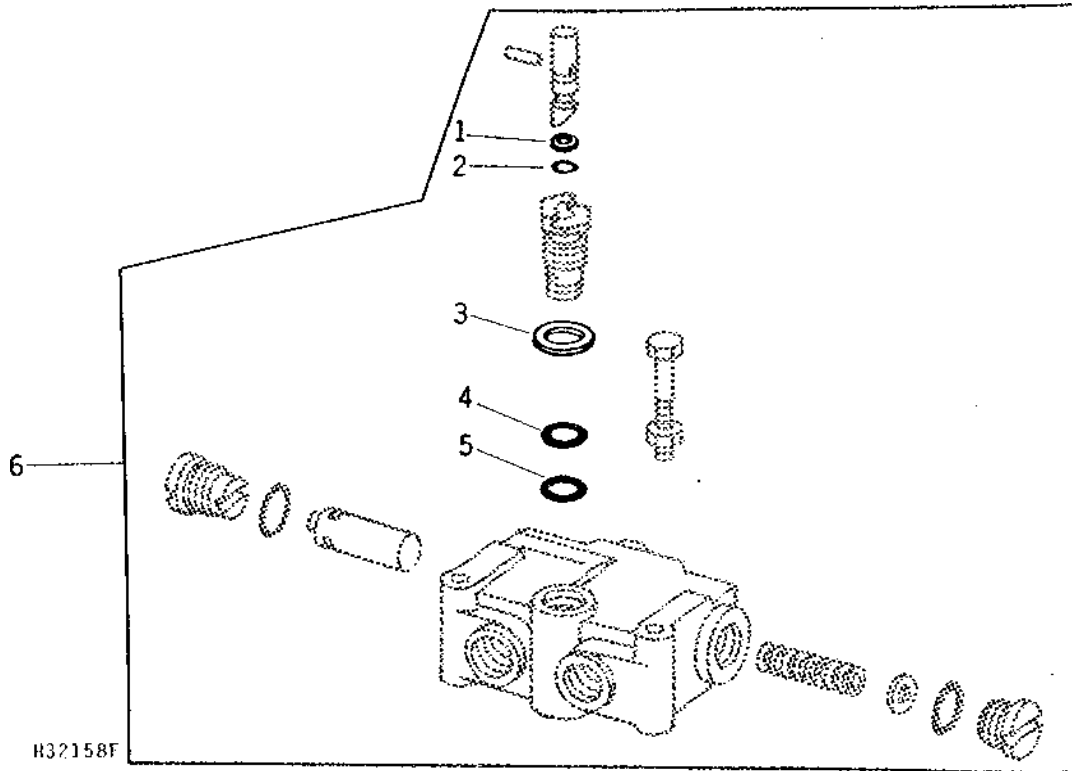


HP710

| KEY | PART NO. | PART NAME    | QTY | SERIAL NO. | REMARKS                         |
|-----|----------|--------------|-----|------------|---------------------------------|
| 1   | H101370  | GROOVE PIN   | 1   |            | (KIT AH81166)                   |
| 2   | .....    | SPOOL        | 1   |            | (KIT AH81166)                   |
| 3   | T27624   | BACK-UP RING | 1   |            | (KIT AH81166 AND AH81167)       |
| 4   | P51212   | O-RING       | 1   |            | (KIT AH81166 AND AH81167)       |
| 5   | .....    | PLUG         | 1   |            | (KIT AH81166)                   |
| 6   | H63357   | BACK-UP RING | 1   |            | (KIT AH81166 AND AH81167)       |
| 7   | T42786   | O-RING       | 1   |            | (KIT AH81166 AND AH81167)       |
| 8   | R28776   | O-RING       | 1   |            | (KIT AH81166 AND AH81167)       |
| 9   | R28776   | O-RING       | 1   |            | (KIT AH81166 AND AH81167)       |
| 10  | H99280   | SCREW        | 2   |            |                                 |
|     | 14H785   | NUT          | 2   | 5/16"      |                                 |
| 11  | H63289   | O-RING       | 2   |            |                                 |
| 12  | AH78760  | DRAIN PLUG   | 1   |            |                                 |
| 13  | .....    | SHIM         | 1   |            |                                 |
| 14  | .....    | SPRING       | 1   |            |                                 |
| 15  | .....    | HOUSING      | 1   |            |                                 |
| 16  | .....    | RELIEF VALVE | 1   |            |                                 |
| 17  | AH81165  | PLUG         | 1   |            |                                 |
| 18  | AH81164  | VALVE        | 1   | -610100    | (REMANUFACTURED) (SUB AH122371) |
|     | AH122371 | CHECK VALVE  | 1   |            | (REMANUFACTURED)                |
| ..  | AH81167  | SEAL KIT     | 1   |            |                                 |
| ..  | AH81166  | KIT          | 1   | -610100    | (SUB AH122354)                  |
| ..  | AH122354 | KIT          | 1   |            | ADJUSTING SCREW                 |

**KIT, SEAL REPAIR  
HYDROSTATIC DRIVE REEL FLOW CONTROL VALVE**

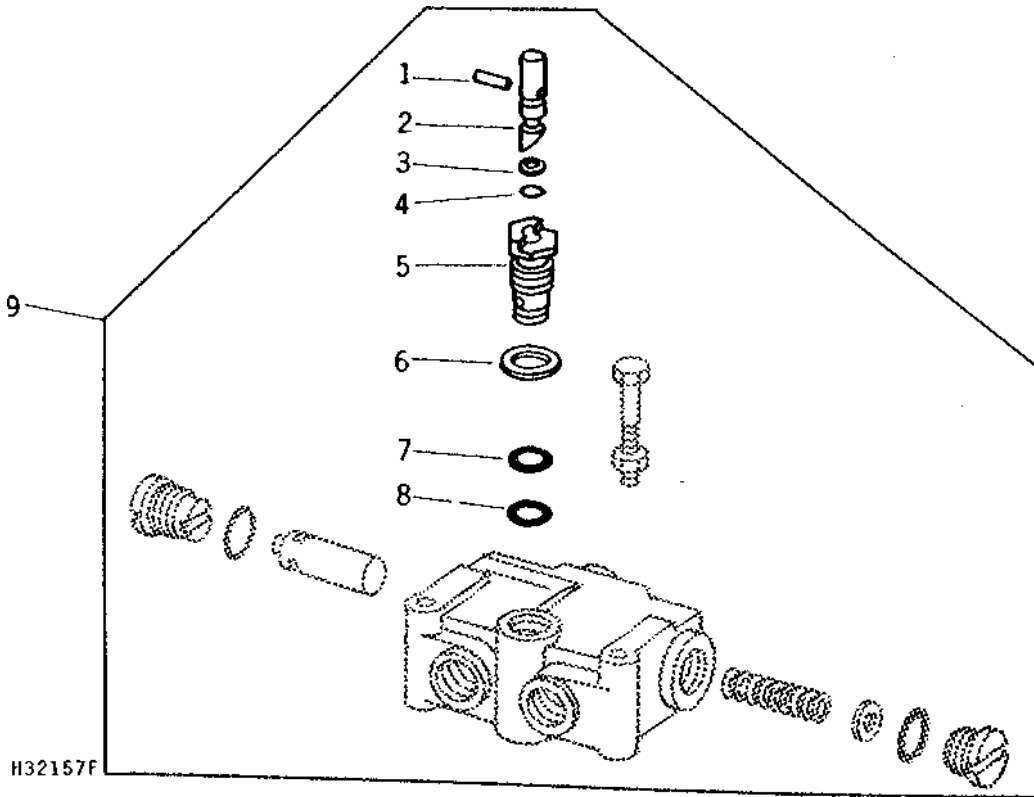
H32158F -UN-01JAN94



| KEY | PART NO. | PART NAME    | QTY | SERIAL NO. | REMARKS                     |
|-----|----------|--------------|-----|------------|-----------------------------|
| 1   | T27624   | BACK-UP RING | 1   |            |                             |
| 2   | P51212   | O-RING       | 1   |            |                             |
| 3   | H63357   | BACK-UP RING | 1   |            |                             |
| 4   | T42786   | O-RING       | 1   |            |                             |
| 5   | R28776   | O-RING       | 1   |            |                             |
| 6   | AH81167  | SEAL KIT     | 1   |            |                             |
| ..  | .....    | O-RING       | 2   |            | (NOT USED THIS APPLICATION) |
| ..  | .....    | WASHER       | 1   |            | (NOT USED THIS APPLICATION) |
| ..  | .....    | O-RING       | 1   |            | (NOT USED THIS APPLICATION) |

KIT, ADJUSTING SCREW  
(HYDROSTATIC DRIVE REEL FLOW CONTROL VALVE)

H32157F -UN-01JAN94

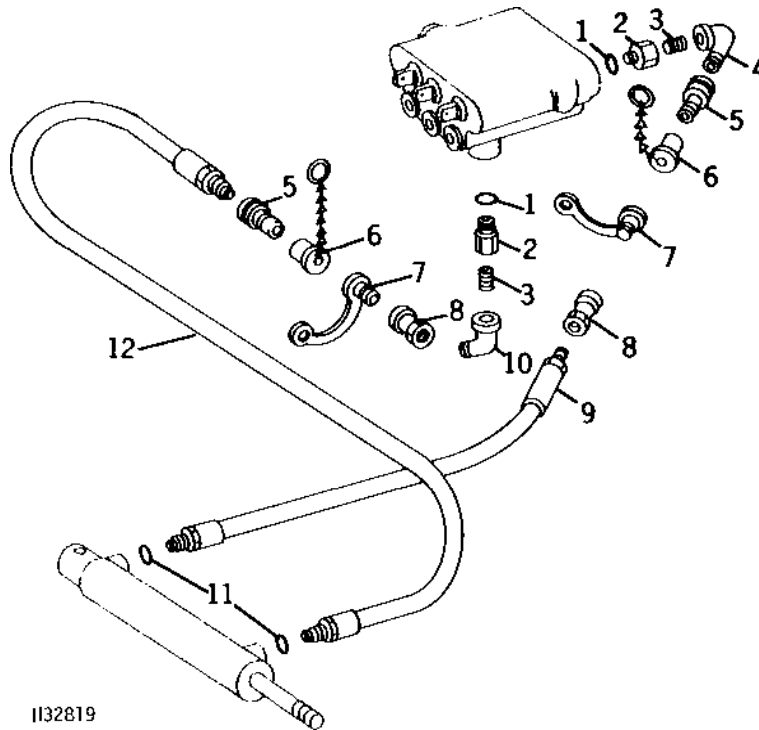


| KEY | PART NO. | PART NAME    | QTY | SERIAL NO. | REMARKS        |
|-----|----------|--------------|-----|------------|----------------|
| 1   | H101370  | GROOVE PIN   | 1   |            |                |
| 2   | .....    | SPOOL        | 1   |            |                |
| 3   | T27624   | BACK-UP RING | 1   |            |                |
| 4   | P51212   | O-RING       | 1   |            |                |
| 5   | .....    | PLUG         | 1   |            |                |
| 6   | H63357   | BACK-UP RING | 1   |            |                |
| 7   | T42786   | O-RING       | 1   |            |                |
| 8   | R28776   | O-RING       | 1   |            |                |
| 9   | AH81166  | KIT          | 1   | -610100    | (SUB AH122354) |
|     | AH122354 | KIT          | 1   |            |                |



VARIABLE DRIVE FEEDER HOUSE OIL HOSES  
(SERIAL NO. -600000)

H32819 -UN-01JAN94



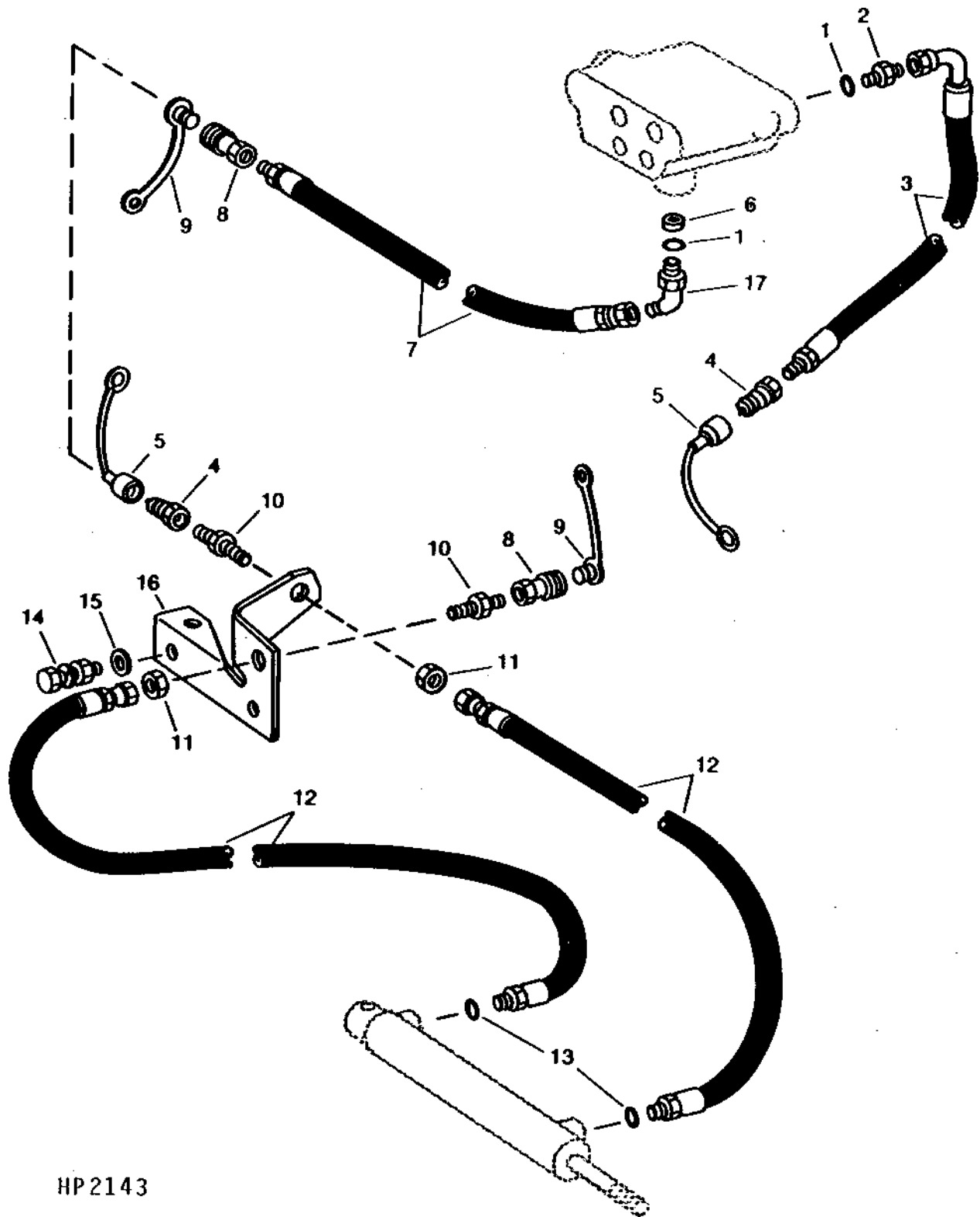
| KEY | PART NO. | PART NAME                  | QTY | SERIAL NO. | REMARKS                               |
|-----|----------|----------------------------|-----|------------|---------------------------------------|
| 1   | R26448   | O-RING                     | 2   |            |                                       |
| 2   | H75412   | ADAPTER                    | 2   |            |                                       |
| 3   | 29H598   | THREADED NIPPLE            | 2   |            | 1/4" X 7/8"                           |
| 4   | P47478   | ELBOW FITTING              | 1   |            | 60°                                   |
| 5   | AH15939  | HYD. QUICK-CONNECT COUPLER | 2   |            |                                       |
| 6   | AH83821  | CAP                        | 2   |            |                                       |
| 7   | H83743   | PLUG                       | 2   |            |                                       |
| 8   | AH15940  | HYD. QUICK-CONNECT COUPLER | 2   |            |                                       |
| 9   | AH75506  | HYDRAULIC HOSE             | 1   |            | 6 MM X 1270 MM (1/4" I.D. X 50") LONG |
| 10  | P50647   | ELBOW FITTING              | 1   |            | 90°                                   |
| 11  | R28782   | O-RING                     | 1   |            |                                       |
| 12  | AH75505  | HYDRAULIC HOSE             | 1   |            | 6 MM X 864 MM (1/4" I.D. X 34") LONG  |

# 2C4

VARIABLE DRIVE FEEDER HOUSE HYDRAULIC HOSES  
(SERIAL NO. 600001- )

HP2143

-UN-01JAN94



HP2143

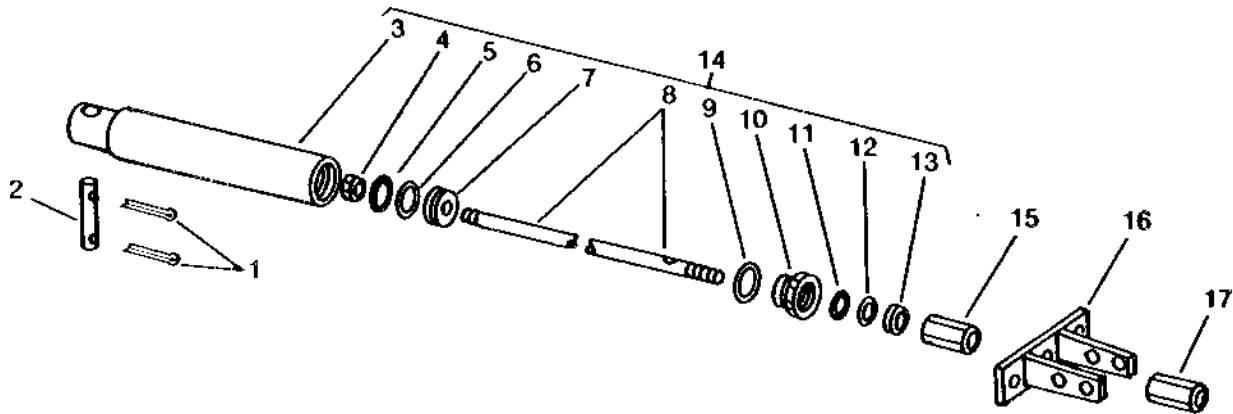
VARIABLE DRIVE FEEDER HOUSE HYDRAULIC HOSES - CONTINUED  
(SERIAL NO. 600001- )

| KEY | PART NO. | PART NAME                  | QTY | SERIAL NO. | REMARKS   |
|-----|----------|----------------------------|-----|------------|---|
| 1   | R26448   | O-RING                     | 2   |            |   |
| 2   | R27212   | FITTING                    | 1   |            |   |
| 3   | AH113137 | HYDRAULIC HOSE             | 1   |            | 6.5 MM X 900 MM (1/4" X 23") LONG (REGULAR AND LONG VARIABLE DRIVE)           |
| 4   | AH15939  | HYD. QUICK-CONNECT COUPLER | 2   |            |   |
| 5   | AH83821  | CAP                        | 2   |            |   |
| 6   | H94190   | ORIFICE                    | 1   |            |   |
| 7   | AH112930 | HYDRAULIC HOSE             | 1   |            | 6.5 MM X 2100 MM (1/4" X 83") LONG (REGULAR VARIABLE AND REGULAR CHAIN DRIVE) |
|     | AH112932 | HYDRAULIC HOSE             | 1   |            | 6.5 MM X 2400 MM (1/4" X 94") LONG (LONG CHAIN AND LONG VARIABLE DRIVE)       |
| 8   | AH15940  | HYD. QUICK-CONNECT COUPLER | 2   |            |   |
| 9   | H83743   | PLUG                       | 2   |            |   |
| 10  | H115880  | UNION FITTING              | 1   |            |   |
| 11  | 14H832   | NUT                        | 2   |            | 9/16"   |
| 12  | AH113136 | HYDRAULIC HOSE             | 2   |            | 6.5 MM X 580 MM (1/4" X 15") LONG (REGULAR AND LONG VARIABLE DRIVE)           |
| 13  | R28782   | O-RING                     | 2   |            |   |
| 14  | 19H2127  | CAP SCREW                  | 2   |            | 5/16" X 7/8"  |
|     | 12H303   | LOCK WASHER                | 2   |            | 5/16"   |
|     | 14H785   | NUT                        | 2   |            | 5/16"   |
| 15  | 24H1136  | WASHER                     | 2   |            | 11/32" X 11/16" X 0.065"  |
| 16  | H115732  | BRACKET                    | 1   |            |   |
| 17  | AT38033  | ELBOW FITTING              | 1   |            | 45° ELBOW   |

# 2C6

HP1577 -UN-01JAN94

## FEEDER HOUSE VARIABLE DRIVE HYDRAULIC CYLINDER



### HP1577

| KEY | PART NO. | PART NAME                 | QTY | SERIAL NO.       | REMARKS |
|-----|----------|---------------------------|-----|------------------|---------|
| 1   | 11H216   | COTTER PIN                | 2   | 3/16" X 1"       |         |
| 2   | P454M    | PIN                       | 1   |                  |         |
| 3   | AH78778  | HYDRAULIC CYLINDER BARREL | 1   |                  |         |
| 4   | H80440   | LOCK NUT                  | 1   |                  |         |
| 5   | .....    | RING                      | 1   | (A)              |         |
| 6   | .....    | WASHER                    | 1   | (A)              |         |
| 7   | H80443   | PISTON                    | 1   |                  |         |
| 8   | H80441   | STUD                      | 1   |                  |         |
| 9   | .....    | O-RING                    | 1   | (A)              |         |
| 10  | H80442   | BEARING                   | 1   |                  |         |
| 11  | .....    | O-RING                    | 1   | (A)              |         |
| 12  | .....    | PISTON RING               | 1   | (A)              |         |
| 13  | .....    | SEAL                      | 1   | (A)              |         |
| 14  | AH75422  | CYLINDER                  | 1   | (REMANUFACTURED) |         |
| 15  | H75938   | NUT                       | 1   |                  |         |
| 16  | AH87592  | CLEVIS                    | 1   |                  |         |
| 17  | H84367   | NUT                       | 1   |                  |         |
| ..  | AH78777  | SEAL KIT                  | 1   |                  |         |

KIT LISTED BELOW CONSISTS OF ALL PARTS IDENTIFIED BY AN (A):

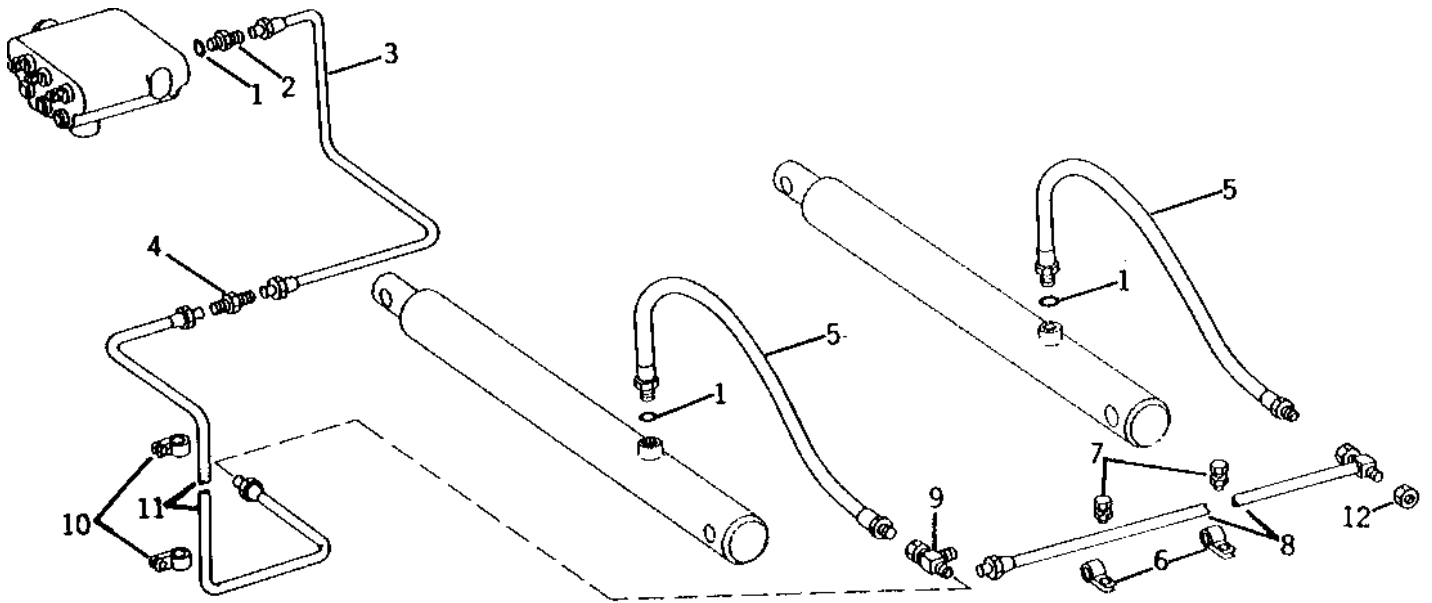
.. AH78777 SEAL KIT 1

# 2C7

HYDRAULICS

H32817 -UN-01JAN94

## PLATFORM LIFT OIL LINES

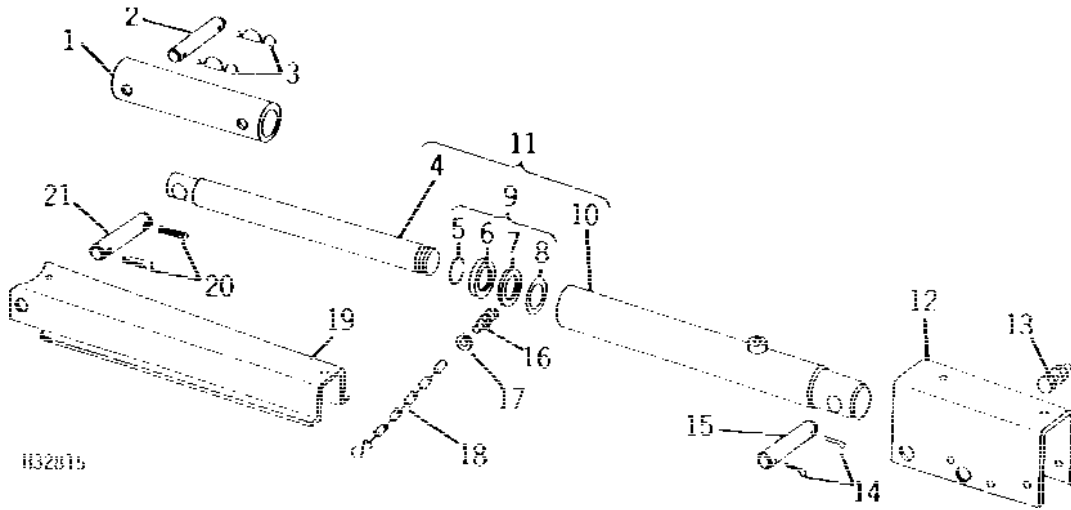


H32817

| KEY | PART NO. | PART NAME      | QTY | SERIAL NO. | REMARKS        |
|-----|----------|----------------|-----|------------|----------------|
| 1   | R26448   | O-RING         | 3   |            |                |
| 2   | R27212   | FITTING        | 1   |            |                |
| 3   | AH76897  | LINE           | 1   |            | UPPER          |
| 4   | R27095   | FITTING        | 1   |            |                |
| 5   | AH75502  | HYDRAULIC HOSE | 2   |            |                |
| 6   | AH76882  | CLIP           | 2   |            | CUSHIONED      |
| 7   | 19H1813  | CAP SCREW      | 2   |            | 5/16" X 5/8"   |
|     | 14H785   | NUT            | 2   |            | 5/16"          |
| 8   | AH99828  | TUBE           | 1   | -400000    | (SUB AH101642) |
|     | AH101642 | OIL LINE       | 1   |            | LOWER          |
| 9   | AH75165  | TEE FITTING    | 1   | -451070    | (SUB AT36921)  |
|     | AT36921  | TEE FITTING    | 1   |            |                |
| 10  | AH76883  | CLIP           | 2   |            | CUSHIONED      |
| 11  | AH102531 | LINE           | 1   |            | MIDDLE         |
| 12  | R39783   | FITTING        | 1   |            |                |

PLATFORM LIFT CYLINDER, BRACKETS, AND SAFETY STOP

H32815 -UN-01JAN94



| KEY | PART NO. | PART NAME                 | QTY | SERIAL NO. | REMARKS                  |
|-----|----------|---------------------------|-----|------------|--------------------------|
| 1   | AH96699  | EXTENSION                 | 1   |            | (LONG FEEDER HOUSE)      |
| 2   | H95041   | PIN                       | 1   |            |                          |
| 3   | H95042   | COTTER PIN                | 2   |            |                          |
| 4   | .....    | ROD                       | 1   |            |                          |
| 5   | .....    | SNAP RING                 | 1   |            |                          |
| 6   | .....    | SEAL                      | 1   |            |                          |
| 7   | .....    | WASHER                    | 1   |            |                          |
| 8   | .....    | O-RING                    | 1   |            |                          |
| 9   | AH78775  | SEAL KIT                  | 1   |            |                          |
| 10  | .....    | HYDRAULIC CYLINDER BARREL | 1   |            |                          |
| 11  | AH89362  | HYDRAULIC CYLINDER        | 1   |            |                          |
| 12  | AH101491 | BRACKET                   | 1   | -550000    | (SUB AH112374)           |
|     | AH112374 | BRACKET                   | 1   |            | R.H.                     |
|     | AH101492 | BRACKET                   | 1   | -550000    | (SUB AH112375)           |
|     | AH112375 | BRACKET                   | 1   |            | L.H.                     |
| 13  | 19H2898  | CAP SCREW                 | 3   | -550000    | 1/2" X 1-1/4"            |
|     | 12H301   | LOCK WASHER               | 3   | -550000    | 1/2"                     |
|     | 14H1040  | NUT                       | 3   | -550000    | 1/2"                     |
|     | 19H2205  | CAP SCREW                 | 5   | 550001-    | 3/8" X 6"                |
|     | E54809   | LOCK NUT                  | 5   | 550001-    |                          |
| 14  | H95042   | COTTER PIN                | 2   |            |                          |
| 15  | H99086   | PIN                       | 1   |            |                          |
| 16  | 19H1900  | CAP SCREW                 | 1   |            | 5/16" X 3/4"             |
|     | 14H785   | NUT                       | 1   |            | 5/16"                    |
| 17  | 24H1136  | WASHER                    | 1   |            | 11/32" X 11/16" X 0.065" |
| 18  | AH20203  | LINK CHAIN                | 1   |            | (WITHOUT FLOAT SPRINGS)  |
|     | AH80055  | LINK CHAIN                | 1   |            | (WITH FLOAT SPRINGS)     |
| 19  | H88237   | STOP                      | 1   |            |                          |
| 20  | H95042   | COTTER PIN                | 2   |            |                          |
| 21  | H95041   | PIN                       | 1   | -500000    | (SUB H112109)            |
|     | H112109  | PIN                       | 1   |            |                          |

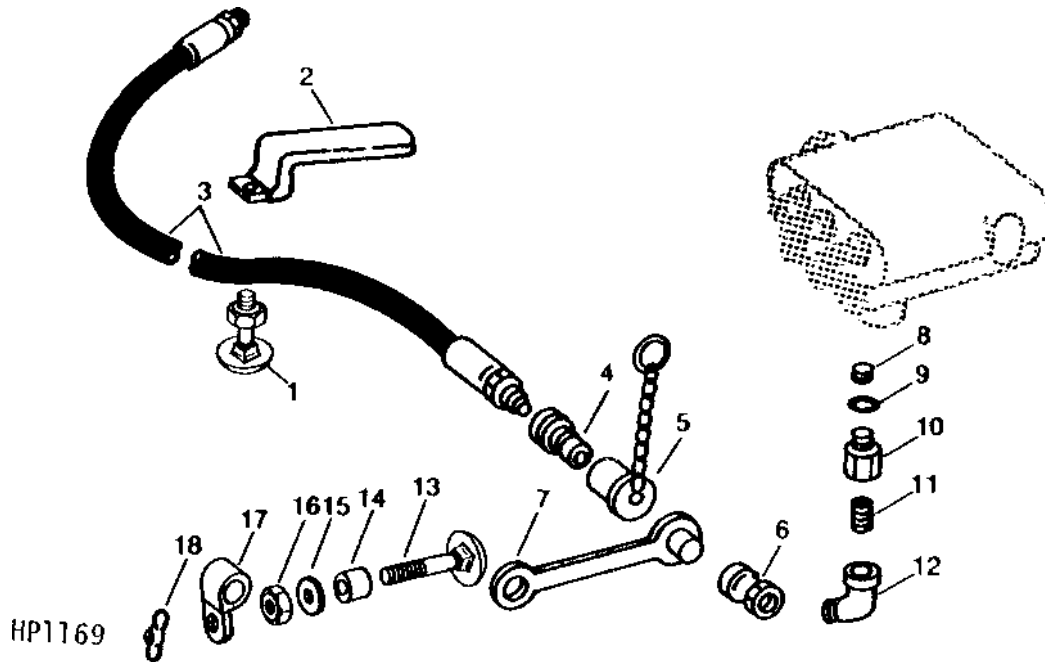
NOTE: QUANTITIES SHOWN ARE FOR ONE UNIT. TWO UNITS USED PER MACHINE

# 2C9

HYDRAULICS

HP1169 -UN-01JAN94

## REEL LIFT OIL LINES

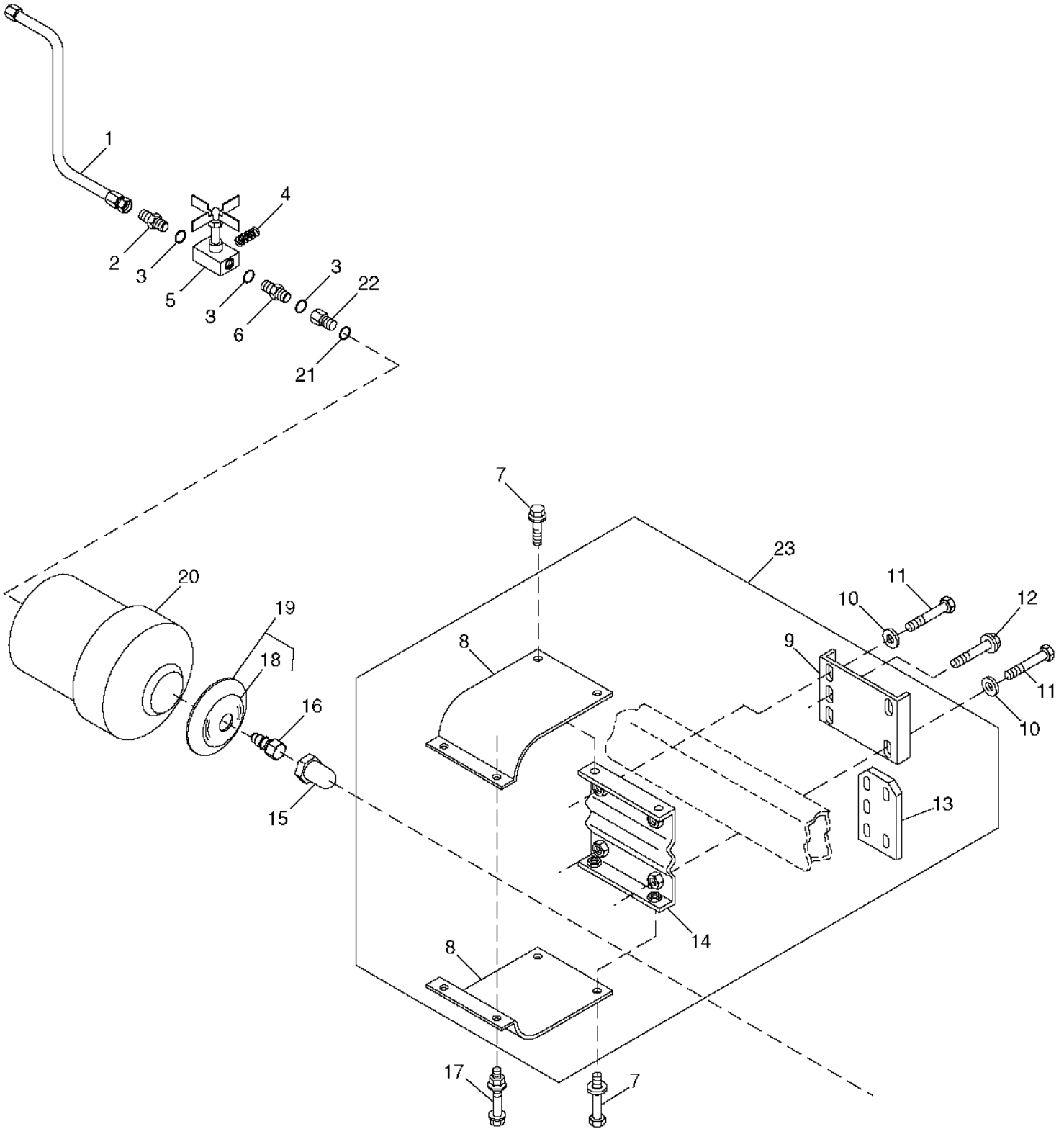


| KEY | PART NO. | PART NAME                  | QTY | SERIAL NO. | REMARKS   |
|-----|----------|----------------------------|-----|------------|---|
| 1   | 19H1936  | CAP SCREW                  | 1   |            |   |
|     | 14H812   | NUT                        | 1   |            | 3/8" X 3/4"   |
| 2   | AH78124  | CLIP                       | 1   |            | 3/8"  |
| 3   | AH62037  | LINE                       | 1   |            | 6 MM X 1727 MM (1/4" I.D. X 68") LONG, (WITH LONG FEEDER HOUSE)           |
|     | AH78119  | HYDRAULIC HOSE             | 1   |            | 6 MM X 1422 MM (1/4" I.D. X 56") LONG, (WITH REGULAR LENGTH FEEDER HOUSE) |
| 4   | AH15939  | HYD. QUICK-CONNECT COUPLER | 1   |            |   |
| 5   | AH83821  | CAP                        | 1   |            |   |
| 6   | AH15940  | HYD. QUICK-CONNECT COUPLER | 1   |            |   |
| 7   | H83743   | PLUG                       | 1   |            |   |
| 8   | H94190   | ORIFICE                    | 1   |            |   |
| 9   | R26448   | O-RING                     | 1   |            |   |
| 10  | H75412   | ADAPTER                    | 1   |            |   |
| 11  | 29H598   | THREADED NIPPLE            | 1   |            | 1/4" X 7/8"   |
| 12  | P50647   | ELBOW FITTING              | 1   |            |   |
| 13  | 03H2020  | BOLT                       | 1   |            | 3/8" X 2"   |
| 14  | 28H2497  | SPACER                     | 1   |            | 3/8" X 5/8"   |
| 15  | 24H1305  | WASHER                     | 1   |            | 13/32" X 13/16" X 0.065"  |
| 16  | 14H812   | NUT                        | 1   |            | 3/8"  |
| 17  | AH78125  | CLIP                       | 1   |            |   |
| 18  | 14H827   | WING NUT                   | 1   |            | 3/8"  |

# 2C10

HYDRAULICS

HP9689 -UN-12APR00 ACCUMULATOR, PRESSURE CONTROL VALVE, AND MOUNTING BRACKET



HP9689



ACCUMULATOR, PRESSURE CONTROL VALVE, AND MOUNTING BRACKET - CONTINUED

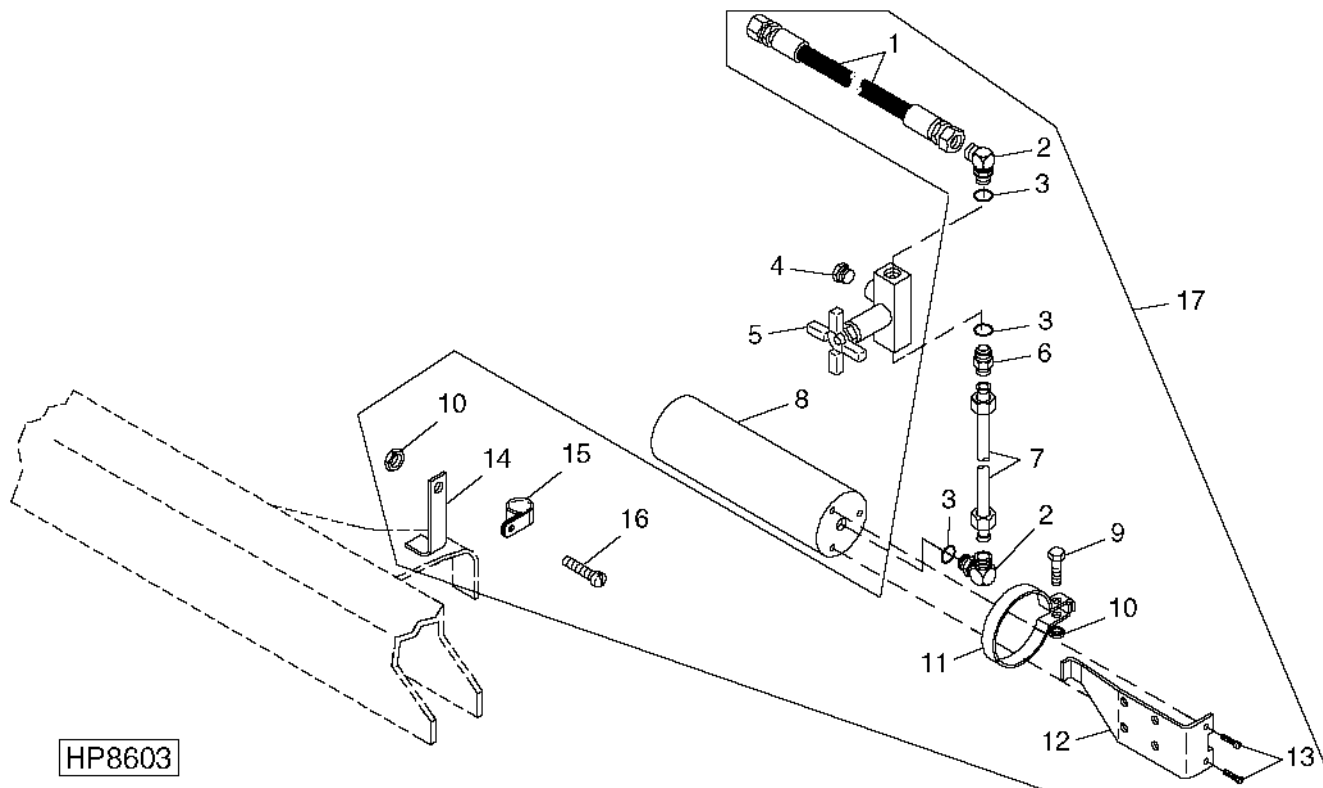
| KEY | PART NO. | PART NAME          | QTY | SERIAL NO.               | REMARKS   |
|-----|----------|--------------------|-----|--------------------------|---|
| 1   | AH101382 | LINE               | 1   |                          |   |
| 2   | AR31674  | FITTING            | 1   |                          |   |
| 3   | R26375   | O-RING             | 3   |                          |   |
| 4   | 15H275   | PIPE PLUG          | 1   | 1/4"                     |   |
| 5   | AA14834  | VALVE              | 1   |                          |   |
| 6   | AN131153 | UNION FITTING      | 1   |                          |   |
| 7   | N10212   | SELF-LOCKING SCREW | 4   |                          |   |
| 8   | H101178  | STRAP              | 2   |                          |   |
| 9   | H101179  | CHANNEL            | 1   |                          |   |
| 10  | H101177  | BRACKET            | 1   |                          |   |
| 11  | 19H1913  | CAP SCREW          | 4   | 5/16" X 2-1/4"           |   |
|     | 12H303   | LOCK WASHER        | 4   | 5/16"                    |   |
| 12  | 24H1136  | WASHER             | 4   | 11/32" X 11/16" X 0.065" |   |
| 13  | AH100282 | BRACKET            | 1   |                          |   |
| 14  | 19H1849  | CAP SCREW          | 2   | 5/16" X 1-1/4"           |   |
|     | 12H303   | LOCK WASHER        | 2   | 5/16"                    |   |
|     | 14H785   | NUT                | 2   | 5/16"                    |   |
| 15  | A16065   | GUARD              | 1   |                          |   |
| 16  | AA15092  | VALVE              | 1   |                          |   |
| 17  | H109826  | DECAL              | 1   |                          |   |
| 18  | H101544  | INSTRUCTION PLATE  | 1   | -450000                  | (SUB H109555)                                       |
|     | H109555  | DECAL              | 1   |                          | INCLUDES DECAL                                      |
| 19  | AH100091 | ACCUMULATOR        | 1   |                          | (ONE-HALF GALLON) (AUTOMATIC HEADER HEIGHT CONTROL) |
|     | AH108187 | ACCUMULATOR        | 1   |                          | (ONE GALLON)  |
| 20  | U12547   | O-RING             | 1   |                          | (ONE GALLON TANK)                                   |
| 21  | R70921   | ADAPTER            | 1   |                          | (ONE GALLON TANK)                                   |

# 2C12

HYDRAULICS

HP8603 -UN-12APR00

## ACCUMULATOR AND REPLACEMENT MOUNTING BRACKET



HP8603

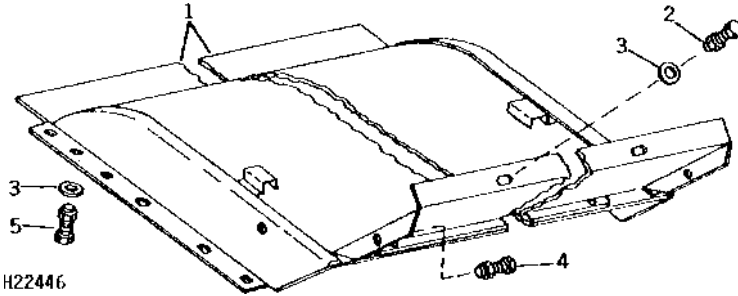
| KEY | PART NO. | PART NAME     | QTY | SERIAL NO. | REMARKS   |
|-----|----------|---------------|-----|------------|---|
| 1   | AH165472 | HOSE          | 1   |            |   |
| 2   | AT32332  | ELBOW FITTING | 2   |            |   |
| 3   | R26375   | O-RING        | 3   |            |   |
| 4   | 15H275   | PIPE PLUG     | 1   |            | 1/4", (OR OPTIONAL GAGE HOSE)   |
| 5   | AA14834  | VALVE         | 1   |            |   |
| 6   | R27237   | FITTING       | 1   |            |   |
| 7   | AH165471 | TUBE          | 1   |            |   |
| 8   | AH133265 | ACCUMULATOR   | 1   |            | (1/2 GALLON) (SUB FOR AH100091) (FOR 1ST TIME INSTALLATION, AH166769 KIT ALSO REQUIRED) |
|     | AH143455 | ACCUMULATOR   | 1   |            | (1 GALLON) (SUB FOR AH108187) (FOR 1ST TIME INSTALLATION, AH166769 KIT ALSO REQUIRED)   |
| 9   | 03M7196  | BOLT          | 1   |            | M10 X 50  |
| 10  | 14M7296  | FLANGE NUT    | 2   |            | M10   |
| 11  | R77178   | CLAMP         | 1   |            |   |
| 12  | H171289  | BRACKET       | 1   |            |   |
| 13  | 19M7864  | SCREW         | 2   |            | M8 X 12   |
| 14  | H171290  | CLAMP         | 1   |            |   |
| 15  | AH79175  | CLIP          | 1   |            |   |
| 16  | 19M7784  | SCREW         | 1   |            | M10 X 20  |
| 17  | AH166769 | KIT           | 1   |            |   |

# 2C14

SEPARATOR SHELL

H22446 -UN-01JAN94

## SEPARATOR TOP SHEET



H22446

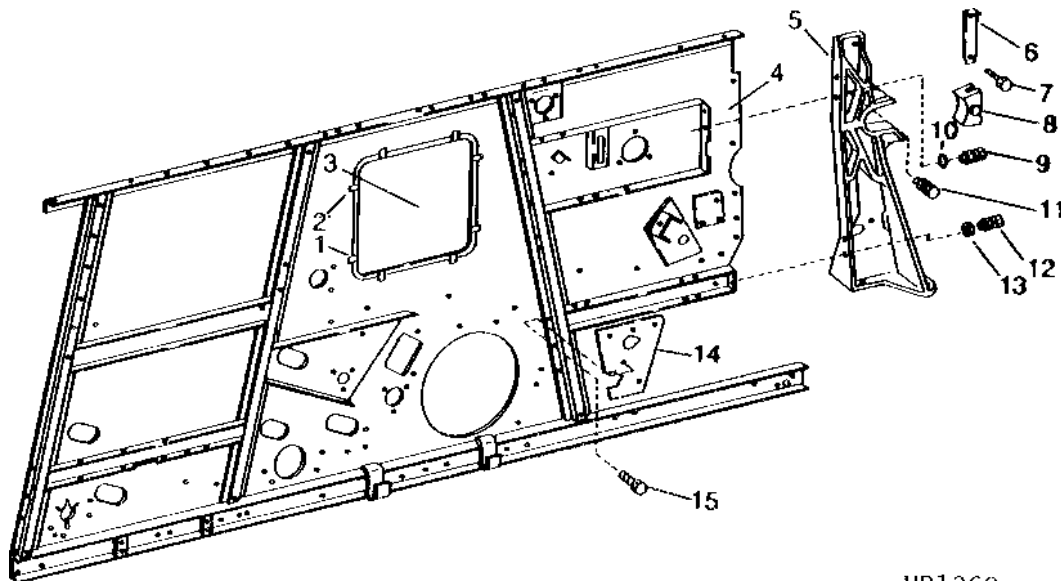
| KEY | PART NO. | PART NAME | QTY | SERIAL NO.               | REMARKS |
|-----|----------|-----------|-----|--------------------------|---------|
| 1   | AH101579 | SHEET     | 1   |                          |         |
| 2   | 19H1905  | CAP SCREW | 3   | 5/16" X 1"               |         |
|     | 14H785   | NUT       | 3   | 5/16"                    |         |
| 3   | 24H1136  | WASHER    | 10  | 11/32" X 11/16" X 0.065" |         |
| 4   | 19H1813  | CAP SCREW | 2   | 5/16" X 5/8"             |         |
|     | 14H785   | NUT       | 2   | 5/16"                    |         |
| 5   | 19H2127  | CAP SCREW | 4   | 5/16" X 7/8"             |         |
|     | 14H785   | NUT       | 4   | 5/16"                    |         |

# 2C15

SEPARATOR SHELL

HP1362 -UN-01JAN94

## SEPARATOR RIGHT-HAND SIDE SHEETS AND FRAME



HP1362

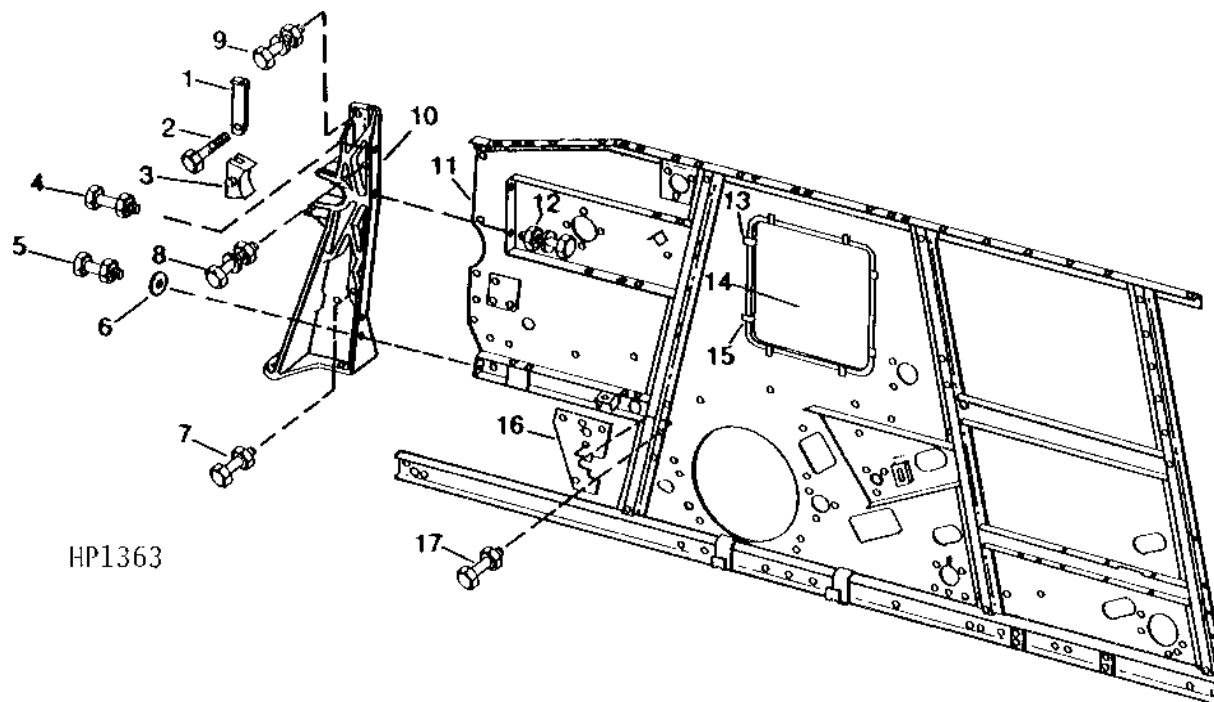
| KEY | PART NO. | PART NAME   | QTY | SERIAL NO. | REMARKS                  |
|-----|----------|-------------|-----|------------|--------------------------|
| 1   | 03H1540  | BOLT        | 7   |            | 5/16" X 3/4"             |
|     | 14H819   | WING NUT    | 7   |            | 5/16"                    |
|     | P47159   | CLAMP       | 1   |            |                          |
| 3   | H77885   | DOOR        | 1   |            |                          |
| 4   | AH101577 | FRAME       | 1   | -550000    | (SUB AH112245)           |
|     | AH112245 | FRAME       | 1   |            |                          |
| 5   | H92938   | SUPPORT     | 1   |            |                          |
| 6   | P47415   | KEY         | 1   |            |                          |
| 7   | 19H2020  | CAP SCREW   | 1   |            | 5/16" X 1/2"             |
| 8   | H10835   | RETAINER    | 1   |            |                          |
| 9   | 19H2993  | CAP SCREW   | 2   |            | 1/2" X 1-1/2"            |
|     | 12H301   | LOCK WASHER | 2   |            | 1/2"                     |
|     | 14H1040  | NUT         | 2   |            | 1/2"                     |
| 10  | 24H1341  | WASHER      | 2   |            | 17/32" X 15/16" X 0.060" |
| 11  | 10H1026  | BOLT        | 3   |            | 3/8" X 1"                |
|     | 12H304   | LOCK WASHER | 3   |            | 3/8"                     |
|     | 14H812   | NUT         | 3   |            | 3/8"                     |
| 12  | 19H3239  | CAP SCREW   | 2   |            | 3/8" X 1-1/4"            |
|     | 12H304   | LOCK WASHER | 2   |            | 3/8"                     |
|     | 14H812   | NUT         | 2   |            | 3/8"                     |
| 13  | 24H1122  | WASHER      | 2   |            | 3/8" X 7/8" X 0.083"     |
| 14  | H86204   | GUSSET      | 1   |            |                          |
| 15  | 19H1731  | CAP SCREW   | 5   |            | 3/8" X 1"                |
|     | 12H304   | LOCK WASHER | 5   |            | 3/8"                     |
|     | 14H812   | NUT         | 5   |            | 3/8"                     |

# 2C16

SEPARATOR SHELL

HP1363 -UN-01JAN94

## SEPARATOR LEFT-HAND SIDE SHEETS AND FRAME



HP1363

| KEY | PART NO. | PART NAME   | QTY | SERIAL NO.           | REMARKS        |
|-----|----------|-------------|-----|----------------------|----------------|
| 1   | P47415   | KEY         | 1   |                      |                |
| 2   | 19H2020  | CAP SCREW   | 1   | 5/16" X 1/2"         |                |
| 3   | H10835   | RETAINER    | 1   |                      |                |
| 4   | 19H3263  | CAP SCREW   | 1   | 1/2" X 2-1/2"        |                |
|     | 14H1040  | NUT         | 1   | 1/2"                 |                |
|     | 12H301   | LOCK WASHER | 2   | 1/2"                 |                |
| 5   | 19H3217  | CAP SCREW   | 2   | 3/8" X 1-3/4"        |                |
|     | 14H812   | NUT         | 2   | 3/8"                 |                |
| 6   | 24H1122  | WASHER      | 2   | 3/8" X 7/8" X 0.083" |                |
| 7   | 10H1028  | BOLT        | 1   | 3/8" X 1-1/2"        |                |
|     | 14H812   | NUT         | 1   | 3/8"                 |                |
| 8   | 09H1590  | BOLT        | 2   | 3/8" X 1-1/2"        |                |
|     | 12H304   | LOCK WASHER | 2   | 3/8"                 |                |
|     | 14H812   | NUT         | 2   | 3/8"                 |                |
| 9   | 19H1815  | CAP SCREW   | 2   | 1/2" X 1-1/4"        |                |
|     | 12H301   | LOCK WASHER | 2   | 1/2"                 |                |
|     | 14H1040  | NUT         | 2   | 1/2"                 |                |
| 10  | H92939   | SUPPORT     | 1   |                      |                |
| 11  | AH101578 | FRAME       | 1   | -550000              | (SUB AH112244) |
|     | AH112244 | FRAME       | 1   |                      |                |
| 12  | 19H2993  | CAP SCREW   | 1   | 1/2" X 1-1/2"        |                |
|     | 12H301   | LOCK WASHER | 1   | 1/2"                 |                |
|     | 14H1040  | NUT         | 1   | 1/2"                 |                |
| 13  | 03H1540  | BOLT        | 8   | 5/16" X 3/4"         |                |
|     | 14H819   | WING NUT    | 8   | 5/16"                |                |
| 14  | H77885   | DOOR        | 1   |                      |                |
| 15  | P47159   | CLAMP       | 8   |                      |                |
| 16  | H86204   | GUSSET      | 1   |                      |                |
| 17  | 19H1731  | CAP SCREW   | 5   | 3/8" X 1"            |                |
|     | 14H812   | NUT         | 5   | 3/8"                 |                |

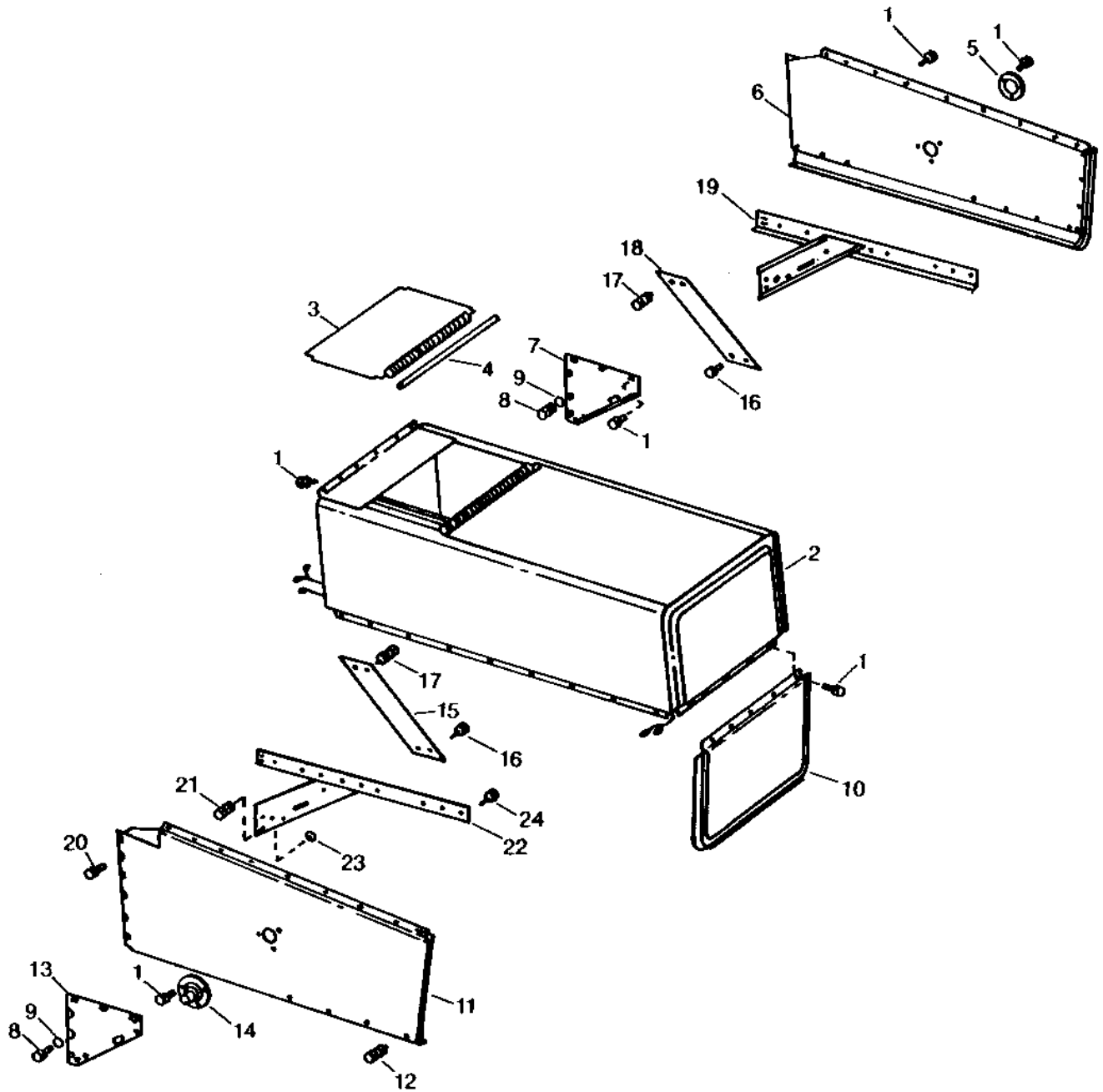
# 2C17

SEPARATOR SHELL

HP1901

-UN-01JAN94

REAR HOOD



HP1901

# 2C18

SEPARATOR SHELL

## REAR HOOD - CONTINUED

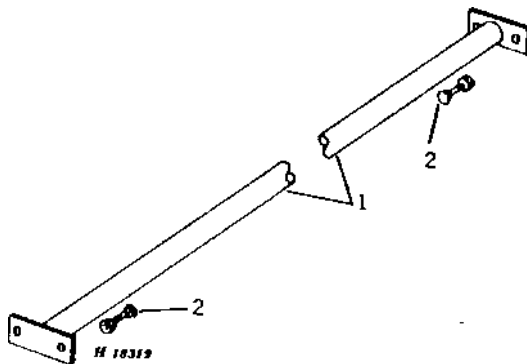
| KEY | PART NO. | PART NAME          | QTY | SERIAL NO. | REMARKS                  |
|-----|----------|--------------------|-----|------------|--------------------------|
| 1   | H65108   | SCREW              | AR  | -550000    | SELF-TAPPING             |
| 2   | AH98947  | HOOD               | 1   |            | TOP                      |
| 3   | H75294   | DOOR               | 1   |            |                          |
| 4   | H75295   | PIN                | 1   |            |                          |
| 5   | H76805   | COVER              | 1   | -550000    | R.H.                     |
|     | H99297   | COVER              | 1   | 550001-    | R.H.                     |
| 6   | AH85648  | SHEET              | 1   | -550000    | (SUB AH112250)           |
|     | AH112250 | SHEET              | 1   |            | R.H.                     |
| 7   | H77529   | GUSSET             | 1   | -550000    | R.H.                     |
|     | H114557  | GUSSET             | 1   | 550001-    | R.H.                     |
| 8   | 19H1813  | CAP SCREW          | 6   |            | 5/16" X 5/8"             |
|     | 14H785   | NUT                | 6   |            | 5/16"                    |
| 9   | 24H1136  | WASHER             | 6   |            | 11/32" X 11/16" X 0.065" |
| 10  | AH76263  | SHEET              | 1   |            |                          |
| 11  | AH76261  | SHEET              | 1   |            | (SUB AH85649)            |
|     | AH85649  | SHEET              | 1   | -550000    | (SUB AH112251)           |
|     | AH112251 | SHEET              | 1   |            | L.H.                     |
| 12  | N10212   | SELF-LOCKING SCREW | 8   |            |                          |
|     | N10213   | LOCK NUT           | 8   |            |                          |
| 13  | H77530   | GUSSET             | 1   | -550000    | L.H.                     |
|     | H114557  | GUSSET             | 1   | 550001-    | L.H.                     |
| 14  | H83386   | COVER              | 1   | -550000    | (SUB H99297)             |
|     | H99297   | COVER              | 1   |            | L.H.                     |
| 15  | AH112282 | STRAP              | 1   |            | L.H.                     |
| 16  | N14822   | SELF-LOCKING SCREW | 4   | 550001-    |                          |
| 17  | N10212   | SELF-LOCKING SCREW | 4   | 550001-    |                          |
|     | N10213   | LOCK NUT           | 4   | 550001-    |                          |
| 18  | AH112281 | STRAP              | 1   |            | R.H.                     |
| 19  | AH113196 | REINFORCEMENT      | 1   | 550001-    | R.H.                     |
| 20  | N14822   | SELF-LOCKING SCREW | 12  | 550001-    |                          |
| 21  | 19H1813  | CAP SCREW          | 4   | 550001-    | 5/16" X 5/8"             |
|     | 12H303   | LOCK WASHER        | 4   | 550001-    | 5/16"                    |
|     | 14H785   | NUT                | 4   | 550001-    | 5/16"                    |
| 22  | AH113195 | REINFORCEMENT      | 1   | 550001-    | L.H.                     |
| 23  | 24H1136  | WASHER             | 4   | 550001-    | 11/32" X 11/16" X 0.065" |
| 24  | N10212   | SELF-LOCKING SCREW | 4   | 550001-    |                          |

# 2C19

SEPARATOR SHELL

H18319 -UN-01JAN94

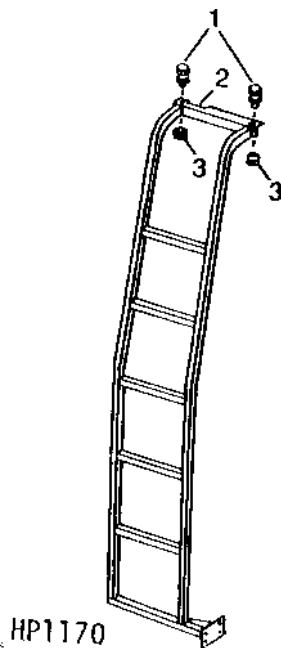
## SEPARATOR CROSS BRACE



| KEY | PART NO. | PART NAME | QTY | SERIAL NO. | REMARKS |
|-----|----------|-----------|-----|------------|---------|
| 1   | AH83430  | BRACE     | 1   |            |         |
| 2   | 03H1500  | BOLT      | 4   | 3/8" X 1"  |         |
|     | 14H812   | NUT       | 4   | 3/8"       |         |

HP1170 -UN-01JAN94

## SEPARATOR LADDER



| KEY | PART NO. | PART NAME | QTY | SERIAL NO.               | REMARKS |
|-----|----------|-----------|-----|--------------------------|---------|
| 1   | 19H1905  | CAP SCREW | 2   | 5/16" X 1"               |         |
|     | 14H785   | NUT       | 2   | 5/16"                    |         |
| 2   | AH77692  | LADDER    | 1   |                          |         |
| 3   | 24H1136  | WASHER    | 2   | 11/32" X 11/16" X 0.065" |         |

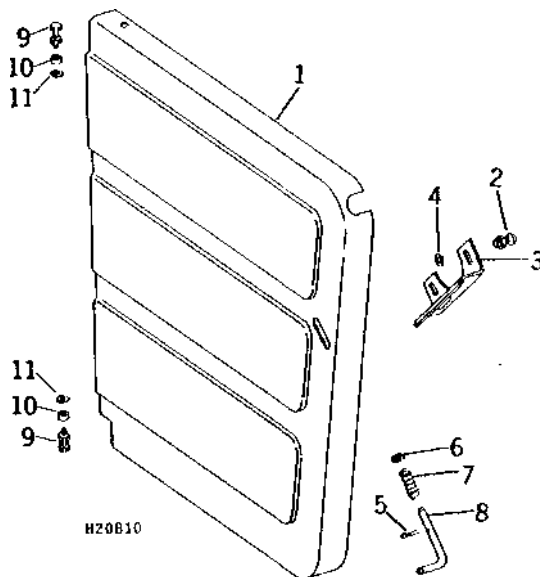


# 2C20

SEPARATOR SHELL

H20810 -UN-01JAN94

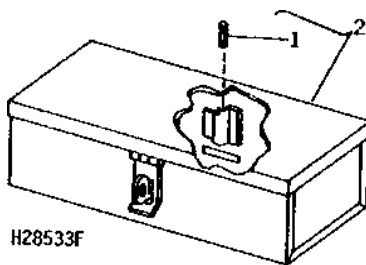
## SEPARATOR RIGHT-HAND SHIELD



| KEY | PART NO. | PART NAME  | QTY | SERIAL NO.               | REMARKS |
|-----|----------|------------|-----|--------------------------|---------|
| 1   | AH76985  | SHIELD     | 1   |                          |         |
| 2   | 03H1524  | BOLT       | 2   | 5/16" X 1"               |         |
|     | 14H785   | NUT        | 2   | 5/16"                    |         |
| 3   | H80067   | LATCH      | 1   |                          |         |
| 4   | 24H1122  | WASHER     | 2   | 3/8" X 7/8" X 0.083"     |         |
| 5   | 11H211   | COTTER PIN | 1   | 1/8" X 3/4"              |         |
| 6   | 24H1305  | WASHER     | 1   | 13/32" X 13/16" X 0.065" |         |
| 7   | HZ5621H  | SPRING     | 1   |                          |         |
| 8   | H78557   | PIN        | 1   |                          |         |
| 9   | 19H1731  | CAP SCREW  | 2   | 3/8" X 1"                |         |
|     | 14H812   | NUT        | 2   | 3/8"                     |         |
| 10  | 28H1517  | WASHER     | 2   | 0.493" X 0.675" X 1/4"   |         |
| 11  | 24H1305  | WASHER     | 2   | 13/32" X 13/16" X 0.065" |         |

## TOOL BOX

H28533F -UN-01JAN94



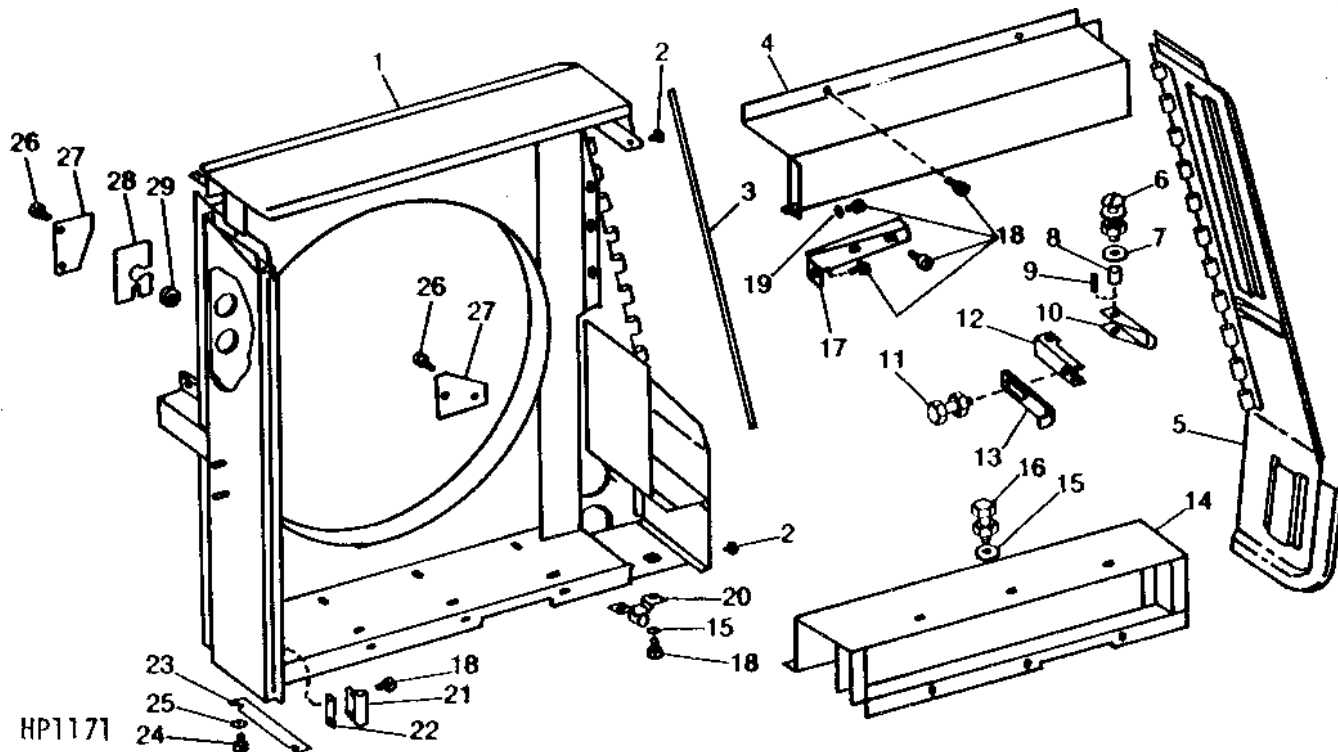
| KEY | PART NO. | PART NAME  | QTY | SERIAL NO.     | REMARKS |
|-----|----------|------------|-----|----------------|---------|
| 1   | 34H94    | SPRING PIN | 1   | 7/32" X 1-3/4" |         |
| 2   | AH84966  | TOOLBOX    | 1   |                |         |

# 2C21

SEPARATOR SHELL

HP1171 -UN-01JAN94

## CORNER FRAME, RADIATOR CLOSURES, AND DOOR



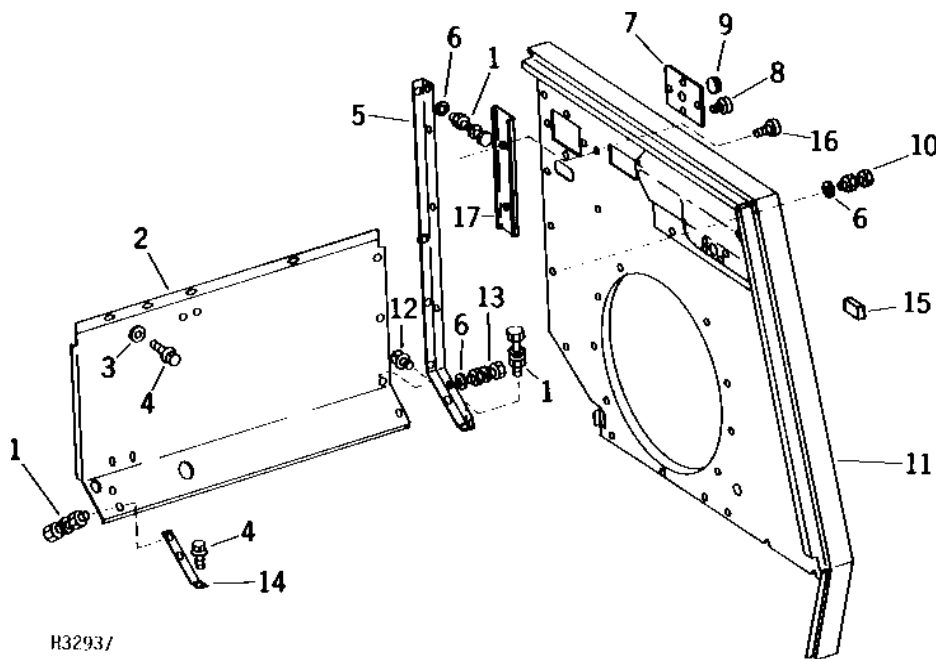
| KEY | PART NO. | PART NAME          | QTY | SERIAL NO. | REMARKS                           |
|-----|----------|--------------------|-----|------------|-----------------------------------|
| 1   | AH92224  | FRAME              | 1   |            |                                   |
| 2   | H81804   | BUMPER             | 2   |            |                                   |
| 3   | H86509   | PIN                | 1   |            |                                   |
| 4   | AH92222  | COVER              | 1   |            | UPPER                             |
| 5   | AH90894  | PANEL              | 1   |            |                                   |
| 6   | 21H1045  | SCREW              | 1   |            | 1/4" X 2"                         |
|     | 12H302   | LOCK WASHER        | 1   |            | 1/4"                              |
|     | 14H786   | NUT                | 1   |            | 1/4"                              |
| 7   | 24H1287  | WASHER             | 1   |            | 9/32" X 5/8" X 0.065"             |
| 8   | 28H1955  | BUSHING            | 1   |            | 1/8" X 1-15/32"                   |
| 9   | 34H270   | SPRING PIN         | 1   |            | 5/32" X 1-1/2"                    |
| 10  | H86493   | HANDLE             | 1   |            |                                   |
| 11  | 03H1416  | BOLT               | 1   |            | 5/16" X 3/4"                      |
|     | N10213   | LOCK NUT           | 1   |            |                                   |
| 12  | H89313   | BRACKET            | 1   |            |                                   |
| 13  | H89312   | HOOK               | 1   |            |                                   |
| 14  | AH87730  | SUPPORT            | 1   |            | BOTTOM (WITHOUT AIR CONDITIONING) |
| 15  | 24H1136  | WASHER             | 5   |            | 11/32" X 11/16" X 0.065"          |
| 16  | 19H1813  | CAP SCREW          | 3   |            | 5/16" X 5/8"                      |
|     | N10213   | LOCK NUT           | 3   |            |                                   |
| 17  | H86689   | BRACKET            | 1   |            |                                   |
| 18  | N71292   | SELF-LOCKING SCREW | 12  |            |                                   |
| 19  | 24H1224  | WASHER             | 1   |            | 11/32" X 1" X 1/16"               |
| 20  | H99937   | BRACKET            | 1   |            |                                   |
| 21  | H94605   | HINGE              | 2   |            |                                   |
| 22  | H86523   | STRAP              | 2   |            |                                   |
| 23  | H86688   | STRAP              | AR  |            |                                   |
| 24  | N10214   | SELF-LOCKING SCREW | 2   |            |                                   |
| 25  | 24H1305  | WASHER             | 2   |            | 13/32" X 13/16" X 0.065"          |
| 26  | 37H3     | SCREW              | 2   |            | 1/4" X 5/8"                       |
| 27  | H87661   | COVER              | 2   |            |                                   |
| 28  | H88190   | COVER              | 1   |            | (WITH AIR CONDITIONING)           |
| 29  | H80306   | GROMMET            | 1   |            | (WITH AIR CONDITIONING)           |

# 2C22

SEPARATOR SHELL

H32937 -UN-01JAN94

## ENGINE COMPARTMENT REAR SHEET AND INSTRUMENT WALL



H32937

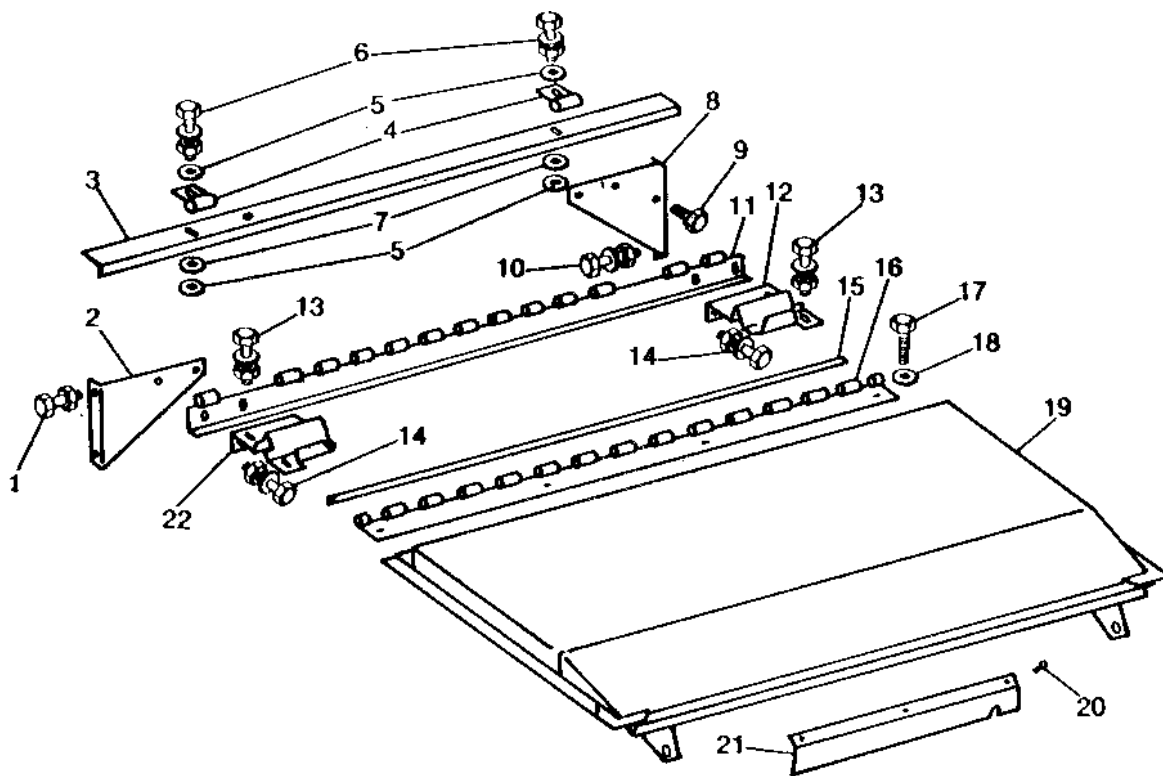
| KEY | PART NO. | PART NAME   | QTY | SERIAL NO.                                 | REMARKS                    |
|-----|----------|-------------|-----|--|----------------------------|
| 1   | 19H1905  | CAP SCREW   | 5   | 5/16" X 1"                                 |                            |
|     | 12H303   | LOCK WASHER | 5   | 5/16"                                      |                            |
|     | 14H785   | NUT         | 5   | 5/16"                                      |                            |
| 2   | AH89058  | SHEET       | 1   | REAR                                       |                            |
| 3   | 24H1224  | WASHER      | 4   | 11/32" X 1" X 1/16"                        |                            |
| 4   | H76139   | SCREW       | 5   | SELF-TAPPING                               |                            |
| 5   | H84581   | ANGLE       | 1   |  |                            |
| 6   | 24H1136  | WASHER      | 5   | 11/32" X 11/16" X 0.065"                   | (WITHOUT AIR CONDITIONING) |
| 7   | H86115   | COVER       | 1   |  |                            |
| 8   | 37H120   | SCREW       | 4   | 0.164" X 1/2",                             | (WITHOUT AIR CONDITIONING) |
| 9   | H83060   | GROMMET     | 1   |  | (WITHOUT AIR CONDITIONING) |
| 10  | 19H2127  | CAP SCREW   | 1   | 5/16" X 7/8"                               |                            |
|     | 12H303   | LOCK WASHER | 1   | 5/16"                                      |                            |
|     | 14H785   | NUT         | 1   | 5/16"                                      |                            |
| 11  | AH97875  | PANEL       | 1   |  |                            |
| 12  | H65108   | SCREW       | 4   | SELF-TAPPING                               |                            |
| 13  | 19H1813  | CAP SCREW   | 2   | 5/16" X 5/8"                               |                            |
|     | 12H303   | LOCK WASHER | 2   | 5/16"                                      |                            |
|     | 14H785   | NUT         | 2   | 5/16"                                      |                            |
| 14  | H86339   | STRAP       | 1   |  |                            |
| 15  | .....    | SEAL        | 1   | 19 MM X 35 MM X 76 MM (3/4" X 1-3/4" X 3") | LONG (CUT FROM H92017)     |
| 16  | H76139   | SCREW       | 1   | SELF-TAPPING                               |                            |
| 17  | H99527   | RETAINER    | 1   |  |                            |

# 2C23

SEPARATOR SHELL

HP1172 -UN-01JAN94

## ENGINE COMPARTMENT UPPER DOOR



HP1172

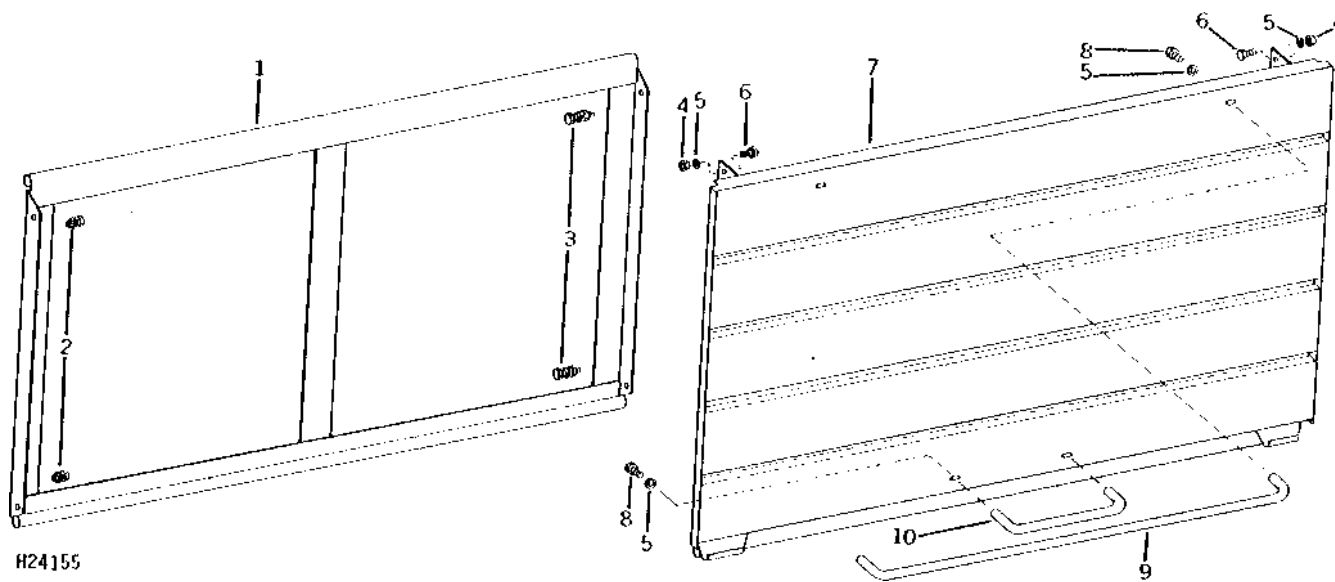
| KEY | PART NO. | PART NAME     | QTY | SERIAL NO. | REMARKS                   |
|-----|----------|---------------|-----|------------|---------------------------|
| 1   | H77932   | SCREW         | 2   |            | SELF-LOCKING              |
| 2   | H86326   | GUSSET        | 1   |            |                           |
| 3   | H86328   | SEAL          | 1   |            |                           |
| 4   | H86847   | CLIP          | 2   |            |                           |
| 5   | 24H1305  | WASHER        | 4   |            | 13/32" X 13/16" X 0.065"  |
| 6   | 19H1732  | CAP SCREW     | 2   |            | 3/8" X 1-1/4"             |
|     | 12H304   | LOCK WASHER   | 2   |            | 3/8"                      |
|     | 14H812   | NUT           | 2   |            | 3/8"                      |
| 7   | 24H1309  | WASHER        | 2   |            | 13/32" X 1-1/16" X 0.120" |
| 8   | H99936   | GUSSET        | 1   |            |                           |
| 9   | H76139   | SCREW         | 1   |            | SELF-TAPPING              |
| 10  | 19H1900  | CAP SCREW     | 2   |            | 5/16" X 3/4"              |
|     | 12H303   | LOCK WASHER   | 2   |            | 5/16"                     |
|     | 14H785   | NUT           | 2   |            | 5/16"                     |
| 11  | H86321   | HINGE         | 1   |            |                           |
| 12  | H87453   | STOP          | 1   |            | L.H. DOOR                 |
| 13  | 19H1905  | CAP SCREW     | 4   |            | 5/16" X 1"                |
|     | 12H303   | LOCK WASHER   | 4   |            | 5/16"                     |
|     | 14H785   | NUT           | 4   |            | 5/16"                     |
| 14  | 19H1936  | CAP SCREW     | 4   |            | 3/8" X 3/4"               |
|     | 12H304   | LOCK WASHER   | 4   |            | 3/8"                      |
|     | 14H812   | NUT           | 4   |            | 3/8"                      |
| 15  | H86316   | PIN           | 1   |            |                           |
| 16  | AH87584  | HINGE         | 1   |            |                           |
| 17  | 19H1813  | CAP SCREW     | 4   |            | 5/16" X 5/8"              |
| 18  | 24H1136  | WASHER        | 4   |            | 11/32" X 11/16" X 0.065"  |
| 19  | AH87586  | DOOR          | 1   |            |                           |
| 20  | H64584   | RIVET         | 4   |            | (WITHOUT OPERATOR'S CAB)  |
| 21  | H86819   | REINFORCEMENT | 1   |            | (WITHOUT OPERATOR'S CAB)  |
| 22  | H87454   | STOP          | 1   |            | R.H. DOOR                 |

# 2C24

SEPARATOR SHELL

H24155 -UN-01JAN94

## ENGINE COMPARTMENT MIDDLE DOOR AND FRAME



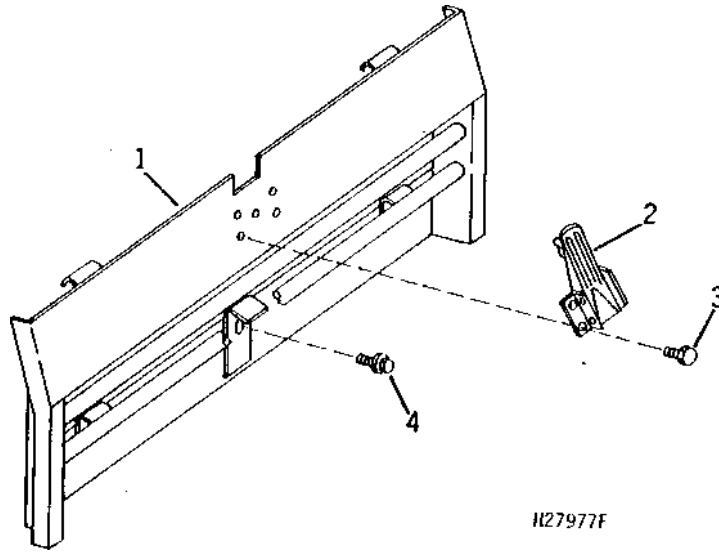
| KEY | PART NO. | PART NAME   | QTY | SERIAL NO. | REMARKS                  |
|-----|----------|-------------|-----|------------|--------------------------|
| 1   | AH87574  | FRAME       | 1   |            |                          |
| 2   | H65108   | SCREW       | 2   |            |                          |
| 3   | 19H1900  | CAP SCREW   | 2   |            | 5/16" X 3/4"             |
|     | 12H303   | LOCK WASHER | 2   |            | 5/16"                    |
|     | 14H785   | NUT         | 2   |            | 5/16"                    |
| 4   | BP12232  | LOCK NUT    | 2   | -550000    | (SUB M40699)             |
|     | M40699   | NUT         | 2   |            |                          |
| 5   | 24H1136  | WASHER      | 6   |            | 11/32" X 11/16" X 0.065" |
| 6   | 19H2127  | CAP SCREW   | 2   |            | 5/16" X 7/8"             |
| 7   | AH93351  | DOOR        | 1   |            |                          |
| 8   | 19H1849  | CAP SCREW   | 4   |            | 5/16" X 1-1/4"           |
|     | 12H303   | LOCK WASHER | 4   |            | 5/16"                    |
| 9   | H86347   | HANDRAIL    | 1   |            |                          |
| 10  | H86349   | HANDRAIL    | 1   |            |                          |

# 2C25

SEPARATOR SHELL

H27977F -UN-01JAN94

## FRONT ENGINE COMPARTMENT PANEL



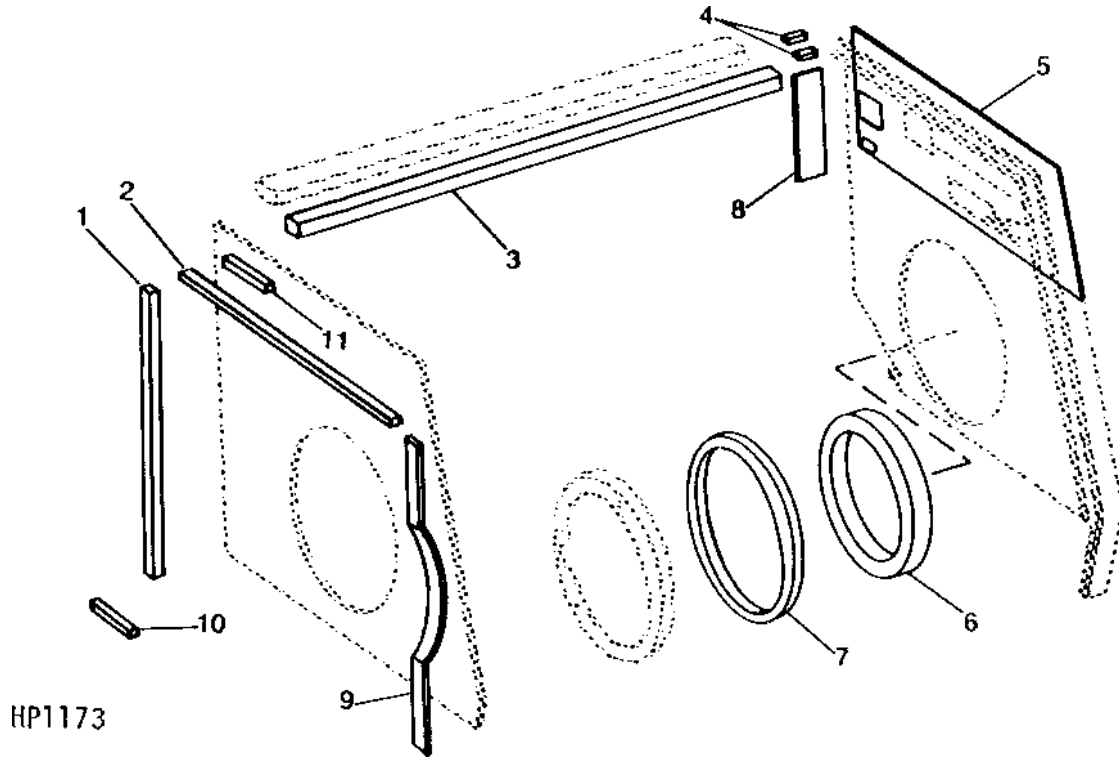
| KEY | PART NO. | PART NAME | QTY | SERIAL NO. | REMARKS      |
|-----|----------|-----------|-----|------------|--------------|
| 1   | AH91707  | PANEL     | 1   |            |              |
| 2   | AH87272  | LATCH     | 1   |            |              |
| 3   | H85092   | SCREW     | 4   |            | SELF-TAPPING |
| 4   | H65108   | SCREW     | 3   |            | SELF-TAPPING |

# 2D1

SEPARATOR SHELL

HP1173 -UN-01JAN94

## ENGINE COMPARTMENT SEALS



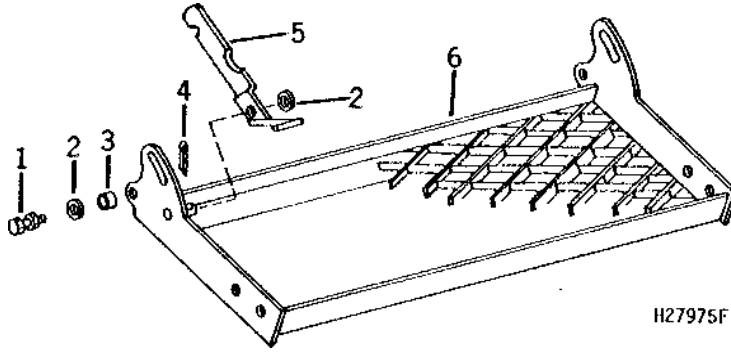
| KEY | PART NO. | PART NAME | QTY | SERIAL NO. | REMARKS  |
|-----|----------|-----------|-----|------------|--|
| 1   | .....    | SEAL      | 1   |            | 19 MM X 19 MM X 610 MM (3/4" X 3/4" X 24")<br>PRESSURE SENSITIVE (BETWEEN RADIATOR AND<br>CORNER FRAME AT REAR) (CUT FROM H88769)  |
| 2   | .....    | SEAL      | 1   |            | 10 MM X 25 MM X 711 MM (3/8" X 1" X 28")<br>PRESSURE SENSITIVE (BETWEEN RADIATOR AND<br>CORNER FRAME AT TOP) (CUT FROM H88773)   |
| 3   | .....    | SEAL      | 1   |            | 25 MM X 25 MM X 1114 MM (1" X 1" X 4-7/8")<br>(BETWEEN TOP DOOR HINGE SEAL AND GRAIN<br>TANK) (CUT FROM H81326)  |
| 4   | .....    | SEAL      | 2   |            | 27 MM X 27 MM X 76 MM (1-1/16" X 1-1/16" X<br>3") (UNDER GRAIN TANK CHANNEL NEXT TO<br>INSTRUMENT WALL AND BETWEEN L.H. GUSSET AND<br>INSTRUMENT WALL) (CUT FROM H88770) |
| 5   | H86990   | SEAL      | 1   |            | PRESSURE SENSITIVE (ON ENGINE SIDE OF<br>INSTRUMENT WALL AT TOP)   |
| 6   | AH85910  | ISOLATOR  | 1   |            | (BETWEEN INSTRUMENT WALL AND BELL HOUSING)   |
| 7   | H81350   | SEAL      | 1   |            | (BETWEEN INSTRUMENT WALL AND ENGINE SEAL<br>PLATE)   |
| 8   | .....    | SEAL      | 1   |            | 3 MM X 32 MM X 457 MM (1/8" X 1-1/4" X 18")<br>(BETWEEN REAR SHEET AND CORNER<br>REINFORCEMENT ANGLE AT TOP) (CUT FROM<br>H88771)  |
| 9   | .....    | SEAL      | 1   |            | 19 MM X 19 MM X 737 MM (3/4" X 3/4" X 29")<br>PRESSURE SENSITIVE (BETWEEN RADIATOR AND<br>CORNER FRAME AT FRONT) (CUT FROM H88769)                                       |
| 10  | .....    | SEAL      | 1   |            | 19 MM X 19 MM X 76 MM (3/4" X 3/4" X 3")<br>PRESSURE SENSITIVE (BETWEEN ROTARY SCREEN<br>DOOR STOP BRACKET AND CORNER FRAME) (CUT<br>FROM H88769)                        |
| 11  | .....    | SEAL      | 1   |            | 19 MM X 19 MM X 203 MM (3/4" X 3/4" X 8")<br>PRESSURE SENSITIVE (BETWEEN RADIATOR AND<br>CORNER FRAME AT LEFT FRONT) (CUT FROM<br>H88769)                                |

# 2D2

SEPARATOR SHELL

H27975F -UN-01JAN94

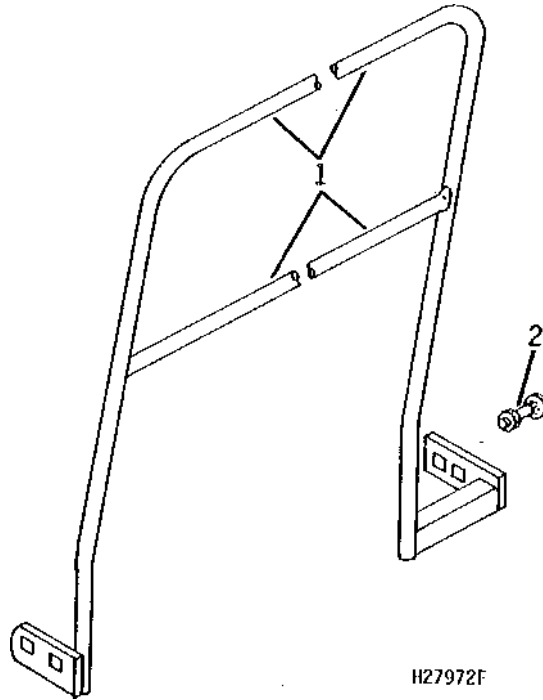
## ENGINE COMPARTMENT WALKWAY



| KEY | PART NO. | PART NAME  | QTY | SERIAL NO. | REMARKS                   |
|-----|----------|------------|-----|------------|---------------------------|
| 1   | 19H1815  | CAP SCREW  | 4   |            |                           |
|     | E54809   | LOCK NUT   | 4   |            | 1/2" X 1-1/4"             |
| 2   | 24H1111  | WASHER     | 5   |            | 17/32" X 1-1/16" X 0.090" |
| 3   | 28H935   | SPACER     | 4   |            | 1/2" X 7/16"              |
| 4   | 11H206   | COTTER PIN | 1   |            | 3/32" X 3/4"              |
| 5   | AH90998  | LATCH      | 1   |            |                           |
| 6   | AH93235  | STEP       | 1   |            |                           |

H27972F -UN-01JAN94

## SAFETY RAILING



| KEY | PART NO. | PART NAME | QTY | SERIAL NO. | REMARKS   |
|-----|----------|-----------|-----|------------|-----------|
| 1   | AH92686  | HANDRAIL  | 1   |            |           |
| 2   | 03H1500  | BOLT      | 4   |            | 3/8" X 1" |
|     | N10215   | LOCK NUT  | 4   |            |           |

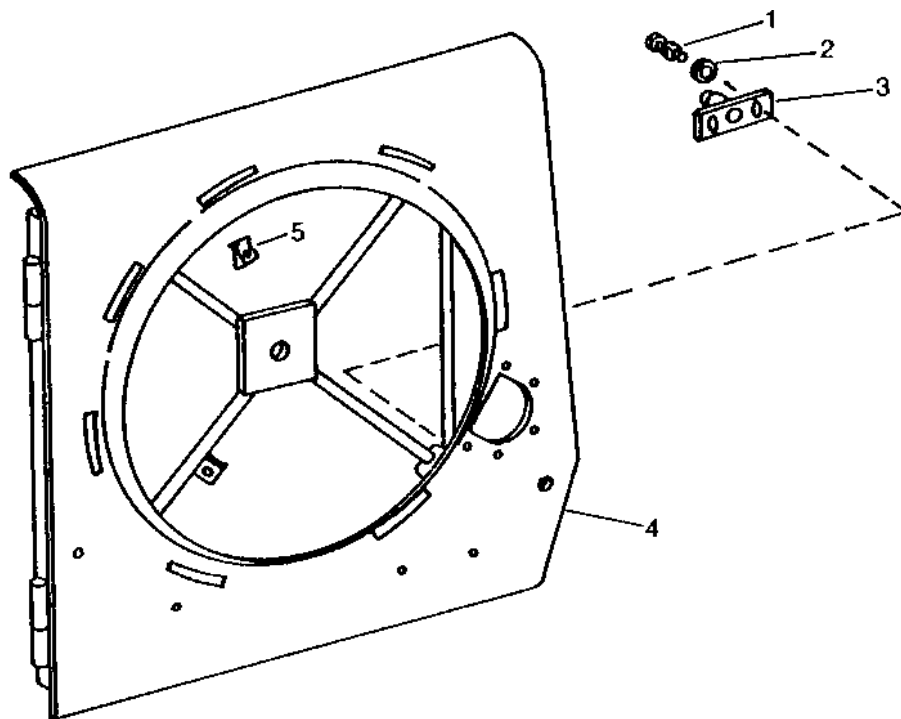


# 2D3

SEPARATOR SHELL

HP559 -UN-01JAN94

## ROTARY SCREEN DOOR AND SAFETY ROD



HP559

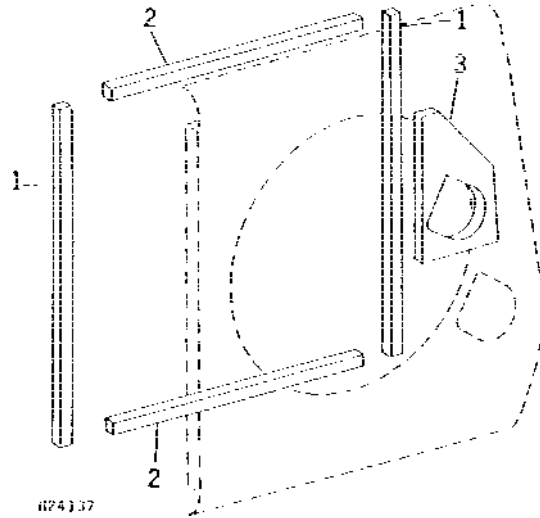
| KEY | PART NO. | PART NAME   | QTY | SERIAL NO. | REMARKS                  |
|-----|----------|-------------|-----|------------|--------------------------|
| 1   | 19H1900  | CAP SCREW   | 2   |            | 5/16" X 3/4"             |
|     | 12H303   | LOCK WASHER | 2   |            | 5/16"                    |
| 2   | 24H1136  | WASHER      | 2   |            | 11/32" X 11/16" X 0.065" |
| 3   | AH87612  | SUPPORT     | 1   | -600000    | (SUB AH113908)           |
|     | AH113908 | SUPPORT     | 1   |            |                          |
| 4   | AH93926  | DOOR        | 1   |            |                          |
| 5   | R53677   | LOCK NUT    | 7   |            |                          |

# 2D4

SEPARATOR SHELL

H24137 -UN-01JAN94

## ROTARY SCREEN DOOR SEALS



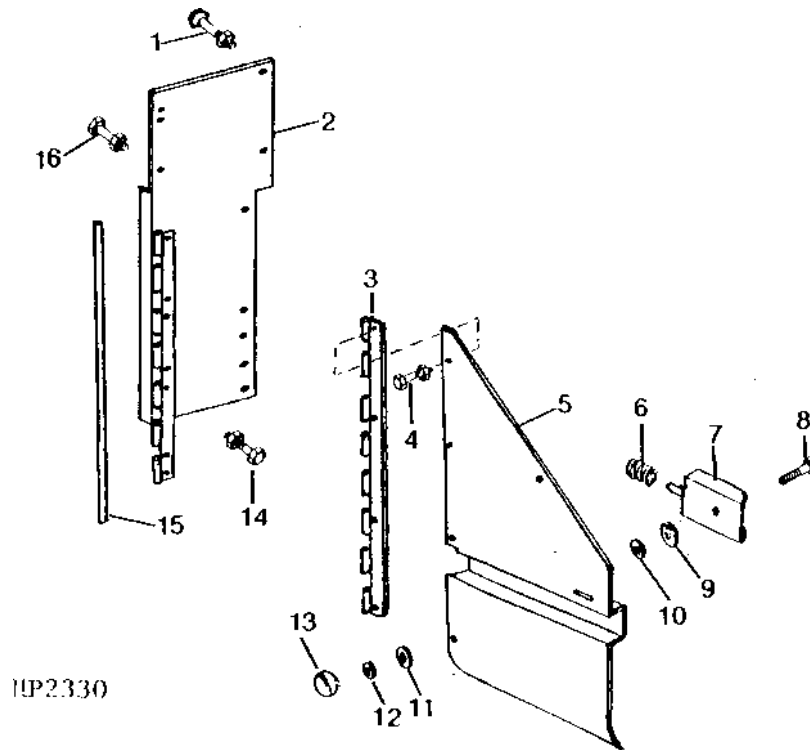
| KEY                                     | PART NO. | PART NAME | QTY | SERIAL NO. | REMARKS  |
|---|----------|-----------|-----|------------|--|
| 1                                       | .....    | SEAL      | 2   |            | 27 MM X 27 MM X 867 MM (1-1/16" X 1-1/16" X 34") (CUT FROM H88842)     |
| 2                                       | .....    | SEAL      | 2   |            | 27 MM X 27 MM X 724 MM (1-1/16" X 1-1/16" X 28-1/2") (CUT FROM H88842) |
| 3                                       | H93421   | SEAL      | 1   |            |  |
| PARTS LISTED BELOW ARE NOT ILLUSTRATED: |          |           |     |            |  |
| ..                                      | H88842   | SEAL      | 1   |            |  |
| ..                                      | AR31790  | ADHESIVE  | 1   |            |  |

# 2D5

SEPARATOR SHELL

HP2330 -UN-01JAN94

## OIL RESERVOIR ACCESS DOOR



| KEY | PART NO. | PART NAME | QTY | SERIAL NO.              | REMARKS |
|-----|----------|-----------|-----|-------------------------|---------|
| 1   | 21H1030  | SCREW     | 3   | 3/8" X 3/4"             |         |
| 2   | AH76595  | SUPPORT   | 1   |                         |         |
| 3   | H77420   | HINGE     | 1   |                         |         |
| 4   | 19H1813  | CAP SCREW | 4   | 5/16" X 5/8"            |         |
|     | 14H785   | NUT       | 4   | 5/16"                   |         |
| 5   | AH76211  | DOOR      | 1   |                         |         |
| 6   | F1463R   | SPRING    | 1   |                         |         |
| 7   | AH78173  | LATCH     | 1   |                         |         |
| 8   | 19H2529  | CAP SCREW | 1   | 5/16" X 1"              |         |
| 9   | 24H1211  | WASHER    | 1   | 9/16" X 1-3/8" X 0.105" |         |
| 10  | 28H1861  | WASHER    | 1   | 0.364" X 0.540" X 7/32" |         |
| 11  | 24H1224  | WASHER    | 1   | 11/32" X 1" X 1/16"     |         |
| 12  | 14H882   | NUT       | 1   | 5/16"                   |         |
| 13  | H29296   | KNOB      | 1   |                         |         |
| 14  | 19H1731  | CAP SCREW | 5   | 3/8" X 1"               |         |
|     | 14H812   | NUT       | 5   | 3/8"                    |         |
| 15  | H75293   | DOWEL PIN | 1   |                         |         |
| 16  | 19H1936  | CAP SCREW | 1   | 3/8" X 3/4"             |         |
|     | 14H812   | NUT       | 1   | 3/8"                    |         |

---

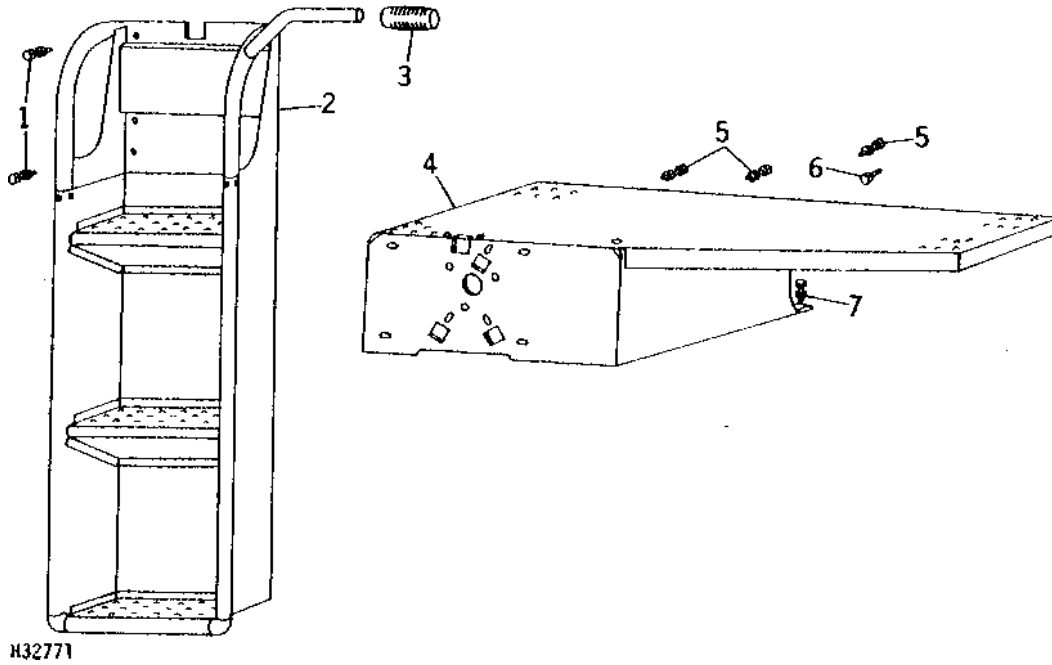
MEMORANDA

# 2D8

OPERATOR'S STATION

H32771 -UN-01JAN94

## OPERATOR'S PLATFORM LADDER AND LANDING



| KEY | PART NO. | PART NAME | QTY | SERIAL NO. | REMARKS                            |
|-----|----------|-----------|-----|------------|------------------------------------|
| 1   | 03H1707  | BOLT      | 4   |            | 3/8" X 1", (USE WITH FIXED LADDER) |
|     | 14H812   | NUT       | 4   |            | 3/8"                               |
| 2   | AH90298  | LADDER    | 1   | -450000    | (SUB AH108066)                     |
|     | AH108066 | LADDER    | 1   |            |                                    |
| 3   | C3203E   | GRIP      | 1   |            |                                    |
| 4   | AH101641 | STEP      | 1   | -550000    |                                    |
|     | AH114447 | STEP      | 1   | 550001-    |                                    |
| 5   | 19H1732  | CAP SCREW | 3   |            | 3/8" X 1-1/4"                      |
|     | 14H812   | NUT       | 3   |            | 3/8"                               |
| 6   | H65108   | SCREW     | 2   |            | SELF-TAPPING                       |
| 7   | 19H2284  | CAP SCREW | 4   |            | 3/8" X 7/8"                        |
|     | 14H812   | NUT       | 4   |            | 3/8"                               |

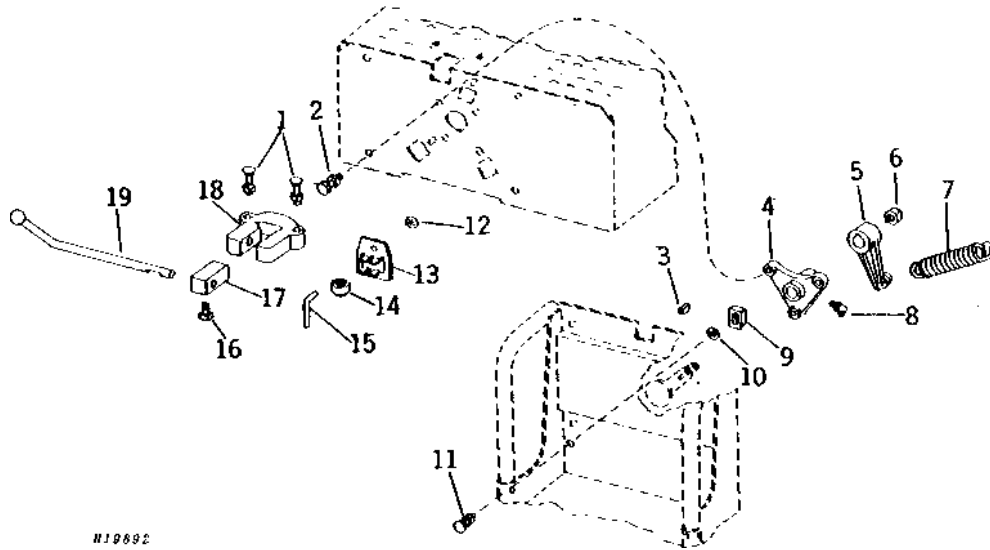
MEMORANDA

# 2D9

OPERATOR'S STATION

H19892 -UN-01JAN94

## PIVOTING LADDER CONTROLS



H19892

| KEY | PART NO. | PART NAME           | QTY | SERIAL NO.             | REMARKS |
|-----|----------|---------------------|-----|------------------------|---------|
| 1   | 03H1560  | BOLT                | 2   | 3/8" X 1-3/4"          |         |
|     | 14H812   | NUT                 | 2   | 3/8"                   |         |
| 2   | 19H1732  | CAP SCREW           | 3   | 3/8" X 1-1/4"          |         |
|     | 14H812   | NUT                 | 3   | 3/8"                   |         |
| 3   | 26H22    | SHAFT KEY           | 1   | 1/4" X 1"              |         |
| 4   | H82069   | SUPPORT             | 1   |                        |         |
| 5   | H81253   | ARM                 | 1   |                        |         |
| 6   | H34753   | LOCK NUT            | 1   |                        |         |
| 7   | S2827M   | EXTENSION SPRING    | 1   |                        |         |
| 8   | JD7788   | LUBRICATION FITTING | 1   | 45°, 1/4"              |         |
| 9   | H81342   | STOP                | 1   |                        |         |
| 10  | 24H1237  | WASHER              | 1   | 25/64" X 7/8" X 0.060" |         |
| 11  | 03H1558  | BOLT                | 1   | 3/8" X 1-1/2"          |         |
|     | 14H812   | NUT                 | 1   | 3/8"                   |         |
| 12  | H81721   | NUT                 | 3   |                        |         |
| 13  | H81247   | RETAINER            | 3   |                        |         |
| 14  | H79962   | ROLLER              | 3   |                        |         |
| 15  | H81720   | SPRING PIN          | 3   |                        |         |
| 16  | 22H844   | SET SCREW           | 1   | 3/8" X 1/2"            |         |
| 17  | H81246   | LOCK                | 1   |                        |         |
| 18  | H81252   | BEARING             | 1   |                        |         |
| 19  | H81250   | LEVER               | 1   |                        |         |

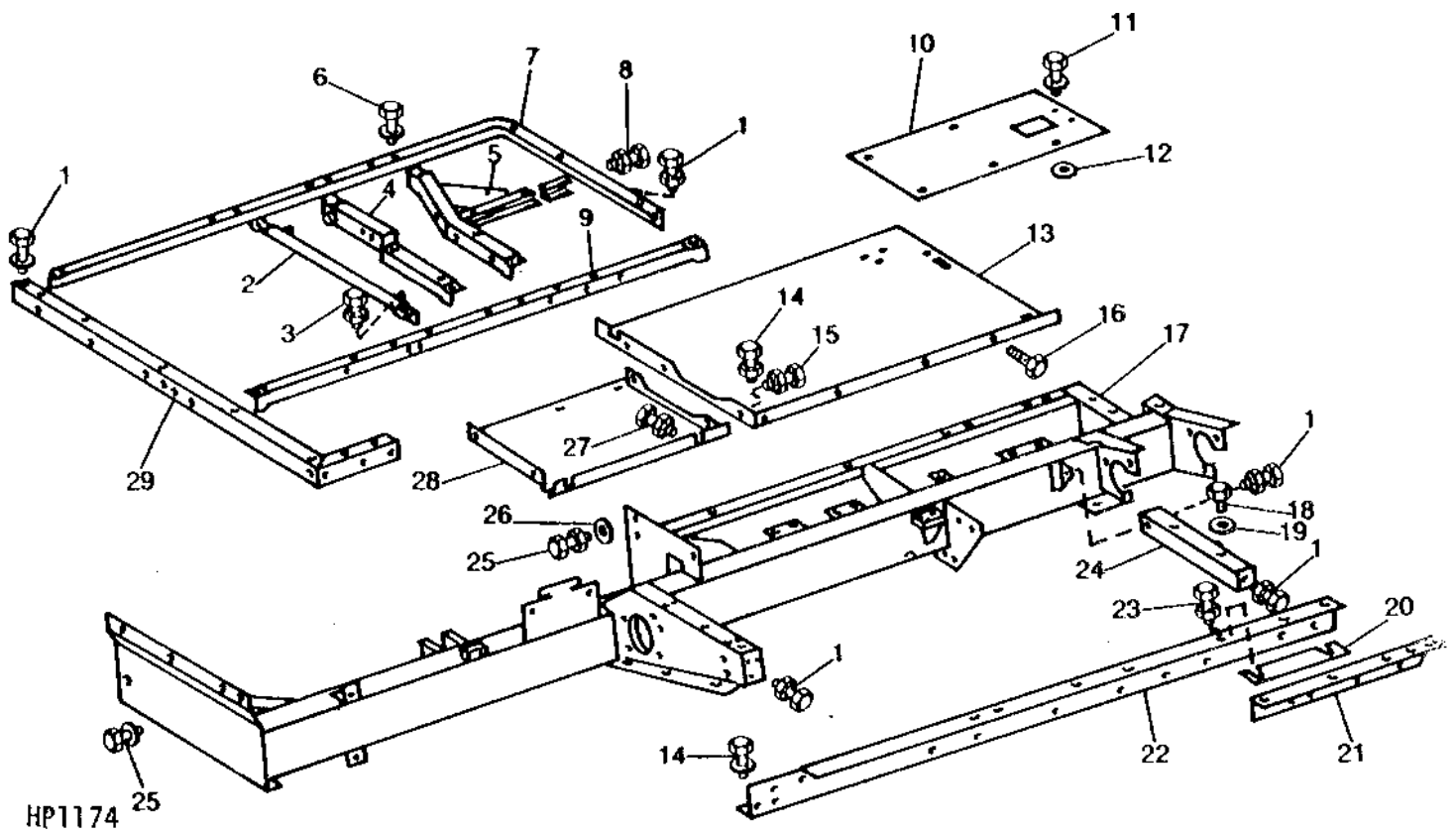
# 2D10

OPERATOR'S STATION

## ENGINE AND OPERATOR'S PLATFORM ANGLES AND SUPPORTS

HP1174

-UN-01JAN94





## ENGINE AND OPERATOR'S PLATFORM ANGLES AND SUPPORTS-CONTINUED

| KEY | PART NO. | PART NAME   | QTY | SERIAL NO. | REMARKS                    |
|-----|----------|-------------|-----|------------|----------------------------|
| 1   | 19H1731  | CAP SCREW   | 11  |            | 3/8" X 1"                  |
|     | 12H304   | LOCK WASHER | 11  |            | 3/8"                       |
|     | 14H812   | NUT         | 11  |            | 3/8"                       |
| 2   | AH87796  | ANGLE       | 1   |            |                            |
| 3   | 21H1137  | SCREW       | 1   |            | 5/16" X 1-1/4"             |
|     | 12H303   | LOCK WASHER | 1   |            | 5/16"                      |
|     | 14H785   | NUT         | 1   |            | 5/16"                      |
| 4   | AH87795  | ANGLE       | 1   |            |                            |
| 5   | AH93670  | SUPPORT     | 1   |            |                            |
| 6   | 19H1905  | CAP SCREW   | 7   |            | 5/16" X 1"                 |
|     | 12H303   | LOCK WASHER | 7   |            | 5/16"                      |
|     | 14H785   | NUT         | 7   |            | 5/16"                      |
| 7   | H78809   | ANGLE       | 1   |            |                            |
| 8   | 19H1900  | CAP SCREW   | 2   |            | 5/16" X 3/4"               |
|     | 12H303   | LOCK WASHER | 2   |            | 5/16"                      |
|     | 14H785   | NUT         | 2   |            | 5/16"                      |
| 9   | H78808   | ANGLE       | 1   |            |                            |
| 10  | H95044   | SHEET       | 1   | -401580    | (SUB H103271)              |
|     | H103271  | SHEET       | 1   |            |                            |
| 11  | 21H1069  | SCREW       | 5   |            | 3/8" X 1"                  |
|     | 12H304   | LOCK WASHER | 5   |            | 3/8"                       |
|     | 14H812   | NUT         | 5   |            | 3/8"                       |
| 12  | 24H1378  | WASHER      | 2   |            | 11/16" X 1-15/32" X 0.134" |
| 13  | H86583   | SHEET       | 1   |            |                            |
| 14  | 19H1792  | CAP SCREW   | 2   |            | 1/2" X 1"                  |
|     | 12H301   | LOCK WASHER | 2   |            | 1/2"                       |
|     | 14H1040  | NUT         | 2   |            | 1/2"                       |
| 15  | 19H1813  | CAP SCREW   | 4   |            | 5/16" X 5/8"               |
|     | 12H303   | LOCK WASHER | 4   |            | 5/16"                      |
|     | 14H785   | NUT         | 4   |            | 5/16"                      |
| 16  | H65108   | SCREW       | 3   |            |                            |
|     | H76139   | SCREW       | 2   |            |                            |
| 17  | AH102739 | SUPPORT     | 1   | -401580    | (SUB AH105315)             |
|     | AH105315 | SUPPORT     | 1   | -500000    | (SUB AH109597)             |
|     | AH109597 | SUPPORT     | 1   |            |                            |
| 18  | 19H1732  | CAP SCREW   | 3   |            | 3/8" X 1-1/4"              |
|     | 12H304   | LOCK WASHER | 3   |            | 3/8"                       |
| 19  | 24H1305  | WASHER      | 3   |            | 13/32" X 13/16" X 0.065"   |
| 20  | H85345   | STRAP       | 3   |            |                            |
| 21  | H86687   | ANGLE       | 1   |            |                            |
| 22  | H91710   | RAIL        | 1   | -401580    | (SUB H103269)              |
|     | H103269  | RAIL        | 1   |            |                            |
| 23  | 19H1732  | CAP SCREW   | 2   |            | 3/8" X 1-1/4"              |
|     | N10215   | LOCK NUT    | 2   |            |                            |
| 24  | AH83452  | ANGLE       | 1   | -401580    | (SUB AH105062)             |
|     | AH105062 | SUPPORT     | 1   |            |                            |
| 25  | 19H1815  | CAP SCREW   | 3   |            | 1/2" X 1-1/4"              |
|     | 12H301   | LOCK WASHER | 3   |            | 1/2"                       |
|     | 14H1040  | NUT         | 3   |            | 1/2"                       |
| 26  | 24H1788  | WASHER      | 2   |            | 17/32" X 1-1/8" X 0.060"   |
| 27  | 19H1936  | CAP SCREW   | 1   |            | 3/8" X 3/4"                |
|     | 12H304   | LOCK WASHER | 1   |            | 3/8"                       |
|     | 14H812   | NUT         | 1   |            | 3/8"                       |
| 28  | H82617   | SHEET       | 1   |            |                            |
| 29  | H78827   | ANGLE       | 1   |            |                            |

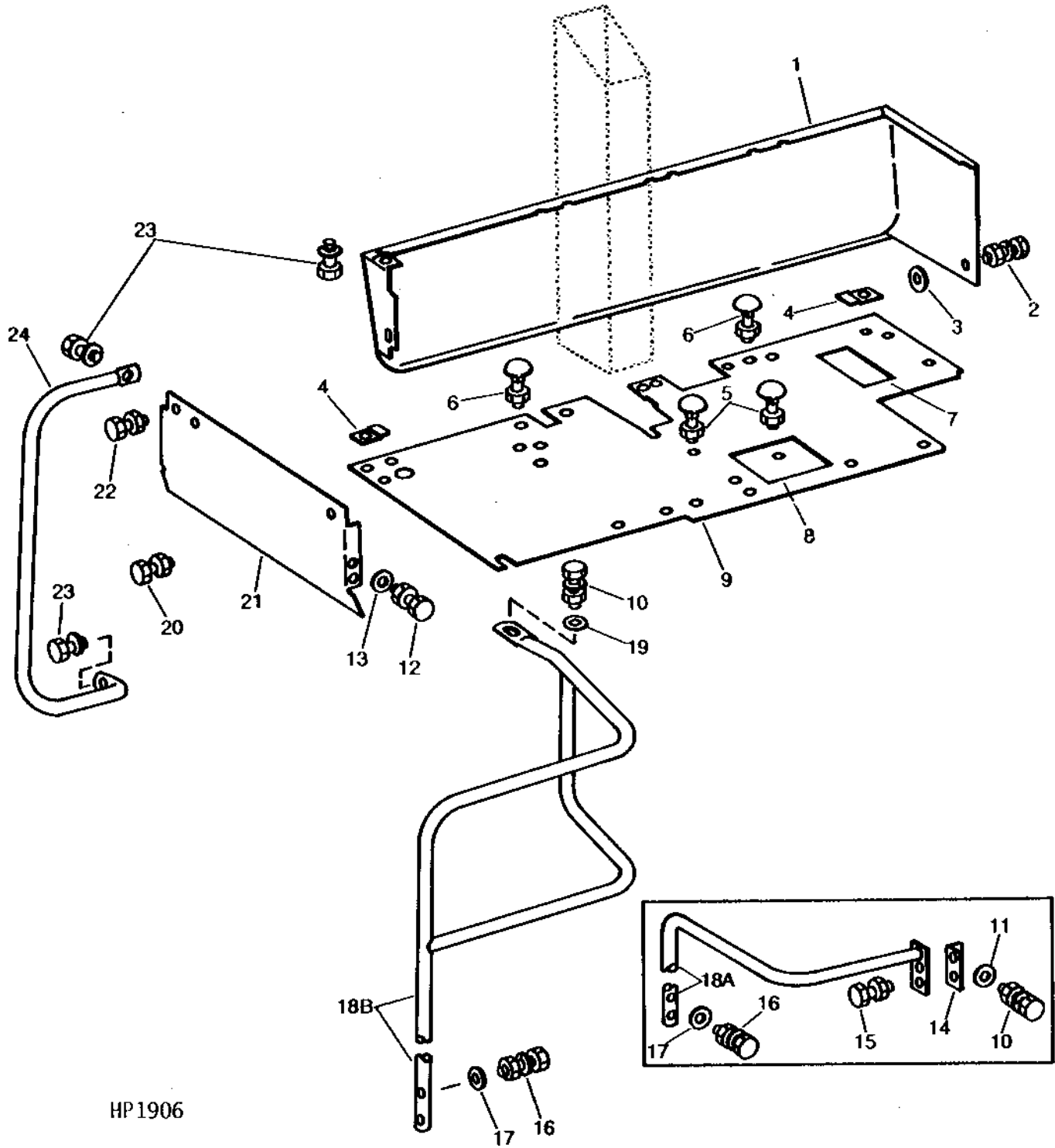
# 2D12

OPERATOR'S STATION

OPERATOR'S PLATFORM SHIELDS, FLOORBOARD, FLOOR MATS, AND HANDRAILS

HP1906

-UN-01JAN94



HP1906

# 2D13

OPERATOR'S STATION

## OPERATOR'S PLATFORM SHIELDS, FLOORBOARD, FLOOR MATS, AND HANDRAILS - CONTINUED

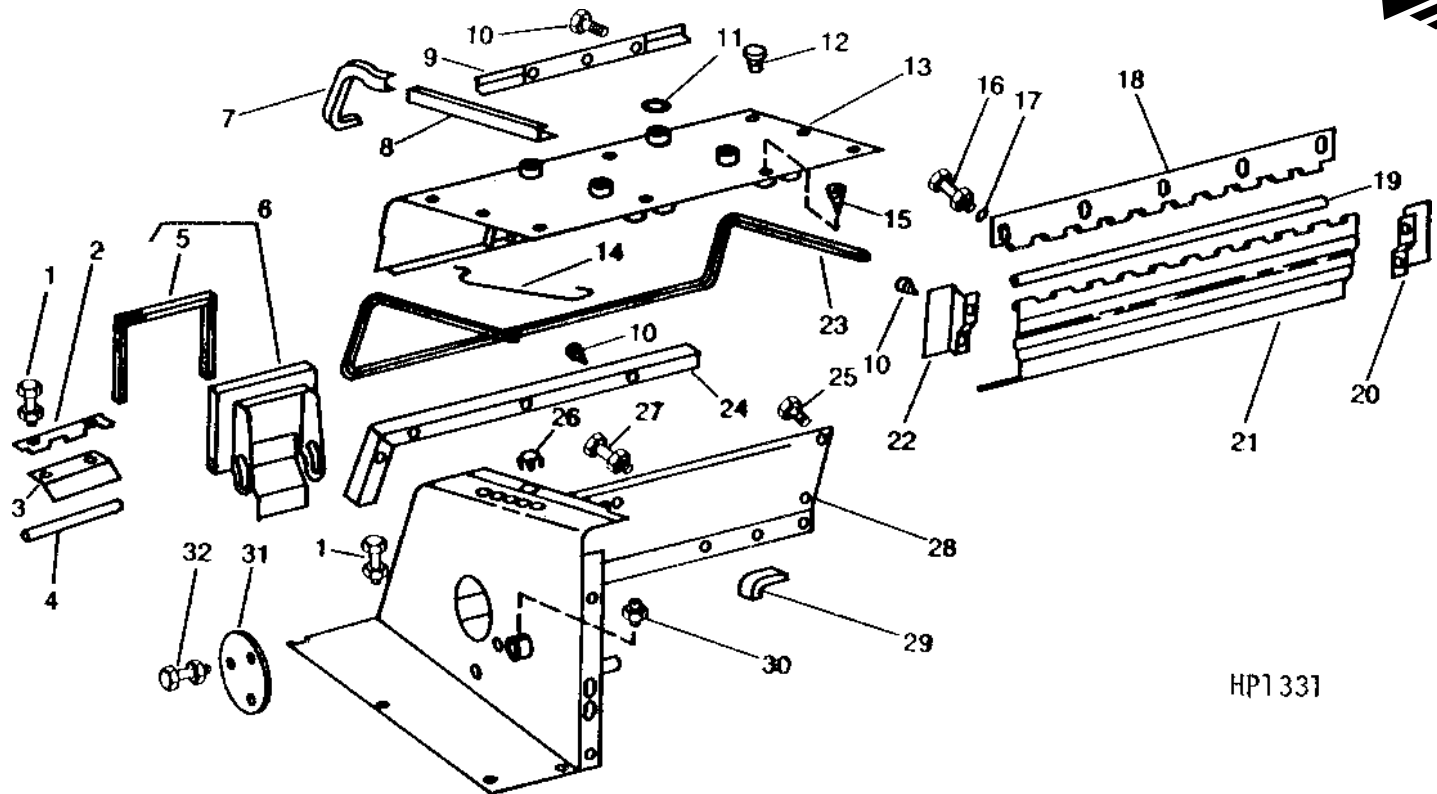
| KEY | PART NO. | PART NAME          | QTY | SERIAL NO. | REMARKS  |
|-----|----------|--------------------|-----|------------|--|
| 1   | AH87713  | SHIELD             | 1   |            | FRONT  |
| 2   | 19H1900  | CAP SCREW          | 1   |            | 5/16" X 3/4"   |
|     | 12H303   | LOCK WASHER        | 1   |            | 5/16"  |
|     | 14H785   | NUT                | 1   |            | 5/16"  |
| 3   | 24H1136  | WASHER             | 1   |            | 11/32" X 11/16" X 0.065"   |
| 4   | H80970   | REINFORCEMENT      | 2   |            |  |
| 5   | 21H1069  | SCREW              | 2   |            | 3/8" X 1"  |
|     | 14H812   | NUT                | 2   |            | 3/8"   |
| 6   | 21H1075  | SCREW              | 4   |            | 5/16" X 1"   |
|     | 14H785   | NUT                | 4   |            | 5/16"  |
| 7   | H82936   | DOOR               | 1   |            |  |
| 8   | H82937   | DOOR               | 1   |            |  |
| 9   | H95212   | FLOOR              | 1   | -500004    | (LESS FLOOR MATS) (SUB H109904)  |
|     | H109904  | BOARD              | 1   |            |  |
|     | AH86445  | MAT                | 1   | -500004    | (WITH OPERATOR'S CAB) (SUB AH108504)   |
|     | AH108504 | MAT                | 1   |            |  |
| 10  | 19H1731  | CAP SCREW          | 4   | -550000    | 3/8" X 1"  |
|     | 12H304   | LOCK WASHER        | 4   | -550000    | 3/8"   |
|     | 14H812   | NUT                | 4   | -550000    | 3/8"   |
|     | 19H1731  | CAP SCREW          | 1   | 550001-    | 3/8" X 1"  |
|     | 12H304   | LOCK WASHER        | 1   | 550001-    | 3/8"   |
|     | 14H812   | NUT                | 1   | 550001-    | 3/8"   |
| 11  | 24H1305  | WASHER             | 4   | -550000    | 13/32" X 13/16" X 0.065"   |
| 12  | 21H1310  | SCREW              | 1   |            | 1/4" X 1/2"  |
|     | 14H786   | NUT                | 1   |            | 1/4"   |
| 13  | 24H1287  | WASHER             | 1   |            | 9/32" X 5/8" X 0.065"  |
|     | 24H1305  | WASHER             | 1   |            | 13/32" X 13/16" X 0.065"   |
| 14  | H83448   | REINFORCEMENT      | 1   | -550000    |  |
| 15  | R53663   | SELF-LOCKING SCREW | 2   | -550000    |  |
|     | 14H812   | NUT                | 2   | -550000    | 3/8"   |
| 16  | 19H1801  | CAP SCREW          | 2   |            | 3/8" X 2"  |
|     | 12H304   | LOCK WASHER        | 2   |            | 3/8"   |
|     | 14H812   | NUT                | 2   |            | 3/8"   |
| 17  | 24H1305  | WASHER             | 2   |            | 13/32" X 13/16" X 0.065"   |
| 18A | AH97870  | HANDRAIL           | 1   | -550000    | L.H., REAR   |
| 18B | AH114060 | HANDRAIL           | 1   | 550001-    | L.H., REAR   |
| 19  | 24H1312  | WASHER             | 1   | 550001-    | 13/32" X 1-3/8" X 0.105"   |
| 20  | 21H1304  | SCREW              | 2   |            | 5/16" X 3/4"   |
|     | 14H785   | NUT                | 2   |            | 5/16"  |
| 21  | H103618  | SHIELD             | 1   |            | L.H., REAR   |
| 22  | 21H1030  | SCREW              | 2   |            | 3/8" X 3/4"  |
|     | 14H812   | NUT                | 2   |            | 3/8"   |
| 23  | R53664   | SELF-LOCKING SCREW | 4   |            |  |
|     | R53668   | THRUST WASHER      | 4   |            |  |
| 24  | AH97858  | HANDRAIL           | 1   |            | (WITH OPERATOR'S CAB)  |
| ..  | .....    | SEAL               | 1   |            | 3 MM X 32 MM X 25 MM (1/8" X 1-1/4" X 1")<br>(AROUND LEFT AND RIGHT CONDENSATE DRAIN<br>TUBES AT FLOORBOARD) (CUT FROM H88771) |

# 2D14

OPERATOR'S STATION

HP1331 -UN-01JAN94

## ENGINE POWERSHAFT CLOSURE



HP1 331

| KEY | PART NO. | PART NAME | QTY | SERIAL NO. | REMARKS  |
|-----|----------|-----------|-----|------------|--|
| 1   | 21H1331  | SCREW     | 5   |            | 5/16" X 1"   |
|     | 14H785   | NUT       | 5   |            | 5/16"  |
| 2   | H75987   | HINGE     | 1   |            | (SUB H113113)  |
|     | H113113  | HINGE     | 1   |            |  |
| 3   | H78289   | DEFLECTOR | 1   |            |  |
| 4   | H75985   | DOWEL PIN | 1   |            |  |
| 5   | AH110867 | ISOLATOR  | 1   | 451641-    | (USE WITH AH110868)  |
| 6   | AH85464  | DOOR      | 1   |            | (WITHOUT OPERATOR'S CAB)   |
|     | AH86444  | DOOR      | 1   | -451640    | (WITH OPERATOR'S CAB)  |
|     | AH110868 | DOOR      | 1   | 451641-    | (WITH OPERATOR'S CAB)  |
| 7   | H85496   | RETAINER  | 1   |            | (R.H.)   |
|     | H85497   | RETAINER  | 1   |            | (L.H.)   |
| 8   | H85492   | CHANNEL   | 1   |            | (R.H.)   |
|     | H85493   | CHANNEL   | 1   |            | (L.H.)   |
|     | H85494   | CHANNEL   | 1   |            | FRONT  |
| 10  | H85233   | RIVET     | 10  |            |  |
| 11  | H85464   | NUT       | 4   |            |  |
| 12  | H85465   | PLUG      | 14  |            | (WITHOUT OPERATOR'S CAB)   |
| 13  | AH97887  | COVER     | 1   |            |  |
| 14  | H84975   | SUPPORT   | 1   |            |  |
| 15  | H76139   | SCREW     | 4   |            |  |
| 16  | 21H1304  | SCREW     | 4   |            | 5/16" X 3/4"   |
|     | 14H785   | NUT       | 4   |            | 5/16"  |
| 17  | 24H1136  | WASHER    | 4   |            | 11/32" X 11/16" X 0.065"   |
| 18  | H84981   | HINGE     | 1   |            | UPPER  |
| 19  | H78134   | DOWEL PIN | 1   |            |  |
| 20  | H85457   | COVER     | 1   |            |  |
| 21  | AH85457  | HINGE     | 1   |            | LOWER  |
| 22  | H85458   | COVER     | 1   |            |  |
| 23  | .....    | SEAL      | 1   |            | 21 MM X 33 MM X 1981 MM (27/32" X 1-5/16" X 78") LONG (CUT FROM AH83289) |

# 2D15

OPERATOR'S STATION

## ENGINE POWERSHAFT CLOSURE - CONTINUED

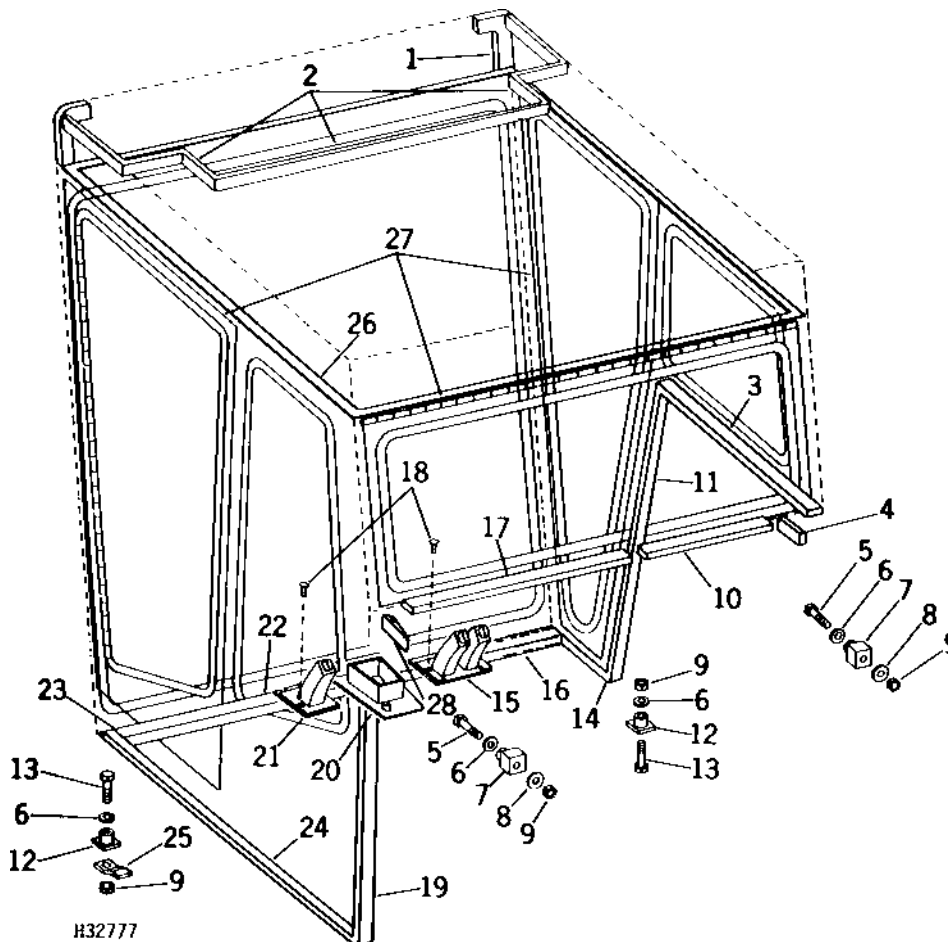
| KEY | PART NO. | PART NAME           | QTY | SERIAL NO. | REMARKS  |
|-----|----------|---------------------|-----|------------|--|
| 24  | H85498   | RETAINER            | 1   |            |  |
| 25  | H65108   | SCREW               | 2   |            | SELF-TAPPING   |
| 26  | M2655T   | PLUG                | 1   |            |  |
| 27  | 19H1905  | CAP SCREW           | 4   |            | 5/16" X 1"   |
|     | 14H785   | NUT                 | 4   |            | 5/16"  |
| 28  | AH97886  | SHROUD              | 1   |            |  |
| 29  | .....    | SEAL                | 1   |            | 27 MM X 27 MM X 127 MM (1-1/16" X 1-1/16" X 5") LONG (CUT FROM H88770) |
| 30  | JD7797   | LUBRICATION FITTING | 1   |            | STRAIGHT, 1/4"   |
| 31  | H99260   | DOOR                | 1   |            |  |
| 32  | H99282   | CAP SCREW           | 1   |            |  |
|     | 14H786   | NUT                 | 1   |            | 1/4"   |

# 2D16

OPERATOR'S STATION

## OPERATOR'S CAB MOUNTING BRACKETS, BUSHINGS, AND SEALS

H32777 -UN-01JAN94



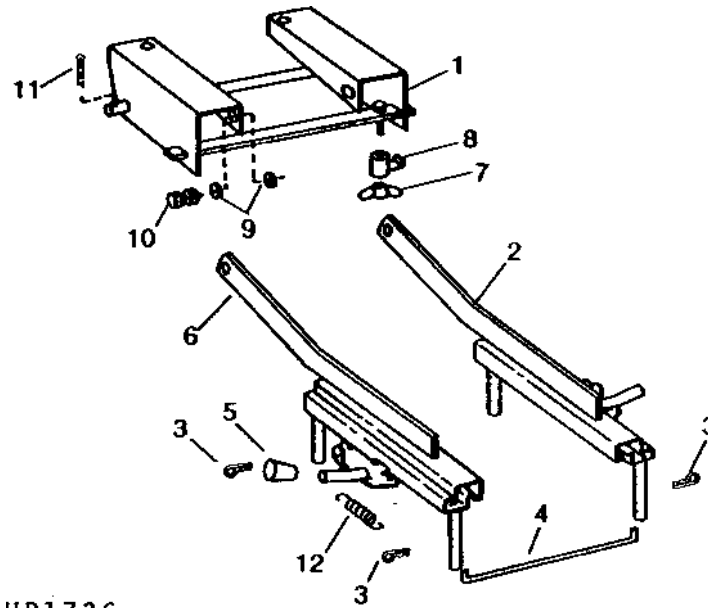
| KEY | PART NO. | PART NAME     | QTY | SERIAL NO. | REMARKS  |
|-----|----------|---------------|-----|------------|--|
| 1   | .....    | SEAL          | 2   |            | 318 MM (12-1/2") LONG (CUT FROM AH86791)         |
| 2   | H81696   | SEAL          | 1   |            | (SUB H93819)                                     |
| 3   | .....    | SEAL          | 1   |            | 819 MM (32-15/64") LONG (CUT FROM H92017)        |
| 4   | .....    | SEAL          | 1   |            | 102 MM (4") LONG (CUT FROM H92017)               |
| 5   | 19H2128  | CAP SCREW     | 2   |            | 3/8" X 3"  |
| 6   | 24H1312  | WASHER        | 5   |            | 13/32" X 1-3/8" X 0.105"                         |
| 7   | AH79104  | ISOLATOR      | 2   |            |  |
| 8   | 24H1315  | WASHER        | 2   |            | 13/32" X 2-1/8" X 0.134"                         |
| 9   | 14H812   | NUT           | 5   |            | 3/8"   |
| 10  | .....    | SEAL          | 1   |            | 615 MM (24-13/64") LONG (CUT FROM H92017)        |
| 11  | .....    | SEAL          | 1   |            | 832 MM (32-47/64") LONG (CUT FROM H92017)        |
| 12  | AH79105  | ISOLATOR      | 3   |            |  |
| 13  | 19H1726  | CAP SCREW     | 3   |            | 3/8" X 2-1/4"                                    |
| 14  | .....    | SEAL          | 1   |            | 25 MM (10") LONG (CUT FROM H92017)               |
| 15  | H93579   | BOOT          | 1   |            | BRAKE, PEDAL                                     |
| 16  | .....    | SEAL          | 1   |            | 158 MM (6-15/64") LONG (CUT FROM H92017)         |
| 17  | .....    | SEAL          | 1   |            | 345 MM (13-5/8") LONG (CUT FROM H92017)          |
| 18  | H82771   | NUT           | 4   |            |  |
| 19  | AH79758  | WEATHERSTRIP  | 1   |            |  |
| 20  | H94149   | BOOT          | 1   |            | STEERING COLUMN                                  |
| 21  | H104223  | BOOT          | 1   |            | CLUTCH PEDAL                                     |
| 22  | .....    | SEAL          | 1   |            | 782 MM (30-51/64") LONG (CUT FROM H92017)        |
| 23  | .....    | SEAL          | 1   |            | 64 MM (2-1/2") LONG (CUT FROM H92017)            |
| 24  | .....    | SEAL          | 1   |            | 122 MM (48") LONG (CUT FROM H92017)              |
| 25  | H80970   | REINFORCEMENT | 2   |            |  |
| 26  | .....    | SEAL          | 1   |            | 3 MM X 6 MM (1/8" X 1/4") LONG (CUT FROM H81847) |
| 27  | .....    | SEAL          | 1   |            | (CUT FROM AH80335)                               |
| 28  | AH96110  | SEAL          | 1   |            |  |

# 2D17

OPERATOR'S STATION

HP1736 -UN-01JAN94

OPERATOR'S PLATFORM SEAT SUPPORTS  
(SERIAL NO. -550000)



HP1736

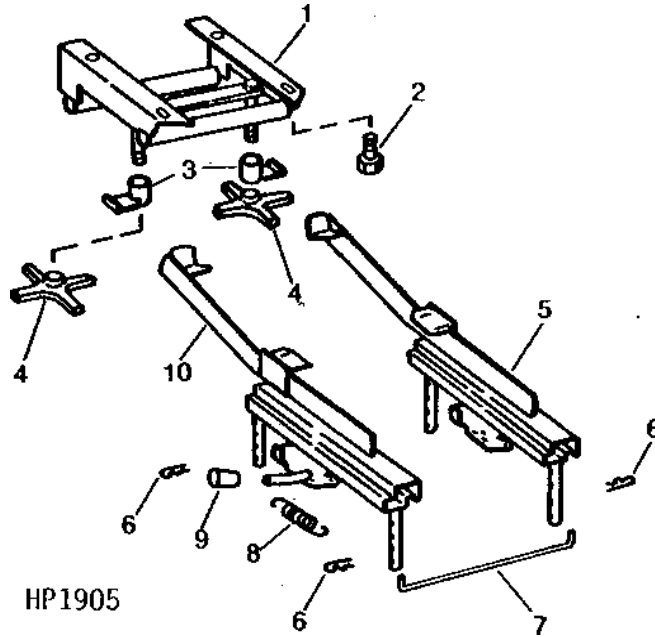
| KEY | PART NO. | PART NAME          | QTY | SERIAL NO.             | REMARKS |
|-----|----------|--------------------|-----|------------------------|---------|
| 1   | AH90485  | SUPPORT            | 1   | (REGULAR)              |         |
|     | AH97885  | SUPPORT            | 1   | (PERSONAL POSTURE)     |         |
| 2   | AH97888  | RAIL               | 1   | R.H.                   |         |
| 3   | 28316    | SPRING LOCKING PIN | 4   |                        |         |
| 4   | H99258   | PIN                | 1   |                        |         |
| 5   | H83055   | KNOB               | 1   |                        |         |
| 6   | AH97889  | RAIL               | 1   | L.H.                   |         |
| 7   | H99316   | WING NUT           | 2   |                        |         |
|     | 12H304   | LOCK WASHER        | 2   | 3/8"                   |         |
| 8   | H99259   | LOCK               | 1   |                        |         |
| 9   | 24H1237  | WASHER             | 4   | 25/64" X 7/8" X 0.060" |         |
| 10  | 19H1731  | CAP SCREW          | 2   | 3/8" X 1"              |         |
|     | 12H304   | LOCK WASHER        | 2   | 3/8"                   |         |
|     | 14H812   | NUT                | 2   | 3/8"                   |         |
| 11  | J16931   | SPRING LOCKING PIN | 2   |                        |         |
| 12  | H114637  | SPRING             | 2   |                        |         |

# 2D18

OPERATOR'S STATION

HP1905 -UN-01JAN94

## OPERATOR'S PLATFORM SEAT SUPPORTS (SERIAL NO. 550001- )



| KEY | PART NO. | PART NAME          | QTY | SERIAL NO. | REMARKS |
|-----|----------|--------------------|-----|------------|---------|
| 1   | AH112120 | SUPPORT            | 1   |            |         |
| 2   | N10212   | SELF-LOCKING SCREW | 4   |            |         |
| 3   | H99259   | LOCK               | 2   |            |         |
| 4   | M48237   | KNOB               | 2   |            |         |
| 5   | AH112122 | RAIL               | 1   |            | R.H.    |
| 6   | 28316    | SPRING LOCKING PIN | 4   |            |         |
| 7   | H99258   | PIN                | 1   |            |         |
| 8   | H114637  | SPRING             | 2   |            |         |
| 9   | H83055   | KNOB               | 1   |            |         |
| 10  | AH112121 | RAIL               | 1   |            | L.H.    |

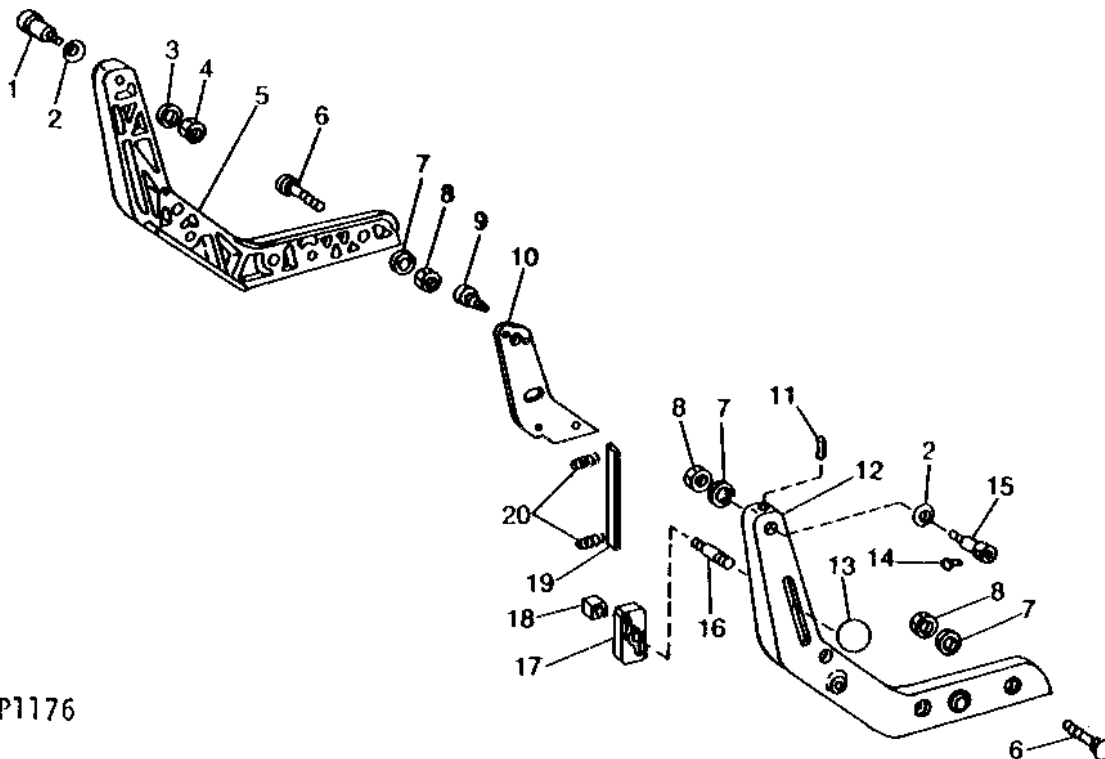


# 2D19

OPERATOR'S STATION

HP1176 -UN-01JAN94

## SEAT BACKREST SUPPORTS (PERSONAL POSTURE SEAT)



HP1176

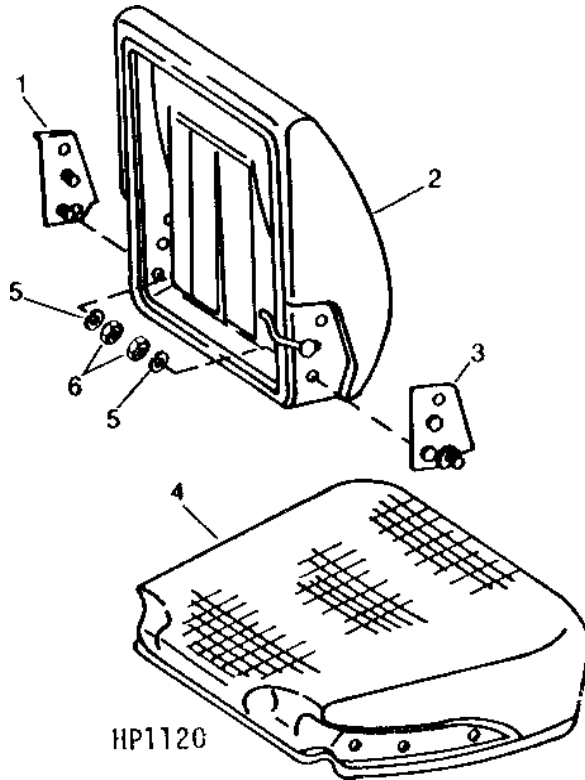
| KEY | PART NO. | PART NAME     | QTY | SERIAL NO.    | REMARKS |
|-----|----------|---------------|-----|---------------|---------|
| 1   | R59019   | SCREW         | 1   |               |         |
| 2   | T519T    | WASHER        | 2   |               |         |
| 3   | R53668   | THRUST WASHER | 2   |               |         |
| 4   | R53670   | WELD NUT      | 2   |               |         |
| 5   | R58814   | SUPPORT       | 1   |               |         |
| 6   | R59015   | GANG BOLT     | 4   |               |         |
| 7   | R53668   | THRUST WASHER | 4   |               |         |
| 8   | R53670   | WELD NUT      | 4   |               |         |
| 9   | 37H78    | SCREW         | 3   | 0.164" X 3/4" |         |
| 10  | R59011   | PLATE         | 1   |               |         |
| 11  | 22H971   | SET SCREW     | 1   | 0.190" X 1/2" |         |
| 12  | H92310   | SUPPORT       | 1   |               |         |
| 13  | R60458   | KNOB          | 1   |               |         |
| 14  | 19H2948  | SCREW         | 1   | 1/4" X 0.380" |         |
| 15  | H92311   | STUD          | 1   | R.H.          |         |
| 16  | R59012   | WELD STUD     | 1   |               |         |
| 17  | R59010   | ADJUSTER      | 1   |               |         |
| 18  | R59018   | BUSHING       | 1   |               |         |
| 19  | R59009   | REINFORCEMENT | 1   |               |         |
| 20  | R31890   | SPRING        | 2   |               |         |

# 2D20

OPERATOR'S STATION

HP1120 -UN-01JAN94

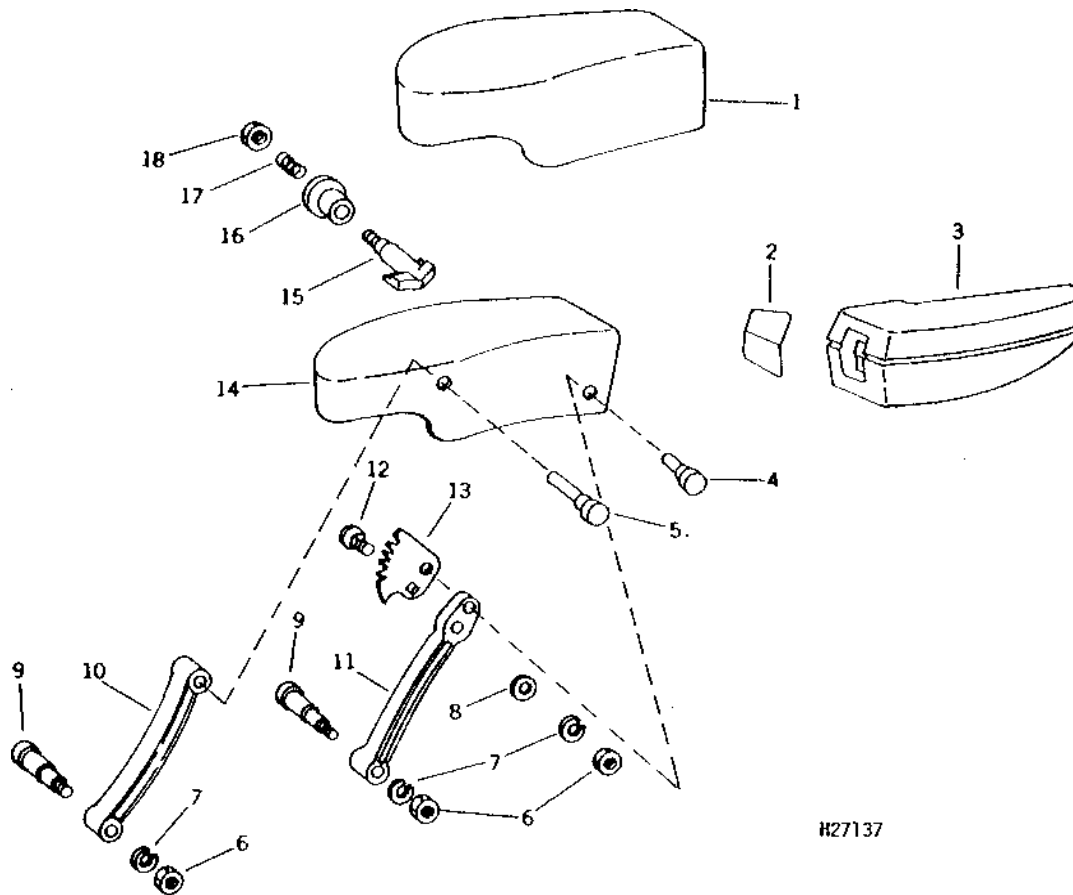
## SEAT CUSHIONS (PERSONAL POSTURE SEAT)



| KEY | PART NO. | PART NAME     | QTY | SERIAL NO. | REMARKS               |
|-----|----------|---------------|-----|------------|-----------------------|
| 1   | AR71109  | PLATE         | 1   |            | BACKREST, PIVOT, L.H. |
| 2   | AR71107  | CUSHION       | 1   |            | BACKREST              |
| 3   | AR71108  | PLATE         | 1   |            | BACKREST, PIVOT, R.H. |
| 4   | AR71106  | CUSHION       | 1   | -610100    | (SUB AT74219)         |
| 5   | AT74219  | CUSHION       | 1   |            |                       |
| 5   | R53668   | THRUST WASHER | 4   |            |                       |
| 6   | R53670   | WELD NUT      | 4   |            |                       |

H27137 -UN-01JAN94

## ARMRESTS (PERSONAL POSTURE SEAT)



H27137

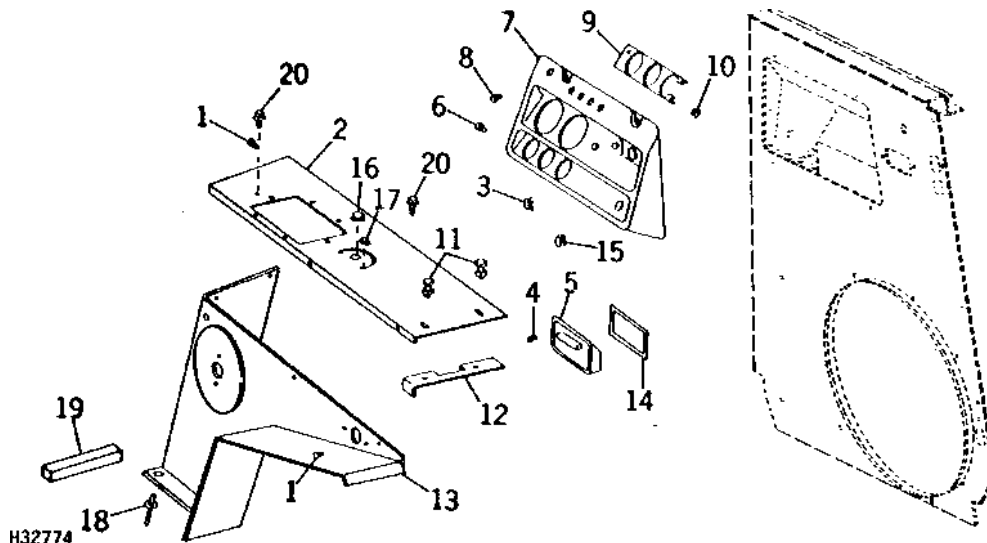
| KEY | PART NO. | PART NAME     | QTY | SERIAL NO. | REMARKS               |
|-----|----------|---------------|-----|------------|-----------------------|
| 1   | R59025   | CUSHION       | 1   |            |                       |
| 2   | H92315   | PLATE         | 1   |            | ARMREST, L.H.         |
| 3   | AH92078  | ARMREST       | 1   |            | ARMREST, R.H.<br>R.H. |
| 4   | R59021   | PIN           | 1   |            |                       |
| 5   | R59023   | PIN           | 1   |            |                       |
| 6   | R53670   | WELD NUT      | 3   |            |                       |
| 7   | R53668   | THRUST WASHER | 3   |            |                       |
| 8   | R53665   | WASHER        | 1   |            |                       |
| 9   | R59022   | SCREW         | 2   |            | SPECIAL               |
| 10  | R59013   | LINK          | 1   |            | ARMREST, REAR         |
| 11  | R59020   | LINK          | 1   |            | ARMREST, FRONT        |
| 12  | 03H1765  | BOLT          | 1   |            | 3/8" X 3/4"           |
| 13  | R59026   | PLATE         | 1   |            |                       |
| 14  | R58816   | ARMREST       | 1   |            | L.H.                  |
| 15  | R59070   | SHAFT KEY     | 1   |            |                       |
| 16  | R59028   | BUSHING       | 1   |            |                       |
| 17  | A4741R   | SPRING        | 1   |            |                       |
| 18  | R59029   | KNOB          | 1   |            |                       |

# 2D22

OPERATOR'S STATION

H32774 -UN-01JAN94

## INSTRUMENT PANEL AND CONSOLE



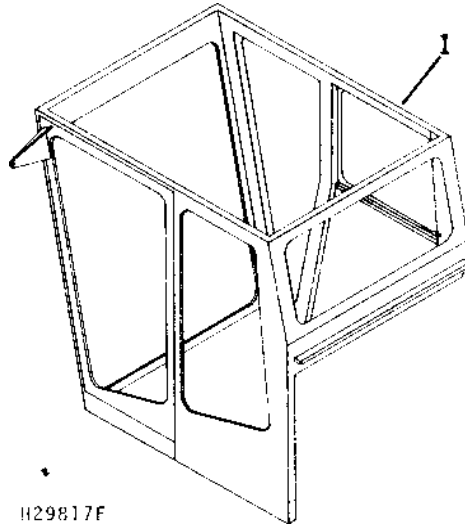
| KEY | PART NO. | PART NAME        | QTY | SERIAL NO. | REMARKS  |
|-----|----------|------------------|-----|------------|--|
| 1   | H89266   | SCREW            | 1   |            |  |
| 2   | H99237   | COVER            | 1   | -500000    | (SUB H113093 AND H113094)  |
|     | H113093  | COVER            | 1   | -500000    | (SUB H115764)  |
|     | H115764  | COVER            | 1   |            |  |
|     | H99236   | COVER            | 1   | -500000    | (SUB H113092 AND H113094)  |
|     | H113092  | COVER            | 1   | -500000    | (SUB H115765)  |
|     | H115765  | COVER            | 1   |            | (USE WITH LOW SHAFT SPEED INDICATOR)                               |
| 3   | H81352   | PLUG             | 1   |            |  |
| 4   | H98110   | SCREW            | 2   |            |  |
| 5   | AH96177  | ASHTRAY          | 1   |            |  |
| 6   | H80264   | SCREW            | 3   |            |  |
| 7   | H91338   | INSTRUMENT PANEL | 1   |            |  |
| 8   | H99278   | SCREW            | 4   |            |  |
| 9   | H78546   | RETAINER         | 1   |            |  |
| 10  | 14H786   | NUT              | 3   |            | 1/4"   |
| 11  | 19H1900  | CAP SCREW        | 2   |            | 5/16" X 3/4"   |
|     | 14H785   | NUT              | 2   |            | 5/16"  |
| 12  | H99239   | EXTENSION        | 1   | -500000    |  |
|     | H113094  | EXTENSION        | 1   | 500001-    |  |
| 13  | AH97884  | PANEL            | 1   |            |  |
| 14  | H98108   | SEAL             | 1   |            |  |
| 15  | H91792   | PLUG             | 1   |            |  |
| 16  | H62218   | PLUG             | 1   | -400784    | (SUB H106000)  |
|     | H106000  | PLUG             | 1   |            |  |
| 17  | P48338   | PLUG             | 2   |            |  |
| 18  | 21H1312  | SCREW            | 1   |            | 0.190" X 1"  |
|     | 14H778   | NUT              | 1   |            | 0.190"   |
| 19  | .....    | SEAL             | 1   |            | 19 MM X 19 MM X 225 MM (3/4" X 3/4" X 3-7/8")<br>(CUT FROM H88769) |
| 20  | H99284   | SCREW            | 7   |            |  |

# 2D23

OPERATOR'S STATION

H29817F -UN-01JAN94

## OPERATOR'S CAB BODY



H29817F

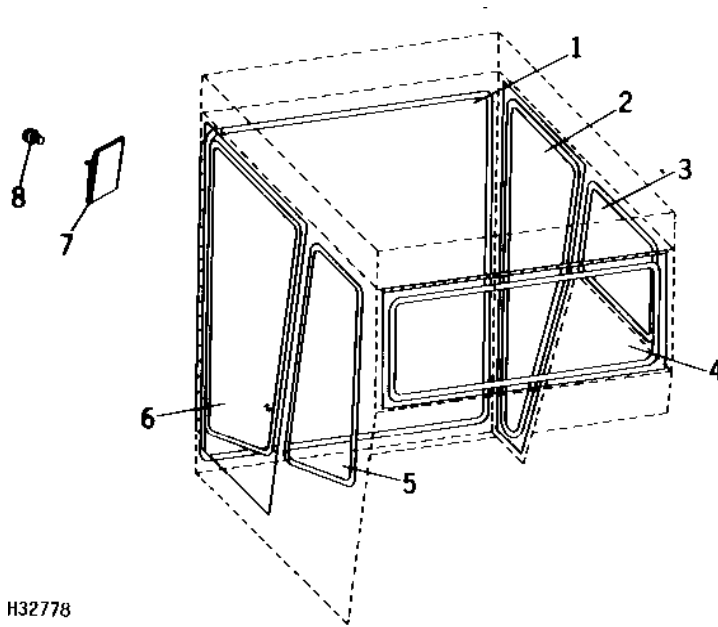
| KEY | PART NO. | PART NAME | QTY | SERIAL NO. | REMARKS                          |
|-----|----------|-----------|-----|------------|----------------------------------|
| 1   | AH97973  | CAB       | 1   |            | (INCLUDES GLASS AND DOOR FRAMES) |

# 2D24

OPERATOR'S STATION

H32778 -UN-01JAN94

## OPERATOR'S CAB GLASS, MOLDING, AND MIRROR



H32778

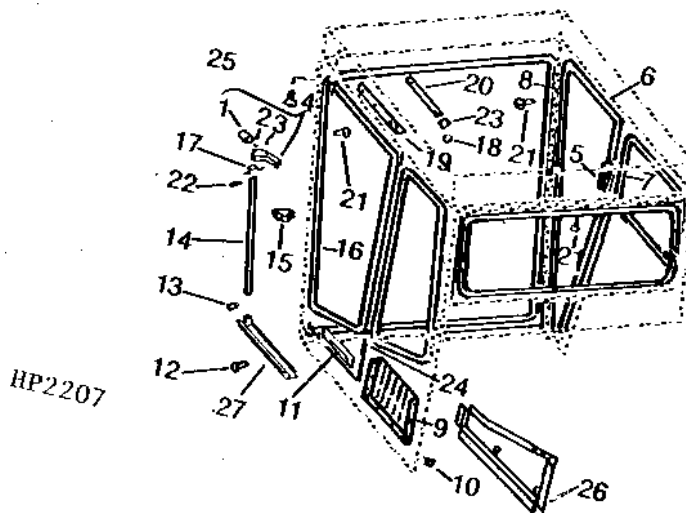
| KEY | PART NO. | PART NAME        | QTY | SERIAL NO. | REMARKS     |
|-----|----------|------------------|-----|------------|-------------|
| 1   | H81792   | WINDOWPANE       | 1   |            | WINDSHIELD  |
| 2   | H81793   | WINDOWPANE       | 1   |            | R.H. DOOR   |
| 3   | H81798   | WINDOWPANE       | 1   |            | R.H.        |
| 4   | H81796   | WINDOWPANE       | 1   |            | REAR        |
| 5   | H81797   | WINDOWPANE       | 1   |            | L.H.        |
| 6   | H81794   | WINDOWPANE       | 1   |            | L.H. DOOR   |
| 7   | AH16186  | REAR VIEW MIRROR | 1   |            |             |
| 8   | 19H2651  | CAP SCREW        | 1   |            | 1/4" X 3/4" |

# 2D25

OPERATOR'S STATION

HP2207 -UN-01JAN94

## DOORS, HINGES, LATCHES, AND TOOL POCKET FOR OPERATOR'S CAB



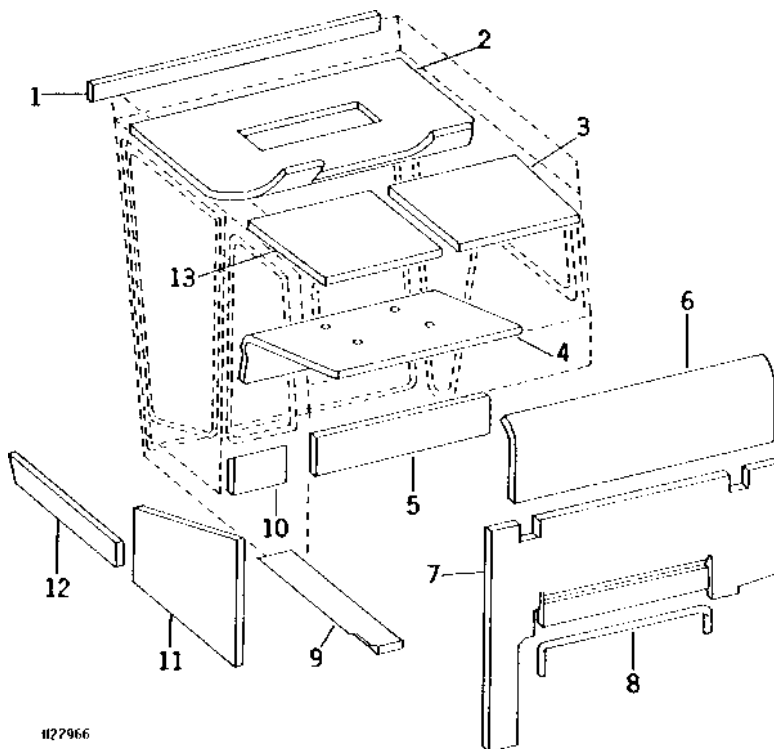
| KEY | PART NO. | PART NAME  | QTY | SERIAL NO. | REMARKS                 |
|-----|----------|------------|-----|------------|-------------------------|
| 1   | H81782   | BOLT       | 1   |            |                         |
| 2   | H88849   | SPRING     | 1   |            | INNER HANDLE, R.H. DOOR |
| 3   | 34H251   | SPRING PIN | 1   |            | 1/8" X 1"               |
| 4   | AH80329  | HANDLE     | 1   |            | INNER, L.H. DOOR        |
| 5   | AH86853  | LATCH      | 1   |            |                         |
|     | 37H32    | SCREW      | 2   |            | 0.190" X 3/8"           |
| 6   | AH80338  | FRAME      | 1   |            | R.H. DOOR               |
| 7   | AH81544  | HANDLE     | 1   |            | OUTER, R.H. DOOR        |
| 8   | AH80331  | HINGE      | 1   |            | R.H. DOOR               |
| 9   | AH80715  | HOLDER     | 1   |            |                         |
| 10  | 21H1300  | SCREW      | 10  |            | 0.190" X 3/8"           |
| 11  | AH84129  | FRAME      | 1   |            | L.H. DOOR               |
| 12  | H81804   | BUMPER     | 1   |            |                         |
| 13  | 34H277   | SPRING PIN | 1   |            | 3/16" X 5/8"            |
| 14  | H84481   | PIN        | 1   |            |                         |
| 15  | H82241   | PLATE      | 1   | -550000    | (SUB H100286)           |
|     | H100286  | LATCH      | 1   |            | STRIKER                 |
| 16  | AH84125  | HINGE      | 1   |            |                         |
| 17  | H84197   | SPRING     | 1   |            |                         |
| 18  | 16H1300  | RIVET      | 3   |            | 3/8" X 5/8"             |
| 19  | AH84127  | HOUSING    | 1   |            |                         |
| 20  | AH84126  | STRAP      | 1   |            | L.H. DOOR               |
| 21  | 37H32    | SCREW      | 30  |            | 0.190" X 3/8"           |
| 22  | 34H282   | SPRING PIN | 1   |            | 3/16" X 1"              |
| 23  | H83943   | PUSH NUT   | 1   |            |                         |
| 24  | H89012   | PIN        | 1   |            |                         |
| 25  | H89266   | SCREW      | 9   |            |                         |
| 26  | AH107850 | PANEL      | 1   | 400988-    | L.H. INNER DOOR         |
| 27  | AH84128  | HANDLE     | 1   |            | L.H., LOWER             |

# 2E1

OPERATOR'S STATION

H22966 -UN-01JAN94

## OPERATOR'S CAB SOUND INSULATION AND SEALS



| KEY | PART NO. | PART NAME | QTY | SERIAL NO. | REMARKS  |
|-----|----------|-----------|-----|------------|--|
| 1   | AH86563  | INSULATOR | 1   |            | FRONT, TOP, (CUT AS REQUIRED FOR CABS EQUIPPED WITH WINDSHIELD WIPERS) |
| 2   | AH96289  | INSULATOR | 1   |            | ROOF, FRONT  |
| 3   | AH86824  | INSULATOR | 1   |            | HEADLINER, R.H.  |
| 4   | AH86441  | INSULATOR | 1   |            | LID, SEAT  |
| 5   | AH86440  | INSULATOR | 1   |            | SEAT, LOWER  |
| 6   | AH85443  | INSULATOR | 1   |            | (TRIM TO SIZE)   |
| 7   | AH86434  | INSULATOR | 1   |            | CAB, REAR  |
| 8   | .....    | SEAL      | 1   |            | 19 MM X 15 MM X 597 MM (3/4" X 37/64" X 23-1/2") (CUT FROM H85782)     |
| 9   | AH86555  | MAT       | 1   |            | FLOOR, L.H.  |
| 10  | AH86439  | INSULATOR | 1   |            | DOOR, ELEVATOR   |
| 11  | AH86560  | INSULATOR | 1   |            | SILL, L.H. WINDOW  |
| 12  | AH86559  | INSULATOR | 1   |            | SILL, L.H. DOOR  |
| 13  | AH86825  | INSULATOR | 1   |            | HEADLINER, L.H.  |

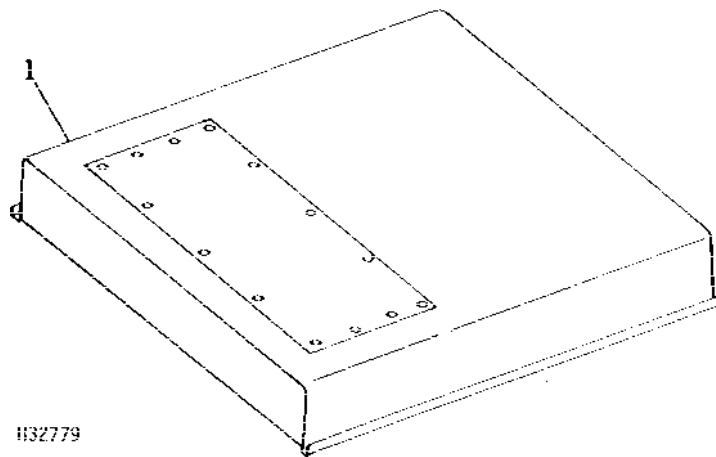


# 2E2

OPERATOR'S STATION

H32779 -UN-01JAN94

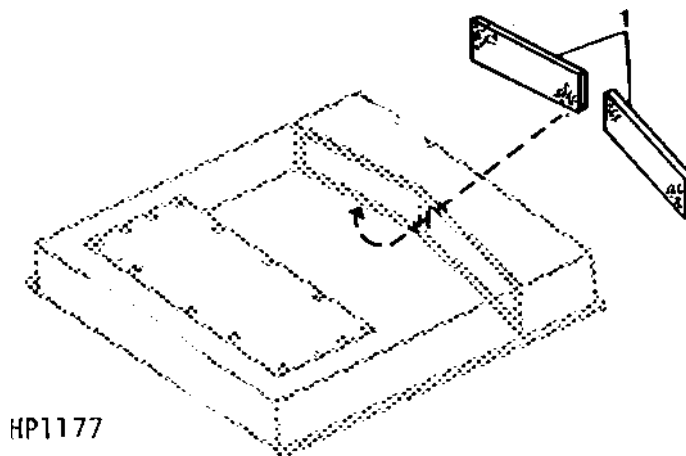
## CAB ROOF



| KEY | PART NO. | PART NAME | QTY | SERIAL NO. | REMARKS |
|-----|----------|-----------|-----|------------|---------|
| 1   | AH96319  | ROOF      | 1   |            |         |

HP1177 -UN-01JAN94

## CAB ROOF RECIRCULATING FILTERS

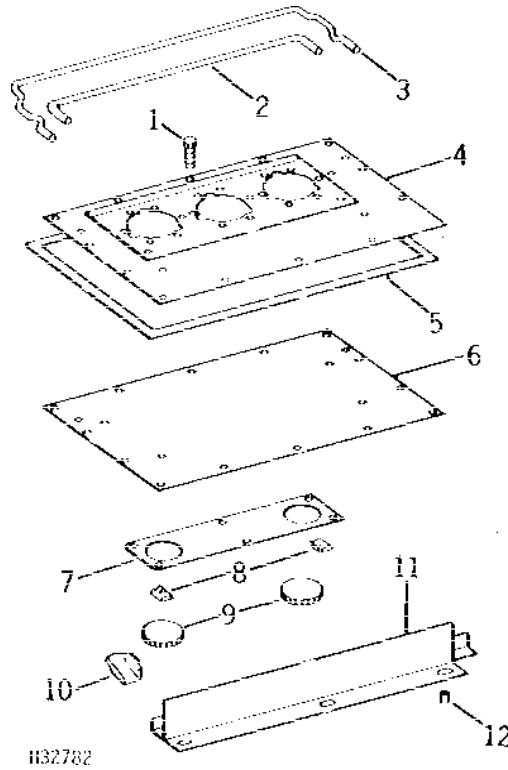


| KEY | PART NO. | PART NAME  | QTY | SERIAL NO. | REMARKS |
|-----|----------|------------|-----|------------|---------|
| 1   | H97814   | AIR FILTER | 2   |            |         |

# 2E3

H32782 -UN-01JAN94

## OPERATOR'S CAB PANELS AND LOUVERS



H32782

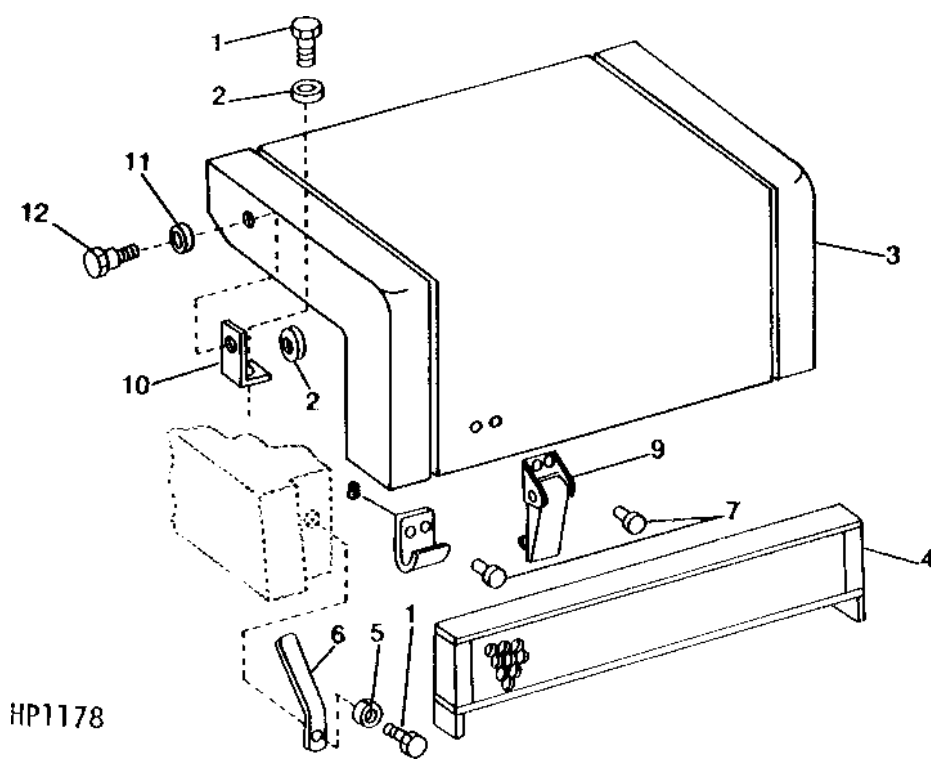
| KEY | PART NO. | PART NAME | QTY | SERIAL NO. | REMARKS   |
|-----|----------|-----------|-----|------------|---|
| 1   | AH87867  | SCREW     | 16  |            |   |
| 2   | .....    | SEAL      | 1   |            | 19 MM X 19 MM X 1130 MM (3/4" X 3/4" X 44-1/2") (CUT FROM H88769) |
| 3   | .....    | SEAL      | 1   |            | 6 MM X 13 MM X 1829 MM (1/4" X 1/2" X 72") (CUT FROM H118398)     |
| 4   | H88578   | SHEET     | 1   |            |   |
| 5   | .....    | SEAL      | 1   |            | 3 MM X 6 MM X 3658 MM (1/8" X 1/4" X 144") (CUT FROM H81847)      |
| 6   | H88779   | SEAL      | 1   |            |   |
| 7   | H81685   | PANEL     | 1   |            |   |
| 8   | H83282   | CLIP      | 6   |            |   |
| 9   | AH96276  | LOUVER    | 2   |            |   |
| 10  | H83062   | DEFLECTOR | 1   |            |   |
| 11  | AH85442  | PANEL     | 1   |            |   |
| 12  | 37H105   | SCREW     | 3   |            | NO. 10 X 3/8"   |

# 2E4

OPERATOR'S STATION

HP1178 -UN-01JAN94

## AIR INTAKE AT REAR OF OPERATOR'S CAB



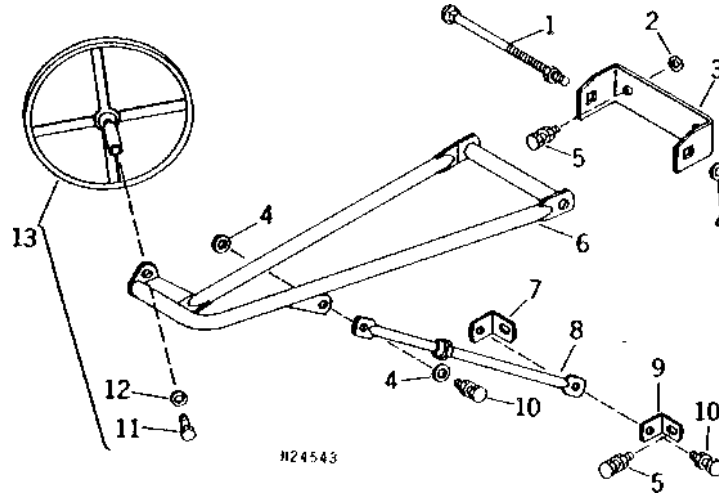
| KEY | PART NO. | PART NAME | QTY | SERIAL NO.               | REMARKS |
|-----|----------|-----------|-----|--------------------------|---------|
| 1   | 19H1948  | CAP SCREW | 3   | 1/4" X 3/4"              |         |
| 2   | 24H1287  | WASHER    | 4   | 9/32" X 5/8" X 0.065"    |         |
| 3   | AH96387  | COVER     | 1   |                          |         |
| 4   | AH80920  | FILTER    | 1   |                          |         |
| 5   | M40333   | LOCK NUT  | 1   |                          |         |
| 6   | H97815   | HANDLE    | 1   |                          |         |
| 7   | H64584   | RIVET     | 4   |                          |         |
| 8   | H61805   | HOOK      | 1   |                          |         |
| 9   | AH61903  | LATCH     | 1   |                          |         |
| 10  | H96870   | ANGLE     | 2   |                          |         |
| 11  | 24H1136  | WASHER    | 2   | 11/32" X 11/16" X 0.065" |         |
| 12  | E55780   | CAP SCREW | 2   |                          |         |
|     | 14H786   | NUT       | 2   | 1/4"                     |         |

# 2E5

OPERATOR'S STATION

H24543 -UN-01JAN94

## RIGHT-HAND REAR VIEW MIRROR



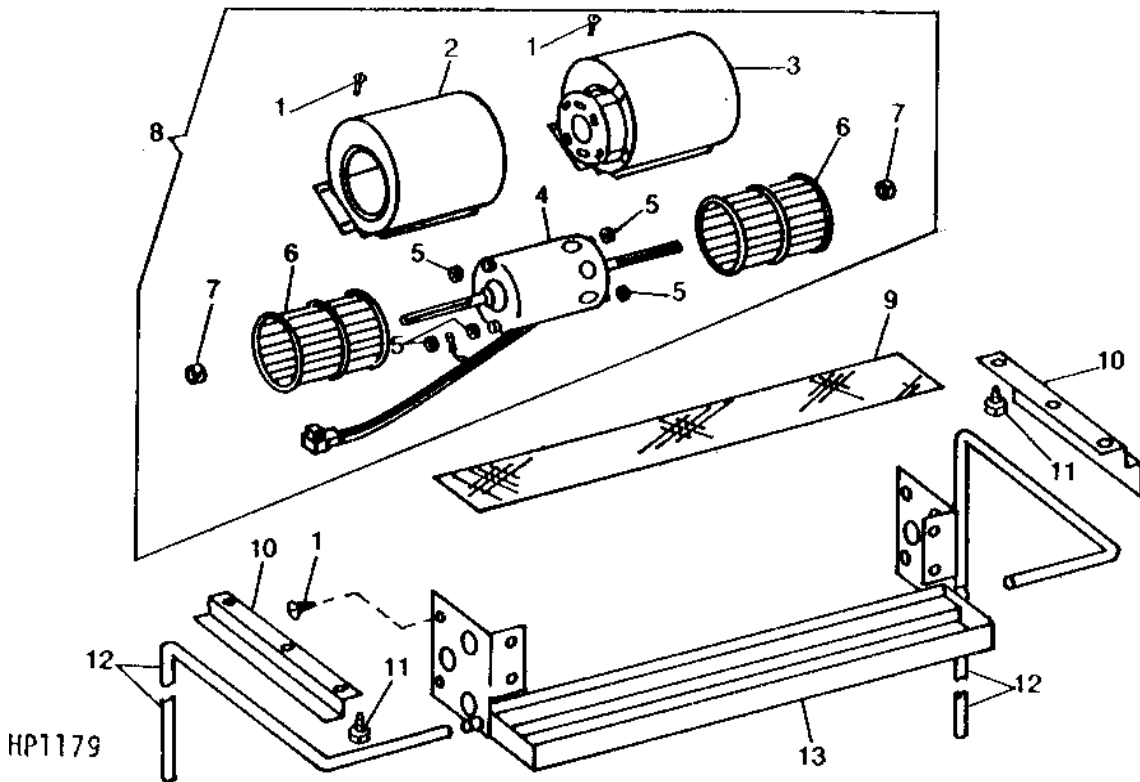
| KEY | PART NO. | PART NAME        | QTY | SERIAL NO. | REMARKS                  |
|-----|----------|------------------|-----|------------|--------------------------|
| 1   | 03H2299  | BOLT             | 1   |            | 5/16" X 6-1/2"           |
|     | 14H785   | NUT              | 1   |            | 5/16"                    |
| 2   | 24H1305  | WASHER           | 2   |            | 13/32" X 13/16" X 0.065" |
| 3   | H86757   | BRACKET          | 1   | -400000    | (SUB H100673)            |
|     | H100673  | BRACKET          | 1   |            |                          |
| 4   | 24H1122  | WASHER           | 3   |            | 3/8" X 7/8" X 0.083"     |
| 5   | 19H2284  | CAP SCREW        | 3   |            | 3/8" X 7/8"              |
|     | 14H812   | NUT              | 3   |            | 3/8"                     |
| 6   | AH87744  | SUPPORT          | 1   |            |                          |
| 7   | H86391   | ANGLE            | 1   |            | OUTER                    |
| 8   | AH99411  | ARM              | 1   |            |                          |
| 9   | H86390   | ANGLE            | 1   |            | INNER                    |
| 10  | 19H2127  | CAP SCREW        | 2   |            | 5/16" X 7/8"             |
|     | 14H785   | NUT              | 2   |            | 5/16"                    |
| 11  | 19H1919  | CAP SCREW        | 1   |            | 1/4" X 5/8"              |
| 12  | 12H302   | LOCK WASHER      | 1   |            | 1/4"                     |
| 13  | AH85485  | REAR VIEW MIRROR | 1   | -400000    |                          |
|     | AH99408  | REAR VIEW MIRROR | 1   |            |                          |

# 2E6

OPERATOR'S STATION

HP1179 -UN-01JAN94

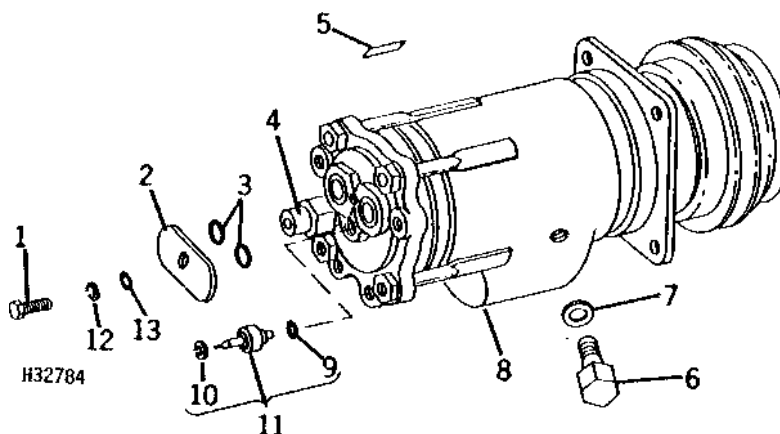
## OPERATOR'S CAB PRESSURIZER



| KEY | PART NO. | PART NAME | QTY | SERIAL NO. | REMARKS       |
|-----|----------|-----------|-----|------------|---------------|
| 1   | 19H1919  | CAP SCREW | 8   |            | 1/4" X 5/8"   |
| 2   | AH89814  | CASE      | 1   |            | L.H.          |
| 3   | AH89813  | CASE      | 1   |            | R.H.          |
| 4   | AH80194  | MOTOR     | 1   |            |               |
| 5   | 14H778   | NUT       | 5   |            | 0.190"        |
| 6   | H84107   | WHEEL     | 2   |            |               |
| 7   | H84108   | CLIP      | 2   |            |               |
| 8   | AH89816  | FAN       | 1   |            |               |
| 9   | H82237   | SCREEN    | 1   |            |               |
| 10  | H85485   | SHIELD    | 2   |            |               |
| 11  | 37H32    | SCREW     | 6   |            | 0.190" X 3/8" |
| 12  | H83025   | LINE      | 2   |            |               |
| 13  | AH88881  | HOLDER    | 1   |            |               |

H32784 -UN-01JAN94

OPERATOR'S CAB COMPRESSOR AND VALVE  
(SERIAL NO. -610100)



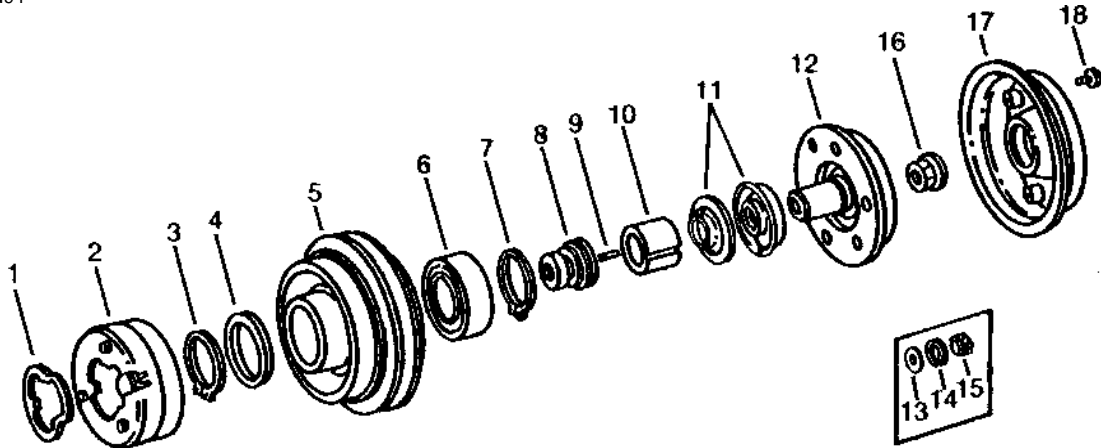
| KEY | PART NO. | PART NAME   | QTY | SERIAL NO. | REMARKS                  |
|-----|----------|-------------|-----|------------|--------------------------|
| 1   | 19M7170  | CAP SCREW   | 1   |            | M10 X 50                 |
| 2   | R60171   | STRAP       | 1   |            |                          |
| 3   | R47235   | O-RING      | 2   |            |                          |
| 4   | AR49808  | VALVE       | 1   |            |                          |
| 5   | R42822   | LABEL       | 1   | -400000    | (COMPRESSOR CHARGE)      |
|     | H106299  | LABEL       | 1   | 400001-    | (COMPRESSOR CHARGE)      |
| 6   | R47233   | PLUG        | 1   |            |                          |
| 7   | R47234   | WASHER      | 1   |            |                          |
| 8   | AR92109  | COMPRESSOR  | 1   |            |                          |
| 9   | 32240    | O-RING      | 1   |            |                          |
| 10  | R63571   | SNAP RING   | 1   |            |                          |
| 11  | AR78501  | KIT         | 1   |            |                          |
| 12  | 12M7066  | LOCK WASHER | 1   |            | 10 MM (3/8")             |
| 13  | 24H1884  | WASHER      | 1   |            | 13/32" X 13/16" X 0.120" |

# 2E8

OPERATOR'S STATION

## COMPRESSOR COIL, CLUTCH, AND PULLEY (SERIAL NO. -610100)

HP514 -UN-01JAN94



| KEY | PART NO  | HP514<br>PART NAME | QTY | SERIAL NO.    | REMARKS                                  |
|-----|----------|--------------------|-----|---------------|--|
| 1   | R56246   | GASKET             | 1   |               | (A) (ALSO ORDER AR71289)                 |
| 2   | AR49803  | ELECTRICAL COIL    | 1   |               | (A) (ALSO ORDER AR71289)                 |
| 3   | R47224   | SNAP RING          | 1   |               | (A) (ALSO ORDER AR71289)                 |
| 4   | R54766   | WASHER             | 1   |               | (A) REAR, (ALSO ORDER AR71289)           |
| 5   | AR71287  | PULLEY             | 1   |               | (INCLUDES KEYS 4, 6 AND 11)              |
|     | AH119050 | ROTOR              | 1   |               | ROTOR-MAGNET CLUTCH                      |
| 6   | AR71288  | BALL BEARING       | 1   |               |  |
| 7   | R47226   | SNAP RING          | 1   |               | (A) (ALSO ORDER AR71289)                 |
| 8   | AR71285  | KIT                | 1   |               | SEAL WITH FRONT SHIELD (INCLUDES KEY 11) |
| 9   | R47229   | SHAFT KEY          | 1   |               |  |
| 10  | R47227   | SEAL               | 1   |               | (A) (ALSO ORDER AR71289)                 |
| 11  | AR71289  | SHIELD             | 1   |               | FRONT                                    |
| 12  | AR71286  | CLUTCH             | 1   |               | (INCLUDES AR71290)                       |
| 13  | R47230   | WASHER             | 1   | -400000       |  |
| 14  | R47231   | SNAP RING          | 1   | -400000       |  |
| 15  | R47232   | NUT                | 1   | -400000       |  |
| 16  | R69297   | FLANGE NUT         | 1   | 400001-       |  |
| 17  | AR71290  | COVER              | 1   |               |  |
| 18  | 37H32    | SCREW              | 3   | 0.190" X 3/8" |  |

NOTE: WHEN ANY OF THE PARTS MARKED WITH AN (A) ARE ORDERED FOR PARTS, ALSO ORDER AR71289.

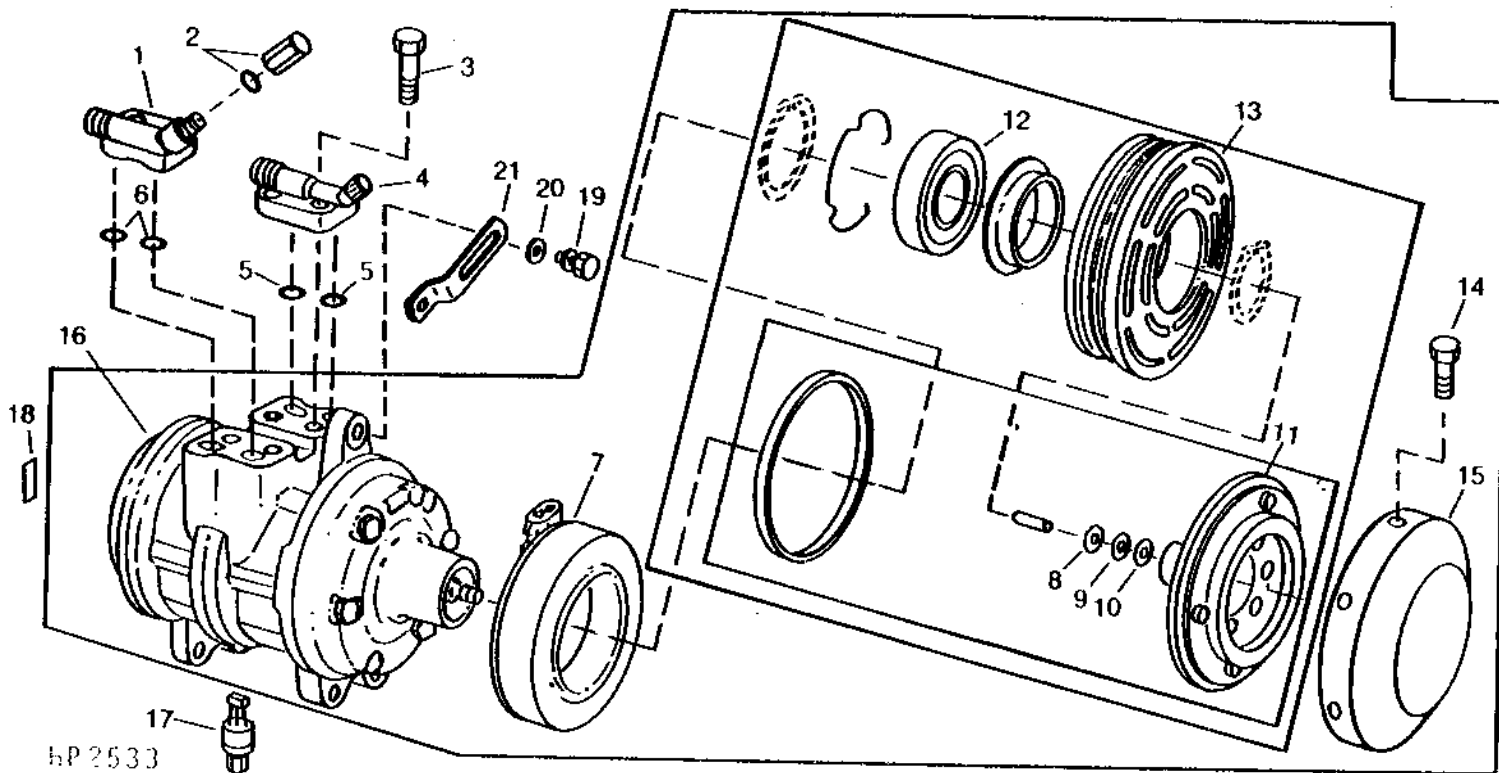
# 2E9

OPERATOR'S STATION

## COMPRESSOR, CLUTCH AND SERVICE VALVES (SERIAL NO. 610101- )

HP2533

-UN-01JAN94



| KEY | PART NO. | PART NAME  | QTY | SERIAL NO. | REMARKS            |
|-----|----------|------------|-----|------------|--------------------|
| 1   | RE10981  | MANIFOLD   | 1   |            |                    |
| 2   | RE10982  | VALVE      | 1   |            |                    |
| 3   | R77398   | SCREW      | 4   |            |                    |
| 4   | RE10980  | MANIFOLD   | 1   |            |                    |
| 5   | R77401   | O-RING     | 1   |            |                    |
| 6   | R77400   | PACKING    | 1   |            |                    |
| 7   | R77395   | CLUTCH     | 1   |            |                    |
| 8   | R77391   | WASHER     | AR  |            |                    |
| 9   | R77392   | SHIM       | AR  |            |                    |
| 10  | R77393   | SHIM       | AR  |            |                    |
| 11  | RE10974  | KIT        | 1   |            |                    |
| 12  | R77394   | BEARING    | 1   |            |                    |
| 13  | RE10975  | KIT        | 1   |            |                    |
| 14  | R77390   | SCREW      | 6   |            |                    |
| 15  | R77389   | COVER      | 1   |            |                    |
| 16  | RE12513  | COMPRESSOR | 1   |            |                    |
| 17  | AT63265  | SWITCH     | 1   |            | HI PRESSURE SWITCH |
| 18  | H115067  | LABEL      | 1   |            | COMPRESSOR CHARGE  |
| ..  | RE10976  | KIT        | 1   |            |                    |

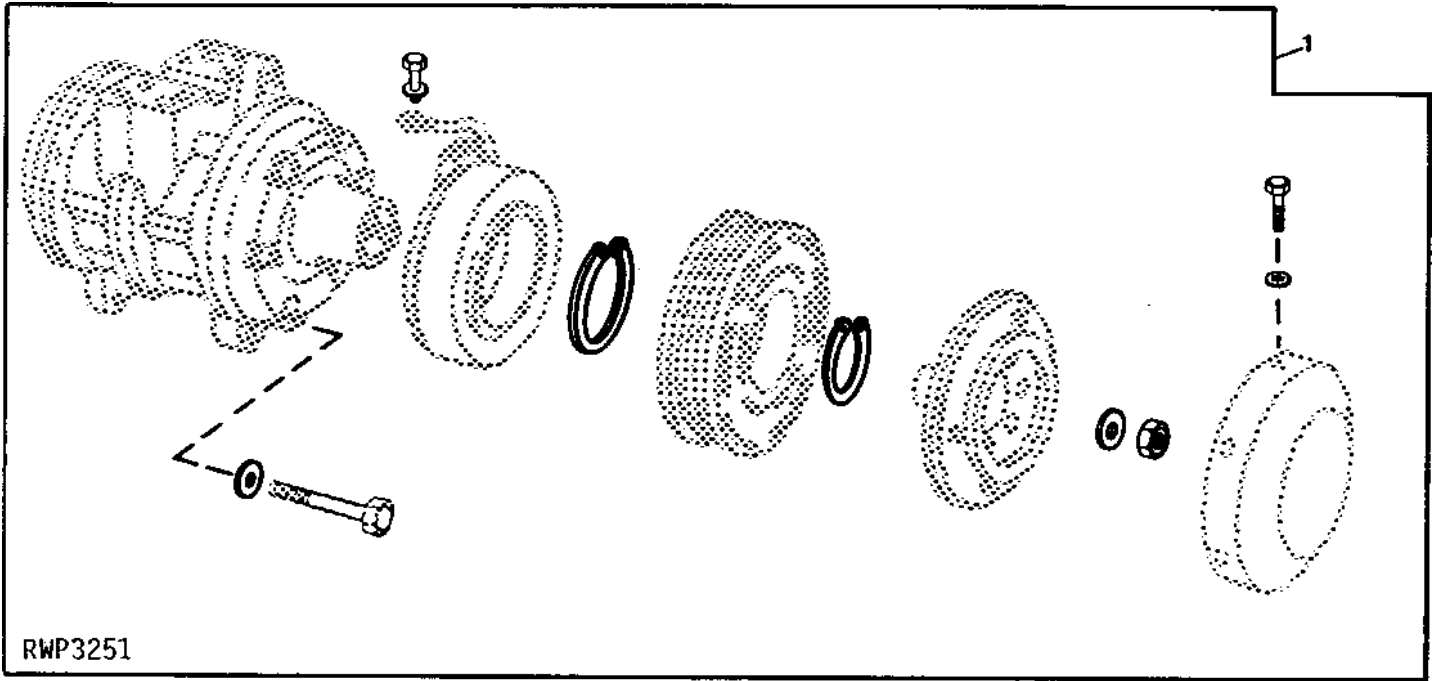


# 2E10

OPERATOR'S STATION

## COMPRESSOR HARDWARE SET (SERIAL NO. 610101- )

RWP3251 -UN-01JAN94



| KEY | PART NO. | PART NAME | QTY | SERIAL NO. | REMARKS |
|-----|----------|-----------|-----|------------|---------|
| 1   | RE10976  | KIT       | 1   |            |         |

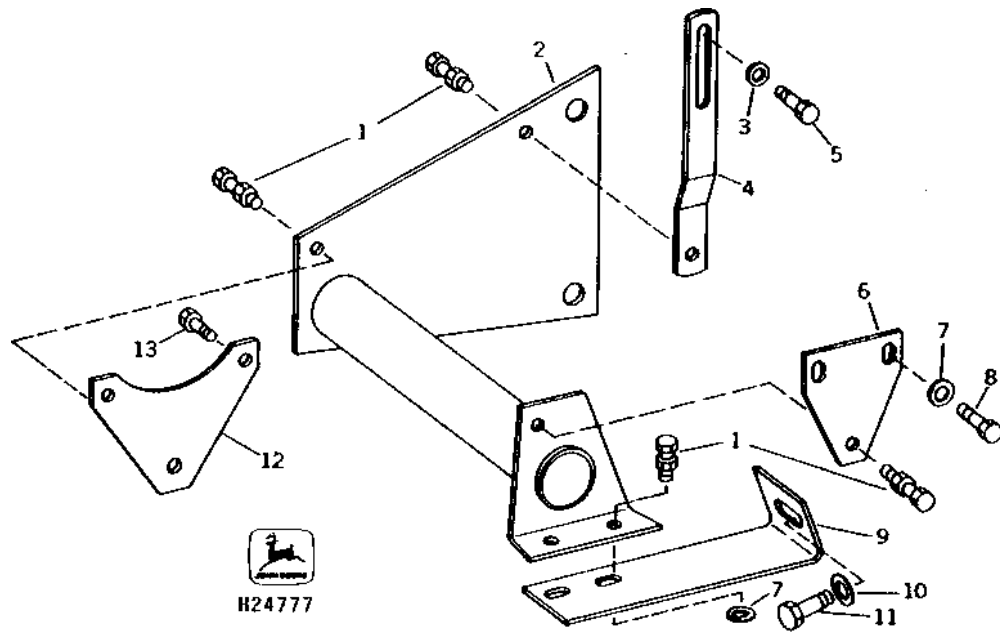
# 2E11

OPERATOR'S STATION

## AIR CONDITIONER COMPRESSOR MOUNTING AND SUPPORTS (SERIAL NO. -610100)

H24777

-UN-01JAN94



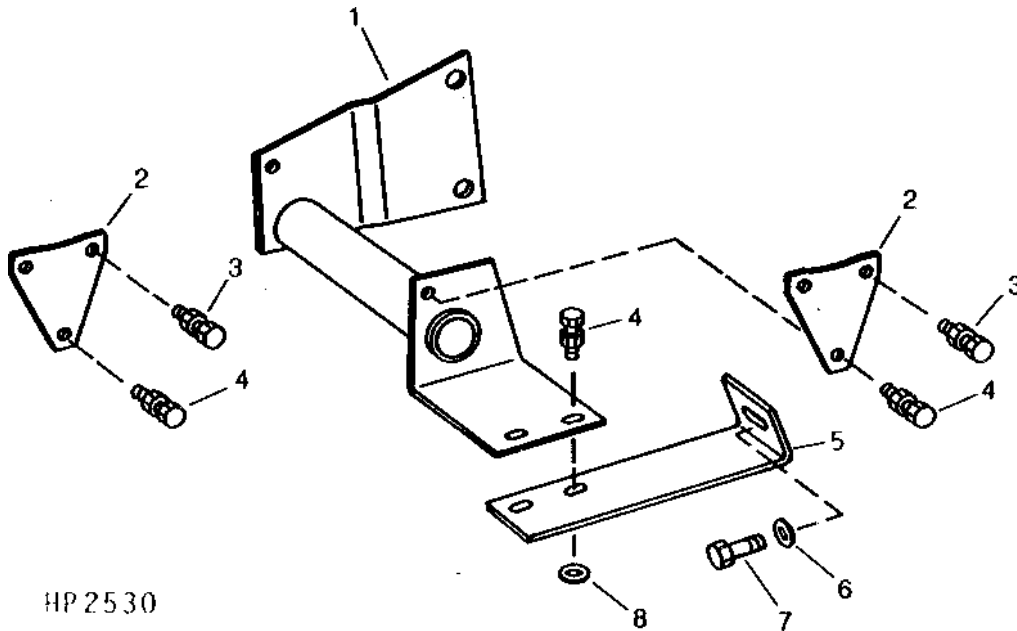
| KEY | PART NO. | PART NAME   | QTY | SERIAL NO.                     | REMARKS |
|-----|----------|-------------|-----|--------------------------------|---------|
| 1   | 19H1731  | CAP SCREW   | 5   | 3/8" X 1"                      |         |
|     | 14H812   | NUT         | 5   | 3/8"                           |         |
| 2   | AH87977  | SUPPORT     | 1   |                                |         |
| 3   | 24H1292  | WASHER      | 1   | 11/32" X 3/4" X 0.120"         |         |
| 4   | H87116   | ARM         | 1   |                                |         |
| 5   | 19M7163  | CAP SCREW   | 1   | 8 MM X 25 MM (5/16" X 1")      |         |
|     | 12M7065  | LOCK WASHER | 1   | 8 MM (5/16")                   |         |
| 6   | H87114   | HOLDER      | 1   | REAR                           |         |
| 7   | 24H1305  | WASHER      | 3   | 13/32" X 13/16" X 0.065"       |         |
| 8   | 19M7662  | CAP SCREW   | 2   | 10 MM X 30 MM (3/8" X 1-3/16") |         |
|     | 12M7066  | LOCK WASHER | 2   | 10 MM (3/8")                   |         |
| 9   | H87115   | BRACE       | 1   |                                |         |
| 10  | 24H1357  | WASHER      | 1   | 19/32" X 1-5/32" X 0.090"      |         |
| 11  | 19H2355  | CAP SCREW   | 1   | 9/16" X 1-1/2"                 |         |
|     | 12H317   | LOCK WASHER | 1   | 9/16"                          |         |
| 12  | H87101   | PLATE       | 1   | FRONT                          |         |
| 13  | 19M7163  | CAP SCREW   | 2   | 8 MM X 25 MM (5/16" X 1")      |         |
|     | 12M7065  | LOCK WASHER | 2   | 8 MM (5/16")                   |         |

# 2E12

OPERATOR'S STATION

## AIR CONDITIONER COMPRESSOR MOUNTING AND SUPPORTS (SERIAL NO. 610101- )

HP2530 -UN-01JAN94



HP 2530

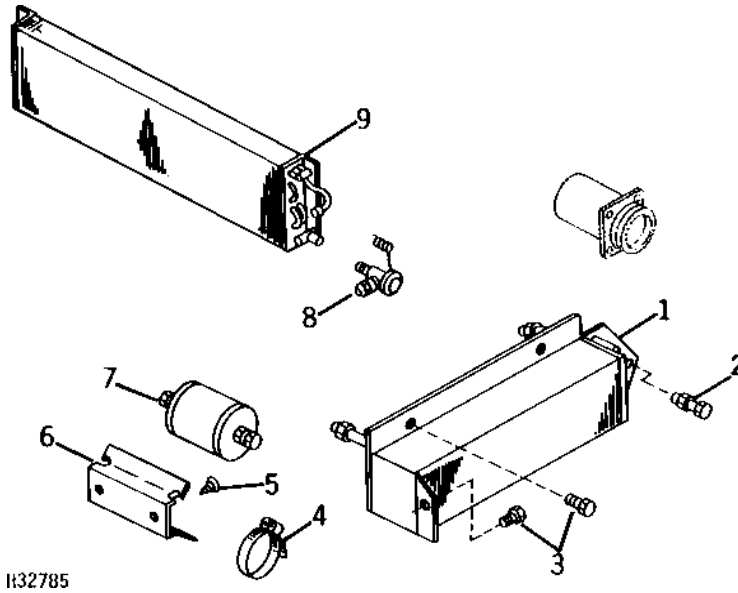
| KEY | PART NO. | PART NAME   | QTY | SERIAL NO.                | REMARKS |
|-----|----------|-------------|-----|---------------------------|---------|
| 1   | AH119896 | SUPPORT     | 1   |                           |         |
| 2   | H120407  | PLATE       | 2   |                           |         |
| 3   | 19M8007  | CAP SCREW   | 4   | M10 X 25                  |         |
|     | 12M7066  | LOCK WASHER | 4   | 10.200 MM                 |         |
| 4   | 19H1731  | CAP SCREW   | 4   | 3/8" X 1"                 |         |
|     | 12H304   | LOCK WASHER | 4   | 3/8"                      |         |
|     | 14H812   | NUT         | 4   | 3/8"                      |         |
| 5   | H87115   | BRACE       | 1   |                           |         |
| 6   | 24H1357  | WASHER      | 1   | 19/32" X 1-5/32" X 0.090" |         |
| 7   | 19H2355  | CAP SCREW   | 1   | 9/16" X 1-1/2"            |         |
|     | 12H317   | LOCK WASHER | 1   | 9/16"                     |         |
|     | 24H1305  | WASHER      | 2   | 13/32" X 13/16" X 0.065"  |         |
| 8   | 24H1305  | WASHER      | 2   | 13/32" X 13/16" X 0.065"  |         |

MEMORANDA

# 2E13

H32785 -UN-01JAN94

## AIR CONDITIONER CONDENSER AND RECEIVER-DRYER



| KEY | PART NO. | PART NAME          | QTY | SERIAL NO.   | REMARKS |
|-----|----------|--------------------|-----|--------------|---------|
| 1   | AH92499  | VAPOR CONDENSER    | 1   |              |         |
| 2   | 19H1900  | CAP SCREW          | 1   | 5/16" X 3/4" |         |
|     | N10213   | LOCK NUT           | 1   |              |         |
| 3   | N71292   | SELF-LOCKING SCREW | 3   |              |         |
| 4   | AR21842  | CLAMP              | 2   |              |         |
| 5   | H65108   | SCREW              | 2   | SELF-TAPPING |         |
| 6   | H87092   | SUPPORT            | 1   |              |         |
| 7   | AR59780  | RECEIVER-DRYER     | 1   |              |         |
| 8   | AH80191  | VALVE              | 1   |              |         |
| 9   | AH80696  | EVAPORATOR         | 1   |              |         |

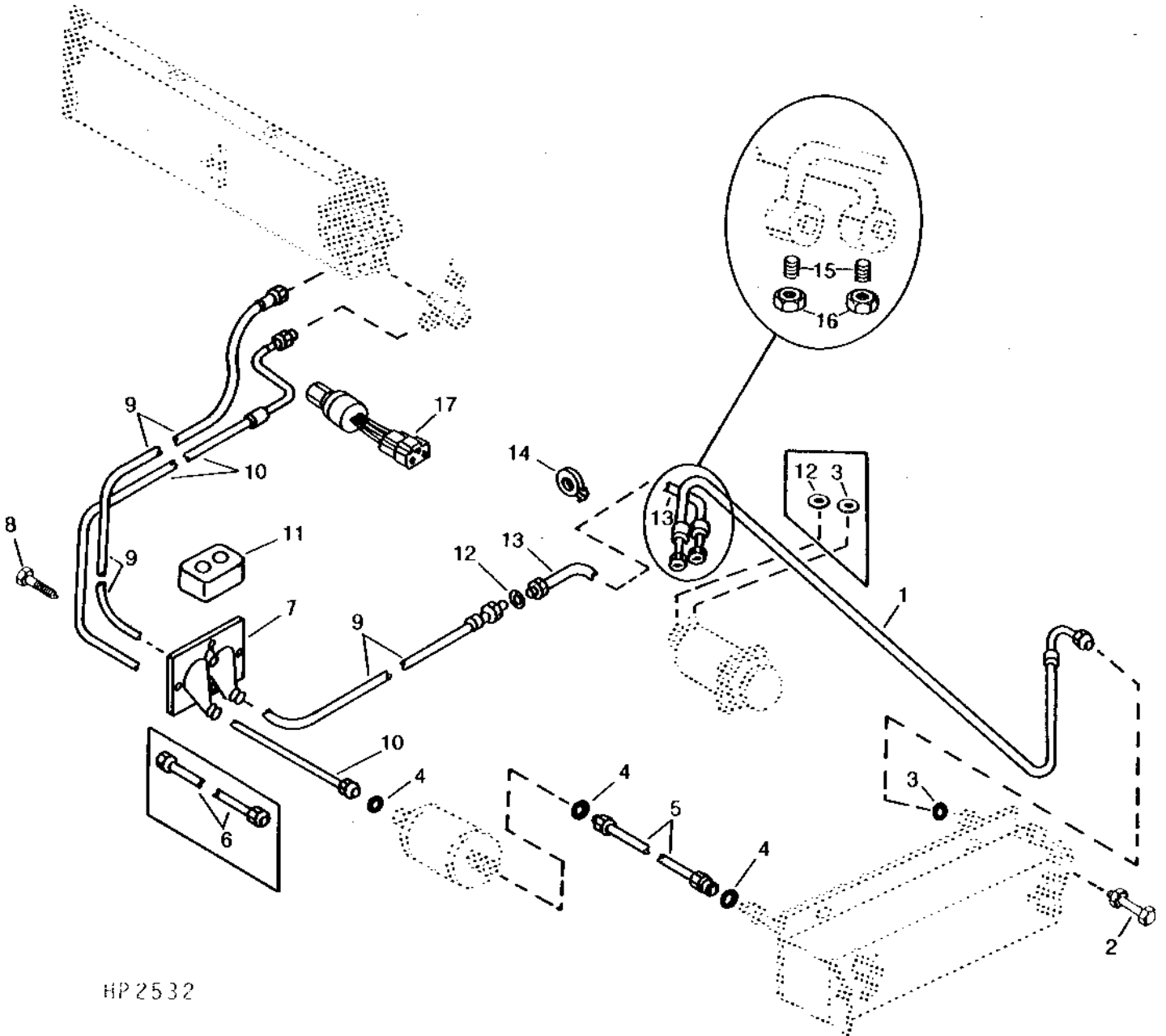
# 2E14

OPERATOR'S STATION

HP2532

-UN-01JAN94

## AIR CONDITIONER LINES



HP 2532

# 2E15

OPERATOR'S STATION

## AIR CONDITIONER LINES - CONTINUED

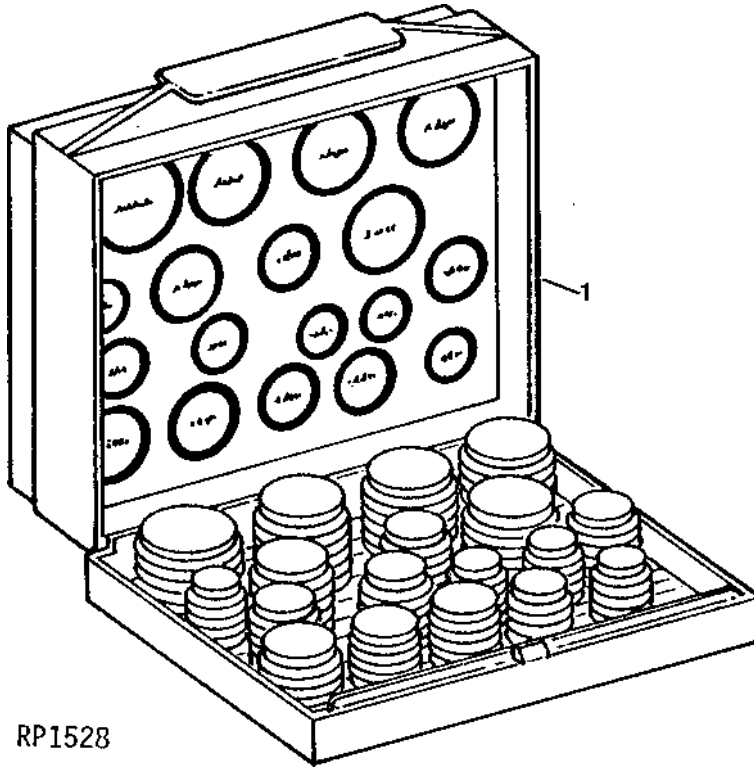
| KEY | PART NO. | PART NAME      | QTY | SERIAL NO. | REMARKS            |
|-----|----------|----------------|-----|------------|--------------------|
| 1   | AH91612  | HYDRAULIC HOSE | 1   | -610100    |                    |
|     | AH116882 | HOSE           | 1   | 610101-    |                    |
| 2   | 19H1900  | CAP SCREW      | 1   |            | 5/16" X 3/4"       |
|     | N10213   | LOCK NUT       | 1   |            |                    |
| 3   | P51212   | O-RING         | 1   |            |                    |
| 4   | R10093   | O-RING         | 1   |            |                    |
| 5   | AH87968  | LINE           | 1   |            |                    |
| 6   | AH87970  | LINE           | 1   |            |                    |
| 7   | H87117   | BOOT           | 1   |            |                    |
| 8   | 37H120   | SCREW          | 4   |            | 0.164" X 1/2"      |
| 9   | AH89593  | HOSE           | 1   |            |                    |
| 10  | AH91326  | HOSE           | 1   | -610100    |                    |
|     | AH117218 | HOSE           | 1   | 610101-    |                    |
| 11  | H97745   | SEAL           | 1   |            |                    |
| 12  | R33259   | O-RING         | 1   |            |                    |
| 13  | AH91607  | LINE           | 1   | -610100    |                    |
|     | AH116881 | LINE           | 1   | 610101-    |                    |
| 14  | H91298   | CLIP           | 1   |            |                    |
| 15  | R60170   | VALVE          | 2   |            |                    |
| 16  | R60172   | NUT            | 2   |            |                    |
| 17  | AT63266  | SWITCH         | 1   | 610101-    | LO PRESSURE SWITCH |
| ..  | PT94     | SEALANT        | 1   | -500000    | (SUB TY15130)      |
| ..  | TY15130  | SEALANT        | 1   |            |                    |

# 2E16

OPERATOR'S STATION

RP1528 -UN-01JAN94

KIT, O-RING - AIR CONDITIONING



RP1528

| KEY | PART NO. | PART NAME | QTY | SERIAL NO. | REMARKS |
|-----|----------|-----------|-----|------------|---------|
| 1   | AT66632  | KIT       | 1   |            |         |

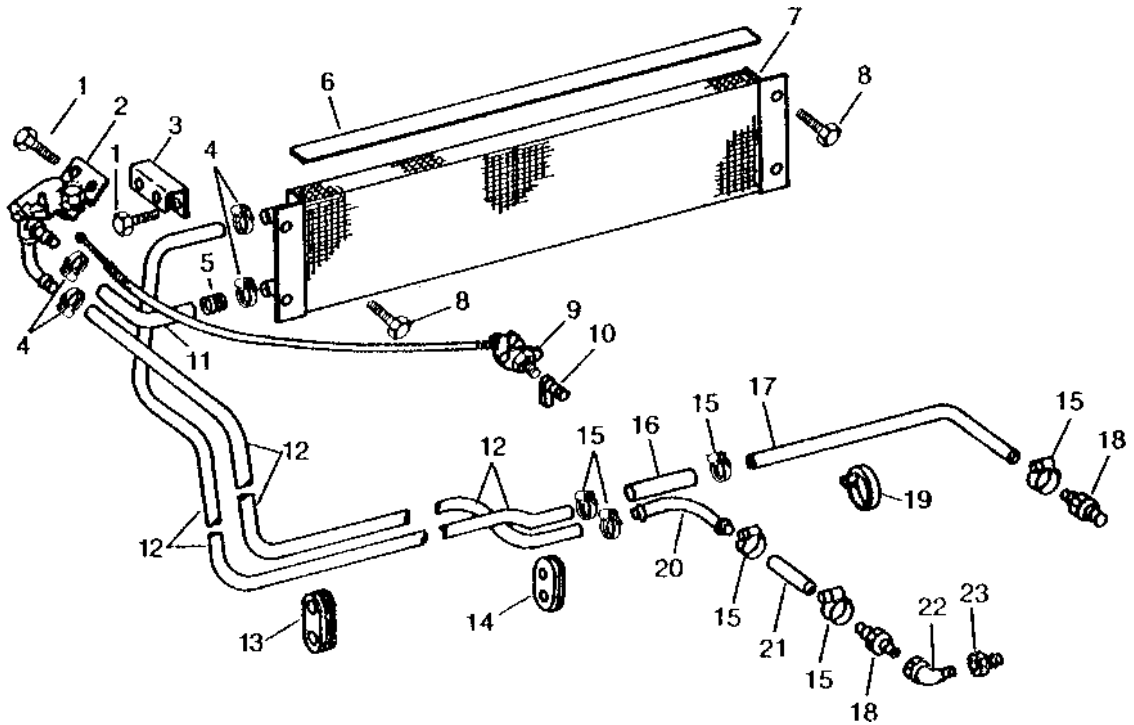


# 2E17

OPERATOR'S STATION

HP714 -UN-01JAN94

## HEATER AND HOSES



HP714

| KEY | PART NO. | PART NAME       | QTY | SERIAL NO. | REMARKS   |
|-----|----------|-----------------|-----|------------|---|
| 1   | 19H1919  | CAP SCREW       | 3   |            | 1/4" X 5/8"   |
| 2   | AH80166  | VALVE           | 1   |            |   |
| 3   | AH80164  | BRACKET         | 1   |            |   |
| 4   | AR21837  | CLAMP           | 8   | -400784    |   |
|     | AH105953 | CLAMP           | 4   | 400785-    |   |
| 5   | H82426   | GROMMET         | 1   |            |   |
| 6   | H81669   | WEATHERSTRIP    | 1   |            |   |
| 7   | AH80167  | HEATER          | 1   |            |   |
| 8   | 37H14    | SCREW           | 4   |            | NO. 10 X 1/2"   |
| 9   | AH80165  | PUSH PULL CABLE | 1   |            |   |
| 10  | AH91003  | KNOB            | 1   |            |   |
| 11  | H82425   | HOSE            | 1   |            | 16 MM X 140 MM (5/8" I.D. X 5-1/2") LONG                |
| 12  | H81011   | HOSE            | 2   |            | 16 MM X 3353 MM (5/8" I.D. X 132") LONG                 |
| 13  | H81001   | GROMMET         | 1   |            |   |
| 14  | H88890   | GROMMET         | 1   |            |   |
| 15  | AR21837  | CLAMP           | 6   |            |   |
| 16  | H81010   | BUSHING         | 2   | -450000    |   |
|     | H81010   | BUSHING         | 1   | 450001-    |   |
| 17  | .....    | HOSE            | 1   |            | 16 MM X 813 MM (5/8" I.D. X 32") LONG (CUT FROM R45847) |
| 18  | H23196   | FITTING         | 2   |            |   |
| 19  | H91298   | CLIP            | 1   |            |   |
| 20  | H106018  | TUBE            | 1   | 450001-    |   |
| 21  | R45847   | HOSE            | 1   |            | 16 MM X 711 MM (5/8" I.D. X 28") LONG                   |
| 22  | 15H200   | ELBOW FITTING   | 1   |            | 90°   |
| 23  | 15H515   | PIPE BUSHING    | 1   |            | 3/4" X 1/2"   |

MEMORANDA

---

FOR INDIVIDUAL HEADER PARTS CATALOGS REFER TO:

PC-1558 - PARTS CATALOG FOR JOHN DEERE 200 SERIES PLATFORMS

PC-1223 - PARTS CATALOG FOR JOHN DEERE 40 SERIES CORN HEADS

PC-1549 - PARTS CATALOG FOR JOHN DEERE 50 SERIES ROW-CROP HEADS

PC-1747 - PARTS CATALOG FOR JOHN DEERE 50A SERIES ROW-CROP HEADS

PC-1189 - PARTS CATALOG FOR JOHN DEERE THREE-ROLLER BELT PICKUPS

---

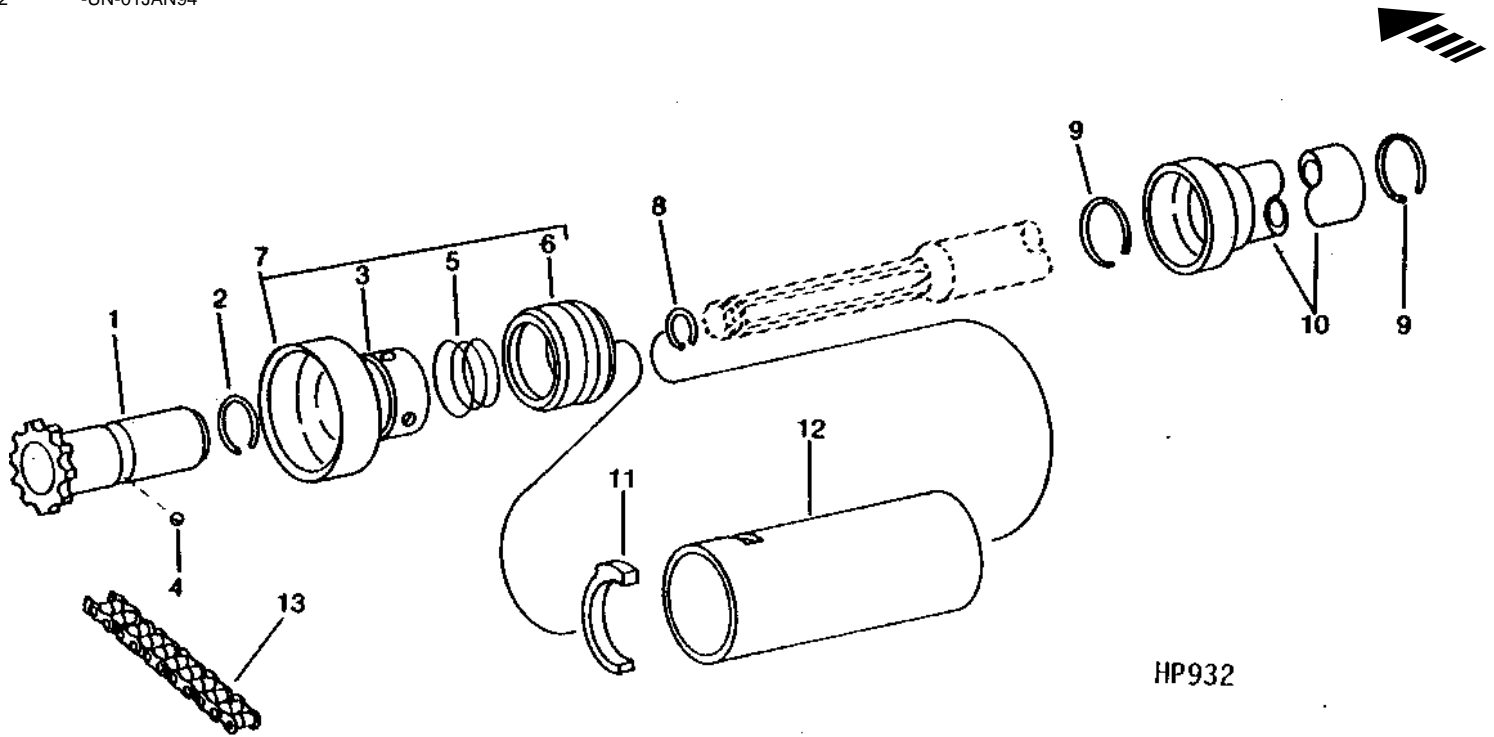
MEMORANDA

# 2E21

FEEDER HOUSE

HP932 -UN-01JAN94

## QUIK-TATCH COUPLER AND SHIELDS



HP932

| KEY | PART NO. | PART NAME               | QTY | SERIAL NO.         | REMARKS      |
|-----|----------|-------------------------|-----|--------------------|--------------|
| 1   | AN102382 | CHAIN SPROCKET          | 1   | 14 TEETH           |              |
| 2   | H25360   | SNAP RING               | 1   |                    |              |
| 3   | .....    | RETAINER                | 1   | (SUB AH89038)      |              |
| 4   | N104243  | BALL                    | 3   |                    |              |
| 5   | .....    | SPRING                  | 1   | (SUB AH89038)      |              |
| 6   | .....    | COVER                   | 1   | (SUB AH89038)      |              |
| 7   | AH89038  | QUIK COUPLER            | 1   |                    |              |
| 8   | H80926   | SNAP RING               | 1   |                    |              |
| 9   | H28865   | SNAP RING               | 2   |                    |              |
| 10  | .....    | SHIELD                  | 1   | (CUT FROM AH89028) |              |
| 11  | H22039   | UNIVERSAL JOINT BEARING | 2   | -400987            | (SUB E62951) |
|     | E62951   | UNIVERSAL JOINT BEARING | 2   |                    |              |
| 12  | H87725   | SHIELD                  | 1   |                    |              |
| 13  | AN102383 | LINK CHAIN              | 1   |                    |              |

NOTE: QUANTITIES SHOWN ARE FOR ONE COUPLER ASSEMBLY.

---

MEMORANDA

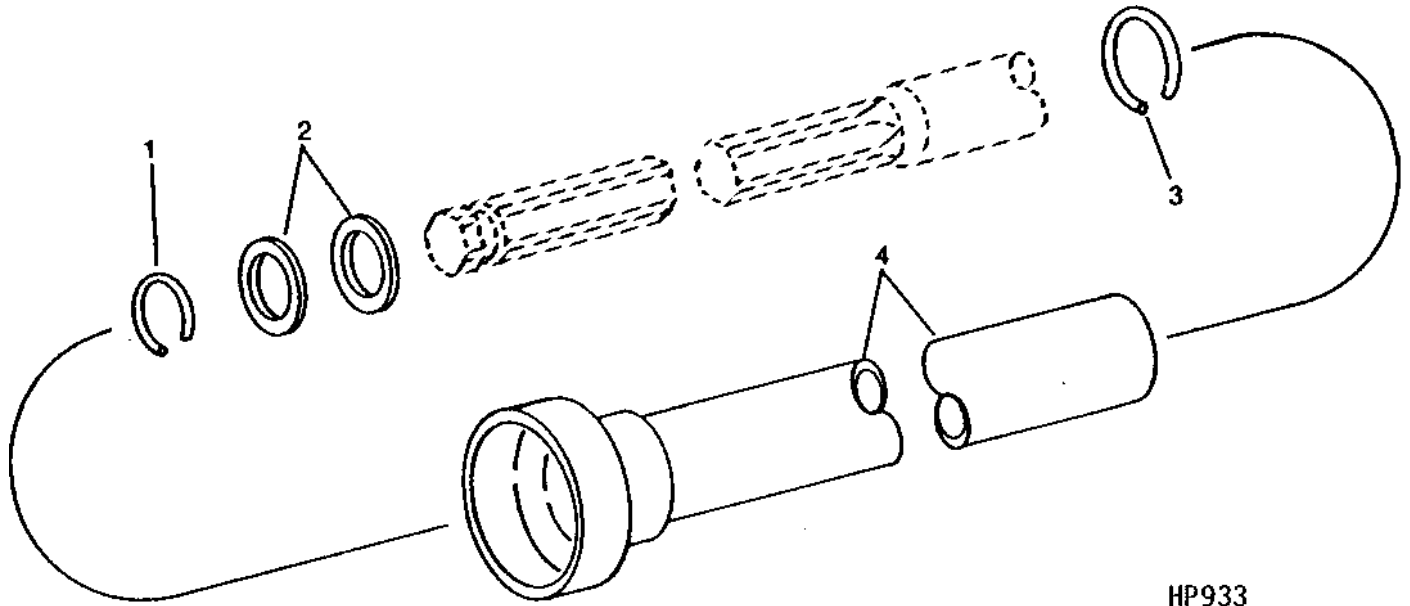
# 2E22

FEEDER HOUSE

HP933

-UN-01JAN94

## SPECIAL LEFT-HAND LOWER SHIELD



HP933

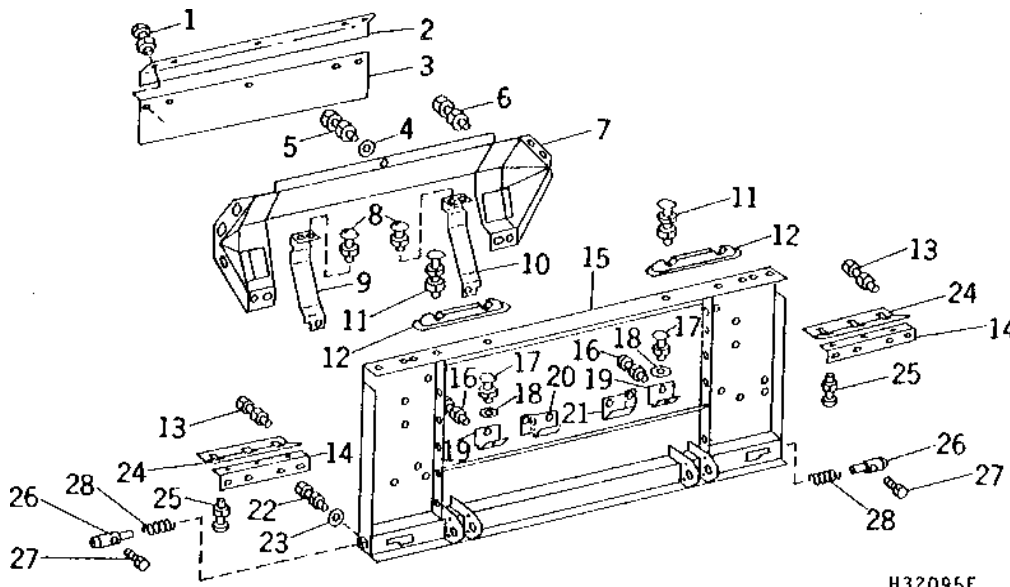
| KEY | PART NO. | PART NAME | QTY | SERIAL NO. | REMARKS |
|-----|----------|-----------|-----|------------|---------|
| 1   | P50419   | SNAP RING | 1   |            |         |
| 2   | 24H1633  | WASHER    | 2   |            |         |
| 3   | H28865   | SNAP RING | 1   |            |         |
| 4   | AH90527  | SHIELD    | 1   |            |         |

# 2E23

FEEDER HOUSE

## FEEDER HOUSE FRONT SHEETS

H32095F -UN-01JAN94



H32095F

| KEY | PART NO. | PART NAME   | QTY | SERIAL NO.               | REMARKS   |
|-----|----------|-------------|-----|--------------------------|---|
| 1   | 21H1030  | SCREW       | 5   | 3/8" X 3/4"              |   |
|     | N10215   | LOCK NUT    | 5   |                          |   |
| 2   | H83737   | STRIP       | 1   |                          |   |
| 3   | H83738   | DEFLECTOR   | 1   |                          |   |
| 4   | 24H1136  | WASHER      | 1   | 11/32" X 11/16" X 0.065" |   |
| 5   | 21H1304  | SCREW       | 6   | 5/16" X 3/4"             |   |
|     | 14H785   | NUT         | 6   | 5/16"                    |   |
| 6   | 21H1071  | SCREW       | 6   | 5/16" X 5/8"             |   |
|     | 14H785   | NUT         | 6   | 5/16"                    |   |
| 7   | AH84657  | SHIELD      | 1   |                          |   |
| 8   | 21H1116  | SCREW       | 6   | 3/8" X 5/8"              |   |
|     | N10215   | LOCK NUT    | 6   |                          |   |
| 9   | H83576   | EXTENSION   | 1   |                          | L.H. CONVEYOR SHIELD  |
| 10  | H83575   | EXTENSION   | 1   |                          | R.H. CONVEYOR SHIELD  |
| 11  | 03H1439  | BOLT        | 4   | 1/2" X 1-3/4"            |   |
|     | 12H301   | LOCK WASHER | 4   | 1/2"                     |   |
|     | 14H1040  | NUT         | 4   | 1/2"                     |   |
| 12  | H93556   | CLAMP       | 2   |                          |   |
| 13  | 21H1030  | SCREW       | 6   | 3/8" X 3/4"              |   |
|     | N10215   | LOCK NUT    | 6   |                          |   |
| 14  | H87762   | SUPPORT     | 2   |                          | STRIPPER  |
| 15  | AH95012  | SUPPORT     | 1   |                          | FRONT   |
| 16  | 21H1030  | SCREW       | 2   | 3/8" X 3/4"              |   |
|     | N10215   | LOCK NUT    | 2   |                          |   |
| 17  | 03H1519  | BOLT        | 2   | 3/8" X 1"                |   |
|     | 14H812   | NUT         | 2   | 3/8"                     |   |
| 18  | 24H1305  | WASHER      | 2   | 13/32" X 13/16" X 0.065" |   |
| 19  | H77628   | STRIP       | 2   |                          |   |
| 20  | H85936   | EXTENSION   | 1   |                          | L.H. CLOSURE STRIP  |
| 21  | H85935   | EXTENSION   | 1   |                          | R.H. CLOSURE STRIP  |
| 22  | 03H1499  | BOLT        | AR  |                          | 1/2" X 1-1/2", (3 USED, WITH CORN HEAD; 4 USED, WITH CUTTING PLATFORM)            |
|     | 12H301   | LOCK WASHER | AR  |                          | 1/2", (3 USED, WITH CORN HEAD; 4 USED, WITH CUTTING PLATFORM)                     |
|     | 14H1040  | NUT         | AR  |                          | 1/2", (3 USED, WITH CORN HEAD; 4 USED, WITH CUTTING PLATFORM)                     |
| 23  | 24H1850  | WASHER      | AR  |                          | 17/32" X 1-1/4" X 0.180", (3 USED, WITH CORN HEAD; 4 USED, WITH CUTTING PLATFORM) |



# 2E24

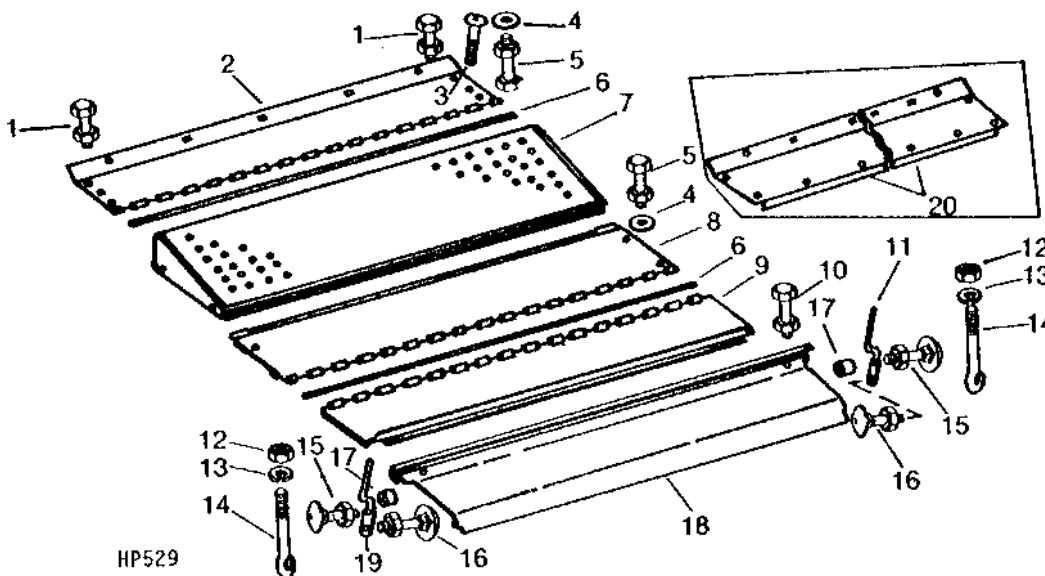
FEEDER HOUSE

## FEEDER HOUSE FRONT SHEETS - CONTINUED

| KEY | PART NO. | PART NAME | QTY | SERIAL NO.  | REMARKS |
|-----|----------|-----------|-----|-------------|---------|
| 24  | H87761   | STRIPPER  | 2   |             |         |
| 25  | 03H1765  | BOLT      | 6   | 3/8" X 3/4" |         |
|     | N10215   | LOCK NUT  | 1   |             |         |
| 26  | H89360   | PIN       | 2   |             |         |
| 27  | 19H3189  | CAP SCREW | 2   | 1/2" X 3"   |         |
| 28  | 124424   | SPRING    | 2   |             |         |

## FEEDER HOUSE TOP SHEETS

HP529 -UN-01JAN94



| KEY | PART NO. | PART NAME | QTY | SERIAL NO.               | REMARKS                                      |
|-----|----------|-----------|-----|--------------------------|--|
| 1   | 21H1304  | SCREW     | 2   | 5/16" X 3/4"             |  |
|     | 14H785   | NUT       | 2   | 5/16"                    |  |
| 2   | AH81163  | SHEET     | 1   | (REGULAR)                |  |
|     | H82699   | SHEET     | 1   | (LONG)                   |  |
| 3   | 21H1029  | SCREW     | 2   | -400784                  | 5/16" X 3/4", (SUB M66314, THIS APPLICATION) |
|     | M66314   | SCREW     | 2   |                          |  |
| 4   | 24H1136  | WASHER    | 10  | 11/32" X 11/16" X 0.065" |  |
| 5   | 19H1900  | CAP SCREW | 6   | 5/16" X 3/4"             |  |
|     | 14H785   | NUT       | 6   | 5/16"                    |  |
| 6   | H77578   | PIN       | 2   |                          |  |
| 7   | AH76285  | DOOR      | 1   |                          |  |
| 8   | AH76288  | SHEET     | 1   |                          |  |
| 9   | AH77690  | DOOR      | 1   |                          |  |
| 10  | 19H2021  | CAP SCREW | 2   | 3/8" X 5/8"              |  |
|     | 14H812   | NUT       | 2   | 3/8"                     |  |
| 11  | H78624   | LEVER     | 1   |                          |  |
| 12  | 14H611   | NUT       | 2   | 5/16"                    |  |
| 13  | N10213   | LOCK NUT  | 1   |                          |  |
| 14  | H76683   | EYEBOLT   | 2   |                          |  |
| 15  | 09H1696  | BOLT      | 2   | 5/16" X 1-1/4"           |  |
|     | H76696   | LOCK NUT  | 2   |                          |  |
| 16  | 03H1524  | BOLT      | 2   | 5/16" X 1"               |  |
|     | H76696   | LOCK NUT  | 2   |                          |  |
| 17  | H79784   | BUSHING   | 1   |                          |  |
| 18  | AH77688  | DOOR      | 1   | -550000                  |  |
|     | AH111190 | DOOR      | 1   | 550001-                  |  |
|     | H76701   | LEVER     | 1   |                          |  |
| 20  | H82700   | SUPPORT   | 1   | (LONG)                   |  |

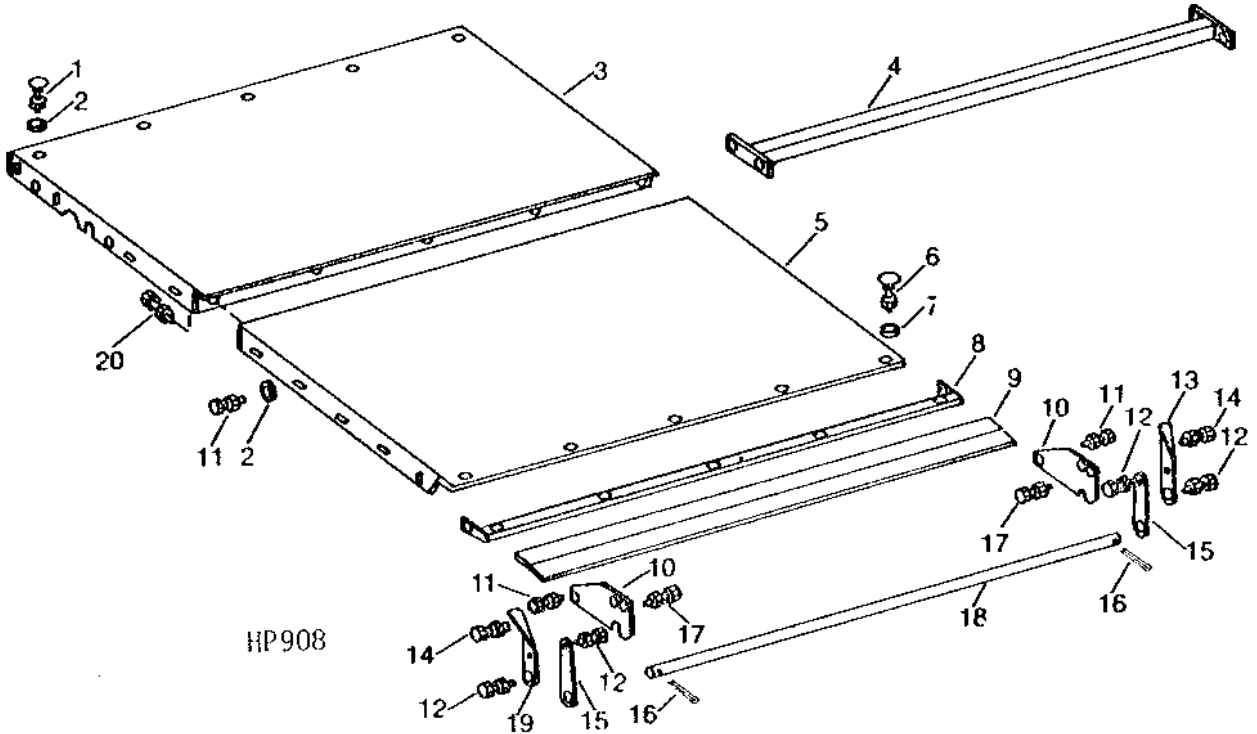
# 2E25

FEEDER HOUSE

HP908

-UN-01JAN94

## REGULAR FEEDER HOUSE BOTTOM SHEETS



HP908

| KEY | PART NO. | PART NAME     | QTY | SERIAL NO.               | REMARKS |
|-----|----------|---------------|-----|--------------------------|---------|
| 1   | 03H1519  | BOLT          | 6   | 3/8" X 1"                |         |
|     | 14H812   | NUT           | 6   | 3/8"                     |         |
| 2   | 24H1305  | WASHER        | 23  | 13/32" X 13/16" X 0.065" |         |
| 3   | AH83627  | SHEET         | 1   |                          |         |
| 4   | AH78881  | REINFORCEMENT | 2   |                          |         |
| 5   | AH83623  | SHEET         | 1   | PERFORATED               |         |
|     | AH83616  | SHEET         | 1   | SOLID                    |         |
| 6   | 09H1649  | BOLT          | 6   | 5/16" X 3/4"             |         |
|     | 14H785   | NUT           | 6   | 5/16"                    |         |
| 7   | 24H1652  | WASHER        | 5   | 13/32" X 11/16" X 7/64"  |         |
| 8   | AH80937  | REINFORCEMENT | 1   |                          |         |
| 9   | H98032   | COVER         | 1   |                          |         |
| 10  | H93170   | BRACKET       | 2   |                          |         |
| 11  | 19H1731  | CAP SCREW     | 8   | 3/8" X 1"                |         |
|     | 14H812   | NUT           | 8   | 3/8"                     |         |
| 12  | 21H1226  | SCREW         | 4   | 5/16" X 7/8"             |         |
|     | H76696   | LOCK NUT      | 4   |                          |         |
| 13  | H76690   | HANDLE        | 1   | R.H.                     |         |
| 14  | 19H1900  | CAP SCREW     | 2   | 5/16" X 3/4"             |         |
|     | 14H785   | NUT           | 2   | 5/16"                    |         |
| 15  | H93166   | LATCH         | 2   |                          |         |
| 16  | 11H224   | COTTER PIN    | 2   | 1/8" X 1-1/4"            |         |
| 17  | 03H1463  | BOLT          | 2   | 3/8" X 3/4"              |         |
|     | 14H812   | NUT           | 2   | 3/8"                     |         |
| 18  | H99878   | TUBE          | 1   |                          |         |
| 19  | H76700   | HANDLE        | 1   | L.H.                     |         |
| 20  | 03H1765  | BOLT          | 5   | 3/8" X 3/4"              |         |
|     | 12H304   | LOCK WASHER   | 5   | 3/8"                     |         |
|     | 14H812   | NUT           | 5   | 3/8"                     |         |

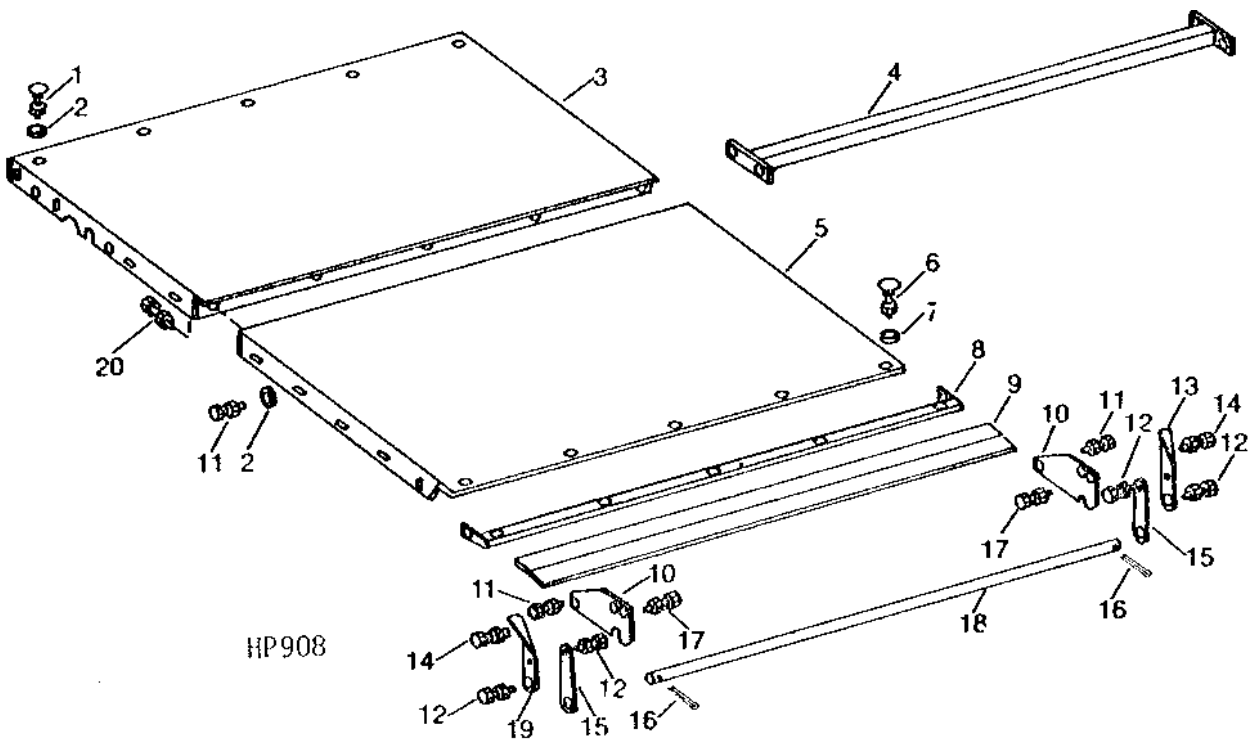
# 2F1

FEEDER HOUSE

HP908

-UN-01JAN94

## LONG FEEDER HOUSE BOTTOM SHEETS



HP908

| KEY | PART NO. | PART NAME     | QTY | SERIAL NO.               | REMARKS |
|-----|----------|---------------|-----|--------------------------|---------|
| 1   | 03H1519  | BOLT          | 6   | 3/8" X 1"                |         |
|     | 14H812   | NUT           | 6   | 3/8"                     |         |
| 2   | 24H1305  | WASHER        | 23  | 13/32" X 13/16" X 0.065" |         |
| 3   | AH83628  | SHEET         | 1   |                          |         |
| 4   | AH78881  | REINFORCEMENT | 2   |                          |         |
| 5   | AH83617  | SHEET         | 1   | SOLID                    |         |
|     | AH83631  | SHEET         | 1   | PERFORATED               |         |
| 6   | 09H1649  | BOLT          | 6   | 5/16" X 3/4"             |         |
|     | 14H785   | NUT           | 6   | 5/16"                    |         |
| 7   | 24H1652  | WASHER        | 5   | 13/32" X 11/16" X 7/64"  |         |
| 8   | AH80937  | REINFORCEMENT | 1   |                          |         |
| 9   | H98032   | COVER         | 1   |                          |         |
| 10  | H93170   | BRACKET       | 2   |                          |         |
| 11  | 19H1731  | CAP SCREW     | 8   | 3/8" X 1"                |         |
|     | 14H812   | NUT           | 8   | 3/8"                     |         |
| 12  | 21H1226  | SCREW         | 4   | 5/16" X 7/8"             |         |
|     | H76696   | LOCK NUT      | 4   |                          |         |
| 13  | H76690   | HANDLE        | 1   | R.H.                     |         |
| 14  | 19H1900  | CAP SCREW     | 2   | 5/16" X 3/4"             |         |
|     | 14H785   | NUT           | 2   | 5/16"                    |         |
| 15  | H93166   | LATCH         | 2   |                          |         |
| 16  | 11H224   | COTTER PIN    | 2   | 1/8" X 1-1/4"            |         |
| 17  | 03H1463  | BOLT          | 2   | 3/8" X 3/4"              |         |
|     | 14H812   | NUT           | 2   | 3/8"                     |         |
| 18  | H99878   | TUBE          | 1   |                          |         |
| 19  | H76700   | HANDLE        | 1   | L.H.                     |         |
| 20  | 03H1765  | BOLT          | 5   | 3/8" X 3/4"              |         |
|     | 12H304   | LOCK WASHER   | 5   | 3/8"                     |         |
|     | 14H812   | NUT           | 5   | 3/8"                     |         |

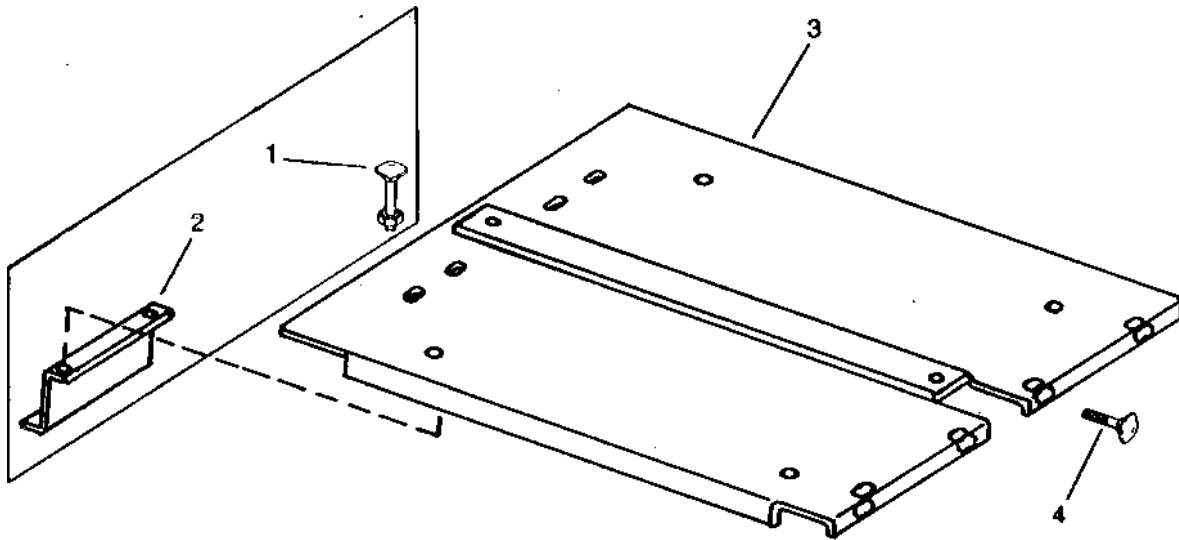
---

MEMORANDA

# 2F2

HP1679 -UN-01JAN94

## FEEDER HOUSE FALSE BOTTOM



HP1679

| KEY | PART NO. | PART NAME   | QTY | SERIAL NO. | REMARKS                        |
|-----|----------|-------------|-----|------------|--------------------------------|
| 1   | 21H1024  | SCREW       | 4   | -550000    | 1/4" X 5/8"                    |
|     | 12H302   | LOCK WASHER | 4   | -550000    | 1/4"                           |
|     | 14H786   | NUT         | 4   | -550000    | 1/4"                           |
| 2   | H104954  | CLAMP       | 2   | -550000    |                                |
| 3   | AH89516  | PLATE       | 1   | -550000    | (REGULAR, VARIABLE, AND CHAIN) |
|     | AH111504 | BOTTOM      | 1   | 550001-    | (REGULAR, VARIABLE)            |
|     | AH89518  | PLATE       | 1   | -550000    | (LONG, VARIABLE, AND CHAIN)    |
| 4   | AH111178 | BOTTOM      | 1   | 550001-    | (LONG, VARIABLE, AND CHAIN)    |
|     | H65108   | SCREW       | 4   |            |                                |

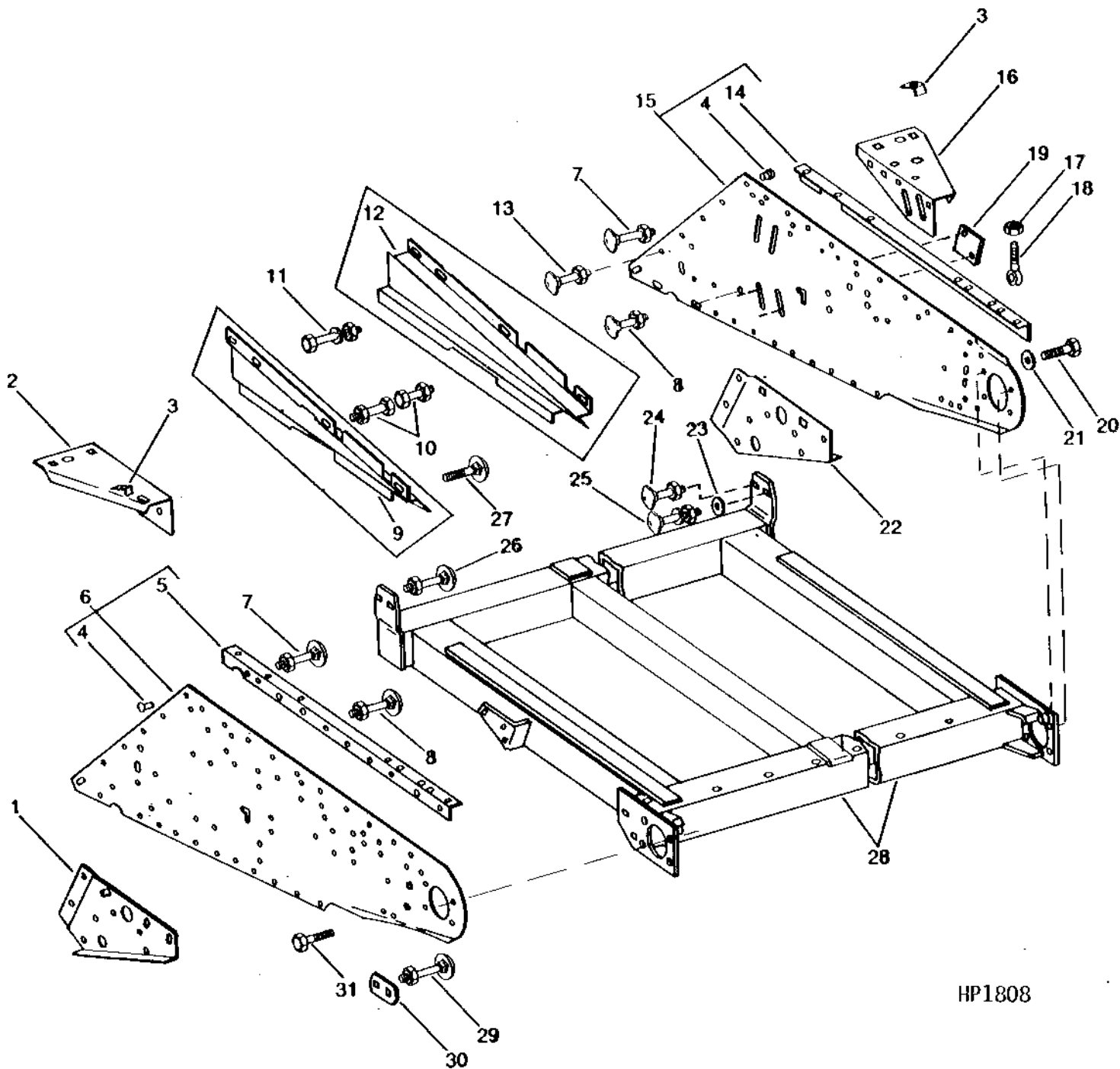
# 2F3

FEEDER HOUSE

HP1808

-UN-01JAN94

## REGULAR FEEDER HOUSE SIDE SHEETS AND FRAME



HP1808

# 2F4

FEEDER HOUSE

## REGULAR FEEDER HOUSE SIDE SHEETS AND FRAME - CONTINUED

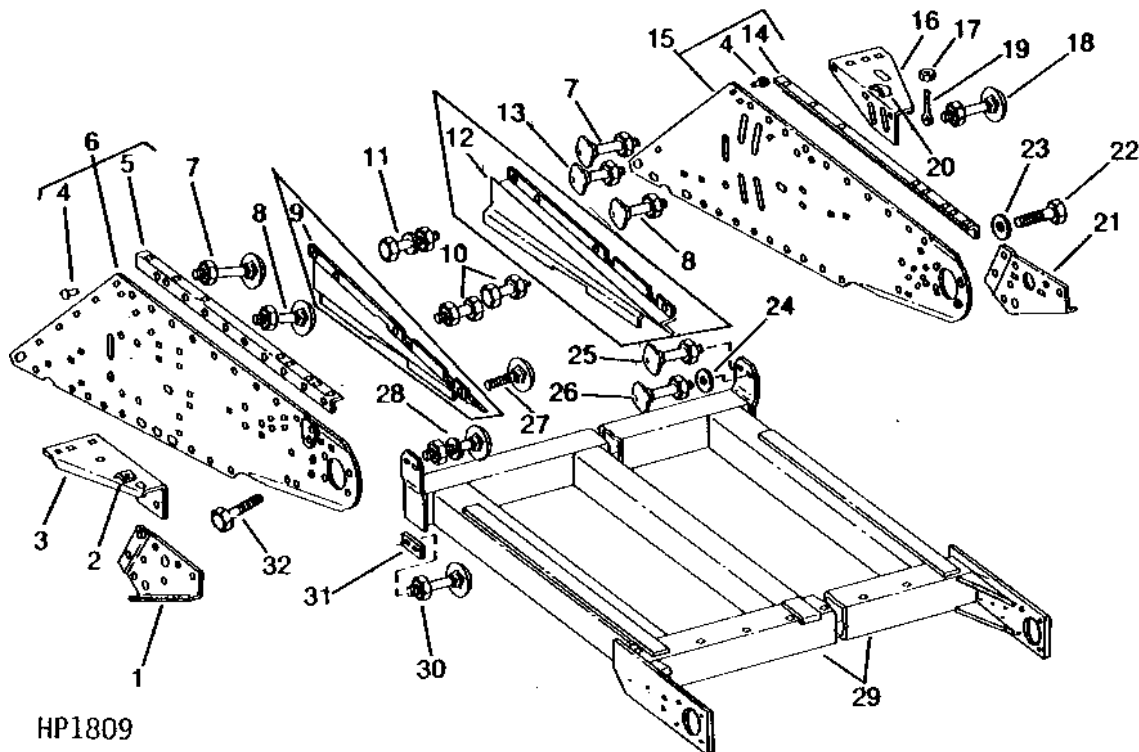
| KEY | PART NO. | PART NAME     | QTY | SERIAL NO.    | REMARKS   |
|-----|----------|---------------|-----|---------------|---|
| 1   | H100207  | REINFORCEMENT | 1   |               |   |
| 2   | H102681  | BRACE         | 1   |               |   |
| 3   | H88767   | SPACER        | 2   |               |   |
| 4   | 16H658   | RIVET         | 14  |               | 1/4" X 5/8"   |
|     | 16H697   | RIVET         | 2   |               | 1/4" X 1"   |
| 5   | H78273   | FLANGE        | 1   |               |   |
| 6   | AH102725 | SHEET         | 1   | -550000       |   |
|     | AH111651 | SHEET         | 1   | 550001-610100 |   |
|     | AH115063 | SHEET         | 1   | 610101-       |   |
| 7   | 03H1519  | BOLT          | 3   |               | 3/8" X 1"   |
|     | 14H812   | NUT           | 3   |               | 3/8"  |
| 8   | 03H1709  | BOLT          | 3   |               | 5/16" X 1"  |
|     | 14H785   | NUT           | 3   |               | 5/16"   |
| 9   | H101755  | SHIELD        | 1   | -550000       |   |
| 10  | 21H1304  | SCREW         | 2   |               | 5/16" X 3/4"  |
|     | 14H785   | NUT           | 2   |               | 5/16"   |
| 11  | 21H1030  | SCREW         | 4   |               | 3/8" X 3/4"   |
|     | 12H304   | LOCK WASHER   | 4   |               | 3/8"  |
|     | 14H812   | NUT           | 4   |               | 3/8"  |
| 12  | H101754  | SHIELD        | 1   | -550000       |   |
| 13  | 03H1463  | BOLT          | 3   |               | 3/8" X 3/4"   |
|     | 14H812   | NUT           | 3   |               | 3/8"  |
| 14  | H78274   | FLANGE        | 1   |               |   |
| 15  | AH102724 | SHEET         | 1   | -550000       | (USE WITH H101795) (SUB AH111668, THIS APPLICATION) |
|     | AH111668 | SHEET         | 1   |               | (USE WITH H101795)                                  |
| 16  | H102680  | BRACE         | 1   |               |   |
| 17  | 14H1039  | NUT           | 1   |               | 5/8"  |
| 18  | H102690  | EYEBOLT       | 1   |               |   |
| 19  | H101795  | PLATE         | 1   |               |   |
| 20  | 19H1895  | CAP SCREW     | 2   | 550001-       | 1/2" X 3/4"   |
| 21  | 24H1111  | WASHER        | 2   | 550001-       | 17/32" X 1-1/16" X 0.090"                           |
| 22  | H100206  | REINFORCEMENT | 1   |               |   |
| 23  | 24H1371  | WASHER        | 1   |               | 21/32" X 1-3/8" X 0.194"                            |
| 24  | 03H1603  | BOLT          | 1   |               | 5/8" X 2"   |
|     | 12H294   | LOCK WASHER   | 1   |               | 5/8"  |
|     | 14H1039  | NUT           | 1   |               | 5/8"  |
| 25  | 03H1801  | BOLT          | 1   |               | 5/8" X 1-3/4"                                       |
|     | 12H294   | LOCK WASHER   | 1   |               | 5/8"  |
|     | 14H1039  | NUT           | 1   |               | 5/8"  |
| 26  | 03H1801  | BOLT          | 2   |               | 5/8" X 1-3/4"                                       |
|     | 12H294   | LOCK WASHER   | 2   |               | 5/8"  |
|     | 14H1039  | NUT           | 2   |               | 5/8"  |
| 27  | 21H1030  | SCREW         | 1   | -500000       | 3/8" X 3/4"   |
|     | 21H1139  | SCREW         | 1   | 500001-       | 3/8" X 1-1/4"                                       |
|     | 12H304   | LOCK WASHER   | 1   |               | 3/8"  |
|     | 14H812   | NUT           | 1   |               | 3/8"  |
| 28  | AH101370 | FRAME         | 1   | -550000       |   |
|     | AH111497 | FRAME         | 1   | 550001-       |   |
| 29  | 03H1522  | BOLT          | 1   |               | 1/2" X 1-1/4"                                       |
|     | 12H301   | LOCK WASHER   | 1   |               | 1/2"  |
|     | 14H1040  | NUT           | 1   |               | 1/2"  |
| 30  | H101814  | STRAP         | 1   |               |   |
| 31  | 19H1792  | CAP SCREW     | 2   | 550001-       | 1/2" X 1"   |

# 2F5

FEEDER HOUSE

HP1809 -UN-01JAN94

## LONG FEEDER HOUSE SIDE SHEETS AND FRAME



HP1809

| KEY | PART NO. | PART NAME     | QTY | SERIAL NO.    | REMARKS                   |
|-----|----------|---------------|-----|---------------|---------------------------|
| 1   | H101718  | REINFORCEMENT | 1   |               |                           |
| 2   | H88767   | SPACER        | 1   |               |                           |
| 3   | H102713  | BRACE         | 1   |               |                           |
| 4   | 16H658   | RIVET         | 16  |               | 1/4" X 5/8"               |
|     | 16H697   | RIVET         | 2   |               | 1/4" X 1"                 |
| 5   | H98043   | ANGLE         | 1   |               |                           |
| 6   | AH102726 | SHEET         | 1   | -450000       | (SUB AH105293)            |
|     | AH105293 | SHEET         | 1   | -550000       |                           |
|     | AH111701 | SHEET         | 1   | 550001-610100 |                           |
|     | AH117526 | SHEET         | 1   | 610101-       | L.H.                      |
| 7   | 03H1519  | BOLT          | 3   |               | 3/8" X 1"                 |
|     | 14H812   | NUT           | 3   |               | 3/8"                      |
| 8   | 03H1709  | BOLT          | 3   |               | 5/16" X 1"                |
|     | 14H785   | NUT           | 3   |               | 5/16"                     |
| 9   | H83824   | SHIELD        | 1   | -550000       |                           |
| 10  | 21H1304  | SCREW         | 2   |               | 5/16" X 3/4"              |
|     | 14H785   | NUT           | 2   |               | 5/16"                     |
| 11  | 21H1029  | SCREW         | 4   |               | 5/16" X 3/4"              |
|     | 12H303   | LOCK WASHER   | 4   |               | 5/16"                     |
|     | 14H785   | NUT           | 4   |               | 5/16"                     |
| 12  | H83823   | SHIELD        | 1   | -550000       |                           |
| 13  | 03H1463  | BOLT          | 3   |               | 3/8" X 3/4"               |
|     | 14H812   | NUT           | 3   |               | 3/8"                      |
| 14  | H98042   | ANGLE         | 1   |               |                           |
| 15  | AH101608 | SHEET         | 1   | -450000       | (SUB AH105292)            |
|     | AH105292 | SHEET         | 1   | -550000       |                           |
|     | AH111700 | SHEET         | 1   | 550001-610000 |                           |
|     | AH117525 | SHEET         | 1   | 610101-       | R.H.                      |
| 16  | H102678  | BRACE         | 1   |               |                           |
| 17  | 14H1039  | NUT           | 1   |               | 5/8"                      |
| 18  | 03H1603  | BOLT          | 1   |               | 5/8" X 2"                 |
|     | 12H294   | LOCK WASHER   | 1   |               | 5/8"                      |
|     | 14H1039  | NUT           | 1   |               | 5/8"                      |
| 19  | H102690  | EYEBOLT       | 1   |               |                           |
| 20  | H102691  | SPACER        | 1   |               |                           |
| 21  | H101717  | REINFORCEMENT | 1   |               |                           |
| 22  | 19H1895  | CAP SCREW     | 2   | 550001-       | 1/2" X 3/4"               |
| 23  | 24H1111  | WASHER        | 2   | 550001-       | 17/32" X 1-1/16" X 0.090" |

THIS PARTS LISTING IS CONTINUED



# 2F6

FEEDER HOUSE

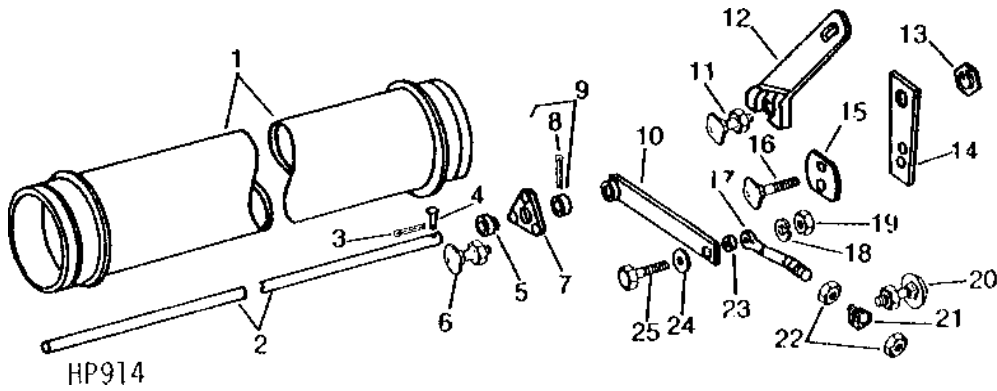
## LONG FEEDER HOUSE SIDE SHEETS AND FRAME - CONTINUED

| KEY | PART NO. | PART NAME   | QTY | SERIAL NO. | REMARKS                  |
|-----|----------|-------------|-----|------------|--------------------------|
| 24  | 24H1371  | WASHER      | 1   |            | 21/32" X 1-3/8" X 0.194" |
| 25  | 03H1603  | BOLT        | 1   |            | 5/8" X 2"                |
|     | 12H294   | LOCK WASHER | 1   |            | 5/8"                     |
|     | 14H1039  | NUT         | 1   |            | 5/8"                     |
| 26  | 03H1801  | BOLT        | 1   |            | 5/8" X 1-3/4"            |
|     | 12H294   | LOCK WASHER | 1   |            | 5/8"                     |
|     | 14H1039  | NUT         | 1   |            | 5/8"                     |
| 27  | 21H1137  | SCREW       | 1   | -500000    | 5/16" X 1-1/4"           |
|     | 21H1235  | SCREW       | 1   | 500001-    | 5/16" X 1-3/4"           |
| 28  | 03H1801  | BOLT        | 2   |            | 5/8" X 1-3/4"            |
|     | 12H294   | LOCK WASHER | 2   |            | 5/8"                     |
|     | 14H1039  | NUT         | 2   |            | 5/8"                     |
| 29  | AH101149 | FRAME       | 1   | -550000    |                          |
|     | AH111148 | FRAME       | 1   | 550001-    |                          |
| 30  | 03H1522  | BOLT        | 2   |            | 1/2" X 1-1/4"            |
|     | 12H301   | LOCK WASHER | 2   |            | 1/2"                     |
|     | 14H1040  | NUT         | 2   |            | 1/2"                     |
| 31  | H102882  | PLATE       | 1   |            |                          |
| 32  | 19H1792  | CAP SCREW   | 2   | 550001-    | 1/2" X 1"                |

# 2F7

HP914 -UN-01JAN94

## FEEDER CONVEYOR IDLER SHAFT AND FEEDER DRUM



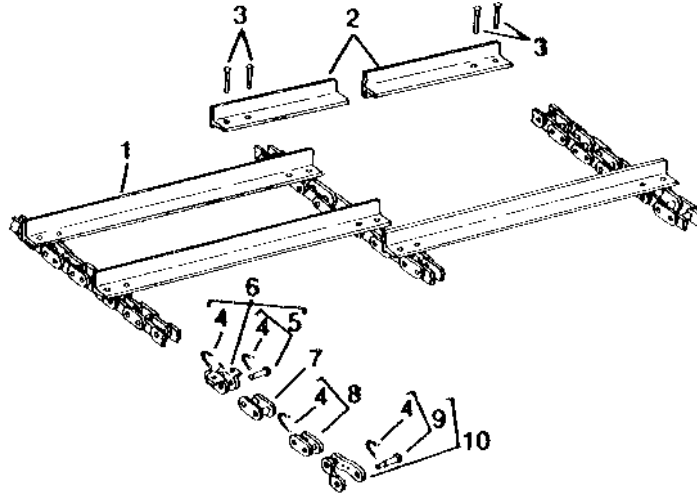
| KEY | PART NO. | PART NAME                | QTY | SERIAL NO. | REMARKS                         |
|-----|----------|--------------------------|-----|------------|---------------------------------|
| 1   | AH76375  | DRUM                     | 1   | -500001    |                                 |
|     | AH108852 | DRUM                     | 1   | 500002-    |                                 |
| 2   | H77751   | PIN                      | 1   |            |                                 |
| 3   | 11H211   | COTTER PIN               | 2   |            | 1/8" X 3/4"                     |
| 4   | H81710   | PIN                      | 2   |            |                                 |
| 5   | JD8665   | BALL BEARING             | 2   |            |                                 |
| 6   | 03H1500  | BOLT                     | 6   | -500001    | 3/8" X 1"                       |
|     | 14H812   | NUT                      | 6   | -500001    | 3/8"                            |
|     | 19H1731  | CAP SCREW                | 6   | 500002-    | 3/8" X 1"                       |
|     | 12H304   | LOCK WASHER              | 6   | 500002-    | 3/8"                            |
|     | 14H812   | NUT                      | 6   | 500002-    | 3/8"                            |
| 7   | H80806   | HOUSING                  | 2   |            |                                 |
| 8   | 22H897   | SET SCREW                | 2   |            | 1/4" X 1/4"                     |
| 9   | JD8554   | ECCENTRIC LOCKING COLLAR | 2   |            |                                 |
| 10  | AH79728  | ARM                      | 2   | -610100    |                                 |
|     | AH116698 | ARM                      | 2   | 610101-    |                                 |
| 11  | 03H1439  | BOLT                     | 2   |            | 1/2" X 1-3/4"                   |
|     | 12H301   | LOCK WASHER              | 2   |            | 1/2"                            |
|     | 14H1040  | NUT                      | 2   |            | 1/2"                            |
| 12  | H84945   | STOP                     | 1   |            | R.H.                            |
|     | H84946   | STOP                     | 1   |            | L.H.                            |
| 13  | H97322   | CAM                      | 2   |            |                                 |
| 14  | H84942   | PLATE                    | 2   |            |                                 |
| 15  | H84944   | STOP                     | 2   |            |                                 |
| 16  | H84943   | BOLT                     | 2   |            | SPECIAL                         |
| 17  | H76694   | EYEBOLT                  | 2   | -610100    | (SUB H118582, THIS APPLICATION) |
|     | H118582  | EYEBOLT                  | 2   |            |                                 |
| 18  | 12H301   | LOCK WASHER              | 2   |            | 1/2"                            |
| 19  | 14H1040  | NUT                      | 2   |            | 1/2"                            |
| 20  | 03H1540  | BOLT                     | 4   |            | 5/16" X 3/4"                    |
|     | 14H785   | NUT                      | 4   |            | 5/16"                           |
| 21  | H81074   | CLIP                     | 2   |            |                                 |
| 22  | 14H1039  | NUT                      | 4   |            | 5/8"                            |
| 23  | H81277   | BUSHING                  | 2   |            |                                 |
| 24  | 24H1162  | WASHER                   | 4   |            | 17/32" X 1-1/4" X 0.060"        |
| 25  | H31381   | BOLT                     | 2   |            |                                 |

# 2F8

FEEDER HOUSE

HP1228 -UN-01JAN94

## FEEDER CONVEYOR CHAIN



### HP1228

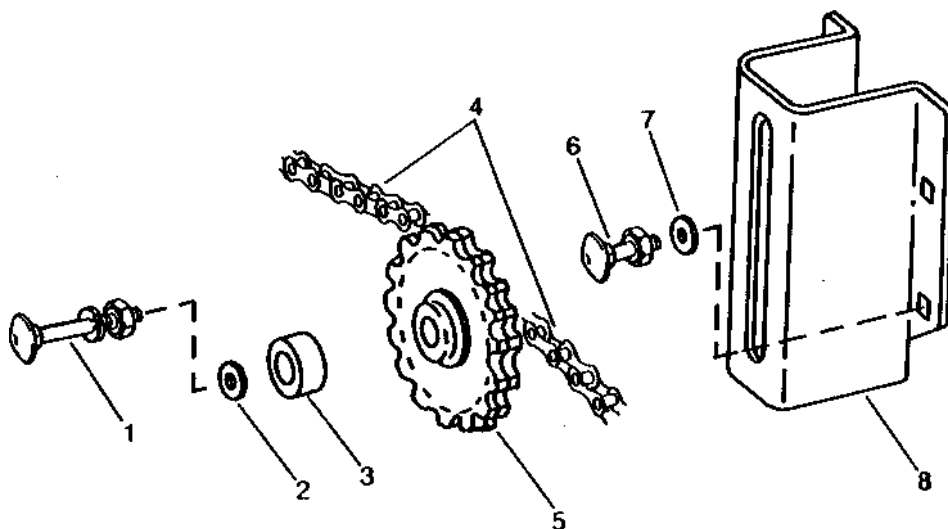
| KEY | PART NO. | PART NAME  | QTY  | SERIAL NO.    | REMARKS                                    |                                   |
|-----|----------|------------|------|---------------|--|-----------------------------------|
| 1   | AH86860  | CONVEYOR   | 1    | -450000       | (REGULAR) (SUB AH96284)                    |                                   |
|     | AH96284  | CONVEYOR   | 1    | -550000       | 24 H97615 "T" SLATS, (REGULAR)             |                                   |
|     | AH112321 | CONVEYOR   | 1    | 550001-610100 | (SUB AH116711, (3) AH84241 AND (3) C10233) |                                   |
|     | AH116711 | CONVEYOR   | 1    | -610550       | (SUB AH123532)                             |                                   |
|     | AH123532 | CONVEYOR   | 1    |               | (REGULAR)                                  |                                   |
|     | AH86861  | CONVEYOR   | 1    | -450000       | (SUB AH96295)                              |                                   |
|     | AH96295  | CONVEYOR   | 1    | -550000       | 28 H97615 "T" SLATS (LONG) (SUB AH112322)  |                                   |
|     | AH112322 | CONVEYOR   | 1    | -610100       | (SUB AH116712, (3) AH84241 AND (3) C10233) |                                   |
|     | AH116712 | CONVEYOR   | 1    | -610550       | (SUB AH123533)                             |                                   |
|     | AH123533 | CONVEYOR   | 1    |               | (LONG)                                     |                                   |
|     | 2        | H85894     | SLAT | AR            | -450000                                    | (37 USED, REGULAR; 42 USED, LONG) |
|     |          | H97615     | SLAT | AR            | 450001-550000                              | (24 USED, REGULAR; 28 USED, LONG) |
|     | H85894   | SLAT       | AR   | 550001-610550 | (24 USED, REGULAR; 28 USED, LONG)          |                                   |
|     | H85894   | SLAT       | AR   | 610551-       | (37 USED, REGULAR; 42 USED, LONG)          |                                   |
| 3   | 16H1083  | RIVET      | AR   |               | 5/16" X 5/8", (4 USED PER SLAT)            |                                   |
| 4   | H84026   | HOOK       | 1    |               |  |                                   |
| 5   | AC14974  | PIN        | 1    | -450000       |  |                                   |
| 6   | AH18582  | CHAIN LINK | 1    | -450000       | (CORN)                                     |                                   |
|     | AH83426  | CHAIN LINK | 1    | -450000       | (5/16" RIVET) (CORN)                       |                                   |
|     | AH83426  | CHAIN LINK | 1    | -450000       | (5/16" RIVET) (GRAIN)                      |                                   |
|     | AH18582  | CHAIN LINK | 1    | -450000       | (1/4" RIVET) (RICE)                        |                                   |
|     | AH110740 | CHAIN LINK | 1    | 450001-550000 |  |                                   |
|     | AH83426  | CHAIN LINK | 1    | 550001-       |  |                                   |
|     | C10232   | LINK       | 1    |               | ROLLER                                     |                                   |
| 8   | AH84241  | CHAIN LINK | 1    |               | COUPLER                                    |                                   |
| 9   | AC11779  | PIN        | 1    |               | OFFSET LINK, WITH COTTER PIN               |                                   |
| 10  | C10233   | CHAIN LINK | 1    |               | OFFSET                                     |                                   |

# 2F9

FEEDER HOUSE

## FEEDER CONVEYOR CHAIN DRIVE TIGHTENER ON RIGHT-HAND SIDE OF FEEDER HOUSE

HP1683 -UN-01JAN94



HP1683

| KEY | PART NO. | PART NAME      | QTY | SERIAL NO. | REMARKS   |
|-----|----------|----------------|-----|------------|---|
| 1   | 03H2113  | BOLT           | 1   |            | 1/2" X 2"   |
|     | 14H1040  | NUT            | 1   |            | 1/2"  |
|     | 12H301   | LOCK WASHER    | 1   |            | 1/2"  |
| 2   | 24H1662  | WASHER         | 1   |            | 49/64" X 1-1/2" X 0.075"  |
| 3   | 28H1596  | WASHER         | 1   |            | 0.546" X 0.840" X 5/16"   |
| 4   | .....    | LINK CHAIN     | 1   |            | DRIVE, ROLLER, TYPE 50, 16 MM (5/8") PITCH,<br>225 LINKS (ASSEMBLE FROM (4) AP6093H AND<br>AP6094H) |
| 5   | AH98176  | CHAIN SPROCKET | 1   |            |   |
| 6   | 03H1463  | BOLT           | 4   | -550000    | 3/8" X 3/4"   |
|     | 14H812   | NUT            | 4   | -550000    | 3/8"  |
|     | 19H1731  | CAP SCREW      | 3   | 550001-    | 3/8" X 1"   |
|     | 12H304   | LOCK WASHER    | 3   | 550001-    | 3/8"  |
|     | 14H812   | NUT            | 3   | 550001-    | 3/8"  |
| 7   | 24H1305  | WASHER         | 3   | 550001-    | 13/32" X 13/16" X 0.065"  |
| 8   | H77964   | BRACKET        | 1   | -550000    |   |
|     | H98332   | BRACKET        | 1   | 550001-    |   |

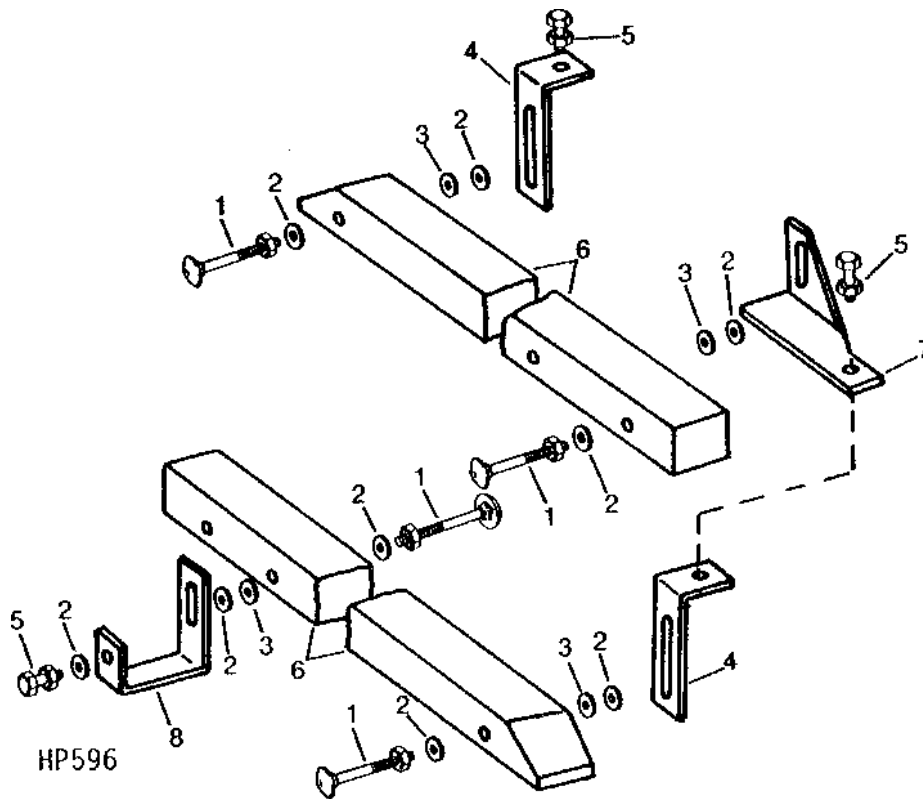
# 2F10

FEEDER HOUSE

HP596

-UN-01JAN94

## FEEDER CONVEYOR DRIVE CHAIN GUIDES (REGULAR)



| KEY | PART NO. | PART NAME   | QTY | SERIAL NO.                 | REMARKS |
|-----|----------|-------------|-----|----------------------------|---------|
| 1   | 19H1944  | CAP SCREW   | 4   | 3/8" X 2-3/4"              |         |
|     | 12H304   | LOCK WASHER | 4   | 3/8"                       |         |
|     | 14H812   | NUT         | 4   | 3/8"                       |         |
| 2   | 24H1305  | WASHER      | 9   | 13/32" X 13/16" X 0.065"   |         |
|     | 24H1308  | WASHER      | 4   | 13/32" X 1" X 0.134"       |         |
| 4   | H80843   | ANGLE       | 2   | UPPER REAR AND LOWER FRONT |         |
| 5   | 19H1732  | CAP SCREW   | 3   | 3/8" X 1-1/4"              |         |
|     | 12H304   | LOCK WASHER | 3   | 3/8"                       |         |
|     | 14H812   | NUT         | 3   | 3/8"                       |         |
| 6   | H80838   | GUIDE       | 2   |                            |         |
| 7   | H80840   | BRACKET     | 1   | UPPER FRONT                |         |
| 8   | H82510   | BRACKET     | 1   | LOWER REAR                 |         |

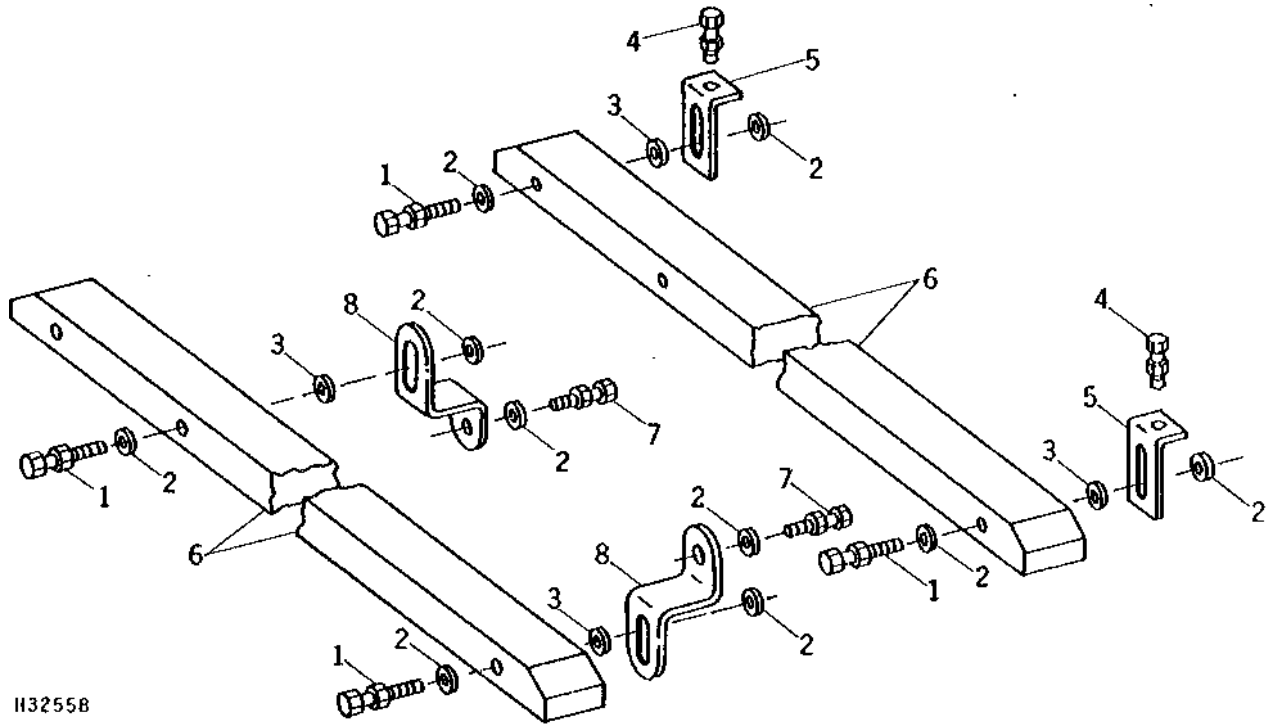
# 2F11

FEEDER HOUSE

H32558

-UN-01JAN94

## FEEDER CONVEYOR DRIVE CHAIN GUIDES (LONG)



H32558

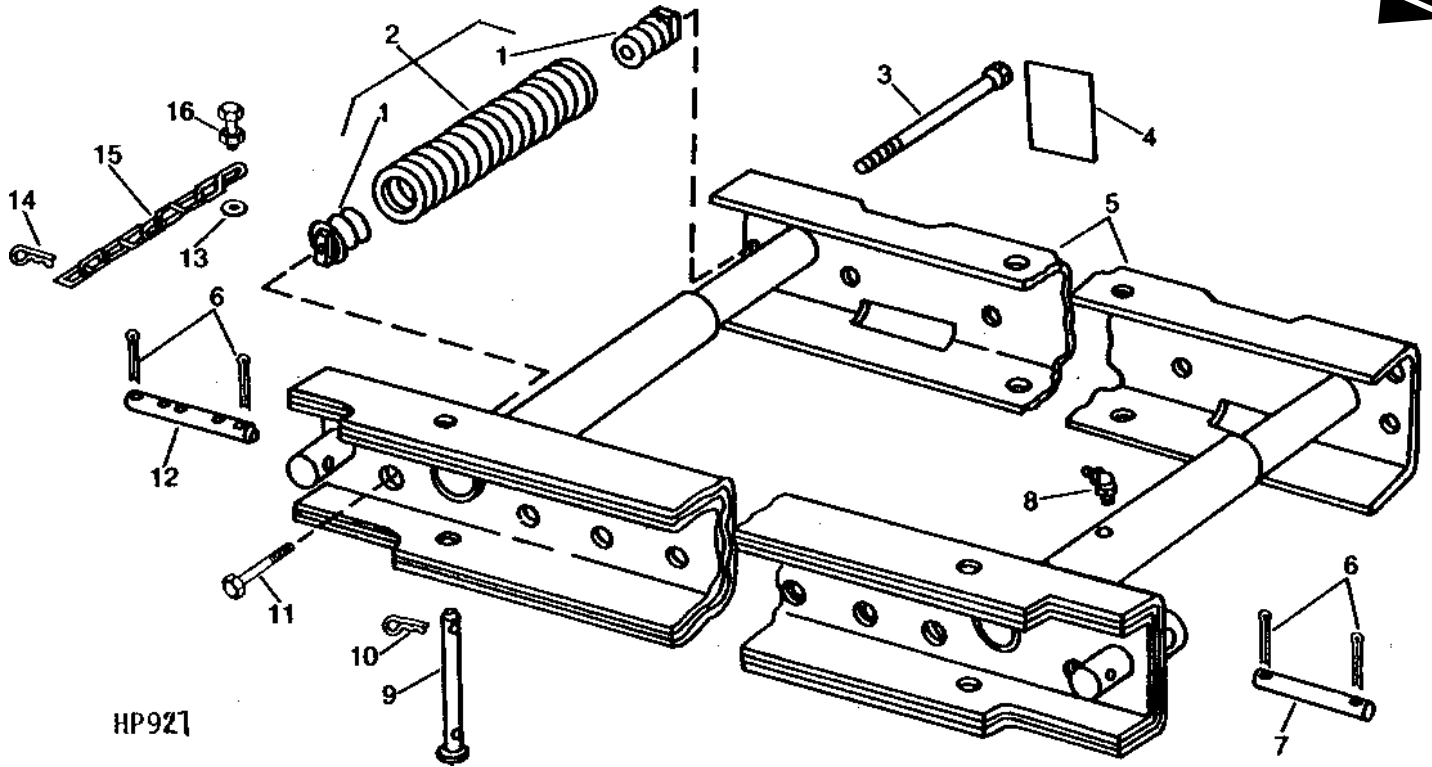
| KEY | PART NO. | PART NAME   | QTY | SERIAL NO.               | REMARKS |
|-----|----------|-------------|-----|--------------------------|---------|
| 1   | 19H2128  | CAP SCREW   | 4   | 3/8" X 3"                |         |
|     | 12H304   | LOCK WASHER | 4   | 3/8"                     |         |
|     | 14H812   | NUT         | 4   | 3/8"                     |         |
| 2   | 24H1305  | WASHER      | 10  | 13/32" X 13/16" X 0.065" |         |
|     | 24H1308  | WASHER      | 4   | 13/32" X 1" X 0.134"     |         |
| 4   | 19H2284  | CAP SCREW   | 2   | 3/8" X 7/8"              |         |
|     | 12H304   | LOCK WASHER | 2   | 3/8"                     |         |
|     | 14H812   | NUT         | 2   | 3/8"                     |         |
| 5   | H80843   | ANGLE       | 2   | UPPER                    |         |
| 6   | H95464   | GUIDE       | 2   |                          |         |
| 7   | 19H1732  | CAP SCREW   | 2   | 3/8" X 1-1/4"            |         |
|     | 12H304   | LOCK WASHER | 2   | 3/8"                     |         |
|     | 14H812   | NUT         | 2   | 3/8"                     |         |
| 8   | H82530   | BRACKET     | 2   | LOWER                    |         |

# 2F12

FEEDER HOUSE

HP921 -UN-01JAN94

## FLOAT SPRINGS



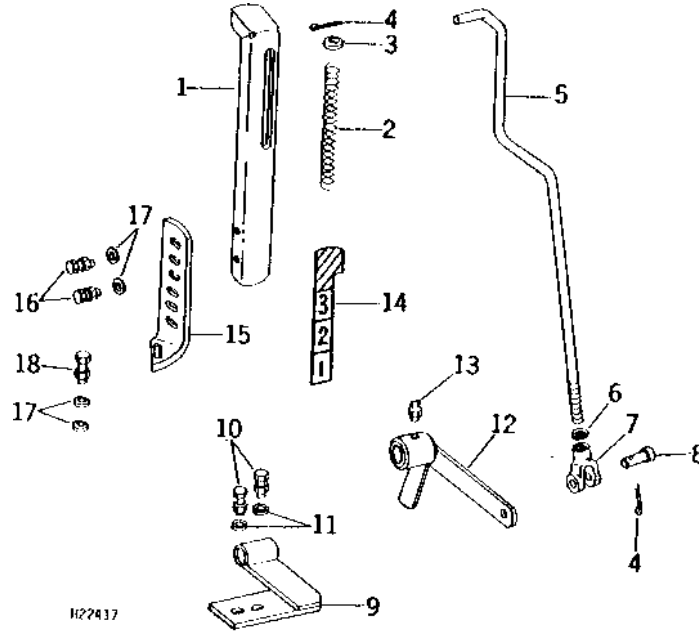
| KEY | PART NO. | PART NAME           | QTY | SERIAL NO. | REMARKS                  |
|-----|----------|---------------------|-----|------------|--------------------------|
| 1   | H60209   | PLUG                | 2   |            | (PER SPRING)             |
| 2   | AH60736  | SPRING ASSEMBLY     | AR  |            |                          |
| 3   | 08H4559  | CAP SCREW           | AR  |            | 5/8" X 9"                |
| 4   | H89657   | DECAL               | 1   |            |                          |
| 5   | AH89501  | FRAME               | 1   |            |                          |
| 6   | 11H222   | COTTER PIN          | 4   |            | 3/16" X 2"               |
| 7   | H99087   | PIN                 | 2   |            |                          |
| 8   | JD7806   | LUBRICATION FITTING | 4   |            | 90°, 1/4"                |
| 9   | AH90761  | PIN                 | 2   |            |                          |
| 10  | 28316    | SPRING LOCKING PIN  | 2   |            |                          |
| 11  | 19H2261  | CAP SCREW           | 1   |            | 5/8" X 2-1/2"            |
| 12  | H99114   | PIN                 | 1   |            |                          |
| 13  | 24H1305  | WASHER              | 2   |            | 13/32" X 13/16" X 0.065" |
| 14  | J16931   | SPRING LOCKING PIN  | 2   |            |                          |
| 15  | AH10367  | LINK CHAIN          | 2   |            |                          |
| 16  | 19H1731  | CAP SCREW           | 2   |            | 3/8" X 1"                |
|     | 14H812   | NUT                 | 2   |            | 3/8"                     |

# 2F13

FEEDER HOUSE

H22417 -UN-01JAN94

## FLOAT SPRING INDICATOR



| KEY | PART NO. | PART NAME           | QTY | SERIAL NO. | REMARKS                  |
|-----|----------|---------------------|-----|------------|--------------------------|
| 1   | AH84962  | GUIDE               | 1   |            |                          |
| 2   | H61803   | SPRING              | 1   |            |                          |
| 3   | 24H1286  | WASHER              | 1   |            | 9/32" X 1/2" X 1/16"     |
| 4   | 11H231   | COTTER PIN          | 2   |            | 1/16" X 1"               |
| 5   | H83592   | ROD                 | 1   |            |                          |
| 6   | 14H860   | NUT                 | 1   |            | 1/4"                     |
| 7   | P42921   | YOKE                | 1   | -550000    |                          |
|     | M3742T   | YOKE                | 1   | 550001-    |                          |
| 8   | P47303   | PIN                 | 1   |            |                          |
| 9   | H88242   | STOP                | 1   |            |                          |
| 10  | H81101   | SCREW               | 2   |            | SELF-TAPPING             |
| 11  | 24H1136  | WASHER              | 2   |            | 11/32" X 11/16" X 0.065" |
| 12  | AH83691  | ARM                 | 1   |            |                          |
| 13  | JD7797   | LUBRICATION FITTING | 1   |            | STRAIGHT, 1/4"           |
| 14  | H84513   | DECAL               | 1   |            |                          |
| 15  | H83596   | BRACKET             | 1   |            |                          |
| 16  | 19H1732  | CAP SCREW           | 2   |            | 3/8" X 1-1/4"            |
|     | 14H812   | NUT                 | 2   |            | 3/8"                     |
| 17  | 24H1305  | WASHER              | 4   |            | 13/32" X 13/16" X 0.065" |
| 18  | 19H1731  | CAP SCREW           | 1   |            | 3/8" X 1"                |
|     | 14H812   | NUT                 | 1   |            | 3/8"                     |

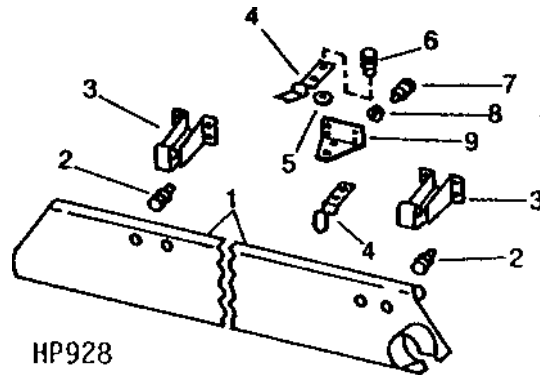


# 2F14

FEEDER HOUSE

HP928 -UN-01JAN94

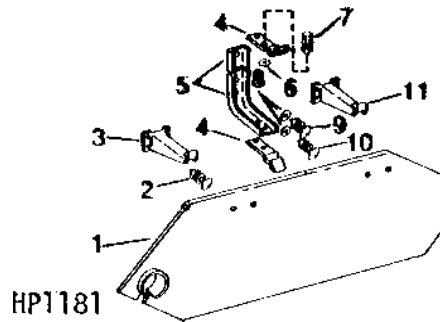
## FEEDER HOUSE RIGHT-HAND SHIELD



| KEY | PART NO. | PART NAME | QTY | SERIAL NO. | REMARKS                       |
|-----|----------|-----------|-----|------------|-------------------------------|
| 1   | AH98890  | SHIELD    | 1   |            | (CORN OR GRAIN) (REGULAR)     |
|     | AH98891  | SHIELD    | 1   | -610100    | (LONG) (RICE, GRAIN, OR CORN) |
|     | AH115249 | SHIELD    | 1   | 610101-    | (LONG) (RICE, GRAIN OR CORN)  |
| 2   | 03H1268  | BOLT      | 4   |            | 5/16" X 3/4"                  |
| 3   | H88055   | BRACKET   | 2   |            |                               |
| 4   | H78884   | LATCH     | 2   |            |                               |
| 5   | 24H1136  | WASHER    | 1   |            | 11/32" X 11/16" X 0.065"      |
| 6   | 19H1900  | CAP SCREW | 2   |            | 5/16" X 3/4"                  |
|     | 14H785   | NUT       | 2   |            | 5/16"                         |
| 7   | 19H1732  | CAP SCREW | 2   |            | 3/8" X 1-1/4"                 |
|     | 14H812   | NUT       | 2   |            | 3/8"                          |
| 8   | 24H1305  | WASHER    | 4   |            | 13/32" X 13/16" X 0.065"      |
| 9   | H88056   | BRACKET   | 1   |            | (REGULAR)                     |
|     | H88057   | BRACKET   | 1   |            | (LONG)                        |

HP1181 -UN-01JAN94

## FEEDER HOUSE LEFT-HAND SHIELD



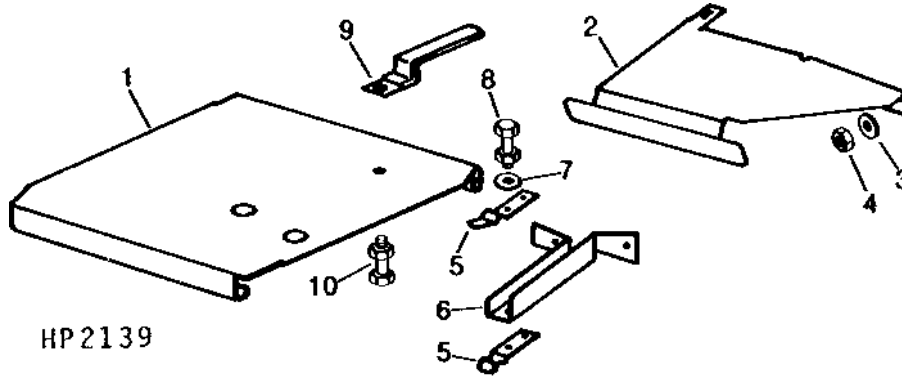
| KEY | PART NO. | PART NAME | QTY | SERIAL NO. | REMARKS                  |
|-----|----------|-----------|-----|------------|--------------------------|
| 1   | AH94459  | SHIELD    | 1   |            | (REGULAR)                |
|     | AH94460  | SHIELD    | 1   | -600000    | (SUB AH114776)           |
|     | AH114776 | SHIELD    | 1   |            | (LONG)                   |
| 2   | 03H1463  | BOLT      | 6   |            | 3/8" X 3/4"              |
|     | 14H812   | NUT       | 6   |            | 3/8"                     |
| 3   | H83776   | BRACKET   | 1   |            | FRONT                    |
| 4   | H78884   | LATCH     | 2   |            |                          |
| 5   | H82521   | BRACKET   | 1   |            |                          |
| 6   | 24H1136  | WASHER    | 1   |            | 11/32" X 11/16" X 0.065" |
| 7   | 19H1900  | CAP SCREW | 2   |            | 5/16" X 3/4"             |
|     | 14H785   | NUT       | 2   |            | 5/16"                    |
| 8   | 24H1305  | WASHER    | 2   |            | 13/32" X 13/16" X 0.065" |
| 9   | 03H1765  | BOLT      | 1   |            | 3/8" X 3/4"              |
|     | 14H812   | NUT       | 1   |            | 3/8"                     |
| 10  | 19H1731  | CAP SCREW | 1   |            | 3/8" X 1"                |
|     | 14H812   | NUT       | 1   |            | 3/8"                     |
| 11  | H78880   | BRACKET   | 1   |            | REAR                     |

# 2F15

FEEDER HOUSE

HP2139 -UN-01JAN94

## VARIABLE BELT DRIVE SHIELD



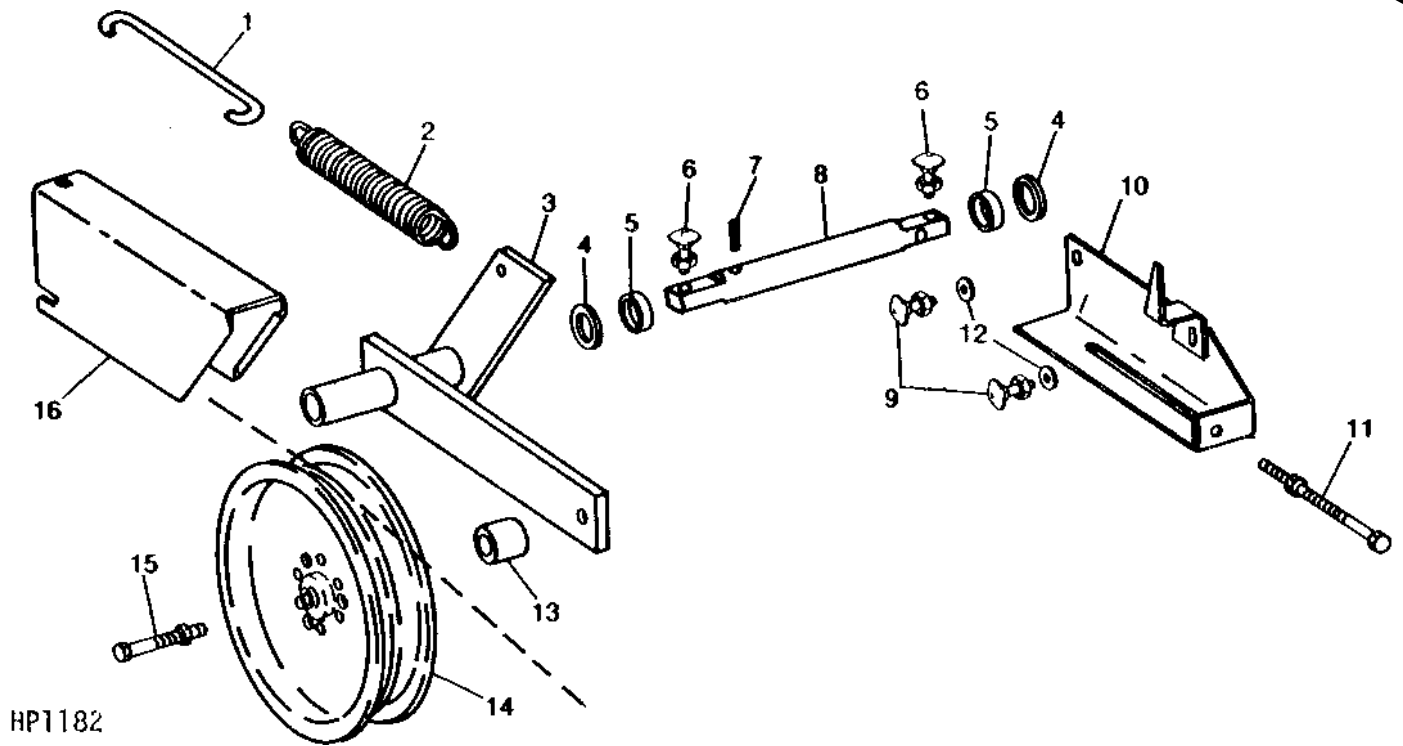
| KEY | PART NO. | PART NAME   | QTY | SERIAL NO. | REMARKS                  |
|-----|----------|-------------|-----|------------|--------------------------|
| 1   | AH85437  | SHIELD      | 1   | -600000    | (SUB AH114774)           |
|     | AH114774 | SHIELD      | 1   |            |                          |
| 2   | H84958   | SUPPORT     | 1   | -400000    | (SUB H100592)            |
|     | H100592  | SUPPORT     | 1   |            |                          |
|     | H84956   | SUPPORT     | 1   |            | (LONG FEEDER HOUSE)      |
| 3   | 24H1136  | WASHER      | 1   |            | 11/32" X 11/16" X 0.065" |
| 4   | 14H785   | NUT         | 1   |            | 5/16"                    |
| 5   | H78884   | LATCH       | 2   |            |                          |
| 6   | H84959   | SUPPORT     | 1   | -400000    |                          |
|     | H100593  | SUPPORT     | 1   | 400001-    |                          |
|     | H99639   | SUPPORT     | 1   |            | (LONG FEEDER HOUSE)      |
| 7   | 24H1305  | WASHER      | 2   |            | 13/32" X 13/16" X 0.065" |
| 8   | 19H1900  | CAP SCREW   | 2   |            | 5/16" X 3/4"             |
|     | 14H785   | NUT         | 2   |            | 5/16"                    |
| 9   | AH78124  | CLIP        | 1   |            |                          |
| 10  | 21H1069  | SCREW       | 1   | 600001-    | 3/8" X 1"                |
|     | 12H304   | LOCK WASHER | 1   | 600001-    | 3/8"                     |
|     | 14H812   | NUT         | 1   | 600001-    | 3/8"                     |

# 2F16

FEEDER HOUSE

## PLATFORM AND FEEDER HOUSE VARIABLE DRIVE MIDDLE BELT TIGHTENER

HP1182 -UN-01JAN94



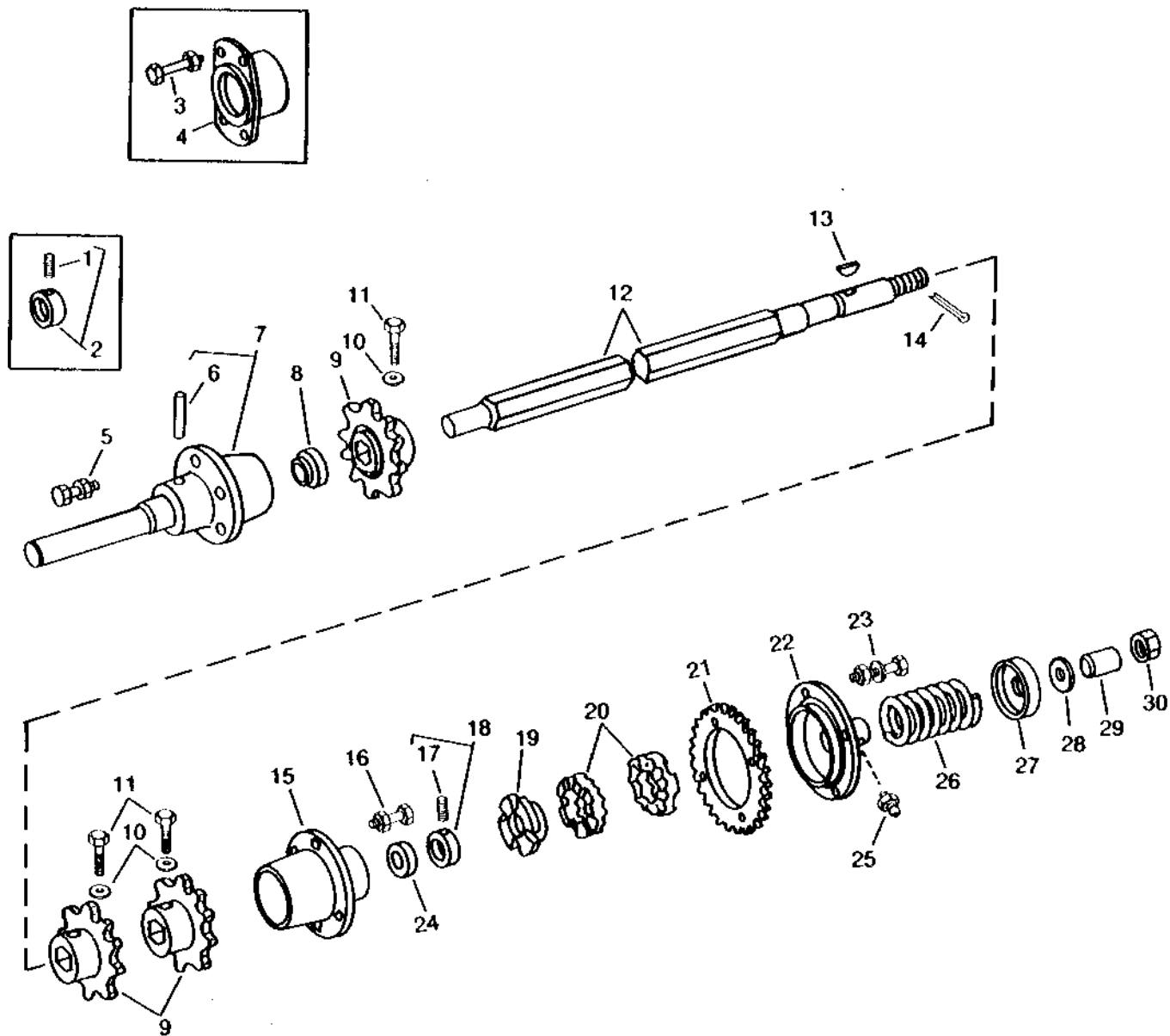
| KEY | PART NO. | PART NAME  | QTY | SERIAL NO. | REMARKS                  |
|-----|----------|------------|-----|------------|--------------------------|
| 1   | H77286   | LINK       | 1   |            |                          |
|     | H83284   | LINK       | 1   |            | (LONG FEEDER HOUSE)      |
| 2   | 124725   | SPRING     | 1   |            |                          |
|     | H86646   | SPRING     | 1   |            | (LONG FEEDER HOUSE)      |
| 3   | AH85435  | ARM        | 1   |            |                          |
| 4   | 24H1413  | WASHER     | 2   |            | 57/64" X 1-3/8" X 0.048" |
| 5   | M42565   | BUSHING    | 2   |            |                          |
| 6   | 03H1495  | BOLT       | 2   |            | 3/8" X 1-1/2"            |
|     | 14H812   | NUT        | 2   |            | 3/8"                     |
| 7   | 34H284   | SPRING PIN | 1   |            | 3/16" X 1-1/4"           |
| 8   | H89433   | SHAFT      | 1   |            |                          |
| 9   | 03H1500  | BOLT       | 2   |            | 3/8" X 1"                |
|     | 14H812   | NUT        | 2   |            | 3/8"                     |
| 10  | AH78581  | BRACKET    | 1   |            |                          |
| 11  | 19H3042  | CAP SCREW  | 1   |            | 3/8" X 6"                |
|     | 14H841   | NUT        | 1   |            | 3/8"                     |
| 12  | 24H1305  | WASHER     | 2   |            | 13/32" X 13/16" X 0.065" |
| 13  | 28H1016  | SPACER     | 1   |            | 3/4" X 1"                |
| 14  | AH85276  | PULLEY     | 1   |            | 229 MM (9") DIA.         |
| 15  | 19H1863  | CAP SCREW  | 1   |            | 5/8" X 3"                |
|     | 14H1039  | NUT        | 1   |            | 5/8"                     |
| 16  | H95450   | SHIELD     | 1   |            |                          |

# 2F17

FEEDER HOUSE

HP2372 -UN-01JAN94

## FEEDER HOUSE UPPER SHAFT, SPROCKETS, AND SLIP CLUTCH



HP2372

# 2F18

FEEDER HOUSE

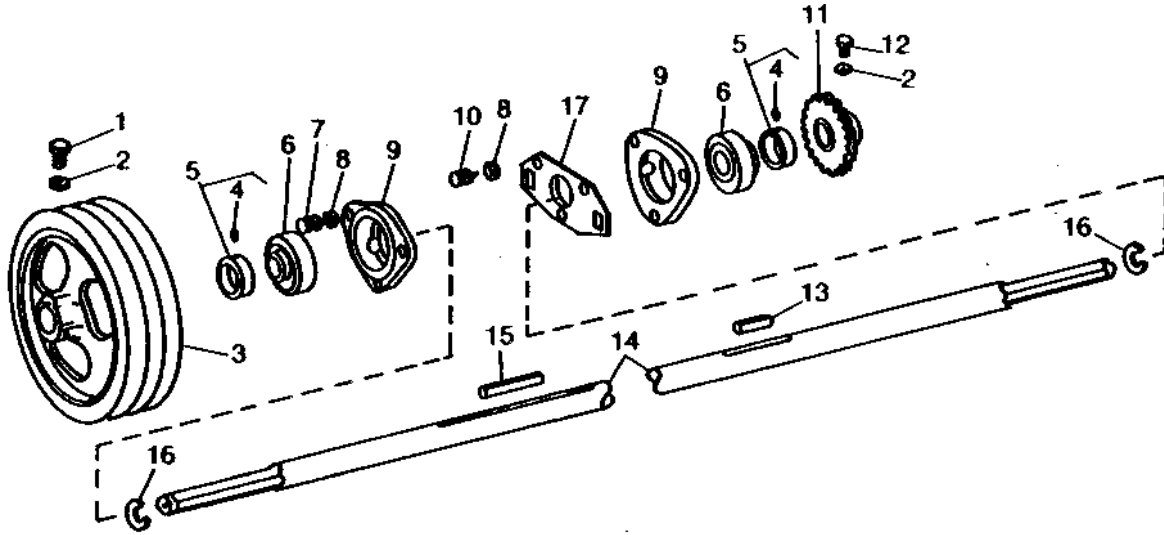
## FEEDER HOUSE UPPER SHAFT, SPROCKETS, AND SLIP CLUTCH - CONTINUED

| KEY | PART NO. | PART NAME                | QTY | SERIAL NO. | REMARKS                           |
|-----|----------|--------------------------|-----|------------|-----------------------------------|
| 1   | 22H899   | SET SCREW                | 1   | -550000    | 3/8" X 1/2"                       |
| 2   | JD8544   | ECCENTRIC LOCKING COLLAR | 1   | -550000    |                                   |
| 3   | H95783   | SCREW                    | 4   | -550000    |                                   |
|     | 12H301   | LOCK WASHER              | 4   | -550000    | 1/2"                              |
|     | 14H1040  | NUT                      | 4   | -550000    | 1/2"                              |
| 4   | H102505  | HOUSING                  | 1   | -550000    | (CORN, GRAIN, RICE, SOYBEAN)      |
| 5   | H95783   | SCREW                    | 2   | 550001-    |                                   |
|     | T49269   | SCREW                    | 2   | 550001-    |                                   |
|     | 12H301   | LOCK WASHER              | 4   | 550001-    | 1/2"                              |
|     | 14H1040  | NUT                      | 4   | 550001-    | 1/2"                              |
| 6   | 34H321   | SPRING PIN               | 1   | 550001-    | 1/4" X 2-1/2"                     |
| 7   | AH111642 | SHAFT                    | 1   | 550001-    |                                   |
| 8   | JD8545   | BALL BEARING             | 1   | -550000    |                                   |
|     | JD9373   | BALL BEARING             | 1   | 550001-    |                                   |
| 9   | H94168   | CHAIN SPROCKET           | 3   | -610100    | 10 TEETH                          |
|     | H121435  | CHAIN SPROCKET           | 3   | 610101-    | 10 TEETH, 45 MM (1-3/4") HEX BORE |
| 10  | 14H732   | NUT                      | 6   |            | 3/8"                              |
| 11  | H84158   | SCREW                    | 6   | -610100    |                                   |
|     | H118776  | SET SCREW                | 6   | 610101-    |                                   |
| 12  | H86092   | SHAFT                    | 1   | -550000    |                                   |
|     | H113409  | SHAFT                    | 1   | 550001-    |                                   |
| 13  | 26H82    | SHAFT KEY                | 1   |            | 1/4" X 7/8"                       |
| 14  | 11H218   | COTTER PIN               | 1   |            | 3/16" X 1-1/2"                    |
| 15  | H95857   | HOUSING                  | 1   |            | (CORN, GRAIN, RICE, SOYBEAN)      |
| 16  | H100562  | SCREW                    | 4   | -550000    |                                   |
|     | H95783   | SCREW                    | 2   | 550001-    | REAR                              |
|     | T49269   | SCREW                    | 2   | 550001-    | FRONT                             |
|     | 12H301   | LOCK WASHER              | 4   |            | 1/2"                              |
|     | 14H1040  | NUT                      | 4   |            | 1/2"                              |
| 17  | 22H899   | SET SCREW                | 1   |            | 3/8" X 1/2"                       |
| 18  | JD8544   | ECCENTRIC LOCKING COLLAR | 1   |            |                                   |
| 19  | H85015   | HUB                      | 1   |            |                                   |
| 20  | Z699H    | SLIP CLUTCH              | 2   |            |                                   |
| 21  | H80845   | CHAIN SPROCKET           | 1   |            | 35 TEETH                          |
| 22  | H93736   | HUB                      | 1   |            |                                   |
| 23  | 19H1732  | CAP SCREW                | 4   |            | 3/8" X 1-1/4"                     |
|     | 14H812   | NUT                      | 4   |            | 3/8"                              |
| 24  | JD8545   | BALL BEARING             | 1   |            |                                   |
| 25  | JD7797   | LUBRICATION FITTING      | 1   |            | STRAIGHT, 1/4"                    |
| 26  | H84390   | SPRING                   | 1   | -402700    |                                   |
|     | H101244  | SPRING                   | 1   | 402701-    |                                   |
| 27  | H22216   | CAP                      | 1   |            |                                   |
| 28  | J4489H   | WASHER                   | 1   |            |                                   |
| 29  | M18105   | SPACER                   | 1   | -400280    | (SUB 28H1576, THIS APPLICATION)   |
|     | 28H1576  | BUSHING                  | 1   |            | 3/4" X 7/8"                       |
| 30  | H83786   | NUT                      | 1   | -402700    |                                   |
|     | H105936  | NUT                      | 1   | 402701-    |                                   |

# 2F19

FEEDER HOUSE VARIABLE BELT DRIVE LOWER SHAFT AND SHEAVE

HP2074 -UN-01JAN94



HP2074

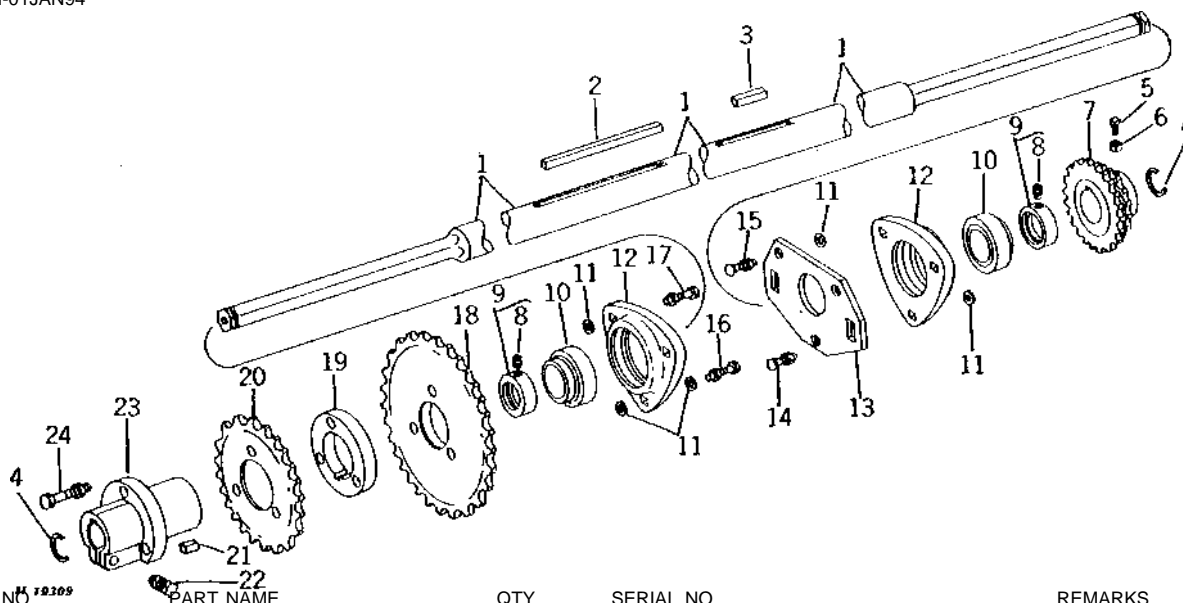
| KEY | PART NO. | PART NAME                | QTY | SERIAL NO. | REMARKS  |
|-----|----------|--------------------------|-----|------------|--|
| 1   | 22H853   | SET SCREW                | 2   |            | 3/8" X 7/8"  |
| 2   | 14H732   | NUT                      | 4   |            | 3/8"   |
| 3   | H76849   | SHEAVE                   | 1   |            | 275 MM (10-13/16") DIA.  |
|     | H76851   | SHEAVE                   | 1   |            | 289 MM(10-3/8") DIA. (LONG FEEDER HOUSE)   |
| 4   | 22H979   | SET SCREW                | 2   |            | 3/8" X 3/8"  |
| 5   | JD9201   | ECCENTRIC LOCKING COLLAR | 2   |            |  |
| 6   | JD9202   | BALL BEARING             | 2   |            |  |
| 7   | 19H1800  | CAP SCREW                | 3   |            | 3/8" X 1-1/2"  |
|     | 14H812   | NUT                      | 3   |            | 3/8"   |
| 8   | 24H1305  | WASHER                   | 6   |            | 13/32" X 13/16" X 0.065"   |
| 9   | H93927   | HOUSING                  | 2   |            |  |
| 10  | 10H1027  | BOLT                     | 3   |            | 3/8" X 1-1/4"  |
|     | 14H812   | NUT                      | 3   |            | 3/8"   |
| 11  | AH101146 | CHAIN SPROCKET           | 1   |            | 18 AND 29 TEETH  |
| 12  | H82306   | SCREW                    | 2   |            |  |
| 13  | .....    | KEY                      | 1   |            | 10 MM X 10 MM X 38 MM (3/8" X 3/8" X 1-1/2")<br>(CUT FROM H64376 IN AH64587 KEY STOCK KIT) |
| 14  | H80923   | SHAFT                    | 1   | -550000    | (SUB H115230)  |
|     | H115230  | SHAFT                    | 1   |            |  |
| 15  | .....    | KEY                      | 1   |            | 10 MM X 10 MM X 86 MM (3/8" X 3/8" X 3-3/8")<br>(CUT FROM H64376 IN AH64587 KEY STOCK KIT) |
| 16  | H80926   | SNAP RING                | 2   |            |  |
| 17  | H82532   | PLATE                    | 1   |            |  |

# 2F20

FEEDER HOUSE

## FEEDER HOUSE DRIVE CHAIN LOWER SHAFT

H19309 -UN-01JAN94



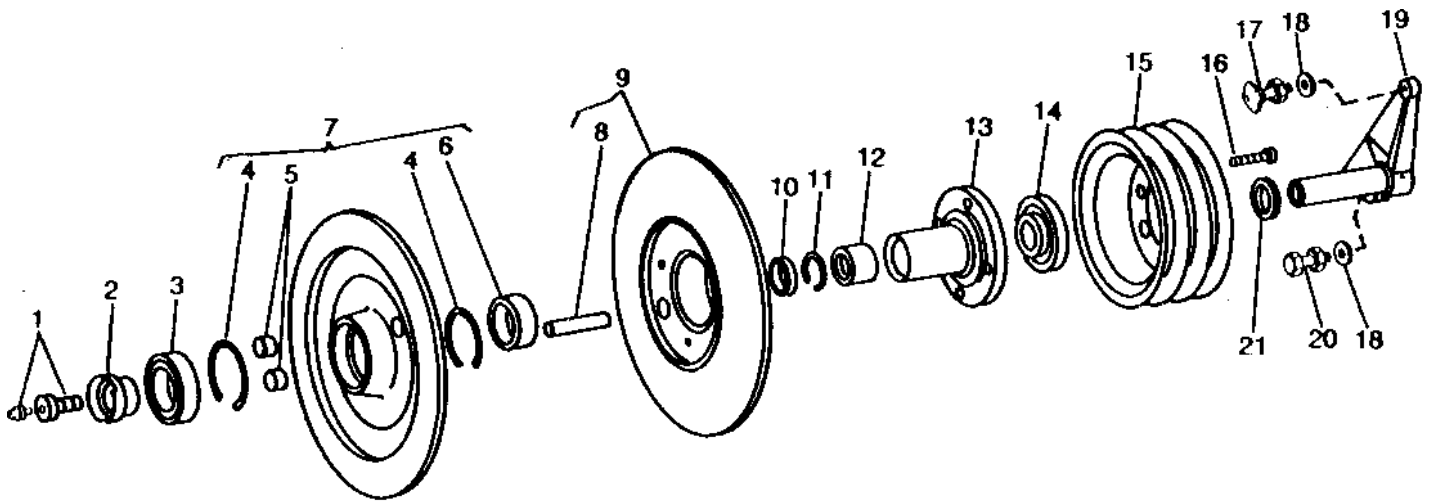
| KEY | PART NO. <sup>H19309</sup> | PART NAME                | QTY | SERIAL NO. | REMARKS   |
|-----|----------------------------|--------------------------|-----|------------|---|
| 1   | H80923                     | SHAFT                    | 1   | -550000    | (SUB H115230)   |
|     | H115230                    | SHAFT                    | 1   |            |   |
| 2   | .....                      | KEY                      | 1   |            | 10 MM X 10 MM X 159 MM (3/8" X 3/8" X 6-1/4")<br>(CUT FROM H64376 IN AH64587 KEY STOCK KIT) |
| 3   | .....                      | KEY                      | 1   |            | 10 MM X 10 MM X 38 MM (3/8" X 3/8" X 1-1/2")<br>(CUT FROM H64376 IN AH64587 KEY STOCK KIT)  |
| 4   | H80926                     | SNAP RING                | 2   |            |   |
| 5   | H82306                     | SCREW                    | 2   |            |   |
| 6   | 14H732                     | NUT                      | 2   |            | 3/8"  |
| 7   | AH101146                   | CHAIN SPROCKET           | 1   |            | 18 AND 29 TEETH   |
| 8   | 22H979                     | SET SCREW                | 2   |            | 3/8" X 3/8"   |
| 9   | JD9201                     | ECCENTRIC LOCKING COLLAR | 2   |            |   |
| 10  | JD9202                     | BALL BEARING             | 2   |            |   |
| 11  | 24H1305                    | WASHER                   | 10  |            | 13/32" X 13/16" X 0.065"  |
| 12  | H93927                     | HOUSING                  | 2   |            |   |
| 13  | H82532                     | PLATE                    | 1   |            |   |
| 14  | 03H1519                    | BOLT                     | 2   |            | 3/8" X 1"   |
|     | 14H812                     | NUT                      | 2   |            | 3/8"  |
| 15  | 10H1027                    | BOLT                     | 3   |            | 3/8" X 1-1/4"   |
|     | 14H812                     | NUT                      | 3   |            | 3/8"  |
| 16  | 19H1765                    | CAP SCREW                | 2   |            | 3/8" X 1-3/4"   |
| 17  | 19H1732                    | CAP SCREW                | 1   |            | 3/8" X 1-1/4"   |
|     | 14H812                     | NUT                      | 1   |            | 3/8"  |
| 18  | H77951                     | CHAIN SPROCKET           | 1   |            | 29 TEETH  |
|     | H77979                     | CHAIN SPROCKET           | 1   |            | 22 TEETH  |
|     | H77950                     | CHAIN SPROCKET           | 1   |            | 18 TEETH  |
| 19  | H75895                     | SPACER                   | 1   |            |   |
| 20  | H77979                     | CHAIN SPROCKET           | 1   |            | 22 TEETH  |
|     | H77950                     | CHAIN SPROCKET           | 1   |            | 18 TEETH  |
|     | H77951                     | CHAIN SPROCKET           | 1   |            | 29 TEETH  |
| 21  | .....                      | SHAFT KEY                | 1   |            | 6 MM X 6 MM X 13 MM (1/4" X 1/4" X 1/2") (CUT FROM H64374 IN AH64587 KEY STOCK KIT)         |
| 22  | 19H1974                    | CAP SCREW                | 1   |            | 1/2" X 2-3/4"   |
|     | 12H301                     | LOCK WASHER              | 1   |            | 1/2"  |
|     | 14H1040                    | NUT                      | 1   |            | 1/2"  |
| 23  | H75894                     | HUB                      | 1   |            |   |
| 24  | 19H1820                    | CAP SCREW                | 3   |            | 1/2" X 3"   |
|     | 12H301                     | LOCK WASHER              | 3   |            | 1/2"  |
|     | 14H1040                    | NUT                      | 3   |            | 1/2"  |

# 2F21

FEEDER HOUSE

## LOWER COUNTERSHAFT AND SHEAVES FOR PLATFORM AND FEEDER HOUSE VARIABLE BELT DRIVE

HP1183 -UN-01JAN94



HP1183

| KEY | PART NO. | PART NAME           | QTY | SERIAL NO. | REMARKS  |
|-----|----------|---------------------|-----|------------|--|
| 1   | JD7797   | LUBRICATION FITTING | 1   |            | 1/4" (USE FOR PERIODIC LUBRICATION ONLY)                                     |
| 2   | H85652   | HUB                 | 1   |            |  |
| 3   | JD9406   | BALL BEARING        | 1   |            |  |
| 4   | H83285   | SNAP RING           | 2   |            |  |
| 5   | H82457   | BUSHING             | 4   |            |  |
| 6   | H75691   | BUSHING             | 1   |            | (64 MM) I.D.   |
| 7   | AH84613  | SHEAVE              | 1   |            | OUTER, 377 MM (14-55/64") DIA. (WITH BUSHINGS AND SNAP RING) (MARKED H84201) |
| 8   | H79404   | PIN                 | 4   |            |  |
| 9   | AH83816  | SHEAVE              | 1   |            | WITH DRIVE PINS, (MARKED H83721)   |
| 10  | H25051   | SEAL                | 1   |            |  |
| 11  | E1343FN  | SNAP RING           | 1   |            |  |
| 12  | JD9878   | NEEDLE BEARING      | 1   |            |  |
| 13  | H84449   | HUB                 | 1   |            |  |
| 14  | JD9301   | BALL BEARING        | 1   |            |  |
| 15  | H76848   | SHEAVE              | 1   |            | 216 MM (8-1/2") DIA.   |
|     | H86021   | SHEAVE              | 1   |            | 226 MM (8-27/32") DIA. (LONG FEEDER HOUSE)                                   |
|     | 19H1765  | CAP SCREW           | 1   |            | 3/8" X 1-3/4"  |
| 17  | 03H1492  | BOLT                | 1   |            | 1/2" X 2"  |
|     | 14H1040  | NUT                 | 1   |            | 1/2"   |
| 18  | 24H1305  | WASHER              | 4   |            | 13/32" X 13/16" X 0.065"   |
| 19  | AH96810  | SUPPORT             | 1   | -550000    | (MARKED H80226)  |
|     | AH109096 | SHAFT               | 1   | 550001-    |  |
|     | AH84897  | SUPPORT             | 1   |            | (LONG FEEDER HOUSE)  |
| 20  | 03H1439  | BOLT                | 2   |            | 1/2" X 1-3/4"  |
|     | 14H1040  | NUT                 | 2   |            | 1/2"   |
| 21  | 24H1669  | WASHER              | 1   |            | 1-25/64" X 2-1/8" X 0.075"   |

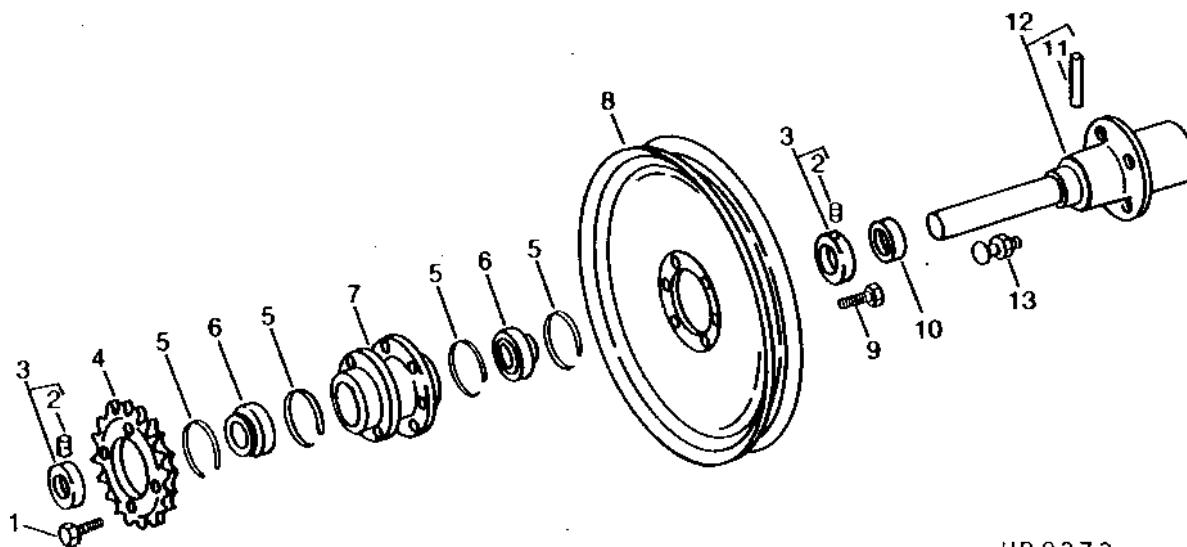


# 2F22

FEEDER HOUSE

HP2373 -UN-01JAN94

## UPPER COUNTERSHAFT AND SPROCKET FOR PLATFORM AND FEEDER HOUSE CHAIN DRIVE



HP 2373

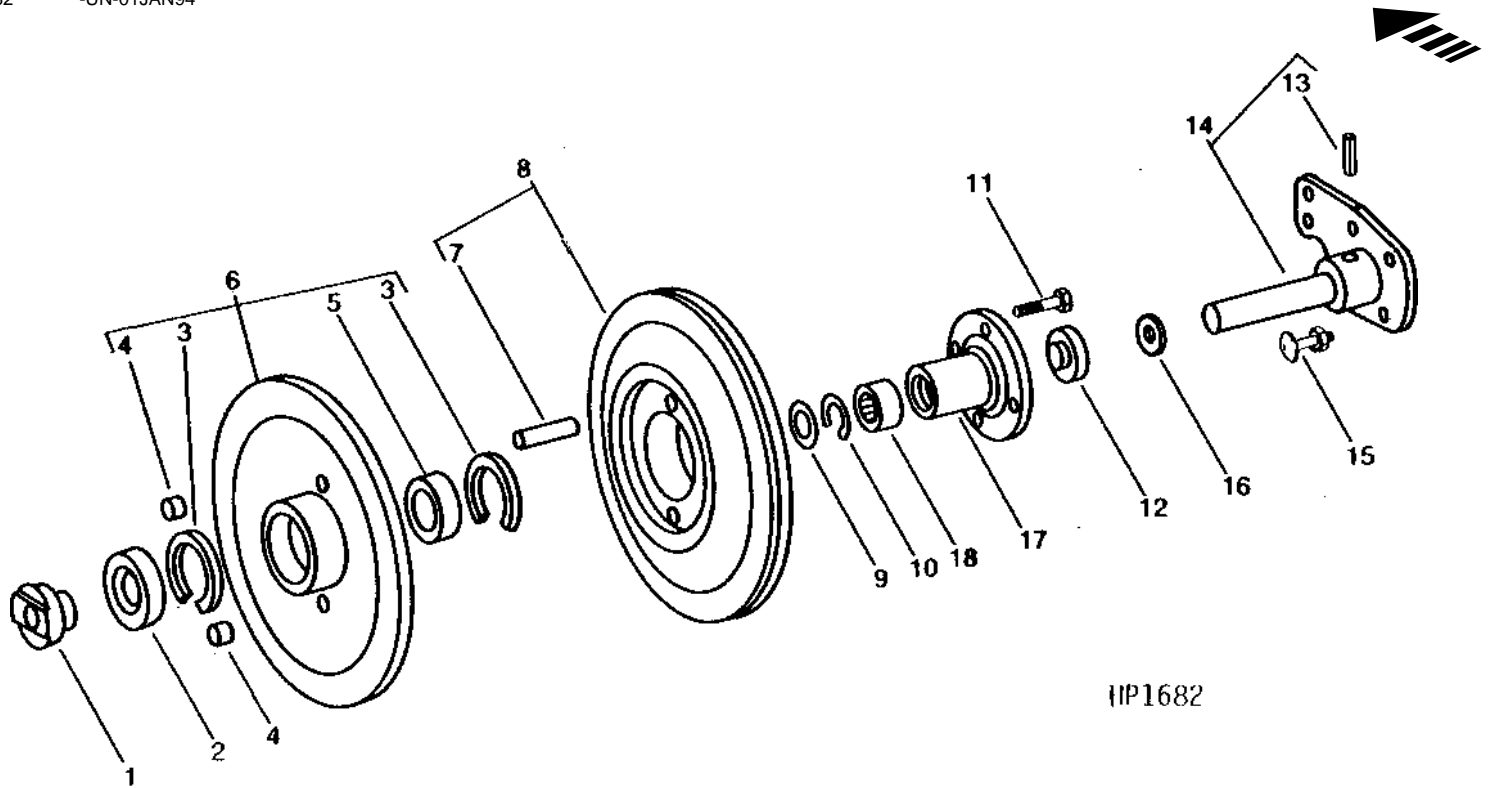
| KEY | PART NO. | PART NAME                | QTY | SERIAL NO. | REMARKS                |
|-----|----------|--------------------------|-----|------------|------------------------|
| 1   | 19H1732  | CAP SCREW                | 4   |            | 3/8" X 1-1/4"          |
| 2   | 22H897   | SET SCREW                | 2   |            | 1/4" X 1/4"            |
| 3   | JD9220   | ECCENTRIC LOCKING COLLAR | 2   |            |                        |
| 4   | H77967   | CHAIN SPROCKET           | 1   |            | 18 TEETH               |
| 5   | P42232   | SNAP RING                | 4   |            |                        |
| 6   | JD9221   | BALL BEARING             | 2   |            |                        |
| 7   | H75893   | HUB                      | 1   |            |                        |
| 8   | AH75979  | SHEAVE                   | 1   |            | 440 MM (17-5/16") DIA. |
| 9   | 19H1936  | CAP SCREW                | 6   |            | 3/8" X 3/4"            |
| 10  | E31845   | BUSHING                  | 1   | -550000    |                        |
| 11  | 34H321   | SPRING PIN               | 1   |            | 1/4" X 2-1/2"          |
| 12  | AH94705  | SHAFT                    | 1   | -550000    | (MARKED H95856)        |
|     | AH111642 | SHAFT                    | 1   | 550001-    |                        |
| 13  | H95783   | SCREW                    | 2   |            |                        |
|     | T49269   | SCREW                    | 2   |            |                        |
|     | 12H301   | LOCK WASHER              | 4   |            | 1/2"                   |
|     | 14H1040  | NUT                      | 4   |            | 1/2"                   |

# 2F23

FEEDER HOUSE

## UPPER COUNTERSHAFT AND SHEAVES FOR PLATFORM AND FEEDER HOUSE VARIABLE BELT DRIVE

HP1682 -UN-01JAN94



HP1682

| KEY | PART NO. | PART NAME      | QTY | SERIAL NO. | REMARKS  |
|-----|----------|----------------|-----|------------|--|
| 1   | H85652   | HUB            | 1   |            |  |
| 2   | JD9406   | BALL BEARING   | 1   |            |  |
| 3   | H83285   | SNAP RING      | 1   |            |  |
| 4   | H82457   | BUSHING        | 4   |            |  |
| 5   | H75691   | BUSHING        | 1   |            |  |
| 6   | AH84613  | SHEAVE         | 1   |            | WITH BUSHINGS AND SNAP RING, (MARKED H84201)                       |
| 7   | H79404   | PIN            | 4   |            |  |
| 8   | AH83815  | SHEAVE         | 1   |            | INNER, WITH DRIVE PINS, 374 MM (14-55/64")<br>DIA. (MARKED H83720) |
| 9   | H25051   | SEAL           | 1   |            |  |
| 10  | E1343FN  | SNAP RING      | 1   |            |  |
| 11  | 19H1732  | CAP SCREW      | 4   |            | 3/8" X 1-1/4"  |
| 12  | JD9301   | BALL BEARING   | 1   |            |  |
| 13  | 34H321   | SPRING PIN     | 1   |            |  |
| 14  | AH94706  | SUPPORT        | 1   | -550000    | (MARKED H95784)  |
|     | AH111100 | SHAFT          | 1   | 550001-    |  |
| 15  | H95783   | SCREW          | 1   |            |  |
|     | 12H301   | LOCK WASHER    | 4   |            | 1/2"   |
|     | 14H1040  | NUT            | 4   |            | 1/2"   |
| 16  | 24H1669  | WASHER         | 1   |            | 1-25/64" X 2-1/8" X 0.075"   |
| 17  | H84449   | HUB            | 1   |            |  |
| 18  | JD9878   | NEEDLE BEARING | 1   |            |  |

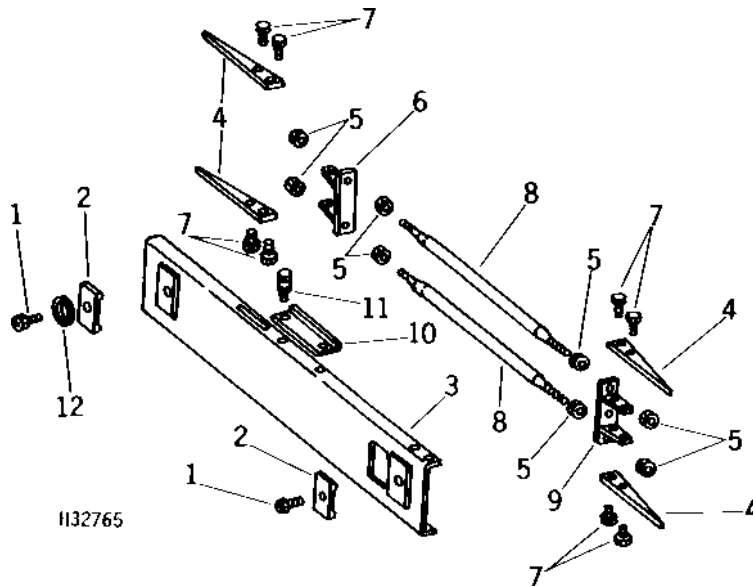
# 2F24

FEEDER HOUSE

## PLATFORM AND FEEDER HOUSE VARIABLE BELT DRIVE SHEAVE CONTROL

H32765

-UN-01JAN94



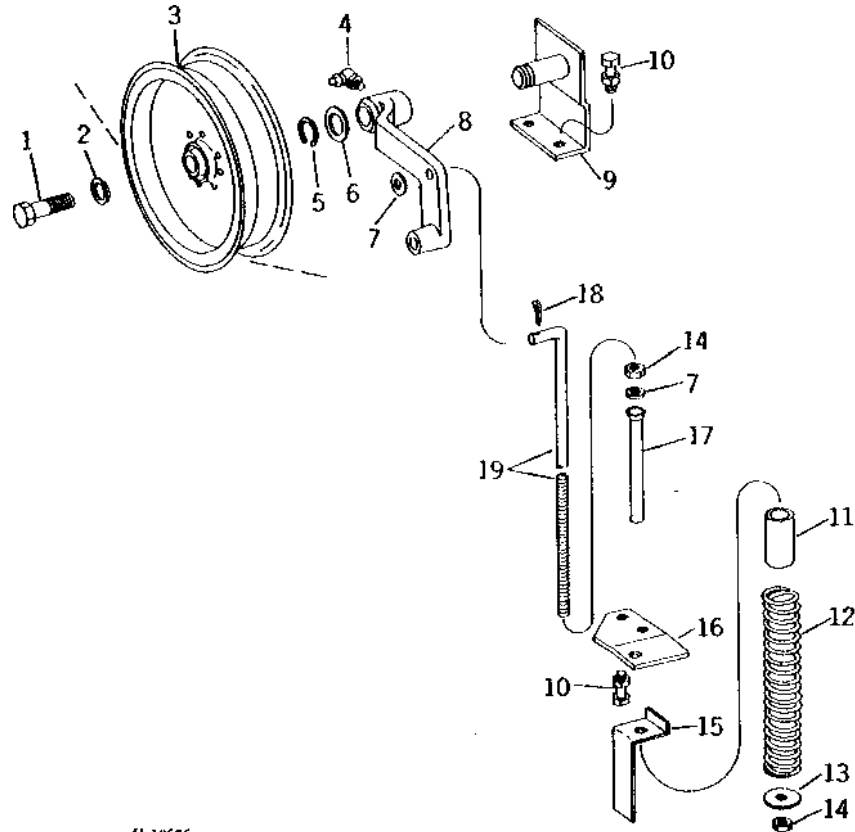
| KEY | PART NO. | PART NAME | QTY | SERIAL NO.  | REMARKS |
|-----|----------|-----------|-----|-------------|---------|
| 1   | H77280   | CAP SCREW | 2   |             |         |
| 2   | H85651   | PLATE     | 2   |             |         |
| 3   | AH84898  | SUPPORT   | 1   |             |         |
| 4   | H85912   | WEDGE     | 4   |             |         |
| 5   | 14H1040  | NUT       | 8   | 1/2"        |         |
| 6   | AH87591  | CLEVIS    | 1   | LOWER       |         |
| 7   | 19H2284  | CAP SCREW | 8   | 3/8" X 7/8" |         |
| 8   | AH76147  | TUBE      | 2   |             |         |
| 9   | AH87592  | CLEVIS    | 1   | UPPER       |         |
| 10  | H84954   | BRACKET   | 1   |             |         |
| 11  | 19H1936  | CAP SCREW | 2   | 3/8" X 3/4" |         |
|     | 14H812   | NUT       | 2   | 3/8"        |         |
| 12  | H84961   | WASHER    | 1   |             |         |

# 2F25

FEEDER HOUSE

H18505 -UN-01JAN94

## PLATFORM AND FEEDER HOUSE UPPER DRIVE TIGHTENER



H 18505

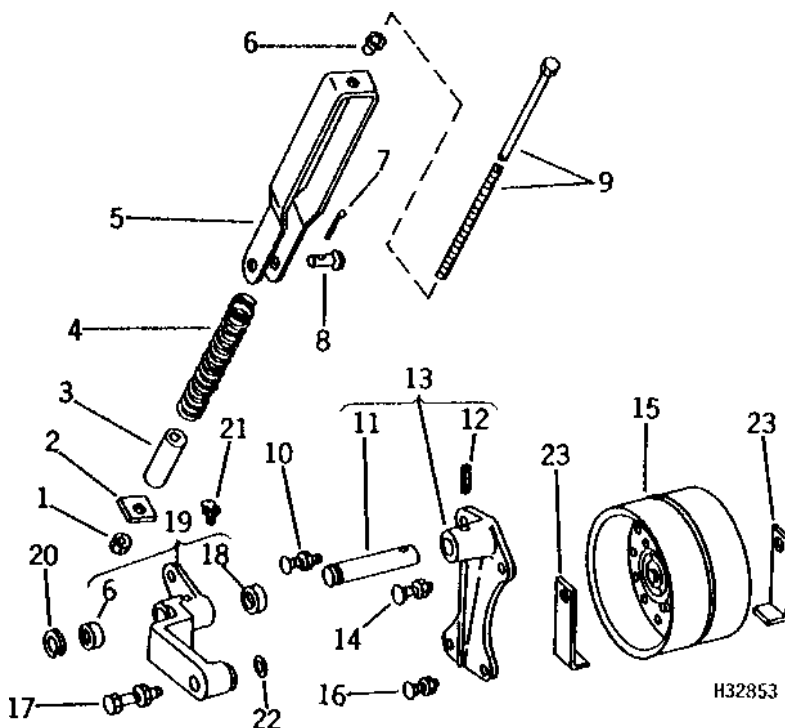
| KEY | PART NO. | PART NAME           | QTY | SERIAL NO.                         | REMARKS |
|-----|----------|---------------------|-----|------------------------------------|---------|
| 1   | 19H1708  | CAP SCREW           | 1   | 5/8" X 1-3/4"                      |         |
| 2   | 24H1362  | WASHER              | 1   | 41/64" X 1" X 0.075"               |         |
| 3   | AH85276  | PULLEY              | 1   |                                    |         |
| 4   | JD7806   | LUBRICATION FITTING | 1   | 90°, 1/4"                          |         |
| 5   | P43026   | SNAP RING           | 1   |                                    |         |
| 6   | 24H1441  | WASHER              | 1   | 1-1/64" X 1-1/2" X 0.048"          |         |
| 7   | 24H1305  | WASHER              | 2   | 13/32" X 13/16" X 0.065"           |         |
| 8   | H76032   | ARM                 | 1   |                                    |         |
| 9   | AH78545  | PIVOT               | 1   |                                    |         |
| 10  | 19H1731  | CAP SCREW           | 4   | 3/8" X 1"                          |         |
|     | 14H812   | NUT                 | 4   | 3/8"                               |         |
| 11  | .....    | HOSE                | 1   | 51 MM (2") LONG, (CUT FROM T61939) |         |
| 12  | H76040   | SPRING              | 1   |                                    |         |
| 13  | 24H1312  | WASHER              | 1   | 13/32" X 1-3/8" X 0.105"           |         |
| 14  | 14H812   | NUT                 | 2   | 3/8"                               |         |
| 15  | H80759   | GAUGE               | 1   |                                    |         |
| 16  | H80760   | BRACKET             | 1   |                                    |         |
| 17  | H76041   | SPACER              | 1   |                                    |         |
| 18  | 11H236   | COTTER PIN          | 1   | 1/8" X 1"                          |         |
| 19  | H76038   | BOLT                | 1   |                                    |         |

# 2G1

FEEDER HOUSE

## PLATFORM AND FEEDER HOUSE VARIABLE DRIVE LOWER BELT TIGHTENER

H32853 -UN-01JAN94

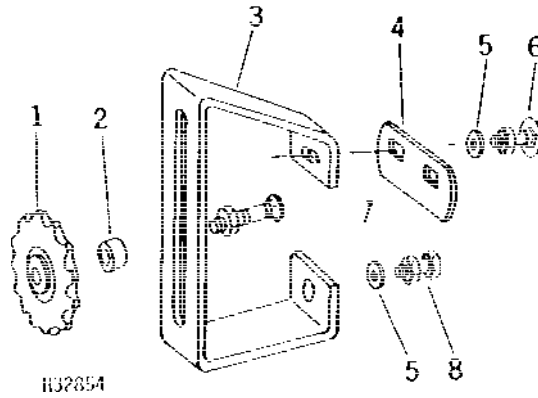


| KEY | PART NO. | PART NAME           | QTY | SERIAL NO.  | REMARKS |
|-----|----------|---------------------|-----|---|---------|
| 1   | 14H812   | NUT                 | 1   | 3/8"  |         |
| 2   | H77287   | STRAP               | 1   |   |         |
| 3   | 28H2611  | SPACER              | 1   | 1/2" X 2"   |         |
| 4   | H26552   | SPRING              | 1   |   |         |
| 5   | H77288   | CLEVIS              | 1   | (RICE)  |         |
|     | H77292   | CLEVIS              | 1   | (LONG FEEDER HOUSE) (RICE)                                  |         |
| 6   | H77289   | WASHER              | 1   |   |         |
| 7   | 11H216   | COTTER PIN          | 1   | 3/16" X 1"  |         |
| 8   | H748DA   | PIN                 | 1   |   |         |
| 9   | 08H4665  | CAP SCREW           | 1   | 3/8" X 10"  |         |
| 10  | 03H1557  | BOLT                | 1   | 3/8" X 1-1/4"   |         |
|     | 14H812   | NUT                 | 1   | 3/8"  |         |
| 11  | H76846   | PIN                 | 1   |   |         |
| 12  | 34H316   | SPRING PIN          | 1   | 1/4" X 1-1/2"   |         |
| 13  | AH80928  | BRACKET             | 1   |   |         |
| 14  | 03H1764  | BOLT                | 1   | 1/2" X 1-3/4"   |         |
|     | 14H812   | NUT                 | 1   | 3/8"  |         |
| 15  | AH86835  | SHEAVE              | 1   | 165 MM (6-1/2") DIA.  |         |
|     | AH87118  | SHEAVE              | 1   | 165 MM (6-1/2") DIA. (LONG FEEDER HOUSE) (USE WITH AH81161) |         |
|     | AH81161  | BALL BEARING        | 1   |   |         |
| 16  | 03H1524  | BOLT                | 1   | 5/16" X 1"  |         |
|     | 14H785   | NUT                 | 1   | 5/16"   |         |
| 17  | 19H1739  | CAP SCREW           | 1   | 1/2" X 4-1/2"   |         |
|     | H79449   | LOCK NUT            | 1   | -610550 (SUB K40014)  |         |
|     | K40014   | LOCK NUT            | 1   |   |         |
| 18  | L4694T   | BUSHING             | 2   |   |         |
| 19  | AH86900  | ARM                 | 1   |   |         |
| 20  | P46614   | SNAP RING           | 1   |   |         |
| 21  | JD7806   | LUBRICATION FITTING | 1   | 90°, 1/4"   |         |
| 22  | T21242   | WASHER              | 1   |   |         |
| 23  | H85859   | BRACKET             | 1   |   |         |

PLATFORM AND FEEDER HOUSE CHAIN DRIVE TIGHTENER  
ON LEFT-HAND SIDE OF FEEDER HOUSE

H32854

-UN-01JAN94



| KEY | PART NO. | PART NAME      | QTY | SERIAL NO. | REMARKS                  |
|-----|----------|----------------|-----|------------|--------------------------|
| 1   | AH20447  | CHAIN SPROCKET | 1   |            | 12 TEETH                 |
| 2   | H27952   | BUSHING        | 1   |            |                          |
| 3   | H82520   | BRACKET        | 1   |            |                          |
| 4   | H101814  | STRAP          | 1   |            |                          |
| 5   | 24H1305  | WASHER         | 2   |            | 13/32" X 13/16" X 0.065" |
| 6   | 03H1522  | BOLT           | 1   |            | 1/2" X 1-1/4"            |
| 7   | 12H301   | LOCK WASHER    | 1   |            | 1/2"                     |
|     | 14H1040  | NUT            | 1   |            | 1/2"                     |
|     | 03H1591  | BOLT           | 1   |            | 1/2" X 2-1/4"            |
|     | 12H301   | LOCK WASHER    | 1   |            | 1/2"                     |
|     | 14H1040  | NUT            | 1   |            | 1/2"                     |
| 8   | 19H1732  | CAP SCREW      | 1   |            | 3/8" X 1-1/4"            |
|     | 12H304   | LOCK WASHER    | 1   |            | 3/8"                     |
|     | 14H812   | NUT            | 1   |            | 3/8"                     |

---

MEMORANDA

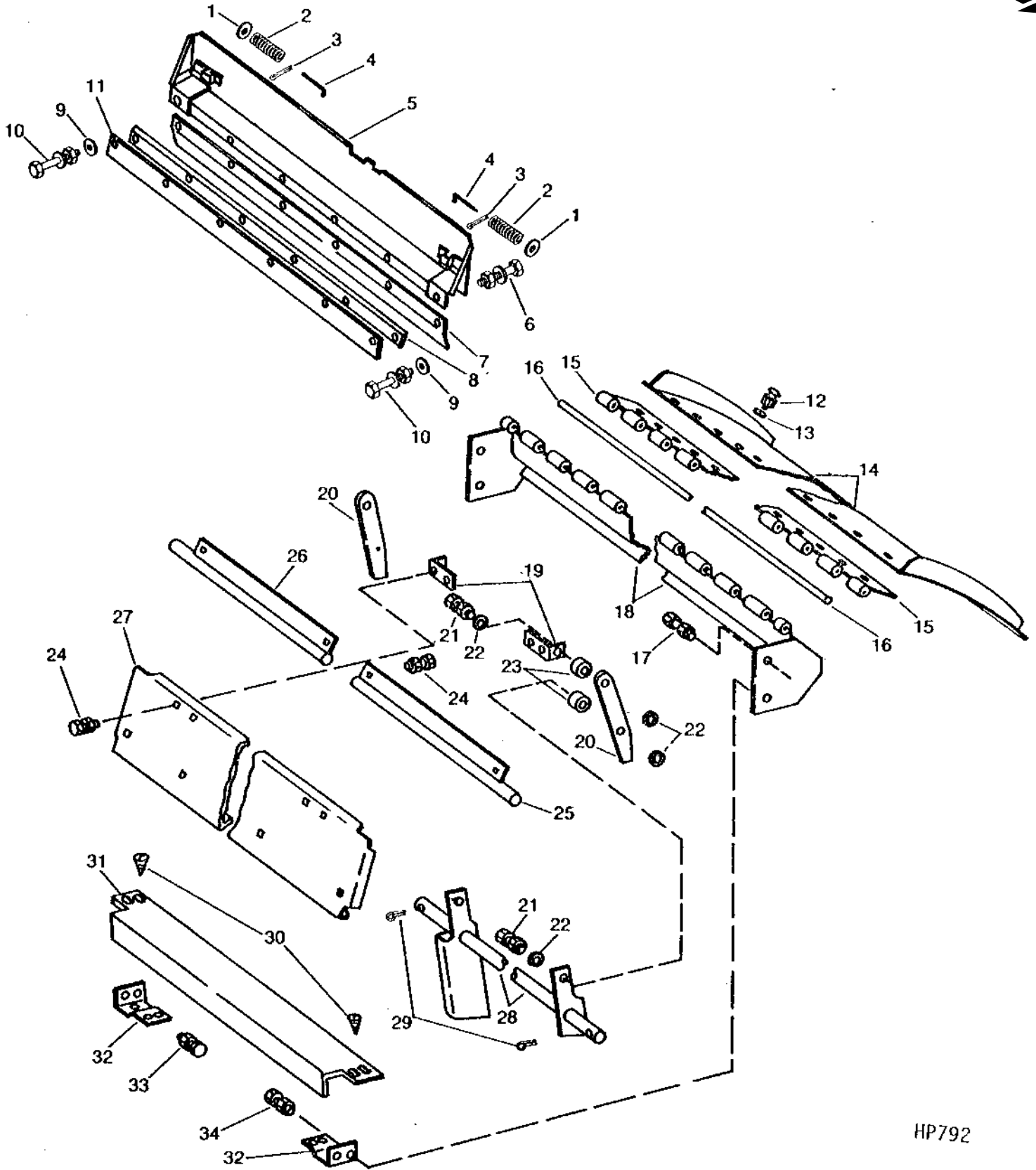
# 2G6

SEPARATOR

HP792

-UN-01JAN94

SEPARATOR FRONT SHEETS, FEED PLATE, REMOTE DUMP STONE TRAP, AND DOOR



HP792



## SEPARATOR FRONT SHEETS, FEED PLATE, REMOTE DUMP STONE TRAP, AND DOOR - CONTINUED

| KEY | PART NO. | PART NAME   | QTY | SERIAL NO. | REMARKS                  |
|-----|----------|-------------|-----|------------|--------------------------|
| 1   | 24H1305  | WASHER      | 2   |            | 13/32" X 13/16" X 0.065" |
| 2   | HZ5621H  | SPRING      | 2   |            |                          |
| 3   | 11H211   | COTTER PIN  | 2   |            | 1/8" X 3/4"              |
| 4   | H76877   | PIN         | 2   |            |                          |
| 5   | AH87716  | DOOR        | 1   |            |                          |
| 6   | 03H1540  | BOLT        | 6   |            | 5/16" X 3/4"             |
|     | 12H303   | LOCK WASHER | 6   |            | 5/16"                    |
|     | 14H785   | NUT         | 6   |            | 5/16"                    |
| 7   | H82630   | SEAL        | 1   |            |                          |
| 8   | H75732   | STRIP       | 1   |            |                          |
| 9   | 24H1136  | WASHER      | 2   |            | 11/32" X 11/16" X 0.065" |
| 10  | 19H2127  | CAP SCREW   | 6   |            | 5/16" X 7/8"             |
|     | 12H303   | LOCK WASHER | 6   |            | 5/16"                    |
|     | 14H785   | NUT         | 6   |            | 5/16"                    |
| 11  | H78938   | SEAL        | 1   |            |                          |
| 12  | 03H1463  | BOLT        | 7   |            | 3/8" X 3/4"              |
|     | 12H304   | LOCK WASHER | 7   |            | 3/8"                     |
|     | 14H812   | NUT         | 7   |            | 3/8"                     |
| 13  | 24H1305  | WASHER      | 7   |            | 13/32" X 13/16" X 0.065" |
| 14  | H102468  | PLATE       | 1   |            |                          |
| 15  | H82497   | HINGE       | 1   |            |                          |
| 16  | H76258   | PIN         | 1   |            |                          |
| 17  | 19H1732  | CAP SCREW   | 2   |            | 3/8" X 1-1/4"            |
|     | 12H304   | LOCK WASHER | 2   |            | 3/8"                     |
|     | 14H812   | NUT         | 2   |            | 3/8"                     |
| 18  | AH92374  | SUPPORT     | 1   |            |                          |
| 19  | H89649   | BRACKET     | 2   |            |                          |
| 20  | H92931   | LINK        | 2   |            |                          |
| 21  | 19H1849  | CAP SCREW   | 4   |            | 5/16" X 1-1/4"           |
|     | 12H303   | LOCK WASHER | 4   |            | 5/16"                    |
|     | 14H785   | NUT         | 4   |            | 5/16"                    |
| 22  | 24H1822  | WASHER      | 8   |            | 11/32" X 7/8" X 1/16"    |
| 23  | 28H1883  | SPACER      | 4   |            | 1/4" X 1/2"              |
| 24  | 03H1268  | BOLT        | 8   |            | 5/16" X 3/4"             |
|     | 12H303   | LOCK WASHER | 8   |            | 5/16"                    |
|     | 14H785   | NUT         | 8   |            | 5/16"                    |
| 25  | AH96025  | SUPPORT     | 1   |            | DOOR, PIVOT, L.H.        |
| 26  | AH96024  | SUPPORT     | 1   |            | DOOR, PIVOT, R.H.        |
| 27  | AH92376  | DOOR        | 1   | -550000    | (SUB AH113900)           |
|     | AH113900 | DOOR        | 1   |            |                          |
| 28  | AH92380  | SHAFT       | 1   | -550000    |                          |
|     | AH113901 | SHAFT       | 1   | 550001-    |                          |
| 29  | 11H218   | COTTER PIN  | 2   |            | 3/16" X 1-1/2"           |
| 30  | H76139   | SCREW       | 4   |            | SELF-TAPPING             |
| 31  | H92918   | DEFLECTOR   | 1   |            |                          |
| 32  | H92919   | SUPPORT     | 2   |            |                          |
| 33  | 19H2284  | CAP SCREW   | 2   |            | 3/8" X 7/8"              |
|     | 12H304   | LOCK WASHER | 2   |            | 3/8"                     |
|     | 14H812   | NUT         | 2   |            | 3/8"                     |
| 34  | 19H1800  | CAP SCREW   | 2   |            | 3/8" X 1-1/2"            |
|     | 12H304   | LOCK WASHER | 2   |            | 3/8"                     |
|     | 14H812   | NUT         | 2   |            | 3/8"                     |

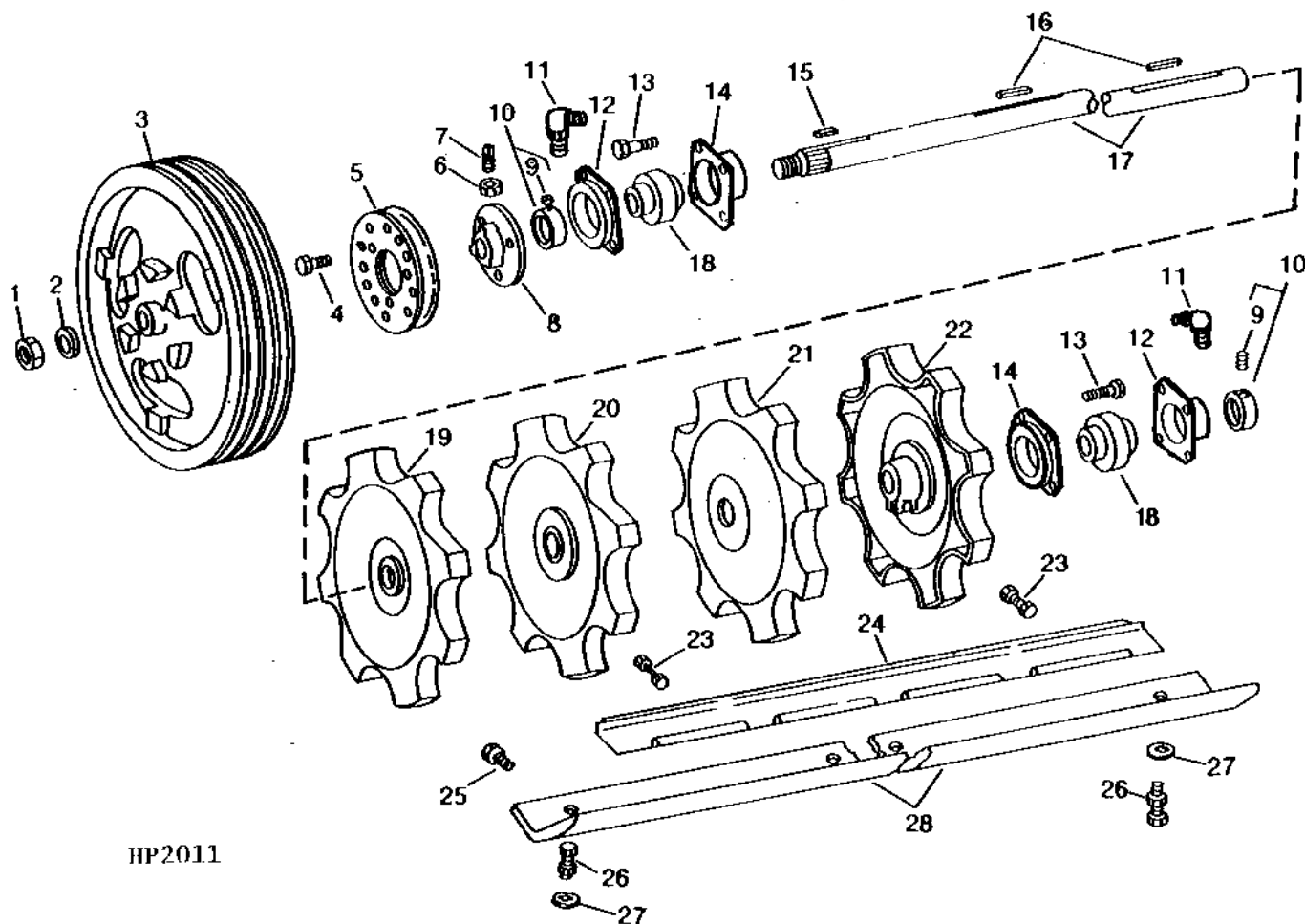
# 2G8

SEPARATOR

HP2011

-UN-01JAN94

## RASP-BAR CYLINDER



HP2011

## RASP-BAR CYLINDER - CONTINUED

| KEY | PART NO.   | PART NAME                | QTY | SERIAL NO. | REMARKS   |
|-----|--|--------------------------|-----|------------|---|
| 1   | H82619   | LOCK NUT                 | 1   |            |   |
| 2   | 24H1471  | WASHER                   | 1   |            | 1-9/64" X 1-3/4" X 0.134"   |
| 3   | H84542   | SHEAVE                   | 1   |            | 467 MM (18-25/64") DIA.   |
| 4   | 19H1936  | CAP SCREW                | 3   |            | 3/8" X 3/4"   |
| 5   | AH80755  | SHEAVE                   | 1   |            | 229 MM (9") DIA. (100 PER CENT BEATER SPEED)  |
|     | AH100303   | SHEAVE                   | 1   |            | 254 MM (10") DIA. (150 PER CENT BEATER SPEED)   |
| 6   | 14H732   | NUT                      | 2   |            | 3/8"  |
| 7   | 22H888   | SET SCREW                | 1   |            | 3/8" X 1-1/4"   |
| 8   | H82314   | HUB                      | 1   |            |   |
| 9   | 22H979   | SET SCREW                | 2   |            | 3/8" X 3/8"   |
| 10  | JD9201   | ECCENTRIC LOCKING COLLAR | 2   |            |   |
| 11  | JD7806   | LUBRICATION FITTING      | 2   | 500001-    | 90°, 1/4"   |
| 12  | G6661E   | PRESSED FLANGED HOUSING  | 2   | -450000    | (SUB E62484)  |
|     | E62484   | PRESSED FLANGED HOUSING  | 2   | -500000    |   |
|     | H113626  | PRESSED FLANGED HOUSING  | 2   | 500001-    |   |
| 13  | 19H1815  | CAP SCREW                | 8   |            | 1/2" X 1-1/4"   |
|     | 12H301   | LOCK WASHER              | 8   |            | 1/2"  |
| 14  | G6661E   | PRESSED FLANGED HOUSING  | 2   | -450000    | (SUB E62484)  |
|     | E62484   | PRESSED FLANGED HOUSING  | 2   | -500000    |   |
|     | H113625  | PRESSED FLANGED HOUSING  | 2   | 500001-    |   |
| 15  | .....  | KEY                      | 2   |            | 10 MM X 10 MM X 32 MM (3/8" X 3/8" X 1-1/4")<br>(CUT FROM H64376 IN AH64587 KEY STOCK KIT)        |
| 16  | .....  | KEY                      | 2   |            | (A) 10 MM X 10 MM X 57 MM (3/8" X 3/8" X<br>2-1/4") (CUT FROM H64376 IN AH64587 KEY<br>STOCK KIT) |
| 17  | H79757   | SHAFT                    | 1   |            | (A)   |
| 18  | JD9276   | BALL BEARING             | 2   | -500000    |   |
|     | JD9434   | BEARING                  | 2   | 500001-    |   |
| 19  | AH75122  | CYLINDER HEAD            | 1   |            | (A) (WITH HUB)  |
| 20  | AH75118  | CYLINDER HEAD            | 1   |            | (A) (R.H.) (WITH KEYED HUB)   |
| 21  | H75324   | CYLINDER HEAD            | 1   | -550000    | (A) (SUB H117614, H99923, 19H2676 AND R42729)<br>(WITHOUT HUB)                                    |
|     | H117614  | THRESHING CYLINDER HEAD  | 1   |            |   |
| 22  | AH96530  | CYLINDER HEAD            | 1   |            | (L.H.) (WITH KEYED HUB)   |
| 23  | 19H1930  | CAP SCREW                | 2   |            | (A) 1/2" X 2-1/2"   |
|     | 14H1040  | NUT                      | 2   |            | (A) 1/2"  |
|     | P3629H   | LOCK WASHER              | 2   | -610600    | (A) (SUB 12H301)  |
|     | 12H301   | LOCK WASHER              | 2   |            | 1/2"  |
| 24  | H79484   | PLATE                    | 8   |            |   |
| 25  | 19H2554  | CAP SCREW                | 32  |            | (A) 3/8" X 5/8"   |
| 26  | 19H2676  | CAP SCREW                | AR  | -550000    | 3/8" X 1", (32 USED, WITHOUT FILLER PLATES;<br>64 USED, WITH FILLER PLATES) (SUB 19H3239)         |
|     | 19H3239  | CAP SCREW                | AR  |            | 3/8" X 1-1/4", (32 USED, WITHOUT FILLER<br>PLATES; 64 USED, WITH FILLER PLATES)                   |
|     | H99923   | LOCK NUT                 | AR  |            | (32 USED, WITHOUT FILLER PLATES; 64 USED,<br>WITH FILLER PLATES)                                  |
| 27  | R42729   | WASHER                   | AR  |            | (32 USED, WITHOUT FILLER PLATES; 64 USED,<br>WITH FILLER PLATES)                                  |
| 28  | AH75125  | RASP BAR                 | 2   |            | (A) (R.H.) (HARDENED) (SET OF 2)  |
|     | AH75126  | RASP BAR                 | 2   |            | (A) (L.H.) (HARDENED) (SET OF 2)  |
|     | PART LISTED BELOW CONSISTS OF ALL PARTS INDICATED BY AN (A): |                          |     |            |   |
| ..  | AH76099  | RASP-BAR CYLINDER        | 1   |            |   |

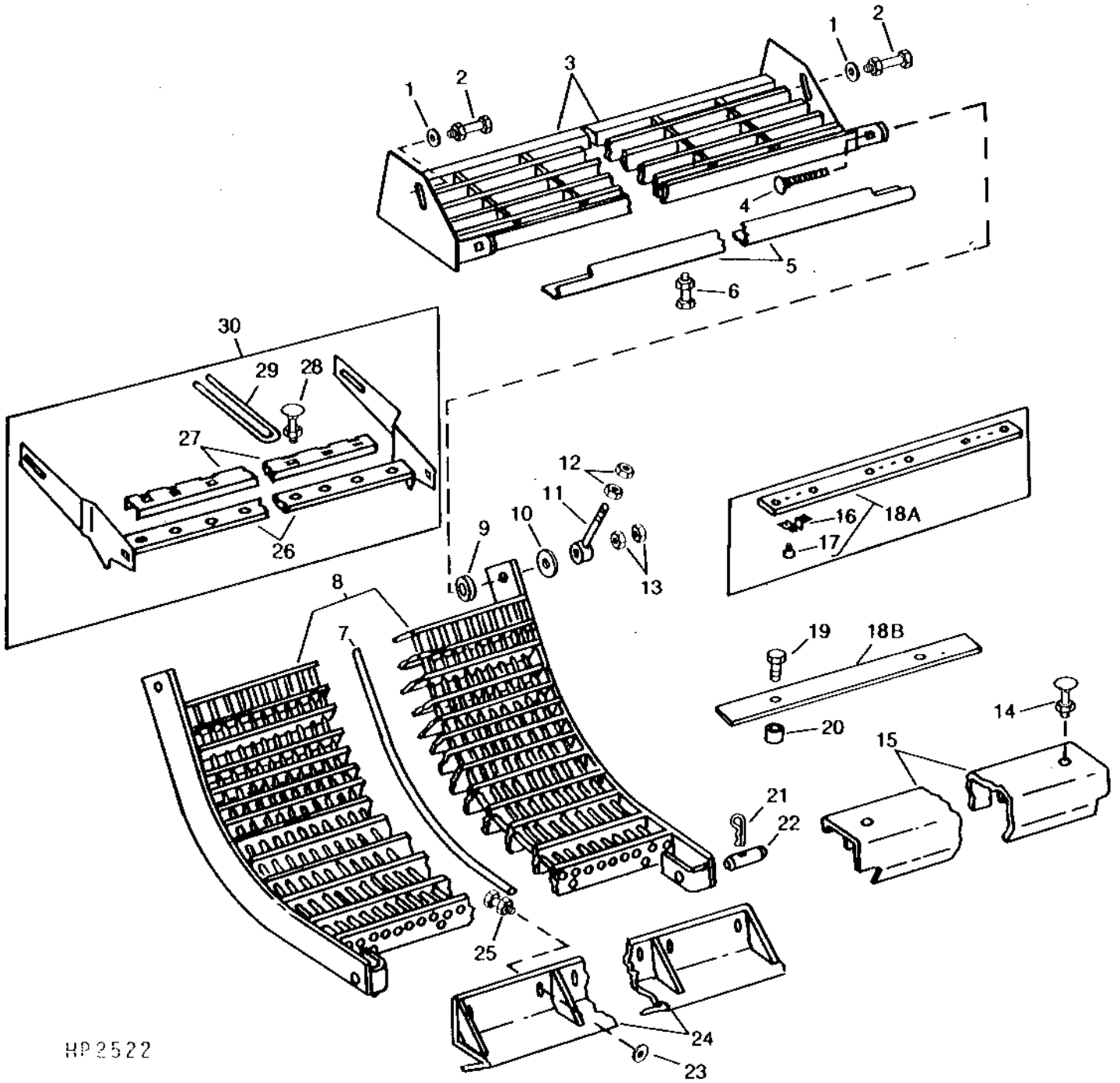
# 2G10

SEPARATOR

HP2522

-UN-01JAN94

OPEN-BAR CONCAVE, STONE TRAP, AND DOOR



HP 2522

# 2G11

SEPARATOR

## OPEN-BAR CONCAVE, STONE TRAP, AND DOOR - CONTINUED

| KEY | PART NO. | PART NAME   | QTY | SERIAL NO. | REMARKS                                       |
|-----|----------|-------------|-----|------------|---|
| 1   | 24H1111  | WASHER      | 2   |            | 17/32" X 1-1/16" X 0.090"                     |
| 2   | 19H1815  | CAP SCREW   | 2   |            | 1/2" X 1-1/4"                                 |
|     | 12H301   | LOCK WASHER | 2   |            | 1/2"  |
|     | 14H1040  | NUT         | 2   |            | 1/2"  |
| 3   | AH100283 | GRATE       | 1   | -450000    | (SUB AH106721)                                |
|     | AH106721 | GRATE       | 1   |            |   |
| 4   | 03H2240  | BOLT        | 2   |            | 3/4" X 3"                                     |
| 5   | H101189  | RETAINER    | 1   | -400000    | (SUB AH106278)                                |
|     | AH106278 | RETAINER    | 1   | -450000    | (SUB AH108733)                                |
|     | AH108733 | RETAINER    | 1   | -600000    |   |
|     | H116273  | RETAINER    | 1   | 600001-    | (USE WITH AH85396)                            |
| 6   | 19H1732  | CAP SCREW   | 4   |            | 3/8" X 1-1/4"                                 |
|     | 12H304   | LOCK WASHER | 4   |            | 3/8"  |
|     | 14H812   | NUT         | 4   |            | 3/8"  |
| 7   | H97824   | PIN         | 36  | -600000    |   |
|     | H84857   | DOWEL PIN   | 36  | 600001-    |   |
| 8   | AH101597 | CONCAVE     | 1   | -450000    | (SUB AH108863)                                |
|     | AH108863 | CONCAVE     | 1   | -600000    | (SUB AH85396)                                 |
|     | AH85396  | CONCAVE     | 1   |            | (USE WITH H116273)                            |
| 9   | H84869   | BUSHING     | 2   |            |   |
| 10  | 24H1161  | WASHER      | 2   |            | 13/16" X 1-15/32" X 0.134"                    |
| 11  | H84292   | EYEBOLT     | 2   |            |   |
| 12  | 14H821   | NUT         | 4   |            | 5/8"  |
| 13  | 14H794   | NUT         | 4   |            | 3/4"  |
| 14  | 03H1631  | BOLT        | 4   |            | 3/8" X 3-1/2"                                 |
|     | 12H304   | LOCK WASHER | 4   |            | 3/8"  |
|     | 14H812   | NUT         | 4   |            | 3/8"  |
| 15  | AH92382  | COVER       | 1   |            |   |
| 16  | P45427   | CLIP        | 6   | -610550    | (PER PLATE) (USE WITH AH85380)                |
| 17  | 16H235   | RIVET       | 6   | -610550    | 3/16" X 1/4", (PER PLATE) (USE WITH AH85380)  |
| 18A | AH85380  | PLATE       | 10  | -610550    | (SUB H119094)                                 |
| 18B | H119094  | PLATE       | 10  |            |   |
| 19  | 19H1732  | CAP SCREW   | 2   |            | 3/8" X 1-1/4", (PER PLATE) (USE WITH H119094) |
| 20  | AH118989 | ISOLATOR    | 2   |            | (PER PLATE) (USE WITH H119094)                |
| 21  | 11H218   | COTTER PIN  | 2   |            | 3/16" X 1-1/2"                                |
| 22  | H84867   | PIN         | 2   |            |   |
| 23  | 24H1305  | WASHER      | 6   |            | 13/32" X 13/16" X 0.065"                      |
| 24  | AH92372  | SEPARATOR   | 1   |            | STONE TRAP                                    |
| 25  | 19H2552  | CAP SCREW   | 6   |            | 3/8" X 1-1/8"                                 |
|     | 12H304   | LOCK WASHER | 6   |            | 3/8"  |
|     | 14H812   | NUT         | 6   |            | 3/8"  |
| 26  | AH107062 | GRATE       | 1   |            |   |
| 27  | H94170   | RETAINER    | 1   |            |   |
| 28  | 03H1937  | BOLT        | 17  |            | 5/16" X 1-1/4"                                |
|     | 12H303   | LOCK WASHER | 17  |            | 5/16"   |
|     | 14H785   | NUT         | 17  |            | 5/16"   |
| 29  | H87132   | FINGER      | 17  |            |   |
| 30  | AH106816 | GRATE       | 1   |            |   |

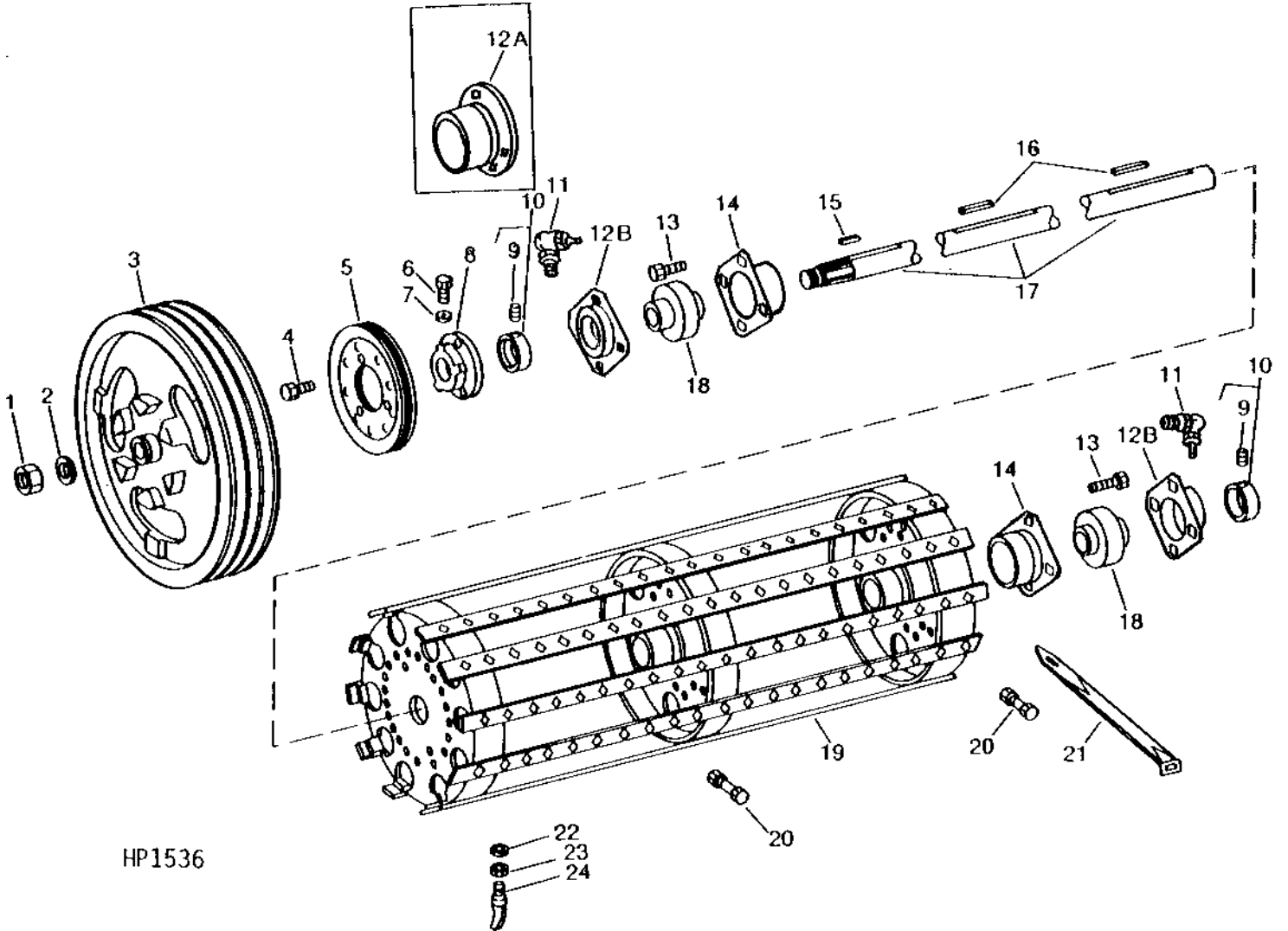
# 2G12

SEPARATOR

HP1536

-UN-01JAN94

## SPIKE-TOOTH CYLINDER



HP1536

# 2G13

SEPARATOR

## SPIKE-TOOTH CYLINDER - CONTINUED

| KEY | PART NO. | PART NAME                | QTY | SERIAL NO. | REMARKS   |
|-----|----------|--------------------------|-----|------------|---|
| 1   | H82619   | LOCK NUT                 | 1   |            |   |
| 2   | 24H1471  | WASHER                   | 1   |            | 1-9/64" X 1-3/4" X 0.134"   |
| 3   | H84542   | SHEAVE                   | 1   |            | 467 MM (18-25/64") DIA.   |
| 4   | 19H1936  | CAP SCREW                | 3   |            | 3/8" X 3/4"   |
| 5   | AH80755  | SHEAVE                   | 1   |            | 229 MM (9") DIA. (100 PER CENT BEATER SPEED)  |
|     | AH100303 | SHEAVE                   | 1   |            | 254 MM (10") DIA. (150 PER CENT BEATER SPEED)   |
| 6   | 22H888   | SET SCREW                | 1   |            | 3/8" X 1-1/4"   |
| 7   | 14H732   | NUT                      | 2   |            | 3/8"  |
| 8   | H82314   | HUB                      | 1   |            |   |
| 9   | 22H979   | SET SCREW                | 2   |            | 3/8" X 3/8"   |
| 10  | JD9201   | ECCENTRIC LOCKING COLLAR | 2   |            |   |
| 11  | JD7806   | LUBRICATION FITTING      | 2   | 500001-    | 90°, 1/4"   |
| 12A | G6661E   | PRESSED FLANGED HOUSING  | 2   | -450000    | (SUB E62484)  |
|     | E62484   | PRESSED FLANGED HOUSING  | 2   | -500000    |   |
| 12B | H113626  | PRESSED FLANGED HOUSING  | 2   | 500001-    |   |
| 13  | 19H1815  | CAP SCREW                | 8   |            | 1/2" X 1-1/4"   |
|     | 12H301   | LOCK WASHER              | 8   |            | 1/2"  |
| 14  | AH83380  | PRESSED FLANGED HOUSING  | 2   |            |   |
| 15  | .....    | KEY                      | 1   |            | 10 MM X 10 MM X 32 MM (3/8" X 3/8" X 1-1/4")<br>(CUT FROM H64376 IN AH64587 KEY STOCK KIT)        |
| 16  | .....    | KEY                      | 2   |            | (A) 10 MM X 10 MM X 57 MM (3/8" X 3/8" X<br>2-1/4") (CUT FROM H64376 IN AH64587 KEY<br>STOCK KIT) |
| 17  | H79757   | SHAFT                    | 1   |            | (A)   |
| 18  | JD9276   | BALL BEARING             | 2   | -500000    |   |
|     | JD9434   | BEARING                  | 2   | 500001-    |   |
| 19  | .....    | CYLINDER                 | 1   |            | (A) (SUB AH77670)   |
| 20  | 19H1930  | CAP SCREW                | 2   |            | (A) 1/2" X 2-1/2"   |
|     | P3629H   | LOCK WASHER              | 2   | -610600    | (A) (SUB 12H301)  |
|     | 12H301   | LOCK WASHER              | 2   |            | 1/2"  |
|     | 14H1040  | NUT                      | 2   |            | (A) 1/2"  |
| 21  | P5403H   | TOOL                     | 1   |            |   |
| 22  | 12H301   | LOCK WASHER              | AR  |            | (A) 1/2"  |
| 23  | 14H865   | NUT                      | AR  |            | (A) 1/2"  |
| 24  | P44H     | TOOTH                    | AR  |            | (A)   |

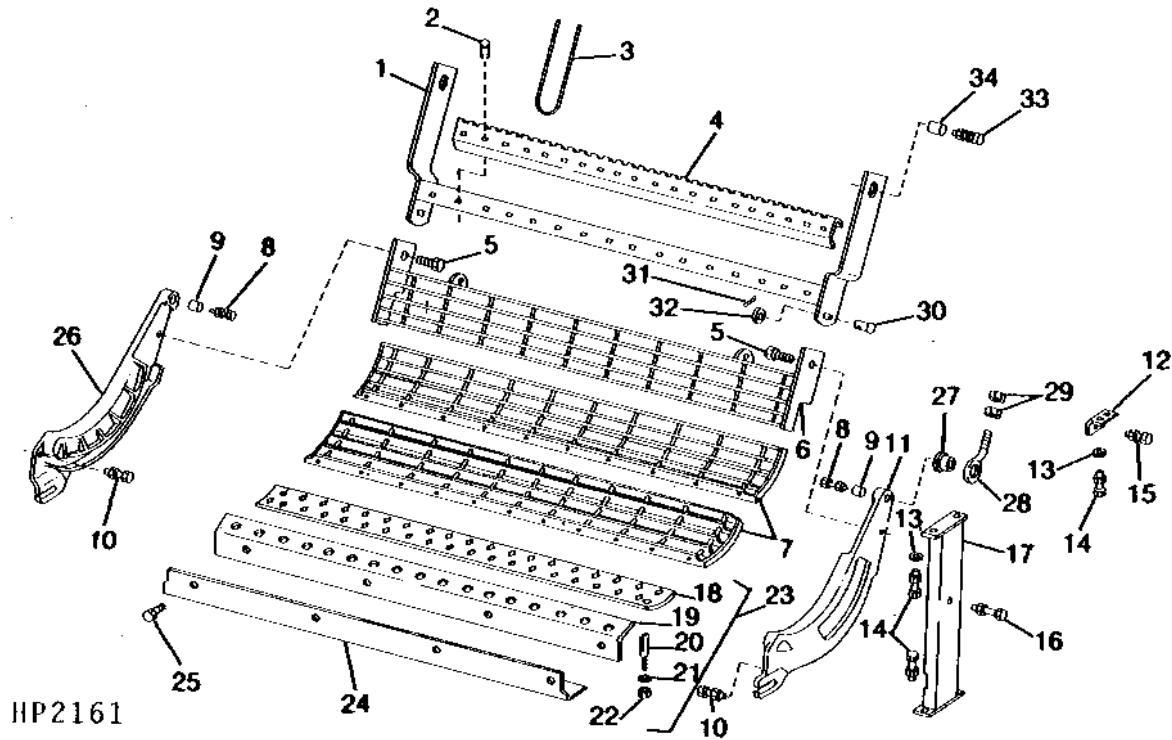
PART LISTED BELOW CONSISTS OF ALL PARTS IDENTIFIED BY AN (A):  
 .. AH77670 SPIKE-TOOTH CYLINDER 1

# 2G14

SEPARATOR

HP2161 -UN-01JAN94

## SPIKE-TOOTH CONCAVE



| KEY | PART NO. | PART NAME   | QTY | SERIAL NO.                | REMARKS |
|-----|----------|-------------|-----|---------------------------|---------|
| 1   | AH95892  | SUPPORT     | 1   |                           |         |
| 2   | 03H1544  | BOLT        | 15  | 5/16" X 1-1/4"            |         |
|     | 14H785   | NUT         | 15  | 5/16"                     |         |
| 3   | H87132   | FINGER      | 15  |                           |         |
| 4   | H96941   | RETAINER    | 1   |                           |         |
| 5   | 19H1792  | CAP SCREW   | 2   | 1/2" X 1"                 |         |
|     | 24H1111  | WASHER      | 2   | 17/32" X 1-1/16" X 0.090" |         |
|     | 28H1597  | WASHER      | 2   | 0.546" X 0.840" X 3/8"    |         |
| 6   | AH101526 | GRATE       | 1   |                           |         |
| 7   | AH86873  | GRATE       | 2   |                           |         |
| 8   | 19H1945  | CAP SCREW   | 2   | 1/2" X 3-1/4"             |         |
|     | 12H301   | LOCK WASHER | 2   | 1/2"                      |         |
|     | 14H1040  | NUT         | 2   | 1/2"                      |         |
| 9   | 28H1676  | BUSHING     | 2   | 1/2" X 1-5/8"             |         |
| 10  | 19H1900  | CAP SCREW   | 2   | 5/16" X 3/4"              |         |
|     | 12H303   | LOCK WASHER | 2   | 5/16"                     |         |
|     | 28H1511  | WASHER      | 2   | 0.364" X 0.540" X 1/4"    |         |
| 11  | H85903   | CONCAVE     | 1   |                           |         |
| 12  | H94435   | BRACKET     | 2   |                           |         |
| 13  | 24H1136  | WASHER      | AR  | 11/32" X 11/16" X 0.065"  |         |
| 14  | 19H1905  | CAP SCREW   | 12  | 5/16" X 1"                |         |
|     | 14H785   | NUT         | 12  | 5/16"                     |         |
| 15  | 19H2461  | CAP SCREW   | 2   | 3/8" X 1-1/4"             |         |
|     | 14H812   | NUT         | 2   | 3/8"                      |         |
| 16  | 19H3162  | CAP SCREW   | 2   | 3/8" X 2"                 |         |
|     | 14H812   | NUT         | 2   | 3/8"                      |         |
| 17  | AH77906  | SUPPORT     | 2   |                           |         |
| 18  | H79996   | PLATE       | 2   |                           |         |
| 19  | AH80789  | SEAL        | 1   |                           |         |
| 20  | P44H     | TOOTH       | AR  |                           |         |
| 21  | 12H301   | LOCK WASHER | AR  | 1/2"                      |         |
| 22  | 14H865   | NUT         | AR  | 1/2"                      |         |
| 23  | AH78550  | CONCAVE     | AR  | (1 OR 2 USED)             |         |



# 2G15

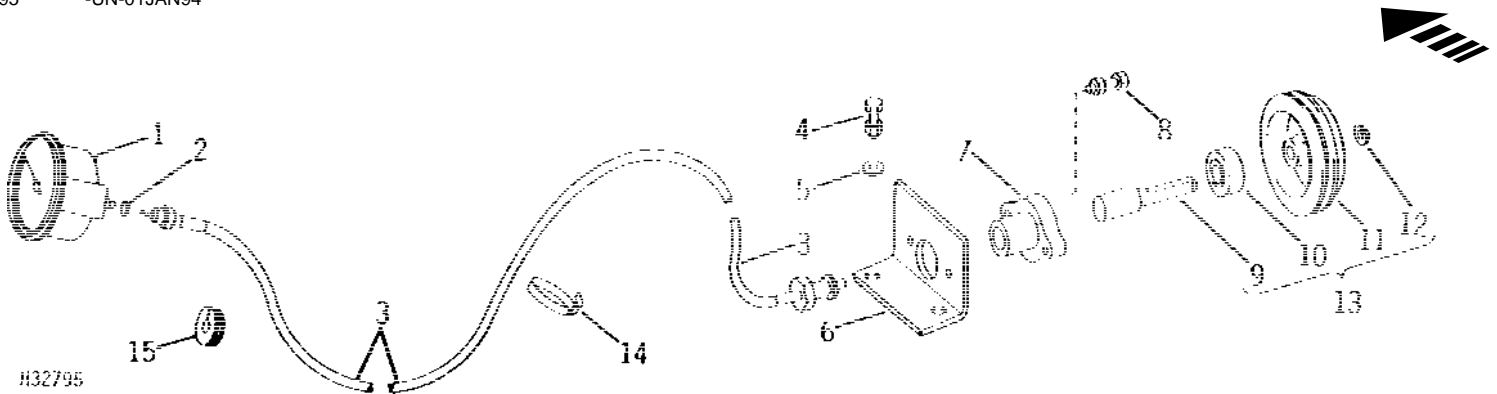
SEPARATOR

## SPIKE-TOOTH CONCAVE - CONTINUED

| KEY | PART NO. | PART NAME   | QTY | SERIAL NO. | REMARKS   |
|-----|----------|-------------|-----|------------|---|
| 24  | H82368   | EXTENSION   | 1   |            |   |
| 25  | H77931   | SCREW       | 5   |            | SELF-TAPPING  |
| 26  | H85904   | CONCAVE     | 1   |            | CIRCLE, R.H.  |
| 27  | H84295   | BUSHING     | 2   |            |   |
| 28  | H84292   | EYEBOLT     | 2   |            |   |
| 29  | 14H821   | NUT         | 4   |            | 5/8"  |
| 30  | N104051  | PIN         | 2   |            |   |
| 31  | 11H213   | COTTER PIN  | 2   |            | 3/16" X 1-3/4"  |
| 32  | 24H1211  | WASHER      | 2   |            | 9/16" X 1-3/8" X 0.105"   |
| 33  | 19H1721  | CAP SCREW   | 2   |            | 1/2" X 1-1/2"   |
|     | 12H301   | LOCK WASHER | 2   |            | 1/2"  |
|     | 14H1040  | NUT         | 2   |            | 1/2"  |
|     | 24H1211  | WASHER      | 2   |            | 9/16" X 1-3/8" X 0.105"   |
| 34  | 28H2482  | BUSHING     | 2   |            | 1/2" X 1/2"   |
| ..  | AH95889  | FINGER      | 1   |            | (CONSISTS OF AH95892, (15) H87132, H96941,<br>(15) 03H1544, (15) 12H303, AND (15) 14H785) |

## VARIABLE SPEED CYLINDER TACHOMETER

H32795 -UN-01JAN94



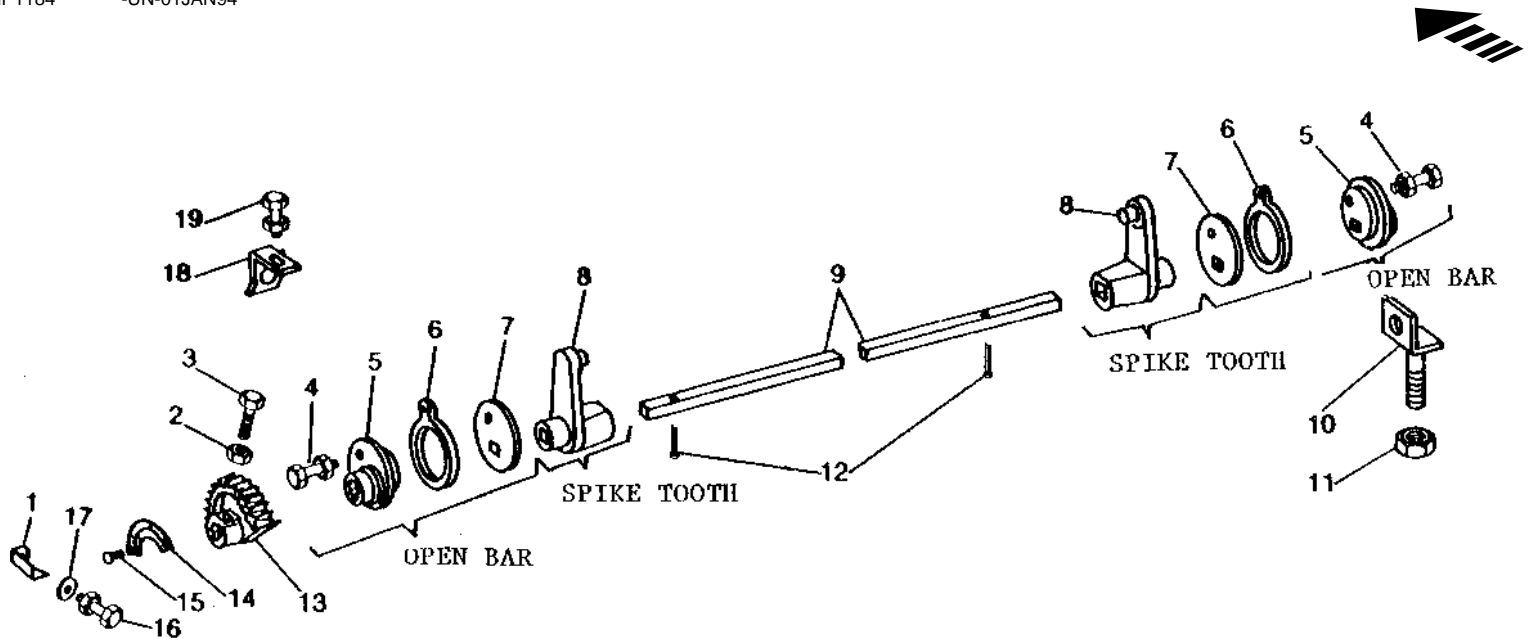
| KEY | PART NO. | PART NAME    | QTY | SERIAL NO. | REMARKS                  |
|-----|----------|--------------|-----|------------|--------------------------|
| 1   | AH91002  | TACHOMETER   | 1   |            |                          |
| 2   | 14H631   | NUT          | 2   |            | 0.190"                   |
| 3   | AH75616  | CABLE        | 1   |            |                          |
| 4   | 19H1731  | CAP SCREW    | 2   |            | 3/8" X 1"                |
|     | 12H304   | LOCK WASHER  | 2   |            | 3/8"                     |
|     | 14H812   | NUT          | 2   |            | 3/8"                     |
| 5   | 24H1305  | WASHER       | 2   |            | 13/32" X 13/16" X 0.065" |
| 6   | H100973  | BRACKET      | 1   |            |                          |
| 7   | H100586  | HUB          | 1   |            |                          |
| 8   | 21H1287  | SCREW        | 2   |            | 1/4" X 1-1/4"            |
|     | 12H302   | LOCK WASHER  | 2   |            | 1/4"                     |
|     | 14H786   | NUT          | 2   |            | 1/4"                     |
| 9   | H100584  | SHAFT        | 1   |            |                          |
| 10  | JD9399   | BALL BEARING | 1   | -550000    | (SUB AT23189)            |
|     | AT23189  | BALL BEARING | 1   |            |                          |
| 11  | H100585  | SHEAVE       | 1   |            |                          |
| 12  | R11026   | SNAP RING    | 1   |            |                          |
| 13  | AH99422  | SHAFT        | 1   |            |                          |
| 14  | H77698   | TIE BAND     | 1   |            |                          |
| 15  | H80305   | GROMMET      | 1   |            |                          |

# 2G16

SEPARATOR

HP1184 -UN-01JAN94

## CONCAVE ADJUSTING SHAFT



HP1184

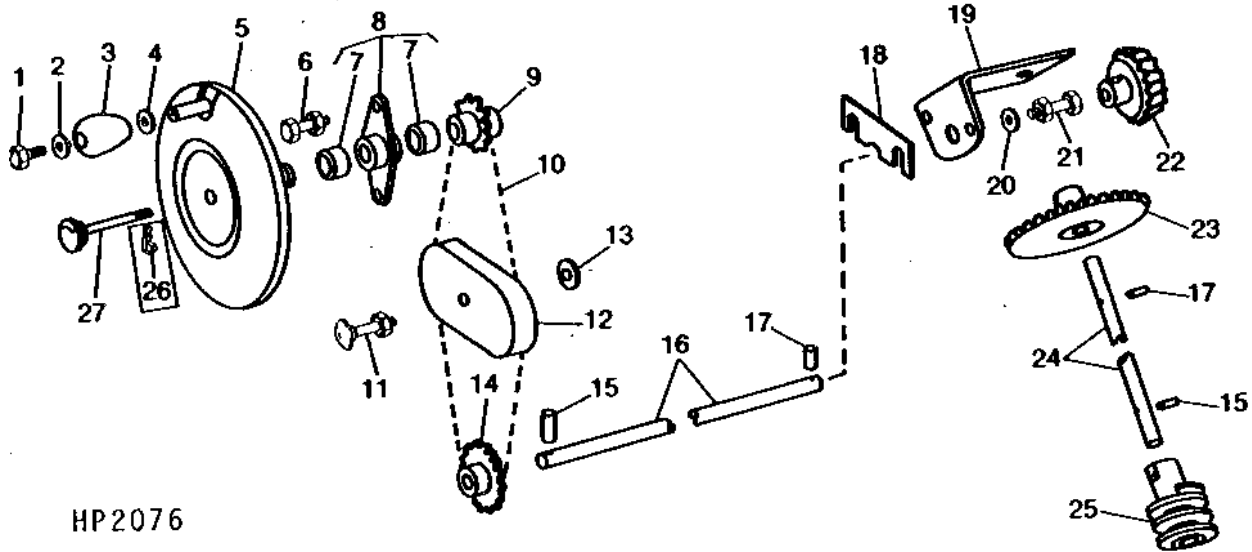
| KEY | PART NO. | PART NAME  | QTY | SERIAL NO.          | REMARKS                         |
|-----|----------|------------|-----|---------------------|---------------------------------|
| 1   | H85229   | POINTER    | 1   |                     |                                 |
| 2   | 14H732   | NUT        | 1   | 3/8"                |                                 |
| 3   | 22H853   | SET SCREW  | 1   | 3/8" X 7/8"         |                                 |
| 4   | 19H1906  | CAP SCREW  | 2   | 5/16" X 1-1/2"      |                                 |
|     | 14H785   | NUT        | 2   | 5/16"               |                                 |
| 5   | H89619   | CAM        | 2   |                     |                                 |
| 6   | H85372   | LINK       | 2   |                     |                                 |
| 7   | H75367   | PLATE      | 2   |                     |                                 |
| 8   | H89620   | ARM        | 2   |                     |                                 |
| 9   | H75374   | SHAFT      | 1   |                     |                                 |
| 10  | AH94130  | BOLT       | 1   |                     |                                 |
| 11  | 14H794   | NUT        | 2   | 3/4"                |                                 |
| 12  | 11H222   | COTTER PIN | 2   | 3/16" X 2"          |                                 |
| 13  | H82447   | SECTOR     | 1   |                     |                                 |
| 14  | H82444   | PLATE      | 1   |                     | (SPIKE TOOTH)                   |
|     | H82445   | PLATE      | 1   |                     | (RASP BAR)                      |
| 15  | P43110   | SCREW      | 2   |                     |                                 |
| 16  | 03H1540  | BOLT       | 1   | 5/16" X 3/4"        |                                 |
|     | 14H785   | NUT        | 1   | 5/16"               |                                 |
| 17  | 24H1224  | WASHER     | 1   | 11/32" X 1" X 1/16" |                                 |
| 18  | H94304   | STOP       | 1   |                     | (USED WITH SPIKE-TOOTH CONCAVE) |
| 19  | 03H1709  | BOLT       | 1   | 5/16" X 1"          |                                 |
|     | 14H819   | WING NUT   | 1   | 5/16"               |                                 |

# 2G17

SEPARATOR

HP2076 -UN-01JAN94

## CONCAVE ADJUSTING CONTROLS



HP2076

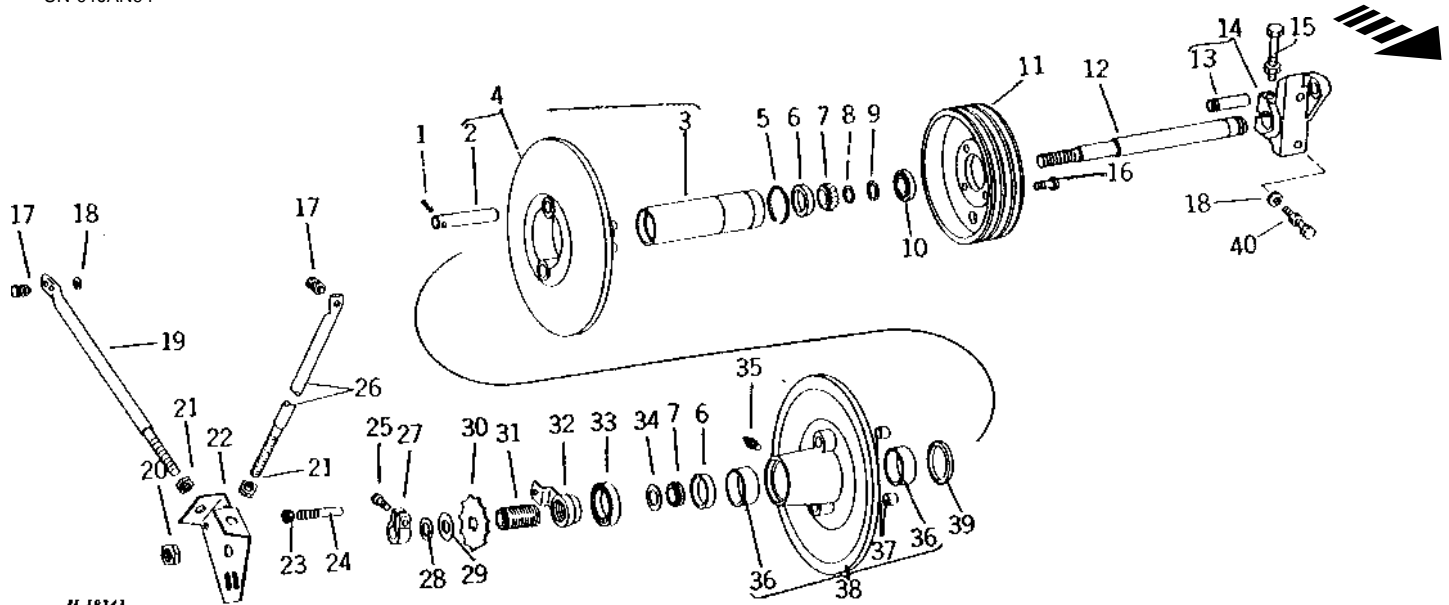
| KEY | PART NO. | PART NAME      | QTY | SERIAL NO. | REMARKS   |
|-----|----------|----------------|-----|------------|---|
| 1   | 19H2948  | SCREW          | 1   |            | 1/4" X 0.380"   |
| 2   | 24H1286  | WASHER         | 1   |            | 9/32" X 1/2" X 1/16"  |
| 3   | H76517   | KNOB           | 1   |            |   |
| 4   | H82448   | WASHER         | 1   |            |   |
| 5   | AH97873  | CRANK          | 1   | -600000    |   |
|     | AH95020  | CRANK          | 1   | 600001-    |   |
| 6   | 19H1905  | CAP SCREW      | 2   |            | 5/16" X 1"  |
|     | 14H785   | NUT            | 2   |            | 5/16"   |
| 7   | H96455   | BUSHING        | 2   | 600001-    |   |
| 8   | H76502   | BEARING        | 1   | -600000    |   |
|     | AH112198 | BEARING        | 1   | 600001-    |   |
| 9   | H94783   | CHAIN SPROCKET | 1   | -600000    | 11 TEETH  |
|     | H100016  | SHAFT          | 1   | 600001-    | 9 TEETH   |
| 10  | .....    | LINK CHAIN     | 1   | -600000    | 98 LINKS, 13 MM (1/2") PITCH ROLLER CHAIN<br>(ASSEMBLE FROM 97 LINKS OF AB18594 AND<br>AB14025)       |
|     | .....    | LINK CHAIN     | 1   | 600001-    | 97 LINKS, 13 MM (1/2") PITCH ROLLER CHAIN<br>(ASSEMBLE FROM (96) LINKS OF AB18594 AND<br>(1) AB14052) |
| 11  | 03H1505  | BOLT           | 1   |            | 5/16" X 1-3/4"  |
|     | 14H785   | NUT            | 1   |            | 5/16"   |
| 12  | H76518   | TIGHTENER      | 1   |            |   |
| 13  | 24H1294  | WASHER         | 1   |            | 11/32" X 1-1/8" X 1/16"   |
| 14  | H89035   | CHAIN SPROCKET | 1   |            | 14 TEETH  |
| 15  | 34H283   | SPRING PIN     | 2   |            | 3/16" X 1-1/8"  |
| 16  | H76507   | PIN            | 1   |            | UPPER   |
| 17  | 34H282   | SPRING PIN     | 2   |            | 3/16" X 1"  |
| 18  | H80686   | STRAP          | AR  |            |   |
| 19  | H76505   | BRACKET        | 1   |            |   |
| 20  | 24H1237  | WASHER         | 2   |            | 25/64" X 7/8" X 0.060"  |
| 21  | 19H1731  | CAP SCREW      | 2   |            | 3/8" X 1"   |
|     | 14H812   | NUT            | 2   |            | 3/8"  |
| 22  | H76503   | SUN GEAR       | 1   |            | 13 TEETH  |
| 23  | H76504   | GEAR           | 1   |            | 26 TEETH  |
| 24  | H76515   | PIN            | 1   |            | LOWER   |
| 25  | H100400  | GEAR           | 1   |            | LOWER   |
| 26  | 11H266   | COTTER PIN     | 1   | -600000    | 1/16" X 1/2"  |
| 27  | AH78915  | KNOB           | 1   | -600000    |   |
|     | AH95018  | KNOB           | 1   | 600001-    |   |

# 2G18

SEPARATOR

H19343 -UN-01JAN94

## CYLINDER DRIVE INTERMEDIATE SHAFT



| KEY | PART NO. | PART NAME           | QTY | SERIAL NO. | REMARKS  |
|-----|----------|---------------------|-----|------------|--|
| 1   | 34H313   | SPRING PIN          | 2   |            | 1/4" X 1-1/8"  |
| 2   | H75695   | PIN                 | 2   |            |  |
| 3   | H75696   | SPOOL               | 1   |            |  |
| 4   | AH75294  | SHEAVE              | 1   |            | 356 MM (14-1/32") DIA. (MARKED H75007)                 |
| 5   | R26246   | SNAP RING           | 1   |            |  |
| 6   | JD8225   | BEARING CUP         | 2   |            |  |
| 7   | JD8187   | BEARING CONE        | 2   |            |  |
| 8   | H2172B   | WASHER              | 1   |            |  |
| 9   | P33554   | SNAP RING           | 1   |            |  |
| 10  | AH75296  | SEAL                | 1   |            |  |
| 11  | H79646   | SHEAVE              | 1   |            | 174 MM (6-55/64")DIA. (SLOW SPEED CYLINDER ATTACHMENT) |
|     | H79647   | SHEAVE              | 1   |            | 215 MM (8-29/64") DIA.                                 |
| 12  | H75697   | SHAFT               | 1   |            |  |
| 13  | H79683   | PIN                 | 1   |            |  |
| 14  | AH77606  | BRACKET             | 1   |            | (MARKED H79638)  |
| 15  | 19H2444  | CAP SCREW           | 1   |            | 7/16" X 3-1/4"   |
| 16  | 19H1732  | CAP SCREW           | 4   |            | 3/8" X 1-1/4"  |
| 17  | 19H1731  | CAP SCREW           | 3   |            | 3/8" X 1"  |
|     | 14H812   | NUT                 | 3   |            | 3/8"   |
| 18  | 24H1305  | WASHER              | 3   |            | 13/32" X 13/16" X 0.065"                               |
| 19  | AH75300  | BRACE               | 1   |            | REAR   |
| 20  | 14H962   | NUT                 | 1   |            | 1"   |
| 21  | 14H794   | NUT                 | 4   |            | 3/4"   |
| 22  | H79688   | PLATE               | 1   |            |  |
| 23  | 14H1040  | NUT                 | 2   |            | 1/2"   |
| 24  | H75555   | STUD                | 1   |            |  |
| 25  | 19H1800  | CAP SCREW           | 1   |            | 3/8" X 1-1/2"  |
| 26  | AH75299  | BRACE               | 1   |            | FRONT  |
| 27  | H75348   | NUT                 | 1   |            |  |
| 28  | H78360   | WASHER              | 1   |            |  |
| 29  | J4489H   | WASHER              | 1   |            |  |
| 30  | H89034   | CHAIN SPROCKET      | 1   |            | 28 TEETH   |
| 31  | H89033   | SCREW               | 1   |            |  |
| 32  | AH75297  | NUT                 | 1   |            |  |
| 33  | JD9241   | BALL BEARING        | 1   |            |  |
| 34  | H75346   | WASHER              | 1   |            |  |
| 35  | JD7797   | LUBRICATION FITTING | 1   |            | STRAIGHT, 1/4"   |
| 36  | H84935   | BUSHING             | 2   |            |  |
| 37  | H75693   | BUSHING             | 2   |            |  |
| 38  | AH75293  | SHEAVE              | 1   |            | 356 MM (14-1/32") DIA. (MARKED H75009)                 |
| 39  | AH75295  | SEAL                | 1   |            |  |
| 40  | 19H1944  | CAP SCREW           | 2   |            | 3/8" X 2-3/4"  |
|     | 14H812   | NUT                 | 2   |            | 3/8"   |

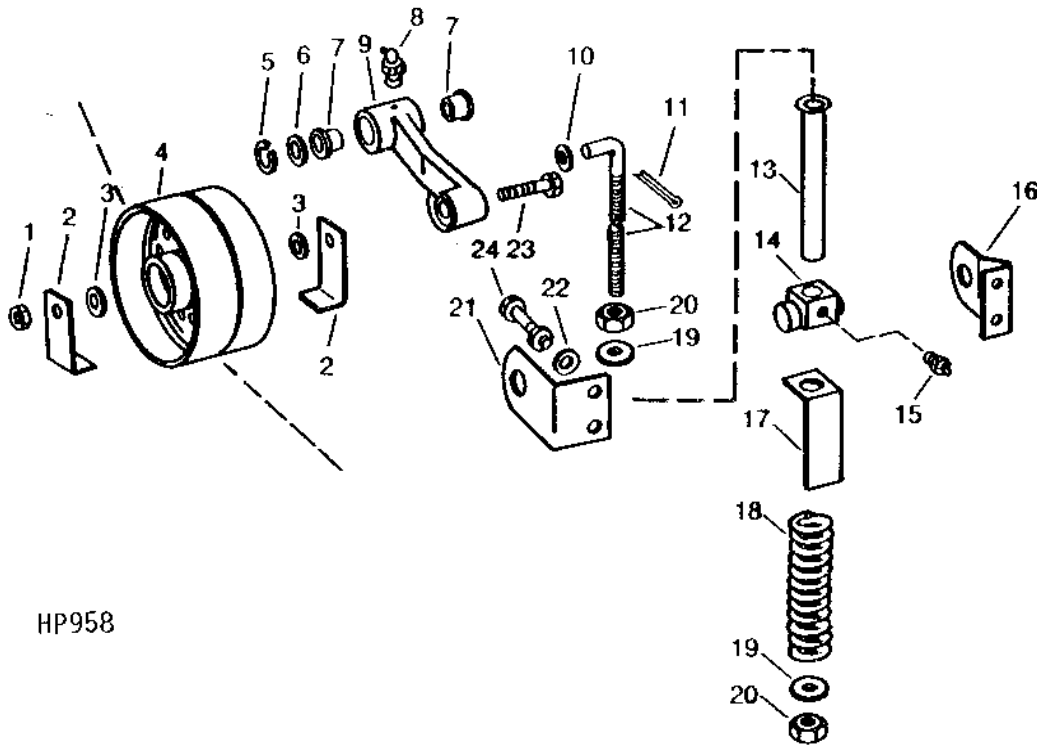
# 2G19

SEPARATOR

HP958

-UN-01JAN94

## CYLINDER DRIVE TIGHTENER



HP958

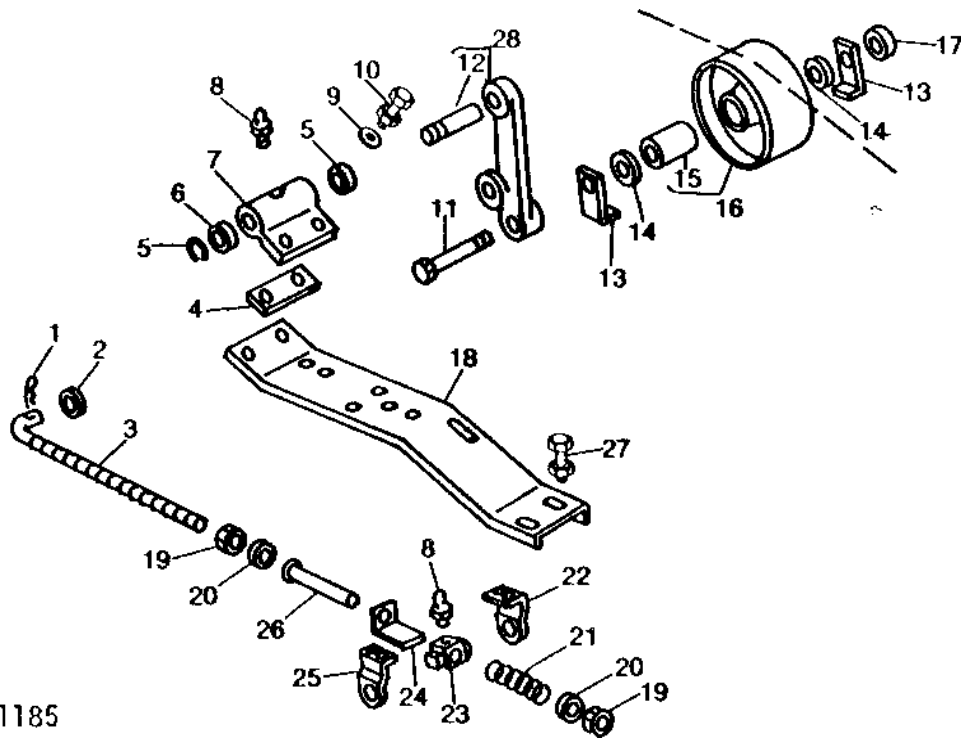
| KEY | PART NO. | PART NAME           | QTY | SERIAL NO. | REMARKS                             |
|-----|----------|---------------------|-----|------------|-------------------------------------|
| 1   | H79449   | LOCK NUT            | 1   | -610550    | (SUB K40014)                        |
|     | K40014   | LOCK NUT            | 1   |            |                                     |
| 2   | H94395   | BRACKET             | 2   |            |                                     |
| 3   | T21242   | WASHER              | 2   |            |                                     |
| 4   | AH86835  | SHEAVE              | 1   |            | 165 MM (6-1/2") DIA. (WITH AH81161) |
|     | AH81161  | BALL BEARING        | 1   |            |                                     |
| 5   | P46614   | SNAP RING           | 1   |            |                                     |
| 6   | 24H1413  | WASHER              | 1   |            | 57/64" X 1-3/8" X 0.048"            |
| 7   | H85857   | BUSHING             | 2   |            |                                     |
| 8   | JD7788   | LUBRICATION FITTING | 2   |            | 45°, 1/4"                           |
| 9   | H85862   | ARM                 | 1   |            |                                     |
| 10  | 24H1338  | WASHER              | 1   |            | 33/64" X 7/8" X 0.048"              |
| 11  | 11H236   | COTTER PIN          | 1   |            | 1/8" X 1"                           |
| 12  | H85580   | BOLT                | 1   |            |                                     |
| 13  | H75571   | SPACER              | 1   |            |                                     |
| 14  | H86082   | SWIVEL              | 1   |            |                                     |
| 15  | JD7788   | LUBRICATION FITTING | 1   |            | 45°, 1/4"                           |
| 16  | H75689   | CLIP                | 1   |            | INNER                               |
| 17  | H75688   | ANGLE               | 1   |            |                                     |
| 18  | H26552   | SPRING              | 1   |            |                                     |
| 19  | 24H1211  | WASHER              | 2   |            | 9/16" X 1-3/8" X 0.105"             |
| 20  | 14H865   | NUT                 | 2   |            | 1/2"                                |
| 21  | H75690   | CLIP                | 1   |            | OUTER                               |
| 22  | 24H1305  | WASHER              | 2   |            | 13/32" X 13/16" X 0.065"            |
| 23  | 19H2123  | CAP SCREW           | 1   |            | 1/2" X 4-1/4"                       |
| 24  | 19H1733  | CAP SCREW           | 2   |            | 3/8" X 2-1/2"                       |
|     | 14H812   | NUT                 | 2   |            | 3/8"                                |

# 2G20

SEPARATOR

HP1185 -UN-01JAN94

## INTERMEDIATE SHAFT DRIVE TIGHTENER



HP1185

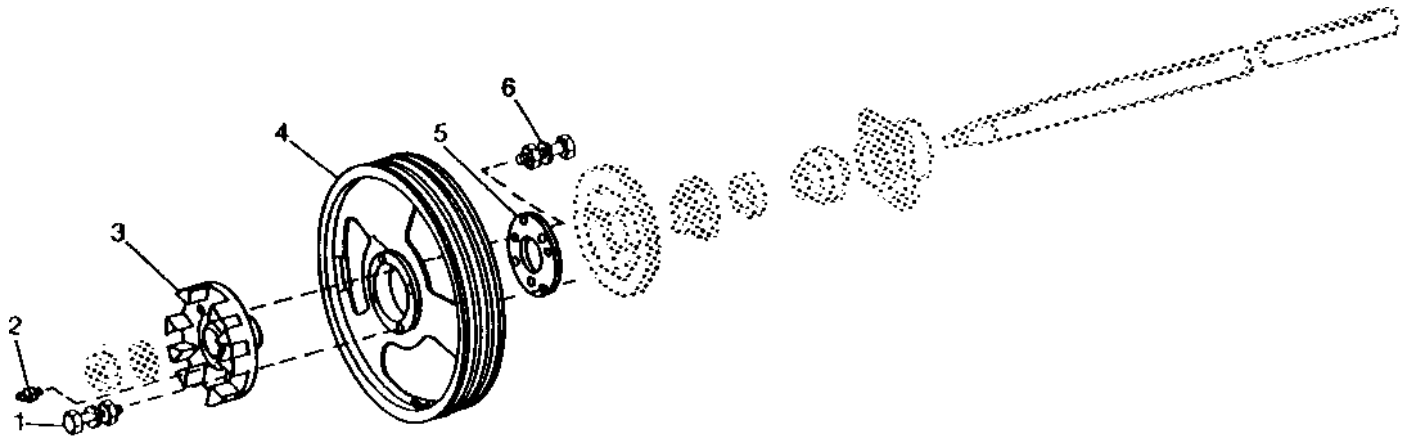
| KEY | PART NO. | PART NAME           | QTY | SERIAL NO. | REMARKS                              |
|-----|----------|---------------------|-----|------------|--------------------------------------|
| 1   | 11H236   | COTTER PIN          | 1   |            | 1/8" X 1"                            |
| 2   | 24H1338  | WASHER              | 1   |            | 33/64" X 7/8" X 0.048"               |
| 3   | H85579   | BOLT                | 1   |            |                                      |
| 4   | H85440   | STRAP               | 1   |            | (SLOW SPEED)                         |
| 5   | P46614   | SNAP RING           | 1   |            |                                      |
| 6   | H85857   | BUSHING             | 2   |            |                                      |
| 7   | H79599   | PIVOT               | 1   |            |                                      |
| 8   | JD7797   | LUBRICATION FITTING | 2   |            | STRAIGHT, 1/4"                       |
| 9   | 24H1305  | WASHER              | 1   |            | 13/32" X 13/16" X 0.065"             |
| 10  | 19H1732  | CAP SCREW           | 2   |            | 3/8" X 1-1/4"                        |
|     | 19H1801  | CAP SCREW           | 2   |            | 3/8" X 2", (SLOW SPEED)              |
|     | 14H812   | NUT                 | 2   |            | 3/8"                                 |
| 11  | 19H1739  | CAP SCREW           | 1   |            | 1/2" X 4-1/2"                        |
| 12  | H85858   | PIN                 | 1   |            |                                      |
| 13  | H94396   | BRACKET             | 2   |            |                                      |
| 14  | T21242   | WASHER              | 2   |            |                                      |
| 15  | AH81161  | BALL BEARING        | 1   |            |                                      |
| 16  | AH86839  | IDLER               | 1   |            | 165 MM (6-1/2") DIA. (MARKED H85863) |
| 17  | H79449   | LOCK NUT            | 1   | -610550    | (SUB K40014)                         |
|     | K40014   | LOCK NUT            | 1   |            |                                      |
| 18  | H86667   | SUPPORT             | 1   | -450000    | (SUB H109579)                        |
|     | H109579  | SUPPORT             | 1   |            |                                      |
| 19  | 14H865   | NUT                 | 2   |            | 1/2"                                 |
| 20  | 24H1211  | WASHER              | 2   |            | 9/16" X 1-3/8" X 0.105"              |
| 21  | H26552   | SPRING              | 1   |            |                                      |
| 22  | H75689   | CLIP                | 1   |            | INNER                                |
| 23  | H86062   | SWIVEL              | 1   |            |                                      |
| 24  | H75282   | ANGLE               | 1   |            |                                      |
| 25  | H79689   | CLIP                | 1   |            | OUTER                                |
| 26  | H75571   | SPACER              | 1   |            |                                      |
| 27  | 03H1519  | BOLT                | 2   |            | 3/8" X 1"                            |
|     | 12H304   | LOCK WASHER         | 2   |            | 3/8"                                 |
|     | 14H812   | NUT                 | 2   |            | 3/8"                                 |
| 28  | AH86836  | ARM                 | 1   |            | (MARKED H85860)                      |

# 2G21

SEPARATOR

HP1186 -UN-01JAN94

## CYLINDER SHAFT SHEAR HUB AND SHEAVE



HP1186

| KEY | PART NO. | PART NAME           | QTY | SERIAL NO.             | REMARKS |
|-----|----------|---------------------|-----|------------------------|---------|
| 1   | 19H2335  | CAP SCREW           | 1   | 1/4" X 2-3/4"          |         |
|     | 12H302   | LOCK WASHER         | 1   | 1/4"                   |         |
|     | 14H786   | NUT                 | 1   | 1/4"                   |         |
| 2   | JD7797   | LUBRICATION FITTING | 1   | STRAIGHT, 1/4"         |         |
| 3   | H94232   | HUB                 | 1   |                        |         |
| 4   | H92382   | SHEAVE              | 1   | 457 MM (18-25/64") DIA |         |
| 5   | H92418   | PLATE               | 1   |                        |         |
| 6   | 19H1733  | CAP SCREW           | 3   | 3/8" X 2-1/2"          |         |
|     | 12H304   | LOCK WASHER         | 3   | 3/8"                   |         |
|     | 14H812   | NUT                 | 3   | 3/8"                   |         |

MEMORANDA

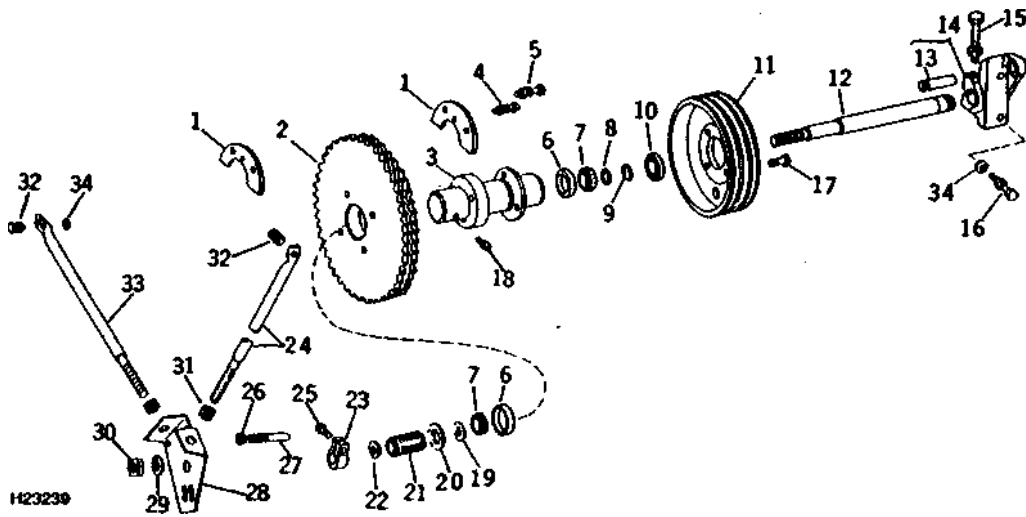


# 2G22

SEPARATOR

H23239 -UN-01JAN94

## SLOW SPEED CYLINDER DRIVE INTERMEDIATE SHAFT



| KEY | PART NO. | PART NAME           | QTY | SERIAL NO.                | REMARKS |
|-----|----------|---------------------|-----|---------------------------|---------|
| 1   | H85450   | PLATE               | 4   |                           |         |
| 2   | H85448   | CHAIN SPROCKET      | 1   | 77 TEETH                  |         |
| 3   | AH86431  | HUB                 | 1   |                           |         |
| 4   | 19H1996  | CAP SCREW           | 1   | 1/4" X 2"                 |         |
|     | 12H302   | LOCK WASHER         | 1   | 1/4"                      |         |
|     | 14H786   | NUT                 | 1   | 1/4"                      |         |
| 5   | 19H1726  | CAP SCREW           | 4   | 3/8" X 2-1/4"             |         |
|     | 12H304   | LOCK WASHER         | 4   | 3/8"                      |         |
|     | 14H812   | NUT                 | 4   | 3/8"                      |         |
| 6   | JD8225   | BEARING CUP         | 2   |                           |         |
| 7   | JD8187   | BEARING CONE        | 2   |                           |         |
| 8   | H2172B   | WASHER              | 1   |                           |         |
| 9   | P33554   | SNAP RING           | 1   |                           |         |
| 10  | AH75296  | SEAL                | 1   |                           |         |
| 11  | H79646   | SHEAVE              | 1   | 174 MM (6-55/64") DIA.    |         |
| 12  | H75697   | SHAFT               | 1   |                           |         |
| 13  | H79683   | PIN                 | 1   |                           |         |
| 14  | AH77606  | BRACKET             | 1   | (MARKED H79638)           |         |
| 15  | 19H2444  | CAP SCREW           | 1   | 7/16" X 3-1/4"            |         |
| 16  | 19H1944  | CAP SCREW           | 2   | 3/8" X 2-3/4"             |         |
|     | 14H812   | NUT                 | 2   | 3/8"                      |         |
| 17  | 19H1732  | CAP SCREW           | 4   | 3/8" X 1-1/4"             |         |
|     | 12H304   | LOCK WASHER         | 4   | 3/8"                      |         |
| 18  | JD7797   | LUBRICATION FITTING | 1   | STRAIGHT, 1/4"            |         |
| 19  | 24H1266  | WASHER              | 1   | 1-9/32" X 1-3/4" X 0.060" |         |
| 20  | AH76193  | SEAL                | 1   |                           |         |
| 21  | H85449   | BUSHING             | 1   |                           |         |
| 22  | H78360   | WASHER              | 1   |                           |         |
| 23  | H75348   | NUT                 | 1   |                           |         |
| 24  | AH75299  | BRACE               | 1   | FRONT                     |         |
| 25  | 19H1800  | CAP SCREW           | 1   | 3/8" X 1-1/2"             |         |
| 26  | 14H1040  | NUT                 | 2   | 1/2"                      |         |
| 27  | H75555   | STUD                | 1   |                           |         |
| 28  | H79688   | PLATE               | 1   |                           |         |
| 29  | 12H234   | LOCK WASHER         | 1   | 1"                        |         |
| 30  | 14H962   | NUT                 | 1   | 1"                        |         |
| 31  | 14H794   | NUT                 | 4   | 3/4"                      |         |
| 32  | 19H1731  | CAP SCREW           | 3   | 3/8" X 1"                 |         |
|     | 14H812   | NUT                 | 3   | 3/8"                      |         |
| 33  | AH75300  | BRACE               | 1   | REAR                      |         |
| 34  | 24H1305  | WASHER              | 3   | 13/32" X 13/16" X 0.065"  |         |

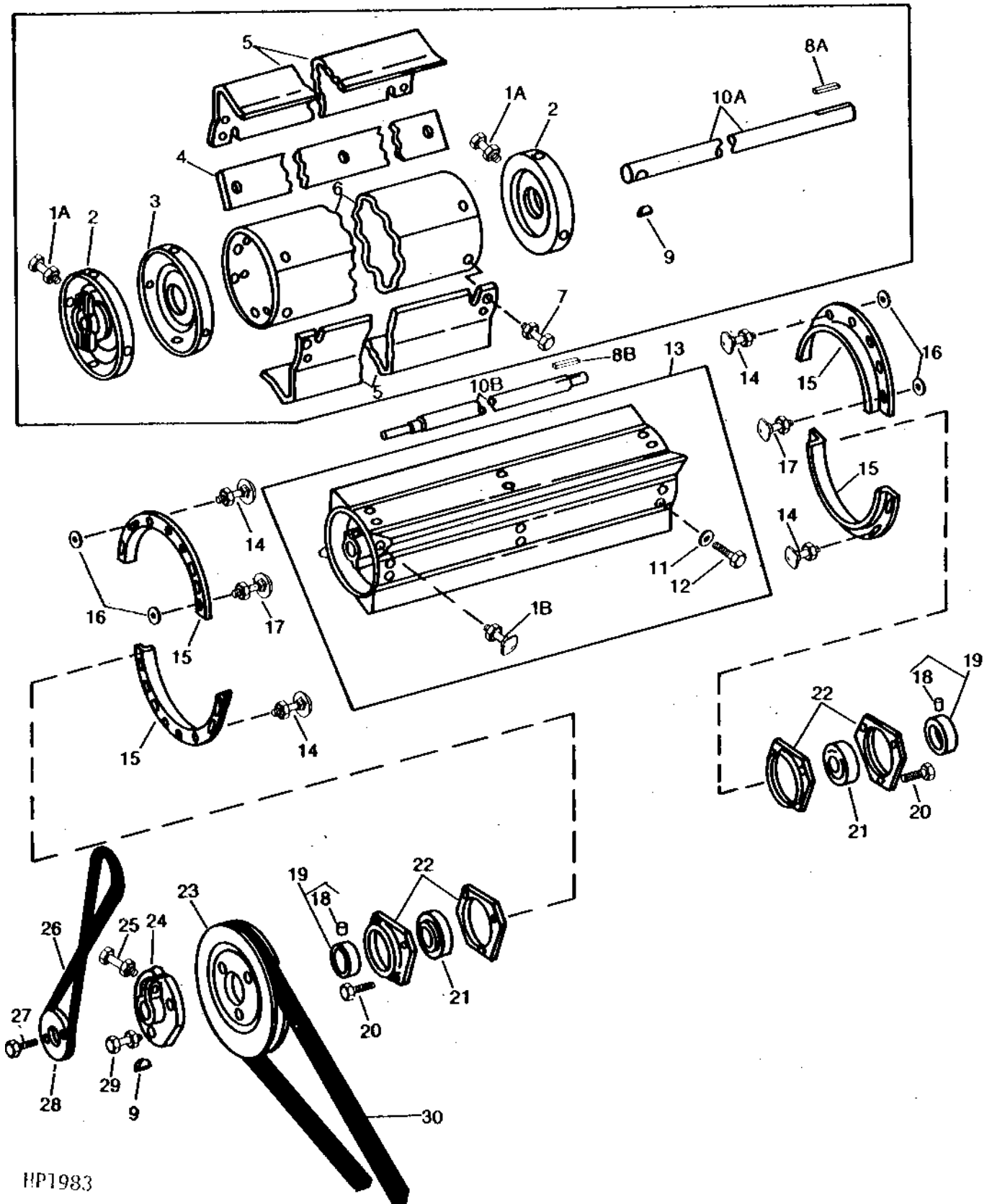
# 2G23

SEPARATOR

HP1983

-UN-01JAN94

## BEATER AND TACHOMETER DRIVE (SERIAL NO. -600000)



HP1983

# 2G24

SEPARATOR

**BEATER AND TACHOMETER DRIVE - CONTINUED**  
(SERIAL NO. -600000)

| KEY | PART NO. | PART NAME                | QTY | SERIAL NO. | REMARKS   |
|-----|----------|--------------------------|-----|------------|---|
| 1A  | 03H1439  | BOLT                     | 2   | -400987    | 1/2" X 1-3/4"   |
|     | 12H301   | LOCK WASHER              | 2   | -400987    | 1/2"  |
|     | 14H1040  | NUT                      | 2   | -400987    | 1/2"  |
| 1B  | 03H1439  | BOLT                     | 2   |            | 1/2" X 1-3/4"   |
|     | 12H301   | LOCK WASHER              | 2   |            | 1/2"  |
|     | 14H1040  | NUT                      | 2   |            | 1/2"  |
| 2   | AH100271 | CYLINDER HEAD            | 2   |            |   |
| 3   | AH101474 | CYLINDER HEAD            | 1   | -400987    | (SUB AH108532)  |
| 4   | H109245  | STRAP                    | 1   | -400987    | (SUB AH108532)  |
| 5   | H101149  | DEFLECTOR                | 4   |            |   |
| 6   | H101150  | DRUM                     | 1   |            |   |
| 7   | 19H1732  | CAP SCREW                | 16  | -400987    | 3/8" X 1-1/4"   |
|     | 12H304   | LOCK WASHER              | 16  | -400987    | 3/8"  |
| 8A  | .....    | KEY                      | 1   | -400987    | 10 MM X 10 MM X 51 MM (3/8" X 3/8" X 2") (CUT FROM H64376 IN AH64587 KEY STOCK KIT) |
| 8B  | .....    | KEY                      | 1   |            | 10 MM X 10 MM X 50 MM (3/8" X 3/8" X 2") (CUT FROM H64376 IN AH64587 KEY STOCK KIT) |
| 9   | 26H42    | SHAFT KEY                | 1   |            | 3/8" X 2-1/8"   |
| 10A | H102598  | SHAFT                    | 1   | -400987    | (SUB H110005)   |
| 10B | H110005  | SHAFT                    | 1   |            |   |
| 11  | 24H1305  | WASHER                   | 4   |            | 13/32" X 13/16" X 0.065"  |
| 12  | 19H1732  | CAP SCREW                | 16  |            | 3/8" X 1-1/4"   |
|     | 12H304   | LOCK WASHER              | 16  |            | 3/8"  |
| 13  | AH108532 | BEATER                   | 1   | -600000    | (SUB AH114805)  |
| 14  | 03H1540  | BOLT                     | 9   |            | 5/16" X 3/4"  |
|     | 12H303   | LOCK WASHER              | 9   |            | 5/16"   |
|     | 14H785   | NUT                      | 9   |            | 5/16"   |
| 15  | H98955   | SEAL                     | 4   |            |   |
| 16  | 24H1136  | WASHER                   | 6   |            | 11/32" X 11/16" X 0.065"  |
| 17  | 03H1709  | BOLT                     | 3   |            | 5/16" X 1"  |
|     | 12H303   | LOCK WASHER              | 3   |            | 5/16"   |
|     | 14H785   | NUT                      | 3   |            | 5/16"   |
| 18  | 22H775   | SET SCREW                | 2   |            | 5/16" X 1/4"  |
| 19  | JD8544   | ECCENTRIC LOCKING COLLAR | 2   |            |   |
| 20  | H77931   | SCREW                    | 6   |            | SELF-TAPPING  |
| 21  | JD8545   | BALL BEARING             | 2   |            |   |
| 22  | E10018   | PRESSED FLANGED HOUSING  | 4   |            |   |
| 23  | AH87155  | SHEAVE                   | 1   |            | 229 MM (9") DIA. (100 PER CENT BEATER SPEED)  |
|     | AH100302 | SHEAVE                   | 1   |            | 178 MM (7") DIA. (150 PER CENT BEATER SPEED)  |
| 24  | H102749  | HUB                      | 1   |            |   |
| 25  | 19H1831  | CAP SCREW                | 1   |            | 1/2" X 2"   |
|     | 12H301   | LOCK WASHER              | 1   |            | 1/2"  |
|     | 14H1040  | NUT                      | 1   |            | 1/2"  |
| 26  | H83078   | O-RING                   | 1   |            |   |
| 27  | 19H1731  | CAP SCREW                | 1   |            | 3/8" X 1"   |
|     | 12H304   | LOCK WASHER              | 1   |            | 3/8"  |
|     | 24H1305  | WASHER                   | 1   |            | 13/32" X 13/16" X 0.065"  |
| 28  | H108544  | SHEAVE                   | 1   |            | 82 MM (3-1/4") DIA. (100 PER CENT BEATER SPEED)                                     |
|     | H102126  | SHEAVE                   | 1   |            | 62 MM (2-27/64") DIA. (150 PER CENT BEATER SPEED)                                   |
| 29  | 19H1936  | CAP SCREW                | 3   |            | 3/8" X 3/4"   |
|     | 12H304   | LOCK WASHER              | 3   |            | 3/8"  |
| 30  | H86039   | BELT                     | 1   |            | (100 PER CENT BEATER SPEED)   |
|     | H101352  | BELT                     | 1   |            | (150 PER CENT BEATER SPEED)   |

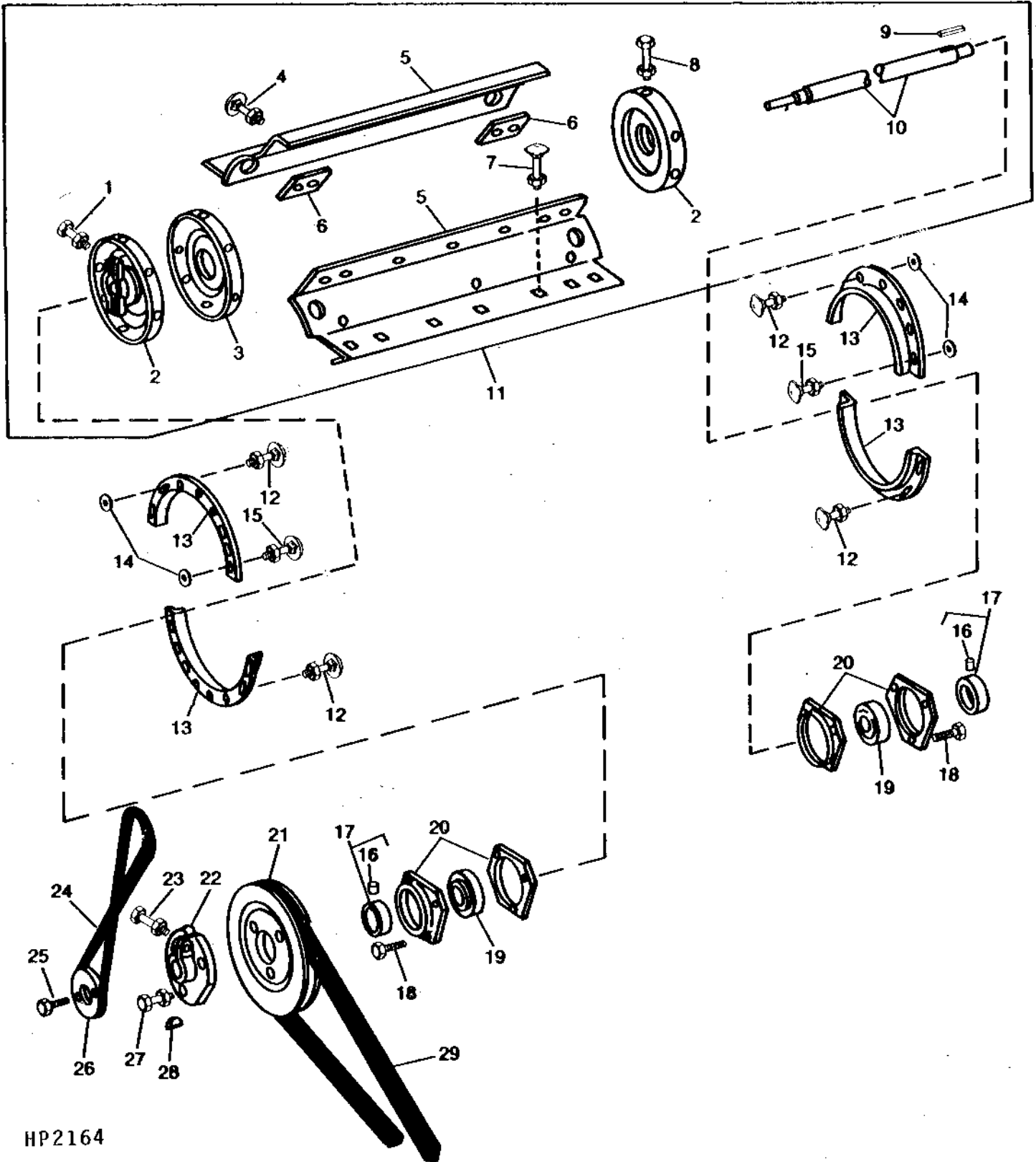
# 2H1

SEPARATOR

## BEATER AND TACHOMETER DRIVE (SERIAL NO. 600001- )

HP2164

-UN-01JAN94



HP2164

# 2H2

SEPARATOR

**BEATER AND TACHOMETER DRIVE - CONTINUED**  
(SERIAL NO. 600001- )

| KEY | PART NO. | PART NAME                | QTY | SERIAL NO.  | REMARKS |
|-----|----------|--------------------------|-----|---|---------|
| 1   | 03H1439  | BOLT                     | 2   | 1/2" X 1-3/4"   |         |
|     | 12H301   | LOCK WASHER              | 2   | 1/2"  |         |
|     | 14H1040  | NUT                      | 2   | 1/2"  |         |
| 2   | AH113355 | CYLINDER HEAD            | 2   |   |         |
| 3   | AH113362 | CYLINDER HEAD            | 1   |   |         |
| 4   | 03H1480  | BOLT                     | AR  | 3/8" X 1-1/4"   |         |
|     | 12H304   | LOCK WASHER              | AR  | 3/8"  |         |
|     | 14H812   | NUT                      | AR  | 3/8"  |         |
| 5   | H117549  | BEATER                   | 6   |   |         |
| 6   | H110734  | STRAP                    | AR  |   |         |
|     | H110736  | STRAP                    | AR  |   |         |
|     | 24H1781  | WASHER                   | AR  | 13/32" X 7/8" X 1/4", (USE WITH H110734)  |         |
|     | 24H1307  | WASHER                   | AR  | 13/32" X 1" X 1/16", (USE WITH H110736)   |         |
| 7   | 03H1519  | BOLT                     | 30  | 3/8" X 1"   |         |
|     | 12H304   | LOCK WASHER              | 30  | 3/8"  |         |
|     | 14H812   | NUT                      | 30  | 3/8"  |         |
| 8   | 19H1936  | CAP SCREW                | 18  | 3/8" X 3/4"   |         |
|     | 12H304   | LOCK WASHER              | 18  | 3/8"  |         |
| 9   | .....    | KEY                      | 1   | 10 MM X 10 MM X 50 MM (3/8" X 3/8" X 2") (CUT FROM H64376 IN AH64587 KEY STOCK KIT) |         |
| 10  | H110005  | SHAFT                    | 1   |   |         |
| 11  | AH114805 | BEATER                   | 1   |   |         |
| 12  | 03H1540  | BOLT                     | 9   | 5/16" X 3/4"  |         |
|     | 12H303   | LOCK WASHER              | 9   | 5/16"   |         |
|     | 14H785   | NUT                      | 9   | 5/16"   |         |
| 13  | H98955   | SEAL                     | 4   |   |         |
| 14  | 24H1136  | WASHER                   | 6   | 11/32" X 11/16" X 0.065"  |         |
| 15  | 03H1709  | BOLT                     | 3   | 5/16" X 1"  |         |
|     | 12H303   | LOCK WASHER              | 3   | 5/16"   |         |
|     | 14H785   | NUT                      | 3   | 5/16"   |         |
| 16  | 22H775   | SET SCREW                | 2   | 5/16" X 1/4"  |         |
| 17  | JD8544   | ECCENTRIC LOCKING COLLAR | 2   |   |         |
| 18  | H77931   | SCREW                    | 6   | SELF-TAPPING  |         |
| 19  | JD8545   | BALL BEARING             | 2   |   |         |
| 20  | E10018   | PRESSED FLANGED HOUSING  | 4   |   |         |
| 21  | AH87155  | SHEAVE                   | 1   | 229 MM (9") DIA. (100 PER CENT BEATER SPEED)  |         |
|     | AH100302 | SHEAVE                   | 1   | 178 MM (7") DIA. (150 PER CENT BEATER SPEED)  |         |
| 22  | H102749  | HUB                      | 1   |   |         |
| 23  | 19H1831  | CAP SCREW                | 1   | 1/2" X 2"   |         |
|     | 12H301   | LOCK WASHER              | 1   | 1/2"  |         |
|     | 14H1040  | NUT                      | 1   | 1/2"  |         |
| 24  | H83078   | O-RING                   | 1   |   |         |
| 25  | 19H1731  | CAP SCREW                | 1   | 3/8" X 1"   |         |
|     | 12H304   | LOCK WASHER              | 1   | 3/8"  |         |
|     | 24H1305  | WASHER                   | 1   | 13/32" X 13/16" X 0.065"  |         |
| 26  | H108544  | SHEAVE                   | 1   | 82 MM (3-1/4") DIA. (100 PER CENT BEATER SPEED)                                     |         |
|     | H102126  | SHEAVE                   | 1   | 62 MM (2-27/64") DIA. (150 PER CENT BEATER SPEED)                                   |         |
| 27  | 19H1936  | CAP SCREW                | 3   | 3/8" X 3/4"   |         |
|     | 12H304   | LOCK WASHER              | 3   | 3/8"  |         |
| 28  | 26H42    | SHAFT KEY                | 1   | 3/8" X 2-1/8"   |         |
| 29  | H86039   | BELT                     | 1   | (100 PER CENT BEATER SPEED)   |         |
|     | H101352  | BELT                     | 1   | (150 PER CENT BEATER SPEED)   |         |

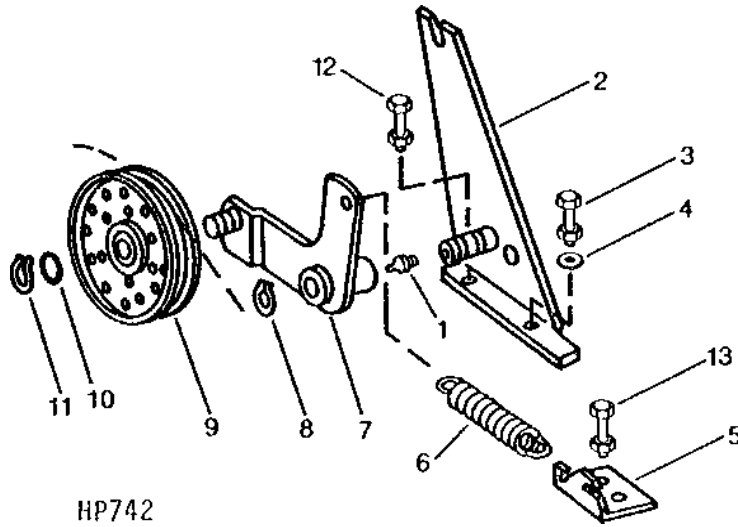
# 2H3

SEPARATOR

## BEATER DRIVE TIGHTENER

HP742

-UN-01JAN94



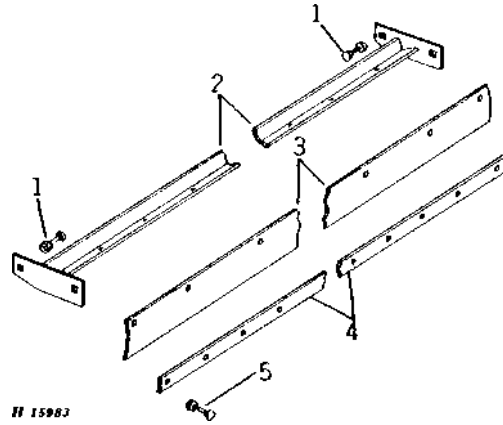
| KEY | PART NO. | PART NAME           | QTY | SERIAL NO. | REMARKS                     |
|-----|----------|---------------------|-----|------------|-----------------------------|
| 1   | JD7797   | LUBRICATION FITTING | 1   |            | STRAIGHT, 1/4"              |
| 2   | AH102554 | BRACKET             | 1   | -450000    | (SUB AH107883)              |
|     | AH107883 | BRACKET             | 1   |            | (150 PER CENT BEATER SPEED) |
|     | AH93195  | BRACKET             | 1   | -450000    | (SUB AH107884)              |
|     | AH107884 | BRACKET             | 1   |            | (100 PER CENT BEATER SPEED) |
| 3   | 19H1732  | CAP SCREW           | 1   | -500000    | 3/8" X 1-1/4"               |
|     | 12H304   | LOCK WASHER         | 1   | -500000    | 3/8"                        |
|     | 14H812   | NUT                 | 1   | -500000    | 3/8"                        |
|     | 19H1849  | CAP SCREW           | 1   | 500001-    | 5/16" X 1-1/4"              |
|     | 12H303   | LOCK WASHER         | 1   | 500001-    | 5/16"                       |
|     | 14H785   | NUT                 | 1   | 500001-    | 5/16"                       |
| 4   | 24H1136  | WASHER              | 2   |            | 11/32" X 11/16" X 0.065"    |
| 5   | H86040   | CLIP                | 1   |            |                             |
| 6   | E10086   | SPRING              | 1   |            |                             |
| 7   | AH93206  | ARM                 | 1   |            |                             |
| 8   | U17408   | RING                | 1   |            |                             |
| 9   | AH80757  | SHEAVE              | 1   |            | 140 MM (5-1/2") DIA.        |
| 10  | R28776   | O-RING              | 1   |            |                             |
| 11  | H82987   | SNAP RING           | 1   |            |                             |
| 12  | E60315   | SELF-LOCKING SCREW  | 1   | 450001-    |                             |
|     | 12H304   | LOCK WASHER         | 1   | 450001-    | 3/8"                        |
|     | 14H812   | NUT                 | 1   | 450001-    | 3/8"                        |
| 13  | 19H1731  | CAP SCREW           | 1   |            | 3/8" X 1"                   |
|     | 12H304   | LOCK WASHER         | 1   |            | 3/8"                        |
|     | 14H812   | NUT                 | 1   |            | 3/8"                        |

# 2H4

SEPARATOR

H15983 -UN-01JAN94

## CYLINDER SHEAR BAR

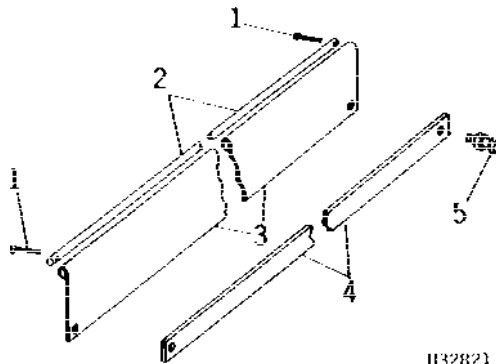


H 15983

| KEY | PART NO. | PART NAME | QTY | SERIAL NO. | REMARKS        |
|-----|----------|-----------|-----|------------|----------------|
| 1   | 03H1480  | BOLT      | 6   |            |                |
|     | 14H812   | NUT       | 6   |            | 3/8" X 1-1/4"  |
| 2   | AH76355  | BAR       | 1   |            | 3/8"           |
| 3   | H77703   | SEAL      | 1   |            |                |
| 4   | H77706   | RETAINER  | 1   |            |                |
| 5   | 03H1825  | BOLT      | 8   |            | 5/16" X 1-1/2" |

H32821 -UN-01JAN94

## SEPARATOR CURTAINS



H32821

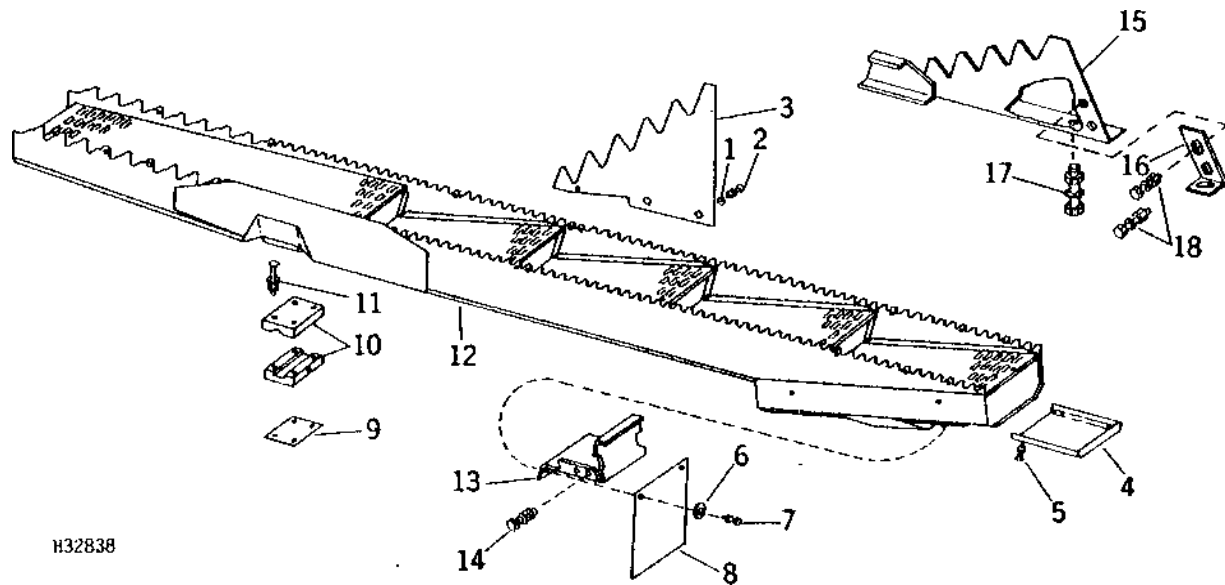
| KEY | PART NO. | PART NAME     | QTY | SERIAL NO. | REMARKS      |
|-----|----------|---------------|-----|------------|--------------|
| 1   | 11H211   | COTTER PIN    | 4   |            | 1/8" X 3/4"  |
| 2   | H76890   | PIN           | 2   |            |              |
| 3   | AH84216  | LIMIT CURTAIN | 1   |            | (REAR)       |
|     | AH84218  | LIMIT CURTAIN | 1   |            | (FRONT)      |
| 4   | H76010   | STRIP         | 1   |            |              |
| 5   | 21H1071  | SCREW         | 12  |            | 5/16" X 5/8" |
|     | 14H785   | NUT           | 12  |            | 5/16"        |

# 2H5

SEPARATOR

H32838 -UN-01JAN94

## STRAW WALKERS



H32838

| KEY | PART NO. | PART NAME          | QTY | SERIAL NO. | REMARKS   |
|-----|----------|--------------------|-----|------------|---|
| 1   | 24H1287  | WASHER             | 2   |            | 9/32" X 5/8" X 0.065"                           |
| 2   | 21H1016  | SCREW              | 2   |            | 1/4" X 1/2", (PER RISER)                        |
|     | 14H786   | NUT                | 2   |            | 1/4", (PER RISER)                               |
| 3   | H94669   | RISER              | 1   |            | (BETWEEN EACH WALKER)                           |
| 4   | H82460   | PAN                | 1   |            | (GRAIN)   |
| 5   | 03H1540  | BOLT               | 2   |            | 5/16" X 3/4"                                    |
|     | 14H785   | NUT                | 2   |            | 5/16"   |
| 6   | 24H1711  | WASHER             | 2   |            | 11/32" X 1-1/8" X 0.105", (STRAW CHOPPER)       |
| 7   | 19H1900  | CAP SCREW          | 2   |            | 5/16" X 3/4"                                    |
|     | 14H785   | NUT                | 2   |            | 5/16"   |
| 8   | H76636   | SEAL               | 1   |            | (STRAW CHOPPER)                                 |
| 9   | H93580   | PLATE              | 2   |            |   |
| 10  | AH93030  | BEARING            | 1   | -600000    | (MATCHED HALVES)                                |
|     | H119612  | BEARING            | 2   | 600001-    | (SINGLE HALF)                                   |
| 11  | 03H1506  | BOLT               | 8   |            | 5/16" X 3"                                      |
|     | M40699   | NUT                | 8   |            |   |
| 12  | AH99693  | STRAW WALKER       | 1   |            |   |
| 13  | H85190   | SHIELD             | 1   |            | (USED WITH STRAW CHOPPER)                       |
| 14  | 19H1227  | CAP SCREW          | 4   |            | 1/4" X 1/2", (USE WITH STRAW CHOPPER)           |
|     | 24H1287  | WASHER             | 4   |            | 9/32" X 5/8" X 0.060", (USE WITH STRAW CHOPPER) |
|     | 14H786   | NUT                | 4   | -400784    | 1/4", (USE WITH STRAW CHOPPER)                  |
|     | N10217   | LOCK NUT           | 4   |            | (USE WITH STRAW CHOPPER)                        |
| 15  | AH99755  | RISER              | 1   |            |   |
| 16  | H100869  | CLIP               | 1   |            |   |
| 17  | N10212   | SELF-LOCKING SCREW | 1   |            |   |
| 18  | 03H1774  | BOLT               | 2   |            | 5/16" X 5/8"                                    |
|     | 12H303   | LOCK WASHER        | 2   |            | 5/16"   |
|     | 14H785   | NUT                | 2   |            | 5/16"   |

NOTE: QUANTITIES USED ARE FOR ONE UNIT. FOUR UNITS USED PER MACHINE.

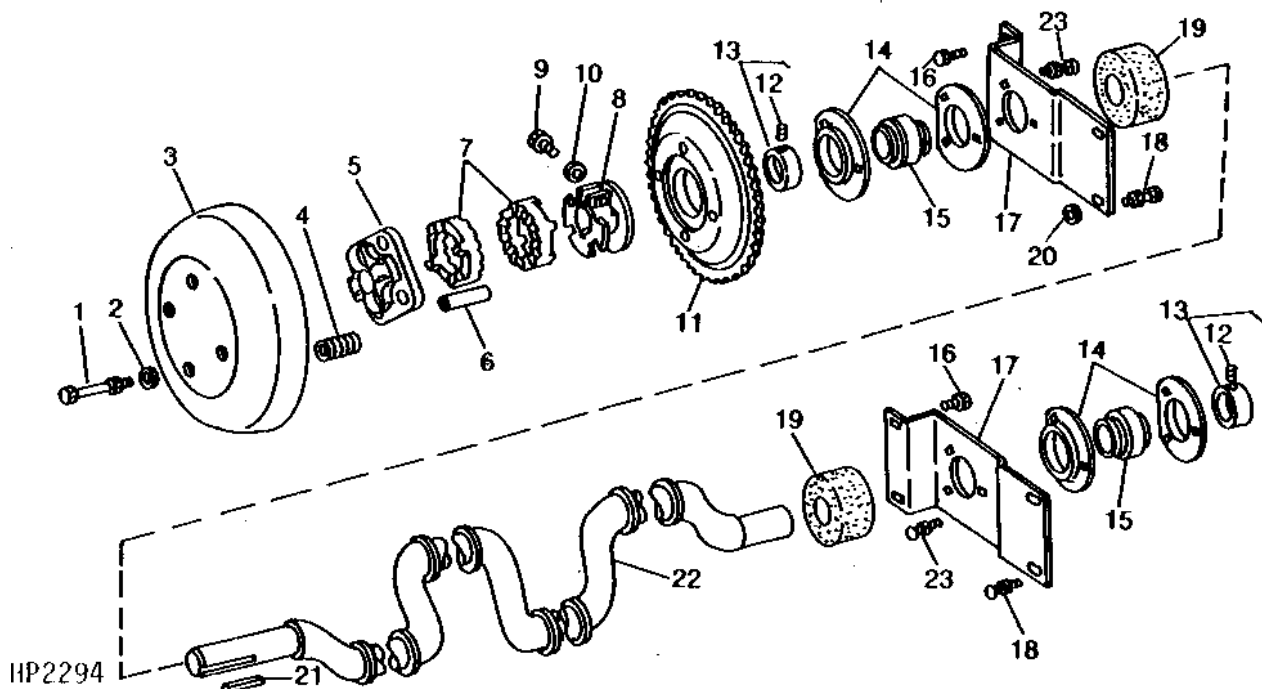


# 2H6

SEPARATOR

HP2294 -UN-01JAN94

## STRAW WALKER FRONT CRANKSHAFT



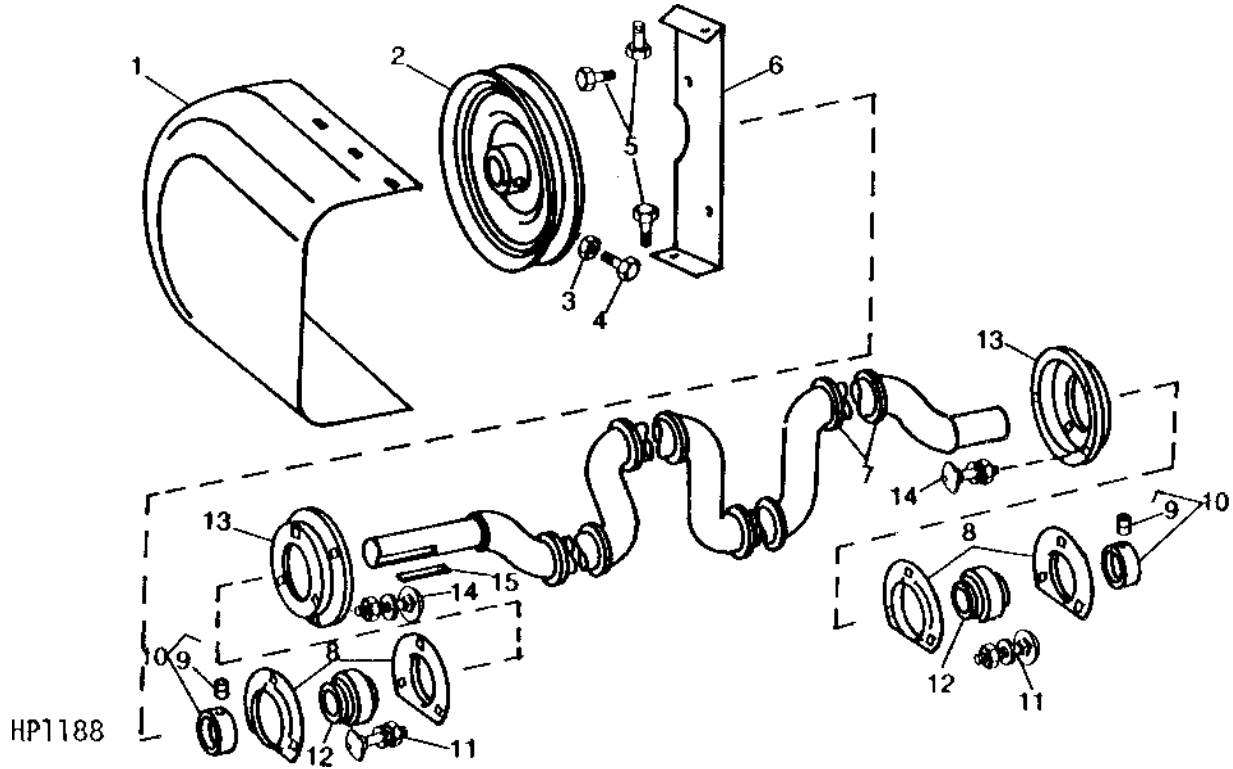
| KEY | PART NO. | PART NAME                | QTY | SERIAL NO. | REMARKS   |
|-----|----------|--------------------------|-----|------------|---|
| 1   | 19H2205  | CAP SCREW                | 4   |            | 3/8" X 6"   |
|     | H99923   | LOCK NUT                 | 4   |            |   |
| 2   | 24H1305  | WASHER                   | 4   |            | 13/32" X 13/16" X 0.065"  |
| 3   | H76436   | SHIELD                   | 1   |            |   |
| 4   | B10608   | SPRING                   | 4   |            |   |
| 5   | N100101  | RETAINER                 | 1   | -600000    |   |
|     | H89525   | RETAINER                 | 1   | 600001-    |   |
| 6   | H76435   | SPACER                   | 4   |            |   |
| 7   | Z699H    | SLIP CLUTCH              | 2   |            |   |
| 8   | H76432   | HUB                      | 1   |            |   |
| 9   | 19H1765  | CAP SCREW                | 1   |            | 3/8" X 1-3/4"   |
| 10  | 14H812   | NUT                      | 1   |            | 3/8"  |
| 11  | H76434   | CHAIN SPROCKET           | 1   |            | 49 TEETH  |
| 12  | 22H897   | SET SCREW                | 2   |            | 1/4" X 1/4"   |
| 13  | JD8554   | ECCENTRIC LOCKING COLLAR | 2   |            |   |
| 14  | H87472   | PRESSED FLANGED HOUSING  | 4   | -600400    |   |
|     | H103264  | PRESSED FLANGED HOUSING  | 4   | 600401-    |   |
| 15  | JD8665   | BALL BEARING             | 2   |            |   |
| 16  | H65108   | SCREW                    | 4   |            | SELF-TAPPING  |
| 17  | H76440   | BRACKET                  | 2   |            |   |
| 18  | 03H1540  | BOLT                     | 4   |            | 5/16" X 3/4"  |
|     | 14H785   | NUT                      | 4   |            | 5/16"   |
| 19  | H76431   | ISOLATOR                 | 2   |            |   |
| 20  | 24H1136  | WASHER                   | 2   |            | 11/32" X 11/16" X 0.065"  |
| 21  | .....    | KEY                      | 1   |            | 6 MM X 6 MM X 51 MM (11/32" X 11/16" X 0.060") (CUT FROM H64374 IN AH64587 KEY STOCK KIT) |
| 22  | AH92414  | SHAFT                    | 1   |            | (USE WITH (4) AH93030 OR (8) H119612)   |
| 23  | 03H1774  | BOLT                     | 6   |            | 5/16" X 5/8"  |
|     | 14H785   | NUT                      | 6   |            | 5/16"   |

# 2H7

SEPARATOR

HP1188 -UN-01JAN94

## STRAW WALKER REAR CRANKSHAFT



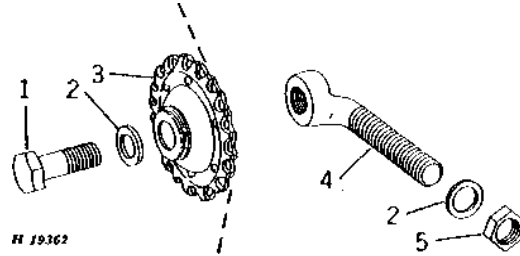
| KEY | PART NO. | PART NAME                | QTY | SERIAL NO. | REMARKS  |
|-----|----------|--------------------------|-----|------------|--|
| 1   | H98221   | SHIELD                   | 1   |            |  |
| 2   | AH75982  | SHEAVE                   | 1   |            | 238 MM (9-3/8") DIA. (STRAW SPREADER DRIVE)  |
| 3   | 14H732   | NUT                      | 2   |            | 3/8"   |
| 4   | 22H817   | SET SCREW                | 2   |            | 3/8" X 3/4"  |
| 5   | H65108   | SCREW                    | 5   |            | SELF-TAPPING   |
| 6   | H83469   | BRACKET                  | 1   |            |  |
| 7   | AH92414  | SHAFT                    | 1   |            | (USE WITH (4) AH93030)   |
| 8   | H87472   | PRESSED FLANGED HOUSING  | 4   | -600400    |  |
|     | H103264  | PRESSED FLANGED HOUSING  | 4   | 600401-    |  |
| 9   | 22H897   | SET SCREW                | 2   |            | 1/4" X 1/4"  |
| 10  | JD8554   | ECCENTRIC LOCKING COLLAR | 2   |            |  |
| 11  | 03H1540  | BOLT                     | 6   |            | 5/16" X 3/4"   |
|     | 14H785   | NUT                      | 6   |            | 5/16"  |
| 12  | JD8665   | BALL BEARING             | 2   |            |  |
| 13  | H76437   | SUPPORT                  | 2   |            |  |
| 14  | 03H1774  | BOLT                     | 6   |            | 5/16" X 5/8"   |
|     | 12H303   | LOCK WASHER              | 6   |            | 5/16"  |
|     | 14H785   | NUT                      | 6   |            | 5/16"  |
| 15  | .....    | KEY                      | 1   |            | 6 MM X 6 MM X 29 MM (1/4" X 1/4" X 1-1/8")<br>(CUT FROM H64374 IN AH64587 KEY STOCK KIT) |

# 2H8

SEPARATOR

H19362 -UN-01JAN94

## STRAW WALKER AND SHOE DRIVE TIGHTENER



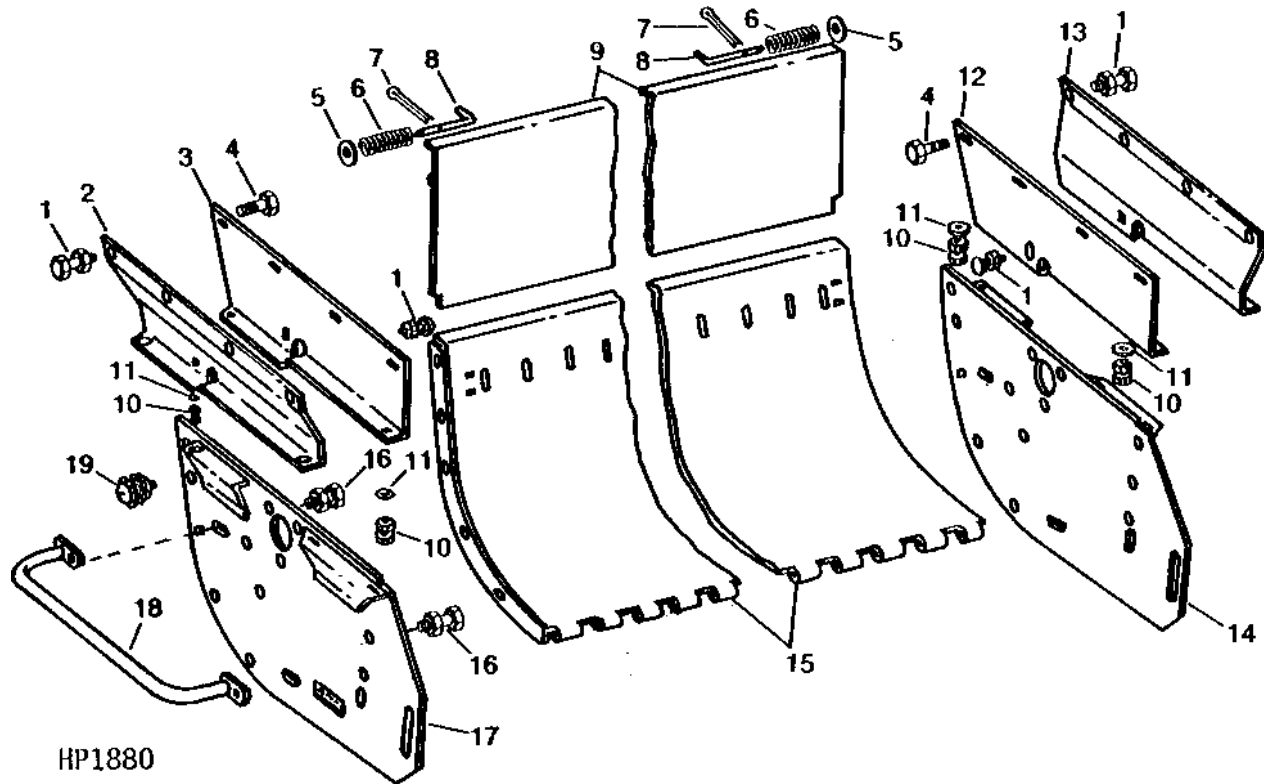
| KEY | PART NO. | PART NAME      | QTY | SERIAL NO.                | REMARKS |
|-----|----------|----------------|-----|---------------------------|---------|
| 1   | 19H1805  | CAP SCREW      | 1   | 1/2" X 2-1/4"             |         |
|     | 12H301   | LOCK WASHER    | 1   | 1/2"                      |         |
| 2   | 24H1111  | WASHER         | 2   | 17/32" X 1-1/16" X 0.090" |         |
| 3   | AH21440  | CHAIN SPROCKET | 1   | 17 TEETH                  |         |
| 4   | H76607   | EYEBOLT        | 1   |                           |         |
| 5   | 14H1040  | NUT            | 2   | 1/2"                      |         |

# 2H9

SEPARATOR

STRAW CHOPPER HOUSING  
(SERIAL NO. -550435)

HP1880 -UN-01JAN94



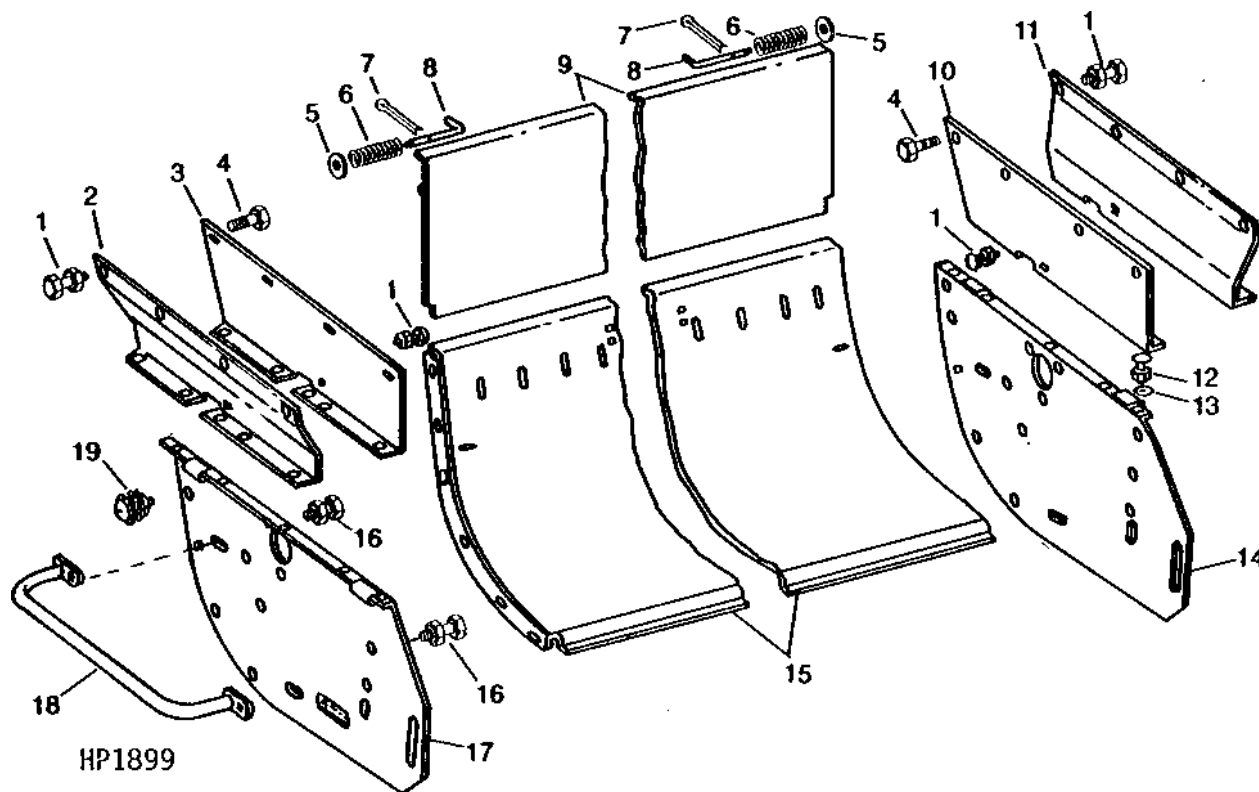
| KEY | PART NO. | PART NAME          | QTY | SERIAL NO.               | REMARKS   |
|-----|----------|--------------------|-----|--------------------------|---|
| 1   | N10212   | SELF-LOCKING SCREW | 8   |                          |   |
|     | 03H1774  | BOLT               | 2   | 5/16" X 5/8"             |   |
|     | 14H785   | NUT                | AR  | 5/16"                    |   |
| 2   | AH92252  | HANGER             | 1   |                          |   |
| 3   | H85175   | HANGER             | 1   |                          |   |
| 4   | N71292   | SELF-LOCKING SCREW | 10  |                          |   |
| 5   | 24H1338  | WASHER             | 2   | 33/64" X 7/8" X 0.048"   |   |
| 6   | T12274   | SPRING             | 2   |                          |   |
| 7   | 34H249   | SPRING PIN         | 2   | 1/8" X 7/8"              |   |
| 8   | H85156   | PIN                | 2   |                          |   |
| 9   | AH85663  | EXTENSION          | 1   |                          |   |
| 10  | 19H1731  | CAP SCREW          | 4   | 3/8" X 1"                |   |
|     | 14H812   | NUT                | 4   | 3/8"                     |   |
| 11  | 24H1305  | WASHER             | 4   | 13/32" X 13/16" X 0.065" |   |
| 12  | H85174   | HANGER             | 1   |                          |   |
| 13  | AH92251  | SUPPORT            | 1   |                          |   |
| 14  | AH99306  | SHEET              | 1   | -550000                  | (SUB AH112162, AH111646 AND H113983 OR BH77683) (DO NOT USE WITH H76258 AND H85004) |
|     | AH112162 | SHEET              | 1   |                          |   |
| 15  | H88802   | SHEET              | 1   | -550000                  | (SUB H113075)   |
|     | H113075  | SHEET              | 1   |                          |   |
| 16  | 03H1463  | BOLT               | 4   | 3/8" X 3/4"              |   |
|     | 14H812   | NUT                | 4   | -450000                  | 3/8", (SUB N10215, THIS APPLICATION)  |
|     | N10215   | LOCK NUT           | 4   |                          |   |
| 17  | AH99307  | SHEET              | 1   | -550000                  | (SUB AH112163, AH111647 AND H113984 OR BH77683)                                     |
|     | AH112163 | SHEET              | 1   |                          |   |
| 18  | AH94598  | HANDLE             | 2   |                          |   |
| 19  | N10212   | SELF-LOCKING SCREW | 8   |                          |   |
|     | N10213   | LOCK NUT           | 8   |                          |   |

# 2H10

SEPARATOR

## STRAW CHOPPER HOUSING (SERIAL NO. 550436- )

HP1899 -UN-01JAN94



| KEY | PART NO. | PART NAME          | QTY | SERIAL NO.                          | REMARKS |
|-----|----------|--------------------|-----|-------------------------------------|---------|
| 1   | N10212   | SELF-LOCKING SCREW | 8   |                                     |         |
|     | 03H1774  | BOLT               | 2   | 5/16" X 5/8"                        |         |
|     | 14H785   | NUT                | AR  | 5/16"                               |         |
| 2   | AH111647 | HANGER             | 1   |                                     |         |
| 3   | H113984  | HANGER             | 1   |                                     |         |
| 4   | N71292   | SELF-LOCKING SCREW | 10  |                                     |         |
| 5   | 24H1338  | WASHER             | 2   | 33/64" X 7/8" X 0.048"              |         |
| 6   | T12274   | SPRING             | 2   |                                     |         |
| 7   | 34H249   | SPRING PIN         | 2   | 1/8" X 7/8"                         |         |
| 8   | H85156   | PIN                | 2   |                                     |         |
| 9   | AH85663  | EXTENSION          | 1   |                                     |         |
| 10  | H113983  | HANGER             | 1   |                                     |         |
| 11  | AH111646 | HANGER             | 1   |                                     |         |
| 12  | 03H1557  | BOLT               | 10  | 3/8" X 1-1/4"                       |         |
|     | 14H812   | NUT                | 10  | 3/8"                                |         |
| 13  | 24H1308  | WASHER             | 4   | 13/32" X 1" X 0.134"                |         |
| 14  | AH112162 | SHEET              | 1   | (DO NOT USE WITH H76258 AND H85004) |         |
|     | H113075  | SHEET              | 1   |                                     |         |
| 16  | 03H1463  | BOLT               | 4   | 3/8" X 3/4"                         |         |
|     | N10215   | LOCK NUT           | 4   |                                     |         |
| 17  | AH112163 | SHEET              | 1   |                                     |         |
| 18  | AH94598  | HANDLE             | 2   |                                     |         |
| 19  | N10212   | SELF-LOCKING SCREW | 10  |                                     |         |
|     | N10213   | LOCK NUT           | 10  |                                     |         |

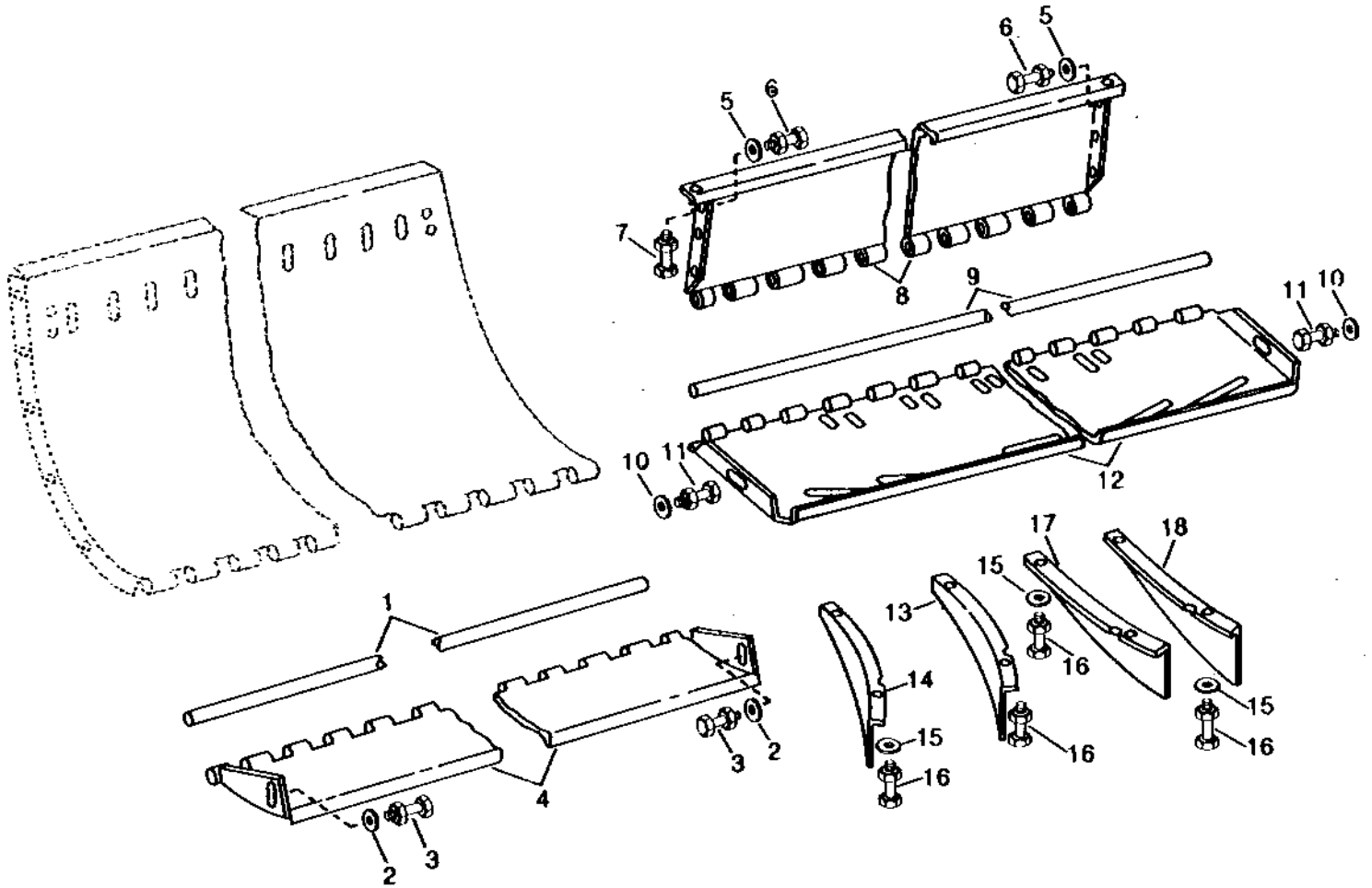
# 2H11

SEPARATOR

HP2126

-UN-01JAN94

STRAW CHOPPER PLATES AND FINIS  
(SERIAL NO. -550000)



HP2126

# 2H12

SEPARATOR

STRAW CHOPPER PLATES AND FINS - CONTINUED  
(SERIAL NO. -550000)

| KEY | PART NO. | PART NAME | QTY | SERIAL NO. | REMARKS                               |
|-----|----------|-----------|-----|------------|---------------------------------------|
| 1   | H76258   | PIN       | 1   |            |                                       |
| 2   | 24H1136  | WASHER    | 2   |            | 11/32" X 11/16" X 0.065"              |
| 3   | 03H1268  | BOLT      | 2   |            | 5/16" X 3/4"                          |
|     | 14H785   | NUT       | 2   |            | 5/16"                                 |
| 4   | H85004   | PLATE     | 1   |            |                                       |
| 5   | 24H1136  | WASHER    | 4   |            | 11/32" X 11/16" X 0.065"              |
| 6   | 19H1900  | CAP SCREW | 4   |            | 5/16" X 3/4"                          |
|     | 14H785   | NUT       | 4   |            | 5/16"                                 |
| 7   | 19H2284  | CAP SCREW | 2   |            | 3/8" X 7/8"                           |
|     | 14H812   | NUT       | 2   |            | 3/8"                                  |
| 8   | H88820   | SHEET     | 1   |            |                                       |
| 9   | H76258   | PIN       | 1   |            |                                       |
| 10  | 24H1219  | WASHER    | 2   |            | 7/16" X 1" X 0.083"                   |
| 11  | 03H1463  | BOLT      | 2   |            | 3/8" X 3/4"                           |
|     | 14H812   | NUT       | 2   |            | 3/8"                                  |
| 12  | H88797   | PLATE     | 1   |            |                                       |
| 13  | H84984   | DEFLECTOR | 1   |            |                                       |
| 14  | H85014   | DEFLECTOR | 2   |            |                                       |
| 15  | 24H1136  | WASHER    | 12  | -450000    | 11/32" X 11/16" X 0.065"              |
| 16  | 21H1029  | SCREW     | 12  |            | 5/16" X 3/4"                          |
|     | 14H785   | NUT       | 12  | -450000    | 5/16", (SUB N10213, THIS APPLICATION) |
|     | N10213   | LOCK NUT  | 12  |            |                                       |
| 17  | H84983   | DEFLECTOR | 1   |            |                                       |
| 18  | H85013   | DEFLECTOR | 2   |            |                                       |

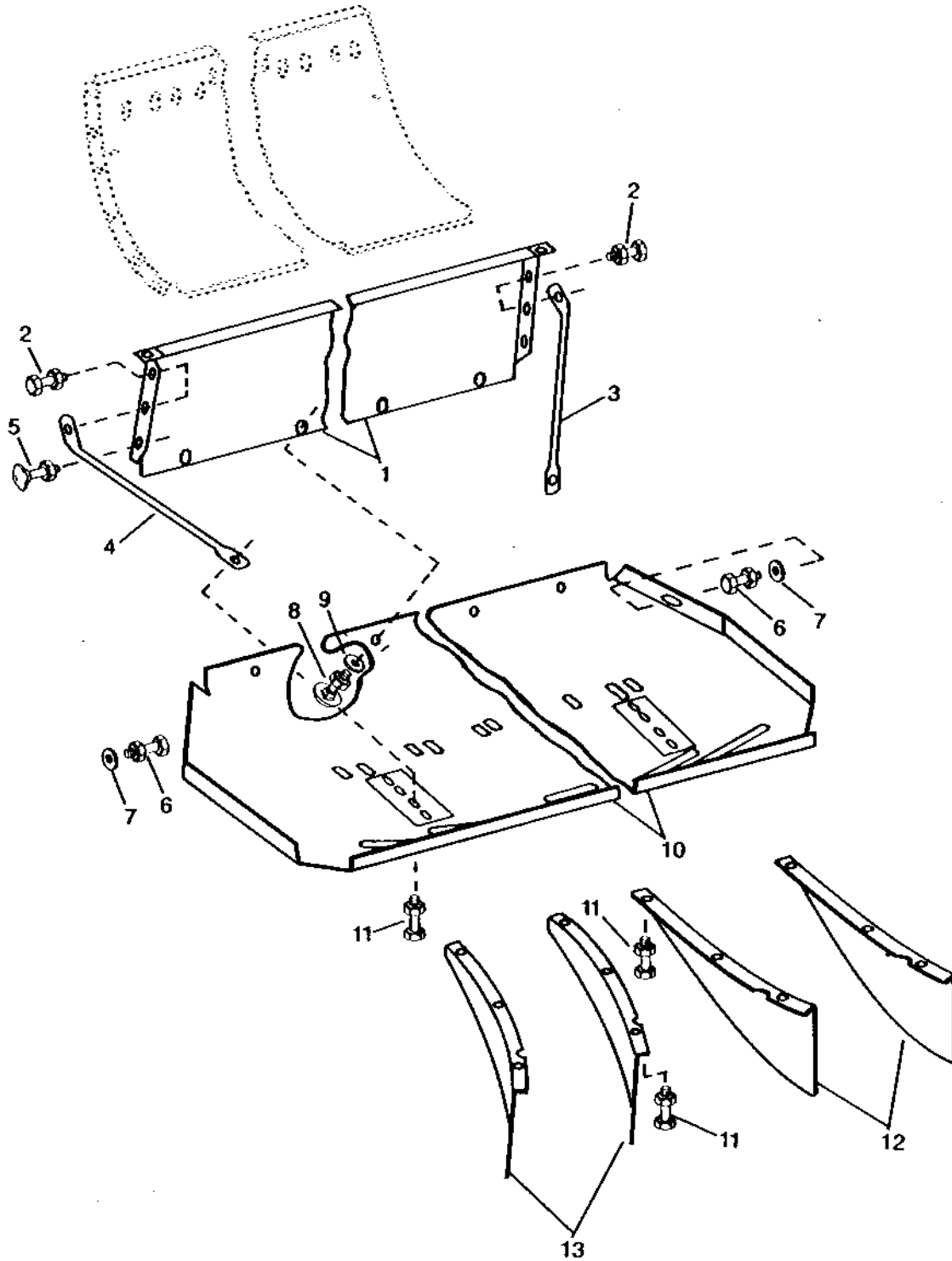
# 2H13

SEPARATOR

HP1882

-UN-01JAN94

STRAW CHOPPER PLATES AND FINIS  
(SERIAL NO. 550001- )



HP1882



# 2H14

SEPARATOR

## STRAW CHOPPER PLATES AND FINS - CONTINUED (SERIAL NO. 550001- )

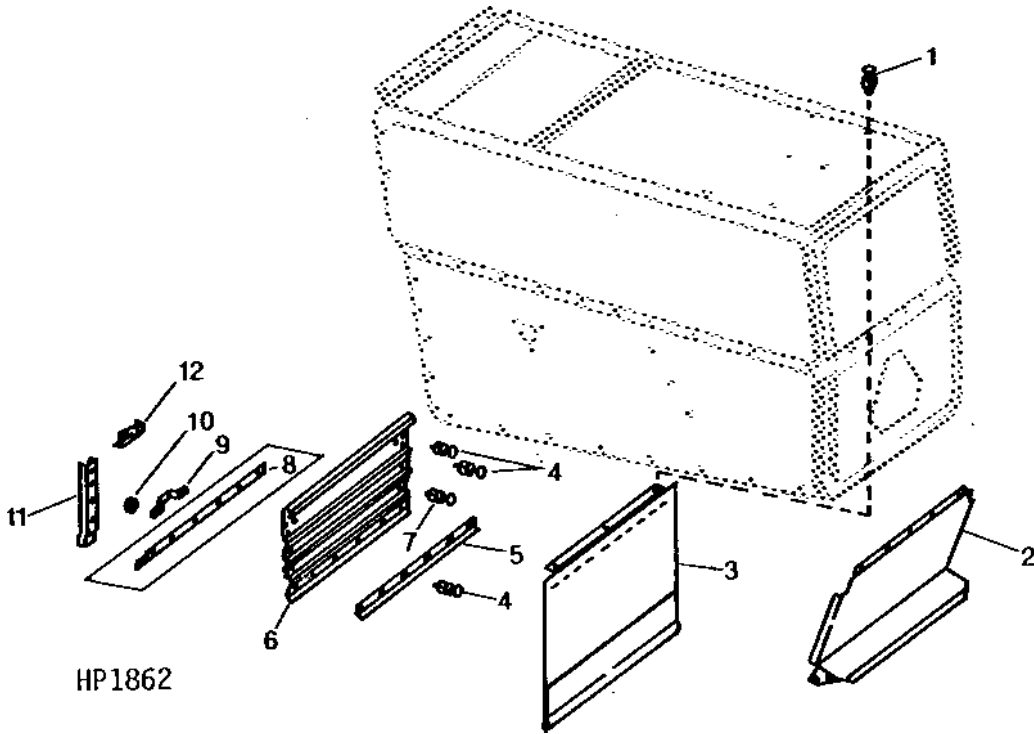
| KEY | PART NO. | PART NAME   | QTY | SERIAL NO. | REMARKS                  |
|-----|----------|-------------|-----|------------|--------------------------|
| 1   | AH112393 | SHEET       | 1   | -600400    | (SUB H113330)            |
|     | H113330  | SHEET       | 1   |            |                          |
| 2   | 19H1731  | CAP SCREW   | 4   |            | 3/8" X 1"                |
|     | N10215   | LOCK NUT    | 4   |            |                          |
| 3   | H114465  | PIPE        | 1   |            | R.H.                     |
| 4   | H114466  | PIPE        | 1   |            | L.H.                     |
| 5   | 03H1500  | BOLT        | 2   |            | 3/8" X 1"                |
|     | N10215   | LOCK NUT    | 2   |            |                          |
| 6   | 03H1463  | BOLT        | 2   |            | 3/8" X 3/4"              |
|     | 12H304   | LOCK WASHER | 2   |            | 3/8"                     |
|     | 14H812   | NUT         | 2   |            | 3/8"                     |
| 7   | 24H1219  | WASHER      | 2   |            | 7/16" X 1" X 0.083"      |
| 8   | 03H1524  | BOLT        | 4   |            | 5/16" X 1"               |
|     | M40699   | NUT         | 4   |            |                          |
| 9   | 24H1136  | WASHER      | 4   |            | 11/32" X 11/16" X 0.065" |
| 10  | AH112218 | DEFLECTOR   | 1   |            |                          |
| 11  | 03H1540  | BOLT        | 14  |            | 5/16" X 3/4"             |
|     | N10213   | LOCK NUT    | 14  |            |                          |
| 12  | H114535  | VANE        | 2   |            | R.H.                     |
| 13  | H114536  | VANE        | 2   |            | L.H.                     |

# 2H15

SEPARATOR

HP1862 -UN-01JAN94

## STRAW CHOPPER CURTAIN AND SHIELDS (CORN)



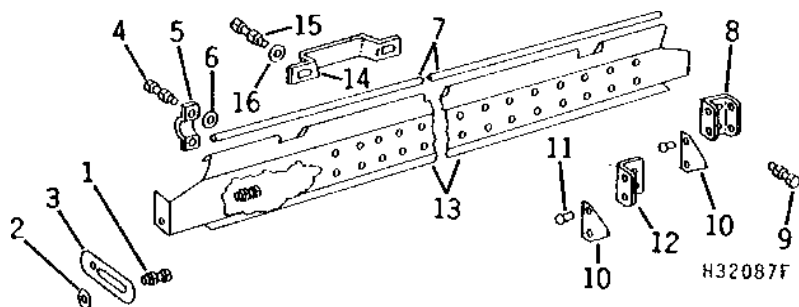
| KEY | PART NO. | PART NAME     | QTY | SERIAL NO.               | REMARKS        |
|-----|----------|---------------|-----|--------------------------|----------------|
| 1   | H76139   | SCREW         | 3   |                          |                |
|     | 12H303   | LOCK WASHER   | 3   | 5/16"                    |                |
|     | 14H785   | NUT           | 3   | 5/16"                    |                |
| 2   | H85181   | ISOLATOR      | 1   |                          |                |
| 3   | AH85660  | SUPPORT       | 1   | -550000                  | (SUB AH111430) |
|     | AH111430 | SUPPORT       | 1   |                          |                |
| 4   | 03H1500  | BOLT          | 9   | 3/8" X 1"                |                |
|     | 14H812   | NUT           | 9   | 3/8"                     |                |
| 5   | H85186   | REINFORCEMENT | 1   |                          |                |
| 6   | H85164   | EXTENSION     | 1   | -550000                  | (CORN)         |
|     | H113823  | EXTENSION     | 1   | 550001-                  | (CORN)         |
| 7   | 03H1765  | BOLT          | 8   | 3/8" X 3/4"              |                |
|     | 14H812   | NUT           | 8   | 3/8"                     |                |
| 8   | H85167   | REINFORCEMENT | 1   | -550000                  |                |
| 9   | H85184   | HANDLE        | 1   |                          |                |
| 10  | 24H1305  | WASHER        | 4   | 13/32" X 13/16" X 0.065" |                |
| 11  | H85169   | BRACKET       | 2   | -550000                  |                |
|     | H113825  | BRACKET       | 2   | 550001-                  |                |
| 12  | AH86590  | BRACKET       | 1   | (R.H.)                   |                |
|     | AH86591  | BRACKET       | 1   | (L.H.)                   |                |

# 2H16

SEPARATOR

H32087F -UN-01JAN94

## STRAW CHOPPER KNIFE AND SUPPORT



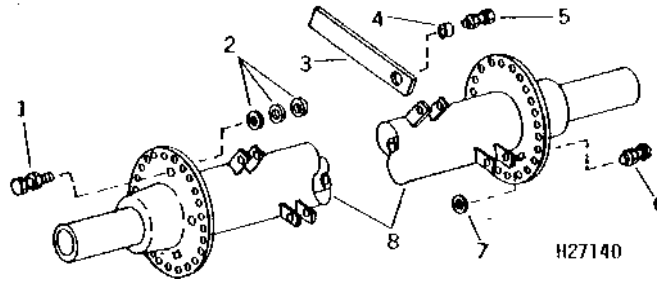
| KEY | PART NO. | PART NAME          | QTY | SERIAL NO.   | REMARKS |
|-----|----------|--------------------|-----|--|---------|
| 1   | 03H1500  | BOLT               | 4   | 3/8" X 1"  |         |
|     | 12H304   | LOCK WASHER        | 4   | 3/8"   |         |
|     | 14H812   | NUT                | 4   | 3/8"   |         |
| 2   | 24H1305  | WASHER             | 2   | 13/32" X 13/16" X 0.065"                             |         |
| 3   | H84992   | STRAP              | 2   |  |         |
| 4   | 03H1540  | BOLT               | 6   | 5/16" X 3/4"   |         |
|     | 12H303   | LOCK WASHER        | 6   | -450000 5/16"  |         |
|     | 14H785   | NUT                | 6   | -450000 5/16", (SUB N10213, THIS APPLICATION)        |         |
|     | N10213   | LOCK NUT           | 6   |  |         |
| 5   | H84990   | CLAMP              | 3   |  |         |
| 6   | 24H1136  | WASHER             | 6   | -450000 11/32" X 11/16" X 0.065"                     |         |
| 7   | H84994   | PIN                | 1   |  |         |
| 8   | H88801   | BRACKET            | 11  |  |         |
| 9   | 19H1813  | CAP SCREW          | 24  | 5/16" X 5/8"   |         |
|     | 19H1813  | CAP SCREW          | 22  | -450000 5/16" X 5/8", (SUB N10212, THIS APPLICATION) |         |
|     | N10212   | SELF-LOCKING SCREW | 22  |  |         |
|     | 12H303   | LOCK WASHER        | 22  | -450000 5/16"  |         |
|     | 14H785   | NUT                | 22  | -450000 5/16", (SUB N10213, THIS APPLICATION)        |         |
|     | N10213   | LOCK NUT           | 22  |  |         |
| 10  | Z6451H   | SECTION            | 23  |  |         |
| 11  | AH84096  | RIVET              | 46  | -600000 (SUB AH116874, THIS APPLICATION)             |         |
|     | AH116874 | RIVET              | 1   | (CARTON OF 100 Z8946H)                               |         |
| 12  | P48067   | BRACKET            | 1   |  |         |
| 13  | H88816   | SUPPORT            | 1   |  |         |
| 14  | H85184   | HANDLE             | 1   |  |         |
| 15  | 19H1900  | CAP SCREW          | 2   | 5/16" X 3/4"   |         |
|     | 14H785   | NUT                | 2   | -450000 5/16", (SUB N10213, THIS APPLICATION)        |         |
|     | N10213   | LOCK NUT           | 2   |  |         |
| 16  | 24H1136  | WASHER             | 2   | -450000 11/32" X 11/16" X 0.065"                     |         |

# 2H17

SEPARATOR

H27140 -UN-01JAN94

## STRAW CHOPPER ROTOR AND BLADES



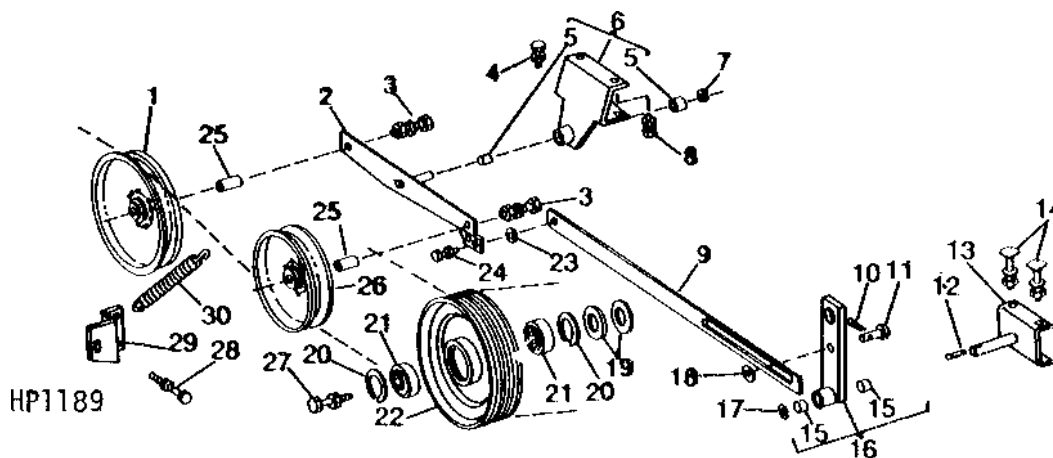
| KEY | PART NO. | PART NAME   | QTY | SERIAL NO.               | REMARKS |
|-----|----------|-------------|-----|--------------------------|---------|
| 1   | 19H2076  | CAP SCREW   | 2   | 5/8" X 5"                |         |
|     | 12H304   | LOCK WASHER | 2   | 3/8"                     |         |
|     | 14H812   | NUT         | 2   | 3/8"                     |         |
| 2   | 24H1623  | WASHER      | 6   | 7/16" X 3" X 0.220"      |         |
| 3   | P48066   | BLADE       | 24  |                          |         |
| 4   | H88783   | WASHER      | 24  |                          |         |
| 5   | 03H2304  | BOLT        | 22  | 3/8" X 1"                |         |
|     | 03H2305  | BOLT        | 2   | 3/8" X 1-1/4"            |         |
|     | H32147   | LOCK NUT    | 24  |                          |         |
| 6   | 19H1849  | CAP SCREW   | AR  | 5/16" X 1-1/4"           |         |
|     | 19H1905  | CAP SCREW   | AR  | 5/16" X 1"               |         |
|     | 19H1906  | CAP SCREW   | AR  | 5/16" X 1-1/2"           |         |
|     | .....    | NUT         | AR  | 5/16"                    |         |
| 7   | 24H1136  | WASHER      | AR  | 11/32" X 11/16" X 0.065" |         |
|     | 24H1296  | WASHER      | AR  | 11/32" X 1-3/8" X 0.134" |         |
|     | 24H1299  | WASHER      | AR  | 3/8" X 1-1/4" X 0.065"   |         |
|     | 24H1300  | WASHER      | AR  | 25/64" X 2" X 0.220"     |         |
| 8   | AH95367  | ROTOR       | 1   |                          |         |

# 2H18

SEPARATOR

HP1189 -UN-01JAN94

## STRAW CHOPPER DRIVE IDLER AND TIGHTENER



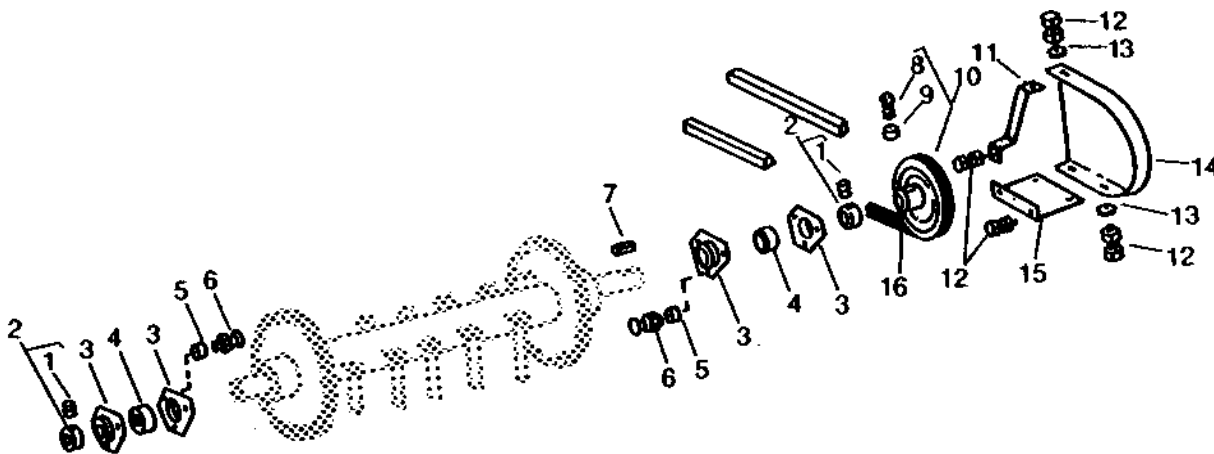
| KEY | PART NO. | PART NAME    | QTY | SERIAL NO. | REMARKS                  |
|-----|----------|--------------|-----|------------|--------------------------|
| 1   | AH85276  | PULLEY       | 1   |            | 229 MM (9") DIA.         |
| 2   | AH101206 | ARM          | 1   |            |                          |
| 3   | 19H2727  | CAP SCREW    | 2   |            | 5/8" X 2-5/8"            |
|     | 12H294   | LOCK WASHER  | 2   |            | 5/8"                     |
|     | 14H821   | NUT          | 2   |            | 5/8"                     |
| 4   | 19H1905  | CAP SCREW    | 1   |            | 5/16" X 1"               |
|     | 12H303   | LOCK WASHER  | 1   |            | 5/16"                    |
|     | 14H785   | NUT          | 1   |            | 5/16"                    |
| 5   | H94114   | BUSHING      | 2   |            |                          |
| 6   | AH101208 | SUPPORT      | 1   |            |                          |
| 7   | A369R    | SNAP RING    | 1   |            |                          |
| 8   | 19H1900  | CAP SCREW    | 3   |            | 5/16" X 3/4"             |
|     | 12H303   | LOCK WASHER  | 3   |            | 5/16"                    |
|     | 14H785   | NUT          | 3   |            | 5/16"                    |
| 9   | H83756   | STRAP        | 1   |            |                          |
| 10  | 11H211   | COTTER PIN   | 1   |            | 1/8" X 3/4"              |
| 11  | RV702A   | PIN          | 1   |            |                          |
| 12  | 11H215   | COTTER PIN   | 1   |            | 1/4" X 1-1/2"            |
| 13  | AH101205 | PIVOT        | 1   |            |                          |
| 14  | 03H1631  | BOLT         | 2   |            | 3/8" X 3-1/2"            |
|     | 12H304   | LOCK WASHER  | 2   |            | 3/8"                     |
|     | 14H812   | NUT          | 2   |            | 3/8"                     |
| 15  | H98655   | BUSHING      | 2   |            |                          |
| 16  | AH101209 | ARM          | 1   |            |                          |
| 17  | 24H1413  | WASHER       | 1   |            | 57/64" X 1-3/8" X 0.048" |
| 18  | 24H1305  | WASHER       | 1   |            | 13/32" X 13/16" X 0.065" |
| 19  | 24H1429  | WASHER       | 2   |            | 29/32" X 1-3/4" X 0.194" |
| 20  | J13683   | SNAP RING    | 2   |            |                          |
| 21  | JD8662   | BALL BEARING | 2   |            |                          |
| 22  | AH90633  | SHEAVE       | 1   |            | 238 MM (9-3/8") DIA.     |
| 23  | 24H1682  | WASHER       | 1   |            | 13/32" X 7/8" X 0.120"   |
| 24  | 19H1731  | CAP SCREW    | 1   |            | 3/8" X 1"                |
|     | BP12233  | LOCK NUT     | 1   |            |                          |
| 25  | 28H1016  | SPACER       | 2   |            | 3/4" X 1"                |
| 26  | AN15237  | IDLER        | 1   |            | 202 MM (7-15/16") DIA.   |
| 27  | H89244   | BOLT         | 1   |            |                          |
|     | U14554   | LOCK NUT     | 1   |            |                          |
| 28  | 19H1901  | CAP SCREW    | 1   |            | 5/16" X 2"               |
|     | 12H303   | LOCK WASHER  | 1   |            | 5/16"                    |
|     | 14H785   | NUT          | 1   |            | 5/16"                    |
| 29  | H82798   | SUPPORT      | 1   |            |                          |
| 30  | H86646   | SPRING       | 1   |            |                          |

# 2H19

SEPARATOR

HP1625 -UN-01JAN94

## STRAW CHOPPER ROTOR SHEAVE AND SHIELD



HP1625

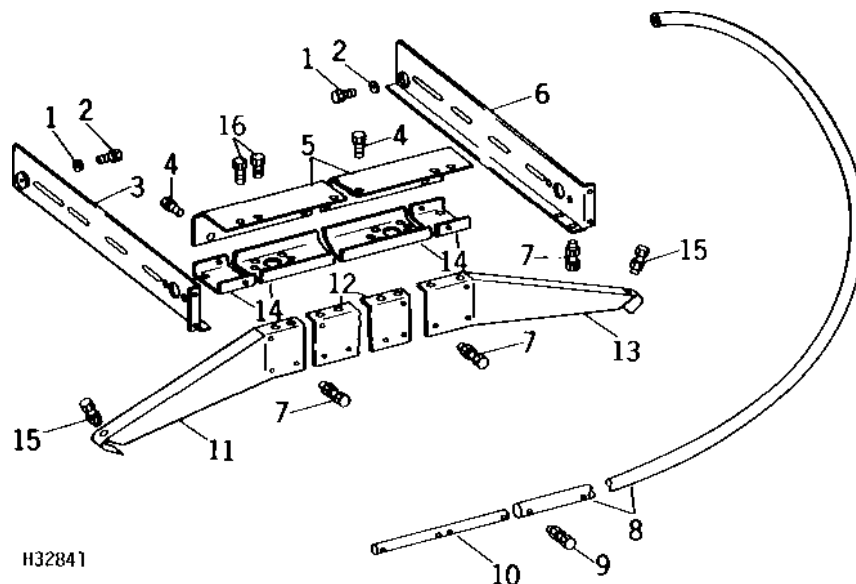
| KEY | PART NO. | PART NAME                | QTY | SERIAL NO. | REMARKS  |
|-----|----------|--------------------------|-----|------------|--|
| 1   | 22H979   | SET SCREW                | 2   |            | 3/8" X 3/8"  |
| 2   | JD8576   | ECCENTRIC LOCKING COLLAR | 2   |            |  |
| 3   | H23581   | PRESSED FLANGED HOUSING  | 4   | -550000    | (SUB H103265, THIS APPLICATION)  |
|     | H103265  | PRESSED FLANGED HOUSING  | 4   |            |  |
| 4   | JD9275   | BALL BEARING             | 2   |            |  |
| 5   | H20042   | BUSHING                  | 6   |            |  |
| 6   | 19H1732  | CAP SCREW                | 6   |            | 3/8" X 1-1/4"  |
|     | 12H304   | LOCK WASHER              | 6   |            | 3/8"   |
|     | 14H812   | NUT                      | 6   |            | 3/8"   |
| 7   | .....    | KEY                      | 1   |            | 6 MM X 6 MM X 35 MM (1/4" X 1/4" X 1-3/8")<br>(CUT FROM H64374 IN AH64587 KEY STOCK KIT) |
| 8   | 22H817   | SET SCREW                | 2   |            | 3/8" X 3/4"  |
| 9   | 14H732   | NUT                      | 2   |            | 3/8"   |
| 10  | AH90273  | SHEAVE                   | 1   |            | 187 MM (7-3/8") DIA.   |
| 11  | H98222   | BRACKET                  | 1   |            |  |
| 12  | 19H1813  | CAP SCREW                | 6   |            | 5/16" X 5/8"   |
|     | 12H303   | LOCK WASHER              | 7   | -600000    | 5/16", (SUB N10213, THIS APPLICATION)  |
|     | 14H785   | NUT                      | 7   | -600000    | 5/16", (SUB N10213, THIS APPLICATION)  |
|     | N10213   | LOCK NUT                 | 7   |            |  |
| 13  | 24H1136  | WASHER                   | 3   |            | 11/32" X 11/16" X 0.065"   |
| 14  | H98221   | SHIELD                   | 1   |            |  |
| 15  | H76209   | BRACKET                  | 1   |            |  |
| 16  | H79787   | BELT                     | 1   |            |  |

# 2H20

SEPARATOR

H32841 -UN-01JAN94

## STRAW SPREADER MOUNTING AND GUARD



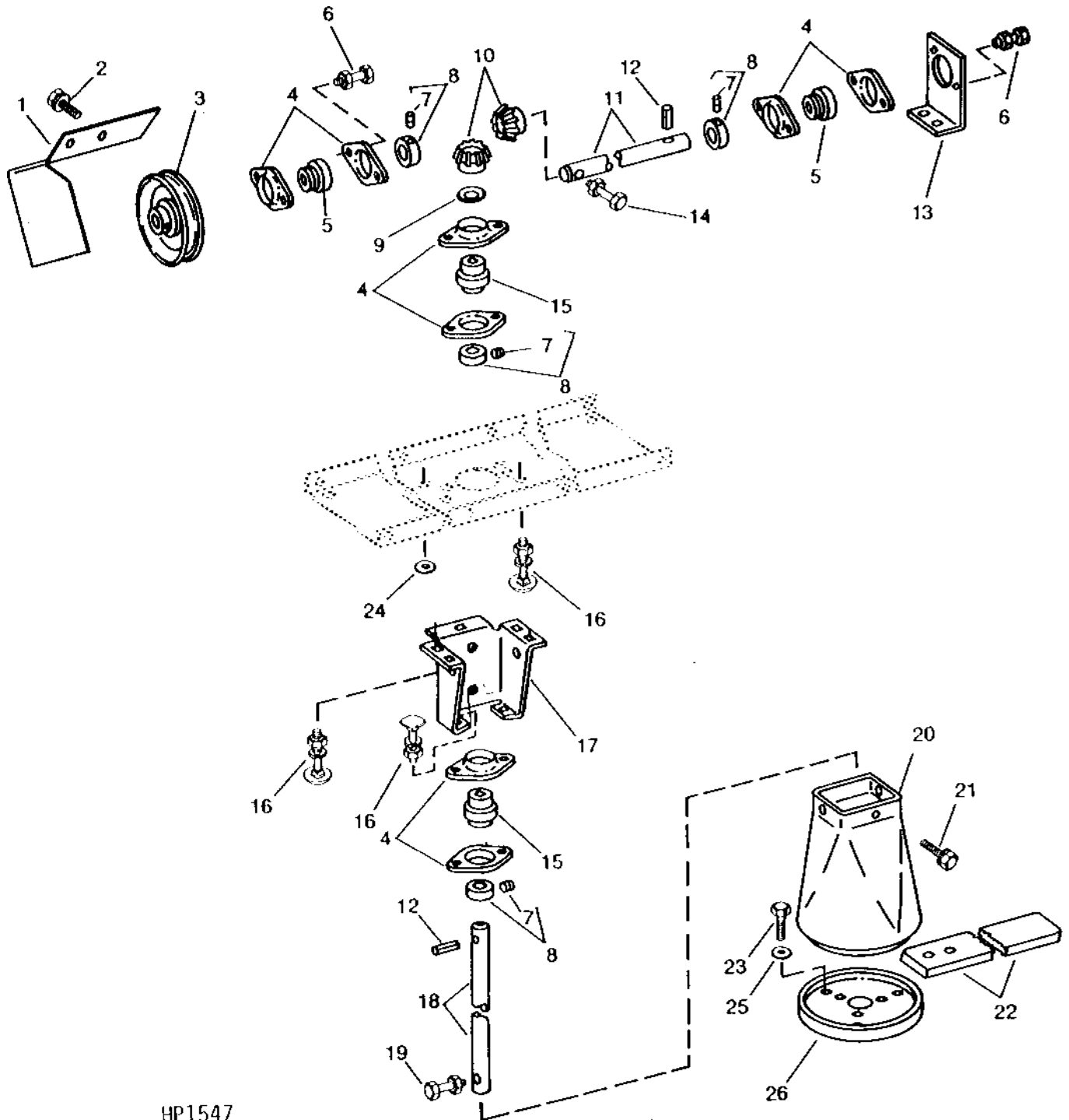
| KEY | PART NO. | PART NAME | QTY | SERIAL NO. | REMARKS                  |
|-----|----------|-----------|-----|------------|--------------------------|
| 1   | 19H1792  | CAP SCREW | 2   |            | 1/2" X 1"                |
| 2   | 24H1254  | WASHER    | 2   |            | 17/32" X 1-1/8" X 0.105" |
| 3   | H77713   | BRACKET   | 1   | -550008    | (SUB H112396)            |
|     | H112396  | SHEET     | 1   |            | L.H.                     |
| 4   | H65108   | SCREW     | 8   |            | SELF-TAPPING             |
| 5   | H83806   | COVER     | 1   |            |                          |
| 6   | H77712   | BRACKET   | 1   |            | R.H.                     |
| 7   | 19H1936  | CAP SCREW | 10  |            | 3/8" X 3/4"              |
|     | 14H812   | NUT       | 10  |            | 3/8"                     |
| 8   | AH85412  | TUBE      | 2   |            |                          |
| 9   | 19H2102  | CAP SCREW | 4   |            | 1/4" X 1-3/4"            |
|     | 14H786   | NUT       | 4   |            | 1/4"                     |
| 10  | H84932   | TUBE      | 1   |            |                          |
| 11  | H100962  | SUPPORT   | 1   |            | L.H.                     |
| 12  | H100960  | SUPPORT   | 1   |            | CENTER                   |
| 13  | H100961  | SUPPORT   | 1   |            | R.H.                     |
| 14  | H100967  | SUPPORT   | 1   | -500000    | (SUB H113760)            |
|     | H113760  | SUPPORT   | 1   |            |                          |
| 15  | 19H1901  | CAP SCREW | 2   |            | 5/16" X 2"               |
|     | 24H1136  | WASHER    | 2   |            | 11/32" X 11/16" X 0.065" |
|     | 14H785   | NUT       | 2   |            | 5/16"                    |
| 16  | H76139   | SCREW     | 2   |            | SELF-TAPPING             |

# 2H21

SEPARATOR

HP1547 -UN-01JAN94

STRAW SPREADER



HP1547



# 2H22

SEPARATOR

## STRAW SPREADER - CONTINUED

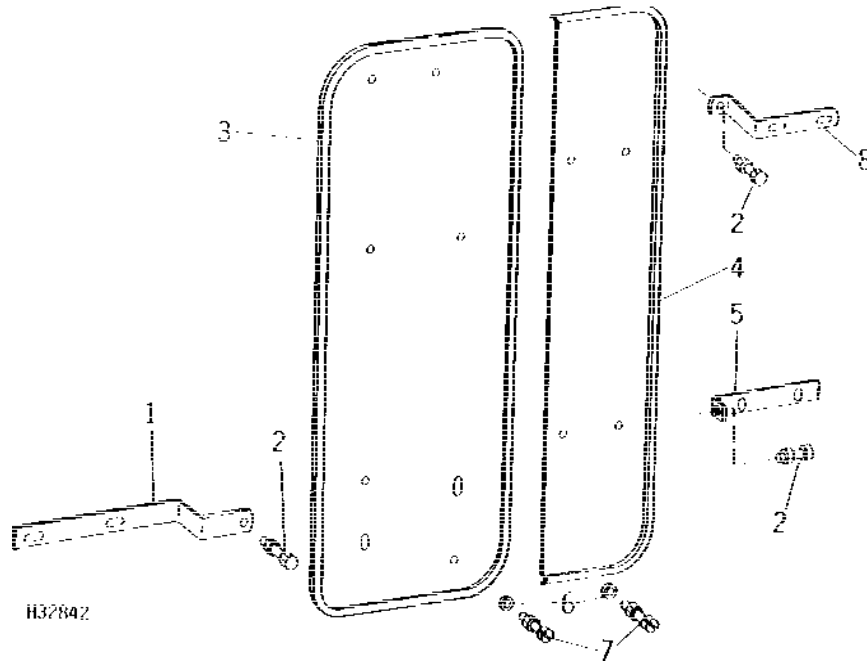
| KEY | PART NO. | PART NAME                | QTY | SERIAL NO. | REMARKS                  |
|-----|----------|--------------------------|-----|------------|--------------------------|
| 1   | H83796   | SHIELD                   | 1   |            |                          |
| 2   | H65108   | SCREW                    | 1   |            | SELF-TAPPING             |
| 3   | AH75981  | SHEAVE                   | 1   | -600010    | (SUB AH108938)           |
|     | AH108938 | SHEAVE                   | 1   |            | 152 MM (6") DIA.         |
| 4   | P44439   | PRESSED FLANGED HOUSING  | 8   |            |                          |
| 5   | JD8562   | BALL BEARING             | 2   |            |                          |
| 6   | 03H1540  | BOLT                     | 4   |            | 5/16" X 3/4"             |
|     | 14H785   | NUT                      | 4   |            | 5/16"                    |
| 7   | 22H897   | SET SCREW                | 1   |            | 1/4" X 1/4"              |
| 8   | JD8563   | ECCENTRIC LOCKING COLLAR | 1   |            |                          |
| 9   | 24H1433  | WASHER                   | 1   |            | 29/32" X 2-1/4" X 1/4"   |
| 10  | H91228   | GEAR                     | 2   |            | BEVEL, 13 TEETH          |
| 11  | H77719   | SHAFT                    | 1   |            |                          |
| 12  | 34H331   | SPRING PIN               | 2   |            | 5/16" X 1-1/2"           |
| 13  | H96250   | SUPPORT                  | 1   |            |                          |
| 14  | 19H1901  | CAP SCREW                | 1   |            | 5/16" X 2"               |
| 15  | JD9442   | BALL BEARING             | 2   |            |                          |
| 16  | 03H1540  | BOLT                     | 9   |            | 5/16" X 3/4"             |
|     | 14H785   | NUT                      | 9   |            | 5/16"                    |
| 17  | H83798   | SUPPORT                  | 1   | -500000    | (SUB H113743)            |
|     | H113743  | SUPPORT                  | 1   |            |                          |
| 18  | H27332   | PIN                      | 1   |            |                          |
| 19  | 19H1875  | CAP SCREW                | 1   |            | 5/16" X 1-3/4"           |
|     | H76696   | LOCK NUT                 | 1   |            |                          |
| 20  | H83795   | GUARD                    | 1   |            |                          |
| 21  | H83132   | SCREW                    | 3   |            | SELF-TAPPING             |
| 22  | H76933   | BLADE                    | 3   |            |                          |
| 23  | 21H1172  | SCREW                    | 6   |            | 5/16" X 1-1/2"           |
|     | 14H785   | NUT                      | 6   |            | 5/16"                    |
| 24  | 24H1136  | WASHER                   | 2   |            | 11/32" X 11/16" X 0.065" |
| 25  | 24H1296  | WASHER                   | 6   |            | 11/32" X 1-3/8" X 0.134" |
| 26  | AH90738  | PLATE                    | 1   |            |                          |

# 2H23

SEPARATOR

H32842 -UN-01JAN94

## STRAW SPREADER SHIELDS



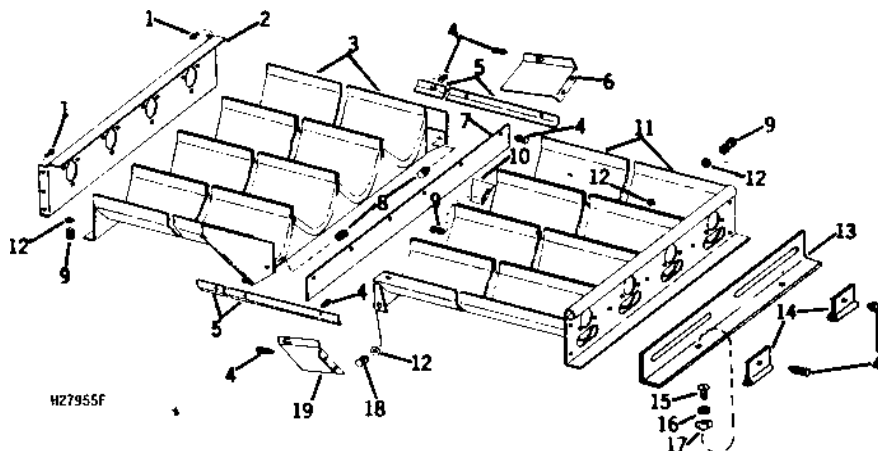
| KEY | PART NO. | PART NAME   | QTY | SERIAL NO.               | REMARKS |
|-----|----------|-------------|-----|--------------------------|---------|
| 1   | H80138   | BRACKET     | 2   | L.H.                     |         |
| 2   | 19H1913  | CAP SCREW   | 3   | 5/16" X 2-1/4"           |         |
|     | 12H303   | LOCK WASHER | 3   | 5/16"                    |         |
|     | 14H785   | NUT         | 3   | 5/16"                    |         |
| 3   | H80052   | SHIELD      | 1   | L.H.                     |         |
| 4   | H103351  | SHIELD      | 1   | R.H.                     |         |
| 5   | H103349  | BRACKET     | 1   | R.H. (LOWER SHIELD)      |         |
| 6   | 24H1136  | WASHER      | 8   | 11/32" X 11/16" X 0.065" |         |
| 7   | 21H1029  | SCREW       | 8   | 5/16" X 3/4"             |         |
|     | 12H303   | LOCK WASHER | 8   | 5/16"                    |         |
|     | 14H785   | NUT         | 8   | 5/16"                    |         |
| 8   | H103350  | BRACKET     | 1   | R.H. (UPPER SHIELD)      |         |

# 2H24

SEPARATOR

H27955F -UN-01JAN94

## SHOE GRAIN SUPPLY AUGER HOUSING



| KEY | PART NO. | PART NAME   | QTY | SERIAL NO. | REMARKS                  |
|-----|----------|-------------|-----|------------|--------------------------|
| 1   | H76139   | SCREW       | 4   |            | SELF-TAPPING             |
| 2   | AH79743  | PLATE       | 1   |            | REAR                     |
| 3   | AH79746  | HOUSING     | 1   |            | REAR                     |
| 4   | 19H2020  | CAP SCREW   | 13  |            | 5/16" X 1/2"             |
|     | N10213   | LOCK NUT    | 13  |            |                          |
| 5   | H75394   | SEAL        | 2   |            |                          |
| 6   | H75396   | SHIELD      | 1   |            | L.H.                     |
| 7   | H76024   | SEAL        | 1   |            |                          |
| 8   | 19H1731  | CAP SCREW   | 2   |            | 3/8" X 1"                |
|     | H99923   | LOCK NUT    | 2   |            |                          |
| 9   | 19H1900  | CAP SCREW   | 27  |            | 5/16" X 3/4"             |
|     | 12H303   | LOCK WASHER | 27  |            | 5/16"                    |
|     | 14H785   | NUT         | 27  |            | 5/16"                    |
| 10  | H81960   | PARTITION   | 3   |            |                          |
| 11  | AH104362 | HOUSING     | 1   |            | FRONT                    |
| 12  | 24H1136  | WASHER      | 34  |            | 11/32" X 11/16" X 0.065" |
| 13  | H105418  | DOOR        | 1   |            |                          |
| 14  | H94167   | CLAMP       | 2   |            |                          |
| 15  | 03H1778  | BOLT        | 2   |            | 1/4" X 5/8"              |
| 16  | 24H1287  | WASHER      | 2   |            | 9/32" X 5/8" X 0.065"    |
| 17  | 14H952   | WING NUT    | 2   |            | 1/4"                     |
| 18  | 19H2127  | CAP SCREW   | 2   |            | 5/16" X 7/8"             |
|     | 12H303   | LOCK WASHER | 2   |            | 5/16"                    |
|     | 14H785   | NUT         | 2   |            | 5/16"                    |
| 19  | H75395   | SHIELD      | 1   |            | R.H.                     |

---

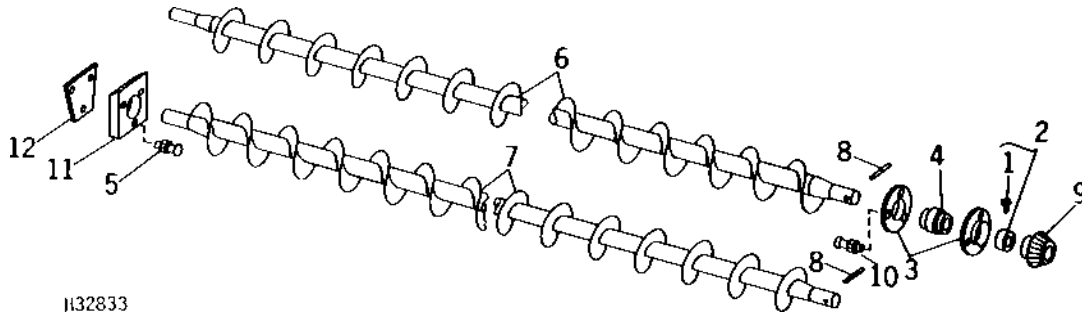
MEMORANDA

# 2H25

SEPARATOR

H32833 -UN-01JAN94

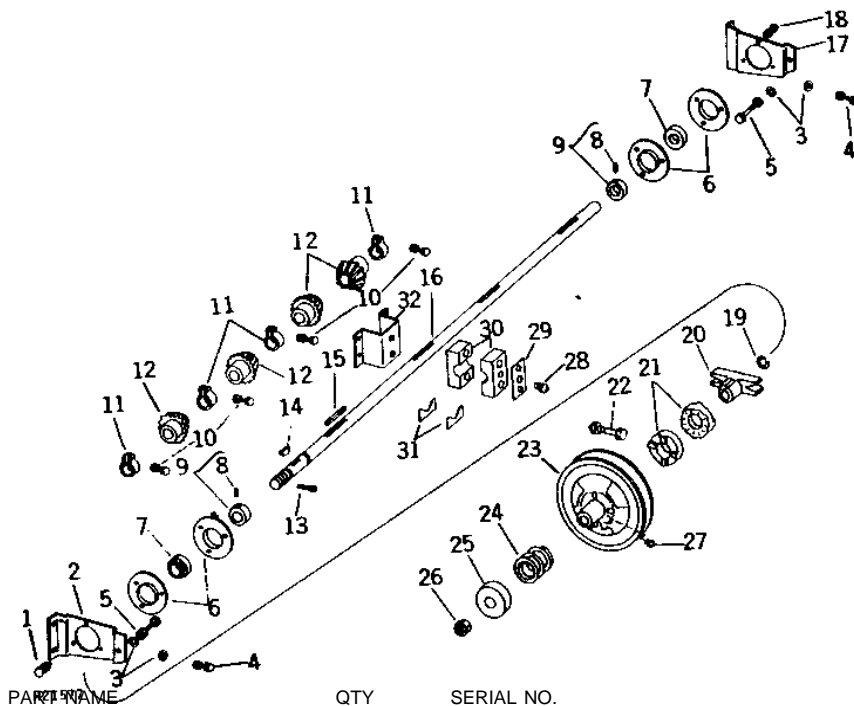
## SHOE GRAIN SUPPLY AUGERS



H32833

| KEY | PART NO. | PART NAME                | QTY | SERIAL NO. | REMARKS        |
|-----|----------|--------------------------|-----|------------|----------------|
| 1   | 22H897   | SET SCREW                | 4   |            | 1/4" X 1/4"    |
| 2   | JD8554   | ECCENTRIC LOCKING COLLAR | 4   |            |                |
| 3   | H87472   | PRESSED FLANGED HOUSING  | 8   | -600400    |                |
|     | H103264  | PRESSED FLANGED HOUSING  | 8   | 600401-    |                |
| 4   | JD9273   | BALL BEARING             | 4   |            |                |
| 5   | 03H2125  | BOLT                     | 12  |            | 5/16" X 2"     |
|     | 14H785   | NUT                      | 12  |            | 5/16"          |
| 6   | AH85356  | AUGER                    | 2   |            | R.H.           |
| 7   | AH85357  | AUGER                    | 2   |            | L.H.           |
| 8   | 34H188   | SPRING PIN               | 4   |            | 5/16" X 1-3/4" |
| 9   | H75406   | GEAR                     | 4   |            | 13 TEETH       |
| 10  | 03H1540  | BOLT                     | 12  |            | 5/16" X 3/4"   |
|     | 14H785   | NUT                      | 12  |            | 5/16"          |
| 11  | H84838   | BEARING                  | 4   |            |                |
| 12  | H84839   | PLATE                    | 4   |            |                |

H21577 -UN-01JAN94

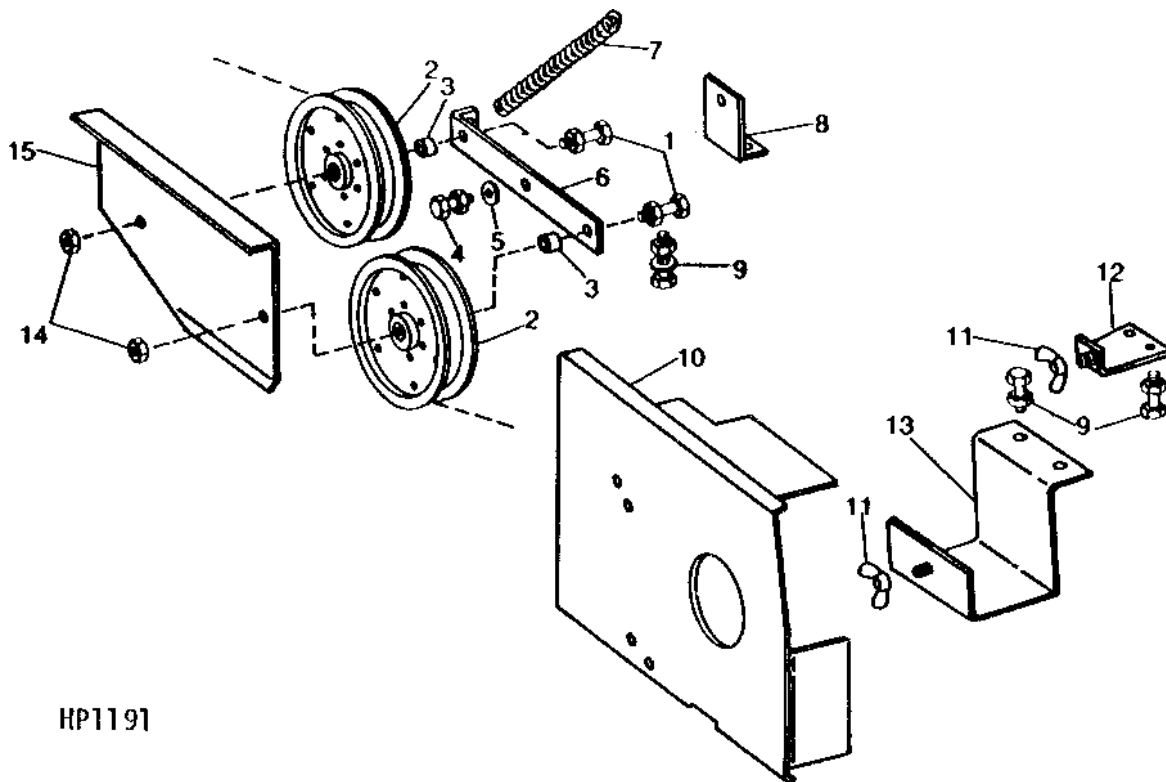
**SHOE GRAIN SUPPLY AUGERS DRIVE SHAFT AND SHEAVE**


| KEY | PART NO. | PART NAME                | QTY | SERIAL NO. | REMARKS   |
|-----|----------|--------------------------|-----|------------|---|
| 1   | 03H1709  | BOLT                     | 3   |            | 5/16" X 1"  |
|     | 14H785   | NUT                      | 3   |            | 5/16"   |
| 2   | H85504   | BRACKET                  | 1   |            | R.H.  |
| 3   | 24H1136  | WASHER                   | 6   |            | 11/32" X 11/16" X 0.065"  |
| 4   | 19H1900  | CAP SCREW                | 4   |            | 5/16" X 3/4"  |
|     | 14H785   | NUT                      | 4   |            | 5/16"   |
| 5   | 19H1905  | CAP SCREW                | 2   |            | 5/16" X 1"  |
|     | 14H785   | NUT                      | 2   |            | 5/16"   |
| 6   | H87472   | PRESSED FLANGED HOUSING  | 4   | -600400    |   |
|     | H103264  | PRESSED FLANGED HOUSING  | 4   | 600401-    |   |
| 7   | JD8665   | BALL BEARING             | 2   |            |   |
| 8   | 22H897   | SET SCREW                | 2   |            | 1/4" X 1/4"   |
| 9   | JD8554   | ECCENTRIC LOCKING COLLAR | 2   |            |   |
| 10  | 19H1765  | CAP SCREW                | 4   |            | 3/8" X 1-3/4"   |
|     | 14H812   | NUT                      | 4   |            | 3/8"  |
| 11  | M2300T   | CLAMP                    | 4   |            |   |
| 12  | H75406   | GEAR                     | 4   |            | 13 TEETH  |
| 13  | 11H215   | COTTER PIN               | 1   |            | 1/4" X 1-1/2"   |
| 14  | 26H14    | SHAFT KEY                | 1   |            | 3/16" X 3/4"  |
| 15  | .....    | KEY                      | 4   |            | 6 MM X 6 MM X 19 MM (1/4" X 1/4" X 3/4") (CUT FROM H64374 IN AH64587 KEY STOCK KIT) |
| 16  | H83083   | SHAFT                    | 1   |            |   |
| 17  | H85505   | BRACKET                  | 1   |            | L.H.  |
| 18  | 03H1540  | BOLT                     | 3   |            | 5/16" X 3/4"  |
|     | 14H785   | NUT                      | 3   |            | 5/16"   |
| 19  | H80714   | SNAP RING                | 1   |            |   |
| 20  | H76901   | DRIVER                   | 1   |            |   |
| 21  | Z699H    | SLIP CLUTCH              | 2   |            |   |
| 22  | 19H1731  | CAP SCREW                | 2   |            | 3/8" X 1"   |
|     | H99923   | LOCK NUT                 | 2   |            |   |
| 23  | H83081   | SHEAVE                   | 1   |            | 241 MM (9-1/2") DIA.  |

## SHOE GRAIN SUPPLY AUGERS DRIVE SHAFT AND SHEAVE-CONTINUED

| KEY | PART NO. | PART NAME           | QTY | SERIAL NO. | REMARKS               |
|-----|----------|---------------------|-----|------------|-----------------------|
| 24  | J21022   | SPRING              | 1   |            |                       |
| 25  | H97542   | CAP                 | 1   |            |                       |
| 26  | 14H872   | NUT                 | 1   | 1"         |                       |
| 27  | JD7797   | LUBRICATION FITTING | 1   |            | STRAIGHT, 1/4"        |
| 28  | JD7768   | LUBRICATION FITTING | 1   |            | WOOD, STRAIGHT, 7/16" |
| 29  | H83089   | PLATE               | 1   |            |                       |
| 30  | AH15397  | BEARING             | 1   |            | (MATCHED PAIR)        |
| 31  | P16643   | SHIM                | AR  |            |                       |
| 32  | H83090   | BRACKET             | 1   |            | CENTER                |

HP1191 -UN-01JAN94

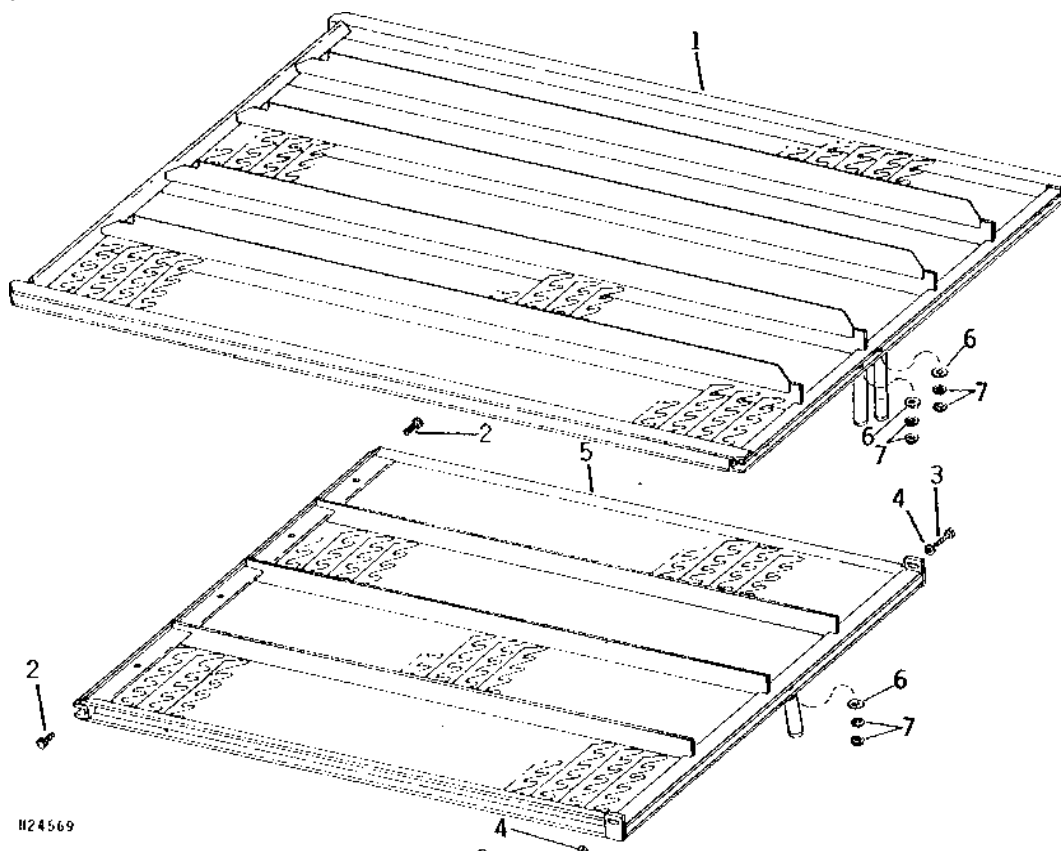
**SHOE GRAIN SUPPLY AUGERS DRIVE TIGHTENER AND SHIELDS**

**HP1191**

| KEY | PART NO. | PART NAME   | QTY | SERIAL NO.               | REMARKS |
|-----|----------|-------------|-----|--------------------------|---------|
| 1   | 19H1930  | CAP SCREW   | 2   | 1/2" X 2-1/2"            |         |
|     | 12H301   | LOCK WASHER | 2   | 1/2"                     |         |
|     | 14H826   | NUT         | 2   | 1/2"                     |         |
| 2   | AH14097  | SHEAVE      | 2   | 178 MM (7") DIA.         |         |
| 3   | 28H1597  | WASHER      | 2   | 0.546" X 0.840" X 3/8"   |         |
| 4   | 19H1731  | CAP SCREW   | 1   | 3/8" X 1"                |         |
|     | H99923   | LOCK NUT    | 1   |                          |         |
| 5   | 24H1305  | WASHER      | 1   | 13/32" X 13/16" X 0.065" |         |
| 6   | H78745   | ARM         | 1   |                          |         |
| 7   | H85783   | SPRING      | 1   |                          |         |
| 8   | H78744   | BRACKET     | 1   |                          |         |
| 9   | 19H2127  | CAP SCREW   | 6   | 5/16" X 7/8"             |         |
|     | 14H785   | NUT         | 6   | 5/16"                    |         |
| 10  | AH76977  | SHIELD      | 1   |                          |         |
| 11  | 14H819   | WING NUT    | 2   | 5/16"                    |         |
| 12  | AH76979  | BRACKET     | 1   | UPPER                    |         |
| 13  | AH76978  | BRACKET     | 1   | LOWER                    |         |
| 14  | 14H826   | NUT         | 1   | 1/2"                     |         |
| 15  | H100709  | SHIELD      | 1   |                          |         |



H24569 -UN-01JAN94

## CHAFFER AND SIEVE



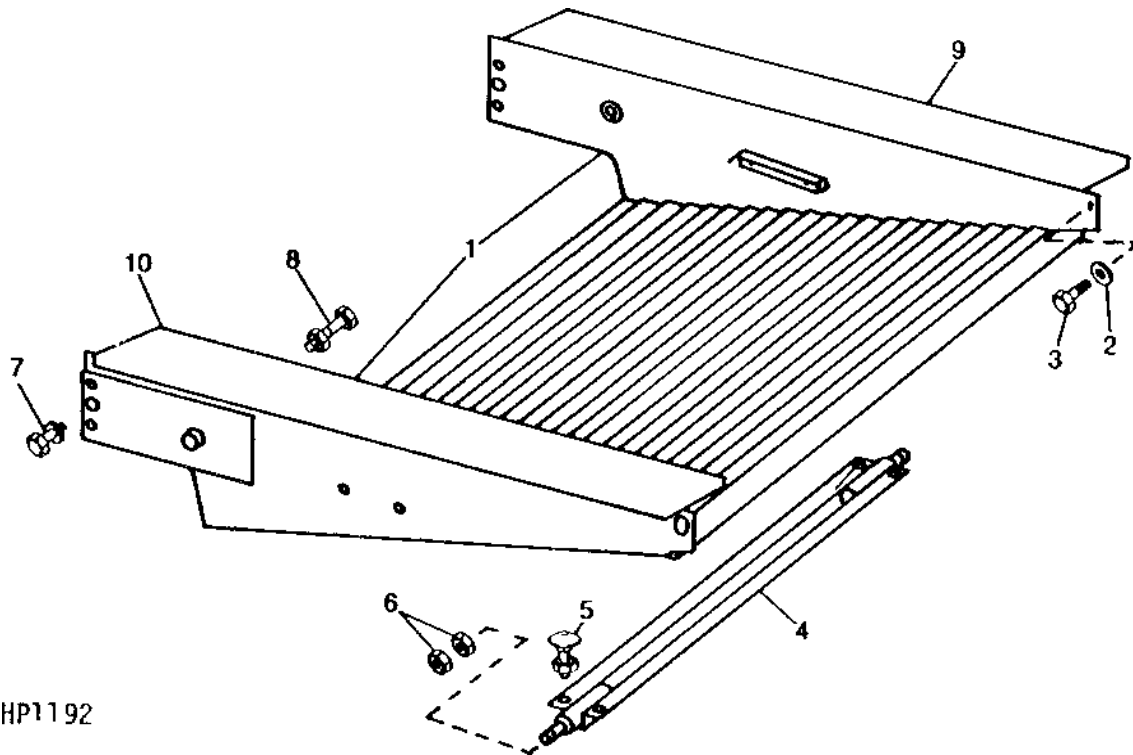
| KEY | PART NO. | PART NAME | QTY | SERIAL NO. | REMARKS                               |
|-----|----------|-----------|-----|------------|---------------------------------------|
| 1   | AH87874  | CHAFFER   | 1   |            | REGULAR TOOTH, 29 MM (1-1/8") SPACING |
|     | AH87875  | CHAFFER   | 1   |            | REGULAR TOOTH, 41 MM (1-5/8") SPACING |
|     | AH87876  | CHAFFER   | 1   |            | DEEP TOOTH, 41 MM (1-5/8") SPACING    |
| 2   | 19H2548  | CAP SCREW | 4   |            | 1/2" X 7/8"                           |
| 3   | 19H1900  | CAP SCREW | 2   |            | 5/16" X 3/4"                          |
| 4   | 24H1136  | WASHER    | 2   |            | 11/32" X 11/16" X 0.065"              |
| 5   | AH85351  | SIEVE     | 1   |            | ADJUSTABLE                            |
|     | AH77393  | SIEVE     | 1   |            | FIXED, 3 MM (1/10") RD. HOLES         |
|     | AH77395  | SIEVE     | 1   |            | FIXED, 7 MM (9/32") RD. HOLES         |
|     | AH77397  | SIEVE     | 1   |            | FIXED, 10 MM ((3/8") RD. HOLES        |
|     | AH98003  | SIEVE     | 1   |            | DEEP TOOTH                            |
| 6   | H86767   | WASHER    | AR  |            | (2 USED, CHAFFER; 1 USED, SIEVE)      |
| 7   | H86768   | WASHER    | AR  |            | (4 USED, CHAFFER; 2 USED, SIEVE)      |

---

MEMORANDA

HP1192 -UN-01JAN94

## LOWER SHOE SIEVE FRAME



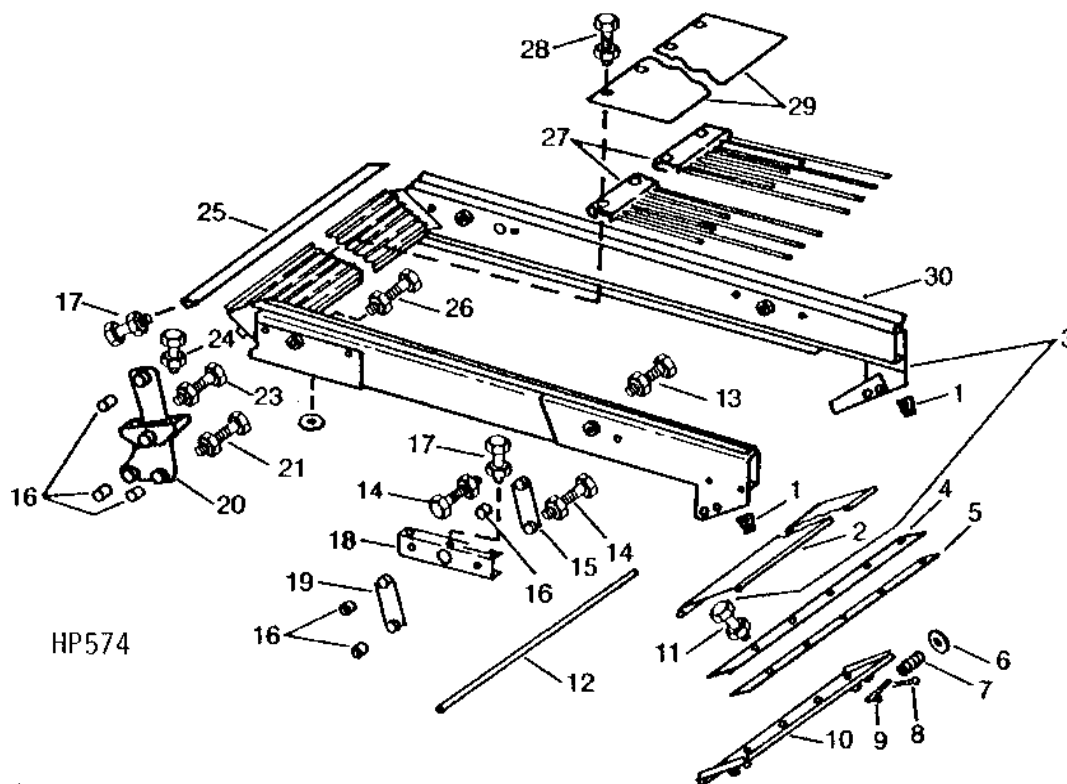
HP1192

| KEY | PART NO. | PART NAME   | QTY | SERIAL NO.               | REMARKS |
|-----|----------|-------------|-----|--------------------------|---------|
| 1   | AH86893  | FRAME       | 1   |                          |         |
| 2   | 24H1136  | WASHER      | 2   | 11/32" X 11/16" X 0.065" |         |
| 3   | 19H1900  | CAP SCREW   | 2   | 5/16" X 3/4"             |         |
| 4   | AH84155  | SUPPORT     | 1   |                          |         |
| 5   | 03H1540  | BOLT        | 4   | 5/16" X 3/4"             |         |
|     | 14H785   | NUT         | 4   | 5/16"                    |         |
| 6   | 14H1039  | NUT         | 4   | 5/8"                     |         |
| 7   | 19H2548  | CAP SCREW   | 2   | 1/2" X 7/8"              |         |
|     | 12H301   | LOCK WASHER | 2   | 1/2"                     |         |
| 8   | 19H3142  | SCREW       | 2   | 5/8" X 3-1/4"            |         |
|     | 14H1039  | NUT         | 4   | 5/8"                     |         |
| 9   | H78480   | SEAL        | 1   | R.H.                     |         |
| 10  | H80141   | SEAL        | 1   | L.H.                     |         |

HP574

-UN-01JAN94

## UPPER SHOE CHAFFER FRAME



HP574

| KEY | PART NO. | PART NAME   | QTY | SERIAL NO. | REMARKS                  |
|-----|----------|-------------|-----|------------|--------------------------|
| 1   | H97780   | BRACKET     | 2   |            |                          |
| 2   | H97683   | FLOOR       | 1   |            |                          |
| 3   | AH91006  | FRAME       | 1   |            |                          |
| 4   | H80370   | SEAL        | 1   |            |                          |
| 5   | H80372   | STRIP       | 1   |            |                          |
| 6   | 24H1305  | WASHER      | 2   |            | 13/32" X 13/16" X 0.065" |
| 7   | HZ5621H  | SPRING      | 2   |            |                          |
| 8   | 11H211   | COTTER PIN  | 2   |            | 1/8" X 3/4"              |
| 9   | P39705   | PIN         | 2   |            |                          |
| 10  | AH96558  | DOOR        | 1   |            |                          |
| 11  | 19H1900  | CAP SCREW   | 6   |            | 5/16" X 3/4"             |
|     | 14H785   | NUT         | 6   |            | 5/16"                    |
| 12  | H78505   | PIN         | 1   |            |                          |
| 13  | 19H3144  | SCREW       | 2   |            | 5/8" X 3-1/2"            |
|     | 14H821   | NUT         | 4   |            | 5/8"                     |
| 14  | 19H1847  | CAP SCREW   | 4   |            | 5/8" X 2-1/2"            |
|     | 12H294   | LOCK WASHER | 4   |            | 5/8"                     |
|     | 14H1039  | NUT         | 4   |            | 5/8"                     |
| 15  | AH80496  | ARM         | 2   |            |                          |
| 16  | AH80384  | ISOLATOR    | 16  |            |                          |

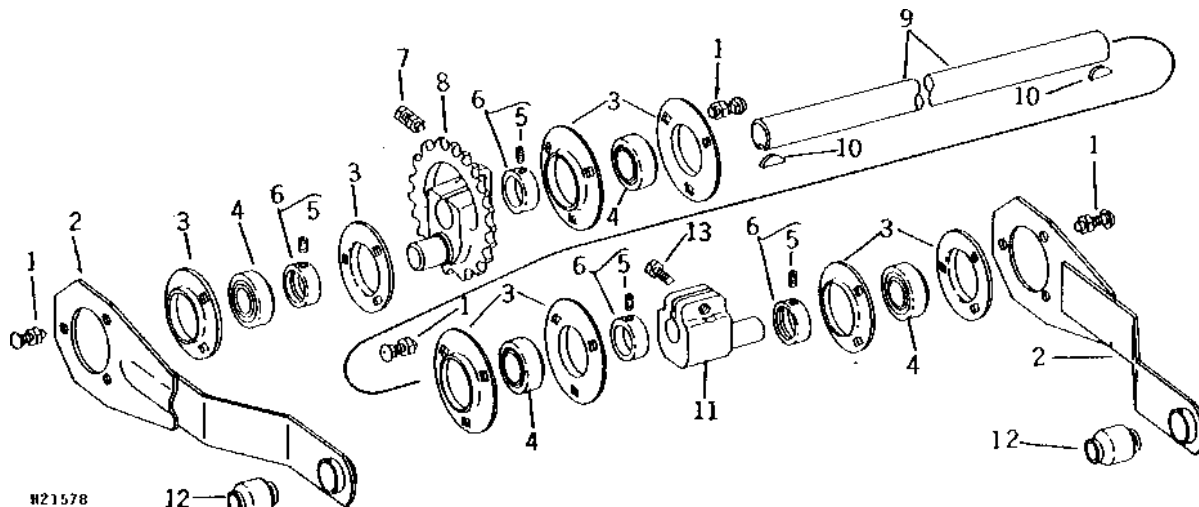
THIS PARTS LISTING IS CONTINUED

## UPPER SHOE CHAFFER FRAME - CONTINUED

| KEY | PART NO. | PART NAME   | QTY | SERIAL NO.               | REMARKS |
|-----|----------|-------------|-----|--------------------------|---------|
| 17  | 19H1813  | CAP SCREW   | 14  | 5/16" X 5/8"             |         |
|     | 14H785   | NUT         | 14  | 5/16"                    |         |
| 18  | H81962   | SUPPORT     | 1   | (R.H.)                   |         |
|     | H81963   | SUPPORT     | 1   | (L.H.)                   |         |
| 19  | AH76808  | ARM         | 2   |                          |         |
| 20  | AH76813  | ROCKER ARM  | 1   | (R.H.)                   |         |
|     | AH76814  | ROCKER ARM  | 1   | (L.H.)                   |         |
| 21  | 03H1758  | BOLT        | 2   | 5/8" X 3-1/4"            |         |
|     | 14H1039  | NUT         | 4   | 5/8"                     |         |
| 22  | 24H1136  | WASHER      | 4   | 11/32" X 11/16" X 0.065" |         |
| 23  | 19H1890  | CAP SCREW   | 2   | 5/8" X 2-3/4"            |         |
|     | 12H294   | LOCK WASHER | 2   | 5/8"                     |         |
|     | 14H1039  | NUT         | 2   | 5/8"                     |         |
| 24  | 19H2284  | CAP SCREW   | 4   | 3/8" X 7/8"              |         |
|     | 14H812   | NUT         | 4   | 3/8"                     |         |
| 25  | H78500   | DEFLECTOR   | 1   |                          |         |
| 26  | 19H3143  | SCREW       | 2   | 5/8" X 4"                |         |
|     | 14H1039  | NUT         | 4   | 5/8"                     |         |
| 27  | AH80495  | FINGER      | 1   |                          |         |
| 28  | 19H1905  | CAP SCREW   | 4   | 5/16" X 1"               |         |
|     | 14H785   | NUT         | 4   | 5/16"                    |         |
| 29  | H81972   | DEFLECTOR   | 1   |                          |         |
| 30  | H78498   | SEAL        | 2   |                          |         |

H21578 -UN-01JAN94

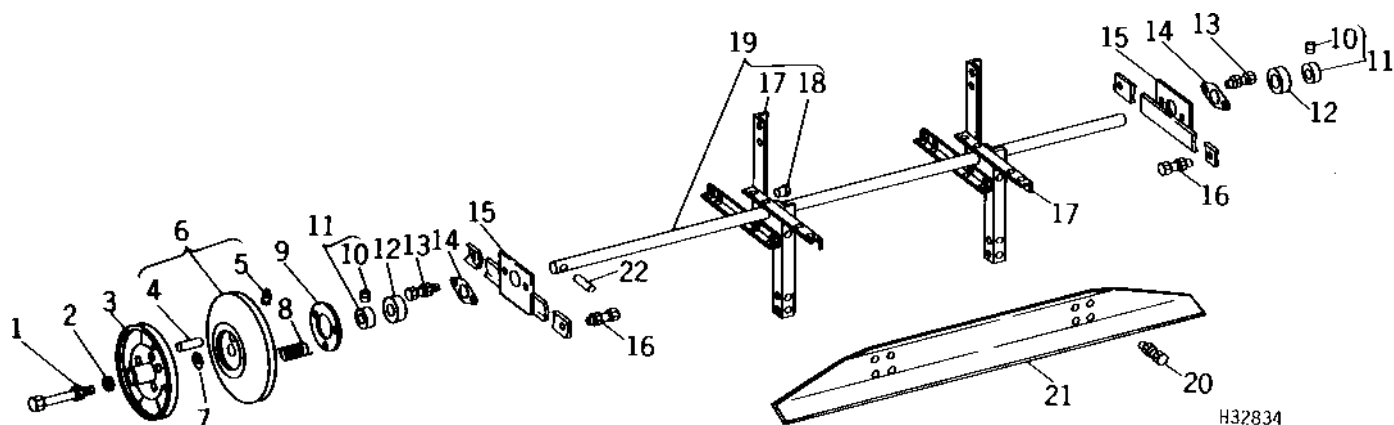
## SHOE PITMAN AND SHAFT



| KEY | PART NO. | PART NAME                | QTY | SERIAL NO. | REMARKS        |
|-----|----------|--------------------------|-----|------------|----------------|
| 1   | 03H1540  | BOLT                     | 12  |            | 5/16" X 3/4"   |
|     | 14H785   | NUT                      | 12  |            | 5/16"          |
| 2   | AH76816  | PITMAN                   | 2   |            |                |
| 3   | H76654   | PRESSED FLANGED HOUSING  | 8   |            |                |
| 4   | JD8665   | BALL BEARING             | 4   |            |                |
| 5   | 22H897   | SET SCREW                | 4   |            | 1/4" X 1/4"    |
| 6   | JD8554   | ECCENTRIC LOCKING COLLAR | 4   |            |                |
| 7   | 19H1765  | CAP SCREW                | 2   |            | 3/8" X 1-3/4"  |
|     | 14H812   | NUT                      | 2   |            | 3/8"           |
| 8   | H78523   | CHAIN SPROCKET           | 1   |            | 27 TEETH       |
| 9   | H78526   | CRANKSHAFT               | 1   |            |                |
| 10  | 26H31    | SHAFT KEY                | 2   |            | 5/16" X 1-1/4" |
| 11  | H78522   | CRANK                    | 1   |            |                |
| 12  | AH80384  | ISOLATOR                 | 2   |            |                |
| 13  | 19H1733  | CAP SCREW                | 1   |            | 3/8" X 2-1/2"  |

H32834 -UN-01JAN94

## CLEANING FAN



H32834

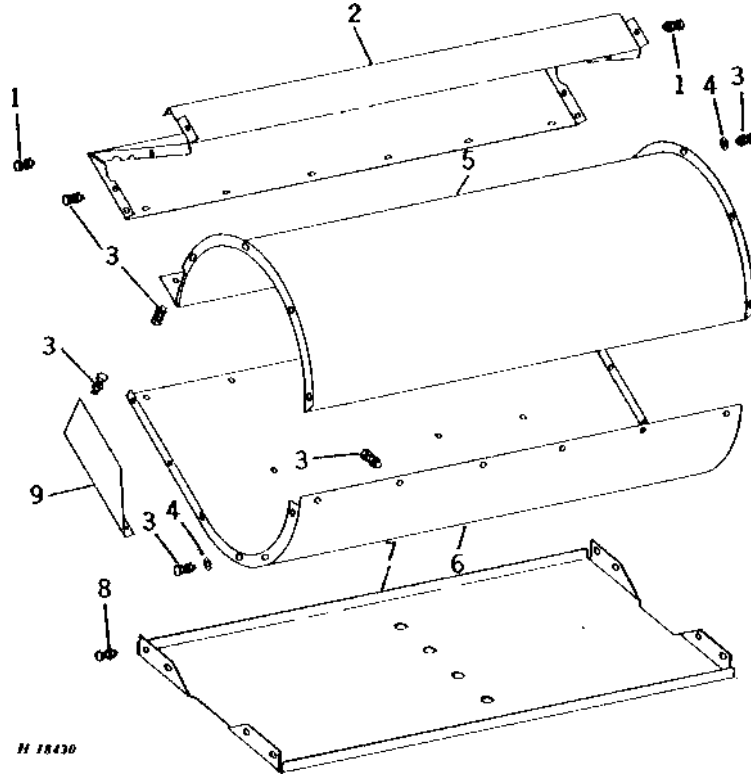
| KEY | PART NO. | PART NAME                | QTY | SERIAL NO.  | REMARKS |
|-----|----------|--------------------------|-----|---|---------|
| 1   | 19H2342  | CAP SCREW                | 3   | 5/16" X 4-1/2"                                    |         |
|     | M40699   | NUT                      | 3   |   |         |
| 2   | 24H1136  | WASHER                   | 11  | 11/32" X 11/16" X 0.065"                          |         |
| 3   | H97703   | SHEAVE                   | 1   | 213 MM (8-3/8") DIA. (USE WITH 34H307 AND 34H357) |         |
| 4   | N137598  | SPRING PIN               | 1   |   |         |
| 5   | JD7798   | LUBRICATION FITTING      | 1   | STRAIGHT, 1/8"                                    |         |
| 6   | AH100009 | SHEAVE                   | 1   | 213 MM (8-3/8") DIA. (MARKED H100793)             |         |
| 7   | A4730R   | O-RING                   | 1   |   |         |
| 8   | H75536   | SPRING                   | 3   |   |         |
| 9   | H75535   | WASHER                   | 1   |   |         |
| 10  | 22H897   | SET SCREW                | 2   | 1/4" X 1/4"                                       |         |
| 11  | JD8554   | ECCENTRIC LOCKING COLLAR | 2   |   |         |
| 12  | JD8665   | BALL BEARING             | 2   |   |         |
| 13  | 03H1540  | BOLT                     | 4   | 5/16" X 3/4"                                      |         |
|     | 12H303   | LOCK WASHER              | 4   | 5/16"   |         |
|     | 14H785   | NUT                      | 4   | 5/16"   |         |
| 14  | P44439   | PRESSED FLANGED HOUSING  | 4   |   |         |
| 15  | AH101288 | BRACKET                  | 2   | (USE WITH (2) P44439)                             |         |
| 16  | 19H2127  | CAP SCREW                | 4   | 5/16" X 7/8"                                      |         |
|     | 14H785   | NUT                      | 4   | 5/16"   |         |
| 17  | H80826   | ANGLE                    | 8   |   |         |
| 18  | 16H1101  | RIVET                    | 8   | 5/16" X 7/8"                                      |         |
| 19  | AH79119  | SHAFT                    | 1   |   |         |
| 20  | 19H1813  | CAP SCREW                | 20  | 5/16" X 5/8"                                      |         |
|     | 14H785   | NUT                      | 20  | 5/16"   |         |
| 21  | H80827   | FAN BLADE                | 4   |   |         |
| 22  | 34H307   | SPRING PIN               | 1   | 7/32" X 2-1/2"                                    |         |
|     | 34H357   | SPRING PIN               | 1   | 3/8" X 2-1/2"                                     |         |

# 2110

SEPARATOR

H18430 -UN-01JAN94

## CLEANING FAN HOUSING AND SHIELD



| KEY | PART NO. | PART NAME | QTY | SERIAL NO.               | REMARKS |
|-----|----------|-----------|-----|--------------------------|---------|
| 1   | 19H1900  | CAP SCREW | 4   | 5/16" X 3/4"             |         |
|     | 14H785   | NUT       | 4   | 5/16"                    |         |
| 2   | H76022   | NOZZLE    | 1   |                          |         |
| 3   | 19H1813  | CAP SCREW | 49  | 5/16" X 5/8"             |         |
|     | 14H785   | NUT       | 49  | 5/16"                    |         |
| 4   | 24H1136  | WASHER    | 24  | 11/32" X 11/16" X 0.065" |         |
| 5   | H83732   | HOUSING   | 1   | UPPER                    |         |
| 6   | H76020   | HOUSING   | 1   | LOWER                    |         |
| 7   | H77710   | SHIELD    | 1   |                          |         |
| 8   | 03H1519  | BOLT      | 8   | 3/8" X 1"                |         |
|     | 14H812   | NUT       | 8   | 3/8"                     |         |
| 9   | H80829   | NOZZLE    | 3   |                          |         |

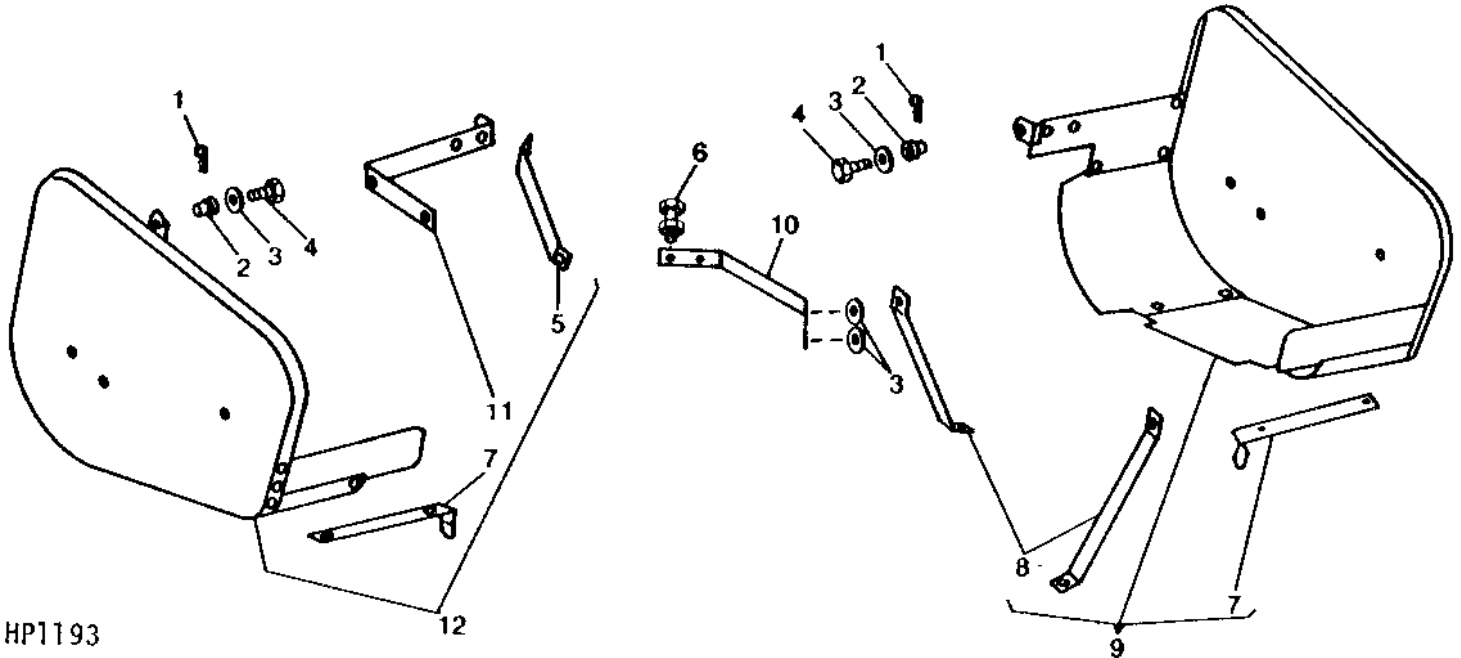


# 2111

SEPARATOR

HP1193 -UN-01JAN94

## CLEANING FAN AIR DUCTS



HP1193

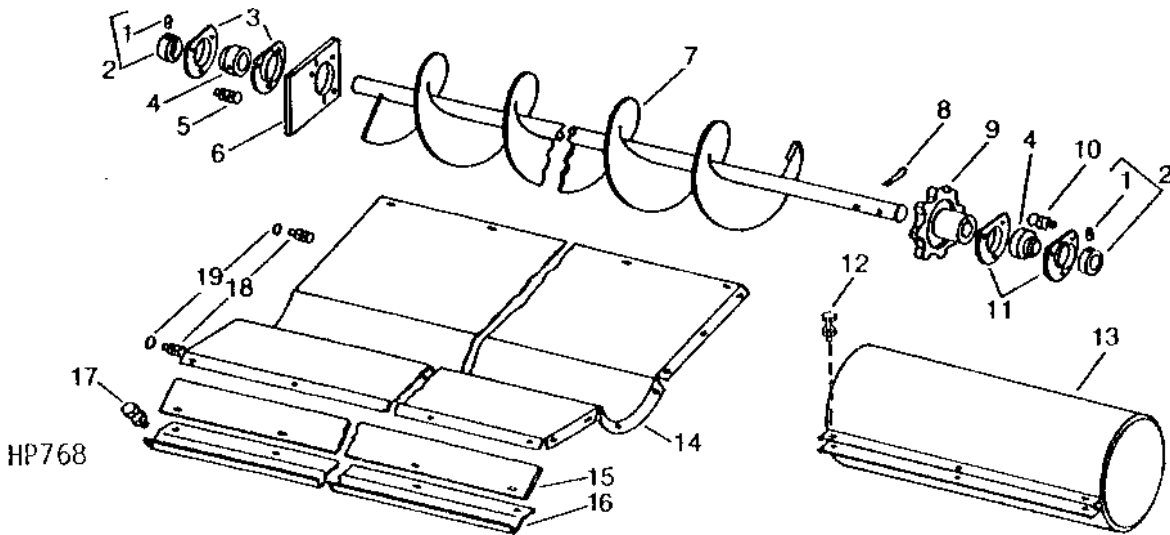
| KEY | PART NO. | PART NAME          | QTY | SERIAL NO. | REMARKS                   |
|-----|----------|--------------------|-----|------------|---------------------------|
| 1   | A3581R   | SPRING LOCKING PIN | 2   |            |                           |
| 2   | H76989   | PIN                | 2   |            |                           |
| 3   | 24H1136  | WASHER             | 2   |            |                           |
| 4   | 19H2020  | CAP SCREW          | 2   |            | 11/32" X 11/16" X 0.065"  |
| 5   | H80754   | BRACE              | 1   |            | L.H., FAN DUCT            |
| 6   | 24H1498  | WASHER             | 17  |            | 1-9/32" X 2-1/8" X 0.120" |
|     | 14H785   | NUT                | 17  |            | 5/16"                     |
| 7   | H79357   | BRACE              | 4   |            |                           |
| 8   | H92386   | BRACE              | 2   |            | LOWER                     |
| 9   | AH92113  | AIR DUCT           | 1   |            | R.H.                      |
| 10  | H79358   | BRACE              | 1   |            | UPPER                     |
| 11  | H80755   | ARM                | 1   |            |                           |
| 12  | AH92112  | AIR DUCT           | 1   |            | L.H.                      |

# 2112

SEPARATOR

HP768 -UN-01JAN94

## CLEAN GRAIN LOWER AUGER AND HOUSING



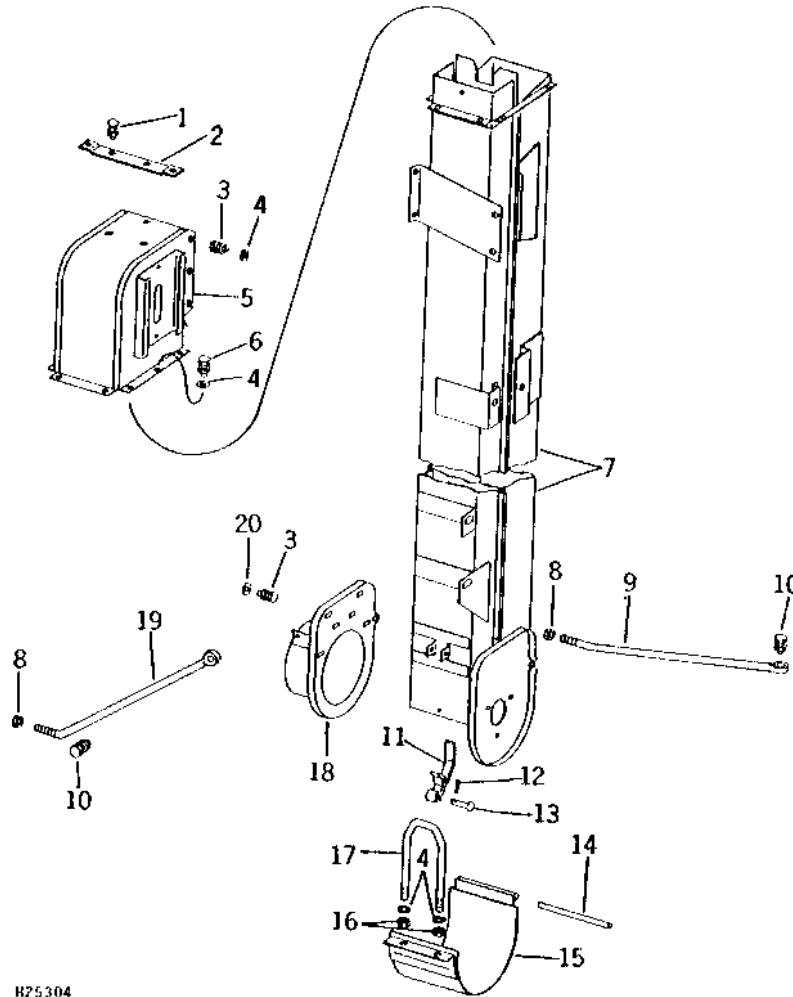
| KEY | PART NO. | PART NAME                | QTY | SERIAL NO. | REMARKS                  |
|-----|----------|--------------------------|-----|------------|--------------------------|
| 1   | 22H897   | SET SCREW                | 2   |            | 1/4" X 1/4"              |
| 2   | JD8554   | ECCENTRIC LOCKING COLLAR | 2   |            |                          |
| 3   | H87472   | PRESSED FLANGED HOUSING  | 2   |            |                          |
| 4   | JD8665   | BALL BEARING             | 2   |            |                          |
| 5   | 03H1709  | BOLT                     | 3   |            | 5/16" X 1"               |
|     | 14H785   | NUT                      | 3   |            | 5/16"                    |
| 6   | H28563   | PLATE                    | 1   |            |                          |
| 7   | AH76772  | AUGER                    | 1   |            |                          |
| 8   | 11H249   | COTTER PIN               | 2   |            | 1/4" X 2"                |
| 9   | H63578   | CHAIN SPROCKET           | 1   |            | 7 TEETH                  |
| 10  | 03H1539  | BOLT                     | 3   |            | 5/16" X 5/8"             |
|     | 14H785   | NUT                      | 3   |            | 5/16"                    |
| 11  | H87472   | PRESSED FLANGED HOUSING  | 2   | -600400    |                          |
|     | H103264  | PRESSED FLANGED HOUSING  | 2   | 600401-    |                          |
| 12  | 19H1849  | CAP SCREW                | 3   |            | 5/16" X 1-1/4"           |
|     | 14H785   | NUT                      | 3   |            | 5/16"                    |
| 13  | H78850   | HOOP                     | 1   |            | (SOLID)                  |
|     | H78851   | HOOP                     | 1   |            | (PERFORATED)             |
| 14  | H76012   | HOUSING                  | 1   |            |                          |
| 15  | H76014   | SEAL                     | 1   |            |                          |
| 16  | H76016   | STRIP                    | 1   |            |                          |
| 17  | 19H1849  | CAP SCREW                | 3   |            | 5/16" X 1-1/4"           |
|     | 14H785   | NUT                      | 3   |            | 5/16"                    |
| 18  | 19H1813  | CAP SCREW                | 20  |            | 5/16" X 5/8"             |
|     | 14H785   | NUT                      | 20  |            | 5/16"                    |
| 19  | 24H1136  | WASHER                   | 10  |            | 11/32" X 11/16" X 0.065" |

# 2113

SEPARATOR

H25304 -UN-01JAN94

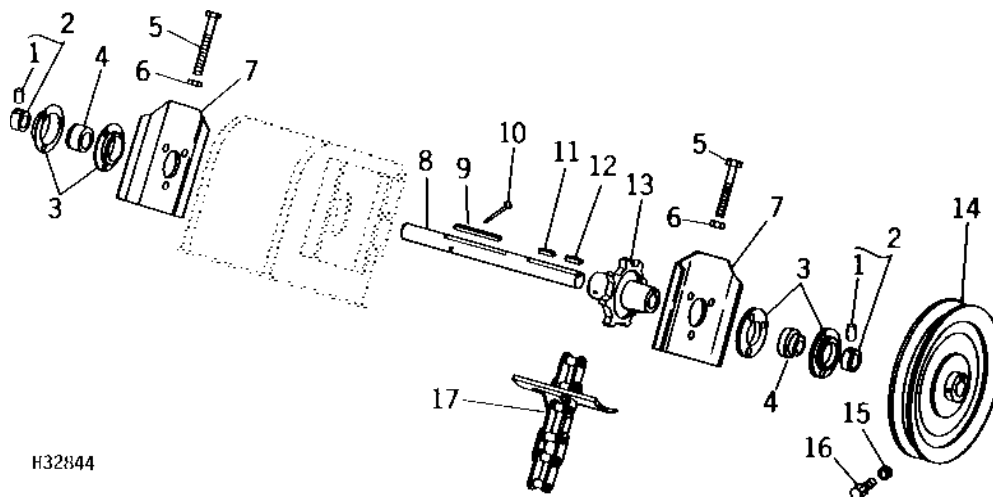
## CLEAN GRAIN ELEVATOR HOUSING



H25304

| KEY | PART NO. | PART NAME  | QTY | SERIAL NO.               | REMARKS |
|-----|----------|------------|-----|--------------------------|---------|
| 1   | 03H1540  | BOLT       | 2   | 5/16" X 3/4"             |         |
|     | 14H785   | NUT        | 2   | 5/16"                    |         |
| 2   | H83105   | STRAP      | 1   |                          |         |
| 3   | 03H2119  | BOLT       | 12  | 1/4" X 5/8"              |         |
|     | 14H786   | NUT        | 12  | 1/4"                     |         |
| 4   | 24H1136  | WASHER     | 14  | 11/32" X 11/16" X 0.065" |         |
| 5   | AH83211  | HOOD       | 1   |                          |         |
| 6   | 19H1813  | CAP SCREW  | 8   | 5/16" X 5/8"             |         |
|     | 14H785   | NUT        | 8   | 5/16"                    |         |
| 7   | AH88986  | ELEVATOR   | 1   |                          |         |
| 8   | 14H812   | NUT        | 4   | 3/8"                     |         |
| 9   | H78450   | BRACE      | 1   | FRONT                    |         |
| 10  | 19H1731  | CAP SCREW  | 2   | 3/8" X 1"                |         |
|     | 14H812   | NUT        | 2   | 3/8"                     |         |
| 11  | H101297  | LEVER      | 1   |                          |         |
| 12  | 11H206   | COTTER PIN | 1   | 3/32" X 3/4"             |         |
| 13  | RV810A   | PIN        | 1   |                          |         |
| 14  | P42406   | DOWEL PIN  | 1   |                          |         |
| 15  | AH12678  | DOOR       | 1   | (SOLID)                  |         |
|     | AH11794  | DOOR       | 1   | (PERFORATED)             |         |
|     | M40699   | NUT        | 2   |                          |         |
| 16  | H35688   | U-BOLT     | 1   |                          |         |
| 17  | AH77038  | PLATE      | 1   |                          |         |
| 18  | H80148   | EYEBOLT    | 1   | REAR                     |         |
| 19  | H80148   | EYEBOLT    | 1   | REAR                     |         |
| 20  | 24H1287  | WASHER     | 6   | 9/32" X 5/8" X 0.065"    |         |

H32844 -UN-01JAN94

**CLEAN GRAIN ELEVATOR CONVEYOR CHAIN, SHAFT, SHEAVE, AND SPROCKETS**


H32844

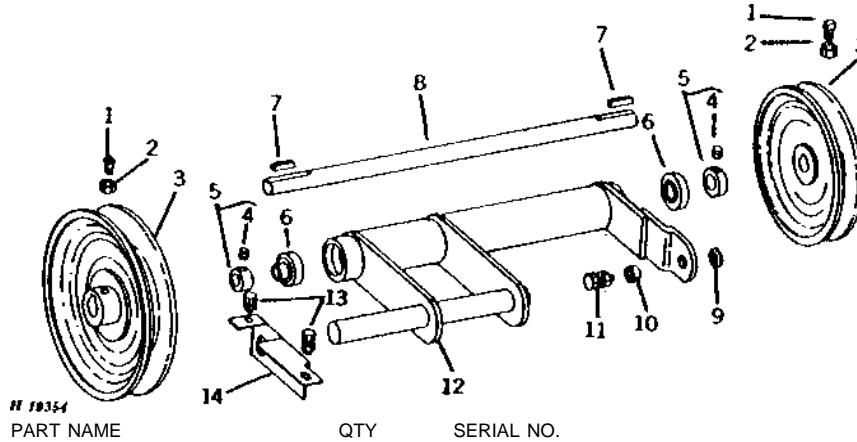
| KEY | PART NO. | PART NAME                | QTY | SERIAL NO. | REMARKS  |
|-----|----------|--------------------------|-----|------------|--|
| 1   | 22H897   | SET SCREW                | 2   |            | 1/4" X 1/4"  |
| 2   | JD8554   | ECCENTRIC LOCKING COLLAR | 2   |            |  |
| 3   | H87472   | PRESSED FLANGED HOUSING  | 4   | -600400    |  |
|     | H103264  | PRESSED FLANGED HOUSING  | 4   | 600401-    |  |
| 4   | JD8665   | BALL BEARING             | 2   |            |  |
| 5   | 19H2462  | CAP SCREW                | 2   |            | 3/8" X 3-1/4"  |
| 6   | 14H732   | NUT                      | 2   |            | 3/8"   |
| 7   | AH80508  | BRACKET                  | 2   |            |  |
| 8   | H80704   | SHAFT                    | 1   |            |  |
| 9   | .....    | KEY                      | 1   |            | 8 MM X 8 MM X 57 MM (5/16" X 5/16" X 2-1/4")<br>(CUT FROM H64375 IN AH64587 KEY STOCK KIT) |
| 10  | 11H244   | COTTER PIN               | 1   |            | 3/16" X 2-1/2"   |
| 11  | .....    | KEY                      | 1   |            | 6 MM X 6 MM X 35 MM (1/4" X 1/4" X 1-3/8")<br>(CUT FROM H64374 IN AH64587 KEY STOCK KIT)   |
| 12  | .....    | KEY                      | 1   |            | 6 MM X 6 MM X 25 MM (1/4" X 1/4" X 1") (CUT<br>FROM H64374 IN AH64587 KEY STOCK KIT)       |
| 13  | H63577   | CHAIN SPROCKET           | 1   |            | 7 TEETH  |
| 14  | AH75987  | PULLEY                   | 1   |            | 299 MM (11-3/4") DIA.  |
| 15  | 14H732   | NUT                      | 2   |            | 3/8"   |
| 16  | 22H853   | SET SCREW                | 2   |            | 3/8" X 7/8"  |
| 17  | AH87745  | LINK CHAIN               | 1   |            | (CA-550 ROLLER CHAIN) (25 PADDLES)   |
|     | AH76775  | LINK CHAIN               | 1   |            | (CA-550 ROLLER CHAIN) (33 BUCKETS)   |
|     | C10232   | LINK                     | 1   |            | ROLLER   |
|     | C10233   | CHAIN LINK               | 1   |            | OFFSET   |
|     | AC11779  | PIN                      | 1   |            | OFFSET LINK  |
|     | C10263   | TRACK CHAIN W/O SHOES    | 1   |            | COUPLER  |
|     | AC14974  | PIN                      | 1   |            | COUPLER LINK, WITH COTTER PIN  |
|     | H86759   | PADDLE                   | 25  |            | RUBBER   |
|     | H63576   | LOADER BUCKET            | 33  |            |  |
|     | H86761   | PADDLE                   | 1   |            | STEEL CLEANING   |
|     | AH87765  | CHAIN LINK               | 50  |            |  |
|     | AH86897  | BOLT                     | 50  |            | (PADDLE) (REPLACES RIVETS)   |
|     | 19H1948  | CAP SCREW                | AR  |            | 1/4" X 3/4", (2 USED, STEEL CLEANING PADDLE;<br>66 USED, BUCKET)                           |
|     | 14H786   | NUT                      | AR  |            | 1/4", (2 USED, STEEL CLEANING PADDLE; 66<br>USED, BUCKET)                                  |
|     | 24H1286  | WASHER                   | 66  |            | 9/32" X 1/2" X 1/16", (BUCKET)   |

# 2115

SEPARATOR

H19354 -UN-01JAN94

## CLEAN GRAIN ELEVATOR DRIVE COUNTERSHAFT



| KEY | PART NO. | PART NAME                | QTY | SERIAL NO.  | REMARKS |
|-----|----------|--------------------------|-----|---|---------|
| 1   | 22H853   | SET SCREW                | 4   | 3/8" X 7/8"   |         |
| 2   | 14H732   | NUT                      | 4   | 3/8"  |         |
| 3   | AH75980  | SHEAVE                   | 2   | 222 MM (8-3/4") DIA.  |         |
| 4   | 22H897   | SET SCREW                | 2   | 1/4" X 1/4"   |         |
| 5   | JD8554   | ECCENTRIC LOCKING COLLAR | 2   |   |         |
| 6   | JD8597   | BALL BEARING             | 2   |   |         |
| 7   | .....    | KEY                      | 2   | 6 MM X 6 MM X 25 MM (1/4" X 1/4" X 1") (CUT FROM H64374 IN AH64587 KEY STOCK KIT) |         |
| 8   | H79067   | JACKSHAFT                | 1   |   |         |
| 9   | 24H1783  | WASHER                   | 1   | 13/32" X 1" X 7/64"   |         |
| 10  | H78919   | SPACER                   | 1   |   |         |
| 11  | 19H1731  | CAP SCREW                | 1   | 3/8" X 1"   |         |
|     | 14H812   | NUT                      | 1   | 3/8"  |         |
| 12  | AH77141  | SUPPORT                  | 1   |   |         |
| 13  | 19H1813  | CAP SCREW                | 2   | 5/16" X 5/8"  |         |
|     | 14H785   | NUT                      | 2   | 5/16"   |         |
| 14  | H79072   | HANGER                   | 1   |   |         |

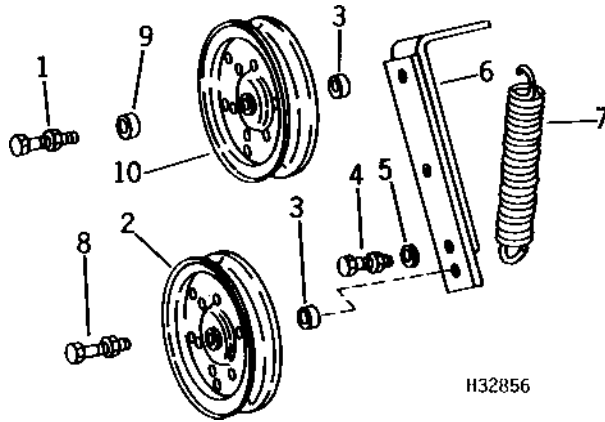
# 2116

SEPARATOR

H32856

-UN-01JAN94

## CLEAN GRAIN ELEVATOR DRIVE TIGHTENER



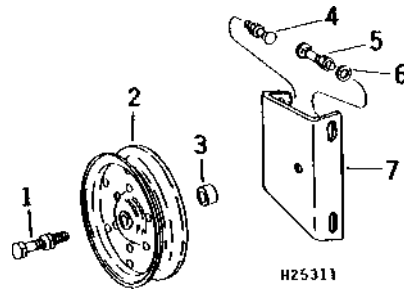
| KEY | PART NO. | PART NAME   | QTY | SERIAL NO.               | REMARKS |
|-----|----------|-------------|-----|--------------------------|---------|
| 1   | 19H1820  | CAP SCREW   | 1   | 1/2" X 3"                |         |
|     | 12H301   | LOCK WASHER | 1   | 1/2"                     |         |
|     | 14H1040  | NUT         | 1   | 1/2"                     |         |
| 2   | AH14097  | SHEAVE      | 1   | 178 MM (7") DIA.         |         |
| 3   | 28H2490  | BUSHING     | 2   | 1/2" X 9/16"             |         |
| 4   | 19H1831  | CAP SCREW   | 1   | 1/2" X 2"                |         |
|     | U16721   | LOCK NUT    | 1   |                          |         |
|     | 24H1341  | WASHER      | 2   | 17/32" X 15/16" X 0.060" |         |
| 6   | AH87949  | ARM         | 1   |                          |         |
| 7   | H82072   | SPRING      | 1   |                          |         |
| 8   | 19H1974  | CAP SCREW   | 1   | 1/2" X 2-3/4"            |         |
|     | 12H301   | LOCK WASHER | 1   | 1/2"                     |         |
|     | 14H1040  | NUT         | 1   | 1/2"                     |         |
| 9   | U40538   | BUSHING     | 1   |                          |         |
| 10  | AH65015  | SHEAVE      | 1   | 133 MM (5-1/4") DIA.     |         |

# 2117

SEPARATOR

H25311 -UN-01JAN94

## CLEAN GRAIN ELEVATOR DRIVE IDLER



| KEY | PART NO. | PART NAME | QTY | SERIAL NO.               | REMARKS |
|-----|----------|-----------|-----|--------------------------|---------|
| 1   | 19H1890  | CAP SCREW | 1   | 5/8" X 2-3/4"            |         |
|     | M2023T   | LOCK NUT  | 1   |                          |         |
| 2   | AH85276  | PULLEY    | 1   | 229 MM (9") DIA.         |         |
| 3   | 28H1016  | SPACER    | 1   | 3/4" X 1"                |         |
| 4   | 03H1765  | BOLT      | 2   | 3/8" X 3/4"              |         |
|     | 14H812   | NUT       | 2   | 3/8"                     |         |
| 5   | 03H1500  | BOLT      | 2   | 3/8" X 1"                |         |
|     | 14H812   | NUT       | 2   | 3/8"                     |         |
| 6   | 24H1305  | WASHER    | 2   | 13/32" X 13/16" X 0.065" |         |
| 7   | H87073   | CHANNEL   | 1   |                          |         |

---

MEMORANDA



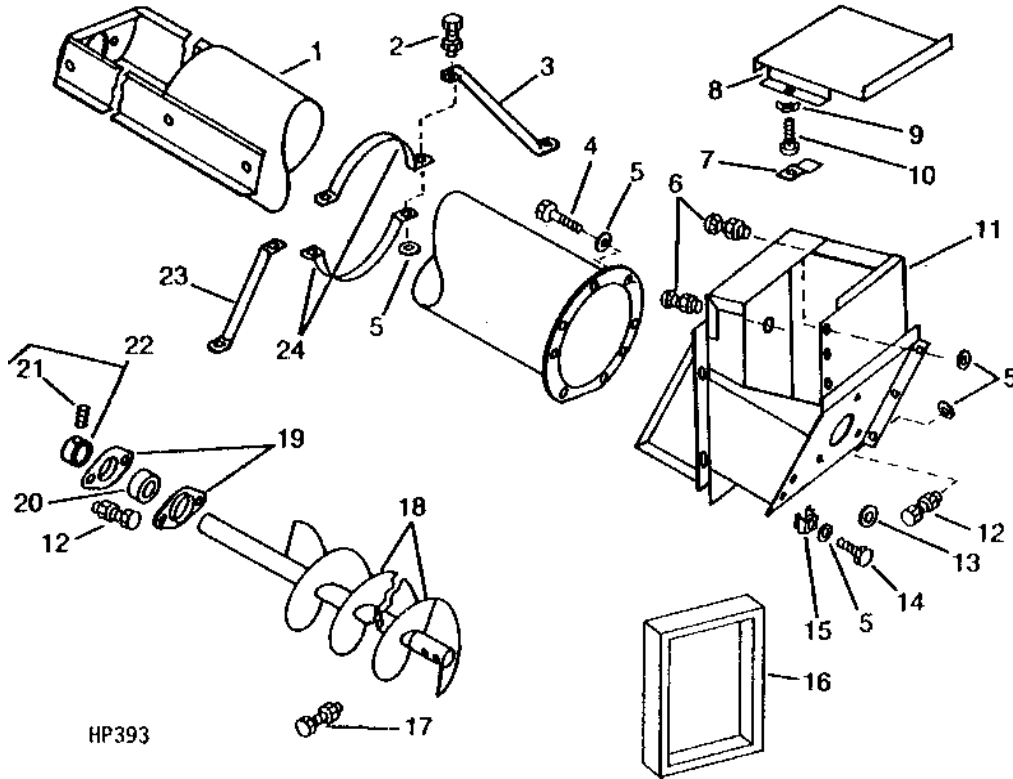
# 2118

SEPARATOR

HP393

-UN-01JAN94

## LOADING AUGER AND HOUSING



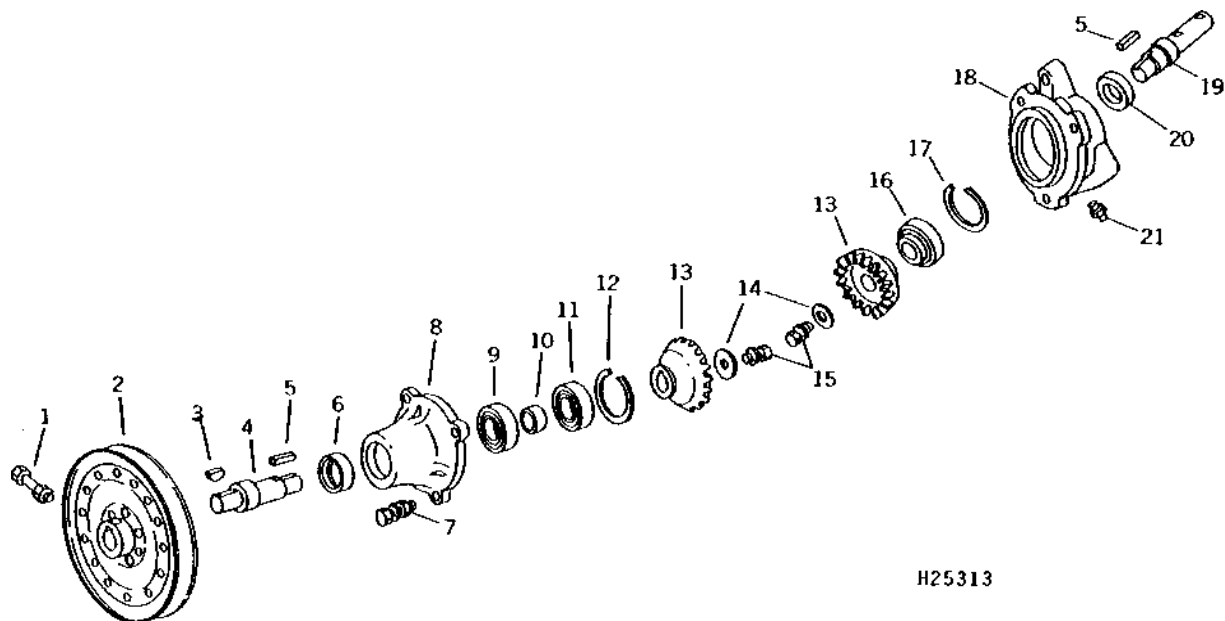
| KEY | PART NO. | PART NAME                | QTY | SERIAL NO.               | REMARKS           |
|-----|----------|--------------------------|-----|--------------------------|-------------------|
| 1   | AH88983  | HOUSING                  | 1   |                          |                   |
| 2   | 19H1905  | CAP SCREW                | 4   | 5/16" X 1"               |                   |
|     | 14H785   | NUT                      | 4   | 5/16"                    |                   |
| 3   | H97783   | PIPE                     | 1   |                          | REAR BRACE        |
| 4   | H76139   | SCREW                    | 8   |                          | SELF-TAPPING      |
| 5   | 24H1136  | WASHER                   | 26  | 11/32" X 11/16" X 0.065" |                   |
| 6   | 03H2119  | BOLT                     | 6   | 1/4" X 5/8"              |                   |
|     | 14H786   | NUT                      | 6   | 1/4"                     |                   |
| 7   | P47159   | CLAMP                    | 1   |                          |                   |
| 8   | H87649   | DOOR                     | 1   |                          |                   |
| 9   | 14H819   | WING NUT                 | 1   | 5/16"                    |                   |
| 10  | 03H1540  | BOLT                     | 1   | 5/16" X 3/4"             |                   |
| 11  | AH88990  | SPOUT                    | 1   |                          |                   |
| 12  | 19H1900  | CAP SCREW                | 5   | 5/16" X 3/4"             |                   |
|     | 14H785   | NUT                      | 5   | 5/16"                    |                   |
| 13  | 19H2284  | CAP SCREW                | 3   | 3/8" X 7/8"              |                   |
|     | 12H304   | LOCK WASHER              | 3   | 3/8"                     |                   |
| 14  | 19H1905  | CAP SCREW                | 8   | 5/16" X 1"               |                   |
| 15  | M41139   | NUT                      | 8   |                          |                   |
| 16  | .....    | SEAL                     | 1   |                          | (CUT FROM H81330) |
| 17  | 19H1875  | CAP SCREW                | 2   | 5/16" X 1-3/4"           |                   |
|     | 14H785   | NUT                      | 2   | 5/16"                    |                   |
| 18  | AH90623  | AUGER                    | 1   |                          |                   |
| 19  | P44439   | PRESSED FLANGED HOUSING  | 2   |                          |                   |
| 20  | JD9273   | BALL BEARING             | 1   |                          |                   |
| 21  | 22H897   | SET SCREW                | 1   | 1/4" X 1/4"              |                   |
| 22  | JD8554   | ECCENTRIC LOCKING COLLAR | 1   |                          |                   |
| 23  | H97782   | PIPE                     | 1   |                          | FRONT BRACE       |
| 24  | H85979   | SUPPORT                  | 2   |                          |                   |

# 2119

SEPARATOR

H25313 -UN-01JAN94

## GEAR CASE LOADING AUGER



H25313

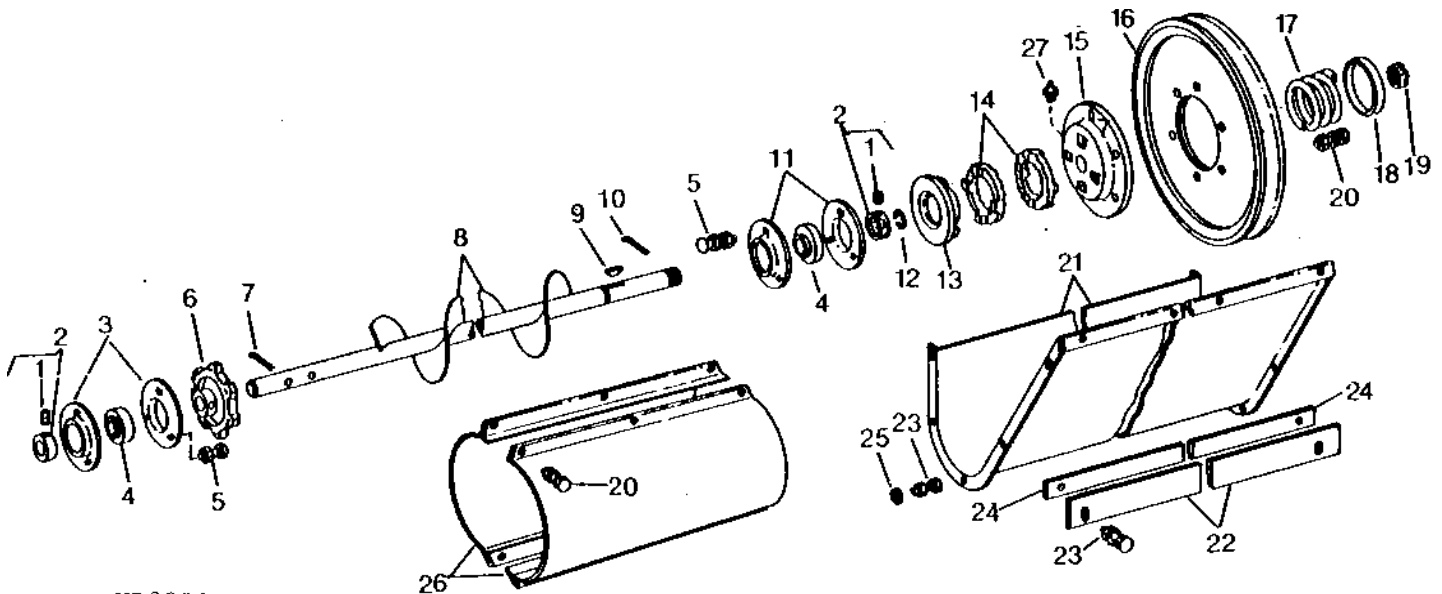
| KEY | PART NO. | PART NAME           | QTY | SERIAL NO.  | REMARKS |
|-----|----------|---------------------|-----|---|---------|
| 1   | 22H853   | SET SCREW           | 2   | 3/8" X 7/8"   |         |
|     | 14H732   | NUT                 | 2   | 3/8"  |         |
| 2   | AH75987  | PULLEY              | 1   | 299 MM (11-3/4") DIA.   |         |
| 3   | 26H22    | SHAFT KEY           | 1   | 1/4" X 1"   |         |
| 4   | H94703   | SHAFT               | 1   | INPUT   |         |
| 5   | .....    | KEY                 | 2   | 6 MM X 6 MM X 19 MM (1/4" X 1/4" X 3/4") (CUT FROM H64374 IN AH64587 KEY STOCK KIT) |         |
| 6   | AH21815  | SEAL                | 1   |   |         |
| 7   | 19H1801  | CAP SCREW           | 3   | 3/8" X 2"   |         |
|     | 12H304   | LOCK WASHER         | 3   | 3/8"  |         |
|     | 14H812   | NUT                 | 3   | 3/8"  |         |
| 8   | H86914   | HOUSING             | 1   | OUTER   |         |
| 9   | JD7681   | BALL BEARING        | 1   |   |         |
| 10  | J17823   | BUSHING             | 1   |   |         |
| 11  | JD7689   | BALL BEARING        | 1   |   |         |
| 12  | P46874   | SNAP RING           | 1   |   |         |
| 13  | H86912   | GEAR                | 2   | 17 TEETH  |         |
| 14  | 24H1730  | WASHER              | 2   | 13/32" X 1-1/2" X 0.120"  |         |
| 15  | 19H2676  | CAP SCREW           | 2   | 3/8" X 1"   |         |
|     | 12H304   | LOCK WASHER         | 2   | 3/8"  |         |
| 16  | AH88893  | BALL BEARING        | 1   |   |         |
| 17  | P42232   | SNAP RING           | 1   |   |         |
| 18  | H86913   | HOUSING             | 1   | INNER   |         |
| 19  | H94702   | SHAFT               | 1   | OUTPUT  |         |
| 20  | M2848DN  | WASHER              | 1   |   |         |
| 21  | JD7759   | LUBRICATION FITTING | 1   | STRAIGHT, 1/8"  |         |
| ..  | AH96760  | GEAR CASE           | 1   | (DEALER RECONDITIONED)  |         |

# 2120

SEPARATOR

HP2331 -UN-01JAN94

## LOWER TAILINGS AUGER AND HOUSING

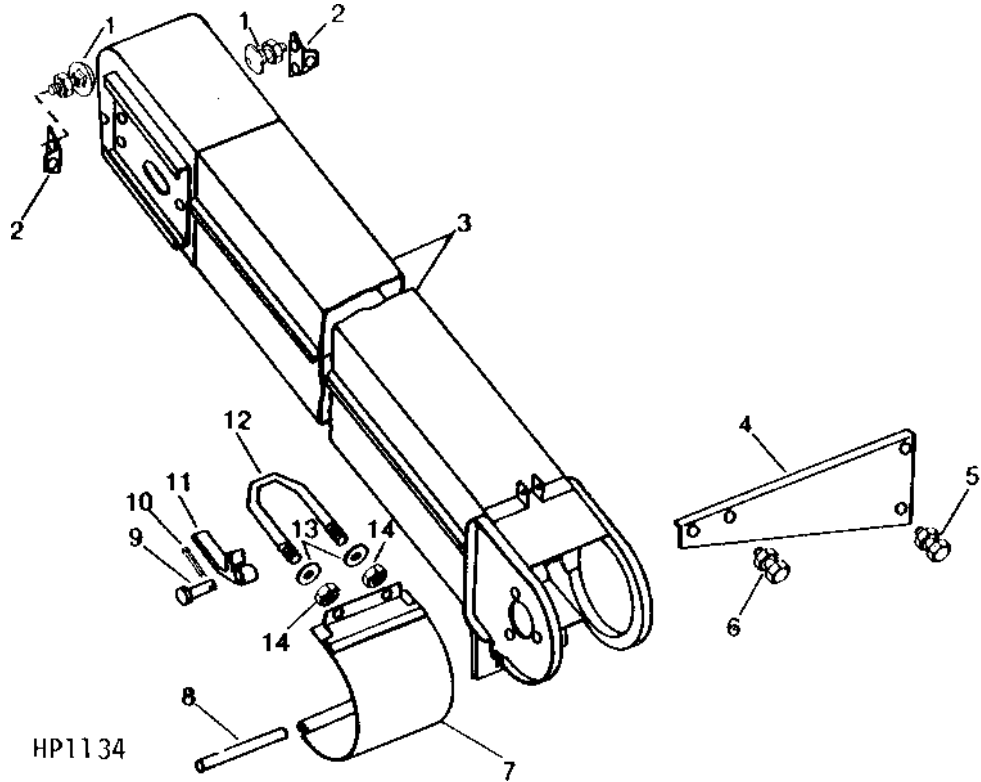


HP2331

| KEY | PART NO. | PART NAME                | QTY | SERIAL NO. | REMARKS                  |
|-----|----------|--------------------------|-----|------------|--------------------------|
| 1   | 22H897   | SET SCREW                | 2   |            | 1/4" X 1/4"              |
| 2   | JD8554   | ECCENTRIC LOCKING COLLAR | 2   |            |                          |
| 3   | H87472   | PRESSED FLANGED HOUSING  | 2   | -600400    |                          |
|     | H103264  | PRESSED FLANGED HOUSING  | 2   | 600401-    |                          |
| 4   | JD8665   | BALL BEARING             | 2   |            |                          |
| 5   | 03H1540  | BOLT                     | 6   |            | 5/16" X 3/4"             |
| 6   | H63578   | CHAIN SPROCKET           | 1   |            | 7 TEETH                  |
| 7   | 11H249   | COTTER PIN               | 1   |            | 1/4" X 2"                |
| 8   | AH76130  | AUGER                    | 1   |            |                          |
| 9   | 26H14    | SHAFT KEY                | 1   |            | 3/16" X 3/4"             |
| 10  | 11H215   | COTTER PIN               | 1   |            | 1/4" X 1-1/2"            |
| 11  | H87472   | PRESSED FLANGED HOUSING  | 2   |            |                          |
| 12  | H80714   | SNAP RING                | 1   |            |                          |
| 13  | H87019   | DRIVER                   | 1   |            |                          |
| 14  | Z699H    | SLIP CLUTCH              | 2   |            |                          |
| 15  | H83087   | HUB                      | 1   |            |                          |
| 16  | AH75988  | SHEAVE                   | 1   |            | 299 MM (11-3/4") DIA.    |
| 17  | J21022   | SPRING                   | 1   |            |                          |
| 18  | H97542   | CAP                      | 1   |            |                          |
| 19  | 14H872   | NUT                      | 1   |            | 1"                       |
| 20  | 19H1905  | CAP SCREW                | 12  |            | 5/16" X 1"               |
|     | 14H785   | NUT                      | 12  |            | 5/16"                    |
| 21  | H76006   | HOUSING                  | 1   |            |                          |
| 22  | H76008   | SEAL                     | 1   |            |                          |
| 23  | 19H1813  | CAP SCREW                | 18  |            | 5/16" X 5/8"             |
|     | 14H785   | NUT                      | 18  |            | 5/16"                    |
| 24  | H76010   | STRIP                    | 1   |            |                          |
| 25  | 24H1136  | WASHER                   | 6   |            | 11/32" X 11/16" X 0.065" |
| 26  | H75975   | COVER                    | 2   |            | (SOLID)                  |
|     | H78296   | COVER                    | 2   |            | (PERFORATED)             |
| 27  | JD7797   | LUBRICATION FITTING      | 1   |            | STRAIGHT, 1/4"           |

HP1134 -UN-01JAN94

## TAILINGS ELEVATOR HOUSING

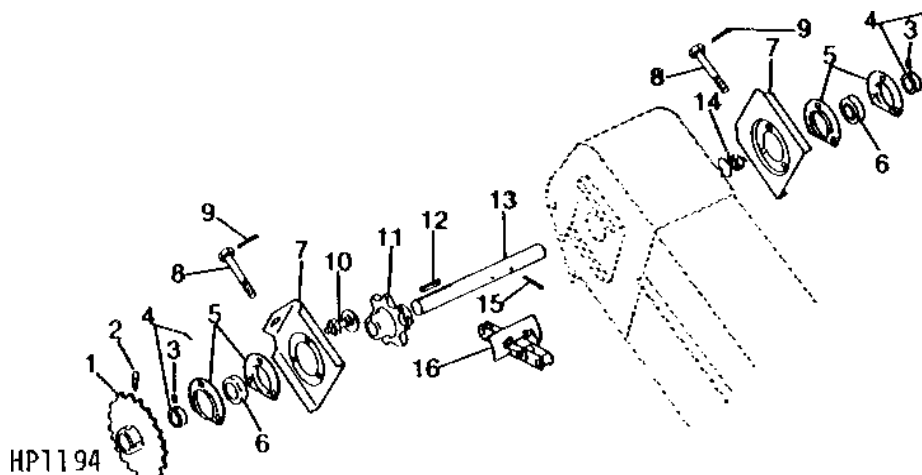


HP1134

| KEY | PART NO. | PART NAME  | QTY | SERIAL NO. | REMARKS                  |
|-----|----------|------------|-----|------------|--------------------------|
| 1   | 03H1540  | BOLT       | 4   |            | 5/16" X 3/4"             |
|     | 14H785   | NUT        | 4   |            | 5/16"                    |
| 2   | H75977   | BRACKET    | 2   |            |                          |
| 3   | AH93797  | ELEVATOR   | 1   |            |                          |
| 4   | H78290   | SUPPORT    | 1   |            |                          |
| 5   | 19H1901  | CAP SCREW  | 2   |            | 5/16" X 2"               |
|     | 14H785   | NUT        | 2   |            | 5/16"                    |
| 6   | 19H1900  | CAP SCREW  | 2   |            | 5/16" X 3/4"             |
|     | 14H785   | NUT        | 2   |            | 5/16"                    |
| 7   | AH11794  | DOOR       | 1   |            | (PERFORATED)             |
|     | AH12678  | DOOR       | 1   |            | (SOLID)                  |
| 8   | P42406   | DOWEL PIN  | 1   |            |                          |
| 9   | RV810A   | PIN        | 1   |            |                          |
| 10  | 11H206   | COTTER PIN | 1   |            | 3/32" X 3/4"             |
| 11  | H101297  | LEVER      | 1   |            |                          |
| 12  | H35688   | U-BOLT     | 1   |            |                          |
| 13  | 24H1136  | WASHER     | 2   |            | 11/32" X 11/16" X 0.065" |
| 14  | M40699   | NUT        | 2   |            |                          |

## TAILINGS ELEVATOR CONVEYOR CHAIN, SPROCKETS, AND BEARINGS

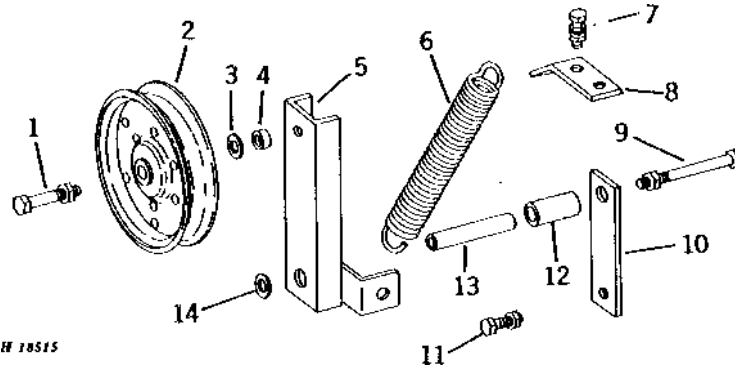
HP1194 -UN-01JAN94



| KEY | PART NO. | PART NAME                | QTY | SERIAL NO. | REMARKS  |
|-----|----------|--------------------------|-----|------------|--|
| 1   | H78297   | CHAIN SPROCKET           | 1   |            | 14 TEETH   |
| 2   | 22H836   | SET SCREW                | 1   |            | 3/8" X 1"  |
| 3   | 22H897   | SET SCREW                | 2   |            | 1/4" X 1/4"  |
| 4   | JD8554   | ECCENTRIC LOCKING COLLAR | 2   |            |  |
| 5   | H87472   | PRESSED FLANGED HOUSING  | 4   | -600400    |  |
|     | H103264  | PRESSED FLANGED HOUSING  | 4   | 600401-    |  |
| 6   | JD8665   | BALL BEARING             | 2   |            |  |
| 7   | AH80508  | BRACKET                  | 2   |            |  |
| 8   | H78294   | BOLT                     | 2   |            |  |
| 9   | J16931   | SPRING LOCKING PIN       | 2   |            |  |
| 10  | 03H1709  | BOLT                     | 3   |            | 5/16" X 1"   |
|     | 14H785   | NUT                      | 3   |            | 5/16"  |
| 11  | H63578   | CHAIN SPROCKET           | 1   |            | 7 TEETH  |
| 12  | .....    | KEY                      | 1   |            | 6 MM X 6 MM X 38 MM (1/4" X 1/4" X 1-1/2")<br>(CUT FROM H64374 IN AH64587 KEY STOCK KIT) |
| 13  | H75978   | SHAFT                    | 1   |            |  |
| 14  | 03H1540  | BOLT                     | 3   |            | 5/16" X 3/4"   |
|     | 14H785   | NUT                      | 3   |            | 5/16"  |
| 15  | 11H249   | COTTER PIN               | 2   |            | 1/4" X 2"  |
| 16  | AH87749  | LINK CHAIN               | 1   |            | (CA-550 ROLLER CHAIN) (21 PADDLES)   |
|     | AH76661  | LINK CHAIN               | 1   |            | (CA-550 ROLLER CHAIN) (42 BUCKETS)   |
|     | AH87765  | CHAIN LINK               | 21  |            |  |
|     | AC11779  | PIN                      | 1   |            | OFFSET LINK, WITH COTTER PIN   |
|     | C10232   | LINK                     | 1   |            | ROLLER   |
|     | C10233   | CHAIN LINK               | 1   |            | OFFSET   |
|     | AC14974  | PIN                      | 1   |            | COUPLER LINK, WITH COTTER PIN  |
|     | C10263   | TRACK CHAIN W/O SHOES    | 1   |            | COUPLER  |
|     | H86759   | PADDLE                   | 21  |            | RUBBER   |
|     | H63576   | LOADER BUCKET            | 42  |            |  |
|     | H86761   | PADDLE                   | 1   |            | STEEL CLEANING   |
|     | AH86897  | BOLT                     | 42  |            | (PADDLE)   |
|     | 19H1948  | CAP SCREW                | AR  |            | 1/4" X 3/4", (2 USED, STEEL CLEANING PADDLE;<br>84 USED, BUCKET)                         |
|     | 14H786   | NUT                      | AR  |            | 1/4", (2 USED, STEEL CLEANING PADDLE; 84<br>USED, BUCKET)                                |
|     | 24H1286  | WASHER                   | 84  |            | 9/32" X 1/2" X 1/16", (BUCKET)   |

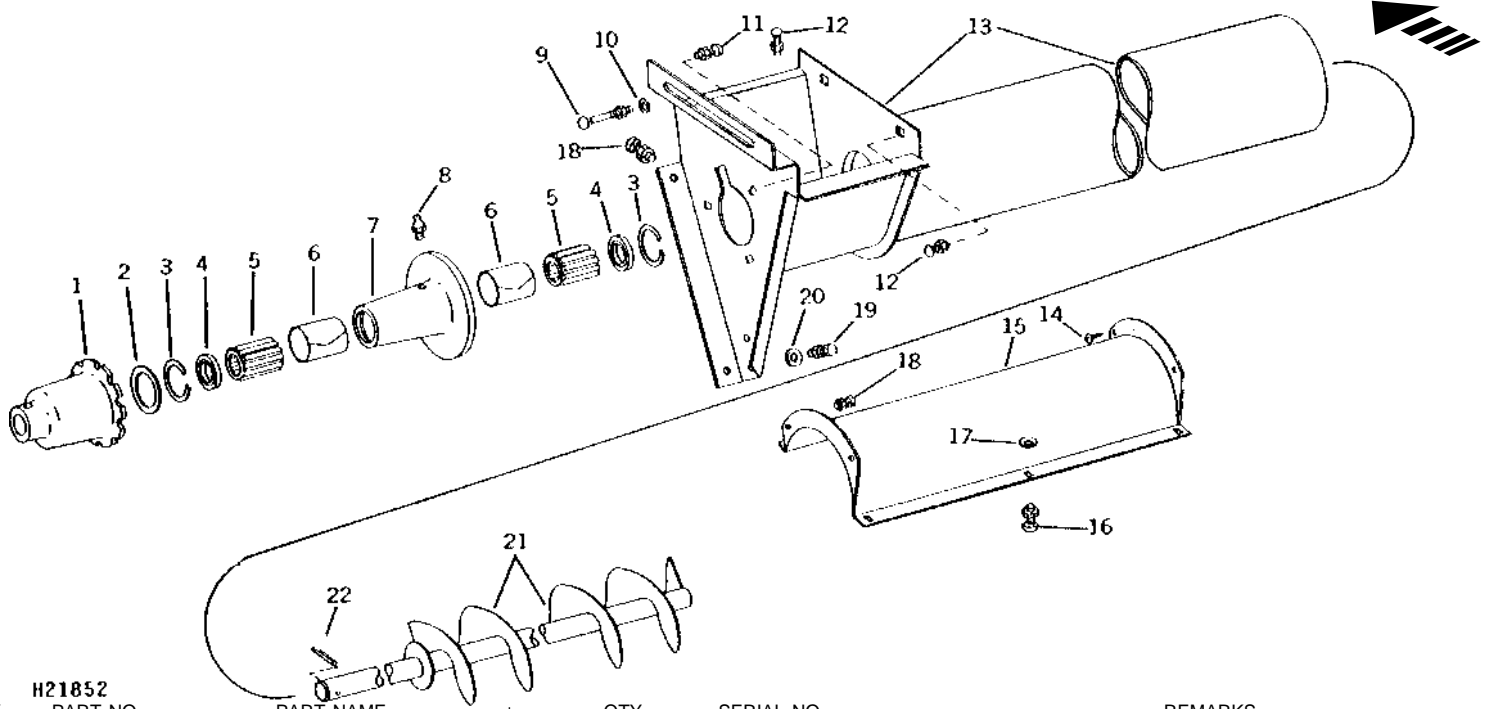
H18515 -UN-01JAN94

LOWER TAILINGS AUGER DRIVE TIGHTENER



| KEY | PART NO. | PART NAME   | QTY | SERIAL NO.               | REMARKS |
|-----|----------|-------------|-----|--------------------------|---------|
| 1   | 19H1930  | CAP SCREW   | 1   | 1/2" X 2-1/2"            |         |
|     | 14H1040  | NUT         | 1   | 1/2"                     |         |
|     | 12H301   | LOCK WASHER | 1   | 1/2"                     |         |
| 2   | AH14097  | SHEAVE      | 1   | 178 MM (7") DIA.         |         |
| 3   | 24H1625  | WASHER      | AR  | 17/32" X 1" X 0.120"     |         |
| 4   | 28H1597  | WASHER      | 1   | 0.546" X 0.840" X 3/8"   |         |
| 5   | AH77788  | ARM         | 1   |                          |         |
| 6   | H82071   | SPRING      | 1   |                          |         |
| 7   | 19H1900  | CAP SCREW   | 1   | 5/16" X 3/4"             |         |
|     | 14H785   | NUT         | 1   | 5/16"                    |         |
| 8   | H79918   | BRACKET     | 1   |                          |         |
| 9   | 19H2007  | CAP SCREW   | 1   | 3/8" X 4-1/2"            |         |
|     | 14H812   | NUT         | 1   | 3/8"                     |         |
| 10  | H79921   | SUPPORT     | 1   |                          |         |
| 11  | 19H1732  | CAP SCREW   | 1   | 3/8" X 1-1/4"            |         |
|     | 14H812   | NUT         | 1   | 3/8"                     |         |
|     | 24H1305  | WASHER      | 1   | 13/32" X 13/16" X 0.065" |         |
| 12  | 28H2602  | BUSHING     | 1   | 3/4" X 1-7/8"            |         |
| 13  | H79922   | BUSHING     | 1   | -450000 (SUB H93462)     |         |
| 14  | 24H1305  | WASHER      | 1   | 13/32" X 13/16" X 0.065" |         |

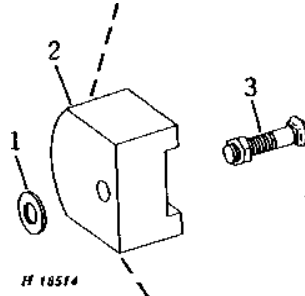
H21852 -UN-01JAN94

**UPPER TAILINGS AUGER AND HOUSING**


| KEY | H21852<br>PART NO. | PART NAME           | QTY | SERIAL NO.               | REMARKS |
|-----|--------------------|---------------------|-----|--------------------------|---------|
| 1   | PK1613H            | CHAIN SPROCKET      | 1   | 12 TEETH                 |         |
| 2   | 24H1431            | WASHER              | 1   | 29/32" X 2" X 0.060"     |         |
| 3   | P42289             | SNAP RING           | 2   |                          |         |
| 4   | AP19351            | SEAL                | 2   |                          |         |
| 5   | JD7900             | NEEDLE BEARING      | 2   |                          |         |
| 6   | JD7451             | BEARING RACE        | 2   |                          |         |
| 7   | PK1607H            | BOX                 | 1   |                          |         |
| 8   | JD7759             | LUBRICATION FITTING | 1   | STRAIGHT, 1/8"           |         |
| 9   | 03H1833            | BOLT                | 1   | 3/8" X 1-3/4"            |         |
|     | 14H812             | NUT                 | 1   | 3/8"                     |         |
| 10  | 24H1287            | WASHER              | 1   | 9/32" X 5/8" X 0.065"    |         |
| 11  | 03H1709            | BOLT                | 3   | 5/16" X 1"               |         |
|     | 14H785             | NUT                 | 3   | 5/16"                    |         |
| 12  | 03H1540            | BOLT                | 4   | 5/16" X 3/4"             |         |
|     | 14H785             | NUT                 | 4   | 5/16"                    |         |
| 13  | AH84400            | SPOUT               | 1   |                          |         |
| 14  | H65108             | SCREW               | 2   | SELF-TAPPING             |         |
| 15  | H82618             | COVER               | 1   |                          |         |
| 16  | 03H1774            | BOLT                | 3   | 5/16" X 5/8"             |         |
|     | 14H785             | NUT                 | 3   | 5/16"                    |         |
| 17  | 24H1136            | WASHER              | 3   | 11/32" X 11/16" X 0.065" |         |
| 18  | 19H1900            | CAP SCREW           | 3   | 5/16" X 3/4"             |         |
|     | 14H785             | NUT                 | 3   | 5/16"                    |         |
| 19  | 19H1849            | CAP SCREW           | 1   | 5/16" X 1-1/4"           |         |
|     | 14H785             | NUT                 | 1   | 5/16"                    |         |
| 20  | 24H1305            | WASHER              | 2   | 13/32" X 13/16" X 0.065" |         |
| 21  | AH76573            | AUGER               | 1   |                          |         |
| 22  | 34H331             | SPRING PIN          | 1   | 5/16" X 1-1/2"           |         |

H18514 -UN-01JAN94

UPPER TAILINGS AUGER DRIVE TIGHTENER



| KEY | PART NO. | PART NAME | QTY | SERIAL NO. | REMARKS                  |
|-----|----------|-----------|-----|------------|--------------------------|
| 1   | 24H1305  | WASHER    | 1   |            |                          |
| 2   | P47883   | TIGHTENER | 1   |            | 13/32" X 13/16" X 0.065" |
| 3   | 03H1833  | BOLT      | 1   |            | 3/8" X 1-3/4"            |
|     | 14H812   | NUT       | 1   |            | 3/8"                     |

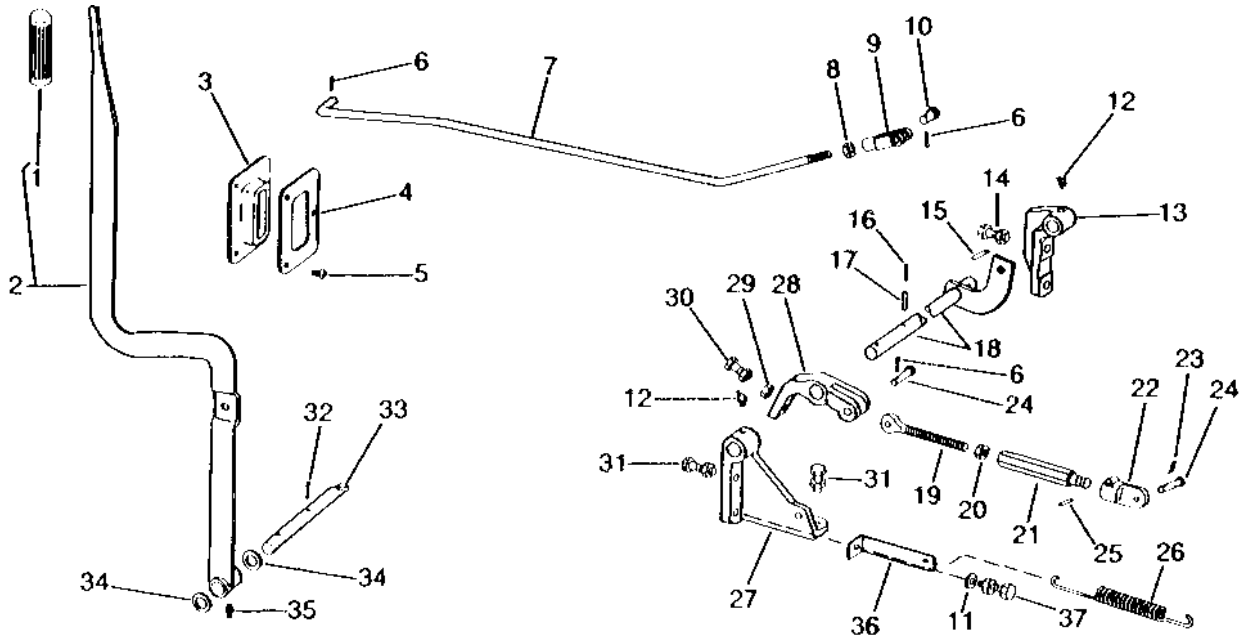


# 2J1

SEPARATOR

## SEPARATOR DRIVE CONTROLS

HP1551 -UN-01JAN94



HP1551

| KEY | PART NO.  | PART NAME           | QTY | SERIAL NO. | REMARKS                  |
|-----|-----------|---------------------|-----|------------|--------------------------|
| 1   | H83059    | GRIP                | 1   | -550045    |                          |
|     | H83058    | GRIP                | 1   | 550046-    |                          |
| 2   | AH97894   | LEVER               | 1   | -550045    |                          |
|     | AH111435  | LEVER               | 1   | 550046-    | (SUB AH1113135)          |
|     | AH1113135 | LEVER               | 1   |            |                          |
| 3   | H83590    | SEAL                | 1   |            |                          |
| 4   | H99266    | RETAINER            | 1   |            |                          |
| 5   | H89266    | SCREW               | 3   |            | SELF-TAPPING             |
| 6   | 11H237    | COTTER PIN          | 3   |            | 1/8" X 2"                |
| 7   | H84662    | LINK                | 1   |            |                          |
| 8   | 14H856    | NUT                 | 1   |            | 1/2"                     |
| 9   | 1C3621H   | YOKE                | 1   | -550000    |                          |
|     | T21158    | YOKE                | 1   | 550001-    |                          |
| 10  | H24979    | PIN                 | 1   |            |                          |
| 11  | 24H1305   | WASHER              | 1   |            | 13/32" X 13/16" X 0.065" |
| 12  | JD7788    | LUBRICATION FITTING | 2   |            | 45°                      |
| 13  | H80758    | BEARING             | 1   |            | R.H.                     |
| 14  | 19H1800   | CAP SCREW           | 4   |            | 3/8" X 1-1/2"            |
|     | 14H812    | NUT                 | 4   |            | 3/8"                     |
| 15  | 34H270    | SPRING PIN          | 1   |            | 5/32" X 1-1/2"           |
| 16  | 34H303    | SPRING PIN          | 1   |            | 7/32" X 1-3/4"           |
| 17  | 34H353    | SPRING PIN          | 1   |            | 3/8" X 1-3/4"            |
| 18  | AH77041   | JACKSHAFT           | 1   |            |                          |
| 19  | H80295    | EYEBOLT             | 1   |            | R.H. THREAD              |
| 20  | 14H821    | NUT                 | 1   |            | 5/8"                     |
| 21  | AH78543   | NUT                 | 1   |            |                          |
| 22  | H80296    | LINK                | 1   |            |                          |
| 23  | J16931    | SPRING LOCKING PIN  | 1   |            |                          |
| 24  | C1628E    | PIN                 | 2   |            |                          |
| 25  | 34H313    | SPRING PIN          | 1   |            | 1/4" X 1-1/8"            |
| 26  | H77387    | SPRING              | 1   |            |                          |
| 27  | H80757    | BEARING             | 1   |            | L.H.                     |
| 28  | H78865    | LEVER               | 1   |            |                          |
| 29  | 14H812    | NUT                 | 1   |            | 3/8"                     |
| 30  | 19H2791   | CAP SCREW           | 1   |            | 3/8" X 1-3/4"            |
| 31  | 19H1732   | CAP SCREW           | 4   |            | 3/8" X 1-1/4"            |
|     | 14H812    | NUT                 | 4   |            | 3/8"                     |
| 32  | 11H218    | COTTER PIN          | 3   |            | 3/16" X 1-1/2"           |
| 33  | H78869    | SHAFT               | 1   |            |                          |
| 34  | 24H1274   | WASHER              | 2   |            | 49/64" X 1-1/4" X 0.048" |
| 35  | JD7797    | LUBRICATION FITTING | 1   |            | STRAIGHT, 1/4"           |
| 36  | H98424    | BRACKET             | 1   |            |                          |
| 37  | 19H3034   | CAP SCREW           | 1   |            | 3/8" X 3"                |
|     | 14H812    | NUT                 | 1   |            | 3/8"                     |

---

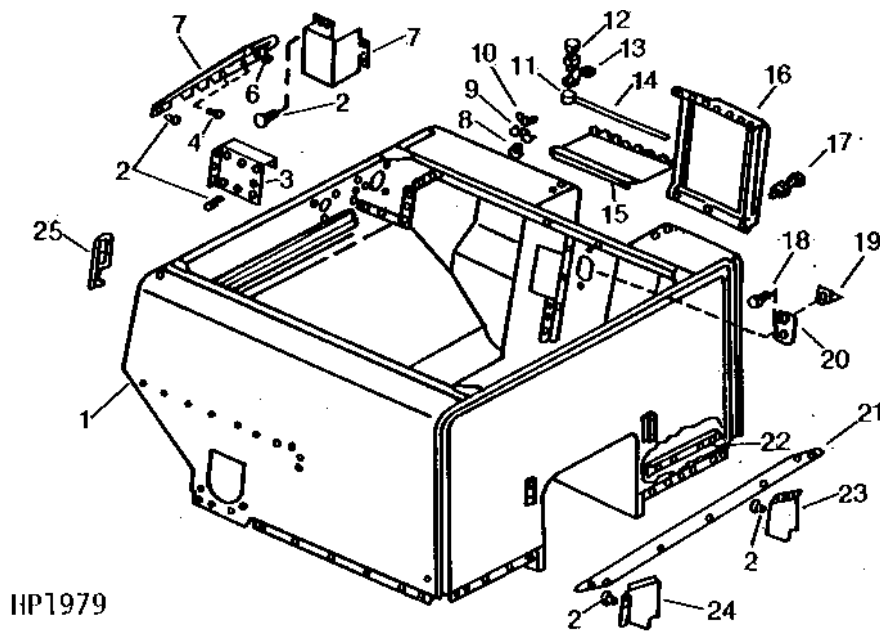
MEMORANDA

# 2J3

GRAIN TANK AND UNLOADING AUGER

HP1979 -UN-01JAN94

## GRAIN TANK



| KEY | PART NO. | PART NAME          | QTY | SERIAL NO.            | REMARKS      |
|-----|----------|--------------------|-----|-----------------------|--------------|
| 1   | AH101605 | TANK               | 1   |                       |              |
| 2   | H65108   | SCREW              | 26  |                       |              |
| 3   | H86603   | DOOR               | 1   | -450000               |              |
| 4   | N71292   | SELF-LOCKING SCREW | 2   |                       |              |
| 5   | H85396   | EXTENSION          | 1   |                       |              |
| 6   | 19H2020  | CAP SCREW          | 2   | 5/16" X 1/2"          |              |
|     | 14H785   | NUT                | 2   | 5/16"                 |              |
| 7   | H102246  | SHIELD             | 1   |                       |              |
| 8   | 03H1544  | BOLT               | 2   | 5/16" X 1-1/4"        |              |
| 9   | P47159   | CLAMP              | 2   |                       |              |
| 10  | 14H819   | WING NUT           | 1   | 5/16"                 |              |
| 11  | 24H1287  | WASHER             | 2   | 9/32" X 5/8" X 0.065" |              |
| 12  | 21H1027  | SCREW              | 4   | 1/4" X 3/4"           |              |
|     | 14H786   | NUT                | 4   | 1/4"                  |              |
| 13  | H76084   | CLAMP              | 2   |                       |              |
| 14  | H77454   | PIN                | 1   |                       |              |
| 15  | H84884   | PANEL              | 1   |                       |              |
| 16  | H86864   | PANEL              | 1   |                       |              |
| 17  | N71292   | SELF-LOCKING SCREW | 3   |                       |              |
|     | N10213   | LOCK NUT           | 1   |                       |              |
|     | 19H1227  | CAP SCREW          | 2   | 1/4" X 1/2"           |              |
| 18  | P41706   | NUT                | 2   |                       |              |
| 19  | H25772   | DOOR               | 1   | -550000               | (SUB H89569) |
|     | H89569   | DOOR               | 1   |                       |              |
| 21  | H77416   | DOOR               | 1   |                       |              |
| 22  | H77417   | ANGLE              | 1   |                       |              |
| 23  | H78838   | COVER              | 1   |                       |              |
| 24  | H78839   | COVER              | 1   |                       |              |
| 25  | AH103790 | SUPPORT            | 1   |                       |              |

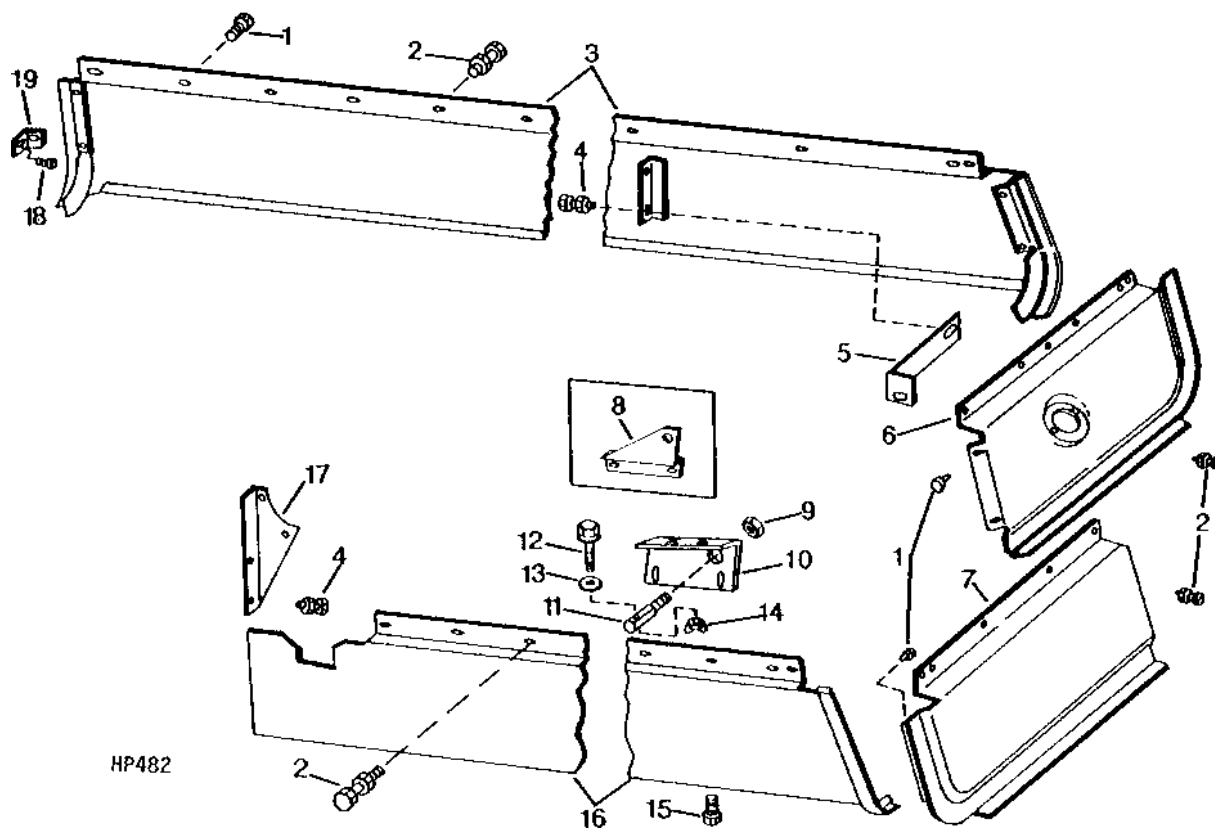
# 2J4

## GRAIN TANK AND UNLOADING AUGER

HP482

-UN-01JAN94

### GRAIN TANK SKIRTS



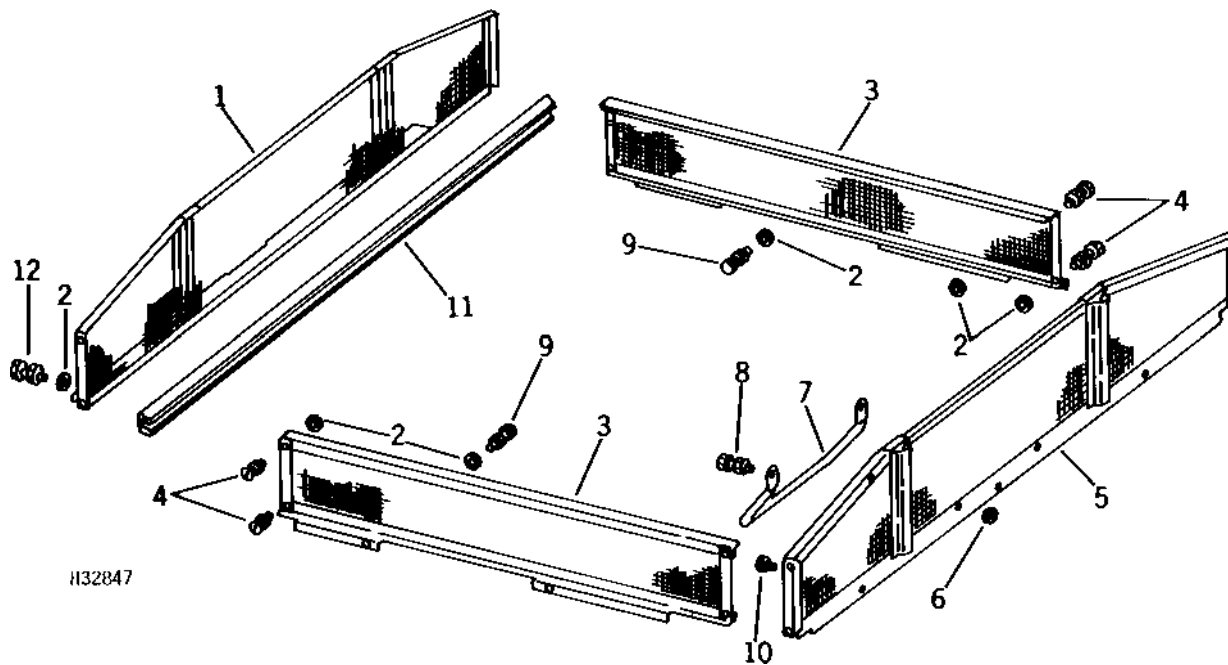
| KEY | PART NO. | PART NAME          | QTY | SERIAL NO. | REMARKS                                  |
|-----|----------|--------------------|-----|------------|--|
| 1   | H65108   | SCREW              | 8   |            | SELF-TAPPING                             |
| 2   | N71292   | SELF-LOCKING SCREW | 23  |            |  |
|     | N10213   | LOCK NUT           | 23  |            |  |
| 3   | AH87718  | PANEL              | 1   |            | R.H.                                     |
| 4   | 19H1900  | CAP SCREW          | 4   |            | 5/16" X 3/4"                             |
|     | 14H785   | NUT                | 4   |            | 5/16"                                    |
| 5   | H87647   | BRACE              | 1   |            | R.H.                                     |
| 6   | AH76542  | SHIELD             | 1   |            | R.H., REAR                               |
| 7   | AH76543  | PANEL              | 1   |            | L.H., REAR                               |
| 8   | H103444  | SUPPORT            | 1   | -400987    | (SUB AH107325, H108623, H108624, 14H794) |
| 9   | 14H794   | NUT                | 1   |            | 3/4"                                     |
| 10  | AH107325 | BRACKET            | 1   | 400989-    |  |
| 11  | H108623  | STUD               | 1   |            |  |
| 12  | 19H1912  | CAP SCREW          | 1   |            | 3/8" X 3-1/2"                            |
| 13  | 24H1305  | WASHER             | 2   |            | 13/32" X 13/16" X 0.065"                 |
| 14  | 14H827   | WING NUT           | 1   |            | 3/8"                                     |
| 15  | N10212   | SELF-LOCKING SCREW | 2   |            |  |
| 16  | AH101639 | SHEET              | 1   |            | L.H.                                     |
| 17  | H77920   | SUPPORT            | 1   |            | L.H.                                     |
| 18  | H76139   | SCREW              | 1   |            | SELF-TAPPING                             |
| 19  | H86653   | ANGLE              | 1   |            |  |

# 2J5

GRAIN TANK AND UNLOADING AUGER

H32847 -UN-01JAN94

## GRAIN TANK EXTENSIONS



| KEY | PART NO. | PART NAME     | QTY | SERIAL NO. | REMARKS                  |
|-----|----------|---------------|-----|------------|--------------------------|
| 1   | AH83876  | FRAME         | 1   |            | FRONT AND REAR           |
| 2   | 24H1136  | WASHER        | 15  |            | 11/32" X 11/16" X 0.065" |
| 3   | AH83874  | FRAME         | 2   |            | SIDE                     |
| 4   | 21H1070  | SCREW         | 8   |            | 5/16" X 7/8"             |
|     | 14H785   | NUT           | 8   |            | 5/16"                    |
| 5   | AH83876  | FRAME         | 1   |            | FRONT AND REAR           |
| 6   | 24H1305  | WASHER        | 2   |            | 13/32" X 13/16" X 0.065" |
| 7   | H82780   | STEP          | 1   |            |                          |
| 8   | 19H1731  | CAP SCREW     | 2   |            | 3/8" X 1"                |
|     | 14H812   | NUT           | 2   |            | 3/8"                     |
| 9   | 19H1900  | CAP SCREW     | 4   |            | 5/16" X 3/4"             |
|     | 14H785   | NUT           | 4   |            | 5/16"                    |
| 10  | H65108   | SCREW         | 3   |            | SELF-TAPPING             |
| 11  | H83860   | REINFORCEMENT | 1   |            |                          |
| 12  | 19H2127  | CAP SCREW     | 7   |            | 5/16" X 7/8"             |
|     | 14H785   | NUT           | 7   |            | 5/16"                    |

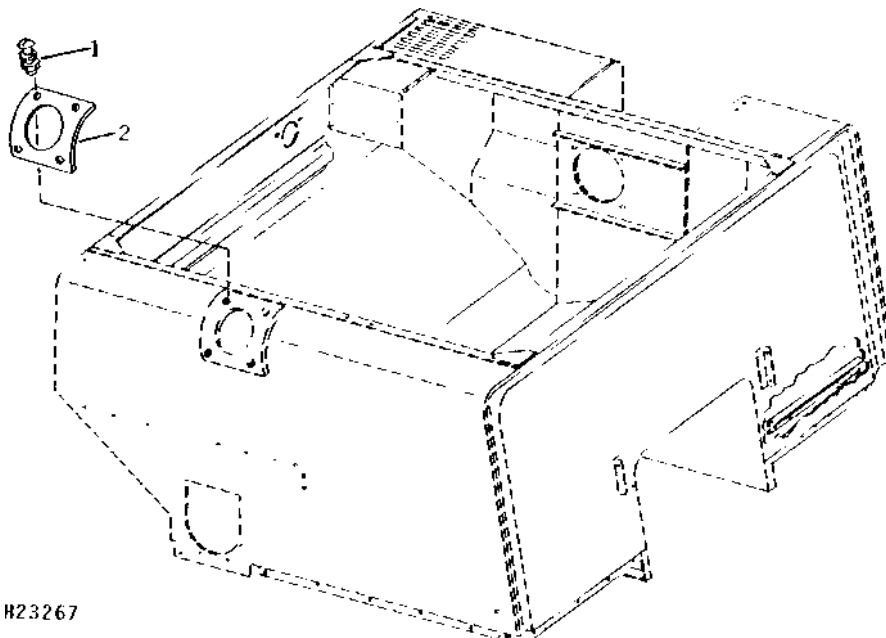
# 2J6

GRAIN TANK AND UNLOADING AUGER

H23267

-UN-01JAN94

## AIR INTAKE TUBE COVER (WITH GRAIN TANK COVER)



H23267

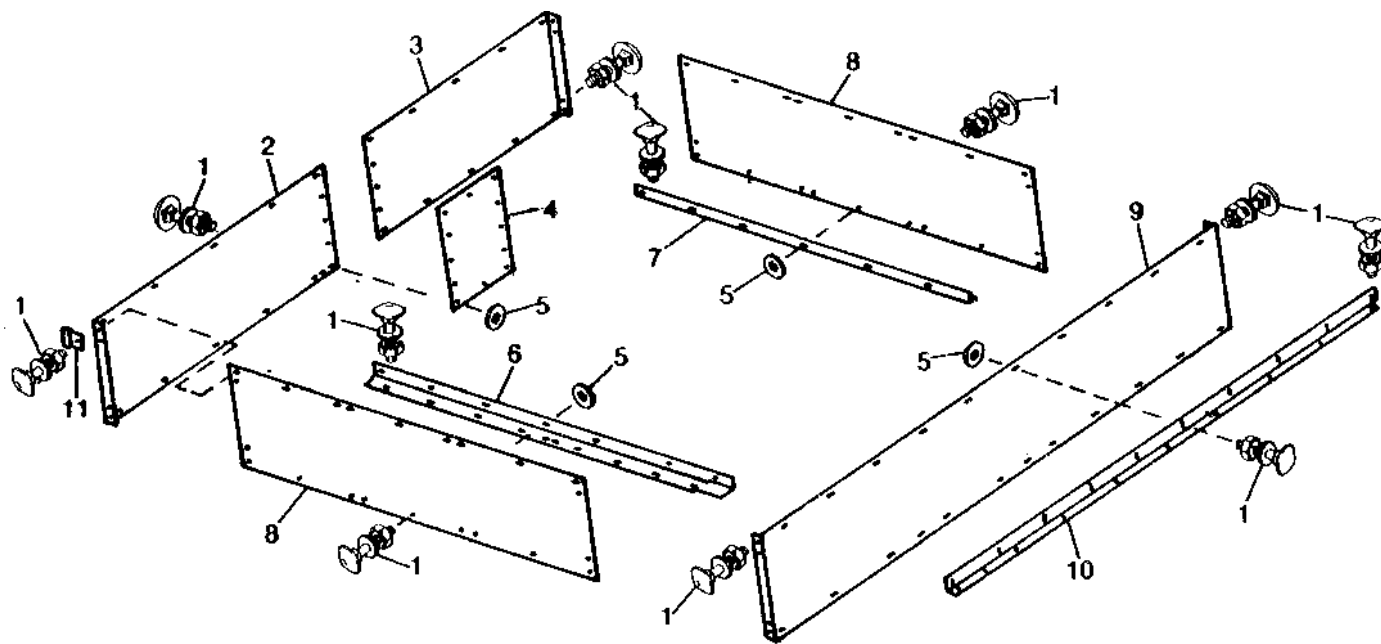
| KEY | PART NO. | PART NAME   | QTY | SERIAL NO.   | REMARKS |
|-----|----------|-------------|-----|--------------|---------|
| 1   | 21H1029  | SCREW       | 4   | 5/16" X 3/4" |         |
|     | 12H303   | LOCK WASHER | 4   | 5/16"        |         |
|     | 14H785   | NUT         | 4   | 5/16"        |         |
| 2   | H85588   | COVER       | 1   |              |         |

# 2J7

GRAIN TANK AND UNLOADING AUGER

HP1195 -UN-01JAN94

## GRAIN TANK COVER SIDE SHEETS



HP1195

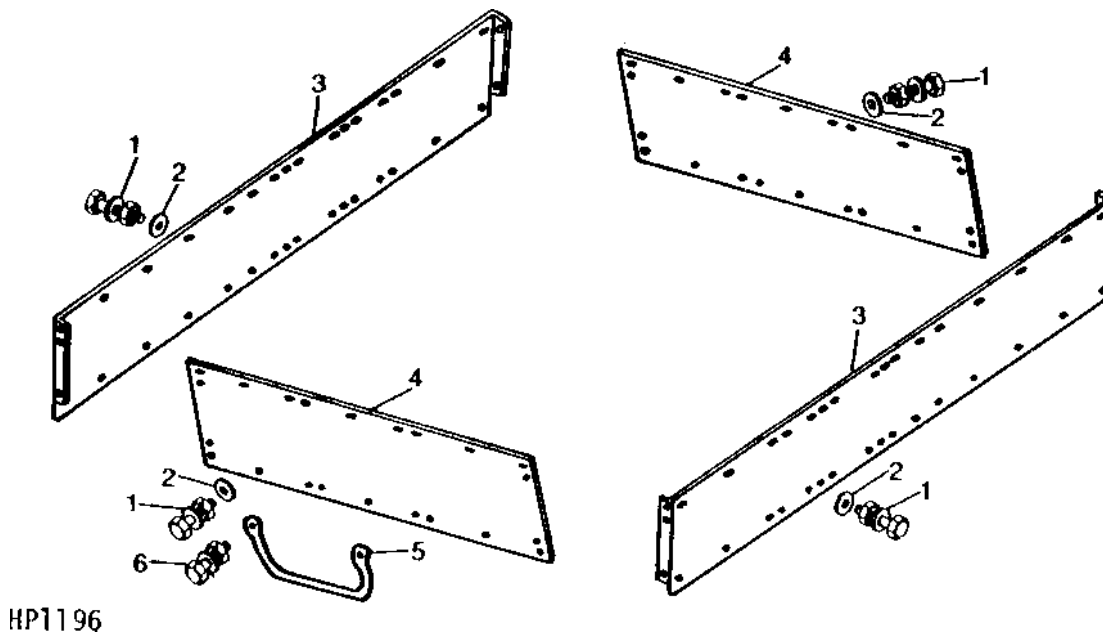
| KEY | PART NO. | PART NAME   | QTY | SERIAL NO.               | REMARKS |
|-----|----------|-------------|-----|--------------------------|---------|
| 1   | 21H1029  | SCREW       | 54  | 5/16" X 3/4"             |         |
|     | 12H303   | LOCK WASHER | 54  | 5/16"                    |         |
|     | 14H785   | NUT         | 54  | 5/16"                    |         |
| 2   | H85632   | SHEET       | 1   | FRONT, L.H.              |         |
| 3   | H85633   | SHEET       | 1   | FRONT, R.H.              |         |
| 4   | H85646   | WINDOW      | 1   |                          |         |
| 5   | 24H1136  | WASHER      | 32  | 11/32" X 11/16" X 0.065" |         |
| 6   | H85626   | ANGLE       | 1   | L.H.                     |         |
| 7   | H86052   | ANGLE       | 1   | R.H.                     |         |
| 8   | H85625   | SIDE WALL   | 2   |                          |         |
| 9   | H85623   | SHEET       | 1   | REAR                     |         |
| 10  | H86049   | ANGLE       | 1   | REAR                     |         |
| 11  | H85636   | CLIP        | 1   |                          |         |

# 2J8

GRAIN TANK AND UNLOADING AUGER

HP1196 -UN-01JAN94

## GRAIN TANK COVER EXTENSION SHEETS



| KEY | PART NO. | PART NAME   | QTY | SERIAL NO.               | REMARKS |
|-----|----------|-------------|-----|--------------------------|---------|
| 1   | 21H1029  | SCREW       | 47  | 5/16" X 3/4"             |         |
|     | 12H303   | LOCK WASHER | 47  | 5/16"                    |         |
|     | 14H785   | NUT         | 47  | 5/16"                    |         |
| 2   | 24H1136  | WASHER      | 47  | 11/32" X 11/16" X 0.065" |         |
| 3   | H86046   | SHEET       | 2   | FRONT AND REAR           |         |
| 4   | H85625   | SIDE WALL   | 2   |                          |         |
| 5   | H82780   | STEP        | 1   |                          |         |
| 6   | 19H1731  | CAP SCREW   | 2   | 3/8" X 1"                |         |
|     | 12H304   | LOCK WASHER | 2   | 3/8"                     |         |
|     | 14H812   | NUT         | 2   | 3/8"                     |         |

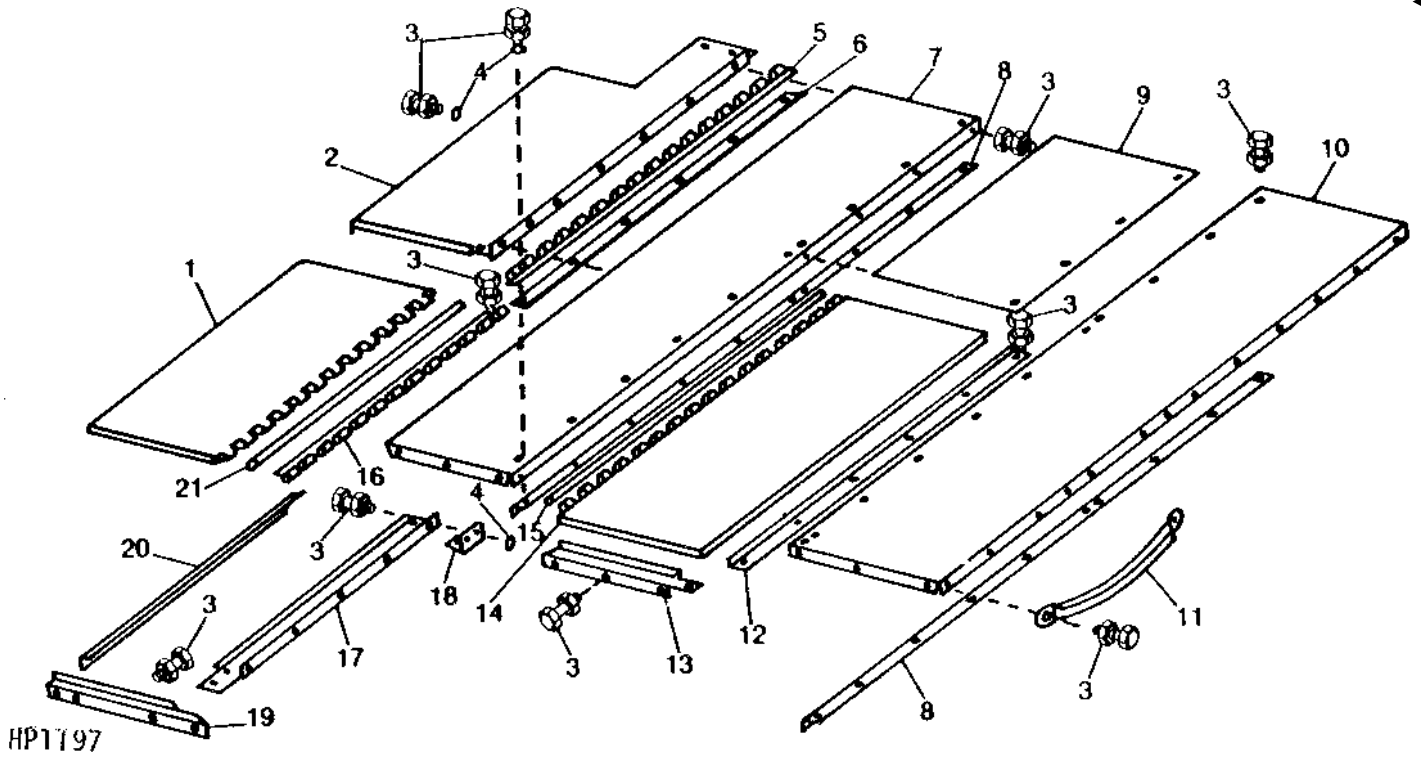


# 2J9

GRAIN TANK AND UNLOADING AUGER

HP1197 -UN-01JAN94

## GRAIN TANK COVER TOP SHEETS



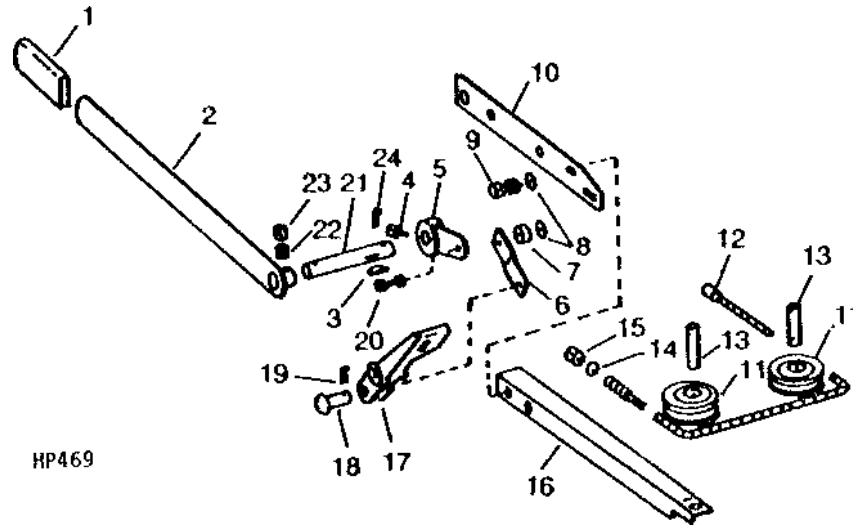
| KEY | PART NO. | PART NAME   | QTY | SERIAL NO. | REMARKS                  |
|-----|----------|-------------|-----|------------|--------------------------|
| 1   | H85607   | DOOR        | 1   |            | LOWER                    |
| 2   | H85629   | PLATE       | 1   |            | FRONT, LOWER             |
| 3   | 21H1029  | SCREW       | 86  |            | 5/16" X 3/4"             |
|     | 12H303   | LOCK WASHER | 86  |            | 5/16"                    |
|     | 14H785   | NUT         | 86  |            | 5/16"                    |
| 4   | 24H1136  | WASHER      | 42  |            | 11/32" X 11/16" X 0.065" |
| 5   | H85609   | HINGE       | 1   |            | UPPER DOOR               |
| 6   | H85605   | SEAL        | 1   |            | FRONT, UPPER             |
| 7   | H85619   | PANEL       | 1   |            | FRONT, UPPER             |
| 8   | H85622   | ANGLE       | 2   |            |                          |
| 9   | H85620   | PANEL       | 1   |            | MIDDLE, UPPER            |
| 10  | H85621   | PANEL       | 1   |            | REAR, UPPER              |
| 11  | H80731   | HANDLE      | 1   |            |                          |
| 12  | H85606   | SEAL        | 1   |            | REAR, UPPER              |
| 13  | H85597   | SEAL        | 1   |            | L.H., UPPER              |
| 14  | H85608   | DOOR        | 1   |            | UPPER                    |
| 15  | H28358   | DOWEL PIN   | 1   |            | UPPER                    |
| 16  | H85610   | HINGE       | 1   |            | LOWER DOOR               |
| 17  | H85603   | STOP        | 1   |            | REAR, LOWER              |
| 18  | H85630   | SEAL        | 1   |            |                          |
| 19  | H85604   | STOP        | 1   |            | L.H., LOWER              |
| 20  | H85601   | STOP        | 1   |            | FRONT, LOWER             |
| 21  | H77578   | PIN         | 1   |            | LOWER                    |

# 2J10

GRAIN TANK AND UNLOADING AUGER

HP469 -UN-01JAN94

## UNLOADING AUGER DRIVE CONTROL



| KEY | PART NO. | PART NAME  | QTY | SERIAL NO.               | REMARKS |
|-----|----------|------------|-----|--------------------------|---------|
| 1   | H96259   | GRIP       | 1   |                          |         |
| 2   | AH97326  | LEVER      | 1   |                          |         |
| 3   | 26H14    | SHAFT KEY  | 1   | 3/16" X 3/4"             |         |
| 4   | 22H817   | SET SCREW  | 1   | 3/8" X 3/4"              |         |
| 5   | H100018  | ARM        | 1   |                          |         |
| 6   | H83220   | STRAP      | 1   |                          |         |
| 7   | H78537   | BUSHING    | 1   |                          |         |
| 8   | 24H1305  | WASHER     | 2   | 13/32" X 13/16" X 0.065" |         |
| 9   | 19H1731  | CAP SCREW  | 2   | 3/8" X 1"                |         |
|     | 14H812   | NUT        | 2   | 3/8"                     |         |
| 10  | H80314   | STRAP      | 1   |                          |         |
| 11  | H82935   | PULLEY     | 2   | (PLASTIC)                |         |
| 12  | AH83352  | CABLE      | 1   |                          |         |
| 13  | H78531   | PIN        | 2   |                          |         |
| 14  | 24H1136  | WASHER     | 1   | 11/32" X 11/16" X 0.065" |         |
| 15  | M40699   | NUT        | 1   |                          |         |
| 16  | H80315   | ANGLE      | 1   |                          |         |
| 17  | H83217   | CRANK      | 1   |                          |         |
| 18  | C11271   | PIN        | 1   |                          |         |
| 19  | 11H211   | COTTER PIN | 1   | 1/8" X 3/4"              |         |
| 20  | 19H1732  | CAP SCREW  | 1   | 3/8" X 1-1/4"            |         |
|     | 14H812   | NUT        | 1   | 3/8"                     |         |
| 21  | H100864  | SHAFT      | 1   |                          |         |
| 22  | 34H131   | SPRING PIN | 1   | 3/8" X 1-3/4"            |         |
| 23  | 34H78    | SPRING PIN | 1   | 3/16" X 1-1/8"           |         |
| 24  | 11H218   | COTTER PIN | 1   | 3/16" X 1-1/2"           |         |

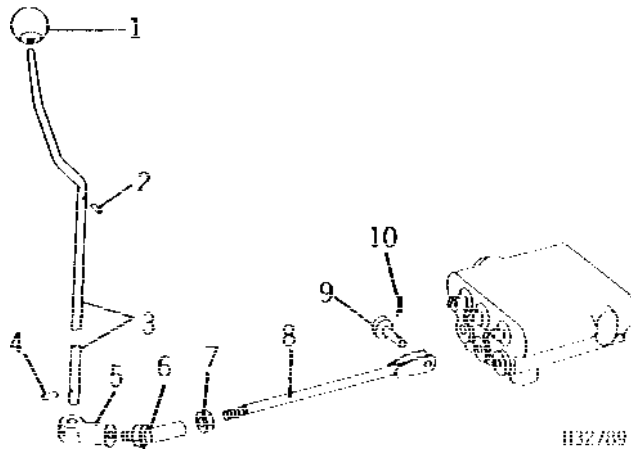
# 2J11

GRAIN TANK AND UNLOADING AUGER

## AUXILIARY UNLOADING AUGER HYDRAULIC DRIVE CONTROL

H32789

-UN-01JAN94



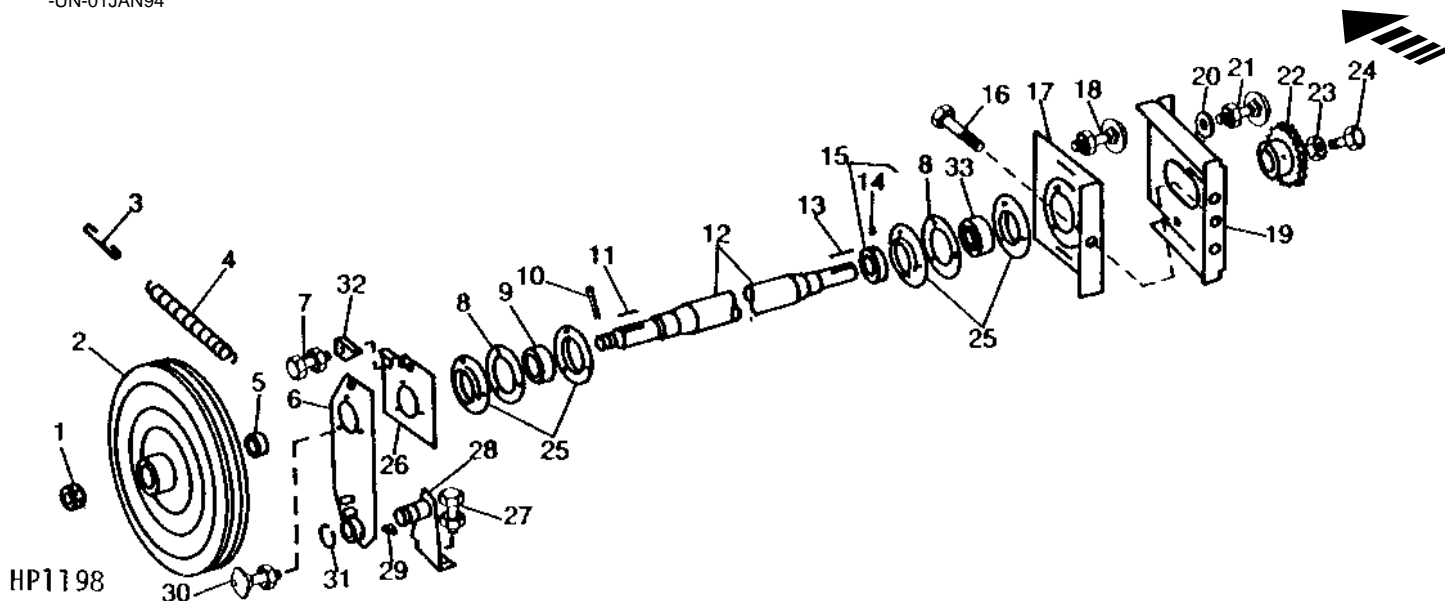
| KEY | PART NO. | PART NAME  | QTY | SERIAL NO.   | REMARKS                   |
|-----|----------|------------|-----|--------------|---------------------------|
| 1   | H83054   | KNOB       | 1   |              |                           |
| 2   | 34H266   | SPRING PIN | 1   | 5/32" X 1"   |                           |
| 3   | H99267   | LEVER      | 1   |              |                           |
| 4   | 34H282   | SPRING PIN | 1   | 3/16" X 1"   |                           |
| 5   | AH92608  | ARM        | 1   |              |                           |
| 6   | AH83521  | BALL JOINT | 1   |              |                           |
| 7   | 14H774   | NUT        | 1   | 3/8"         |                           |
| 8   | AH76491  | YOKE       | 1   | -500000      | (SUB AH111058 AND U42845) |
|     | AH111058 | ROD        | 1   |              |                           |
| 9   | H35481   | PIN        | 1   | -500000      |                           |
|     | U42845   | PIN        | 1   | 500001-      |                           |
| 10  | 11H266   | COTTER PIN | 1   | 1/16" X 1/2" |                           |

# 2J12

GRAIN TANK AND UNLOADING AUGER

HP1198 -UN-01JAN94

## UNLOADING AUGER COUNTERSHAFT



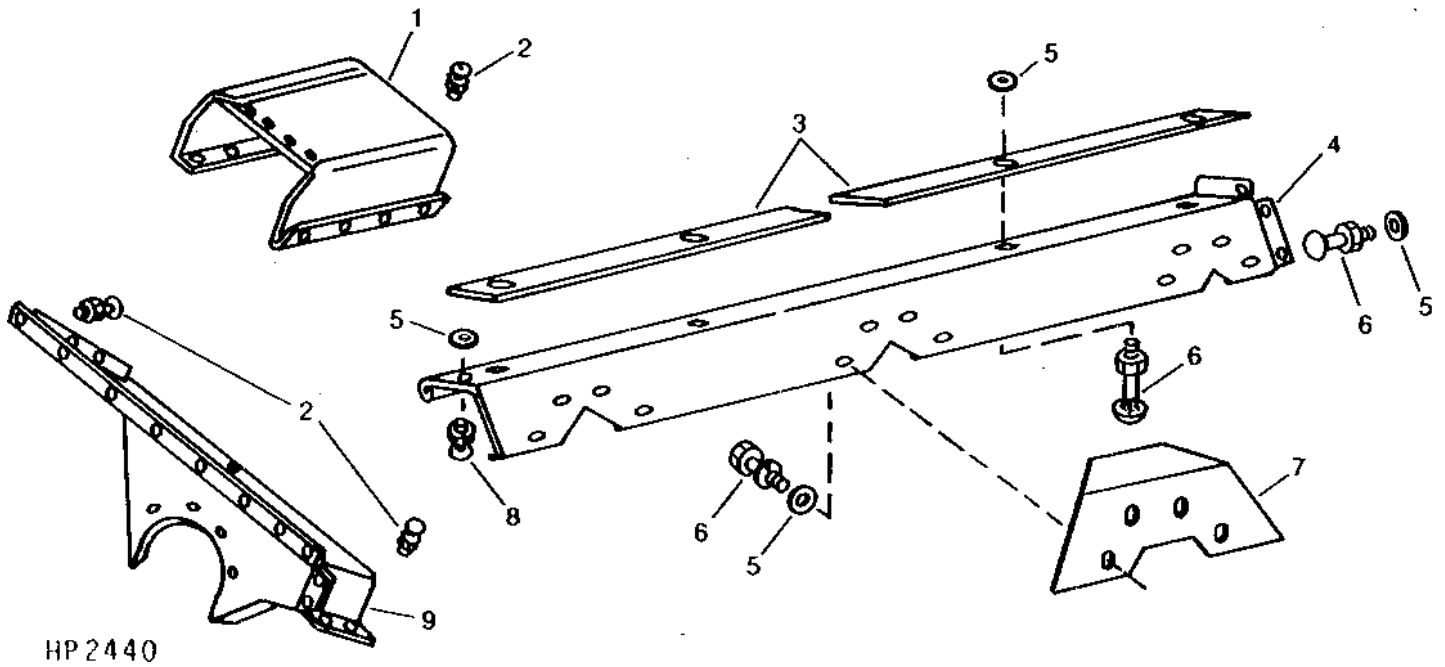
| KEY | PART NO. | PART NAME                | QTY | SERIAL NO.  | REMARKS |
|-----|----------|--------------------------|-----|---|---------|
| 1   | P49075   | LOCK NUT                 | 1   |   |         |
| 2   | 14H874   | NUT                      | 1   | 5/8"  |         |
|     | AH75984  | PULLEY                   | 1   | 245 MM (9-5/8") DIA.  |         |
| 3   | H88575   | LINK                     | 1   |   |         |
| 4   | H85783   | SPRING                   | 1   |   |         |
| 5   | 28H1666  | BUSHING                  | 1   | 1" X 7/16"  |         |
| 6   | AH87202  | ARM                      | 1   |   |         |
| 7   | 19H1800  | CAP SCREW                | 1   | 3/8" X 1-1/2"   |         |
|     | 14H812   | NUT                      | 1   | 3/8"  |         |
| 8   | H36155   | SHIM                     | 2   |   |         |
| 9   | JD8665   | BALL BEARING             | 1   |   |         |
| 10  | 11H237   | COTTER PIN               | 1   | 1/8" X 2"   |         |
| 11  | .....    | KEY                      | 1   | 6 MM X 6 MM X 25 MM (1/4" X 1/4" X 1") (CUT FROM H64374 IN AH64587 KEY STOCK KIT) |         |
| 12  | AH86633  | COUNTERSHAFT             | 1   |   |         |
| 13  | .....    | KEY                      | 1   | 6 MM X 6 MM X 51 MM (1/4" X 1/4" X 2") (CUT FROM H64374 IN AH64587 KEY STOCK KIT) |         |
| 14  | 22H897   | SET SCREW                | 1   | 1/4" X 1/4"   |         |
| 15  | JD8554   | ECCENTRIC LOCKING COLLAR | 1   |   |         |
| 16  | 19H3034  | CAP SCREW                | 1   | 3/8" X 3"   |         |
|     | 14H812   | NUT                      | 1   | 3/8"  |         |
| 17  | H86484   | BRACKET                  | 1   |   |         |
| 18  | 03H1540  | BOLT                     | 3   | 5/16" X 3/4"  |         |
|     | 14H785   | NUT                      | 3   | 5/16"   |         |
| 19  | AH89687  | SUPPORT                  | 1   |   |         |
| 20  | 24H1136  | WASHER                   | 2   | 11/32" X 11/16" X 0.065"  |         |
| 21  | 03H1709  | BOLT                     | 2   | 5/16" X 1"  |         |
|     | 14H785   | NUT                      | 2   | 5/16"   |         |
| 22  | AH84244  | DRIVE SPROCKET           | 1   | 18 TEETH  |         |
| 23  | 14H611   | NUT                      | 2   | 5/16"   |         |
| 24  | 22H818   | SET SCREW                | 2   | 5/16" X 3/4"  |         |
| 25  | C12865   | PRESSED FLANGED HOUSING  | 4   |   |         |
| 26  | H86083   | SPACER                   | 1   |   |         |
| 27  | 03H1500  | BOLT                     | 2   | 3/8" X 1"   |         |
|     | 14H812   | NUT                      | 2   | 3/8"  |         |
| 28  | AH75520  | BRACKET                  | 1   |   |         |
| 29  | JD7788   | LUBRICATION FITTING      | 1   | 45°, 1/4"   |         |
| 30  | 03H1524  | BOLT                     | 3   | 5/16" X 1"  |         |
|     | 14H785   | NUT                      | 3   | 5/16"   |         |
| 31  | P43026   | SNAP RING                | 1   |   |         |
| 32  | H94197   | ANCHOR                   | 1   |   |         |
| 33  | JD9273   | BALL BEARING             | 1   |   |         |

# 2J13

GRAIN TANK AND UNLOADING AUGER

## GRAIN TANK INNER UNLOADING AUGER COVER

HP2440 -UN-01JAN94



| KEY | PART NO. | PART NAME     | QTY | SERIAL NO.  | REMARKS                       |
|-----|----------|---------------|-----|-------------|-------------------------------|
| 1   | H86019   | HOUSING       | 1   |             |                               |
| 2   | 21H1310  | SCREW         | 32  | 1/4" X 1/2" |                               |
|     | 14H786   | NUT           | 32  | 1/4"        |                               |
| 3   | H101782  | COVER         | 1   |             | ADJUSTABLE (REGULAR)          |
| 4   | H101145  | COVER         | 1   |             | (REGULAR)                     |
| 5   | 24H1136  | WASHER        | AR  |             | 11/32" X 11/16" X 0.065"      |
| 6   | 03H1540  | BOLT          | AR  |             | 5/16" X 3/4"                  |
|     | 12H303   | LOCK WASHER   | AR  |             | 5/16"                         |
|     | 14H785   | NUT           | AR  |             | 5/16"                         |
| 7   | H120416  | REINFORCEMENT | 1   |             | CENTER (ONE USED PER MACHINE) |
| 8   | 19H1900  | CAP SCREW     | AR  |             | 5/16" X 3/4", (REGULAR)       |
|     | 14H785   | NUT           | AR  |             | 5/16", (REGULAR)              |
| 9   | AH76219  | SHIELD        | 1   |             |                               |

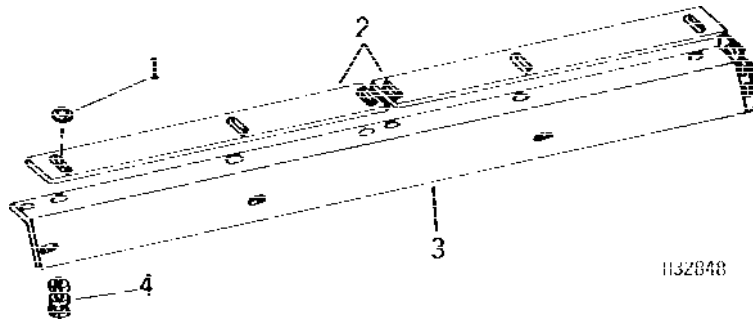
# 2J14

GRAIN TANK AND UNLOADING AUGER

H32848

-UN-01JAN94

## GRASS SEED UNLOADING ATTACHMENT



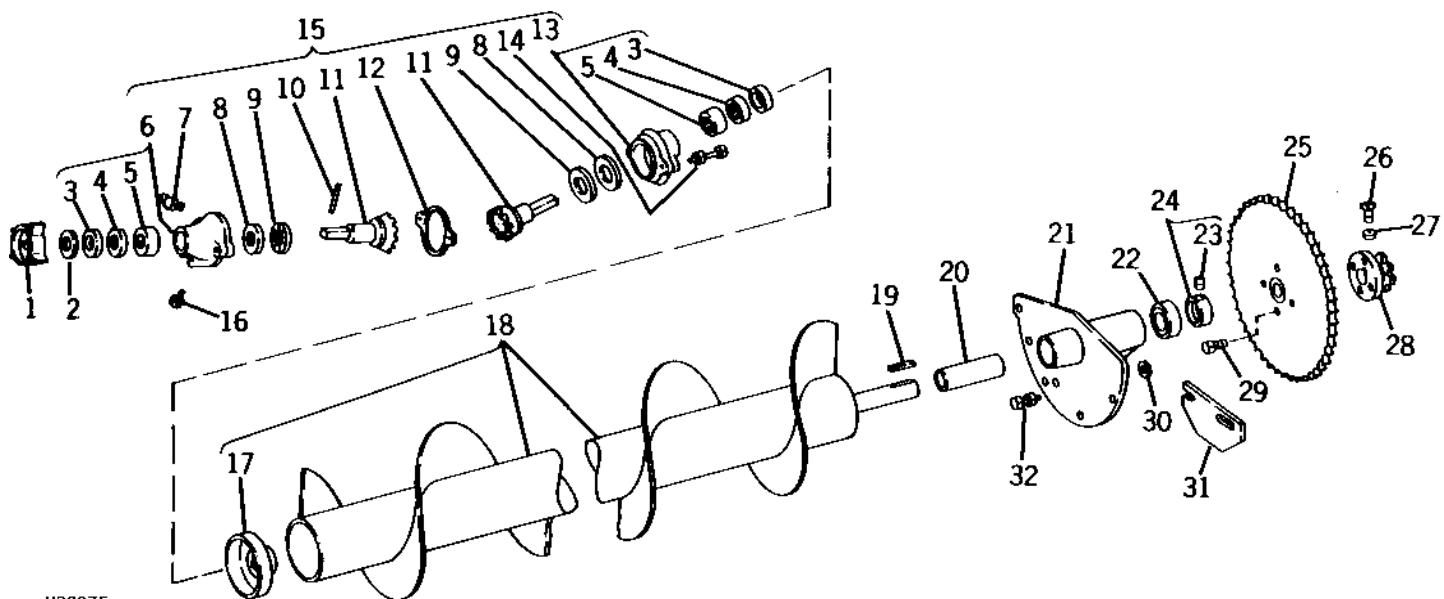
| KEY | PART NO. | PART NAME   | QTY | SERIAL NO. | REMARKS                  |
|-----|----------|-------------|-----|------------|--------------------------|
| 1   | 24H1136  | WASHER      | 8   |            | 11/32" X 11/16" X 0.065" |
| 2   | H85641   | COVER       | 2   |            | ADJUSTABLE (INNER AUGER) |
| 3   | H85638   | COVER       | 1   |            | (INNER AUGER)            |
| 4   | 03H1540  | BOLT        | 8   |            | 5/16" X 3/4"             |
|     | 12H303   | LOCK WASHER | 8   |            | 5/16"                    |
|     | 14H785   | NUT         | 8   |            | 5/16"                    |

# 2J15

GRAIN TANK AND UNLOADING AUGER

H32875 -UN-01JAN94

## INNER UNLOADING AUGER



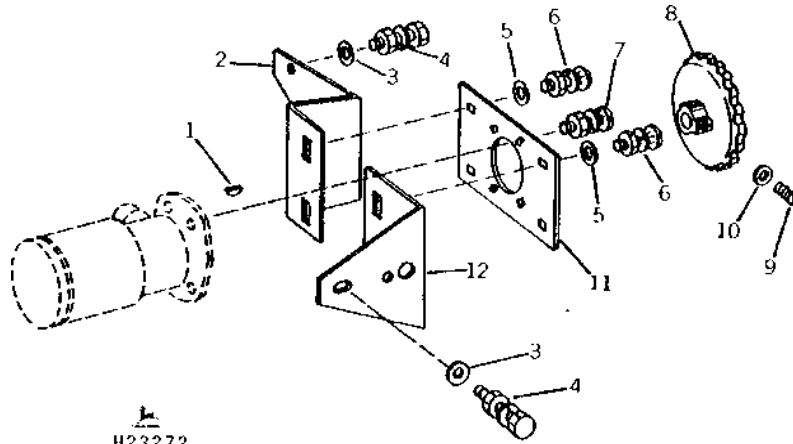
| KEY | PART NO. | PART NAME                | QTY | SERIAL NO.                 | REMARKS |
|-----|----------|--------------------------|-----|----------------------------|---------|
| 1   | H97395   | DRIVER                   | 1   |                            |         |
| 2   | 24H1633  | WASHER                   | 1   | 1-17/64" X 1-7/8" X 0.048" |         |
| 3   | C10519   | SEAL                     | 2   |                            |         |
| 4   | AH78919  | NEEDLE BEARING           | 2   |                            |         |
| 5   | JD8832   | NEEDLE BEARING           | 2   |                            |         |
| 6   | AH78917  | HOUSING                  | 1   | OUTER                      |         |
| 7   | JD7797   | LUBRICATION FITTING      | 1   | STRAIGHT, 1/8"             |         |
| 8   | H85096   | BEARING RACE             | 2   |                            |         |
| 9   | JD8841   | THRUST BEARING           | 2   |                            |         |
| 10  | 34H321   | SPRING PIN               | 1   | 1/4" X 2-1/2"              |         |
| 11  | H85097   | STEERING GEAR            | 2   |                            |         |
| 12  | H76584   | SHIM                     | AR  | PLASTIC                    |         |
| 13  | AH78918  | HOUSING                  | 1   | INNER                      |         |
| 14  | 19H2128  | CAP SCREW                | 2   | 3/8" X 3"                  |         |
|     | 14H812   | NUT                      | 2   | 3/8"                       |         |
| 15  | AH85491  | GEAR CASE                | 1   |                            |         |
| 16  | 19H2676  | CAP SCREW                | 2   | 3/8" X 1"                  |         |
|     | 12H304   | LOCK WASHER              | 2   | 3/8"                       |         |
| 17  | AH85408  | CAP                      | 1   |                            |         |
| 18  | AH76241  | AUGER                    | 1   |                            |         |
| 19  | H97345   | SHAFT KEY                | 1   |                            |         |
| 20  | H80364   | BUSHING                  | 1   |                            |         |
| 21  | H80227   | HOUSING                  | 1   |                            |         |
| 22  | JD8545   | BALL BEARING             | 1   |                            |         |
| 23  | 22H996   | SET SCREW                | 1   | 5/16" X 1"                 |         |
| 24  | JD8544   | ECCENTRIC LOCKING COLLAR | 1   |                            |         |
| 25  | H76958   | CHAIN SPROCKET           | 1   | 60 TEETH                   |         |
| 26  | 22H836   | SET SCREW                | 2   | 3/8" X 1"                  |         |
| 27  | 14H732   | NUT                      | 2   | 3/8"                       |         |
| 28  | H80800   | CHAIN SPROCKET           | 1   | 8 TEETH                    |         |
| 29  | 19H1905  | CAP SCREW                | 4   | 5/16" X 1"                 |         |
|     | 12H303   | LOCK WASHER              | 4   | 5/16"                      |         |
| 30  | 24H1136  | WASHER                   | 2   | 11/32" X 11/16" X 0.065"   |         |
| 31  | H80663   | COVER                    | 1   |                            |         |
| 32  | 19H1849  | CAP SCREW                | 5   | 5/16" X 1-1/4"             |         |
|     | 12H303   | LOCK WASHER              | 5   | 5/16"                      |         |
|     | 14H785   | NUT                      | 5   | 5/16"                      |         |

# 2J16

GRAIN TANK AND UNLOADING AUGER

H23272 -UN-01JAN94

## AUXILIARY UNLOADING AUGER DRIVE MOTOR SUPPORT

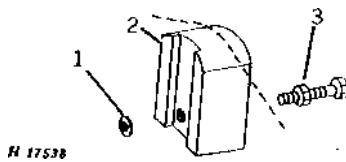


H23272

| KEY | PART NO. | PART NAME      | QTY | SERIAL NO.               | REMARKS |
|-----|----------|----------------|-----|--------------------------|---------|
| 1   | 26H22    | SHAFT KEY      | 1   | 1/4" X 1"                |         |
| 2   | H85585   | BRACKET        | 1   |                          |         |
| 3   | 24H1224  | WASHER         | 4   | 11/32" X 1" X 1/16"      |         |
| 4   | 19H1900  | CAP SCREW      | 4   | 5/16" X 3/4"             |         |
|     | 12H303   | LOCK WASHER    | 4   | 5/16"                    |         |
|     | 14H785   | NUT            | 4   | 5/16"                    |         |
| 5   | 24H1305  | WASHER         | 4   | 13/32" X 13/16" X 0.065" |         |
| 6   | 03H1519  | BOLT           | 4   | 3/8" X 1"                |         |
|     | 12H304   | LOCK WASHER    | 4   | 3/8"                     |         |
|     | 14H812   | NUT            | 4   | 3/8"                     |         |
| 7   | 03H1731  | BOLT           | 4   | 1/2" X 1-1/2"            |         |
|     | 12H301   | LOCK WASHER    | 4   | 1/2"                     |         |
|     | 14H1040  | NUT            | 4   | 1/2"                     |         |
| 8   | H83746   | CHAIN SPROCKET | 1   | 22 TEETH                 |         |
| 9   | 22H853   | SET SCREW      | 2   | 3/8" X 7/8"              |         |
| 10  | 14H732   | NUT            | 2   | 3/8"                     |         |
| 11  | H85584   | PLATE          | 1   |                          |         |
| 12  | H85583   | BRACKET        | 1   |                          |         |

H17538 -UN-01JAN94

## AUXILIARY UNLOADING AUGER DRIVE TIGHTENER



H 17538

| KEY | PART NO. | PART NAME | QTY | SERIAL NO.               | REMARKS |
|-----|----------|-----------|-----|--------------------------|---------|
| 1   | 24H1136  | WASHER    | 1   | 11/32" X 11/16" X 0.065" |         |
| 2   | H25393   | TIGHTENER | 1   |                          |         |
| 3   | 03H1549  | BOLT      | 1   | 5/16" X 2-1/4"           |         |
|     | 14H785   | NUT       | 1   | 5/16"                    |         |

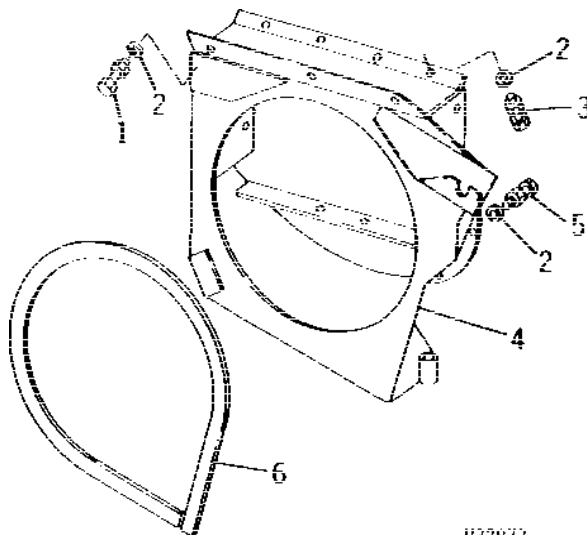


# 2J17

GRAIN TANK AND UNLOADING AUGER

H32877 -UN-01JAN94

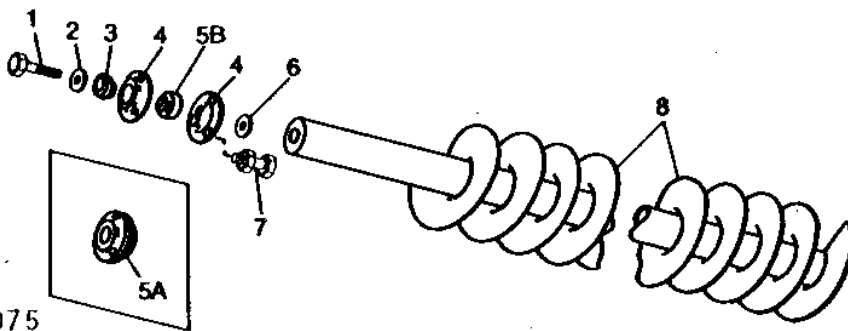
## UNLOADING AUGER HINGE AND SWING



| KEY | PART NO. | PART NAME   | QTY | SERIAL NO.                         | REMARKS |
|-----|----------|-------------|-----|------------------------------------|---------|
| 1   | 19H1813  | CAP SCREW   | 3   | 5/16" X 5/8"                       |         |
|     | 12H303   | LOCK WASHER | 3   | 5/16"                              |         |
|     | 14H785   | NUT         | 3   | 5/16"                              |         |
| 2   | 24H1292  | WASHER      | 16  | 11/32" X 3/4" X 0.120"             |         |
| 3   | 19H1813  | CAP SCREW   | 8   | 5/16" X 5/8"                       |         |
|     | 12H303   | LOCK WASHER | 8   | 5/16"                              |         |
|     | 14H785   | NUT         | 8   | 5/16"                              |         |
| 4   | AH76243  | HINGE       | 1   | INNER                              |         |
| 5   | 19H2127  | CAP SCREW   | 5   | 5/16" X 7/8"                       |         |
|     | 12H303   | LOCK WASHER | 5   | 5/16"                              |         |
|     | 14H785   | NUT         | 5   | 5/16"                              |         |
| 6   | .....    | SEAL        | 1   | 880 MM (34-5/8") (CUT FROM H81660) |         |

## OUTER UNLOADING AUGER

HP2075 -UN-01JAN94



| KEY | PART NO. | PART NAME               | QTY | SERIAL NO. | REMARKS   |
|-----|----------|-------------------------|-----|------------|---|
| 1   | 19H1768  | CAP SCREW               | 1   | -600000    | 3/4" X 2"   |
|     | 19H2122  | CAP SCREW               | 1   | 600001-    | 1" X 2-1/2"   |
| 2   | 12H236   | LOCK WASHER             | 1   | -600000    | 3/4"  |
|     | 12H234   | LOCK WASHER             | 1   | 600001-    | 1"  |
| 3   | H76790   | BUSHING                 | 1   |            | (USE WITH (2) H103264 AND JD8665 UP TO SERIAL NO. 550476)             |
|     | H85559   | WASHER                  | AR  | 600001-    |   |
| 4   | H103264  | PRESSED FLANGED HOUSING | 2   | 600001-    | (USE WITH JD8665 AND H76790)  |
| 5A  | AP26308  | BEARING                 | 1   | -600000    |   |
| 5B  | JD8665   | BALL BEARING            | 1   | 600001-    |   |
| 6   | 24H1663  | WASHER                  | AR  | -600000    | 49/64" X 1-1/2" X 0.134"  |
| 7   | 03H1540  | BOLT                    | 3   |            | 5/16" X 3/4"  |
|     | 12H303   | LOCK WASHER             | 3   |            | 5/16"   |
|     | 14H785   | NUT                     | 3   |            | 5/16"   |
| 8   | AH76609  | AUGER                   | 1   | -600000    | (SUB AH114138)  |
|     | AH114138 | AUGER                   | 2   |            | (LONG) (USE WITH (2) H103264, (4) H85559, JD8665, 19H2122 AND 12H234) |

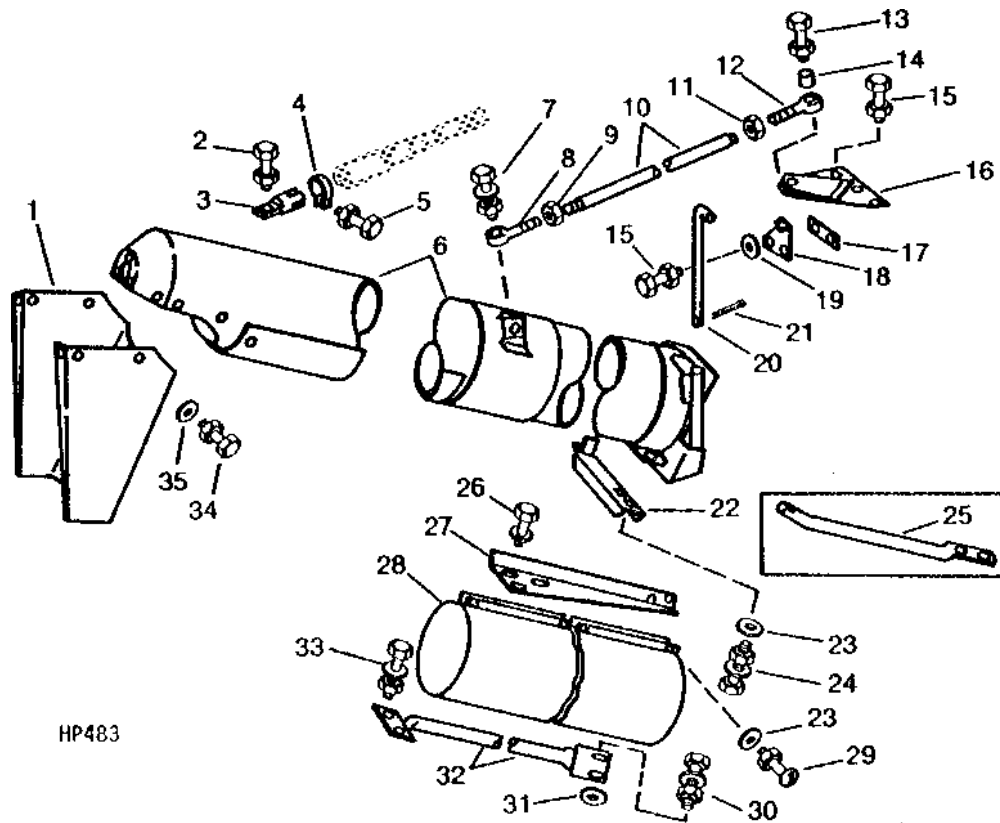
# 2J18

GRAIN TANK AND UNLOADING AUGER

HP483

-UN-01JAN94

## OUTER UNLOADING AUGER HOUSING



HP483

| KEY | PART NO. | PART NAME   | QTY | SERIAL NO.          | REMARKS |
|-----|----------|-------------|-----|---------------------|---------|
| 1   | H85940   | SPOUT       | 1   | (RUBBER)            |         |
| 2   | 19H1768  | CAP SCREW   | 1   | 3/4" X 2"           |         |
|     | T25879   | NUT         | 1   |                     |         |
| 3   | H101620  | CLAMP       | 1   |                     |         |
| 4   | H102284  | CLAMP       | 1   |                     |         |
| 5   | 19H1765  | CAP SCREW   | 1   | 3/8" X 1-3/4"       |         |
|     | H99923   | LOCK NUT    | 1   |                     |         |
| 6   | AH101599 | HOUSING     | 1   | (LONG)              |         |
|     | AH101598 | HOUSING     | 1   | (LONG) (PERFORATED) |         |
| 7   | 19H1708  | CAP SCREW   | 1   | 5/8" X 1-3/4"       |         |
|     | M2023T   | LOCK NUT    | 1   |                     |         |
| 8   | H76760   | EYEBOLT     | 1   |                     |         |
| 9   | 14H793   | NUT         | 1   | 3/4"                |         |
| 10  | AH75801  | BRACE       | 1   |                     |         |
| 11  | 14H929   | NUT         | 1   | 3/4"                |         |
| 12  | H76759   | EYEBOLT     | 1   |                     |         |
| 13  | 19H1765  | CAP SCREW   | 1   | 3/8" X 1-3/4"       |         |
|     | H99923   | LOCK NUT    | 1   |                     |         |
| 14  | H77490   | BUSHING     | 1   |                     |         |
| 15  | 19H2284  | CAP SCREW   | 5   | 3/8" X 7/8"         |         |
|     | 12H304   | LOCK WASHER | 5   | 3/8"                |         |
|     | 14H812   | NUT         | 5   | 3/8"                |         |
| 16  | AH76244  | SUPPORT     | 1   |                     |         |

# 2J19

GRAIN TANK AND UNLOADING AUGER

## OUTER UNLOADING AUGER HOUSING - CONTINUED

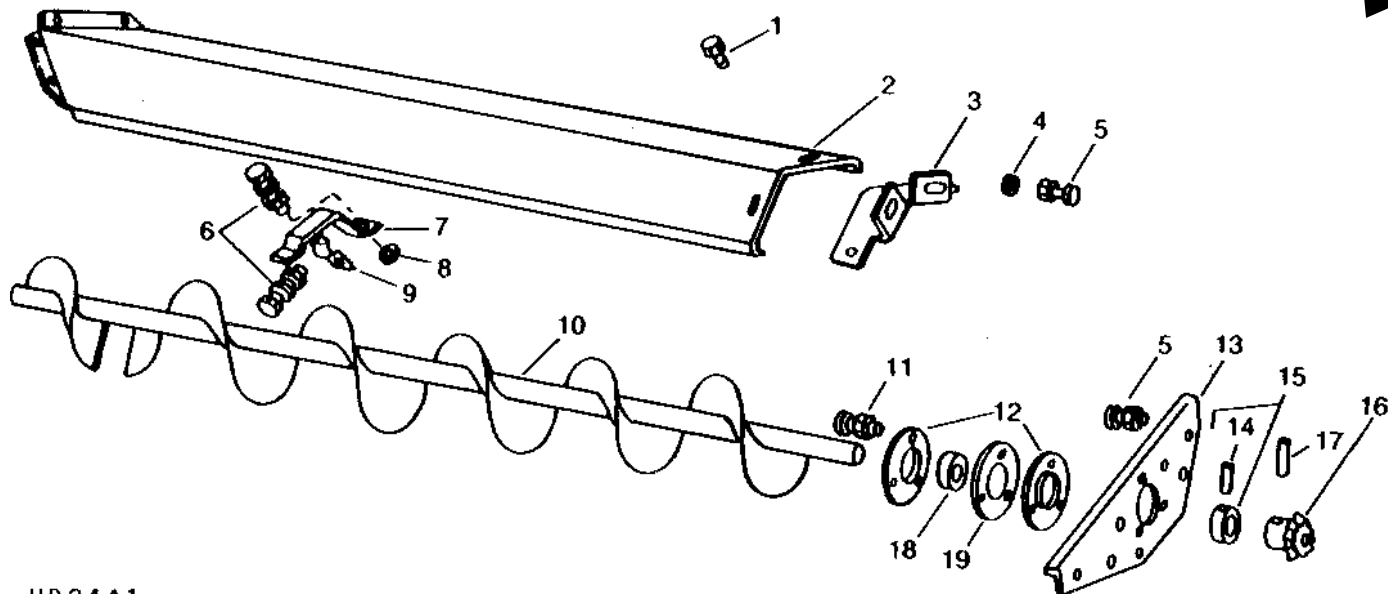
| KEY | PART NO. | PART NAME          | QTY | SERIAL NO. | REMARKS                                  |
|-----|----------|--------------------|-----|------------|--|
| 17  | H77493   | STRAP              | 1   |            |  |
| 18  | H77494   | BRACE              | 1   |            |  |
| 19  | 24H1305  | WASHER             | 3   |            | 13/32" X 13/16" X 0.065"                 |
| 20  | H78180   | PIN                | 1   |            |  |
| 21  | 11H236   | COTTER PIN         | 1   |            | 1/8" X 1"                                |
| 22  | H103061  | SUPPORT            | 1   |            |  |
| 23  | 24H1136  | WASHER             | 7   |            | 11/32" X 11/16" X 0.065"                 |
| 24  | 19H2127  | CAP SCREW          | 2   |            | 5/16" X 7/8"                             |
|     | 12H303   | LOCK WASHER        | 2   |            | 5/16"                                    |
|     | 14H785   | NUT                | 2   |            | 5/16"                                    |
| 25  | H103454  | PIPE               | 1   | -400987    | (SUB AH107325, H108623, H108624, 14H794) |
| 26  | N10214   | SELF-LOCKING SCREW | 3   | 400988-    |  |
|     | N10215   | LOCK NUT           | 3   | 400988-    |  |
| 27  | H108624  | BRACE              | 1   |            |  |
| 28  | H103645  | COVER              | 1   |            | (WITH PERFORATED HOUSING)                |
| 29  | 21H1077  | SCREW              | 5   |            | 5/16" X 2"                               |
|     | 14H785   | NUT                | 5   |            | 5/16"                                    |
| 30  | 19H1815  | CAP SCREW          | 2   |            | 1/2" X 1-1/4"                            |
|     | 12H301   | LOCK WASHER        | 2   |            | 1/2"                                     |
|     | 14H1040  | NUT                | 2   |            | 1/2"                                     |
| 31  | 24H1111  | WASHER             | 2   |            | 17/32" X 1-1/16" X 0.090"                |
| 32  | AH102740 | BRACE              | 1   |            |  |
| 33  | 03H1500  | BOLT               | 2   |            | 3/8" X 1"                                |
|     | 12H304   | LOCK WASHER        | 2   |            | 3/8"                                     |
|     | 14H812   | NUT                | 2   |            | 3/8"                                     |
| 34  | 19H1900  | CAP SCREW          | 6   |            | 5/16" X 3/4"                             |
|     | N10213   | LOCK NUT           | 6   | -600000    |  |
|     | 14H785   | NUT                | 6   | 600001-    | 5/16"                                    |
|     | 12H303   | LOCK WASHER        | 6   | 600001-    | 5/16"                                    |
| 35  | 24H1293  | WASHER             | 6   |            | 11/32" X 1-1/16" X 0.120"                |

# 2J20

GRAIN TANK AND UNLOADING AUGER

## GRAIN TANK AUXILIARY UNLOADING AUGERS AND COVERS

HP2441 -UN-01JAN94



| KEY | HP2441<br>PART NO. | PART NAME                | QTY | SERIAL NO.               | REMARKS      |
|-----|--------------------|--------------------------|-----|--------------------------|--------------|
| 1   | H65108             | SCREW                    | 2   |                          | SELF-TAPPING |
| 2   | H101146            | COVER                    | 1   |                          |              |
| 3   | H80068             | BRACKET                  | 1   |                          |              |
| 4   | 24H1136            | WASHER                   | 2   | 11/32" X 11/16" X 0.065" |              |
| 5   | 19H1900            | CAP SCREW                | 2   | 5/16" X 3/4"             |              |
|     | 14H785             | NUT                      | 2   | 5/16"                    |              |
| 6   | 19H2127            | CAP SCREW                | 4   | 5/16" X 7/8"             |              |
|     | 12H303             | LOCK WASHER              | 4   | 5/16"                    |              |
|     | 14H785             | NUT                      | 4   | 5/16"                    |              |
| 7   | H85644             | HANGER                   | 1   |                          |              |
| 8   | 24H1296            | WASHER                   | 4   | 11/32" X 1-3/8" X 0.134" |              |
| 9   | H85631             | RETAINER                 | 3   |                          |              |
| 10  | AH76218            | AUGER                    | 1   |                          |              |
| 11  | 03H1540            | BOLT                     | 3   | 5/16" X 3/4"             |              |
|     | 14H785             | NUT                      | 3   | 5/16"                    |              |
| 12  | H35465             | PRESSED FLANGED HOUSING  | 2   |                          |              |
| 13  | H100325            | REINFORCEMENT            | 1   |                          |              |
| 14  | 22H897             | SET SCREW                | 1   | 1/4" X 1/4"              |              |
| 15  | JD8554             | ECCENTRIC LOCKING COLLAR | 1   |                          |              |
| 16  | H75406             | GEAR                     | 1   | 13 TEETH                 |              |
| 17  | 34H188             | SPRING PIN               | 1   | 5/16" X 1-3/4"           |              |
| 18  | JD8665             | BALL BEARING             | 1   |                          |              |
| 19  | H36155             | SHIM                     | 1   |                          |              |

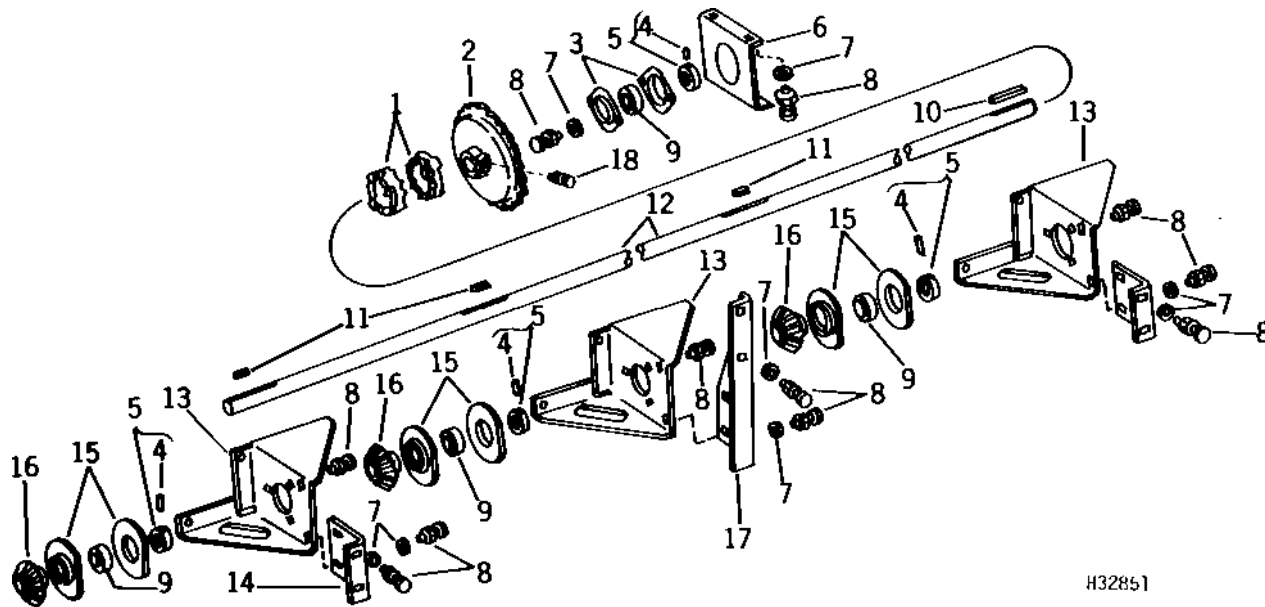
QUANTITIES SHOWN ARE FOR ONE UNIT. THREE UNITS USED PER MACHINE.

# 2J21

GRAIN TANK AND UNLOADING AUGER

H32851 -UN-01JAN94

## AUXILIARY UNLOADING AUGERS DRIVE SHAFT



H32851

| KEY | PART NO. | PART NAME                | QTY | SERIAL NO. | REMARKS  |
|-----|----------|--------------------------|-----|------------|--|
| 1   | Z699H    | SLIP CLUTCH              | 2   |            |  |
| 2   | H83746   | CHAIN SPROCKET           | 1   |            | 22 TEETH   |
| 3   | L2287C   | PRESSED FLANGED HOUSING  | 2   | -610550    | (SUB M66125, THIS APPLICATION)   |
|     | M66125   | PRESSED FLANGED HOUSING  | 2   |            |  |
| 4   | 22H897   | SET SCREW                | 4   |            | 1/4" X 1/4"  |
| 5   | JD8554   | ECCENTRIC LOCKING COLLAR | 4   |            |  |
| 6   | H77434   | BRACKET                  | 1   |            |  |
| 7   | 24H1136  | WASHER                   | 1   |            | 11/32" X 11/16" X 0.065"   |
| 8   | 03H1540  | BOLT                     | 27  |            | 5/16" X 3/4"   |
|     | 14H785   | NUT                      | 23  |            | 5/16"  |
| 9   | JD8665   | BALL BEARING             | 4   |            |  |
| 10  | .....    | KEY                      | 1   |            | 6 MM X 6 MM X 51 MM (1/4" X 1/4" X 2") (CUT FROM H64374 IN AH64587 KEY STOCK KIT)    |
| 11  | .....    | KEY                      | 3   |            | 6 MM X 6 MM X 19 MM (1/4" X 1/4" X 3/4") (CUT FROM H64374 (IN AH64587 KEY STOCK KIT) |
| 12  | H77460   | DRIVE SHAFT              | 1   |            |  |
| 13  | H77431   | BRACKET                  | 3   |            |  |
| 14  | H77459   | SUPPORT                  | 2   |            |  |
| 15  | H35465   | PRESSED FLANGED HOUSING  | 6   |            |  |
| 16  | H75406   | GEAR                     | 3   |            | 13 TEETH   |
| 17  | H77458   | SUPPORT                  | 1   |            |  |
| 18  | 22H853   | SET SCREW                | 2   |            | 3/8" X 7/8"  |
|     | 14H732   | NUT                      | 2   |            | 3/8"   |

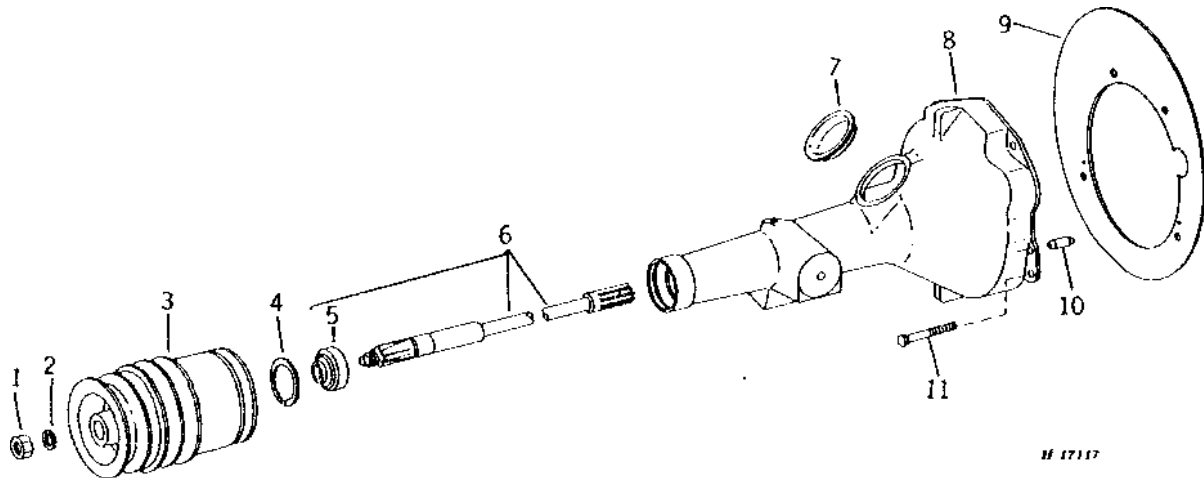
MEMORANDA

# 2J23

MAJOR DRIVES

H17117 -UN-01JAN94

## ENGINE POWERSHAFT



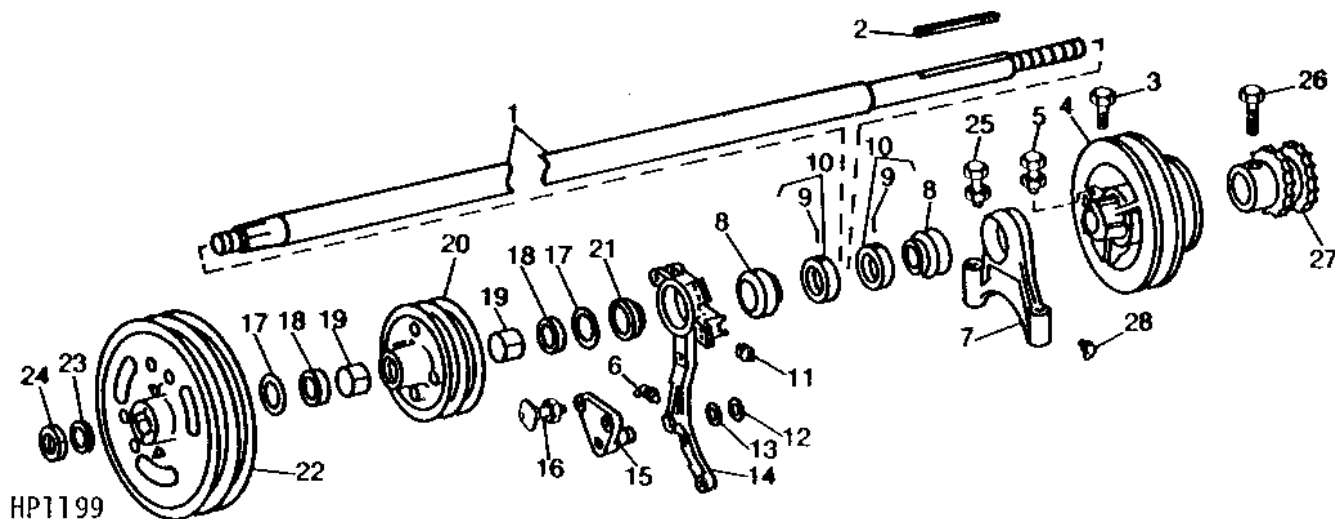
| KEY | PART NO. | PART NAME    | QTY | SERIAL NO.  | REMARKS |
|-----|----------|--------------|-----|---|---------|
| 1   | H82619   | LOCK NUT     | 1   |   |         |
| 2   | 24H1481  | WASHER       | 1   | 1-5/32" X 2" X 0.134"   |         |
| 3   | H84106   | SHEAVE       | 1   | 227 MM, 232 MM AND 181 MM (8-15/16", 9-1/8" AND 7-1/8") DIAS. |         |
| 4   | 31415    | SNAP RING    | 1   |   |         |
| 5   | JD9404   | BALL BEARING | 1   |   |         |
| 6   | AH79763  | SHAFT        | 1   |   |         |
| 7   | H76728   | COVER        | 1   |   |         |
| 8   | H80991   | HOUSING      | 1   |   |         |
| 9   | H81362   | PLATE        | 1   |   |         |
| 10  | H76732   | DOWEL PIN    | 2   |   |         |
| 11  | 19H2133  | CAP SCREW    | 4   | 5/8" X 4-1/2"   |         |
|     | 12H294   | LOCK WASHER  | 4   | 5/8"  |         |

# 2J24

MAJOR DRIVES

HP1199 -UN-01JAN94

## PRIMARY COUNTERSHAFT



| KEY | PART NO. | PART NAME                | QTY | SERIAL NO. | REMARKS   |
|-----|----------|--------------------------|-----|------------|---|
| 1   | H77383   | SHAFT                    | 1   | -550000    | (SUB H114617)   |
|     | H114617  | SHAFT                    | 1   |            | (ALSO ORDER H114618 AND H114628)                              |
| 2   | H84102   | SHAFT KEY                | 1   | -550000    | (SUB H114628)   |
|     | H114628  | KEY                      | 1   |            |   |
| 3   | 22H837   | SET SCREW                | 1   |            | 3/8" X 5/8"   |
| 4   | H84103   | SHEAVE                   | 1   |            | 185 MM AND 292 MM (7-9/32" AND 11-1/2") DIAS.                 |
| 5   | 19H1781  | CAP SCREW                | 2   |            | 1/2" X 3-1/2"   |
|     | 12H301   | LOCK WASHER              | 2   |            | 1/2"  |
|     | 14H1040  | NUT                      | 2   |            | 1/2"  |
| 6   | JD7806   | LUBRICATION FITTING      | 1   |            | 90°, 1/4"   |
| 7   | H87455   | HOUSING                  | 1   |            | R.H.  |
| 8   | JD9339   | BALL BEARING             | 2   |            |   |
| 9   | 22H979   | SET SCREW                | 2   |            | 3/8" X 3/8"   |
| 10  | JD8579   | ECCENTRIC LOCKING COLLAR | 2   |            |   |
| 11  | JD7797   | LUBRICATION FITTING      | 1   |            | STRAIGHT, 1/4"  |
| 12  | P43026   | SNAP RING                | 1   |            |   |
| 13  | 24H1275  | WASHER                   | 1   |            | 1-1/64" X 1-1/2" X 0.075"                                     |
| 14  | H93557   | SUPPORT                  | 1   |            | L.H.  |
| 15  | AH76191  | PIVOT                    | 1   |            |   |
| 16  | 03H1480  | BOLT                     | 2   |            | 3/8" X 1-1/4"   |
|     | 14H812   | NUT                      | 2   |            | 3/8"  |
| 17  | 24H1577  | WASHER                   | AR  |            | 1-25/32" X 2-7/8" X 0.036", (ELECTROMAGNETIC CLUTCH)          |
| 18  | AH76193  | SEAL                     | 2   |            | (ELECTROMAGNETIC CLUTCH)                                      |
| 19  | H96996   | BUSHING                  | 2   |            | (ELECTROMAGNETIC CLUTCH)                                      |
| 20  | AH96107  | SHEAVE                   | 1   |            | 229 MM (9") DIA. (ELECTROMAGNETIC CLUTCH) (MARKED H97311)     |
|     | H77392   | SHEAVE                   | 1   |            | 229 MM (9") DIA. (WITHOUT ELECTROMAGNETIC CLUTCH)             |
| 21  | 24H1571  | WASHER                   | 1   |            | 1-25/32" X 2-7/8" X 0.120"                                    |
| 22  | H96848   | SHEAVE                   | 1   |            | 402 MM (15-53/64") DIA.                                       |
| 23  | 24H1218  | WASHER                   | 1   |            | 1-9/32" X 3" X 0.120"   |
| 24  | H82620   | LOCK NUT                 | 1   |            |   |
| 25  | 19H1974  | CAP SCREW                | 2   |            | 1/2" X 2-3/4"   |
|     | 12H301   | LOCK WASHER              | 2   |            | 1/2"  |
|     | 14H1040  | NUT                      | 2   |            | 1/2"  |
| 26  | 22H888   | SET SCREW                | 2   |            | 3/8" X 1-1/4", (SLOW SPEED CYLINDER DRIVE INTERMEDIATE SHAFT) |
| 27  | H85441   | CHAIN SPROCKET           | 1   |            | 21 TEETH, (SLOW SPEED CYLINDER DRIVE INTERMEDIATE SHAFT)      |
|     | H85442   | CHAIN SPROCKET           | 1   |            | 25 TEETH, (SLOW SPEED CYLINDER DRIVE INTERMEDIATE SHAFT)      |
| 28  | JD7788   | LUBRICATION FITTING      | 1   |            | 45°, 1/4"   |

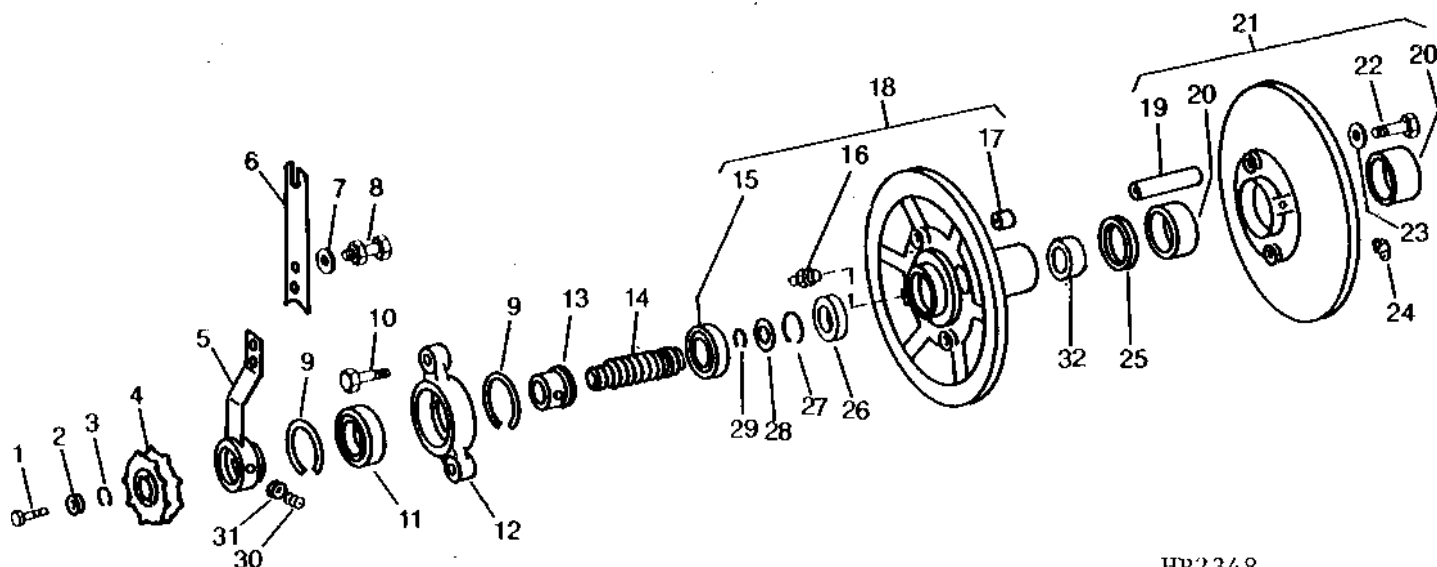


# 2J25

MAJOR DRIVES

HP2348 -UN-01JAN94

## PRIMARY COUNTERSHAFT CYLINDER DRIVE SHEAVES



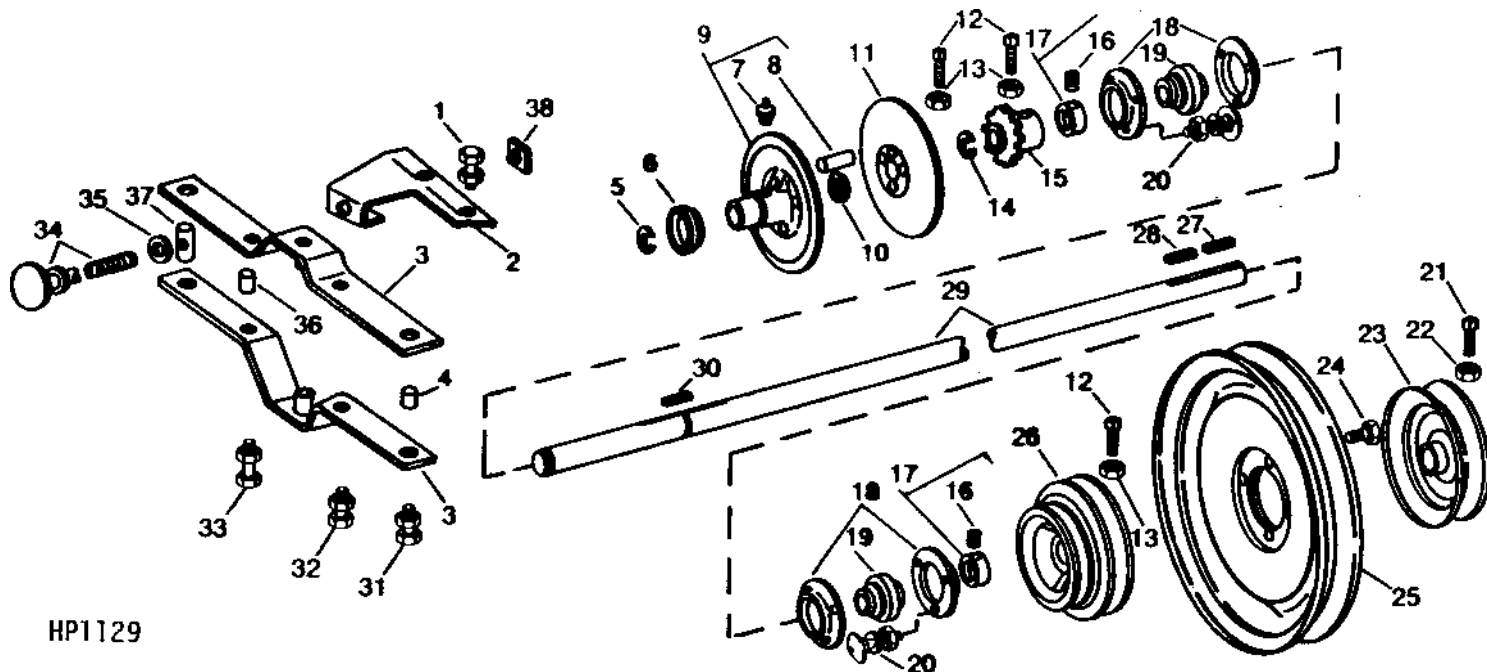
HP2348

| KEY | PART NO. | PART NAME           | QTY | SERIAL NO. | REMARKS   |
|-----|----------|---------------------|-----|------------|---|
| 1   | H75549   | SCREW               | 1   |            |   |
| 2   | JD9399   | BALL BEARING        | 1   | -550000    | (SUB AT23189)   |
|     | AT23189  | BALL BEARING        | 1   |            |   |
| 3   | P46437   | SNAP RING           | 1   |            |   |
| 4   | AH90514  | DRIVE SPROCKET      | 1   |            | 28 TEETH  |
| 5   | AH80732  | ANCHOR              | 1   |            |   |
| 6   | AH86881  | STRAP               | 1   |            |   |
| 7   | 24H1305  | WASHER              | 2   |            | 13/32" X 13/16" X 0.065"  |
| 8   | 19H2284  | CAP SCREW           | 2   |            | 3/8" X 7/8"   |
|     | 14H812   | NUT                 | 2   |            | 3/8"  |
| 9   | 31415    | SNAP RING           | 2   |            |   |
| 10  | 19H2563  | CAP SCREW           | 2   |            | 7/16" X 1-3/4"  |
| 11  | JD9241   | BALL BEARING        | 1   |            |   |
| 12  | H75701   | CRADLE              | 1   |            |   |
| 13  | H75702   | BUSHING             | 1   |            |   |
| 14  | H83761   | SCREW               | 1   |            |   |
| 15  | JD9450   | BALL BEARING        | 1   |            |   |
| 16  | JD7797   | LUBRICATION FITTING | 1   |            | STRAIGHT, 1/4"  |
| 17  | H75693   | BUSHING             | 2   |            |   |
| 18  | AH84885  | SHEAVE              | 1   |            | FIXED, WITH BUSHINGS, 356 MM (14") DIA.<br>(MARKED H84417)            |
| 19  | H75692   | PIN                 | 2   |            |   |
| 20  | H84365   | BUSHING             | 2   |            |   |
| 21  | AH84845  | SHEAVE              | 1   |            | SLIDING, WITH PINS AND BEARINGS, 356 MM (14")<br>DIA. (MARKED H75008) |
| 22  | 19H1924  | CAP SCREW           | 2   |            | 7/16" X 3/4"  |
|     | 12H293   | LOCK WASHER         | 2   |            | 7/16"   |
| 23  | 24H1327  | WASHER              | 2   |            | 15/32" X 1-1/8" X 7/64"   |
| 24  | JD7788   | LUBRICATION FITTING | 1   |            | 45°, 1/4"   |
| 25  | AN85023  | SEAL                | 1   |            |   |
| 26  | H114618  | SPACER              | 1   | 550001-    | (USE WITH H114617)  |
| 27  | Z9250H   | SNAP RING           | 1   |            |   |
| 28  | H75700   | WASHER              | 1   |            |   |
| 29  | P42273   | SNAP RING           | 1   |            |   |
| 30  | 22H1006  | SET SCREW           | 1   |            | 5/16" X 7/8"  |
| 31  | 14H611   | NUT                 | 1   |            | 5/16"   |
| 32  | H114618  | SPACER              | 1   |            |   |

# 2K1

## SECONDARY COUNTERSHAFT AND CLEANING FAN DRIVE ADJUSTMENT

HP1129 -UN-01JAN94



HP1129

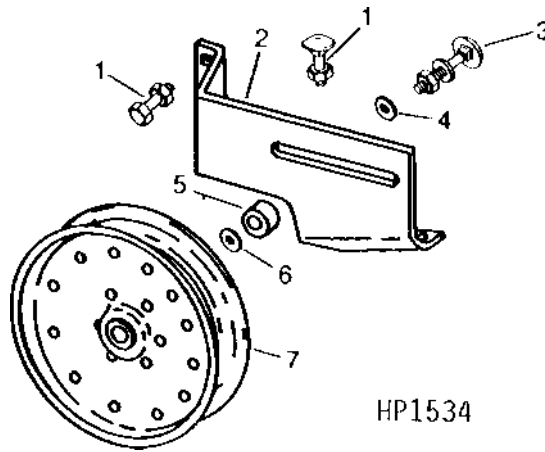
| KEY | PART NO. | PART NAME                | QTY | SERIAL NO. | REMARKS   |
|-----|----------|--------------------------|-----|------------|---|
| 1   | 19H2284  | CAP SCREW                | 2   |            | 3/8" X 7/8"   |
|     | 14H812   | NUT                      | 2   |            | 3/8"  |
| 2   | H80215   | BRACKET                  | 1   |            |   |
| 3   | AH102871 | YOKE                     | 2   |            |   |
| 4   | P50362   | BUSHING                  | 1   |            |   |
| 5   | P43363   | SNAP RING                | 1   |            |   |
| 6   | AH87207  | THRUST BEARING           | 1   |            |   |
| 7   | JD7798   | LUBRICATION FITTING      | 1   |            | STRAIGHT, 1/8"  |
| 8   | H100796  | SPRING PIN               | 1   |            |   |
| 9   | AH100010 | SHEAVE                   | 1   |            | SLIDING, 256 MM (10-1/16") DIA. (FAN DRIVE)<br>(MARKED H100794)                                       |
| 10  | A4730R   | O-RING                   | 1   |            |   |
| 11  | H80724   | HALF SHEAVE              | 1   |            | FIXED, 256 MM (10-1/16") DIA.   |
| 12  | 22H853   | SET SCREW                | 6   |            | 3/8" X 7/8"   |
| 13  | 14H732   | NUT                      | 6   |            | 3/8"  |
| 14  | H64160   | SNAP RING                | 1   |            |   |
| 15  | AH84242  | CHAIN SPROCKET           | 1   |            | 15 TEETH  |
| 16  | 22H897   | SET SCREW                | 2   |            | 1/4" X 1/4"   |
| 17  | JD8554   | ECCENTRIC LOCKING COLLAR | 2   |            |   |
| 18  | H87472   | PRESSED FLANGED HOUSING  | 4   | -600400    |   |
|     | H103264  | PRESSED FLANGED HOUSING  | 4   | 600401-    |   |
| 19  | JD8665   | BALL BEARING             | 2   |            |   |
| 20  | 03H1524  | BOLT                     | 6   |            | 5/16" X 1"  |
|     | 14H785   | NUT                      | 6   |            | 5/16"   |
| 21  | 22H836   | SET SCREW                | 2   |            | 3/8" X 1"   |
| 22  | 14H732   | NUT                      | 2   |            | 3/8"  |
| 23  | AH75980  | SHEAVE                   | 1   |            | 222 MM (8-3/4") DIA. (CLEAN GRAIN ELEVATOR<br>DRIVE)  |
| 24  | 19H2127  | CAP SCREW                | 4   |            | 5/16" X 7/8"  |
| 25  | AH76140  | SHEAVE                   | 1   |            | 502 MM (19-3/4") DIA.   |
| 26  | H77263   | SHEAVE                   | 1   |            | 162 MM AND 184 MM (6-3/8" AND 7-1/4") DIAS.<br>(TAILINGS AUGER AND SHOE GRAIN SUPPLY<br>AUGERS DRIVE) |
| 27  | .....    | KEY                      | 1   |            | 6 MM X 6 MM X 25 MM (1/4" X 1/4" X 1") (CUT<br>FROM H64374 IN AH64587 KEY STOCK KIT)                  |
| 28  | .....    | KEY                      | 1   |            | 6 MM X 6 MM X 57 MM (1/4" X 1/4" X 2-1/4")<br>(CUT FROM H64374 IN AH64587 KEY STOCK KIT)              |
| 29  | H77265   | JACKSHAFT                | 1   |            |   |
| 30  | N13224   | SHAFT KEY                | 2   |            |   |

SECONDARY COUNTERSHAFT AND CLEANING FAN DRIVE ADJUSTMENT - CONTINUED

| KEY | PART NO. | PART NAME   | QTY | SERIAL NO.               | REMARKS |
|-----|----------|-------------|-----|--------------------------|---------|
| 31  | 19H1800  | CAP SCREW   | 1   | 3/8" X 1-1/2"            |         |
|     | 14H812   | NUT         | 1   | 3/8"                     |         |
| 32  | 19H1731  | CAP SCREW   | 1   | 3/8" X 1"                |         |
|     | 14H812   | NUT         | 1   | 3/8"                     |         |
| 33  | 19H1765  | CAP SCREW   | 1   | 3/8" X 1-3/4"            |         |
|     | 12H304   | LOCK WASHER | 1   | 3/8"                     |         |
|     | 14H812   | NUT         | 1   | 3/8"                     |         |
| 34  | AH77098  | WHEEL       | 1   |                          |         |
| 35  | 24H1304  | WASHER      | 1   | 13/32" X 23/32" X 0.120" |         |
| 36  | 28H1697  | SPACER      | 1   | 3/8" X 3/4"              |         |
| 37  | H78988   | PIN         | 1   |                          |         |
| 38  | 14H841   | NUT         | 1   | 3/8"                     |         |

SECONDARY COUNTERSHAFT DRIVE TIGHTENER

HP1534 -UN-01JAN94

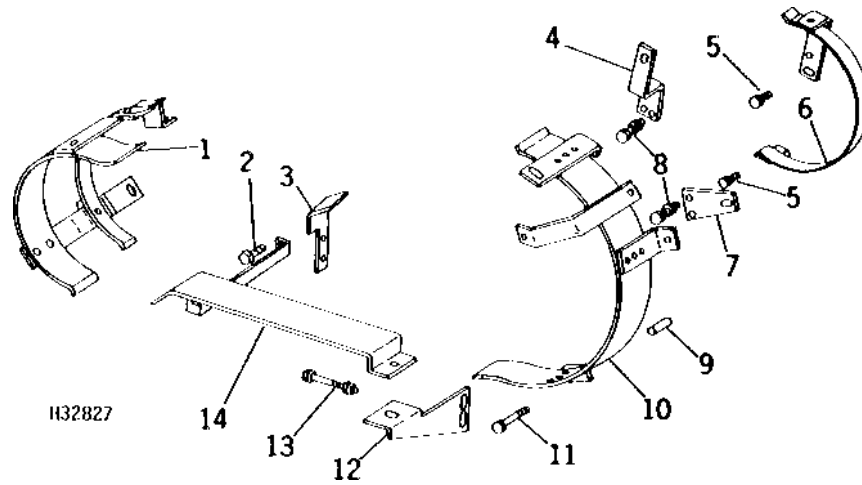


| KEY | PART NO. | PART NAME   | QTY | SERIAL NO.                              | REMARKS |
|-----|----------|-------------|-----|---|---------|
| 1   | 03H1268  | BOLT        | 4   | 5/16" X 3/4"                            |         |
|     | 14H785   | NUT         | 4   | 5/16"                                   |         |
| 2   | H77516   | BRACKET     | 1   |   |         |
| 3   | 03H1628  | BOLT        | 1   | -400987 5/8" X 2-1/2"                   |         |
|     | 03H2073  | BOLT        | 1   | 400988- 5/8" X 2-3/4"                   |         |
|     | 14H1039  | NUT         | 1   | 5/8"                                    |         |
|     | 12H294   | LOCK WASHER | 1   | 5/8"                                    |         |
| 4   | 24H1424  | WASHER      | 1   | 29/32" X 1-1/2" X 0.060"                |         |
| 5   | 28H2524  | BUSHING     | 1   | 3/4" X 13/16"                           |         |
| 6   | 24H1368  | WASHER      | 1   | 21/32" X 1-5/16" X 0.090"               |         |
| 7   | AH85276  | PULLEY      | 1   | -500000 (SUB AH97031, THIS APPLICATION) |         |
|     | AH97031  | IDLER       | 1   | 222 MM (8-3/4") DIA.                    |         |

# 2K3

H32827 -UN-01JAN94

## SEPARATOR AND UNLOADING AUGER DRIVE BELT GUIDES



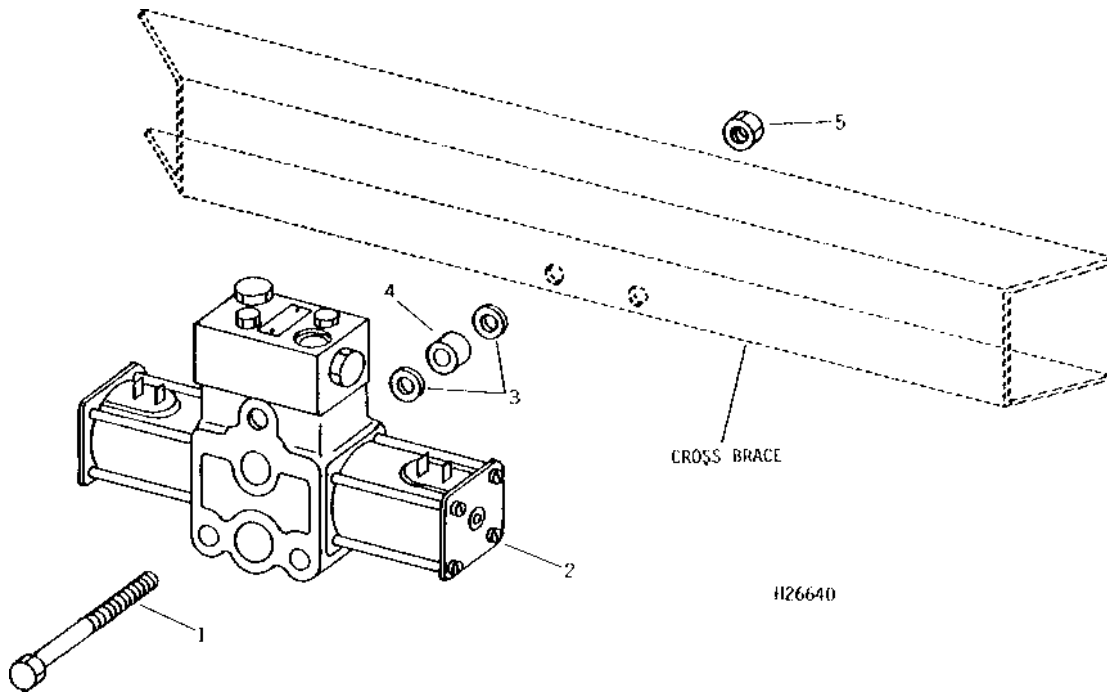
| KEY | PART NO. | PART NAME | QTY | SERIAL NO. | REMARKS       |
|-----|----------|-----------|-----|------------|---------------|
| 1   | AH86589  | GUIDE     | 1   |            | FRONT         |
| 2   | H76139   | SCREW     | 1   |            | SELF-TAPPING  |
| 3   | H78794   | BRACKET   | 1   |            |               |
| 4   | H77687   | BRACKET   | 1   |            |               |
| 5   | 19H1732  | CAP SCREW | 3   |            | 3/8" X 1-1/4" |
| 6   | AH75521  | GUIDE     | 1   |            | REAR          |
| 7   | H77688   | PLATE     | 1   |            |               |
| 8   | 19H1732  | CAP SCREW | 4   |            | 3/8" X 1-1/4" |
|     | 14H812   | NUT       | 4   |            | 3/8"          |
| 9   | H65133   | BUSHING   | 1   |            |               |
| 10  | AH98053  | GUIDE     | 1   |            | REAR          |
| 11  | 19H1944  | CAP SCREW | 1   |            | 3/8" X 2-3/4" |
| 12  | H76371   | SUPPORT   | 1   |            | REAR          |
| 13  | 19H1726  | CAP SCREW | 2   |            | 3/8" X 2-1/4" |
|     | 14H812   | NUT       | 2   |            | 3/8"          |
| 14  | AH75635  | SUPPORT   | 1   |            | MIDDLE        |

# 2K5

HEADER HEIGHT CONTROL

H26640 -UN-01JAN94

## AUTO HEADER CONTROL VALVE (AUTOMATIC HEADER HEIGHT CONTROL AND DIAL-A-MATIC HEADER HEIGHT CONTROL)

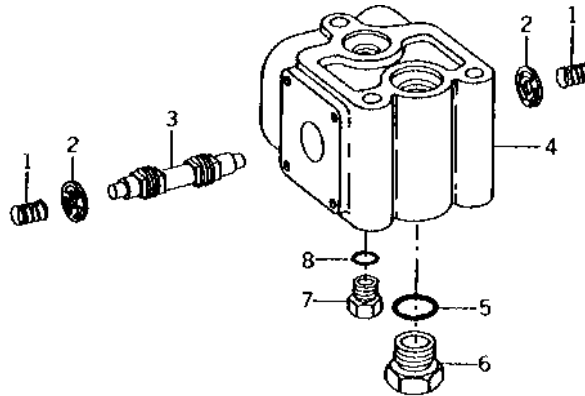


| KEY | PART NO. | PART NAME | QTY | SERIAL NO. | REMARKS                            |
|-----|----------|-----------|-----|------------|------------------------------------|
| 1   | 19H1854  | CAP SCREW | 2   |            |                                    |
| 2   | AH89357  | VALVE     | 1   | -450000    | 3/8" X 3-3/4"                      |
|     | AH106547 | VALVE     | 1   |            | (SUB AH106547)<br>(REMANUFACTURED) |
| 3   | 24H1310  | WASHER    | 4   |            | 13/32" X 1-1/8" X 7/64"            |
| 4   | H28031   | WASHER    | 2   |            | RUBBER                             |
| 5   | N10215   | LOCK NUT  | 2   |            |                                    |

# 2K6

**MAIN VALVE BLOCK  
(AUTOMATIC HEADER HEIGHT CONTROL AND  
DIAL-A-MATIC HEADER HEIGHT CONTROL)**

H25945 -UN-01JAN94



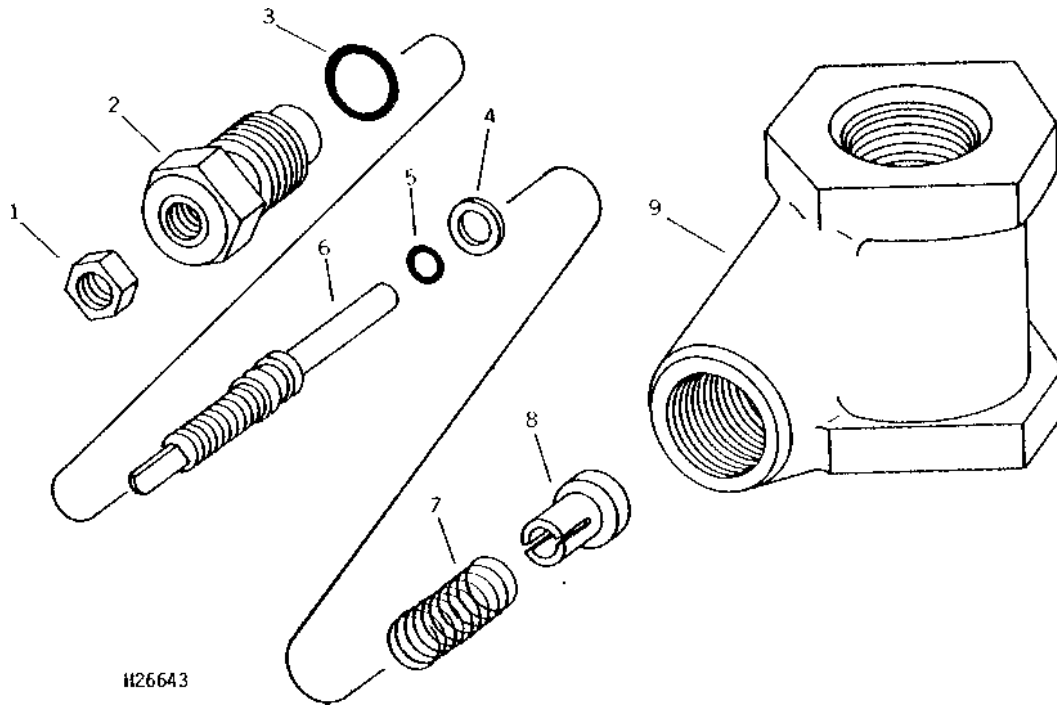
H25945

| KEY | PART NO. | PART NAME    | QTY | SERIAL NO. | REMARKS                       |
|-----|----------|--------------|-----|------------|-------------------------------|
| 1   | H89337   | SPRING       | 2   | -450000    |                               |
| 2   | H89340   | WASHER       | 2   | -450000    |                               |
|     | H107970  | BUSHING      | 1   | 450001-    |                               |
| 3   | H89329   | SPOOL        | 1   | -450000    | (SUB AH106626)                |
|     | AH106626 | KIT          | 1   |            | (INCLUDES H107970 AND H89337) |
| 4   | .....    | VALVE        | 1   |            | (SUB AH89357)                 |
| 5   | R26375   | O-RING       | 1   |            |                               |
| 6   | R39112   | FITTING      | 1   |            |                               |
| 7   | R27218   | FITTING PLUG | 1   |            |                               |
| 8   | R26448   | O-RING       | 1   |            |                               |

# 2K7

**DROP RATE VALVE  
(AUTOMATIC HEADER HEIGHT CONTROL AND  
DIAL-A-MATIC HEADER HEIGHT CONTROL)**

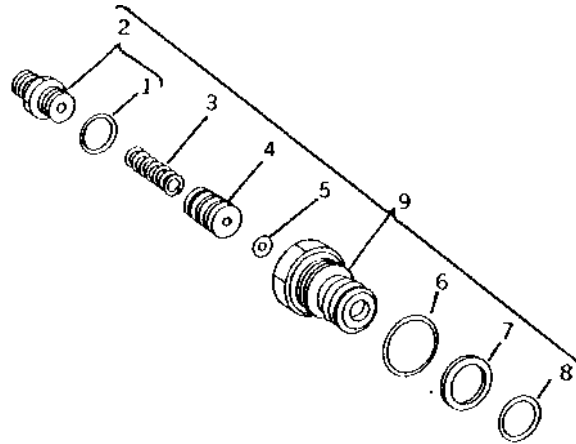
H26643 -UN-01JAN94



| KEY  | PART NO. | PART NAME | QTY | SERIAL NO.        | REMARKS |
|--|----------|-----------|-----|-------------------|---------|
| 1  | H89949   | NUT       | 1   | (A)               |         |
| 2  | .....    | CAP       | 1   | (A) (SUB AH90686) |         |
| 3  | R26375   | O-RING    | 1   | (A)               |         |
| 4  | .....    | WASHER    | 1   | (SUB AH90686)     |         |
| 5  | A4365R   | O-RING    | 1   | (A)               |         |
| 6  | .....    | STEM      | 1   | (A) (SUB AH90686) |         |
| 7  | H89338   | SPRING    | 1   | (A)               |         |
| 8  | H89336   | POPPET    | 1   | (A)               |         |
| 9  | AH89358  | VALVE     | 1   |                   |         |
| KIT LISTED BELOW CONSISTS OF ALL PARTS IDENTIFIED BY AN (A): |          |           |     |                   |         |
| ..   | AH90686  | KIT       | 1   |                   |         |

**FLOW CONTROL PLUG  
(AUTOMATIC HEADER HEIGHT CONTROL AND  
DIAL-A-MATIC HEADER HEIGHT CONTROL)**

H16860 -UN-01JAN94



**H 16860**

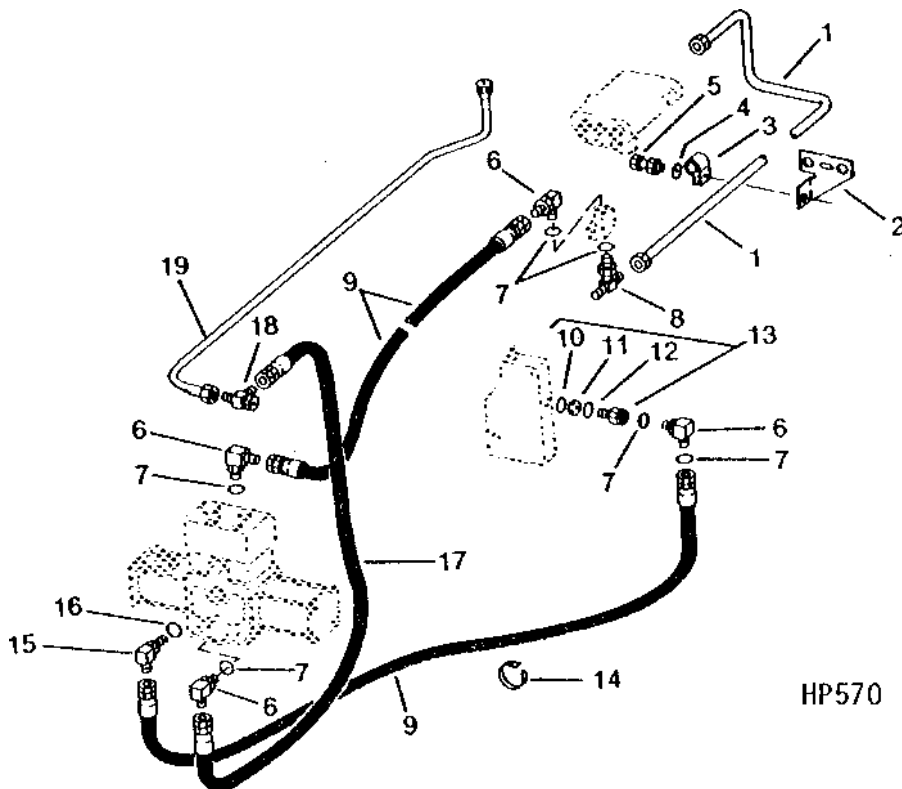
| KEY  | PART NO. | PART NAME     | QTY | SERIAL NO.    | REMARKS |
|--|----------|---------------|-----|---------------|---------|
| 1  | P46051   | O-RING        | 1   | (A)           |         |
| 2  | .....    | CONNECTOR     | 1   |               |         |
| 3  | .....    | SPRING        | 1   | (SUB AH89045) |         |
| 4  | .....    | POPPET        | 1   | (SUB AH89045) |         |
| 5  | .....    | WASHER        | AR  | (SUB AH89045) |         |
| 6  | T13119   | O-RING        | 1   | (A)           |         |
| 7  | N140001  | BACK-UP RING  | 1   | (A)           |         |
| 8  | R27166   | O-RING        | 1   | (A)           |         |
| 9  | AH101625 | CONTROL VALVE | 1   |               |         |
| KIT LISTED BELOW CONSISTS OF ALL PARTS IDENTIFIED BY AN (A): |          |               |     |               |         |
| ..   | AH78796  | SEAL KIT      | 1   |               |         |



# 2K9

AUGER SWING, AUTOMATIC HEADER HEIGHT LINES, AND  
DIAL-A-MATIC HEADER HEIGHT CONTROL)

HP570 -UN-01JAN94



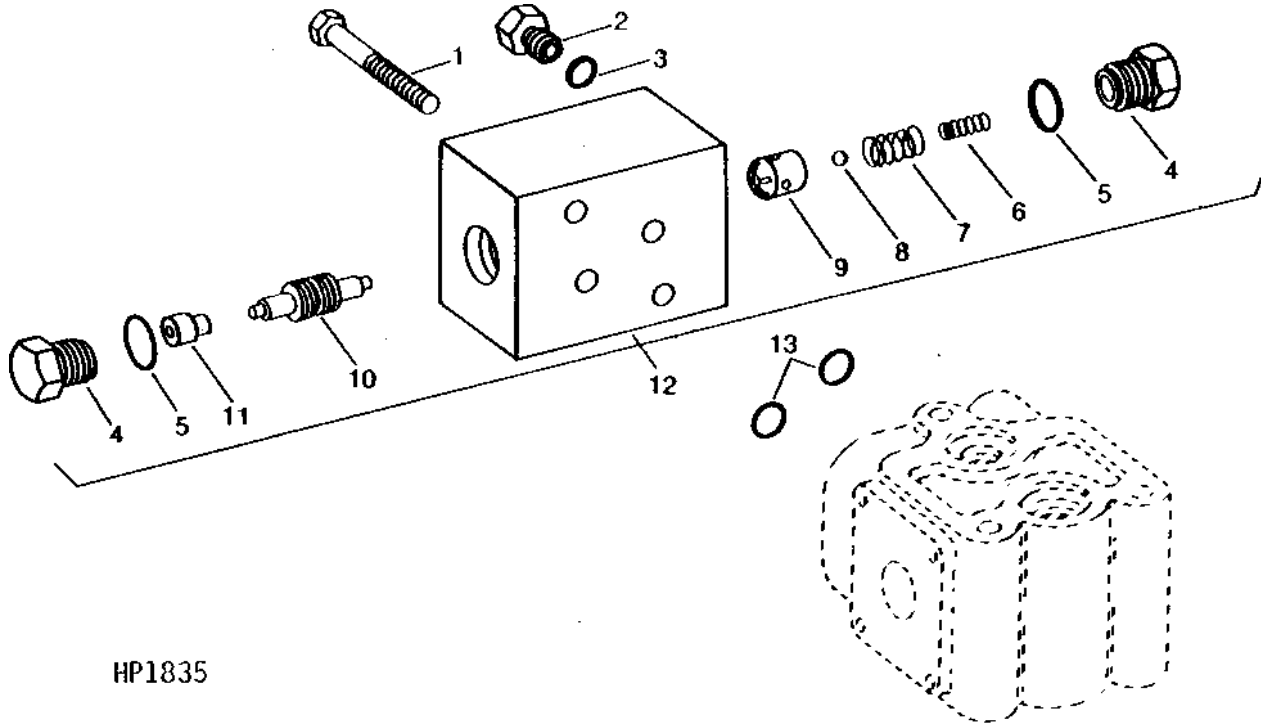
| KEY | PART NO. | PART NAME      | QTY | SERIAL NO.            | REMARKS  |
|-----|----------|----------------|-----|-----------------------|--|
| 1   | AH89609  | LINE           | 1   |                       | UPPER PLATFORM                                     |
| 2   | H88393   | BRACKET        | 1   |                       |  |
| 3   | AH76882  | CLIP           | 1   |                       |  |
| 4   | 24H1243  | WASHER         | 1   | 11/32" X 5/8" X 1/16" |  |
| 5   | 19H1900  | CAP SCREW      | 1   | 5/16" X 3/4"          |  |
|     | 12H303   | LOCK WASHER    | 1   | 5/16"                 |  |
|     | 14H785   | NUT            | 1   | 5/16"                 |  |
| 6   | AR26763  | ELBOW FITTING  | 5   | 90°                   |  |
| 7   | R26375   | O-RING         | 6   |                       |  |
| 8   | AR32667  | TEE FITTING    | 1   |                       |  |
| 9   | AH89607  | HYDRAULIC HOSE | 2   |                       |  |
| 10  | R28776   | O-RING         | 1   |                       | (WITH AUTOMATIC AND DIAL-A-MATIC HEADER HEIGHT)    |
| 11  | E41820   | WASHER         | 1   |                       | (WITH AUTOMATIC AND DIAL-A-MATIC HEADER HEIGHT)    |
| 12  | U40745   | O-RING         | 1   |                       | (WITH AUTOMATIC AND DIAL-A-MATIC HEADER HEIGHT)    |
| 13  | AH89356  | PIPE PLUG      | 1   |                       | (WITH AUTOMATIC AND DIAL-A-MATIC HEADER HEIGHT)    |
|     | R39112   | FITTING        | 1   |                       | (WITHOUT AUTOMATIC AND DIAL-A-MATIC HEADER HEIGHT) |
|     | R26375   | O-RING         | 1   |                       | (WITHOUT AUTOMATIC AND DIAL-A-MATIC HEADER HEIGHT) |
| 14  | M66044   | TIE BAND       | 1   |                       |  |
| 15  | AR37017  | ELBOW FITTING  | 1   | -610100               | (SUB AT35120)                                      |
|     | AT35120  | ELBOW FITTING  | 1   |                       | 90°  |
| 16  | R26448   | O-RING         | 1   |                       |  |
| 17  | AH89613  | HYDRAULIC HOSE | 1   |                       |  |
| 18  | AN33434  | TEE FITTING    | 1   |                       |  |
| 19  | AH89610  | LINE           | 1   |                       |  |

# 2K10

HEADER HEIGHT CONTROL

## CHECK BLOCK (AUTOMATIC HEADER HEIGHT CONTROL AND DIAL-A-MATIC HEADER HEIGHT CONTROL)

HP1835 -UN-01JAN94



HP1835

| KEY  | PART NO. | PART NAME   | QTY | SERIAL NO.        | REMARKS |
|--|----------|-------------|-----|-------------------|---------|
| 1  | 19H1901  | CAP SCREW   | 2   | 5/16" X 2"        |         |
| 2  | R39112   | FITTING     | 1   |                   |         |
| 3  | R26375   | O-RING      | 1   |                   |         |
| 4  | H89339   | FITTING     | 2   |                   |         |
| 5  | R26375   | O-RING      | 1   | (A)               |         |
| 6  | .....    | SPRING      | 1   | (A) (SUB AH90688) |         |
| 7  | .....    | SPRING      | 1   | (A) (SUB AH90688) |         |
| 8  | .....    | BALL CHECK  | 1   | (A) (SUB AH90688) |         |
| 9  | .....    | POPPET      | 1   | (A) (SUB AH90688) |         |
| 10   | .....    | SPOOL       | 1   | (SUB AH90892)     |         |
| 11   | H89768   | SPACER      | 1   |                   |         |
| 12   | AH90892  | VALVE       | 1   |                   |         |
| 13   | H81608   | O-RING      | 2   | (A)               |         |
| KIT LISTED BELOW CONSISTS OF ALL PARTS IDENTIFIED BY AN (A): |          |             |     |                   |         |
| ..   | AH90688  | TUNE-UP KIT | 1   |                   |         |

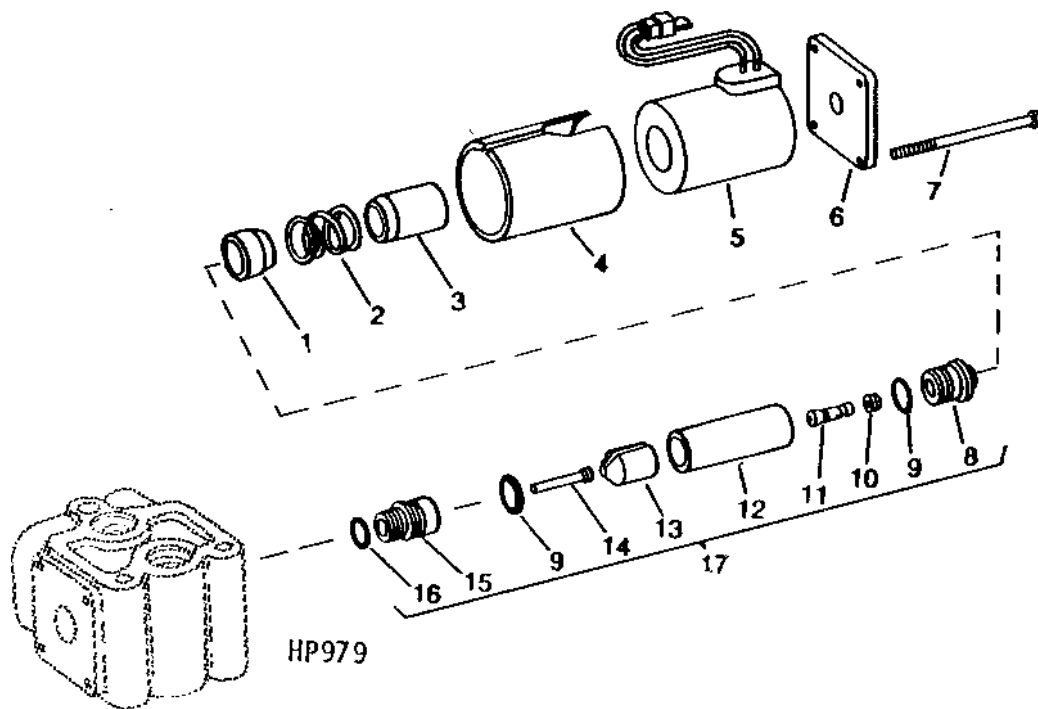
# 2K11

HEADER HEIGHT CONTROL

## COIL FOR SOLENOID CONTROL VALVE (AUTOMATIC HEADER HEIGHT CONTROL AND DIAL-A-MATIC HEADER HEIGHT CONTROL)

HP979

-UN-01JAN94



| KEY | PART NO. | PART NAME       | QTY | SERIAL NO. | REMARKS        |
|-----|----------|-----------------|-----|------------|----------------|
| 1   | .....    | SPOOL           | 1   |            |                |
| 2   | .....    | SPRING          | 1   |            |                |
| 3   | .....    | SPOOL           | 1   |            |                |
| 4   | .....    | CASE            | 1   |            |                |
| 5   | AH90690  | ELECTRICAL COIL | 1   | -450000    | (SUB AH106625) |
|     | AH106625 | ELECTRICAL COIL | 2   |            |                |
| 6   | H89331   | PLATE           | 1   |            |                |
| 7   | H89769   | SCREW           | 4   |            |                |
| 8   | .....    | GUIDE           | 1   |            |                |
| 9   | H63283   | O-RING          | 2   |            |                |
| 10  | H89335   | RING            | 1   |            |                |
| 11  | .....    | PIN             | 1   |            |                |
| 12  | .....    | TUBE            | 1   |            |                |
| 13  | .....    | PLUNGER         | 1   |            |                |
| 14  | .....    | PIN             | 1   |            |                |
| 15  | .....    | BEARING CONE    | 1   |            |                |
| 16  | Z29304   | O-RING          | 1   |            |                |
| 17  | AH90683  | CAP             | 1   |            |                |
| ..  | AH90684  | KIT             | 1   |            |                |

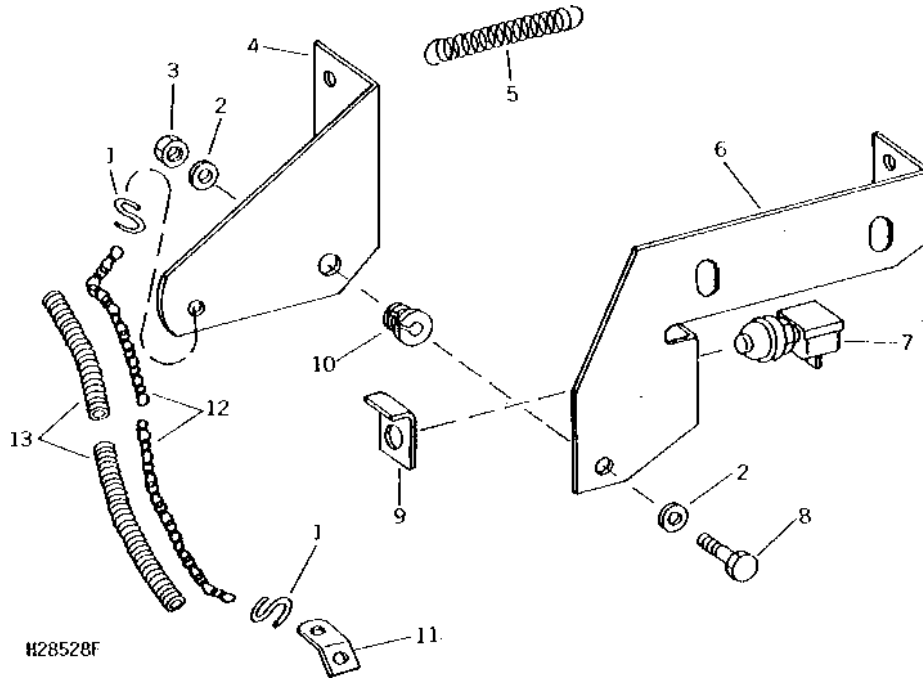
NOTE: QUANTITIES SHOWN ARE FOR ONE UNIT. TWO UNITS USED PER VALVE.

# 2K12

HEADER HEIGHT CONTROL

## ACTUATOR SWITCH AND MOUNTING (AUTOMATIC HEADER HEIGHT CONTROL AND DIAL-A-MATIC HEADER HEIGHT CONTROL)

H28528F -UN-01JAN94



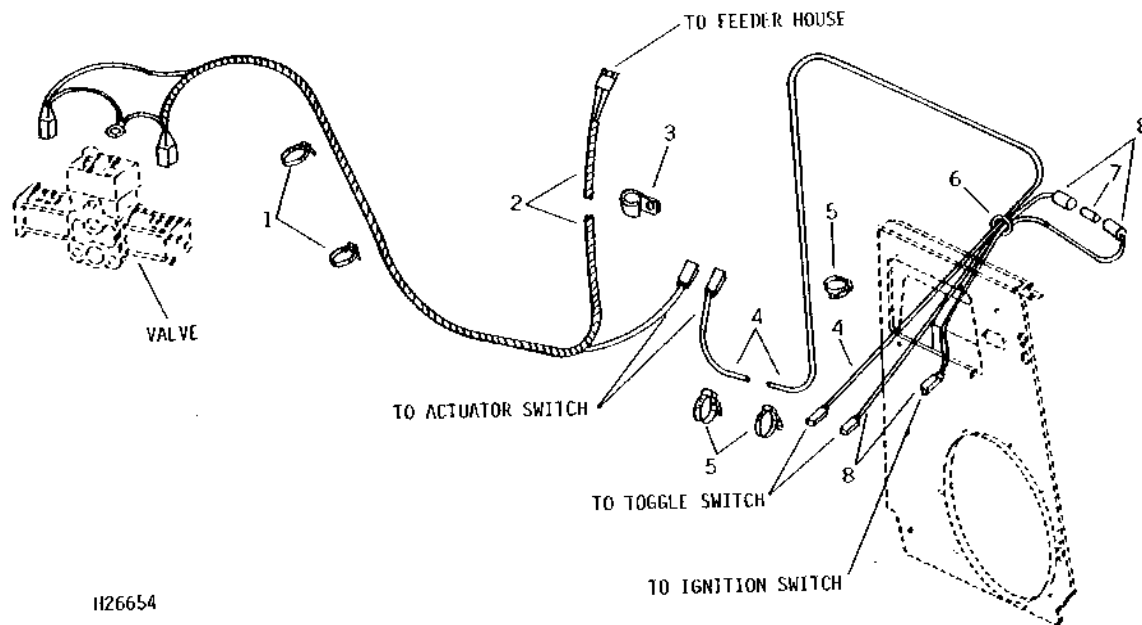
| KEY | PART NO. | PART NAME    | QTY | SERIAL NO. | REMARKS                  |
|-----|----------|--------------|-----|------------|--------------------------|
| 1   | H94623   | HOOK         | 2   |            |                          |
| 2   | 24H1136  | WASHER       | 2   |            | 11/32" X 11/16" X 0.065" |
| 3   | 14H850   | NUT          | 1   |            | 1/4"                     |
|     | 12H302   | LOCK WASHER  | 1   |            | 1/4"                     |
| 4   | H88984   | ARM          | 1   |            |                          |
| 5   | 17047    | SPRING       | 1   |            |                          |
| 6   | H88985   | PLATE        | 1   |            |                          |
| 7   | AH78765  | BRAKE SWITCH | 1   |            |                          |
| 8   | H100122  | BOLT         | 1   |            |                          |
| 9   | H89514   | STOP         | 1   |            |                          |
| 10  | H89515   | WASHER       | 1   |            |                          |
| 11  | H89870   | STOP         | 1   |            |                          |
| 12  | AH90798  | LINK CHAIN   | 1   |            |                          |
| 13  | H89522   | CONDUIT      | 1   |            |                          |

# 2K13

HEADER HEIGHT CONTROL

**WIRING HARNESS  
(AUTOMATIC HEADER HEIGHT CONTROL)  
(SERIAL NO. -500000)**

H26654 -UN-01JAN94



H26654

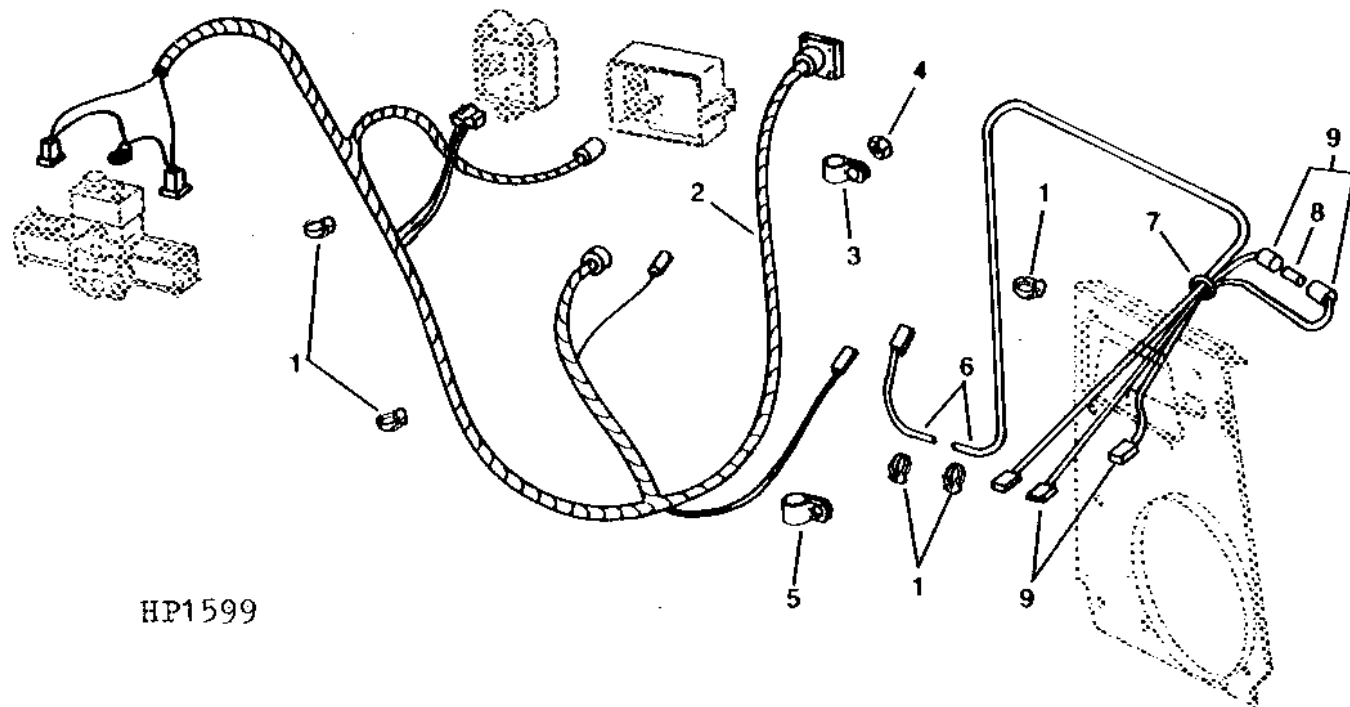
| KEY | PART NO. | PART NAME      | QTY | SERIAL NO.  | REMARKS |
|-----|----------|----------------|-----|-------------|---------|
| 1   | H77698   | TIE BAND       | 2   |             |         |
| 2   | AH89560  | WIRING HARNESS | 1   |             |         |
| 3   | AH89557  | CLIP           | 3   |             |         |
| 4   | AH89562  | WIRING HARNESS | 1   |             |         |
| 5   | R44302   | TIE BAND       | 3   |             |         |
| 6   | R1134R   | EYELET         | 1   |             |         |
| 7   | AH80089  | FUSE           | 1   |             |         |
| 8   | AH89563  | WIRING HARNESS | 1   | (WITH FUSE) |         |

# 2K14

HEADER HEIGHT CONTROL

**WIRING HARNESS  
(DIAL-A-MATIC HEADER HEIGHT CONTROL)  
(SERIAL NO. 500001- )**

HP1599 -UN-01JAN94



HP1599

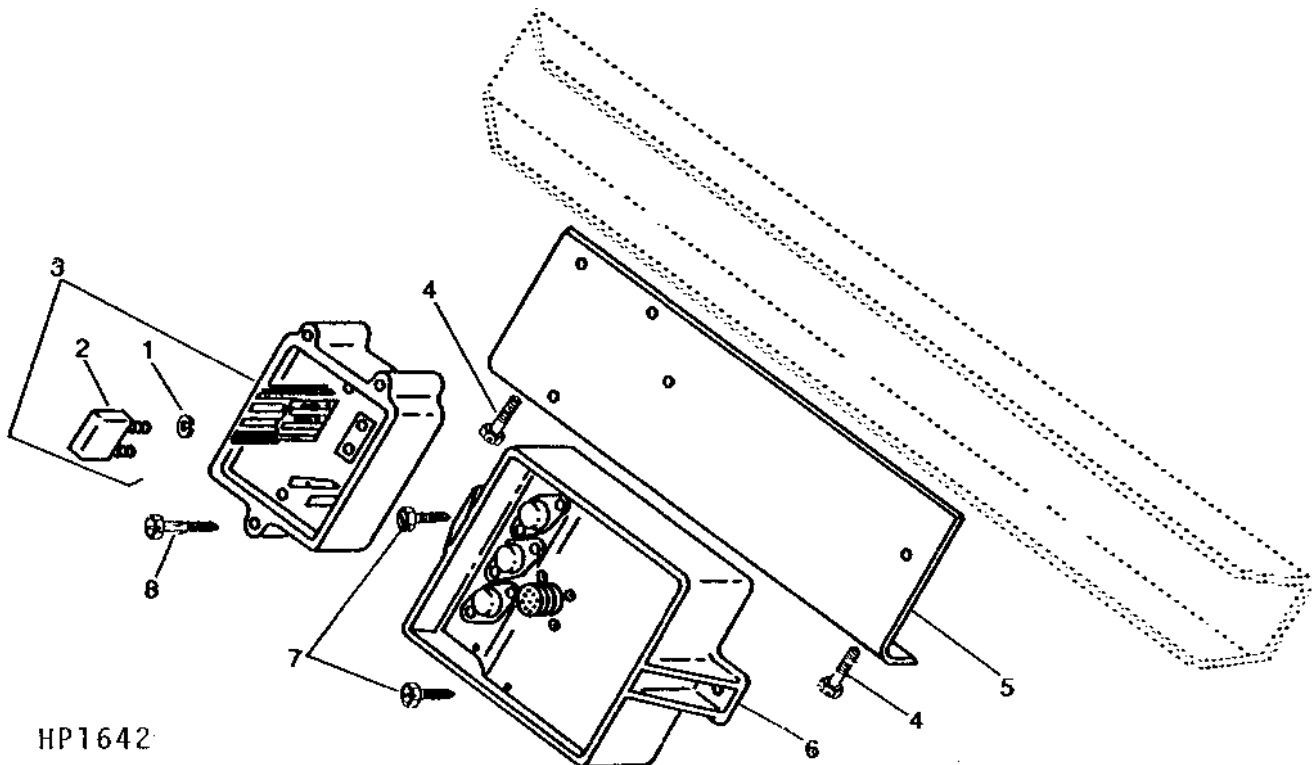
| KEY | PART NO. | PART NAME      | QTY | SERIAL NO.  | REMARKS |
|-----|----------|----------------|-----|-------------|---------|
| 1   | M66044   | TIE BAND       | 6   |             |         |
| 2   | AH109588 | WIRING HARNESS | 1   |             |         |
| 3   | AH89557  | CLIP           | 2   |             |         |
| 4   | 14H785   | NUT            | 2   | 5/16"       |         |
| 5   | R41465   | CLAMP          | 1   |             |         |
| 6   | AH109602 | WIRING LEAD    | 1   |             |         |
| 7   | R1134R   | EYELET         | 1   |             |         |
| 8   | AH80089  | FUSE           | 1   |             |         |
| 9   | AH89563  | WIRING HARNESS | 1   | (WITH FUSE) |         |

# 2K15

HEADER HEIGHT CONTROL

AMPLIFIER AND CIRCUIT BOX  
DIAL-A-MATIC HEADER HEIGHT CONTROL  
(SERIAL NO. 500001- )

HP1642 -UN-01JAN94



| KEY | PART NO. | PART NAME       | QTY | SERIAL NO.      | REMARKS        |
|-----|----------|-----------------|-----|-----------------|----------------|
| 1   | 12H295   | LOCK WASHER     | 2   | 0.190"          |                |
|     | 14H631   | NUT             | 2   | 0.190"          |                |
| 2   | AR56671  | CIRCUIT BREAKER | 1   |                 |                |
| 3   | AH108414 | PRINTED CIRCUIT | 1   |                 |                |
| 4   | H89266   | SCREW           | 2   |                 |                |
| 5   | H111374  | BRACKET         | 1   |                 |                |
| 6   | AH108742 | CONTROL         | 1   | -500372         | (SUB AH111485) |
|     | AH111485 | CONTROL         | 1   |                 |                |
| 7   | 37H24    | SCREW           | 2   | 1/4" X 3/4"     |                |
| 8   | 37H117   | SCREW           | 3   | NO. 10 X 1-1/4" |                |

---

MEMORANDA



---

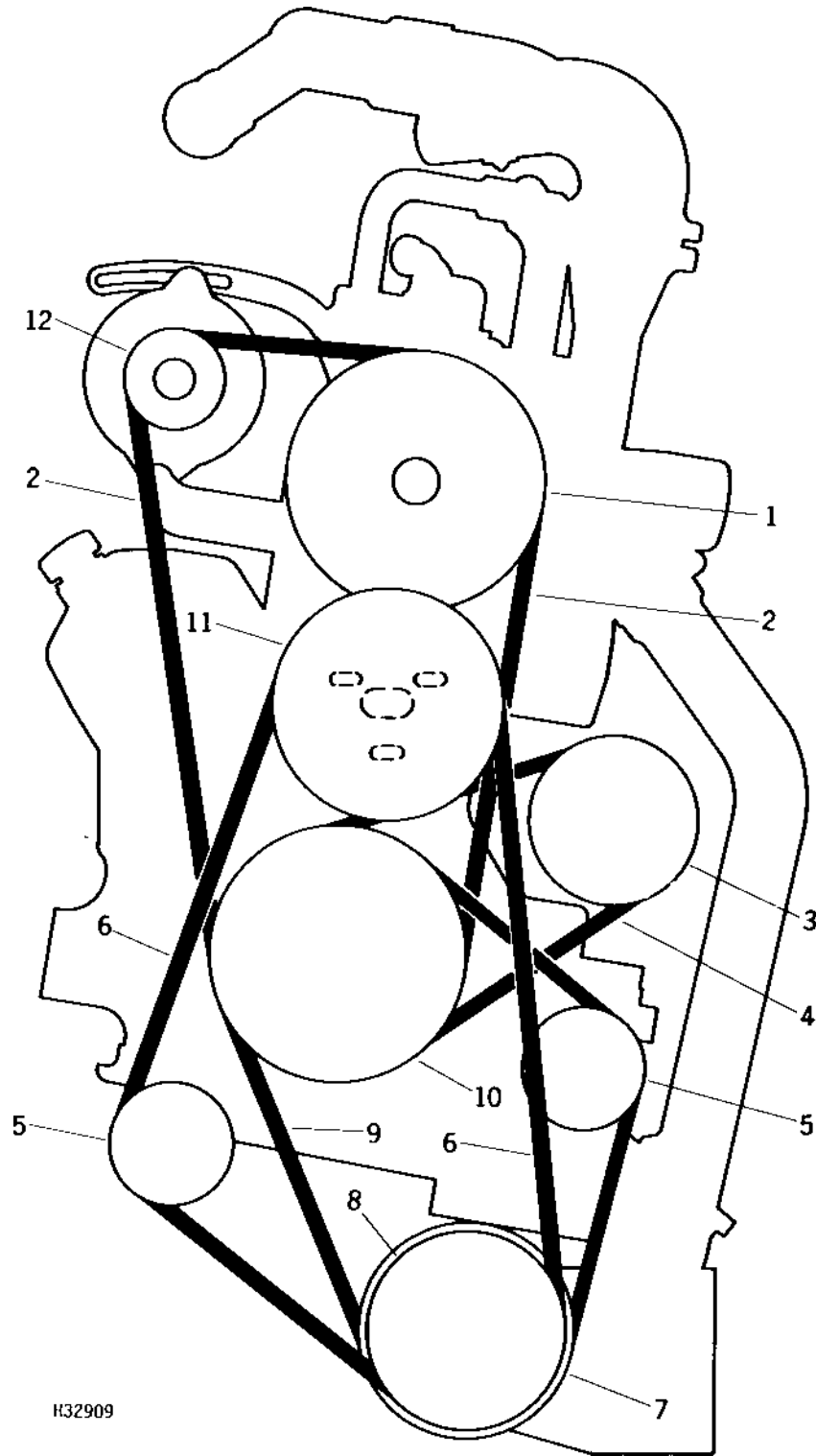
MEMORANDA

# 3A20

H32909

-UN-01JAN94

## ENGINE RIGHT-HAND SIDE-BELT, SHEAVES, AND TIGHTENERS



H32909

# 3A21

DECALS, BELTS, AND CHAINS

## ENGINE RIGHT-HAND SIDE-BELT, SHEAVES, AND TIGHTENERS - CONTINUED

| KEY | PART NO. | PART NAME | QTY | SERIAL NO. | REMARKS   |
|-----|----------|-----------|-----|------------|---|
| 1   | AR40148  | PULLEY    | 1   |            | DRIVEN, WATER PUMP, 124 MM (4-7/8") DIA.  |
| 2   | H82724   | BELT      | 1   | -550000    | ALTERNATOR AND WATER PUMP   |
|     | H101813  | BELT      | 1   | 550001-    | ALTERNATOR AND WATER PUMP   |
| 3   | AH85846  | SHEAVE    | 1   |            | DRIVEN, AIR COMPRESSOR, 152 MM (6")   |
| 4   | H86275   | BELT      | 1   |            | COMPRESSOR, AIR CONDITIONER   |
| 5   | AH77172  | IDLER     | 2   |            | TIGHTENER, ENGINE FAN AND ROTARY SCREEN DRIVE SHAFT, AND ENGINE FAN, 102 MM (4") DIA.             |
| 6   | H86271   | BELT      | 1   |            | ENGINE FAN (CAB WITHOUT AIR CONDITIONER)  |
|     | H94373   | BELT      | 1   |            | ENGINE FAN (CAB WITH AIR CONDITIONER)   |
| 7   | H86262   | SHEAVE    | 1   |            | DRIVEN, ENGINE FAN AND ROTARY SCREEN DRIVE SHAFT, 181 MM (7-1/8") DIA.                            |
| 8   | H86260   | SHEAVE    | 1   |            | DRIVE, ENGINE FAN, 168 MM (6-5/8") DIA. (CAB WITHOUT AIR CONDITIONER)                             |
|     | H86262   | SHEAVE    | 1   |            | 181 MM (7-1/8") DIA. (CAB WITH AIR CONDITIONER)   |
| 9   | H86275   | BELT      | 1   |            | ENGINE FAN AND ROTARY SCREEN DRIVE SHAFT  |
| 10  | R56788   | SHEAVE    | 1   |            | DRIVE, ENGINE FAN AND ROTARY SCREEN DRIVE SHAFT, WATER PUMP, AND ALTERNATOR, 165 MM (6-1/2") DIA. |
| 11  | AH85041  | SHEAVE    | 1   |            | DRIVEN, ENGINE FAN, 196 MM (7-23/32") DIA.  |
| 12  | H93619   | PULLEY    | 1   |            | DRIVEN, ALTERNATOR, 76 MM (3") DIA.   |

---

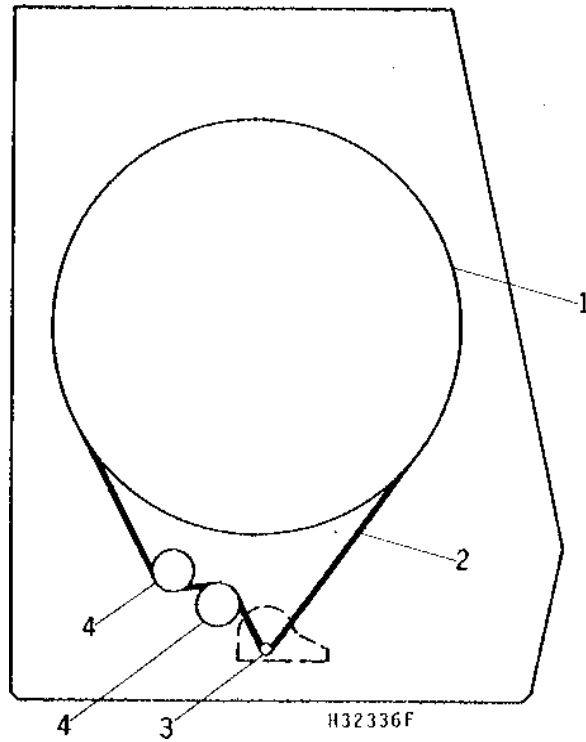
MEMORANDA

# 3A22

DECALS, BELTS, AND CHAINS

H32336F -UN-01JAN94

## ROTARY SCREEN DISK, BELT, AND TIGHTENERS



| KEY | PART NO. | PART NAME | QTY | SERIAL NO. | REMARKS                             |
|-----|----------|-----------|-----|------------|-------------------------------------|
| 1   | AH95373  | SCREEN    | 1   |            |                                     |
| 2   | H86259   | BELT      | 1   |            |                                     |
| 3   | H96509   | SHEAVE    | 1   |            | DRIVE, GROOVED, 29 MM (1-1/8") DIA. |
| 4   | AH87929  | SHEAVE    | 2   |            | 78 MM (3-1/16") DIA.                |

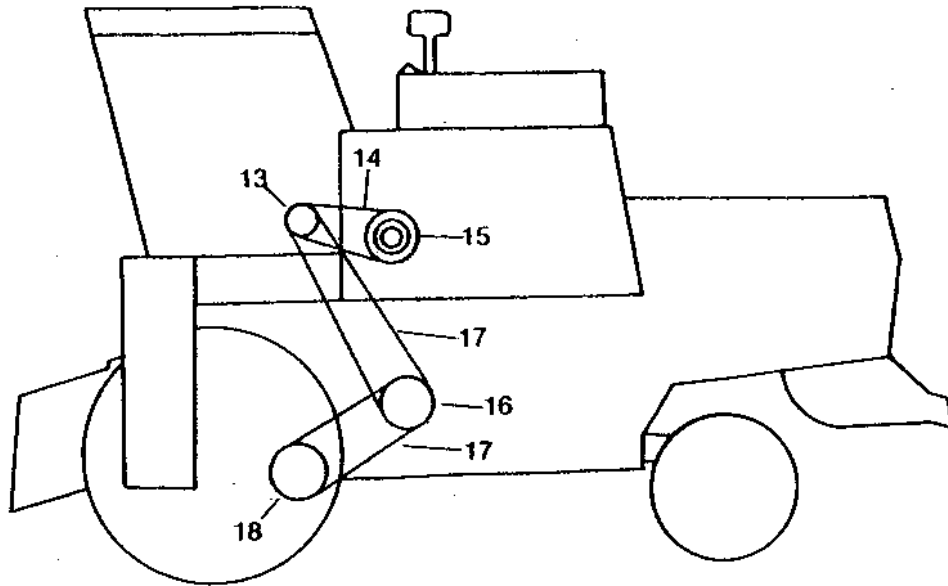
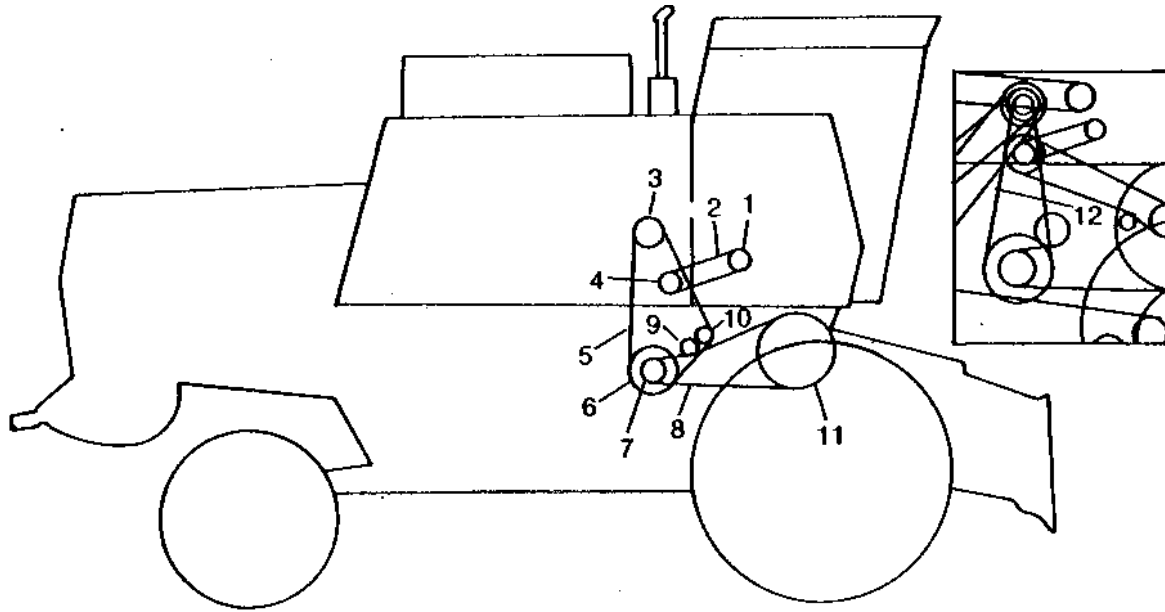
# 3A23

DECALS, BELTS, AND CHAINS

## PRIMARY COUNTERSHAFT, BELTS, SHEAVES, SPROCKETS, CHAIN, AND TIGHTENERS

HP1959

-UN-01JAN94



HP1959

**PRIMARY COUNTERSHAFT, BELTS, SHEAVES, SPROCKETS, CHAIN, AND TIGHTENERS  
--CONTINUED**

| KEY | PART NO. | PART NAME      | QTY | SERIAL NO. | REMARKS   |
|-----|----------|----------------|-----|------------|---|
| 1   | H100585  | SHEAVE         | 1   |            | DRIVEN, CYLINDER TACHOMETER, 76 MM (3") DIA.  |
| 2   | H83078   | O-RING         | 1   |            | CYLINDER, TACHOMETER  |
| 3   | AH84845  | SHEAVE         | 1   |            | SLIDING, PRIMARY COUNTERSHAFT CYLINDER DRIVE,<br>356 MM (14") DIA. (MARKED H75008)  |
|     | AH84885  | SHEAVE         | 1   |            | FIXED, PRIMARY COUNTERSHAFT CYLINDER DRIVE,<br>356 MM (14-1/32") DIA. (MARKED H84417)   |
|     | H85441   | CHAIN SPROCKET | 1   |            | DRIVE, INTERMEDIATE CYLINDER, 21 TEETH (SLOW<br>SPEED) (153 RPM)  |
|     | H85442   | CHAIN SPROCKET | 1   |            | DRIVE, INTERMEDIATE CYLINDER, 25 TEETH (SLOW<br>SPEED) (182 RPM)  |
| 4   | H97481   | SHEAVE         | 1   |            | DRIVE, CYLINDER TACHOMETER, 76 MM (3") DIA.   |
| 5   | H75816   | BELT           | 1   |            | CYLINDER INTERMEDIATE SHAFT   |
| 6   | AH75294  | SHEAVE         | 1   |            | SLIDING, DRIVEN, INTERMEDIATE CYLINDER, 356<br>MM (14-1/32") DIA.   |
|     | AH75293  | SHEAVE         | 1   |            | FIXED, DRIVEN, INTERMEDIATE CYLINDER, 356 MM<br>(14-1/32") DIA.   |
|     | H85448   | CHAIN SPROCKET | 1   |            | DRIVEN, INTERMEDIATE CYLINDER, 77 TEETH (SLOW<br>SPEED)   |
| 7   | H79647   | SHEAVE         | 1   |            | DRIVE, CYLINDER, 215 MM (8-29/64") DIA. (HIGH<br>SPEED)   |
|     | H79646   | SHEAVE         | 1   |            | DRIVE, CYLINDER, 174 MM (6-55/64") DIA. (SLOW<br>SPEED)   |
| 8   | AH80500  | BELT SET       | 1   |            | CYLINDER (MATCHED SET OF THREE)   |
| 9   | AH86835  | SHEAVE         | 1   |            | TIGHTENER, CYLINDER DRIVE, 165 MM (6-1/2")<br>DIA.  |
| 10  | AH86839  | IDLER          | 1   |            | TIGHTENER, INTERMEDIATE CYLINDER DRIVE, 165<br>MM (6-1/2") DIA.   |
| 11  | H84542   | SHEAVE         | 1   |            | DRIVEN, CYLINDER, 467 MM (18-25/64") DIA.   |
| 12  | .....    | LINK CHAIN     | 1   |            | DRIVE, ROLLER, TYPE 50-2, 16 MM (5/8") DOUBLE<br>WIDTH, 126 LINKS (INTERMEDIATE SHAFT)<br>(ASSEMBLE WITH 124 LINKS FROM AH66615 AND<br>(2) AP15291) (SLOW SPEED CYLINDER DRIVE) |
| 13  | H84106   | SHEAVE         | 1   |            | ENGINE, POWERSHAFT, 227 MM, 232 MM, AND 181<br>MM (8-15/16", 9-1/8", AND 7-1/8") DIAS.  |
| 14  | AH98052  | BELT SET       | 1   |            | PRIMARY COUNTERSHAFT (MATCHED PAIR)   |
| 15  | H96848   | SHEAVE         | 1   |            | 402 MM (15-53/64") DIA.   |
| 16  | H75855   | SHEAVE         | 2   | -500209    | HALF, PROPULSION COUNTERSHAFT, 397 MM<br>(15-5/8") DIA. (SUB H112547)   |
|     | H112547  | SHEAVE         | 2   |            | HALF, PROPULSION COUNTERSHAFT, 397 MM<br>(15-5/8") DIA.   |
|     | AH85700  | CENTER SHEAVE  | 1   |            | CENTER, PROPULSION COUNTERSHAFT, 397 MM<br>(15-5/8") DIA.   |
| 17  | H75847   | BELT           | 2   |            | PROPULSION (BELT DRIVE)   |
| 18  | H75833   | SHEAVE         | 1   |            | DRIVEN, LOWER PROPULSION, 356 MM (14") DIA.   |

---

MEMORANDA

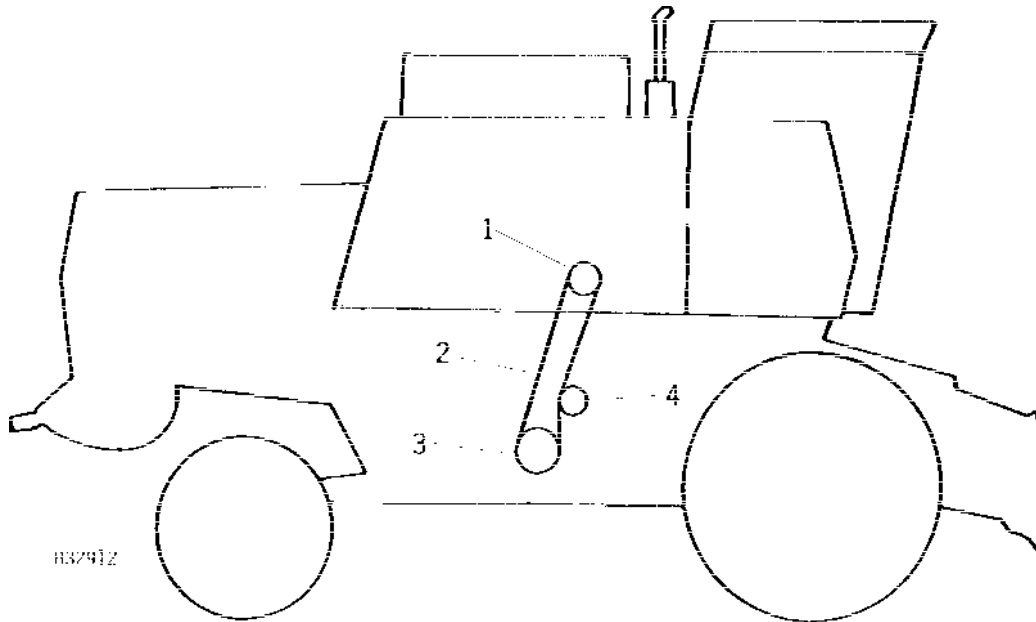


# 3A25

DECALS, BELTS, AND CHAINS

H32912 -UN-01JAN94

## SECONDARY COUNTERSHAFT SHEAVES AND BELT



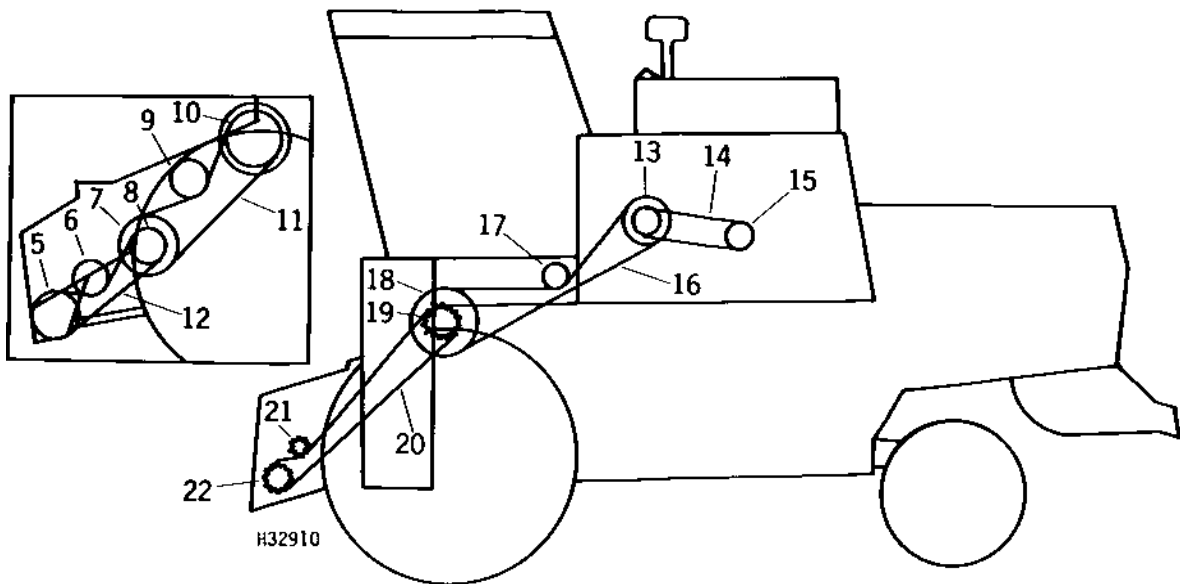
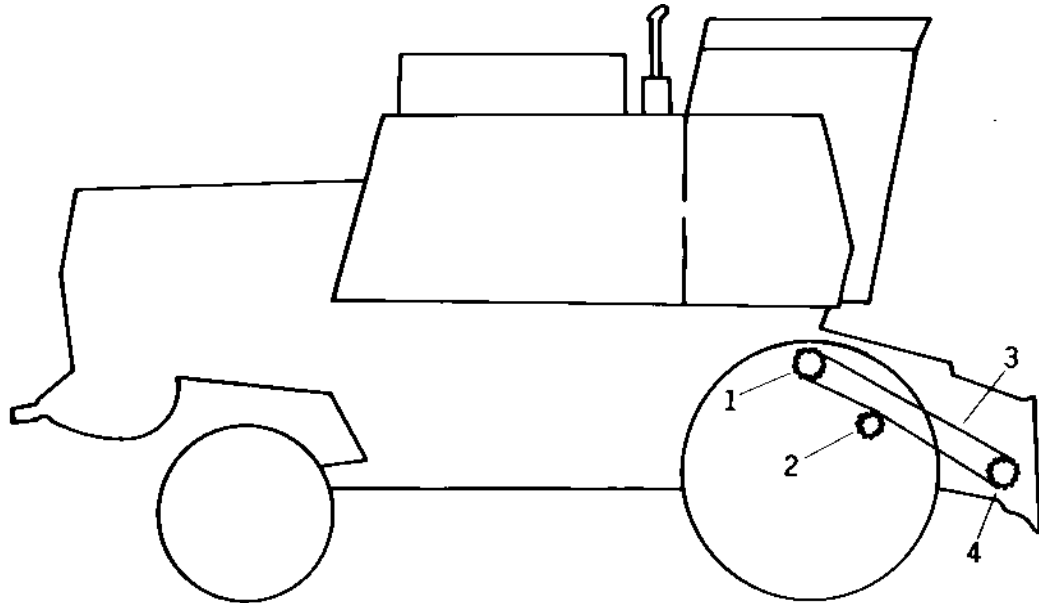
| KEY | PART NO. | PART NAME | QTY | SERIAL NO. | REMARKS  |
|-----|----------|-----------|-----|------------|--|
| 1   | H84103   | SHEAVE    | 1   |            | DRIVE, PRIMARY COUNTERSHAFT AND FRONT STRAW CHOPPER, 185 MM AND 279 MM (7-9/32" AND 11") DIAS. |
| 2   | H80103   | BELT      | 1   |            | SECONDARY COUNTERSHAFT   |
| 3   | AH76140  | SHEAVE    | 1   |            | DRIVEN, SECONDARY COUNTERSHAFT, 502 MM (19-3/4") DIA.  |
| 4   | AH85276  | PULLEY    | 1   |            | TIGHTENER, SECONDARY COUNTERSHAFT DRIVE, 229 MM (9") DIA.                                      |

# 3B1

## FEEDER HOUSE DRIVE SHEAVES, SPROCKETS, BELTS, AND CHAINS

H32910

-UN-01JAN94



# 3B2

DECALS, BELTS, AND CHAINS

## FEEDER HOUSE DRIVE SHEAVES, SPROCKETS, BELTS, AND CHAINS - CONTINUED

| KEY | PART NO. | PART NAME      | QTY | SERIAL NO. | REMARKS  |
|-----|----------|----------------|-----|------------|--|
| 1   | H80845   | CHAIN SPROCKET | 1   |            | DRIVEN, FEEDER CONVEYOR, 35 TEETH  |
| 2   | AH98176  | CHAIN SPROCKET | 1   |            | TIGHTENER, FEEDER CONVEYOR DRIVE, 17 TEETH   |
| 3   | .....    | LINK CHAIN     | 1   |            | DRIVE, ROLLER, TYPE 50, 16 MM (5/8") PITCH,<br>225 LINKS (FEEDER CONVEYOR) (ASSEMBLE FROM<br>(4) AP6093H AND AP6094H)                              |
| 4   | AH101146 | CHAIN SPROCKET | 1   |            | DRIVE, FEEDER CONVEYOR, 18 AND 29 TEETH  |
| 5   | H76851   | SHEAVE         | 1   |            | DRIVEN, PLATFORM AND FEEDER HOUSE VARIABLE<br>BELT LOWER, 298 MM (11-3/8") DIA. (LONG<br>FEEDER HOUSE)   |
| 6   | AH86835  | SHEAVE         | 1   |            | TIGHTENER, PLATFORM AND FEEDER HOUSE VARIABLE<br>DRIVE LOWER BELT, 165 MM (6-1/2") DIA.  |
| 7   | AH84613  | SHEAVE         | 1   |            | OUTER, 377 MM (14-55/64") DIA., WITH BUSHINGS<br>AND SNAP RING, (MARKED H84201)  |
|     | AH83817  | SHEAVE         | 1   |            | OUTER, 377 MM (14-55/64") DIA., WITH BUSHINGS<br>AND SNAP RING, (MARKED H83722)  |
| 8   | H76848   | SHEAVE         | 1   |            | DRIVE, PLATFORM AND FEEDER HOUSE VARIABLE<br>BELT MIDDLE, 216 MM (8-1/2") DIA.   |
| 9   | AH85276  | PULLEY         | 1   |            | TIGHTENER, PLATFORM AND FEEDER HOUSE VARIABLE<br>DRIVE MIDDLE BELT, 229 MM (9") DIA.   |
| 10  | AH83815  | SHEAVE         | 1   |            | INNER, 437 MM (17-3/16") DIA., WITH DRIVE<br>PINS, (MARKED H83720)   |
|     | AH84613  | SHEAVE         | 1   |            | OUTER, 377 MM (14-55/64") DIA., WITH BUSHINGS<br>AND SNAP RING, (MARKED H84201)  |
| 11  | P46553   | BELT           | 1   |            | PLATFORM AND CORN HEAD MIDDLE VARIABLE   |
| 12  | AH87197  | BELT SET       | 1   |            | PLATFORM AND CORN HEAD LOWER VARIABLE<br>(MATCHED SET OF 3)  |
|     | AH76154  | BELT SET       | 1   |            | PLATFORM, RICE, GRAIN, CORN FEEDER HOUSE<br>LOWER VARIABLE (MATCHED SET OF 3) (LONG<br>FEEDER HOUSE)   |
| 13  | H77392   | SHEAVE         | 1   |            | DRIVE, PLATFORM AND FEEDER HOUSE AND<br>HYDROSTATIC DRIVE REEL PUMP, 229 MM (9")<br>DIA. (WITHOUT ELECTROMAGNETIC CLUTCH)                          |
|     | AH96107  | SHEAVE         | 1   |            | DRIVE, PLATFORM AND FEEDER HOUSE AND<br>HYDROSTATIC DRIVE REEL PUMP, 229 MM (9")<br>DIA. (WITH ELECTROMAGNETIC CLUTCH) (MARKED<br>H97311)          |
| 14  | H77683   | BELT           | 1   |            | HYDROSTATIC REEL PUMP  |
| 15  | AH83518  | SHEAVE         | 1   |            | DRIVEN, HYDROSTATIC DRIVE REEL PUMP, 178 MM<br>(7") DIA.   |
| 16  | H76028   | BELT           | 1   |            | PLATFORM AND FEEDER HOUSE UPPER  |
| 17  | AH85276  | PULLEY         | 1   |            | TIGHTENER, PLATFORM AND FEEDER HOUSE UPPER<br>DRIVE, 229 MM (9") DIA.  |
| 18  | AH75979  | SHEAVE         | 1   |            | DRIVEN, PLATFORM AND FEEDER HOUSE UPPER<br>CHAIN, 440 MM (17-5/16") DIA.   |
| 19  | H77967   | CHAIN SPROCKET | 1   |            | DRIVE, PLATFORM AND FEEDER HOUSE LOWER CHAIN,<br>18 TEETH  |
| 20  | .....    | LINK CHAIN     | 1   |            | DRIVE, ROLLER, TYPE 80, 25 MM (1") PITCH, 146<br>LINKS (PLATFORM AND CORN HEAD) (ASSEMBLE<br>FROM (2) AJ2765H, AJ2766H, (2) AJ2767H AND<br>J4217H) |
| 21  | AH20447  | CHAIN SPROCKET | 1   |            | TIGHTENER, PLATFORM AND FEEDER HOUSE CHAIN<br>DRIVE, 12 TEETH  |
| 22  | H77951   | CHAIN SPROCKET | 1   |            | DRIVEN, PLATFORM AND FEEDER HOUSE CHAIN, 29<br>TEETH   |
|     | H77950   | CHAIN SPROCKET | 1   |            | DRIVEN, PLATFORM AND FEEDER HOUSE CHAIN, 18<br>TEETH   |
|     | H77979   | CHAIN SPROCKET | 1   |            | DRIVE, FEEDER CONVEYOR, 22 TEETH   |

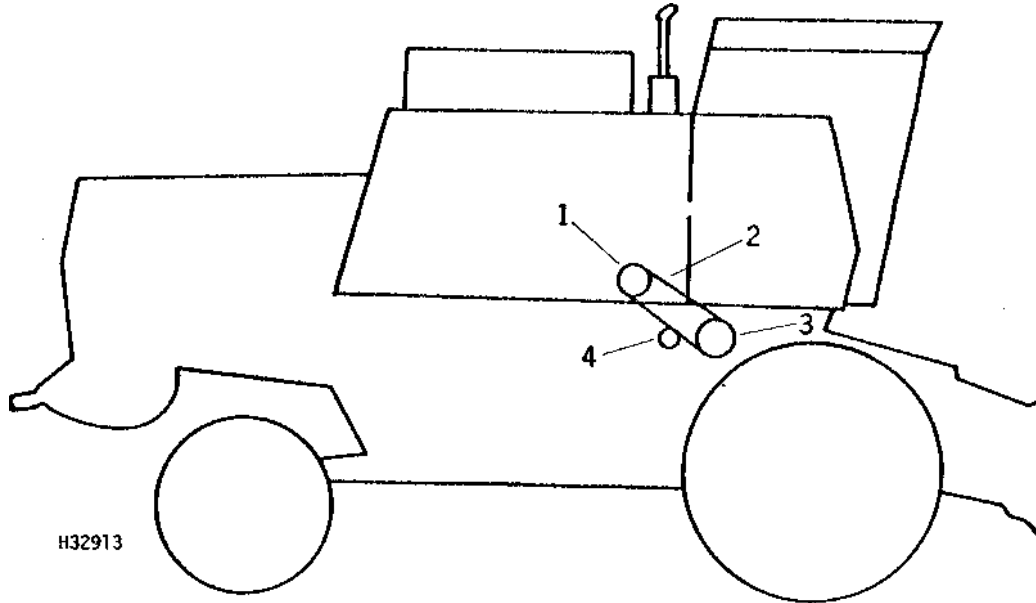
# 3B3

DECALS, BELTS, AND CHAINS

H32913

-UN-01JAN94

## BEATER DRIVE SHEAVES AND BELTS



H32913

| KEY | PART NO. | PART NAME | QTY | SERIAL NO. | REMARKS  |
|-----|----------|-----------|-----|------------|--|
| 1   | AH87155  | SHEAVE    | 1   |            | DRIVEN, BEATER, 229 MM (9") DIA. (100 PER CENT BEATER SPEED) |
|     | AH100302 | SHEAVE    | 1   |            | DRIVEN, BEATER, 178 MM (7") DIA. (150 PER CENT BEATER SPEED) |
| 2   | H86039   | BELT      | 1   |            | BEATER (100 PER CENT BEATER SPEED)                           |
|     | H101352  | BELT      | 1   |            | BEATER (150 PER CENT BEATER SPEED)                           |
| 3   | AH80755  | SHEAVE    | 1   |            | DRIVE, BEATER, 229 MM (9") DIA. (100 PER CENT BEATER SPEED)  |
|     | AH100303 | SHEAVE    | 1   |            | DRIVE, BEATER, 254 MM (10") DIA. (150 PER CENT BEATER SPEED) |
| 4   | AH80757  | SHEAVE    | 1   |            | BEATER DRIVE, 140 MM (5-1/2") DIA.                           |

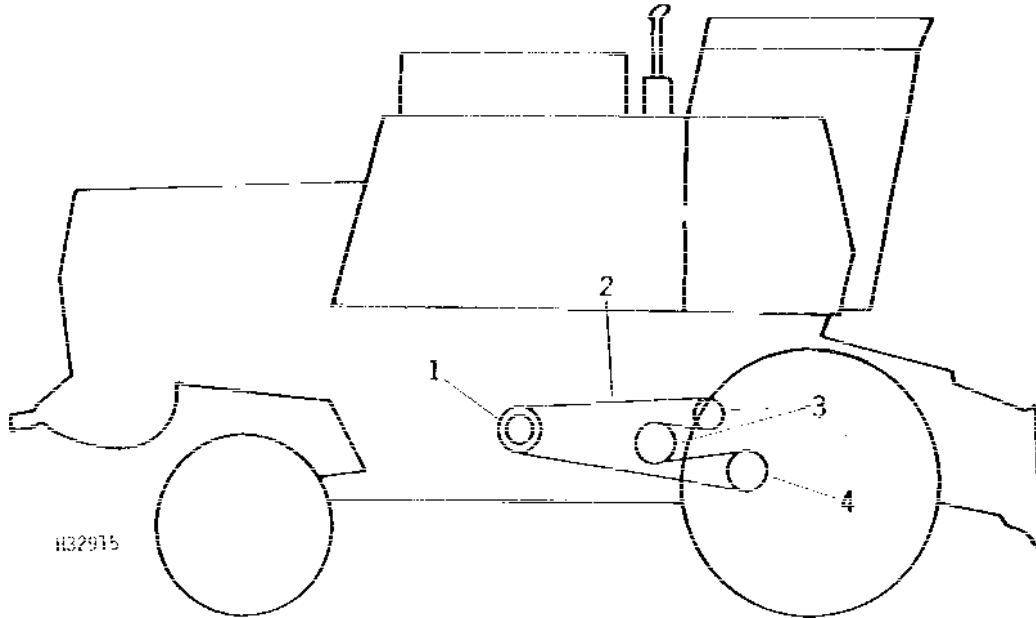
# 3B4

DECALS, BELTS, AND CHAINS

H32915

-UN-01JAN94

## SHOE GRAIN SUPPLY AUGERS DRIVE SHEAVES AND BELT



| KEY | PART NO. | PART NAME | QTY | SERIAL NO. | REMARKS   |
|-----|----------|-----------|-----|------------|---|
| 1   | H77263   | SHEAVE    | 1   |            | DRIVE, TAILINGS AUGER AND SHOE GRAIN SUPPLY AUGERS, 162 MM AND 184 MM (6-3/8" AND 7-1/4") DIAS. |
| 2   | H79285   | BELT      | 1   |            | SHOE GRAIN SUPPLY AUGERS  |
| 3   | AH14097  | SHEAVE    | 2   |            | TIGHTENER, SHOE GRAIN SUPPLY AUGERS DRIVE, 178 MM (7") DIA.                                     |
| 4   | H83081   | SHEAVE    | 1   |            | DRIVEN, SHOE GRAIN SUPPLY AUGERS, 241 MM (9-1/2") DIA.  |

---

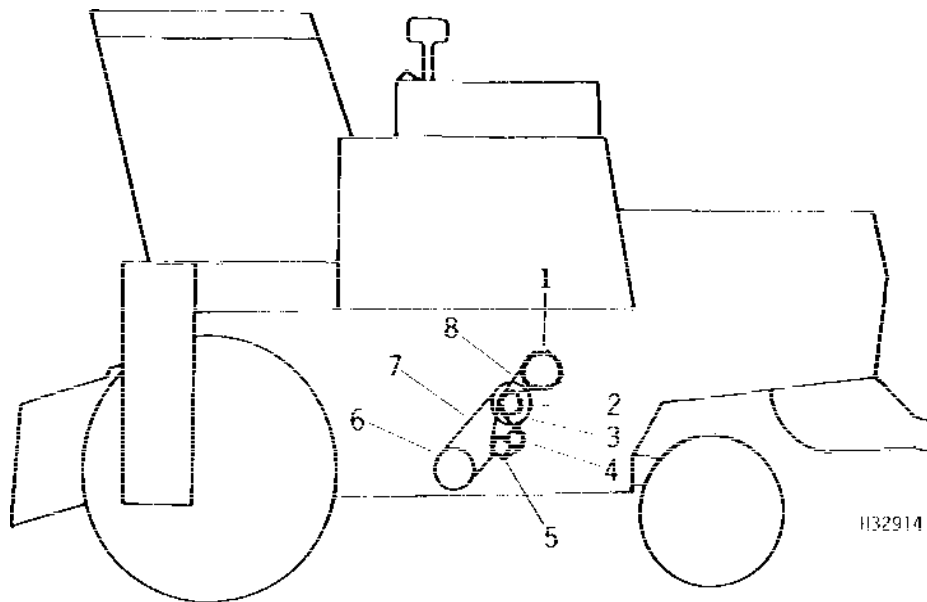
MEMORANDA

# 3B5

DECALS, BELTS, AND CHAINS

## CLEANING FAN, CLEANING SHOE, AND STRAW WALKER DRIVES

H32914 -UN-01JAN94



| KEY | PART NO. | PART NAME      | QTY | SERIAL NO. | REMARKS  |
|-----|----------|----------------|-----|------------|--|
| 1   | H76434   | CHAIN SPROCKET | 1   |            | DRIVE, STRAW WALKER, 49 TEETH  |
| 2   | AH84242  | CHAIN SPROCKET | 1   |            | DRIVE, SHOE AND STRAW WALKER, 15 TEETH   |
| 3   | AH100010 | SHEAVE         | 1   |            | SLIDING, DRIVEN, CLEANING FAN, 256 MM (10-1/16") DIA. (MARKED H100794)   |
|     | H80724   | HALF SHEAVE    | 1   |            | FIXED, DRIVE, CLEANING FAN, 256 MM (10-1/16") DIA.   |
| 4   | AH21440  | CHAIN SPROCKET | 1   |            | TIGHTENER, SHOE AND STRAW WALKER DRIVE, 17 TEETH   |
| 5   | H78523   | CHAIN SPROCKET | 1   |            | DRIVEN, SHOE PITMAN, 27 TEETH  |
| 6   | H97703   | SHEAVE         | 1   |            | FIXED, DRIVEN, CLEANING FAN, 213 MM (8-3/8") DIA.  |
|     | AH100009 | SHEAVE         | 1   |            | SLIDING, DRIVEN, CLEANING FAN, 213 MM (8-3/8") DIA. (MARKED H100793)   |
| 7   | H80726   | BELT           | 1   |            | CLEANING FAN   |
| 8   | .....    | LINK CHAIN     | 1   |            | DRIVE, ROLLER, TYPE 50, 16 MM (5/8") PITCH, 136 LINKS (SHOE AND STRAW WALKER) (ASSEMBLE FROM (2) AP6093H, AP6094H, AP6095H AND P20352) |

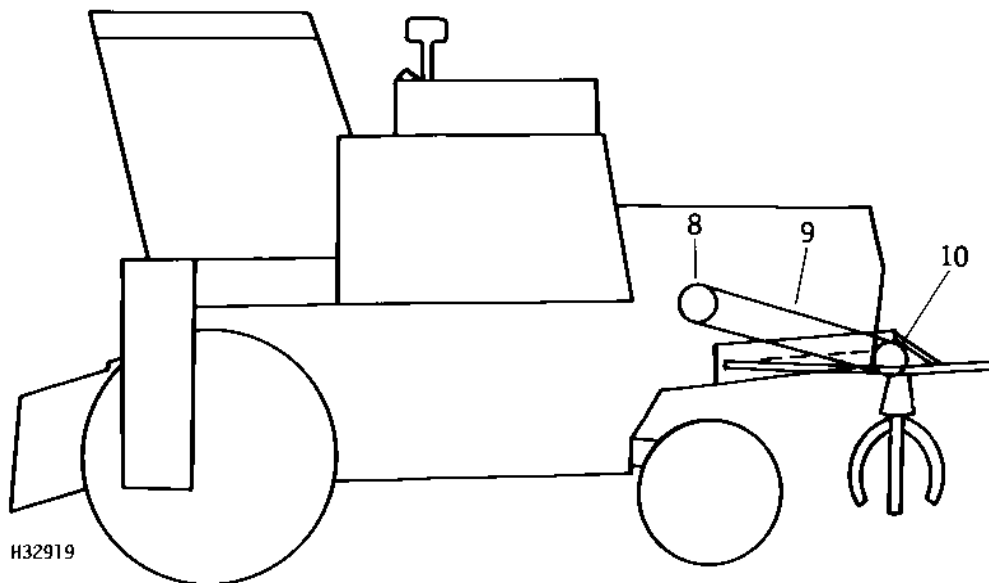
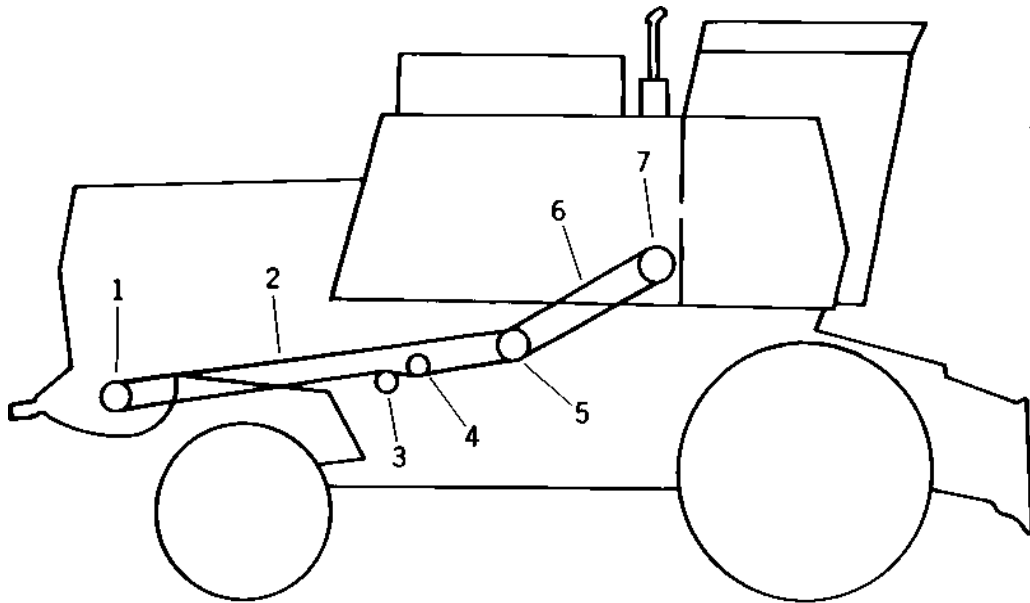
# 3B6

DECALS, BELTS, AND CHAINS

H32919

-UN-01JAN94

## STRAW CHOPPER AND STRAW SPREADER DRIVES



H32919



# 3B7

DECALS, BELTS, AND CHAINS

## STRAW CHOPPER AND STRAW SPREADER DRIVES - CONTINUED

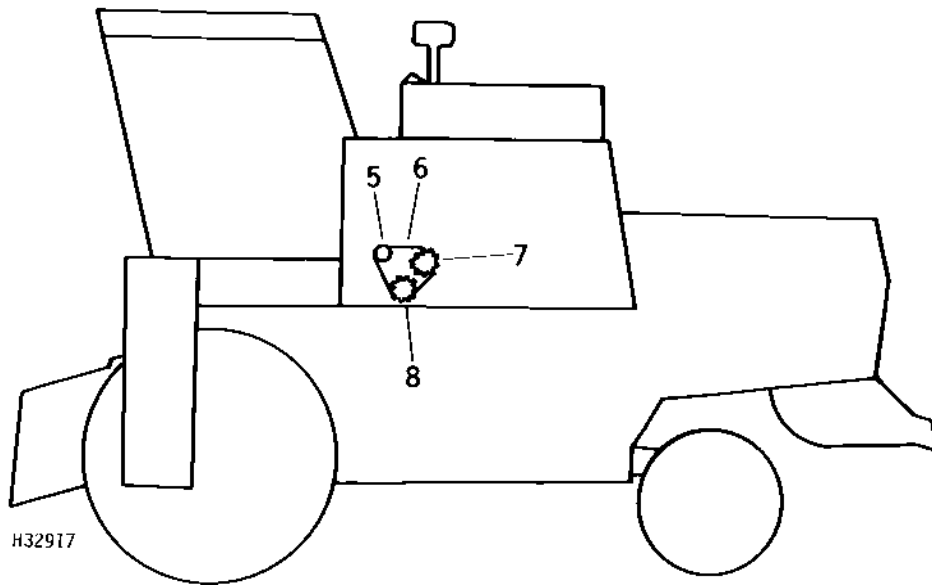
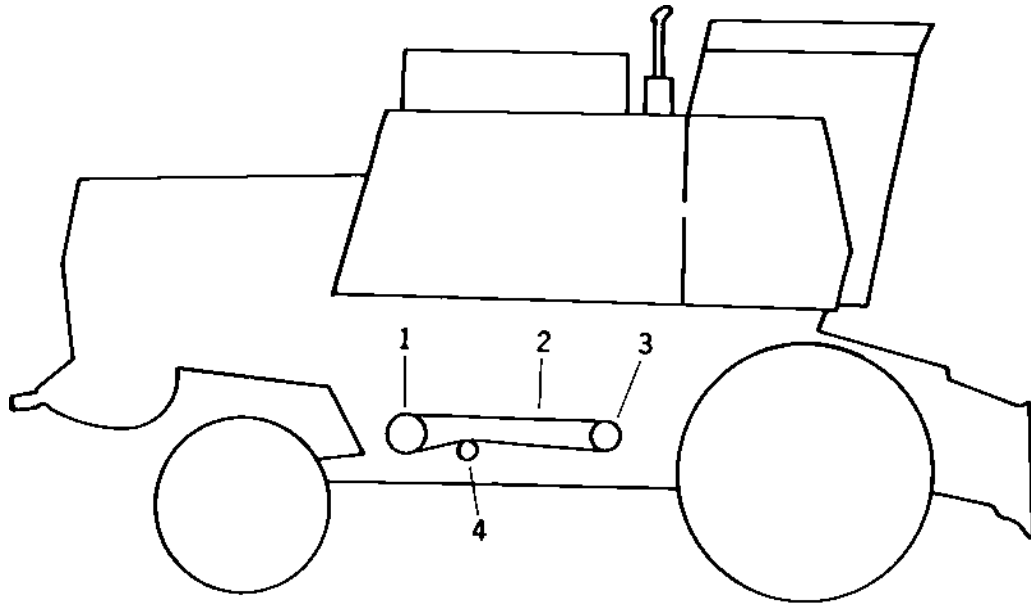
| KEY | PART NO. | PART NAME | QTY | SERIAL NO. | REMARKS  |
|-----|----------|-----------|-----|------------|--|
| 1   | AH90273  | SHEAVE    | 1   |            | DRIVEN, STRAW CHOPPER, 187 MM (7-3/8") DIA.  |
| 2   | H79787   | BELT      | 1   |            | REAR STRAW CHOPPER   |
| 3   | AH85276  | PULLEY    | 1   |            | IDLER, STRAW CHOPPER DRIVE, 229 MM (9") DIA.   |
| 4   | AN15237  | IDLER     | 1   |            | IDLER, STRAW CHOPPER DRIVE, 186 MM (7-5/16") DIA.  |
| 5   | AH90633  | SHEAVE    | 1   |            | TIGHTENER, STRAW CHOPPER DRIVE, 238 MM (9-3/8") DIA.   |
| 6   | H20407   | BELT      | 1   |            | FRONT STRAW CHOPPER  |
| 7   | H84103   | SHEAVE    | 1   |            | DRIVE, PRIMARY COUNTERSHAFT AND FRONT STRAW CHOPPER, 185 MM AND 279 MM (7-9/32" AND 11") DIAS. |
| 8   | AH75982  | SHEAVE    | 1   |            | DRIVE, STRAW SPREADER, 238 MM (9-3/8") DIA.  |
| 9   | H80159   | BELT      | 1   |            | STRAW SPREADER   |
| 10  | AH75981  | SHEAVE    | 1   | -600010    | (SUB AH108938)   |
|     | AH108938 | SHEAVE    | 1   |            | DRIVEN, STRAW SPREADER, 149 MM (5-7/8") DIA.   |

# 3B8

## TAILINGS ELEVATOR AND AUGER DRIVE SHEAVES AND SPROCKETS

H32917

-UN-01JAN94



H32917

# 3B9

DECALS, BELTS, AND CHAINS

## TAILINGS ELEVATOR AND AUGER DRIVE SHEAVES AND SPROCKETS - CONTINUED

| KEY | PART NO. | PART NAME      | QTY | SERIAL NO. | REMARKS   |
|-----|----------|----------------|-----|------------|---|
| 1   | AH75988  | SHEAVE         | 1   |            | DRIVEN, LOWER TAILINGS AUGER, 299 MM (11-3/4") DIA.   |
| 2   | H79917   | BELT           | 1   |            | TAILINGS LOWER AUGER  |
| 3   | H77263   | SHEAVE         | 1   |            | DRIVE, TAILINGS AUGER AND SHOE GRAIN SUPPLY AUGERS, 162 MM AND 184 MM (6-3/8" AND 7-1/4") DIAS.         |
| 4   | AH14097  | SHEAVE         | 1   |            | TIGHTENER, TAILINGS LOWER AUGER DRIVE, 178 MM (7") DIA.   |
| 5   | P47883   | TIGHTENER      | 1   |            | TIGHTENER, TAILINGS UPPER AUGER DRIVE   |
| 6   | .....    | LINK CHAIN     | 1   |            | DRIVE, ROLLER, TYPE 2040, 25 MM (1") PITCH, 30 LINKS (TAILINGS UPPER AUGER) (ASSEMBLE FROM (3) AP19997) |
| 7   | H78297   | CHAIN SPROCKET | 1   |            | DRIVE, UPPER TAILINGS AUGER, 14 TEETH   |
| 8   | PK1613H  | CHAIN SPROCKET | 1   |            | DRIVEN, UPPER TAILINGS AUGER, 12 TEETH  |

---

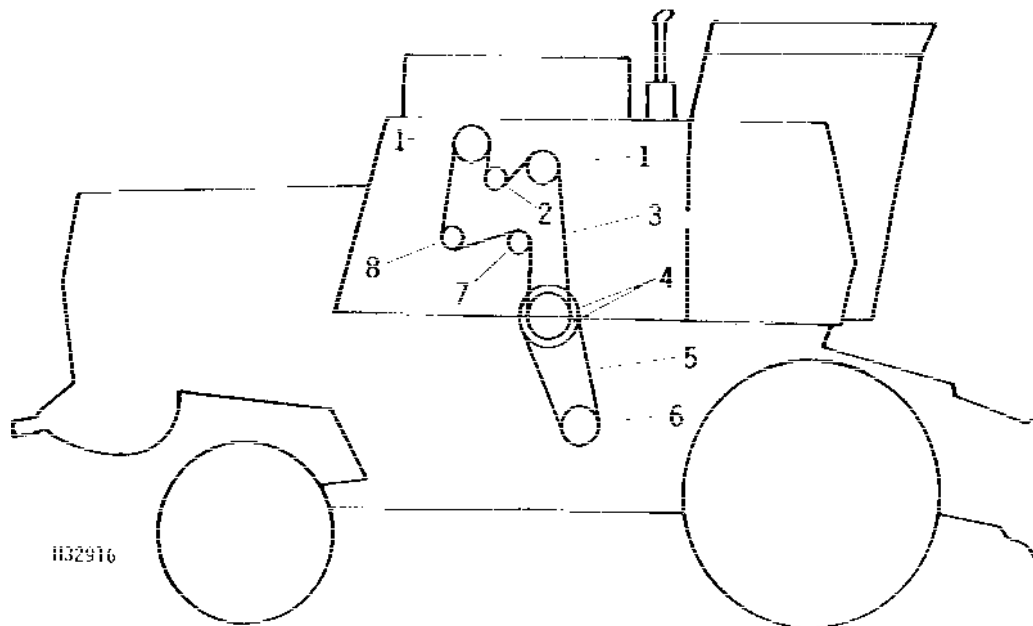
MEMORANDA

# 3B10

DECALS, BELTS, AND CHAINS

## CLEAN GRAIN ELEVATOR AND LOADING AUGER DRIVE SHEAVES AND BELTS

H32916 -UN-01JAN94



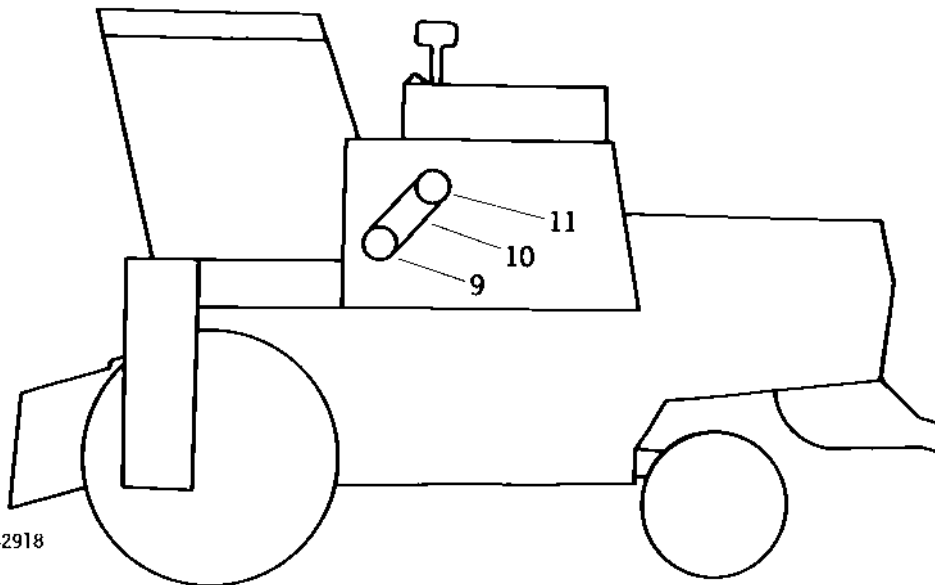
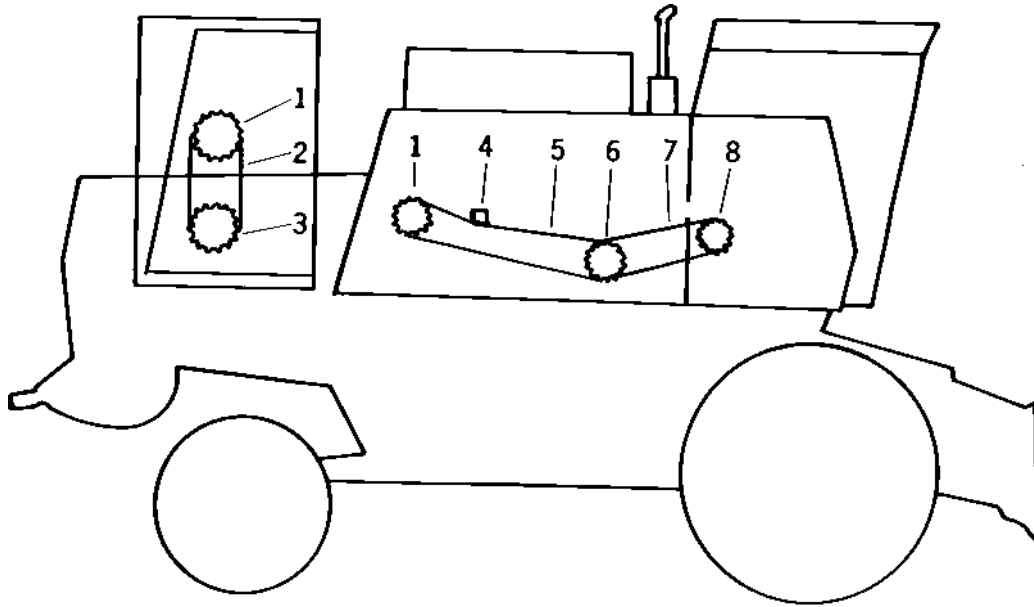
| KEY | PART NO. | PART NAME | QTY | SERIAL NO. | REMARKS  |
|-----|----------|-----------|-----|------------|--|
| 1   | AH75987  | PULLEY    | 2   |            | DRIVEN, CLEAN GRAIN ELEVATOR, 299 MM (11-3/4") DIA.  |
| 2   | AH85276  | PULLEY    | 1   |            | TIGHTENER, CLEAN GRAIN ELEVATOR, 229 MM (9") DIA.  |
| 3   | H81222   | BELT      | 1   |            | CLEAN GRAIN ELEVATOR   |
| 4   | AH75980  | SHEAVE    | 2   |            | DRIVE, CLEAN GRAIN ELEVATOR; DRIVEN, CLEAN GRAIN ELEVATOR COUNTERSHAFT, 222 MM (8-3/4") DIA. |
| 5   | H23817   | BELT      | 1   |            | CLEAN GRAIN ELEVATOR COUNTERSHAFT  |
| 6   | AH75980  | SHEAVE    | 1   |            | DRIVE, CLEAN GRAIN ELEVATOR COUNTERSHAFT, 222 MM (8-3/4") DIA.                               |
| 7   | AH14097  | SHEAVE    | 1   |            | TIGHTENER, CLEAN GRAIN ELEVATOR DRIVE, 178 MM (7") DIA.                                      |
| 8   | AH65015  | SHEAVE    | 1   |            | TIGHTENER, CLEAN GRAIN ELEVATOR DRIVE, 133 MM (5-1/4") DIA.                                  |

# 3B11

H32918

-UN-01JAN94

## UNLOADING AUGER DRIVES



H32918

# 3B12

DECALS, BELTS, AND CHAINS

## UNLOADING AUGER DRIVES - CONTINUED

| KEY | PART NO. | PART NAME      | QTY | SERIAL NO. | REMARKS   |
|-----|----------|----------------|-----|------------|---|
| 1   | H83746   | CHAIN SPROCKET | 1   |            | DRIVEN, AUXILIARY UNLOADING AUGERS, 22 TEETH<br>DRIVE, ROLLER, TYPE A2040, 25 MM (1") DOUBLE<br>PITCH, 44 LINKS (AUXILIARY UNLOADING AUGER<br>HYDRAULIC DRIVE) (ASSEMBLE FROM (4)<br>AP19997, (2) AP19994 AND (2) AP19993)  |
| 2   | .....    | LINK CHAIN     | 1   |            |   |
| 3   | H83746   | CHAIN SPROCKET | 1   |            | DRIVE, AUXILIARY UNLOADING AUGER HYDRAULIC<br>DRIVE, 22 TEETH   |
| 4   | H25393   | TIGHTENER      | 1   |            | TIGHTENER, AUXILIARY UNLOADING AUGER DRIVE<br>DRIVE, ROLLER, TYPE A2040, 25 MM (1") DOUBLE<br>PITCH, 99 LINKS (AUXILIARY UNLOADING<br>AUGERS) (ASSEMBLE FROM (2) AP19993, (2)<br>AP19994, (2) AP19997, AP19998 AND AP19999) |
| 5   | .....    | LINK CHAIN     | 1   |            |   |
| 6   | H76958   | CHAIN SPROCKET | 1   |            | DRIVE AND DRIVEN, INNER UNLOADING AUGER, 60<br>TEETH<br>DRIVE, ROLLER, TYPE 50, 16 MM (5/8") PITCH,<br>120 LINKS (UNLOADING AUGER) (ASSEMBLE FROM<br>(2) AP6093H AND (2) AP6095H)   |
| 7   | .....    | LINK CHAIN     | 1   |            |   |
| 8   | AH84244  | DRIVE SPROCKET | 1   |            | DRIVE, INNER UNLOADING, 18 TEETH  |
| 9   | H84106   | SHEAVE         | 1   |            | ENGINE, POWERSHAFT, 227 MM, 232 MM, AND 181<br>MM (8-15/16", 9-1/8", AND 7-1/8") DIAS.  |
| 10  | H76136   | BELT           | 1   |            | UNLOADING AUGER COUNTERSHAFT  |
| 11  | AH75984  | PULLEY         | 1   |            | DRIVEN, UNLOADING AUGER COUNTERSHAFT, 245 MM<br>(9-5/8") DIA.   |

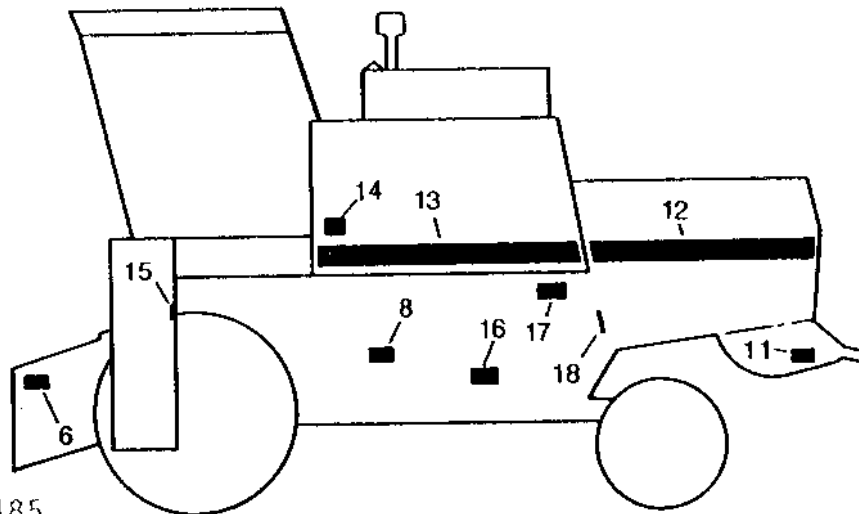
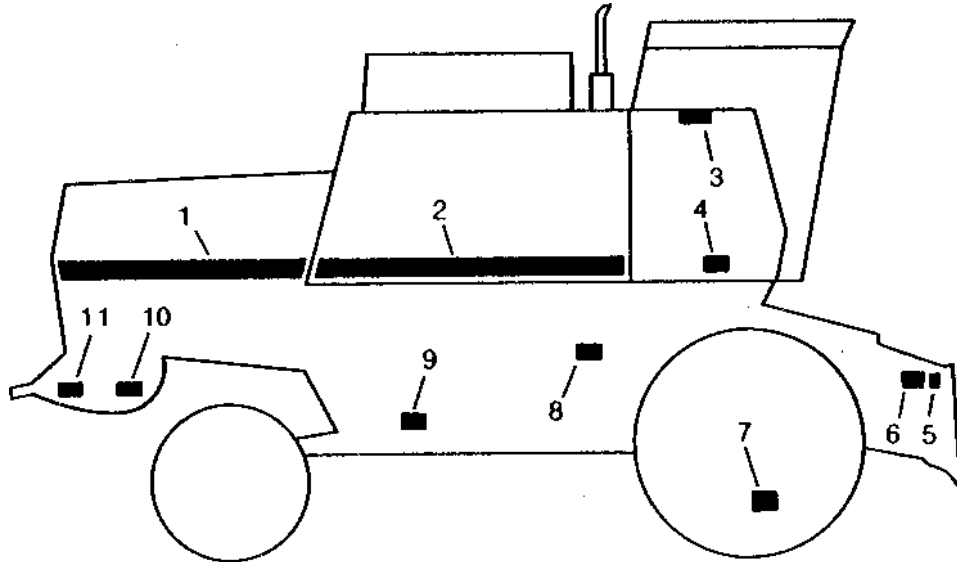
# 3B13

DECALS, BELTS, AND CHAINS

HP2485

-UN-01JAN94

## RIGHT-HAND AND LEFT-HAND DECALS



HP 2485



# 3B14

DECALS, BELTS, AND CHAINS

## RIGHT-HAND AND LEFT-HAND DECALS - CONTINUED

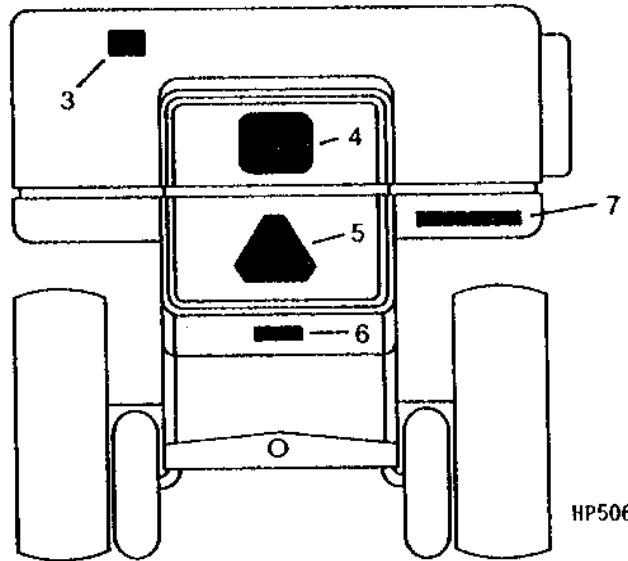
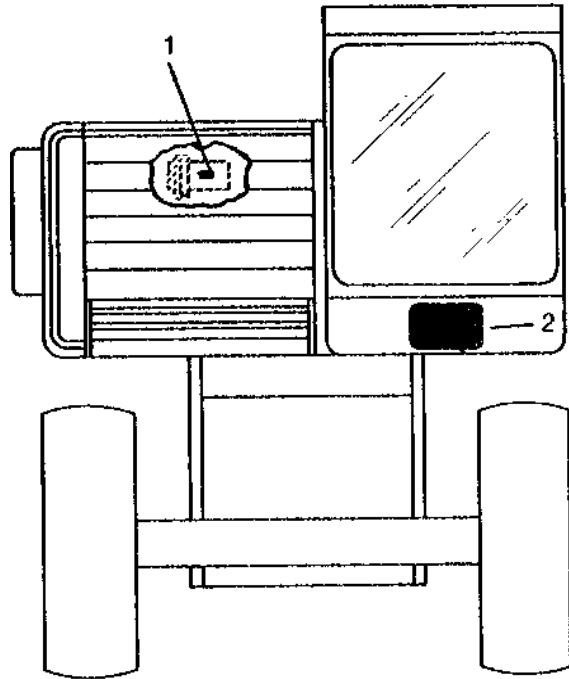
| KEY | PART NO. | PART NAME           | QTY | SERIAL NO. | REMARKS                                      |
|-----|----------|---------------------|-----|------------|--|
| 1   | H102232  | DECAL               | 1   |            | "JOHN DEERE" (R.H. REAR HOOD) (KIT AH103262) |
| 2   | .....    | DECAL               | 1   |            | "4420" (R.H. GRAIN TANK)                     |
| 3   | A2913R   | LABEL               | 1   |            |  |
| 4   | H117776  | DECAL               | 1   |            | "WARNING" (FAN)                              |
| 5   | H84947   | LABEL               | 1   | -610100    | (SUB H123351)                                |
|     | H123351  | LABEL               | 1   |            | "FEEDER DRUM HEIGHT ADJUSTMENT"              |
| 6   | H100065  | DECAL               | 2   |            | "WARNING" (RAM SAFETY STOP)                  |
| 7   | H79317   | DECAL               | 4   | -550000    | WHEEL BOLT TORQUE, 300 FT-LBS, (SUB H115673) |
|     | H115673  | DECAL               | 4   |            | WHEEL BOLT TORQUE, 425 FT-LBS                |
| 8   | H79287   | DECAL               | 2   |            | FAN DUCTS                                    |
| 9   | H89984   | DECAL               | 1   |            | "WARNING" (FUEL TANK)                        |
| 10  | H80034   | DECAL               | 1   |            | "STRAW CHOPPER DRIVE"                        |
| 11  | H80596   | DECAL               | 2   |            | "WARNING" (STRAW CHOPPER)                    |
| 12  | H102231  | DECAL               | 1   |            | "JOHN DEERE" (L.H. REAR HOOD) (KIT AH103262) |
| 13  | .....    | DECAL               | 1   |            | "4420" (L.H. GRAIN TANK)                     |
| 14  | H105899  | DECAL               | 1   |            | HYDRAULIC RESERVOIR                          |
|     | H105900  | DECAL               | 1   |            | HYDRAULIC RESERVOIR (CANADIAN)               |
| 15  | H81780   | DECAL               | 1   |            | "WARNING" (LADDER)                           |
| 16  | .....    | DECAL               | 1   |            | WALKER AND SHOE DRIVE CHAIN                  |
| 17  | JD5255   | DECAL               | 1   |            | "CAUTION"                                    |
| 18  | .....    | SERIAL NUMBER PLATE | 1   |            |  |
|     | P43110   | SCREW               | 2   |            |  |

# 3B15

HP506

-UN-01JAN94

## FRONT AND REAR DECALS



HP506

# 3B16

DECALS, BELTS, AND CHAINS

## FRONT AND REAR DECALS - CONTINUED

| KEY | PART NO. | PART NAME  | QTY | SERIAL NO. | REMARKS                  |
|-----|----------|------------|-----|------------|--------------------------|
| 1   | H106299  | LABEL      | 1   |            | COMPRESSOR CHARGE        |
| 2   | .....    | DECAL      | 1   |            | LEAPING DEER             |
| 3   | H85398   | DECAL      | 2   |            | "WARNING" (GRAIN TANK)   |
| 4   | JD5591   | DECAL      | 1   |            | LEAPING DEER, 12"        |
| 5   | JD5401   | SMV EMBLEM | 1   |            | SLOW MOVING VEHICLE      |
| 6   | H100209  | DECAL      | 1   | -600400    | "DANGER" (STRAW CHOPPER) |
| 7   | H83107   | DECAL      | 1   |            | "DIESEL"                 |

## DECALS (NOT ILLUSTRATED)

| KEY | PART NO. | PART NAME | QTY | SERIAL NO. | REMARKS                                     |
|-----|----------|-----------|-----|------------|---|
| ..  | AH103262 | DECAL KIT | 1   |            | KIT, CONSISTS OF:                           |
| ..  |          |           | 1   |            | VARIABLE SPEED CYLINDER                     |
| ..  |          |           | 1   |            | FAN DUCTS                                   |
| ..  |          |           | 1   |            | WALKER AND SHOE DRIVE CHAIN                 |
| ..  |          |           | 1   |            | CONCAVE CRANK                               |
| ..  |          |           | 1   |            | VARIABLE SPEED FAN HANDWHEEL                |
| ..  |          |           | 1   |            | "WARNING" (LADDER)                          |
| ..  |          |           | 1   |            | CYLINDER TIMING CHAIN                       |
| ..  |          |           | 1   |            | SIGN (INSTRUCTIONAL BATTERY SHIELD)         |
| ..  |          |           | 1   |            | HYDRAULIC RESERVOIR                         |
| ..  |          |           | 1   |            | WHEEL BOLT TORQUE--200 FT-LBS               |
| ..  |          |           | 1   |            | "WARNING" (GRAIN TANK)                      |
| ..  |          |           | 1   |            | DISPLACER OPERATION                         |
| ..  |          |           | 1   |            | INSTRUCTIONAL                               |
| ..  |          |           | 1   |            | RADIATOR FILL PROCEDURE                     |
| ..  |          |           | 1   |            | "WARNING" (FUEL TANK)                       |
| ..  |          |           | 1   |            | "WARNING" (RAM SAFETY STOP)                 |
| ..  |          |           | 1   |            | L.H. GRAIN TANK                             |
| ..  |          |           | 1   |            | R.H. GRAIN TANK                             |
| ..  |          |           | 1   |            | L.H. REAR HOOD                              |
| ..  |          |           | 1   |            | R.H. REAR HOOD                              |
| ..  |          |           | 1   |            | "NO STEP"                                   |
| ..  |          |           | 1   |            | "CAUTION"                                   |
| ..  |          |           | 1   |            | "JOHN DEERE"                                |
| ..  |          |           | 1   |            | SLOW MOVING VEHICLE                         |
| ..  |          |           | 1   |            | LEAPING DEER                                |
| ..  |          |           | 1   |            | "WARNING" (FAN)                             |
| ..  | AH94800  | KIT       | 1   |            | DECAL (FRENCH LANGUAGE)                     |
| ..  | AH101606 | DECAL KIT | 1   |            | (FRENCH LANGUAGE)                           |
| ..  | H76042   | DECAL     | 1   |            | "IMPORTANT" (FEEDER HOUSE IDLER ADJUSTMENT) |
| ..  | H80407   | DECAL     | 1   |            | "GEARSHIFT PATTERN"                         |
| ..  | H80796   | DECAL     | 1   |            | VARIABLE SPEED FAN HANDWHEEL                |
| ..  | H81592   | DECAL     | 1   |            | "IMPORTANT" (FEEDER HOUSE LOWER SHAFT)      |
| ..  | H81593   | DECAL     | 1   |            | "IMPORTANT" (29-TOOTH SPROCKET)             |
| ..  | H81695   | LABEL     | 1   |            | "HEATER - FAN SPEED"                        |
| ..  | H82446   | DECAL     | 1   |            | CONCAVE ADJUSTMENT (RASP-BAR ONLY)          |
| ..  | H84175   | LABEL     | 1   |            | "HEATER"                                    |
| ..  | H87457   | DECAL     | 1   |            | "AIR CONDITIONER"                           |
| ..  | H87458   | DECAL     | 1   |            | "FAN SPEED"                                 |
| ..  | H89657   | DECAL     | 1   |            | "SPRING TENSION ADJUSTMENT"                 |
| ..  | H94349   | DECAL     | 1   |            | "IDLER", PIVOT (ROTARY SCREEN DISPLACER)    |
| ..  | H97762   | DECAL     | 1   |            | "FILTER SERVICE"                            |
| ..  | H99315   | DECAL     | 1   |            | "WARNING" (CANADIAN REEL ARM)               |
| ..  | H100667  | LABEL     | 1   |            | "CAUTION" (BRAKE) (CONSOLE COVER)           |
| ..  | H103164  | DECAL     | 1   |            | "NO STEP"                                   |
| ..  | H109801  | TAG       | 1   | 450001-    | "WARNING" (ACCUMULATOR)                     |
| ..  | H109897  | LABEL     | 1   | 500001-    | DIAL-A-MATIC HEADER HEIGHT CONTROL          |
| ..  | H118030  | DECAL     | 1   |            | "WARNING" (FRENCH)                          |

# 1K20

COMBINE - 4420

## NUMERICAL INDEX

| PART NO. | GRID | KEY | PAGE   | PART NO. | GRID | KEY | PAGE   | PART NO. | GRID | KEY | PAGE   |
|----------|------|-----|--------|----------|------|-----|--------|----------|------|-----|--------|
| AA14834  | 2C11 | 5   | 70-45  | AH101146 | 2F19 | 11  | 110-26 | AH103603 | 1I20 | 5   | 60-14  |
| AA14834  | 2C12 | 5   | 70-46  | AH101146 | 2F20 | 7   | 110-27 | AH103604 | 1I20 | 6   | 60-14  |
| AA15092  | 2C11 | 16  | 70-45  | AH101146 | 3B2  | 4   | 170-11 | AH103649 | 1H21 | 19  | 50-19  |
| AA4298R  | 1C23 | 19  | 30-2   | AH101149 | 2F6  | 29  | 110-13 | AH10367  | 2F12 | 15  | 110-19 |
| AA4507R  | 1C24 | 22  | 30-3   | AH101205 | 2H18 | 13  | 120-39 | AH103790 | 2J3  | 25  | 130-1  |
| AA517R   | 1C24 | 23  | 30-3   | AH101206 | 2H18 | 2   | 120-39 | AH103809 | 2B15 | 21  | 70-21  |
| AA5787R  | 1F17 | 9   | 40-26  | AH101208 | 2H18 | 6   | 120-39 | AH103895 | 2B7  | ..  | 70-12  |
| AB14025  | 2B4  | 7   | 70-9   | AH101209 | 2H18 | 16  | 120-39 | AH103895 | 2B8  | ..  | 70-13  |
| AB14025  | 2B4  | 14  | 70-9   | AH101242 | 2A21 | ..  | 70-2   | AH104294 | 2B9  | 1   | 70-15  |
| AB14025  | 2B5  | 15  | 70-10  | AH101288 | 2I9  | 15  | 120-57 | AH104362 | 2H24 | 11  | 120-45 |
| AB14025  | 2G17 | 10  | 120-13 | AH101316 | 2B9  | 27  | 70-15  | AH104380 | 1F16 | 1   | 40-25  |
| AB14052  | 2G17 | 10  | 120-13 | AH101327 | 1I10 | 5   | 60-3   | AH104674 | 2B9  | 8   | 70-15  |
| AB17232  | 2B4  | 7   | 70-9   | AH101370 | 2F4  | 28  | 110-11 | AH104872 | 1H16 | 1   | 50-14  |
| AB17232  | 2B5  | 15  | 70-10  | AH101382 | 2C11 | 1   | 70-45  | AH105062 | 2D11 | 24  | 90-5   |
| AB18206  | 1F3  | 5   | 40-10  | AH101474 | 2G24 | 3   | 120-21 | AH105136 | 1C24 | 26A | 30-3   |
| AB18594  | 2B4  | 7   | 70-9   | AH101491 | 2C8  | 12  | 70-42  | AH105292 | 2F5  | 15  | 110-12 |
| AB18594  | 2B4  | 14  | 70-9   | AH101492 | 2C8  | 12  | 70-42  | AH105293 | 2F5  | 6   | 110-12 |
| AB18594  | 2B5  | 15  | 70-10  | AH101521 | 2B4  | 3   | 70-9   | AH105315 | 2D11 | 17  | 90-5   |
| AB18594  | 2G17 | 10  | 120-13 | AH101526 | 2G14 | 6   | 120-10 | AH105519 | 1F8  | 4   | 40-15  |
| AB2599R  | 1E23 | 13  | 40-5   | AH101577 | 2C15 | 4   | 80-2   | AH105521 | 1G2  | 19  | 40-35  |
| AC11779  | 2F8  | 9   | 110-15 | AH101578 | 2C16 | 11  | 80-3   | AH105521 | 1G4  | 8   | 40-37  |
| AC11779  | 2I14 | 17  | 120-62 | AH101579 | 2C14 | 1   | 80-1   | AH105953 | 2E17 | 4   | 90-37  |
| AC11779  | 2I22 | 16  | 120-71 | AH101597 | 2G11 | 8   | 120-7  | AH106278 | 2G11 | 5   | 120-7  |
| AC14974  | 2F8  | 5   | 110-15 | AH101598 | 2J18 | 6   | 130-16 | AH106484 | 1C24 | 25  | 30-3   |
| AC14974  | 2I14 | 17  | 120-62 | AH101599 | 2J18 | 6   | 130-16 | AH106513 | 1I8  | 13  | 60-1   |
| AC14974  | 2I22 | 16  | 120-71 | AH101605 | 2J3  | 1   | 130-1  | AH106547 | 2K5  | 2   | 160-1  |
| AD2062R  | 1E23 | 12  | 40-5   | AH101606 | 3B17 | ..  | 170-28 | AH106625 | 2K11 | 5   | 160-7  |
| AE14096  | 2A24 | 53  | 70-5   | AH101608 | 2F5  | 15  | 110-12 | AH106626 | 2K6  | 3   | 160-2  |
| AE24787  | 2A24 | 37  | 70-5   | AH101625 | 2A23 | 10  | 70-4   | AH106721 | 2G11 | 3   | 120-7  |
| AE24787  | 2B2  | 36  | 70-7   | AH101625 | 2B1  | 10  | 70-6   | AH106816 | 2G11 | 30  | 120-7  |
| AE24788  | 2A23 | 34  | 70-4   | AH101625 | 2K8  | 9   | 160-4  | AH106982 | 1C24 | 25  | 30-3   |
| AE24788  | 2B1  | 30  | 70-6   | AH101631 | 2B7  | 1   | 70-12  | AH106982 | 1C24 | 26B | 30-3   |
| AE24788  | 2B7  | 13  | 70-12  | AH101631 | 2B7  | 23  | 70-12  | AH107013 | 2B11 | 5   | 70-17  |
| AE24788  | 2B8  | 13  | 70-13  | AH101631 | 2B7  | ..  | 70-12  | AH107062 | 2G11 | 26  | 120-7  |
| AE24792  | 2A24 | 56  | 70-5   | AH101639 | 2J4  | 16  | 130-2  | AH107325 | 2J4  | 8   | 130-2  |
| AE24792  | 2B2  | 55  | 70-7   | AH101641 | 2D8  | 4   | 90-1   | AH107325 | 2J4  | 10  | 130-2  |
| AE25156  | 2A24 | 52  | 70-5   | AH101642 | 2C7  | 8   | 70-41  | AH107325 | 2J19 | 25  | 130-17 |
| AE25156  | 2B2  | 51  | 70-7   | AH102531 | 2C7  | 11  | 70-41  | AH107362 | 1C23 | 16  | 30-2   |
| AE28050  | 2B18 | 22  | 70-25  | AH102554 | 2H3  | 2   | 120-24 | AH107850 | 2D25 | 26  | 90-19  |
| AE28051  | 2B18 | 21  | 70-25  | AH102724 | 2F4  | 15  | 110-11 | AH107857 | 1H20 | 4   | 50-18  |
| AE31147  | 1J3  | 6   | 60-22  | AH102725 | 2F4  | 6   | 110-11 | AH107857 | 1H22 | 10  | 50-20  |
| AE31263  | 1F20 | 6   | 40-29  | AH102726 | 2F5  | 6   | 110-12 | AH107883 | 2H3  | 2   | 120-24 |
| AH100003 | 1I11 | ..  | 60-4   | AH102739 | 2D11 | 17  | 90-5   | AH107884 | 2H3  | 2   | 120-24 |
| AH100003 | 1I13 | 1   | 60-6   | AH102740 | 2J19 | 32  | 130-17 | AH108024 | 1F3  | 9   | 40-10  |
| AH100003 | 1I13 | 3   | 60-6   | AH102871 | 2K1  | 3   | 140-4  | AH108055 | 1H25 | 12  | 50-23  |
| AH100003 | 1I13 | 4   | 60-6   | AH103067 | 1G2  | 22  | 40-35  | AH108056 | 1H25 | 9   | 50-23  |
| AH100003 | 1I13 | 5   | 60-6   | AH103068 | 1G2  | 23  | 40-35  | AH108057 | 1H25 | 10  | 50-23  |
| AH100003 | 1I13 | 6   | 60-6   | AH103077 | 2B12 | 7   | 70-18  | AH108066 | 2D8  | 2   | 90-1   |
| AH100003 | 1I13 | 7   | 60-6   | AH103078 | 2B3  | 24  | 70-8   | AH108080 | 1F3  | 4   | 40-10  |
| AH100003 | 1I13 | ..  | 60-6   | AH103078 | 2B12 | 2   | 70-18  | AH108187 | 2C11 | 19  | 70-45  |
| AH100009 | 2I9  | 6   | 120-57 | AH103143 | 2B11 | 12  | 70-17  | AH108187 | 2C12 | 8   | 70-46  |
| AH100009 | 3B5  | 6   | 170-15 | AH103182 | 1E16 | 6   | 30-45  | AH108368 | 1C11 | 17  | 20-43  |
| AH100010 | 2K1  | 9   | 140-4  | AH103262 | 3B14 | 1   | 170-25 | AH108380 | 1F3  | 3   | 40-10  |
| AH100010 | 3B5  | 3   | 170-15 | AH103262 | 3B14 | 12  | 170-25 | AH108414 | 2K15 | 3   | 160-11 |
| AH100091 | 2C11 | 19  | 70-45  | AH103262 | 3B17 | ..  | 170-28 | AH108480 | 1F16 | 3   | 40-25  |
| AH100091 | 2C12 | 8   | 70-46  | AH103335 | 2B9  | 9   | 70-15  | AH108495 | 2A21 | 21  | 70-2   |
| AH100117 | 1F7  | 15  | 40-14  | AH103335 | 2B9  | 10  | 70-15  | AH108503 | 1H4  | 3   | 50-2   |
| AH100271 | 2G24 | 2   | 120-21 | AH103335 | 2B9  | 11  | 70-15  | AH108504 | 2D13 | 9   | 90-7   |
| AH100282 | 2C11 | 13  | 70-45  | AH103335 | 2B9  | 12  | 70-15  | AH108532 | 2G24 | 3   | 120-21 |
| AH100283 | 2G11 | 3   | 120-7  | AH103335 | 2B9  | 13  | 70-15  | AH108532 | 2G24 | 4   | 120-21 |
| AH100302 | 2G24 | 23  | 120-21 | AH103335 | 2B9  | 14  | 70-15  | AH108532 | 2G24 | 13  | 120-21 |
| AH100302 | 2H2  | 21  | 120-23 | AH103335 | 2B9  | 18  | 70-15  | AH108709 | 2A23 | 14  | 70-4   |
| AH100302 | 3B3  | 1   | 170-12 | AH103335 | 2B9  | 19  | 70-15  | AH108709 | 2A23 | 15  | 70-4   |
| AH100303 | 2G9  | 5   | 120-5  | AH103335 | 2B9  | 20  | 70-15  | AH108709 | 2A23 | 18  | 70-4   |
| AH100303 | 2G13 | 5   | 120-9  | AH103335 | 2B9  | 22  | 70-15  | AH108709 | 2A23 | 20  | 70-4   |
| AH100303 | 3B3  | 3   | 170-12 | AH103335 | 2B10 | 11  | 70-16  | AH108709 | 2A23 | 24  | 70-4   |
| AH100314 | 1E22 | 9   | 40-4   | AH103389 | 1E21 | 4   | 40-3   | AH108709 | 2A24 | 40  | 70-5   |

## NUMERICAL INDEX - CONTINUED

| PART NO. | GRID | KEY | PAGE   | PART NO. | GRID | KEY | PAGE   | PART NO. | GRID | KEY | PAGE   |
|----------|------|-----|--------|----------|------|-----|--------|----------|------|-----|--------|
| AH108709 | 2A24 | 41  | 70-5   | AH112218 | 2H14 | 10  | 120-35 | AH117228 | 1F11 | 2   | 40-19  |
| AH108709 | 2A24 | ..  | 70-5   | AH112244 | 2C16 | 11  | 80-3   | AH117229 | 1F13 | 1   | 40-21  |
| AH108712 | 1F21 | 1   | 40-30  | AH112245 | 2C15 | 4   | 80-2   | AH117525 | 2F5  | 15  | 110-12 |
| AH108712 | 1F21 | 2   | 40-30  | AH112250 | 2C18 | 6   | 80-5   | AH117526 | 2F5  | 6   | 110-12 |
| AH108726 | 2A24 | ..  | 70-5   | AH112251 | 2C18 | 11  | 80-5   | AH117788 | 1G4  | 2   | 40-37  |
| AH108726 | 2B2  | ..  | 70-7   | AH112281 | 2C18 | 18  | 80-5   | AH117789 | 1G4  | 16  | 40-37  |
| AH108733 | 2G11 | 5   | 120-7  | AH112282 | 2C18 | 15  | 80-5   | AH117790 | 1G4  | 12  | 40-37  |
| AH108739 | 1F21 | 1   | 40-30  | AH112301 | 1F21 | 6   | 40-30  | AH117791 | 1G4  | 13  | 40-37  |
| AH108742 | 2K15 | 6   | 160-11 | AH112321 | 2F8  | 1   | 110-15 | AH11794  | 2I13 | 15  | 120-61 |
| AH108749 | 2B12 | 7   | 70-18  | AH112322 | 2F8  | 1   | 110-15 | AH11794  | 2I21 | 7   | 120-70 |
| AH108852 | 2F7  | 1   | 110-14 | AH112365 | 1H5  | 6   | 50-3   | AH118014 | 1E22 | 5   | 40-4   |
| AH108863 | 2G11 | 8   | 120-7  | AH112374 | 2C8  | 12  | 70-42  | AH118380 | 2B17 | 16  | 70-23  |
| AH108938 | 2H22 | 3   | 120-43 | AH112375 | 2C8  | 12  | 70-42  | AH118381 | 2B17 | 8   | 70-23  |
| AH108938 | 3B7  | 10  | 170-17 | AH112385 | 1F8  | 8   | 40-15  | AH118382 | 2B17 | ..  | 70-23  |
| AH108960 | 1H24 | 8   | 50-22  | AH112393 | 2H14 | 1   | 120-35 | AH118989 | 2G11 | 20  | 120-7  |
| AH108960 | 1H25 | 16  | 50-23  | AH112541 | 1I11 | 23  | 60-4   | AH119050 | 2E8  | 5   | 90-27  |
| AH109096 | 2F21 | 19  | 110-28 | AH112541 | 1I13 | 2   | 60-6   | AH119896 | 2E12 | 1   | 90-31  |
| AH109183 | 1C7  | 12  | 20-39  | AH112541 | 1I14 | 5   | 60-7   | AH120374 | 2B2  | ..  | 70-7   |
| AH109495 | 1F2  | 13A | 40-9   | AH112542 | 1I11 | ..  | 60-4   | AH120377 | 2B7  | ..  | 70-12  |
| AH109495 | 1F2  | 13B | 40-9   | AH112542 | 1I13 | ..  | 60-6   | AH120377 | 2B8  | 21  | 70-13  |
| AH109588 | 2K14 | 2   | 160-10 | AH112542 | 1I14 | ..  | 60-7   | AH121235 | 2B1  | 21  | 70-6   |
| AH109597 | 2D11 | 17  | 90-5   | AH112542 | 1I15 | 7   | 60-9   | AH122354 | 2B25 | ..  | 70-34  |
| AH109602 | 2K14 | 6   | 160-10 | AH112548 | 1F4  | 15  | 40-11  | AH122354 | 2C2  | 9   | 70-36  |
| AH109610 | 1F3  | 1   | 40-10  | AH112764 | 2B21 | 4   | 70-29  | AH122371 | 2B25 | 18  | 70-34  |
| AH109779 | 1E21 | 4   | 40-3   | AH112764 | 2B21 | 22  | 70-29  | AH12307  | 2B14 | 1   | 70-20  |
| AH11015  | 1E20 | 7   | 40-2   | AH112764 | 2B24 | 1   | 70-33  | AH123532 | 2F8  | 1   | 110-15 |
| AH11015  | 1E20 | 8   | 40-2   | AH112766 | 2B21 | 4   | 70-29  | AH123533 | 2F8  | 1   | 110-15 |
| AH11015  | 1E23 | 7   | 40-5   | AH112766 | 2B21 | 22  | 70-29  | AH12466  | 1I4  | 8   | 50-27  |
| AH11015  | 1F6  | 27  | 40-13  | AH112766 | 2B24 | 1   | 70-33  | AH12467  | 1I4  | 10  | 50-27  |
| AH11015  | 1H21 | 14  | 50-19  | AH112930 | 2B24 | 5   | 70-33  | AH12678  | 2I13 | 15  | 120-61 |
| AH11015  | 1I8  | 10  | 60-1   | AH112930 | 2C5  | 7   | 70-39  | AH12678  | 2I21 | 7   | 120-70 |
| AH110230 | 1C22 | 1   | 30-1   | AH112932 | 2B22 | 9   | 70-31  | AH133265 | 2C12 | 8   | 70-46  |
| AH110740 | 2F8  | 6   | 110-15 | AH112932 | 2B24 | 5   | 70-33  | AH14097  | 2I3  | 2   | 120-50 |
| AH110867 | 2D14 | 5   | 90-8   | AH112932 | 2C5  | 7   | 70-39  | AH14097  | 2I16 | 2   | 120-64 |
| AH110868 | 2D14 | 5   | 90-8   | AH113135 | 2J1  | 2   | 120-75 | AH14097  | 2I23 | 2   | 120-72 |
| AH110868 | 2D14 | 6   | 90-8   | AH113136 | 2C5  | 12  | 70-39  | AH14097  | 3B4  | 3   | 170-13 |
| AH111056 | 2B16 | 7   | 70-22  | AH113137 | 2C5  | 3   | 70-39  | AH14097  | 3B9  | 4   | 170-19 |
| AH111057 | 1I1  | 6   | 50-24  | AH113195 | 2C18 | 22  | 80-5   | AH14097  | 3B10 | 7   | 170-21 |
| AH111058 | 2B16 | 6   | 70-22  | AH113196 | 2C18 | 19  | 80-5   | AH143455 | 2C12 | 8   | 70-46  |
| AH111058 | 2J11 | 8   | 130-9  | AH113355 | 2H2  | 2   | 120-23 | AH15000  | 2B21 | 2   | 70-29  |
| AH111100 | 2F23 | 14  | 110-30 | AH113362 | 2H2  | 3   | 120-23 | AH15000  | 2B24 | 10  | 70-33  |
| AH111148 | 2F6  | 29  | 110-13 | AH113715 | 1F17 | 18  | 40-26  | AH15397  | 2I2  | 30  | 120-49 |
| AH111178 | 2F2  | 3   | 110-9  | AH113900 | 2G7  | 27  | 120-3  | AH15442  | 2A21 | 1   | 70-2   |
| AH111190 | 2E24 | 18  | 110-5  | AH113901 | 2G7  | 28  | 120-3  | AH15442  | 2B18 | 4   | 70-25  |
| AH111430 | 2H15 | 3   | 120-36 | AH113908 | 2D3  | 3   | 80-15  | AH15939  | 2B24 | 2   | 70-33  |
| AH111435 | 2J1  | 2   | 120-75 | AH113961 | 1H10 | 1   | 50-8   | AH15939  | 2C3  | 5   | 70-37  |
| AH111485 | 2K15 | 6   | 160-11 | AH114060 | 2D13 | 18B | 90-7   | AH15939  | 2C5  | 4   | 70-39  |
| AH111497 | 2F4  | 28  | 110-11 | AH114138 | 2J17 | 8   | 130-15 | AH15939  | 2C9  | 4   | 70-43  |
| AH111504 | 2F2  | 3   | 110-9  | AH114447 | 2D8  | 4   | 90-1   | AH15940  | 2B22 | 11  | 70-31  |
| AH111642 | 2F18 | 7   | 110-25 | AH114771 | 1F8  | 9   | 40-15  | AH15940  | 2B24 | 6   | 70-33  |
| AH111642 | 2F22 | 12  | 110-29 | AH114774 | 2F15 | 1   | 110-22 | AH15940  | 2C3  | 8   | 70-37  |
| AH111646 | 2H9  | 14  | 120-30 | AH114776 | 2F14 | 1   | 110-21 | AH15940  | 2C5  | 8   | 70-39  |
| AH111646 | 2H10 | 11  | 120-31 | AH114805 | 2G24 | 13  | 120-21 | AH15940  | 2C9  | 6   | 70-43  |
| AH111647 | 2H9  | 17  | 120-30 | AH114805 | 2H2  | 11  | 120-23 | AH16186  | 2D24 | 7   | 90-18  |
| AH111647 | 2H10 | 2   | 120-31 | AH115007 | 1E20 | 12  | 40-2   | AH165471 | 2C12 | 7   | 70-46  |
| AH111651 | 2F4  | 6   | 110-11 | AH115063 | 2F4  | 6   | 110-11 | AH165472 | 2C12 | 1   | 70-46  |
| AH111668 | 2F4  | 15  | 110-11 | AH115249 | 2F14 | 1   | 110-21 | AH166769 | 2C12 | 17  | 70-46  |
| AH111700 | 2F5  | 15  | 110-12 | AH115345 | 1E22 | 12  | 40-4   | AH18137  | 2A21 | 25  | 70-2   |
| AH111701 | 2F5  | 6   | 110-12 | AH115404 | 1F8  | 11  | 40-15  | AH18240  | 1H11 | 17  | 50-9   |
| AH112120 | 2D18 | 1   | 90-12  | AH115444 | 1C11 | 8   | 20-43  | AH18582  | 2F8  | 6   | 110-15 |
| AH112121 | 2D18 | 10  | 90-12  | AH116698 | 2F7  | 10  | 110-14 | AH19764  | 1I23 | 22  | 60-17  |
| AH112122 | 2D18 | 5   | 90-12  | AH116711 | 2F8  | 1   | 110-15 | AH19773  | 1I18 | 6   | 60-12  |
| AH112162 | 2H9  | 14  | 120-30 | AH116712 | 2F8  | 1   | 110-15 | AH19773  | 1I18 | 7   | 60-12  |
| AH112162 | 2H10 | 14  | 120-31 | AH116874 | 2H16 | 11  | 120-37 | AH19773  | 1I18 | ..  | 60-12  |
| AH112163 | 2H9  | 17  | 120-30 | AH116881 | 2E15 | 13  | 90-35  | AH19836  | 1H15 | 9   | 50-13  |
| AH112163 | 2H10 | 17  | 120-31 | AH116882 | 2E15 | 1   | 90-35  | AH19839  | 1I11 | 1   | 60-4   |
| AH112198 | 2G17 | 8   | 120-13 | AH117218 | 2E15 | 10  | 90-35  | AH19840  | 1I11 | 9   | 60-4   |

## NUMERICAL INDEX - CONTINUED

| PART NO. | GRID | KEY | PAGE   | PART NO. | GRID | KEY | PAGE   | PART NO. | GRID | KEY | PAGE   |
|----------|------|-----|--------|----------|------|-----|--------|----------|------|-----|--------|
| AH19841  | 1I11 | 5   | 60-4   | AH75118  | 2G9  | 20  | 120-5  | AH75980  | 2K1  | 23  | 140-4  |
| AH19842  | 1H15 | 3   | 50-13  | AH75122  | 2G9  | 19  | 120-5  | AH75980  | 3B10 | 4   | 170-21 |
| AH20203  | 2C8  | 18  | 70-42  | AH75125  | 2G9  | 28  | 120-5  | AH75980  | 3B10 | 6   | 170-21 |
| AH20447  | 2G2  | 1   | 110-34 | AH75126  | 2G9  | 28  | 120-5  | AH75981  | 2H22 | 3   | 120-43 |
| AH20447  | 3B2  | 21  | 170-11 | AH75132  | 1H5  | 6   | 50-3   | AH75981  | 3B7  | 10  | 170-17 |
| AH20809  | 1I18 | 12  | 60-12  | AH75156  | 2B3  | 26  | 70-8   | AH75982  | 2H7  | 2   | 120-28 |
| AH20810  | 1I18 | 15  | 60-12  | AH75157  | 2B3  | 11  | 70-8   | AH75982  | 3B7  | 8   | 170-17 |
| AH20811  | 1I17 | 13  | 60-11  | AH75158  | 2B21 | 19  | 70-29  | AH75984  | 2J12 | 2   | 130-10 |
| AH20811  | 1I17 | 15  | 60-11  | AH75159  | 2B21 | 16  | 70-29  | AH75984  | 3B12 | 11  | 170-23 |
| AH20812  | 1I17 | 9   | 60-11  | AH75160  | 1I3  | 1   | 50-26  | AH75987  | 2I14 | 14  | 120-62 |
| AH20813  | 1I17 | 11  | 60-11  | AH75164  | 2B12 | 15  | 70-18  | AH75987  | 2I19 | 2   | 120-68 |
| AH20836  | 1I23 | 21  | 60-17  | AH75165  | 2C7  | 9   | 70-41  | AH75987  | 3B10 | 1   | 170-21 |
| AH20841  | 2B9  | 19  | 70-15  | AH75167  | 2B21 | 23  | 70-29  | AH75988  | 2I20 | 16  | 120-69 |
| AH20841  | 2B10 | 8   | 70-16  | AH75167  | 2B24 | 9   | 70-33  | AH75988  | 3B9  | 1   | 170-19 |
| AH20936  | 1C22 | 15  | 30-1   | AH75293  | 2G18 | 38  | 120-14 | AH76099  | 2G9  | ..  | 120-5  |
| AH21283  | 1E15 | 9   | 30-44  | AH75293  | 3A24 | 6   | 170-7  | AH76107  | 1F17 | 18  | 40-26  |
| AH21419  | 1E15 | 7   | 30-44  | AH75294  | 2G18 | 4   | 120-14 | AH76108  | 1E20 | 16  | 40-2   |
| AH21420  | 1E15 | 1   | 30-44  | AH75294  | 3A24 | 6   | 170-7  | AH76121  | 1D4  | 11  | 30-8   |
| AH21440  | 2H8  | 3   | 120-29 | AH75295  | 2G18 | 39  | 120-14 | AH76130  | 2I20 | 8   | 120-69 |
| AH21440  | 3B5  | 4   | 170-15 | AH75296  | 2G18 | 10  | 120-14 | AH76134  | 1F17 | 13  | 40-26  |
| AH21815  | 2I19 | 6   | 120-68 | AH75296  | 2G22 | 10  | 120-19 | AH76140  | 2K1  | 25  | 140-4  |
| AH60736  | 2F12 | 2   | 110-19 | AH75297  | 2G18 | 32  | 120-14 | AH76140  | 3A25 | 3   | 170-9  |
| AH61036  | 1F17 | 4   | 40-26  | AH75299  | 2G18 | 26  | 120-14 | AH76147  | 2F24 | 8   | 110-31 |
| AH61036  | 1I16 | 25  | 60-10  | AH75299  | 2G22 | 24  | 120-19 | AH76154  | 3B2  | 12  | 170-11 |
| AH61903  | 2E4  | 9   | 90-23  | AH75300  | 2G18 | 19  | 120-14 | AH76184  | 1F7  | 1   | 40-14  |
| AH62037  | 2C9  | 3   | 70-43  | AH75300  | 2G22 | 33  | 120-19 | AH76184  | 1F8  | 1   | 40-15  |
| AH62341  | 1E21 | 7   | 40-3   | AH75332  | 1I25 | 2   | 60-19  | AH76186  | 1I12 | 9   | 60-5   |
| AH62345  | 1F4  | 13  | 40-11  | AH75396  | 1I23 | 5   | 60-17  | AH76186  | 1I12 | ..  | 60-5   |
| AH62843  | 2A24 | 44  | 70-5   | AH75397  | 1I23 | 23  | 60-17  | AH76191  | 2J24 | 15  | 140-2  |
| AH62843  | 2B2  | 43  | 70-7   | AH75398  | 1I23 | 23  | 60-17  | AH76193  | 2G22 | 20  | 120-19 |
| AH63282  | 2A21 | 32  | 70-2   | AH75402  | 1J2  | 11  | 60-21  | AH76193  | 2J24 | 18  | 140-2  |
| AH63282  | 2B18 | 17  | 70-25  | AH75405  | 1J1  | 17  | 60-20  | AH76195  | 1F2  | 7   | 40-9   |
| AH64587  | 1C12 | 12  | 20-44  | AH75407  | 1J1  | 4   | 60-20  | AH76211  | 2D5  | 5   | 80-17  |
| AH64587  | 2F19 | 13  | 110-26 | AH75408  | 1J1  | 7   | 60-20  | AH76218  | 2J20 | 10  | 130-18 |
| AH64587  | 2F19 | 15  | 110-26 | AH75422  | 2C6  | 14  | 70-40  | AH76219  | 2J13 | 9   | 130-11 |
| AH64587  | 2F20 | 2   | 110-27 | AH75428  | 1I2  | 19  | 50-25  | AH76241  | 2J15 | 18  | 130-13 |
| AH64587  | 2F20 | 3   | 110-27 | AH75429  | 1I17 | ..  | 60-11  | AH76243  | 2J17 | 4   | 130-15 |
| AH64587  | 2F20 | 21  | 110-27 | AH75450  | 2B3  | 5   | 70-8   | AH76244  | 2J18 | 16  | 130-16 |
| AH64587  | 2G9  | 15  | 120-5  | AH75452  | 2B3  | 14  | 70-8   | AH76261  | 2C18 | 11  | 80-5   |
| AH64587  | 2G9  | 16  | 120-5  | AH75452  | 2B14 | 13  | 70-20  | AH76263  | 2C18 | 10  | 80-5   |
| AH64587  | 2G13 | 15  | 120-9  | AH75454  | 2B3  | 6   | 70-8   | AH76285  | 2E24 | 7   | 110-5  |
| AH64587  | 2G13 | 16  | 120-9  | AH75460  | 1I3  | 5   | 50-26  | AH76288  | 2E24 | 8   | 110-5  |
| AH64587  | 2G24 | 8A  | 120-21 | AH75461  | 1I3  | 4   | 50-26  | AH76348  | 1F2  | 3   | 40-9   |
| AH64587  | 2G24 | 8B  | 120-21 | AH75462  | 2B3  | 28  | 70-8   | AH76355  | 2H4  | 2   | 120-25 |
| AH64587  | 2H2  | 9   | 120-23 | AH75462  | 2B21 | 9   | 70-29  | AH76371  | 1I1  | 6   | 50-24  |
| AH64587  | 2H6  | 21  | 120-27 | AH75466  | 1H18 | 6   | 50-16  | AH76372  | 2B16 | 7   | 70-22  |
| AH64587  | 2H7  | 15  | 120-28 | AH75466  | 1H19 | 6   | 50-17  | AH76375  | 2F7  | 1   | 110-14 |
| AH64587  | 2H19 | 7   | 120-40 | AH75502  | 2C7  | 5   | 70-41  | AH76491  | 2B16 | 6   | 70-22  |
| AH64587  | 2I1  | 15  | 120-48 | AH75505  | 2C3  | 12  | 70-37  | AH76491  | 2J11 | 8   | 130-9  |
| AH64587  | 2I14 | 9   | 120-62 | AH75506  | 2C3  | 9   | 70-37  | AH76542  | 2J4  | 6   | 130-2  |
| AH64587  | 2I14 | 11  | 120-62 | AH75507  | 1I22 | 8   | 60-16  | AH76543  | 2J4  | 7   | 130-2  |
| AH64587  | 2I14 | 12  | 120-62 | AH75507  | 1I22 | 12  | 60-16  | AH76556  | 1H3  | 8   | 50-1   |
| AH64587  | 2I15 | 7   | 120-63 | AH75509  | 1I22 | 12  | 60-16  | AH76573  | 2I24 | 21  | 120-73 |
| AH64587  | 2I19 | 5   | 120-68 | AH75510  | 1I22 | 8   | 60-16  | AH76595  | 2D5  | 2   | 80-17  |
| AH64587  | 2I22 | 12  | 120-71 | AH75511  | 1I22 | 12  | 60-16  | AH76609  | 2J17 | 8   | 130-15 |
| AH64587  | 2J12 | 11  | 130-10 | AH75515  | 2B18 | ..  | 70-25  | AH76637  | 1E20 | 3   | 40-2   |
| AH64587  | 2J12 | 13  | 130-10 | AH75520  | 2J12 | 28  | 130-10 | AH76661  | 2I22 | 16  | 120-71 |
| AH64587  | 2J21 | 10  | 130-19 | AH75521  | 2K3  | 6   | 140-6  | AH76668  | 2A20 | 6   | 70-1   |
| AH64587  | 2J21 | 11  | 130-19 | AH75543  | 1C22 | 11  | 30-1   | AH76669  | 2A20 | 7   | 70-1   |
| AH64587  | 2K1  | 27  | 140-4  | AH75547  | 1C24 | 32  | 30-3   | AH76670  | 2A20 | 1   | 70-1   |
| AH64587  | 2K1  | 28  | 140-4  | AH75616  | 2G15 | 3   | 120-11 | AH76692  | 1E20 | 10  | 40-2   |
| AH65015  | 2I16 | 10  | 120-64 | AH75635  | 2K3  | 14  | 140-6  | AH76709  | 1H4  | 3   | 50-2   |
| AH65015  | 3B10 | 8   | 170-21 | AH75662  | 1E20 | 18  | 40-2   | AH76764  | 1H3  | 22  | 50-1   |
| AH66615  | 3A24 | 12  | 170-7  | AH75801  | 2J18 | 10  | 130-16 | AH76765  | 1H3  | 16  | 50-1   |
| AH66645  | 2B18 | 15  | 70-25  | AH75979  | 2F22 | 8   | 110-29 | AH76767  | 1H3  | 21  | 50-1   |
| AH66648  | 2B18 | ..  | 70-25  | AH75979  | 3B2  | 18  | 170-11 | AH76769  | 1H3  | 20  | 50-1   |
| AH75065  | 1H22 | 7   | 50-20  | AH75980  | 2I15 | 3   | 120-63 | AH76772  | 2I12 | 7   | 120-60 |

## NUMERICAL INDEX - CONTINUED

| PART NO. | GRID | KEY | PAGE   | PART NO. | GRID | KEY | PAGE   | PART NO. | GRID | KEY | PAGE   |
|----------|------|-----|--------|----------|------|-----|--------|----------|------|-----|--------|
| AH76775  | 2I14 | 17  | 120-62 | AH77867  | 2B14 | 17  | 70-20  | AH79303  | 1F13 | 8   | 40-21  |
| AH76808  | 2I7  | 19  | 120-55 | AH77869  | 2B14 | 16  | 70-20  | AH79304  | 1F12 | 8   | 40-20  |
| AH76813  | 2I7  | 20  | 120-55 | AH77884  | 2B22 | 2   | 70-31  | AH79304  | 1F13 | 9   | 40-21  |
| AH76814  | 2I7  | 20  | 120-55 | AH77906  | 2G14 | 17  | 120-10 | AH79728  | 2F7  | 10  | 110-14 |
| AH76816  | 2I8  | 2   | 120-56 | AH77924  | 2B21 | 10  | 70-29  | AH79743  | 2H24 | 2   | 120-45 |
| AH76838  | 1I19 | 3   | 60-13  | AH77926  | 1C24 | 28  | 30-3   | AH79746  | 2H24 | 3   | 120-45 |
| AH76841  | 1I19 | 8   | 60-13  | AH78086  | 2B21 | 4   | 70-29  | AH79758  | 2D16 | 19  | 90-10  |
| AH76842  | 1I19 | 9   | 60-13  | AH78087  | 1E22 | 5   | 40-4   | AH79763  | 2J23 | 6   | 140-1  |
| AH76882  | 2B11 | 9   | 70-17  | AH78100  | 1F7  | 9   | 40-14  | AH79764  | 1H4  | 1   | 50-2   |
| AH76882  | 2C7  | 6   | 70-41  | AH78105  | 1F7  | 5   | 40-14  | AH79765  | 1H4  | 1   | 50-2   |
| AH76882  | 2K9  | 3   | 160-5  | AH78119  | 2C9  | 3   | 70-43  | AH79857  | 1I12 | 17  | 60-5   |
| AH76883  | 1H24 | 1   | 50-22  | AH78124  | 2C9  | 2   | 70-43  | AH79857  | 1I12 | 18  | 60-5   |
| AH76883  | 1H25 | 2   | 50-23  | AH78124  | 2F15 | 9   | 110-22 | AH79857  | 1I12 | 19  | 60-5   |
| AH76883  | 1I8  | 11  | 60-1   | AH78125  | 2C9  | 17  | 70-43  | AH79857  | 1I12 | 20  | 60-5   |
| AH76883  | 1I10 | 3   | 60-3   | AH78158  | 1F6  | 25  | 40-13  | AH79857  | 1I12 | 21  | 60-5   |
| AH76883  | 2C7  | 10  | 70-41  | AH78173  | 2D5  | 7   | 80-17  | AH79857  | 1I12 | 22  | 60-5   |
| AH76897  | 2C7  | 3   | 70-41  | AH78215  | 1F17 | 4   | 40-26  | AH79857  | 1I12 | 23  | 60-5   |
| AH76900  | 2B21 | 13  | 70-29  | AH78237  | 1F2  | 2   | 40-9   | AH79857  | 1I12 | 24  | 60-5   |
| AH76926  | 2B21 | 22  | 70-29  | AH78292  | 2B3  | 17  | 70-8   | AH79857  | 1I12 | 25  | 60-5   |
| AH76927  | 2B21 | 7   | 70-29  | AH78543  | 2J1  | 21  | 120-75 | AH79858  | 1I12 | 3   | 60-5   |
| AH76955  | 2B16 | 2   | 70-22  | AH78545  | 2F25 | 9   | 110-32 | AH79858  | 1I12 | 4   | 60-5   |
| AH76977  | 2I3  | 10  | 120-50 | AH78550  | 2G14 | 23  | 120-10 | AH80055  | 2C8  | 18  | 70-42  |
| AH76978  | 2I3  | 13  | 120-50 | AH78578  | 1I3  | 9   | 50-26  | AH80089  | 2K13 | 7   | 160-9  |
| AH76979  | 2I3  | 12  | 120-50 | AH78579  | 1I3  | 17  | 50-26  | AH80089  | 2K14 | 8   | 160-10 |
| AH76985  | 2C20 | 1   | 80-7   | AH78581  | 2F16 | 10  | 110-23 | AH80164  | 2E17 | 3   | 90-37  |
| AH76996  | 1I10 | 15  | 60-3   | AH78649  | 1F7  | 4   | 40-14  | AH80165  | 2E17 | 9   | 90-37  |
| AH77038  | 2I13 | 18  | 120-61 | AH78760  | 2B25 | 12  | 70-34  | AH80166  | 2E17 | 2   | 90-37  |
| AH77041  | 2J1  | 18  | 120-75 | AH78763  | 2A20 | 3   | 70-1   | AH80167  | 2E17 | 7   | 90-37  |
| AH77090  | 2B4  | 14  | 70-9   | AH78764  | 2A20 | 5   | 70-1   | AH80168  | 1F11 | 13  | 40-19  |
| AH77091  | 2B4  | 14  | 70-9   | AH78765  | 2K12 | 7   | 160-8  | AH80182  | 1F11 | 22  | 40-19  |
| AH77098  | 2K2  | 34  | 140-5  | AH78772  | 1I2  | ..  | 50-25  | AH80191  | 2E13 | 8   | 90-33  |
| AH77141  | 2I15 | 12  | 120-63 | AH78773  | 1I2  | 18  | 50-25  | AH80194  | 2E6  | 4   | 90-25  |
| AH77147  | 1I22 | 13  | 60-16  | AH78775  | 2C8  | 9   | 70-42  | AH80197  | 1F11 | 18  | 40-19  |
| AH77148  | 1I22 | 4   | 60-16  | AH78777  | 2C6  | ..  | 70-40  | AH80210  | 1F11 | 4   | 40-19  |
| AH77172  | 1C17 | 14  | 20-49  | AH78778  | 2C6  | 3   | 70-40  | AH80223  | 2A23 | 29  | 70-4   |
| AH77172  | 1C18 | 13  | 20-50  | AH78779  | 1I17 | 19  | 60-11  | AH80223  | 2B1  | 33  | 70-6   |
| AH77172  | 3A21 | 5   | 170-3  | AH78780  | 2A23 | 24  | 70-4   | AH80223  | 2B7  | 11  | 70-12  |
| AH77199  | 1E20 | 17  | 40-2   | AH78784  | 2A24 | 48  | 70-5   | AH80223  | 2B8  | 11  | 70-13  |
| AH77200  | 1E20 | 18  | 40-2   | AH78784  | 2B2  | 47  | 70-7   | AH80224  | 2A23 | 36  | 70-4   |
| AH77204  | 1E20 | 16  | 40-2   | AH78784  | 2B7  | 8   | 70-12  | AH80224  | 2B1  | 35  | 70-6   |
| AH77204  | 1E20 | 17  | 40-2   | AH78784  | 2B8  | 8   | 70-13  | AH80224  | 2B7  | 4   | 70-12  |
| AH77224  | 1I5  | 11  | 50-28  | AH78785  | 2A23 | 21  | 70-4   | AH80224  | 2B8  | 4   | 70-13  |
| AH77277  | 1C23 | 14  | 30-2   | AH78786  | 2A24 | ..  | 70-5   | AH80242  | 1C24 | 28  | 30-3   |
| AH77279  | 1C9  | 9   | 20-41  | AH78796  | 2A24 | ..  | 70-5   | AH80242  | 1D2  | 3   | 30-6   |
| AH77279  | 1C23 | 10  | 30-2   | AH78796  | 2B2  | ..  | 70-7   | AH80244  | 1C23 | 11  | 30-2   |
| AH77279  | 1E22 | 7   | 40-4   | AH78796  | 2K8  | ..  | 160-4  | AH80244  | 1D2  | 1   | 30-6   |
| AH77386  | 1I21 | 11  | 60-15  | AH78881  | 2E25 | 4   | 110-6  | AH80329  | 2D25 | 4   | 90-19  |
| AH77387  | 1I21 | 8   | 60-15  | AH78881  | 2F1  | 4   | 110-7  | AH80331  | 2D25 | 8   | 90-19  |
| AH77393  | 2I4  | 5   | 120-51 | AH78913  | 1H8  | 2   | 50-6   | AH80335  | 2D16 | 27  | 90-10  |
| AH77395  | 2I4  | 5   | 120-51 | AH78915  | 2G17 | 27  | 120-13 | AH80338  | 2D25 | 6   | 90-19  |
| AH77397  | 2I4  | 5   | 120-51 | AH78917  | 2J15 | 6   | 130-13 | AH80340  | 1F12 | 5   | 40-20  |
| AH77462  | 1I21 | 5   | 60-15  | AH78918  | 2J15 | 13  | 130-13 | AH80340  | 1F13 | 4   | 40-21  |
| AH77463  | 1I21 | 16  | 60-15  | AH78919  | 2J15 | 4   | 130-13 | AH80384  | 2I6  | 16  | 120-54 |
| AH77473  | 2B14 | 22  | 70-20  | AH79104  | 2D16 | 7   | 90-10  | AH80384  | 2I8  | 12  | 120-56 |
| AH77479  | 2B14 | 18  | 70-20  | AH79105  | 2D16 | 12  | 90-10  | AH80495  | 2I7  | 27  | 120-55 |
| AH77606  | 2G18 | 14  | 120-14 | AH79115  | 2A21 | 27  | 70-2   | AH80496  | 2I6  | 15  | 120-54 |
| AH77606  | 2G22 | 14  | 120-19 | AH79116  | 2A21 | ..  | 70-2   | AH80500  | 3A24 | 8   | 170-7  |
| AH77670  | 2G13 | 19  | 120-9  | AH79117  | 2A21 | 21  | 70-2   | AH80508  | 2I14 | 7   | 120-62 |
| AH77670  | 2G13 | ..  | 120-9  | AH79119  | 2I9  | 19  | 120-57 | AH80508  | 2I22 | 7   | 120-71 |
| AH77688  | 2E24 | 18  | 110-5  | AH79151  | 1E22 | 11  | 40-4   | AH80595  | 1E23 | 11  | 40-5   |
| AH77690  | 2E24 | 9   | 110-5  | AH79157  | 1F6  | 3   | 40-13  | AH80597  | 1E23 | 15  | 40-5   |
| AH77692  | 2C19 | 2   | 80-6   | AH79175  | 2C12 | 15  | 70-46  | AH80696  | 2E13 | 9   | 90-33  |
| AH77714  | 2B11 | 10  | 70-17  | AH79240  | 1J2  | 9   | 60-21  | AH80715  | 2D25 | 9   | 90-19  |
| AH77788  | 2I23 | 5   | 120-72 | AH79241  | 1J2  | 5   | 60-21  | AH80732  | 2J25 | 5   | 140-3  |
| AH77858  | 1H7  | 6   | 50-5   | AH79302  | 1F12 | 7   | 40-20  | AH80755  | 2G9  | 5   | 120-5  |
| AH77859  | 1H7  | 6   | 50-5   | AH79302  | 1F13 | 7   | 40-21  | AH80755  | 2G13 | 5   | 120-9  |
| AH77860  | 2B14 | 14  | 70-20  | AH79303  | 1F12 | 1   | 40-20  | AH80755  | 3B3  | 3   | 170-12 |



## NUMERICAL INDEX - CONTINUED

| PART NO. | GRID | KEY | PAGE   | PART NO. | GRID | KEY | PAGE   | PART NO. | GRID | KEY | PAGE   |
|----------|------|-----|--------|----------|------|-----|--------|----------|------|-----|--------|
| AH80757  | 2H3  | 9   | 120-24 | AH83817  | 3B2  | 7   | 170-11 | AH85356  | 2H25 | 6   | 120-47 |
| AH80757  | 3B3  | 4   | 170-12 | AH83821  | 2B24 | 3   | 70-33  | AH85357  | 2H25 | 7   | 120-47 |
| AH80789  | 2G14 | 19  | 120-10 | AH83821  | 2C3  | 6   | 70-37  | AH85380  | 2G11 | 16  | 120-7  |
| AH80881  | 1F6  | 21  | 40-13  | AH83821  | 2C5  | 5   | 70-39  | AH85380  | 2G11 | 17  | 120-7  |
| AH80916  | 1H21 | 17  | 50-19  | AH83821  | 2C9  | 5   | 70-43  | AH85380  | 2G11 | 18A | 120-7  |
| AH80920  | 2E4  | 4   | 90-23  | AH83835  | 2B15 | ..  | 70-21  | AH85396  | 2G11 | 5   | 120-7  |
| AH80928  | 2G1  | 13  | 110-33 | AH83835  | 2B17 | 11  | 70-23  | AH85396  | 2G11 | 8   | 120-7  |
| AH80937  | 2E25 | 8   | 110-6  | AH83835  | 2B17 | ..  | 70-23  | AH85408  | 2J15 | 17  | 130-13 |
| AH80937  | 2F1  | 8   | 110-7  | AH83835  | 2B17 | ..  | 70-23  | AH85412  | 2H20 | 8   | 120-41 |
| AH80954  | 2B4  | 23  | 70-9   | AH83836  | 2B15 | ..  | 70-21  | AH85435  | 2F16 | 3   | 110-23 |
| AH81161  | 1C11 | 8   | 20-43  | AH83843  | 2B3  | 16  | 70-8   | AH85437  | 2F15 | 1   | 110-22 |
| AH81161  | 2G1  | 15  | 110-33 | AH83845  | 1I20 | 8   | 60-14  | AH85442  | 2E3  | 11  | 90-22  |
| AH81161  | 2G19 | 4   | 120-15 | AH83847  | 2B3  | 2   | 70-8   | AH85443  | 2E1  | 6   | 90-20  |
| AH81161  | 2G20 | 15  | 120-16 | AH83847  | 2B12 | 9   | 70-18  | AH85457  | 2D14 | 21  | 90-8   |
| AH81163  | 2E24 | 2   | 110-5  | AH83848  | 1E16 | 4   | 30-45  | AH85464  | 2D14 | 6   | 90-8   |
| AH81164  | 2B25 | 18  | 70-34  | AH83874  | 2J5  | 3   | 130-3  | AH85485  | 2E5  | 13  | 90-24  |
| AH81165  | 2B25 | 17  | 70-34  | AH83876  | 2J5  | 1   | 130-3  | AH85491  | 2J15 | 15  | 130-13 |
| AH81166  | 2B25 | 1   | 70-34  | AH83876  | 2J5  | 5   | 130-3  | AH85648  | 2C18 | 6   | 80-5   |
| AH81166  | 2B25 | 2   | 70-34  | AH83985  | 1E14 | 9   | 30-43  | AH85649  | 2C18 | 11  | 80-5   |
| AH81166  | 2B25 | 3   | 70-34  | AH84096  | 2H16 | 11  | 120-37 | AH85660  | 2H15 | 3   | 120-36 |
| AH81166  | 2B25 | 4   | 70-34  | AH84125  | 2D25 | 16  | 90-19  | AH85663  | 2H9  | 9   | 120-30 |
| AH81166  | 2B25 | 5   | 70-34  | AH84126  | 2D25 | 20  | 90-19  | AH85663  | 2H10 | 9   | 120-31 |
| AH81166  | 2B25 | 6   | 70-34  | AH84127  | 2D25 | 19  | 90-19  | AH85700  | 1I4  | 11  | 50-27  |
| AH81166  | 2B25 | 7   | 70-34  | AH84128  | 2D25 | 27  | 90-19  | AH85700  | 3A24 | 16  | 170-7  |
| AH81166  | 2B25 | 8   | 70-34  | AH84129  | 2D25 | 11  | 90-19  | AH85846  | 3A21 | 3   | 170-3  |
| AH81166  | 2B25 | 9   | 70-34  | AH84155  | 2I5  | 4   | 120-53 | AH85910  | 2D1  | 6   | 80-13  |
| AH81166  | 2B25 | ..  | 70-34  | AH84216  | 2H4  | 3   | 120-25 | AH86431  | 2G22 | 3   | 120-19 |
| AH81166  | 2C2  | 9   | 70-36  | AH84218  | 2H4  | 3   | 120-25 | AH86434  | 2E1  | 7   | 90-20  |
| AH81167  | 2B25 | 3   | 70-34  | AH84241  | 2F8  | 1   | 110-15 | AH86439  | 2E1  | 10  | 90-20  |
| AH81167  | 2B25 | 4   | 70-34  | AH84241  | 2F8  | 8   | 110-15 | AH86440  | 2E1  | 5   | 90-20  |
| AH81167  | 2B25 | 6   | 70-34  | AH84242  | 2K1  | 15  | 140-4  | AH86441  | 2E1  | 4   | 90-20  |
| AH81167  | 2B25 | 7   | 70-34  | AH84242  | 3B5  | 2   | 170-15 | AH86444  | 2D14 | 6   | 90-8   |
| AH81167  | 2B25 | 8   | 70-34  | AH84244  | 2J12 | 22  | 130-10 | AH86445  | 2D13 | 9   | 90-7   |
| AH81167  | 2B25 | 9   | 70-34  | AH84244  | 3B12 | 8   | 170-23 | AH86555  | 2E1  | 9   | 90-20  |
| AH81167  | 2B25 | ..  | 70-34  | AH84400  | 2I24 | 13  | 120-73 | AH86559  | 2E1  | 12  | 90-20  |
| AH81167  | 2C1  | 6   | 70-35  | AH84588  | 1F11 | 14  | 40-19  | AH86560  | 2E1  | 11  | 90-20  |
| AH81168  | 1H22 | 16  | 50-20  | AH84613  | 2F21 | 7   | 110-28 | AH86563  | 2E1  | 1   | 90-20  |
| AH81544  | 2D25 | 7   | 90-19  | AH84613  | 2F23 | 6   | 110-30 | AH86589  | 2K3  | 1   | 140-6  |
| AH81733  | 1E22 | 8   | 40-4   | AH84613  | 3B2  | 7   | 170-11 | AH86590  | 2H15 | 12  | 120-36 |
| AH83211  | 2I13 | 5   | 120-61 | AH84613  | 3B2  | 10  | 170-11 | AH86591  | 2H15 | 12  | 120-36 |
| AH83289  | 2D14 | 23  | 90-8   | AH84636  | 1H4  | 3   | 50-2   | AH86596  | 1I4  | 19  | 50-27  |
| AH83337  | 1C22 | 3   | 30-1   | AH84657  | 2E23 | 7   | 110-4  | AH86624  | 2B14 | 25  | 70-20  |
| AH83352  | 2J10 | 12  | 130-8  | AH84845  | 2J25 | 21  | 140-3  | AH86630  | 2B13 | ..  | 70-19  |
| AH83380  | 2G13 | 14  | 120-9  | AH84845  | 3A24 | 3   | 170-7  | AH86633  | 2J12 | 12  | 130-10 |
| AH83426  | 2F8  | 6   | 110-15 | AH84885  | 2J25 | 18  | 140-3  | AH86644  | 2B14 | 9   | 70-20  |
| AH83430  | 2C19 | 1   | 80-6   | AH84885  | 3A24 | 3   | 170-7  | AH86791  | 2D16 | 1   | 90-10  |
| AH83452  | 2D11 | 24  | 90-5   | AH84897  | 2F21 | 19  | 110-28 | AH86807  | 2B15 | 10  | 70-21  |
| AH83462  | 1C23 | 7   | 30-2   | AH84898  | 2F24 | 3   | 110-31 | AH86808  | 2B15 | 7   | 70-21  |
| AH83518  | 2B18 | 3   | 70-25  | AH84962  | 2F13 | 1   | 110-20 | AH86809  | 2B15 | 8   | 70-21  |
| AH83518  | 3B2  | 15  | 170-11 | AH84966  | 2C20 | 2   | 80-7   | AH86810  | 2B15 | 20  | 70-21  |
| AH83521  | 1I1  | 8   | 50-24  | AH85041  | 1C16 | 7   | 20-48  | AH86813  | 2B15 | 26  | 70-21  |
| AH83521  | 1I9  | 14  | 60-2   | AH85041  | 3A21 | 11  | 170-3  | AH86814  | 2B15 | 28  | 70-21  |
| AH83521  | 2B16 | 9   | 70-22  | AH85259  | 1F17 | 2   | 40-26  | AH86824  | 2E1  | 3   | 90-20  |
| AH83521  | 2J11 | 6   | 130-9  | AH85260  | 1F17 | 1   | 40-26  | AH86825  | 2E1  | 13  | 90-20  |
| AH83616  | 2E25 | 5   | 110-6  | AH85266  | 1E20 | 2   | 40-2   | AH86829  | 1I5  | 8   | 50-28  |
| AH83617  | 2F1  | 5   | 110-7  | AH85268  | 1E22 | 12  | 40-4   | AH86835  | 2G1  | 15  | 110-33 |
| AH83623  | 2E25 | 5   | 110-6  | AH85276  | 2F16 | 14  | 110-23 | AH86835  | 2G19 | 4   | 120-15 |
| AH83627  | 2E25 | 3   | 110-6  | AH85276  | 2F25 | 3   | 110-32 | AH86835  | 3A24 | 9   | 170-7  |
| AH83628  | 2F1  | 3   | 110-7  | AH85276  | 2H18 | 1   | 120-39 | AH86835  | 3B2  | 6   | 170-11 |
| AH83631  | 2F1  | 5   | 110-7  | AH85276  | 2I17 | 2   | 120-65 | AH86836  | 2G20 | 28  | 120-16 |
| AH83679  | 1F17 | 11  | 40-26  | AH85276  | 2K2  | 7   | 140-5  | AH86839  | 2G20 | 16  | 120-16 |
| AH83691  | 2F13 | 12  | 110-20 | AH85276  | 3A25 | 4   | 170-9  | AH86839  | 3A24 | 10  | 170-7  |
| AH83759  | 1F5  | 14  | 40-12  | AH85276  | 3B2  | 9   | 170-11 | AH86853  | 2D25 | 5   | 90-19  |
| AH83763  | 1F6  | 17  | 40-13  | AH85276  | 3B2  | 17  | 170-11 | AH86860  | 2F8  | 1   | 110-15 |
| AH83815  | 2F23 | 8   | 110-30 | AH85276  | 3B7  | 3   | 170-17 | AH86861  | 2F8  | 1   | 110-15 |
| AH83815  | 3B2  | 10  | 170-11 | AH85276  | 3B10 | 2   | 170-21 | AH86866  | 1H4  | 5   | 50-2   |
| AH83816  | 2F21 | 9   | 110-28 | AH85351  | 2I4  | 5   | 120-51 | AH86873  | 2G14 | 7   | 120-10 |

# 1K25

## NUMERICAL INDEX - CONTINUED

| PART NO. | GRID | KEY | PAGE   | PART NO. | GRID | KEY | PAGE   | PART NO. | GRID | KEY | PAGE   |
|----------|------|-----|--------|----------|------|-----|--------|----------|------|-----|--------|
| AH86881  | 2J25 | 6   | 140-3  | AH87977  | 2E11 | 2   | 90-30  | AH90633  | 2H18 | 22  | 120-39 |
| AH86893  | 2I5  | 1   | 120-53 | AH88520  | 1H4  | 3   | 50-2   | AH90633  | 3B7  | 5   | 170-17 |
| AH86897  | 2I14 | 17  | 120-62 | AH88807  | 2A23 | 11  | 70-4   | AH90642  | 1I24 | 2   | 60-18  |
| AH86897  | 2I22 | 16  | 120-71 | AH88807  | 2A23 | 19  | 70-4   | AH90662  | 1E20 | 12  | 40-2   |
| AH86900  | 2G1  | 19  | 110-33 | AH88807  | 2A23 | 24  | 70-4   | AH90683  | 2K11 | 17  | 160-7  |
| AH87111  | 1H24 | 5   | 50-22  | AH88807  | 2A23 | 28  | 70-4   | AH90684  | 2K11 | ..  | 160-7  |
| AH87111  | 1H25 | 6   | 50-23  | AH88807  | 2A24 | 57  | 70-5   | AH90686  | 2K7  | 2   | 160-3  |
| AH87112  | 1H24 | 6   | 50-22  | AH88807  | 2A24 | 58  | 70-5   | AH90686  | 2K7  | 4   | 160-3  |
| AH87112  | 1H25 | 7   | 50-23  | AH88807  | 2A24 | 60  | 70-5   | AH90686  | 2K7  | 6   | 160-3  |
| AH87118  | 2G1  | 15  | 110-33 | AH88807  | 2A24 | ..  | 70-5   | AH90686  | 2K7  | ..  | 160-3  |
| AH87155  | 2G24 | 23  | 120-21 | AH88817  | 1C15 | 5   | 20-47  | AH90688  | 2K10 | 6   | 160-6  |
| AH87155  | 2H2  | 21  | 120-23 | AH88881  | 2E6  | 13  | 90-25  | AH90688  | 2K10 | 7   | 160-6  |
| AH87155  | 3B3  | 1   | 170-12 | AH88883  | 1F12 | 9   | 40-20  | AH90688  | 2K10 | 8   | 160-6  |
| AH87161  | 1F23 | ..  | 40-32  | AH88883  | 1F13 | 11  | 40-21  | AH90688  | 2K10 | 9   | 160-6  |
| AH87197  | 3B2  | 12  | 170-11 | AH88893  | 2I19 | 16  | 120-68 | AH90688  | 2K10 | ..  | 160-6  |
| AH87202  | 2J12 | 6   | 130-10 | AH88983  | 2I18 | 1   | 120-67 | AH90690  | 2K11 | 5   | 160-7  |
| AH87207  | 2K1  | 6   | 140-4  | AH88986  | 2I13 | 7   | 120-61 | AH90738  | 2H22 | 26  | 120-43 |
| AH87219  | 1E20 | 22  | 40-2   | AH88990  | 2I18 | 11  | 120-67 | AH90761  | 2F12 | 9   | 110-19 |
| AH87258  | 1E24 | 6   | 40-7   | AH89028  | 2E21 | 10  | 110-1  | AH90781  | 1F2  | 5   | 40-9   |
| AH87260  | 1E24 | 12  | 40-7   | AH89038  | 2E21 | 3   | 110-1  | AH90798  | 2K12 | 12  | 160-8  |
| AH87263  | 1H24 | 14  | 50-22  | AH89038  | 2E21 | 5   | 110-1  | AH90839  | 1C16 | 3   | 20-48  |
| AH87264  | 2B9  | 18  | 70-15  | AH89038  | 2E21 | 6   | 110-1  | AH90875  | 1F9  | ..  | 40-17  |
| AH87264  | 2B10 | 7   | 70-16  | AH89038  | 2E21 | 7   | 110-1  | AH90892  | 2K10 | 10  | 160-6  |
| AH87272  | 2C25 | 2   | 80-12  | AH89045  | 2K8  | 3   | 160-4  | AH90892  | 2K10 | 12  | 160-6  |
| AH87289  | 1E17 | 14  | 30-46  | AH89045  | 2K8  | 4   | 160-4  | AH90894  | 2C21 | 5   | 80-8   |
| AH87533  | 1C16 | 9   | 20-48  | AH89045  | 2K8  | 5   | 160-4  | AH90897  | 1F20 | 6   | 40-29  |
| AH87545  | 1I25 | 5   | 60-19  | AH89058  | 2C22 | 2   | 80-9   | AH90897  | 1F20 | ..  | 40-29  |
| AH87546  | 1I24 | 3   | 60-18  | AH89356  | 2K9  | 13  | 160-5  | AH90898  | 1F20 | 7   | 40-29  |
| AH87547  | 1I24 | 3   | 60-18  | AH89357  | 2K5  | 2   | 160-1  | AH90899  | 1F20 | 1   | 40-29  |
| AH87560  | 1C15 | 1   | 20-47  | AH89357  | 2K6  | 4   | 160-2  | AH90990  | 1E21 | 13  | 40-3   |
| AH87561  | 1C15 | 4   | 20-47  | AH89358  | 2K7  | 9   | 160-3  | AH90998  | 2D2  | 5   | 80-14  |
| AH87574  | 2C24 | 1   | 80-11  | AH89362  | 2C8  | 11  | 70-42  | AH91001  | 1F18 | 1   | 40-27  |
| AH87584  | 2C23 | 16  | 80-10  | AH89479  | 2A21 | ..  | 70-2   | AH91002  | 2G15 | 1   | 120-11 |
| AH87586  | 2C23 | 19  | 80-10  | AH89501  | 2F12 | 5   | 110-19 | AH91003  | 2E17 | 10  | 90-37  |
| AH87591  | 2F24 | 6   | 110-31 | AH89516  | 2F2  | 3   | 110-9  | AH91006  | 2I6  | 3   | 120-54 |
| AH87592  | 2C6  | 16  | 70-40  | AH89518  | 2F2  | 3   | 110-9  | AH91068  | 1I17 | 24  | 60-11  |
| AH87592  | 2F24 | 9   | 110-31 | AH89557  | 1E21 | 2   | 40-3   | AH91123  | 1F15 | 6   | 40-24  |
| AH87612  | 2D3  | 3   | 80-15  | AH89557  | 2K13 | 3   | 160-9  | AH91124  | 1F15 | 1   | 40-24  |
| AH87697  | 1E17 | 10  | 30-46  | AH89557  | 2K14 | 3   | 160-10 | AH91125  | 1F15 | 2   | 40-24  |
| AH87704  | 1F20 | 11  | 40-29  | AH89560  | 2K13 | 2   | 160-9  | AH91326  | 2E15 | 10  | 90-35  |
| AH87713  | 2D13 | 1   | 90-7   | AH89562  | 2K13 | 4   | 160-9  | AH91336  | 1F6  | 15  | 40-13  |
| AH87716  | 2G7  | 5   | 120-3  | AH89563  | 2K13 | 8   | 160-9  | AH91336  | 1F6  | 19  | 40-13  |
| AH87718  | 2J4  | 3   | 130-2  | AH89563  | 2K14 | 9   | 160-10 | AH91607  | 2E15 | 13  | 90-35  |
| AH87730  | 2C21 | 14  | 80-8   | AH89593  | 2E15 | 9   | 90-35  | AH91612  | 2E15 | 1   | 90-35  |
| AH87737  | 1C14 | 15A | 20-46  | AH89603  | 2B12 | 4   | 70-18  | AH91707  | 2C25 | 1   | 80-12  |
| AH87737  | 1C15 | 10  | 20-47  | AH89607  | 2K9  | 9   | 160-5  | AH91798  | 2A21 | 10  | 70-2   |
| AH87737  | 1E20 | 9   | 40-2   | AH89609  | 2K9  | 1   | 160-5  | AH91799  | 2A21 | 11  | 70-2   |
| AH87744  | 2E5  | 6   | 90-24  | AH89610  | 2K9  | 19  | 160-5  | AH91817  | 1F6  | 15  | 40-13  |
| AH87745  | 2I14 | 17  | 120-62 | AH89613  | 2K9  | 17  | 160-5  | AH92078  | 2D21 | 3   | 90-15  |
| AH87749  | 2I22 | 16  | 120-71 | AH89615  | 2B3  | 20  | 70-8   | AH92112  | 2I11 | 12  | 120-59 |
| AH87765  | 2I14 | 17  | 120-62 | AH89678  | 1C13 | 1   | 20-45  | AH92113  | 2I11 | 9   | 120-59 |
| AH87765  | 2I22 | 16  | 120-71 | AH89687  | 2J12 | 19  | 130-10 | AH92222  | 2C21 | 4   | 80-8   |
| AH87795  | 2D11 | 4   | 90-5   | AH89813  | 2E6  | 3   | 90-25  | AH92224  | 2C21 | 1   | 80-8   |
| AH87796  | 2D11 | 2   | 90-5   | AH89814  | 2E6  | 2   | 90-25  | AH92251  | 2H9  | 13  | 120-30 |
| AH87806  | 1F17 | 23  | 40-26  | AH89816  | 2E6  | 8   | 90-25  | AH92252  | 2H9  | 2   | 120-30 |
| AH87867  | 2E3  | 1   | 90-22  | AH89824  | 1I16 | 19  | 60-10  | AH92362  | 1F12 | 3   | 40-20  |
| AH87873  | 1H4  | 3   | 50-2   | AH90273  | 2H19 | 10  | 120-40 | AH92372  | 2G11 | 24  | 120-7  |
| AH87874  | 2I4  | 1   | 120-51 | AH90273  | 3B7  | 1   | 170-17 | AH92374  | 2G7  | 18  | 120-3  |
| AH87875  | 2I4  | 1   | 120-51 | AH90288  | 1C17 | 4   | 20-49  | AH92376  | 2G7  | 27  | 120-3  |
| AH87876  | 2I4  | 1   | 120-51 | AH90298  | 2D8  | 2   | 90-1   | AH92380  | 2G7  | 28  | 120-3  |
| AH87926  | 1F2  | 13A | 40-9   | AH90485  | 2D17 | 1   | 90-11  | AH92382  | 2G11 | 15  | 120-7  |
| AH87927  | 1F2  | 10  | 40-9   | AH90493  | 1H12 | 18  | 50-10  | AH92414  | 2H6  | 22  | 120-27 |
| AH87929  | 1C13 | 16  | 20-45  | AH90493  | 1H12 | 19  | 50-10  | AH92414  | 2H7  | 7   | 120-28 |
| AH87929  | 3A22 | 4   | 170-5  | AH90514  | 2J25 | 4   | 140-3  | AH92498  | 1C14 | 16  | 20-46  |
| AH87949  | 2I16 | 6   | 120-64 | AH90527  | 2E22 | 4   | 110-3  | AH92499  | 2E13 | 1   | 90-33  |
| AH87968  | 2E15 | 5   | 90-35  | AH90543  | 1H3  | 1   | 50-1   | AH92606  | 2B16 | 11  | 70-22  |
| AH87970  | 2E15 | 6   | 90-35  | AH90623  | 2I18 | 18  | 120-67 | AH92607  | 1I1  | 9   | 50-24  |

## NUMERICAL INDEX - CONTINUED

| PART NO. | GRID | KEY | PAGE   | PART NO. | GRID | KEY | PAGE   | PART NO. | GRID | KEY | PAGE   |
|----------|------|-----|--------|----------|------|-----|--------|----------|------|-----|--------|
| AH92608  | 2B16 | 10  | 70-22  | AH96223  | 1F21 | 28  | 40-30  | AH99677  | 1H9  | 7   | 50-7   |
| AH92608  | 2J11 | 5   | 130-9  | AH96224  | 1F5  | 1   | 40-12  | AH99693  | 2H5  | 12  | 120-26 |
| AH92661  | 1C13 | 4   | 20-45  | AH96244  | 1F2  | 6   | 40-9   | AH99755  | 2H5  | 15  | 120-26 |
| AH92662  | 1C11 | 11  | 20-43  | AH96276  | 2E3  | 9   | 90-22  | AH99828  | 2C7  | 8   | 70-41  |
| AH92686  | 2D2  | 1   | 80-14  | AH96284  | 2F8  | 1   | 110-15 | AJ2765H  | 3B2  | 20  | 170-11 |
| AH93030  | 2H5  | 10  | 120-26 | AH96289  | 2E1  | 2   | 90-20  | AJ2766H  | 3B2  | 20  | 170-11 |
| AH93030  | 2H6  | 22  | 120-27 | AH96295  | 2F8  | 1   | 110-15 | AJ2767H  | 3B2  | 20  | 170-11 |
| AH93030  | 2H7  | 7   | 120-28 | AH96309  | 1F11 | 16  | 40-19  | AL2976T  | 1E22 | 8   | 40-4   |
| AH93170  | 1G2  | 1   | 40-35  | AH96319  | 2E2  | 1   | 90-21  | AL2976T  | 1G16 | 20  | 40-51  |
| AH93195  | 2H3  | 2   | 120-24 | AH96387  | 2E4  | 3   | 90-23  | AM100539 | 2B1  | 17  | 70-6   |
| AH93206  | 2H3  | 7   | 120-24 | AH96492  | 1C17 | 12  | 20-49  | AM100539 | 2B8  | 16  | 70-13  |
| AH93230  | 1C22 | 9   | 30-1   | AH96492  | 1C18 | 12  | 20-50  | AM100541 | 2B1  | 24  | 70-6   |
| AH93235  | 2D2  | 6   | 80-14  | AH96530  | 2G9  | 22  | 120-5  | AM100541 | 2B8  | 14  | 70-13  |
| AH93255  | 1I8  | 13  | 60-1   | AH96547  | 1C22 | 17  | 30-1   | AM2985T  | 1B10 | 10  | 20-17  |
| AH93277  | 1H3  | 3   | 50-1   | AH96558  | 2I6  | 10  | 120-54 | AM2985T  | 1B11 | 10  | 20-18  |
| AH93292  | 1H22 | 4   | 50-20  | AH96679  | 1I8  | 8   | 60-1   | AM30347  | 1J3  | 11  | 60-22  |
| AH93293  | 1H22 | 3   | 50-20  | AH96680  | 1I11 | 19  | 60-4   | AM30686  | 1I3  | 13  | 50-26  |
| AH93294  | 1H22 | 14  | 50-20  | AH96681  | 1I11 | 19  | 60-4   | AM31282  | 1F20 | 7   | 40-29  |
| AH93325  | 1C13 | 7   | 20-45  | AH96699  | 2C8  | 1   | 70-42  | AM31284  | 1E20 | 18  | 40-2   |
| AH93325  | 1C13 | ..  | 20-45  | AH96744  | 1I16 | 14  | 60-10  | AM3208T  | 1F6  | 30  | 40-13  |
| AH93337  | 1H22 | 4   | 50-20  | AH96760  | 2I19 | ..  | 120-68 | AM3426T  | 1I23 | 9   | 60-17  |
| AH93351  | 2C24 | 7   | 80-11  | AH96779  | 1I10 | 1   | 60-3   | AM38629  | 2A23 | 24  | 70-4   |
| AH93599  | 1E17 | 12  | 30-46  | AH96780  | 1I10 | 2   | 60-3   | AM39968  | 1G9  | 26  | 40-43  |
| AH93670  | 2D11 | 5   | 90-5   | AH96781  | 1I10 | 9   | 60-3   | AM39968  | 1G14 | 3   | 40-49  |
| AH93797  | 2I21 | 3   | 120-70 | AH96782  | 1I10 | 8   | 60-3   | AM39969  | 1G14 | 1   | 40-49  |
| AH93842  | 1E24 | 8   | 40-7   | AH96810  | 2F21 | 19  | 110-28 | AM39970  | 1G9  | 24  | 40-43  |
| AH93852  | 1H18 | 2   | 50-16  | AH97031  | 2K2  | 7   | 140-5  | AM531T   | 1E21 | 14  | 40-3   |
| AH93852  | 1H19 | 2   | 50-17  | AH97326  | 2J10 | 2   | 130-8  | AM531T   | 1F15 | 4   | 40-24  |
| AH93926  | 2D3  | 4   | 80-15  | AH97858  | 2D13 | 24  | 90-7   | AM53945  | 1F6  | 1   | 40-13  |
| AH94130  | 2G16 | 10  | 120-12 | AH97859  | 1C24 | 25  | 30-3   | AN102382 | 2E21 | 1   | 110-1  |
| AH94133  | 1I16 | 1   | 60-10  | AH97868  | 1C22 | 1   | 30-1   | AN102383 | 2E21 | 13  | 110-1  |
| AH94189  | 1F5  | 1   | 40-12  | AH97869  | 1C22 | 19  | 30-1   | AN110020 | 1C14 | 5   | 20-46  |
| AH94189  | 1F5  | 3   | 40-12  | AH97870  | 2D13 | 18A | 90-7   | AN131153 | 2C11 | 6   | 70-45  |
| AH94189  | 1F5  | 6   | 40-12  | AH97871  | 2B5  | 6   | 70-10  | AN15237  | 2H18 | 26  | 120-39 |
| AH94459  | 2F14 | 1   | 110-21 | AH97872  | 1D4  | 2   | 30-8   | AN15237  | 3B7  | 4   | 170-17 |
| AH94460  | 2F14 | 1   | 110-21 | AH97873  | 2G17 | 5   | 120-13 | AN30940  | 2A24 | 38  | 70-5   |
| AH94512  | 1F15 | ..  | 40-24  | AH97875  | 2C22 | 11  | 80-9   | AN30940  | 2B2  | 37  | 70-7   |
| AH94598  | 2H9  | 18  | 120-30 | AH97884  | 2D22 | 13  | 90-16  | AN33434  | 2B4  | 36  | 70-9   |
| AH94598  | 2H10 | 18  | 120-31 | AH97885  | 2D17 | 1   | 90-11  | AN33434  | 2K9  | 18  | 160-5  |
| AH94705  | 2F22 | 12  | 110-29 | AH97886  | 2D15 | 28  | 90-9   | AN85023  | 2J25 | 25  | 140-3  |
| AH94706  | 2F23 | 14  | 110-30 | AH97887  | 2D14 | 13  | 90-8   | AP15291  | 3A24 | 12  | 170-7  |
| AH94800  | 3B17 | ..  | 170-28 | AH97888  | 2D17 | 2   | 90-11  | AP18380  | 1J2  | 1   | 60-21  |
| AH94803  | 1I4  | 21  | 50-27  | AH97889  | 2D17 | 6   | 90-11  | AP19351  | 2I24 | 4   | 120-73 |
| AH94812  | 1I8  | 2   | 60-1   | AH97894  | 2J1  | 2   | 120-75 | AP19599  | 1H11 | 11  | 50-9   |
| AH94858  | 2B11 | 4   | 70-17  | AH97895  | 1H24 | 8   | 50-22  | AP19993  | 3B12 | 2   | 170-23 |
| AH95011  | 1C17 | 8   | 20-49  | AH97973  | 2D23 | 1   | 90-17  | AP19993  | 3B12 | 5   | 170-23 |
| AH95011  | 1C18 | 8   | 20-50  | AH97975  | 2B6  | 5   | 70-11  | AP19994  | 3B12 | 2   | 170-23 |
| AH95012  | 2E23 | 15  | 110-4  | AH98003  | 2I4  | 5   | 120-51 | AP19994  | 3B12 | 5   | 170-23 |
| AH95018  | 2G17 | 27  | 120-13 | AH98052  | 3A24 | 14  | 170-7  | AP19997  | 3B9  | 6   | 170-19 |
| AH95020  | 2G17 | 5   | 120-13 | AH98053  | 2K3  | 10  | 140-6  | AP19997  | 3B12 | 2   | 170-23 |
| AH95281  | 1C13 | 13  | 20-45  | AH98176  | 2F9  | 5   | 110-16 | AP19997  | 3B12 | 5   | 170-23 |
| AH95281  | 1C13 | 14  | 20-45  | AH98176  | 3B2  | 2   | 170-11 | AP19998  | 3B12 | 5   | 170-23 |
| AH95367  | 2H17 | 8   | 120-38 | AH98337  | 1F12 | 6   | 40-20  | AP19999  | 3B12 | 5   | 170-23 |
| AH95373  | 1C11 | 9   | 20-43  | AH98337  | 1F13 | 5   | 40-21  | AP26308  | 2J17 | 5A  | 130-15 |
| AH95373  | 3A22 | 1   | 170-5  | AH98799  | 1C23 | 19  | 30-2   | AP26468  | 1E17 | 11  | 30-46  |
| AH95889  | 2G15 | ..  | 120-11 | AH98890  | 2F14 | 1   | 110-21 | AP27010  | 1D3  | 14  | 30-7   |
| AH95892  | 2G14 | 1   | 120-10 | AH98891  | 2F14 | 1   | 110-21 | AP27684  | 1D3  | 10  | 30-7   |
| AH95892  | 2G15 | ..  | 120-11 | AH98947  | 2C18 | 2   | 80-5   | AP27685  | 1D3  | 11  | 30-7   |
| AH95999  | 1H6  | 1   | 50-4   | AH99306  | 2H9  | 14  | 120-30 | AP27686  | 1D3  | 12  | 30-7   |
| AH96024  | 2G7  | 26  | 120-3  | AH99307  | 2H9  | 17  | 120-30 | AP27688  | 1D3  | 14  | 30-7   |
| AH96025  | 2G7  | 25  | 120-3  | AH99349  | 1I10 | 4   | 60-3   | AP6093H  | 3B2  | 3   | 170-11 |
| AH96050  | 1C11 | 7   | 20-43  | AH99360  | 1I11 | 23  | 60-4   | AP6093H  | 3B5  | 8   | 170-15 |
| AH96107  | 2J24 | 20  | 140-2  | AH99360  | 1I13 | 2   | 60-6   | AP6093H  | 3B12 | 7   | 170-23 |
| AH96107  | 3B2  | 13  | 170-11 | AH99408  | 2E5  | 13  | 90-24  | AP6094H  | 3B2  | 3   | 170-11 |
| AH96110  | 2D16 | 28  | 90-10  | AH99411  | 2E5  | 8   | 90-24  | AP6094H  | 3B5  | 8   | 170-15 |
| AH96177  | 2D22 | 5   | 90-16  | AH99422  | 2G15 | 13  | 120-11 | AP6095H  | 3B5  | 8   | 170-15 |
| AH96221  | 1C23 | 20  | 30-2   | AH99563  | 1H10 | 1   | 50-8   | AP6095H  | 3B12 | 7   | 170-23 |

## NUMERICAL INDEX - CONTINUED

| PART NO. | GRID | KEY | PAGE  | PART NO. | GRID | KEY | PAGE  | PART NO. | GRID | KEY | PAGE   |
|----------|------|-----|-------|----------|------|-----|-------|----------|------|-----|--------|
| AR100124 | 1B10 | 6   | 20-17 | AR31790  | 2D4  | ..  | 80-16 | AR50229  | 1G2  | 15  | 40-35  |
| AR100124 | 1B11 | 6   | 20-18 | AR32667  | 2K9  | 8   | 160-5 | AR50411  | 1C9  | 1   | 20-41  |
| AR100124 | 1C4  | 1   | 20-36 | AR34612  | 1D10 | ..  | 30-14 | AR50874  | 1D10 | 3   | 30-14  |
| AR101245 | 1F22 | 12  | 40-31 | AR34612  | 1D13 | ..  | 30-17 | AR50874  | 1D11 | 5   | 30-15  |
| AR101245 | 1F23 | 22  | 40-32 | AR34612  | 1D14 | ..  | 30-18 | AR50874  | 1D11 | 7   | 30-15  |
| AR102260 | 1B10 | 8   | 20-17 | AR34612  | 1D15 | ..  | 30-19 | AR50874  | 1D11 | 8   | 30-15  |
| AR102260 | 1B11 | 8   | 20-18 | AR34612  | 1D17 | ..  | 30-21 | AR51481  | 1F17 | 11  | 40-26  |
| AR102260 | 1C3  | 30  | 20-35 | AR34612  | 1D18 | ..  | 30-22 | AR51712  | 1D12 | 18  | 30-16  |
| AR102260 | 1C4  | 1   | 20-36 | AR34612  | 1D19 | 28  | 30-23 | AR51712  | 1D12 | 19  | 30-16  |
| AR102260 | 1C5  | 1   | 20-37 | AR35981  | 1C23 | 6   | 30-2  | AR51712  | 1D12 | 20  | 30-16  |
| AR102267 | 1C4  | ..  | 20-36 | AR36044  | 1E15 | 6   | 30-44 | AR51712  | 1D12 | 21  | 30-16  |
| AR102267 | 1C5  | 17  | 20-37 | AR37017  | 2B14 | 12  | 70-20 | AR51712  | 1D12 | 22  | 30-16  |
| AR102286 | 1C3  | 33  | 20-35 | AR37017  | 2K9  | 15  | 160-5 | AR51712  | 1D12 | 23  | 30-16  |
| AR102676 | 1E13 | 3   | 30-42 | AR40148  | 1C6  | 1   | 20-38 | AR51796  | 1D10 | ..  | 30-14  |
| AR103769 | 1B18 | 17  | 20-25 | AR40148  | 3A21 | 1   | 170-3 | AR51959  | 1D15 | 19  | 30-19  |
| AR1729R  | 1E14 | 1   | 30-43 | AR41691  | 1C6  | 9   | 20-38 | AR52077  | 1G2  | ..  | 40-35  |
| AR21823  | 1F17 | 12  | 40-26 | AR41754  | 1F22 | ..  | 40-31 | AR52159  | 1D20 | 5   | 30-24  |
| AR21823  | 1F17 | 21  | 40-26 | AR41754  | 1F23 | ..  | 40-32 | AR52217  | 1B25 | 1   | 20-32  |
| AR21836  | 1C15 | 14  | 20-47 | AR41756  | 1F22 | 3   | 40-31 | AR52269  | 1D16 | 8   | 30-20  |
| AR21836  | 2B12 | 3   | 70-18 | AR41756  | 1F23 | 3   | 40-32 | AR52269  | 1D16 | 9   | 30-20  |
| AR21837  | 1B22 | 1   | 20-29 | AR41758  | 1F22 | 1   | 40-31 | AR52556  | 1D20 | 4   | 30-24  |
| AR21837  | 1B22 | 4   | 20-29 | AR41758  | 1F23 | 1   | 40-32 | AR52725  | 1B2  | 3   | 20-9   |
| AR21837  | 1B23 | 1   | 20-30 | AR41785  | 1A21 | ..  | 20-3  | AR52725  | 1B3  | 3   | 20-10  |
| AR21837  | 1B23 | 4   | 20-30 | AR41870  | 1A21 | ..  | 20-3  | AR54445  | 1F17 | 13  | 40-26  |
| AR21837  | 1F2  | 9   | 40-9  | AR41942  | 1H22 | 18  | 50-20 | AR54749  | 1A21 | ..  | 20-3   |
| AR21837  | 2B3  | 23  | 70-8  | AR41950  | 1F22 | 8   | 40-31 | AR54749  | 1B20 | ..  | 20-27  |
| AR21837  | 2B21 | 20  | 70-29 | AR41950  | 1F23 | 18  | 40-32 | AR54749  | 1B21 | ..  | 20-28  |
| AR21837  | 2E17 | 4   | 90-37 | AR41951  | 1F22 | 9   | 40-31 | AR54923  | 1G8  | 6   | 40-42  |
| AR21837  | 2E17 | 15  | 90-37 | AR41951  | 1F23 | 19  | 40-32 | AR54923  | 1G9  | 6   | 40-43  |
| AR21839  | 1B22 | 1   | 20-29 | AR42119  | 1F20 | 17  | 40-29 | AR55649  | 1E20 | 1   | 40-2   |
| AR21839  | 1C7  | 2   | 20-39 | AR42591  | 1F20 | 17  | 40-29 | AR55649  | 1F9  | 2   | 40-17  |
| AR21839  | 1C14 | 6   | 20-46 | AR43856  | 1F21 | 13  | 40-30 | AR55694  | 1F17 | 25  | 40-26  |
| AR21839  | 2B3  | 10  | 70-8  | AR44361  | 1B25 | 9   | 20-32 | AR55759  | 1B20 | 6   | 20-27  |
| AR21839  | 2B21 | 17  | 70-29 | AR44402  | 1A20 | 1   | 20-1  | AR55978  | 1B20 | 1   | 20-27  |
| AR21840  | 1C14 | 17  | 20-46 | AR45014  | 1F23 | 10  | 40-32 | AR55978  | 1B20 | 3   | 20-27  |
| AR21840  | 1C15 | 8   | 20-47 | AR45436  | 1F17 | 19  | 40-26 | AR56671  | 2K15 | 2   | 160-11 |
| AR21841  | 1E14 | 3   | 30-43 | AR45438  | 1F17 | 5   | 40-26 | AR56675  | 1E20 | 17  | 40-2   |
| AR21842  | 2E13 | 4   | 90-33 | AR45530  | 1B10 | 6   | 20-17 | AR59444  | 1F21 | 1   | 40-30  |
| AR21999  | 1C14 | 18  | 20-46 | AR46115  | 1F7  | 13  | 40-14 | AR59621  | 1B24 | 11  | 20-31  |
| AR21999  | 1C15 | 12  | 20-47 | AR46323  | 1E17 | 4   | 30-46 | AR59663  | 1F24 | 2   | 40-33  |
| AR21999  | 1C22 | 4   | 30-1  | AR46983  | 1F23 | ..  | 40-32 | AR59780  | 2E13 | 7   | 90-33  |
| AR21999  | 1E16 | 2   | 30-45 | AR46984  | 1F23 | 8   | 40-32 | AR60937  | 1F17 | 9   | 40-26  |
| AR26417  | 1E14 | 4   | 30-43 | AR46984  | 1F23 | 10  | 40-32 | AR62399  | 1C9  | 7   | 20-41  |
| AR26625  | 1I16 | 6   | 60-10 | AR46985  | 1F23 | 9   | 40-32 | AR62492  | 1C9  | 8   | 20-41  |
| AR26635  | 1F3  | 18  | 40-10 | AR46986  | 1F22 | 4   | 40-31 | AR62978  | 1B24 | 2   | 20-31  |
| AR26635  | 1I22 | 11  | 60-16 | AR46986  | 1F23 | 6   | 40-32 | AR62979  | 1B24 | 6   | 20-31  |
| AR26674  | 1C24 | 31  | 30-3  | AR48219  | 1D10 | 9   | 30-14 | AR63212  | 1D15 | 18  | 30-19  |
| AR26721  | 1F18 | 3   | 40-27 | AR48236  | 1C14 | 2   | 20-46 | AR63213  | 1D15 | 17  | 30-19  |
| AR26724  | 2B3  | 19  | 70-8  | AR48236  | 1D7  | 38  | 30-11 | AR63218  | 1A20 | ..  | 20-1   |
| AR26724  | 2B14 | 23  | 70-20 | AR48640  | 1F17 | 17  | 40-26 | AR63219  | 1A20 | ..  | 20-1   |
| AR26724  | 2B21 | 6   | 70-29 | AR48723  | 1F20 | 1   | 40-29 | AR63222  | 1A20 | ..  | 20-1   |
| AR26725  | 1I20 | 2   | 60-14 | AR49352  | 1E20 | 5   | 40-2  | AR63223  | 1A20 | ..  | 20-1   |
| AR26725  | 2B11 | 2   | 70-17 | AR49352  | 1F9  | 3   | 40-17 | AR63224  | 1A20 | ..  | 20-1   |
| AR26732  | 1C6  | 5   | 20-38 | AR49352  | 1F11 | 11  | 40-19 | AR63227  | 1A20 | ..  | 20-1   |
| AR26732  | 1C7  | 5   | 20-39 | AR49542  | 1D10 | 3   | 30-14 | AR63228  | 1A20 | ..  | 20-1   |
| AR26763  | 2B3  | 21  | 70-8  | AR49543  | 1D10 | ..  | 30-14 | AR63229  | 1A20 | ..  | 20-1   |
| AR26763  | 2K9  | 6   | 160-5 | AR49803  | 2E8  | 2   | 90-27 | AR63230  | 1A20 | ..  | 20-1   |
| AR26828  | 2B21 | 14  | 70-29 | AR49808  | 2E7  | 4   | 90-26 | AR63954  | 1D1  | 1   | 30-5   |
| AR27699  | 2B12 | 5   | 70-18 | AR49907  | 1D6  | 6   | 30-10 | AR63979  | 1A20 | ..  | 20-1   |
| AR27814  | 1D5  | 1   | 30-9  | AR49907  | 1D9  | 35  | 30-13 | AR63980  | 1A20 | ..  | 20-1   |
| AR28040  | 1E14 | 3   | 30-43 | AR49915  | 1D6  | 20  | 30-10 | AR64406  | 1A22 | 3   | 20-4   |
| AR28403  | 1F9  | 11  | 40-17 | AR50040  | 1C25 | 4   | 30-4  | AR64413  | 1A23 | ..  | 20-5   |
| AR28602  | 1D17 | 16  | 30-21 | AR50040  | 1D1  | 3   | 30-5  | AR64415  | 1B22 | 13  | 20-29  |
| AR30053  | 1F17 | 10  | 40-26 | AR50041  | 1C25 | 11  | 30-4  | AR64415  | 1B22 | 14  | 20-29  |
| AR30394  | 1F17 | 6   | 40-26 | AR50041  | 1D1  | 8   | 30-5  | AR64422  | 1E24 | 11  | 40-7   |
| AR30736  | 1D15 | 10  | 30-19 | AR50226  | 1G2  | 26  | 40-35 | AR65005  | 1G21 | 1   | 40-56  |
| AR31674  | 2C11 | 2   | 70-45 | AR50227  | 1G2  | 31  | 40-35 | AR65006  | 1G21 | 2   | 40-56  |

## NUMERICAL INDEX - CONTINUED

| PART NO. | GRID | KEY | PAGE  | PART NO. | GRID | KEY | PAGE  | PART NO. | GRID | KEY | PAGE  |
|----------|------|-----|-------|----------|------|-----|-------|----------|------|-----|-------|
| AR65507  | 1B21 | 9   | 20-28 | AR71981  | 1F23 | ..  | 40-32 | AR88239  | 1D6  | 17  | 30-10 |
| AR65507  | 1C3  | 25  | 20-35 | AR73311  | 1F24 | 1   | 40-33 | AR88239  | 1D6  | 24  | 30-10 |
| AR65507  | 1C3  | 33  | 20-35 | AR73828  | 1D18 | 3   | 30-22 | AR88239  | 1D9  | 10  | 30-13 |
| AR65596  | 1B7  | 12  | 20-14 | AR73829  | 1D18 | 3   | 30-22 | AR88239  | 1D9  | 19  | 30-13 |
| AR67077  | 1B24 | ..  | 20-31 | AR74154  | 1C7  | 6   | 20-39 | AR88239  | 1D21 | 14  | 30-25 |
| AR67398  | 1E24 | 11  | 40-7  | AR76129  | 1B16 | 4   | 20-23 | AR89564  | 1D9  | 10  | 30-13 |
| AR67673  | 1B24 | ..  | 20-31 | AR76704  | 1D6  | 26  | 30-10 | AR89564  | 1D9  | 19  | 30-13 |
| AR67675  | 1D12 | 12  | 30-16 | AR76704  | 1D9  | 11  | 30-13 | AR89564  | 1D21 | 14  | 30-25 |
| AR67675  | 1D13 | 13  | 30-17 | AR76704  | 1D24 | 32  | 30-29 | AR89564  | 1D22 | 11  | 30-27 |
| AR67675  | 1D14 | 8   | 30-18 | AR76704  | 1D24 | 35  | 30-29 | AR89564  | 1D22 | 17  | 30-27 |
| AR67737  | 1D24 | 1   | 30-29 | AR77344  | 1F12 | 12  | 40-20 | AR89564  | 1E11 | 15  | 30-40 |
| AR67738  | 1D24 | 2   | 30-29 | AR77345  | 1F12 | 2   | 40-20 | AR89564  | 1E11 | 18  | 30-40 |
| AR67739  | 1D24 | 3   | 30-29 | AR77411  | 1C7  | 9   | 20-39 | AR89564  | 1E11 | 22  | 30-40 |
| AR67740  | 1D24 | 4   | 30-29 | AR77682  | 1C6  | 22  | 20-38 | AR89959  | 1D24 | 7   | 30-29 |
| AR67741  | 1D24 | 5   | 30-29 | AR77762  | 1B20 | 7   | 20-27 | AR89960  | 1D9  | 8   | 30-13 |
| AR67742  | 1D24 | 6   | 30-29 | AR78041  | 1B20 | 10  | 20-27 | AR90340  | 1D10 | 9   | 30-14 |
| AR67820  | 1B14 | 26  | 20-21 | AR78501  | 2E7  | 11  | 90-26 | AR90340  | 1D10 | 14  | 30-14 |
| AR67820  | 1B15 | 26  | 20-22 | AR78596  | 1F21 | 16  | 40-30 | AR90340  | 1D10 | ..  | 30-14 |
| AR67821  | 1B4  | 5   | 20-11 | AR78632  | 1E8  | 11  | 30-37 | AR90340  | 1D11 | 13  | 30-15 |
| AR67855  | 1F3  | 14  | 40-10 | AR79462  | 1D6  | 4   | 30-10 | AR90601  | 1D10 | 2   | 30-14 |
| AR67858  | 1C25 | 5   | 30-4  | AR79462  | 1D9  | 34  | 30-13 | AR90601  | 1D10 | 5   | 30-14 |
| AR67860  | 1C25 | 9   | 30-4  | AR79462  | 1D10 | ..  | 30-14 | AR90601  | 1D10 | 6   | 30-14 |
| AR67942  | 1B14 | 14  | 20-21 | AR79462  | 1D11 | ..  | 30-15 | AR90601  | 1D11 | 2   | 30-15 |
| AR67942  | 1B15 | 14  | 20-22 | AR79462  | 1D12 | ..  | 30-16 | AR90601  | 1D11 | 3   | 30-15 |
| AR68299  | 1G11 | 18  | 40-45 | AR79462  | 1D13 | ..  | 30-17 | AR90601  | 1D19 | 1   | 30-23 |
| AR68302  | 1G11 | 9   | 40-45 | AR79462  | 1D14 | ..  | 30-18 | AR91660  | 1B14 | 10  | 20-21 |
| AR68304  | 1G8  | 22  | 40-42 | AR79462  | 1D15 | ..  | 30-19 | AR91660  | 1B15 | 10  | 20-22 |
| AR68304  | 1G12 | 26  | 40-46 | AR79462  | 1D16 | ..  | 30-20 | AR91793  | 1G20 | 42  | 40-55 |
| AR68304  | 1G12 | ..  | 40-46 | AR79462  | 1D17 | ..  | 30-21 | AR92109  | 2E7  | 8   | 90-26 |
| AR68304  | 1G13 | 1   | 40-47 | AR79462  | 1D18 | ..  | 30-22 | AR92893  | 1B2  | 10  | 20-9  |
| AR68304  | 1G13 | ..  | 40-47 | AR79927  | 1C1  | ..  | 20-33 | AR92893  | 1B3  | 10  | 20-10 |
| AR68361  | 1F22 | 12  | 40-31 | AR79927  | 1C1  | ..  | 20-33 | AR92893  | 1B14 | 1   | 20-21 |
| AR68361  | 1F23 | 22  | 40-32 | AR80113  | 1C6  | 17  | 20-38 | AR92893  | 1B15 | 1   | 20-22 |
| AR68962  | 1D6  | 7   | 30-10 | AR80532  | 1B5  | 6   | 20-12 | AR93638  | 1E4  | 18  | 30-33 |
| AR68962  | 1D9  | 22  | 30-13 | AR80532  | 1B5  | 10  | 20-12 | AR94522  | 2B21 | 2   | 70-29 |
| AR68963  | 1D6  | 15  | 30-10 | AR80532  | 1B6  | 7   | 20-13 | AR94522  | 2B21 | 20  | 70-29 |
| AR68963  | 1D9  | 21  | 30-13 | AR82294  | 1B12 | 3   | 20-19 | AR97027  | 1A22 | 3   | 20-4  |
| AR68964  | 1D6  | 16  | 30-10 | AR82295  | 1B12 | 6   | 20-19 | AR97040  | 1A23 | ..  | 20-5  |
| AR68964  | 1D9  | 20  | 30-13 | AR84006  | 1E20 | 19  | 40-2  | AR97194  | 1C1  | ..  | 20-33 |
| AR68965  | 1D6  | 29  | 30-10 | AR84006  | 1E21 | 15  | 40-3  | AR97194  | 1C1  | ..  | 20-33 |
| AR68965  | 1D9  | 18  | 30-13 | AR84006  | 1E21 | 16  | 40-3  | AT11520  | 1D17 | 20  | 30-21 |
| AR68966  | 1D6  | 18  | 30-10 | AR84006  | 1E21 | 17  | 40-3  | AT11524  | 1D10 | 14  | 30-14 |
| AR68966  | 1D9  | 15  | 30-13 | AR84006  | 1E21 | 18  | 40-3  | AT12111  | 2A21 | 2   | 70-2  |
| AR68967  | 1D6  | 25  | 30-10 | AR84006  | 1E21 | 20  | 40-3  | AT12111  | 2A21 | 3   | 70-2  |
| AR68967  | 1D9  | 14  | 30-13 | AR84006  | 1F2  | 11  | 40-9  | AT12111  | 2B18 | 24  | 70-25 |
| AR69852  | 1E10 | 18  | 30-39 | AR84006  | 1F11 | 2   | 40-19 | AT12111  | 2B18 | 25  | 70-25 |
| AR70082  | 1G8  | 13  | 40-42 | AR84006  | 1F11 | 7   | 40-19 | AT13740  | 1A22 | 4A  | 20-4  |
| AR71106  | 2D20 | 4   | 90-14 | AR84006  | 1F11 | 8   | 40-19 | AT13740  | 1A24 | 4   | 20-6  |
| AR71107  | 2D20 | 2   | 90-14 | AR84006  | 1F11 | 10  | 40-19 | AT13740  | 1C7  | 12  | 20-39 |
| AR71108  | 2D20 | 3   | 90-14 | AR84006  | 1F11 | 12  | 40-19 | AT13740  | 1C14 | 13  | 20-46 |
| AR71109  | 2D20 | 1   | 90-14 | AR84006  | 1F11 | 15  | 40-19 | AT13740  | 1C15 | 13  | 20-47 |
| AR71285  | 2E8  | 8   | 90-27 | AR84006  | 1F11 | 17  | 40-19 | AT15146  | 1G12 | 25  | 40-46 |
| AR71286  | 2E8  | 12  | 90-27 | AR84006  | 1F11 | 20  | 40-19 | AT15146  | 1G13 | 7   | 40-47 |
| AR71287  | 2E8  | 5   | 90-27 | AR84006  | 1F15 | 7   | 40-24 | AT15147  | 1G8  | 20  | 40-42 |
| AR71288  | 2E8  | 6   | 90-27 | AR84006  | 1F20 | 1   | 40-29 | AT16290  | 1G10 | 12  | 40-44 |
| AR71289  | 2E8  | 1   | 90-27 | AR84006  | 1G16 | 40  | 40-51 | AT16291  | 1G8  | 2   | 40-42 |
| AR71289  | 2E8  | 2   | 90-27 | AR84732  | 1D1  | 7   | 30-5  | AT18009  | 1B14 | 10  | 20-21 |
| AR71289  | 2E8  | 3   | 90-27 | AR85328  | 1E16 | 2   | 30-45 | AT18188  | 1B10 | 7   | 20-17 |
| AR71289  | 2E8  | 4   | 90-27 | AR85618  | 1D9  | 4   | 30-13 | AT18188  | 1B11 | 7   | 20-18 |
| AR71289  | 2E8  | 7   | 90-27 | AR85618  | 1D21 | 3B  | 30-25 | AT18988  | 1E22 | 10  | 40-4  |
| AR71289  | 2E8  | 10  | 90-27 | AR85618  | 1D22 | 3   | 30-27 | AT21108  | 1B12 | 2   | 20-19 |
| AR71289  | 2E8  | 11  | 90-27 | AR86745  | 1C25 | 11  | 30-4  | AT21108  | 1B13 | 2   | 20-20 |
| AR71290  | 2E8  | 12  | 90-27 | AR86745  | 1D1  | 8   | 30-5  | AT21110  | 1B12 | 2   | 20-19 |
| AR71290  | 2E8  | 17  | 90-27 | AR87068  | 1D10 | ..  | 30-14 | AT21110  | 1B13 | 2   | 20-20 |
| AR71618  | 1B20 | 9   | 20-27 | AR87378  | 1E4  | 11  | 30-33 | AT21110  | 1B16 | 6   | 20-23 |
| AR71618  | 1C1  | ..  | 20-33 | AR87693  | 1B7  | 12  | 20-14 | AT21112  | 1B12 | 2   | 20-19 |
| AR71981  | 1F22 | ..  | 40-31 | AR87693  | 1B9  | 1   | 20-16 | AT21112  | 1B13 | 2   | 20-20 |

## NUMERICAL INDEX - CONTINUED

| PART NO. | GRID | KEY | PAGE   | PART NO. | GRID | KEY | PAGE   | PART NO. | GRID | KEY | PAGE   |
|----------|------|-----|--------|----------|------|-----|--------|----------|------|-----|--------|
| AT21114  | 1B12 | 2   | 20-19  | AT27128  | 1G2  | 9   | 40-35  | BP12233  | 2H18 | 24  | 120-39 |
| AT21114  | 1B13 | 2   | 20-20  | AT27622  | 1D6  | 13  | 30-10  | BP13682  | 1H24 | 7   | 50-22  |
| AT21122  | 1B20 | 11  | 20-27  | AT27622  | 1D21 | 3A  | 30-25  | BP13682  | 1H25 | 8   | 50-23  |
| AT21122  | 1B21 | 11  | 20-28  | AT27622  | 1D22 | 3   | 30-27  | B10608   | 2H6  | 4   | 120-27 |
| AT21124  | 1B20 | 11  | 20-27  | AT29461  | 1E6  | 8   | 30-35  | B31498   | 1C17 | 13  | 20-49  |
| AT21124  | 1B21 | 11  | 20-28  | AT29461  | 1E6  | 9   | 30-35  | B31498   | 1C18 | 15  | 20-50  |
| AT21126  | 1B20 | 11  | 20-27  | AT29461  | 1E6  | 10  | 30-35  | B32205   | 1F5  | 4   | 40-12  |
| AT21126  | 1B21 | 11  | 20-28  | AT29461  | 1E6  | 11  | 30-35  | B32206   | 1F5  | 3   | 40-12  |
| AT21128  | 1B20 | 11  | 20-27  | AT29862  | 1F21 | 10  | 40-30  | B32207   | 1F5  | 5   | 40-12  |
| AT21128  | 1B21 | 11  | 20-28  | AT30694  | 1B10 | 7   | 20-17  | B3285R   | 1F18 | 4   | 40-27  |
| AT21130  | 1B12 | 1   | 20-19  | AT31093  | 1B22 | 13  | 20-29  | B3611R   | 1H18 | 7   | 50-16  |
| AT21130  | 1B13 | 1   | 20-20  | AT31250  | 1B18 | 17  | 20-25  | B3611R   | 1H19 | 7   | 50-17  |
| AT21132  | 1B12 | 1   | 20-19  | AT31250  | 1B19 | 17  | 20-26  | B3690R   | 1I16 | 8   | 60-10  |
| AT21132  | 1B13 | 1   | 20-20  | AT32064  | 1D6  | 14  | 30-10  | CD13870  | 1D24 | 37  | 30-29  |
| AT21132  | 1B16 | 7   | 20-23  | AT32064  | 1D6  | 19  | 30-10  | C10232   | 2F8  | 7   | 110-15 |
| AT21134  | 1B12 | 1   | 20-19  | AT32332  | 2C12 | 2   | 70-46  | C10232   | 2I14 | 17  | 120-62 |
| AT21134  | 1B13 | 1   | 20-20  | AT35120  | 2B14 | 12  | 70-20  | C10232   | 2I22 | 16  | 120-71 |
| AT21136  | 1B12 | 1   | 20-19  | AT35120  | 2K9  | 15  | 160-5  | C10233   | 2F8  | 1   | 110-15 |
| AT21136  | 1B13 | 1   | 20-20  | AT36921  | 2C7  | 9   | 70-41  | C10233   | 2F8  | 10  | 110-15 |
| AT21138  | 1B20 | 11  | 20-27  | AT38033  | 2B11 | 13  | 70-17  | C10233   | 2I14 | 17  | 120-62 |
| AT21138  | 1B21 | 11  | 20-28  | AT38033  | 2B22 | 8   | 70-31  | C10233   | 2I22 | 16  | 120-71 |
| AT21139  | 1B12 | 1   | 20-19  | AT38033  | 2C5  | 17  | 70-39  | C10263   | 2I14 | 17  | 120-62 |
| AT21139  | 1B13 | 1   | 20-20  | AT38296  | 1F11 | 9   | 40-19  | C10263   | 2I22 | 16  | 120-71 |
| AT21140  | 1B12 | 2   | 20-19  | AT38297  | 1F21 | ..  | 40-30  | C10519   | 2J15 | 3   | 130-13 |
| AT21140  | 1B13 | 2   | 20-20  | AT39043  | 1F14 | 4   | 40-23  | C11271   | 2J10 | 18  | 130-8  |
| AT21191  | 1A25 | 2   | 20-7   | AT39623  | 1D5  | 12  | 30-9   | C12865   | 2J12 | 25  | 130-10 |
| AT21191  | 1A25 | 5   | 20-7   | AT39623  | 1D5  | 13  | 30-9   | C16054   | 1E14 | 7   | 30-43  |
| AT21191  | 1B1  | 2   | 20-8   | AT44165  | 1F17 | 26  | 40-26  | C16054   | 1E16 | 6   | 30-45  |
| AT21191  | 1B1  | 5   | 20-8   | AT48673  | 1F17 | 5   | 40-26  | C1628E   | 2J1  | 24  | 120-75 |
| AT21226  | 1B12 | 3   | 20-19  | AT514T   | 1G10 | 9   | 40-44  | C1778R   | 1C24 | 21  | 30-3   |
| AT21227  | 1B12 | 6   | 20-19  | AT516T   | 1G10 | 11  | 40-44  | C2175R   | 1G7  | 4   | 40-41  |
| AT21738  | 1E4  | 4   | 30-33  | AT56592  | 1G2  | 5   | 40-35  | C3203E   | 2D8  | 3   | 90-1   |
| AT21742  | 1E6  | 21  | 30-35  | AT57288  | 1D5  | 10  | 30-9   | C565R    | 1H18 | 9   | 50-16  |
| AT22562  | 1B14 | 5   | 20-21  | AT58208  | 1F21 | ..  | 40-30  | C565R    | 1H19 | 9   | 50-17  |
| AT22562  | 1B15 | 5   | 20-22  | AT63265  | 2E9  | 17  | 90-28  | DD11831  | 1B21 | 6   | 20-28  |
| AT22919  | 1A25 | 2   | 20-7   | AT63266  | 2E15 | 17  | 90-35  | DD13896  | 1B16 | 2   | 20-23  |
| AT22919  | 1A25 | 5   | 20-7   | AT66632  | 2E16 | 1   | 90-36  | DD13896  | 1B16 | 8   | 20-23  |
| AT22919  | 1B1  | 2   | 20-8   | AT67339  | 1F21 | ..  | 40-30  | DD13912  | 1D24 | 36  | 30-29  |
| AT22919  | 1B1  | 5   | 20-8   | AT74219  | 2D20 | 4   | 90-14  | DD14194  | 1E13 | 8   | 30-42  |
| AT22965  | 1B2  | 10  | 20-9   | AU11672  | 1B5  | 6   | 20-12  | DD14195  | 1E13 | 4   | 30-42  |
| AT22965  | 1B14 | 1   | 20-21  | AU41461  | 1F17 | 10  | 40-26  | DD14292  | 1E12 | 4   | 30-41  |
| AT23141  | 1A25 | 1   | 20-7   | AU42023  | 1F21 | 19  | 40-30  | DD14292  | 1E12 | 5   | 30-41  |
| AT23141  | 1B1  | 1   | 20-8   | AU42025  | 1F21 | 30  | 40-30  | E10018   | 1C12 | 1   | 20-44  |
| AT23188  | 1G2  | 30  | 40-35  | AU43852  | 1F21 | 8   | 40-30  | E10018   | 2G24 | 22  | 120-21 |
| AT23188  | 1G4  | 15  | 40-37  | AU43853  | 1F21 | 14  | 40-30  | E10018   | 2H2  | 20  | 120-23 |
| AT23189  | 2G15 | 10  | 120-11 | AU43854  | 1F21 | 5   | 40-30  | E10086   | 2H3  | 6   | 120-24 |
| AT23189  | 2J25 | 2   | 140-3  | AU43855  | 1F21 | 3   | 40-30  | E10911   | 1I4  | 16  | 50-27  |
| AT23467  | 1E23 | 12  | 40-5   | AU43857  | 1F21 | 12  | 40-30  | E1343FN  | 2F21 | 11  | 110-28 |
| AT24252  | 1B14 | 21  | 20-21  | A120R    | 1A22 | 10  | 20-4   | E1343FN  | 2F23 | 10  | 110-30 |
| AT24252  | 1B15 | 21  | 20-22  | A16065   | 2C11 | 15  | 70-45  | E19700   | 2A23 | 27  | 70-4   |
| AT25185  | 1B17 | 1   | 20-24  | A2913R   | 3B14 | 3   | 170-25 | E19700   | 2B1  | 25  | 70-6   |
| AT25185  | 1B17 | 2A  | 20-24  | A3581R   | 2I11 | 1   | 120-59 | E31845   | 2F22 | 10  | 110-29 |
| AT25192  | 1B10 | 2   | 20-17  | A369R    | 2H18 | 7   | 120-39 | E40772   | 2A24 | 39  | 70-5   |
| AT25192  | 1B11 | 2   | 20-18  | A3910R   | 1B7  | 10  | 20-14  | E40772   | 2B2  | 38  | 70-7   |
| AT25226  | 1H4  | 4   | 50-2   | A3910R   | 1B8  | 10  | 20-15  | E40775   | 2B2  | 52  | 70-7   |
| AT25264  | 1C19 | 3   | 20-51  | A4365R   | 1D20 | 3   | 30-24  | E41820   | 2K9  | 11  | 160-5  |
| AT25265  | 1C19 | 1   | 20-51  | A4365R   | 2K7  | 5   | 160-3  | E42435   | 2B9  | 10  | 70-15  |
| AT25266  | 1D5  | 6   | 30-9   | A4655R   | 1F17 | 13  | 40-26  | E42435   | 2B10 | 2   | 70-16  |
| AT25437  | 1E21 | 10  | 40-3   | A4730R   | 1B24 | 10  | 20-31  | E46219   | 1C11 | 3   | 20-43  |
| AT25619  | 1G7  | 1   | 40-41  | A4730R   | 1I4  | 20  | 50-27  | E54809   | 1C11 | 10  | 20-43  |
| AT25619  | 1G8  | ..  | 40-42  | A4730R   | 2I9  | 7   | 120-57 | E54809   | 2C8  | 13  | 70-42  |
| AT25619  | 1G10 | ..  | 40-44  | A4730R   | 2K1  | 10  | 140-4  | E54809   | 2D2  | 1   | 80-14  |
| AT25983  | 1B25 | 8   | 20-32  | A4741R   | 2D21 | 17  | 90-15  | E55780   | 2E4  | 12  | 90-23  |
| AT27126  | 1G2  | 21  | 40-35  | A4827R   | 1B4  | 16  | 20-11  | E56086   | 2A24 | 43  | 70-5   |
| AT27126  | 1G4  | 11  | 40-37  | BH77683  | 2H9  | 14  | 120-30 | E56086   | 2B2  | 42  | 70-7   |
| AT27127  | 1G2  | 29  | 40-35  | BH77683  | 2H9  | 17  | 120-30 | E60315   | 2H3  | 12  | 120-24 |
| AT27127  | 1G4  | 14  | 40-37  | BP12232  | 2C24 | 4   | 80-11  | E62484   | 2G9  | 12  | 120-5  |

**NUMERICAL INDEX - CONTINUED**

| PART NO. | GRID | KEY | PAGE   | PART NO. | GRID | KEY | PAGE   | PART NO. | GRID | KEY | PAGE   |
|----------|------|-----|--------|----------|------|-----|--------|----------|------|-----|--------|
| E62484   | 2G9  | 14  | 120-5  | H101352  | 2H2  | 29  | 120-23 | H103349  | 2H23 | 5   | 120-44 |
| E62484   | 2G13 | 12A | 120-9  | H101352  | 3B3  | 2   | 170-12 | H103350  | 2H23 | 8   | 120-44 |
| E62951   | 2E21 | 11  | 110-1  | H101370  | 2B25 | 1   | 70-34  | H103351  | 2H23 | 4   | 120-44 |
| E71183   | 1F4  | 14  | 40-11  | H101370  | 2C2  | 1   | 70-36  | H103444  | 2J4  | 8   | 130-2  |
| F1463R   | 2D5  | 6   | 80-17  | H101544  | 2C11 | 18  | 70-45  | H103454  | 2J19 | 25  | 130-17 |
| G6661E   | 2G9  | 12  | 120-5  | H101620  | 2B9  | 25  | 70-15  | H103537  | 1H18 | 1   | 50-16  |
| G6661E   | 2G9  | 14  | 120-5  | H101620  | 2J18 | 3   | 130-16 | H103537  | 1H19 | 1   | 50-17  |
| G6661E   | 2G13 | 12A | 120-9  | H101717  | 2F5  | 21  | 110-12 | H103538  | 1H18 | 1   | 50-16  |
| HZ5621H  | 2C20 | 7   | 80-7   | H101718  | 2F5  | 1   | 110-12 | H103538  | 1H19 | 12  | 50-17  |
| HZ5621H  | 2G7  | 2   | 120-3  | H101754  | 2F4  | 12  | 110-11 | H103618  | 2D13 | 21  | 90-7   |
| HZ5621H  | 2I6  | 7   | 120-54 | H101755  | 2F4  | 9   | 110-11 | H103645  | 2J19 | 28  | 130-17 |
| H100016  | 2G17 | 9   | 120-13 | H101782  | 2J13 | 3   | 130-11 | H104006  | 1H21 | 1   | 50-19  |
| H100018  | 2J10 | 5   | 130-8  | H101795  | 2F4  | 15  | 110-11 | H104075  | 1H21 | 9   | 50-19  |
| H100065  | 3B14 | 6   | 170-25 | H101795  | 2F4  | 19  | 110-11 | H104148  | 1H21 | 8   | 50-19  |
| H100122  | 2K12 | 8   | 160-8  | H101813  | 1G5  | 2   | 40-38  | H104223  | 2D16 | 21  | 90-10  |
| H100197  | 1C13 | 10  | 20-45  | H101813  | 3A21 | 2   | 170-3  | H104855  | 1G18 | 9   | 40-53  |
| H100206  | 2F4  | 22  | 110-11 | H101814  | 2F4  | 30  | 110-11 | H104954  | 2F2  | 2   | 110-9  |
| H100207  | 2F4  | 1   | 110-11 | H101814  | 2G2  | 4   | 110-34 | H105055  | 1H22 | 20  | 50-20  |
| H100209  | 3B16 | 6   | 170-27 | H101822  | 2B4  | 18  | 70-9   | H105418  | 2H24 | 13  | 120-45 |
| H100286  | 2D25 | 15  | 90-19  | H101998  | 2B7  | 19  | 70-12  | H105579  | 1H6  | 9   | 50-4   |
| H100325  | 2J20 | 13  | 130-18 | H102126  | 2G24 | 28  | 120-21 | H105716  | 2B9  | 16  | 70-15  |
| H100394  | 1I11 | 22  | 60-4   | H102126  | 2H2  | 26  | 120-23 | H105717  | 2B9  | 21  | 70-15  |
| H100400  | 2G17 | 25  | 120-13 | H102146  | 1E14 | 4   | 30-43  | H105718  | 2B9  | 17  | 70-15  |
| H100455  | 1I11 | 25  | 60-4   | H102231  | 3B14 | 12  | 170-25 | H105719  | 2B9  | 23  | 70-15  |
| H100457  | 1I11 | 16  | 60-4   | H102232  | 3B14 | 1   | 170-25 | H1058R   | 1B2  | 12  | 20-9   |
| H100457  | 1I13 | 1   | 60-6   | H102246  | 2J3  | 7   | 130-1  | H1058R   | 1B3  | 12  | 20-10  |
| H100457  | 1I14 | 1   | 60-7   | H102281  | 2B9  | 3   | 70-15  | H1058R   | 1B18 | 20  | 20-25  |
| H100539  | 1F6  | 16  | 40-13  | H102284  | 2B9  | 24  | 70-15  | H1058R   | 1B19 | 20  | 20-26  |
| H100540  | 1F6  | 16  | 40-13  | H102284  | 2J18 | 4   | 130-16 | H105899  | 3B14 | 14  | 170-25 |
| H100541  | 1F6  | 16  | 40-13  | H102468  | 2G7  | 14  | 120-3  | H105900  | 3B14 | 14  | 170-25 |
| H100541  | 1F6  | 18  | 40-13  | H102493  | 2A23 | 4   | 70-4   | H105936  | 2F18 | 30  | 110-25 |
| H100562  | 2F18 | 16  | 110-25 | H102493  | 2B1  | 4   | 70-6   | H105967  | 1C22 | 10  | 30-1   |
| H100584  | 2G15 | 9   | 120-11 | H102505  | 2F18 | 4   | 110-25 | H106000  | 2D22 | 16  | 90-16  |
| H100585  | 2G15 | 11  | 120-11 | H102598  | 2G24 | 10A | 120-21 | H106018  | 2E17 | 20  | 90-37  |
| H100585  | 3A24 | 1   | 170-7  | H102678  | 2F5  | 16  | 110-12 | H106246  | 1F16 | 2   | 40-25  |
| H100586  | 2G15 | 7   | 120-11 | H102680  | 2F4  | 16  | 110-11 | H106299  | 2E7  | 5   | 90-26  |
| H100592  | 2F15 | 2   | 110-22 | H102681  | 2F4  | 2   | 110-11 | H106299  | 3B16 | 1   | 170-27 |
| H100593  | 2F15 | 6   | 110-22 | H102690  | 2F4  | 18  | 110-11 | H106806  | 2B17 | 17  | 70-23  |
| H100596  | 1C11 | 4   | 20-43  | H102690  | 2F5  | 19  | 110-12 | H106807  | 2B17 | 15  | 70-23  |
| H100667  | 3B17 | ..  | 170-28 | H102691  | 2F5  | 20  | 110-12 | H107970  | 2K6  | 2   | 160-2  |
| H100673  | 2E5  | 3   | 90-24  | H102713  | 2F5  | 3   | 110-12 | H107970  | 2K6  | 3   | 160-2  |
| H100709  | 2I3  | 15  | 120-50 | H102749  | 2G24 | 24  | 120-21 | H10835   | 2C15 | 8   | 80-2   |
| H100793  | 2I9  | 6   | 120-57 | H102749  | 2H2  | 22  | 120-23 | H10835   | 2C16 | 3   | 80-3   |
| H100793  | 3B5  | 6   | 170-15 | H102882  | 2F6  | 31  | 110-13 | H108544  | 2G24 | 28  | 120-21 |
| H100794  | 2K1  | 9   | 140-4  | H103061  | 2J19 | 22  | 130-17 | H108544  | 2H2  | 26  | 120-23 |
| H100794  | 3B5  | 3   | 170-15 | H103164  | 3B17 | ..  | 170-28 | H108623  | 2J4  | 8   | 130-2  |
| H100796  | 2K1  | 8   | 140-4  | H103167  | 1H12 | 10  | 50-10  | H108623  | 2J4  | 11  | 130-2  |
| H100864  | 2J10 | 21  | 130-8  | H103201  | 2B7  | 9   | 70-12  | H108623  | 2J19 | 25  | 130-17 |
| H100869  | 2H5  | 16  | 120-26 | H103201  | 2B8  | 9   | 70-13  | H108624  | 2J4  | 8   | 130-2  |
| H100960  | 2H20 | 12  | 120-41 | H103264  | 2H6  | 14  | 120-27 | H108624  | 2J19 | 25  | 130-17 |
| H100961  | 2H20 | 13  | 120-41 | H103264  | 2H7  | 8   | 120-28 | H108624  | 2J19 | 27  | 130-17 |
| H100962  | 2H20 | 11  | 120-41 | H103264  | 2H25 | 3   | 120-47 | H109215  | 1C17 | 4   | 20-49  |
| H100967  | 2H20 | 14  | 120-41 | H103264  | 2I1  | 6   | 120-48 | H109245  | 2G24 | 4   | 120-21 |
| H100973  | 2G15 | 6   | 120-11 | H103264  | 2I2  | 11  | 120-60 | H109332  | 1F3  | 6   | 40-10  |
| H101145  | 2J13 | 4   | 130-11 | H103264  | 2I4  | 3   | 120-62 | H109334  | 1F3  | 8   | 40-10  |
| H101146  | 2J20 | 2   | 130-18 | H103264  | 2I20 | 3   | 120-69 | H109555  | 2C11 | 18  | 70-45  |
| H101149  | 2G24 | 5   | 120-21 | H103264  | 2I22 | 5   | 120-71 | H109579  | 2G20 | 18  | 120-16 |
| H101150  | 2G24 | 6   | 120-21 | H103264  | 2J17 | 3   | 130-15 | H109801  | 3B17 | ..  | 170-28 |
| H101158  | 1C23 | 15  | 30-2   | H103264  | 2J17 | 4   | 130-15 | H109824  | 1I9  | 12  | 60-2   |
| H101177  | 2C11 | 10  | 70-45  | H103264  | 2J17 | 8   | 130-15 | H109826  | 2C11 | 17  | 70-45  |
| H101178  | 2C11 | 8   | 70-45  | H103264  | 2K1  | 18  | 140-4  | H109897  | 3B17 | ..  | 170-28 |
| H101179  | 2C11 | 9   | 70-45  | H103265  | 2H19 | 3   | 120-40 | H109904  | 2D13 | 9   | 90-7   |
| H101189  | 2G11 | 5   | 120-7  | H103269  | 1C8  | 10  | 20-40  | H109998  | 2B9  | 23  | 70-15  |
| H101244  | 2F18 | 26  | 110-25 | H103269  | 2D11 | 22  | 90-5   | H110005  | 2G24 | 10A | 120-21 |
| H101297  | 2I13 | 11  | 120-61 | H103271  | 2D11 | 10  | 90-5   | H110005  | 2G24 | 10B | 120-21 |
| H101297  | 2I21 | 11  | 120-70 | H103273  | 1D5  | 3   | 30-9   | H110005  | 2H2  | 10  | 120-23 |
| H101352  | 2G24 | 30  | 120-21 | H103319  | 1C12 | 13  | 20-44  | H11013   | 1H14 | 8   | 50-12  |

## NUMERICAL INDEX - CONTINUED

| PART NO. | GRID | KEY | PAGE   | PART NO. | GRID | KEY | PAGE   | PART NO. | GRID | KEY | PAGE   |
|----------|------|-----|--------|----------|------|-----|--------|----------|------|-----|--------|
| H110199  | 1D4  | 13  | 30-8   | H115732  | 2C5  | 16  | 70-39  | H25360   | 2E21 | 2   | 110-1  |
| H110273  | 1H25 | 14  | 50-23  | H115764  | 2D22 | 2   | 90-16  | H25393   | 2J16 | 2   | 130-14 |
| H110734  | 2H2  | 6   | 120-23 | H115765  | 2D22 | 2   | 90-16  | H25393   | 3B12 | 4   | 170-23 |
| H110736  | 2H2  | 6   | 120-23 | H115880  | 2C5  | 10  | 70-39  | H25638   | 2B13 | 2   | 70-19  |
| H111181  | 1I11 | 20  | 60-4   | H116273  | 2G11 | 5   | 120-7  | H25772   | 2J3  | 20  | 130-1  |
| H111374  | 2K15 | 5   | 160-11 | H116273  | 2G11 | 8   | 120-7  | H26065   | 1F5  | 8   | 40-12  |
| H111378  | 1F3  | 2   | 40-10  | H117041  | 1I13 | 2   | 60-6   | H26433   | 1I24 | 7   | 60-18  |
| H111566  | 1I13 | 8   | 60-6   | H117041  | 1I14 | 6   | 60-7   | H26552   | 2G1  | 4   | 110-33 |
| H112108  | 2B9  | 21  | 70-15  | H117042  | 1I13 | 2   | 60-6   | H26552   | 2G19 | 18  | 120-15 |
| H112109  | 2C8  | 21  | 70-42  | H117042  | 1I14 | 7   | 60-7   | H26552   | 2G20 | 21  | 120-16 |
| H112396  | 2H20 | 3   | 120-41 | H117225  | 1I9  | 11  | 60-2   | H27332   | 2H22 | 18  | 120-43 |
| H112547  | 1I4  | 7A  | 50-27  | H117549  | 2H2  | 5   | 120-23 | H27952   | 2G2  | 2   | 110-34 |
| H112547  | 1I4  | 7B  | 50-27  | H117614  | 2G9  | 21  | 120-5  | H28031   | 2K5  | 4   | 160-1  |
| H112547  | 3A24 | 16  | 170-7  | H117776  | 3B14 | 4   | 170-25 | H28108   | 1D4  | 15  | 30-8   |
| H112548  | 1I4  | 15  | 50-27  | H118030  | 3B17 | ..  | 170-28 | H28156   | 2B18 | 18  | 70-25  |
| H113054  | 2A22 | 6   | 70-3   | H118398  | 2E3  | 3   | 90-22  | H28271   | 1J2  | 4   | 60-21  |
| H113058  | 1F6  | 20  | 40-13  | H118582  | 2F7  | 17  | 110-14 | H28358   | 2J9  | 15  | 130-7  |
| H113075  | 2H9  | 15  | 120-30 | H118698  | 1C11 | 12  | 20-43  | H28563   | 2I12 | 6   | 120-60 |
| H113075  | 2H10 | 15  | 120-31 | H118776  | 2F18 | 11  | 110-25 | H28865   | 2E21 | 9   | 110-1  |
| H113092  | 2D22 | 2   | 90-16  | H119094  | 2G11 | 18A | 120-7  | H28865   | 2E22 | 3   | 110-3  |
| H113093  | 2D22 | 2   | 90-16  | H119094  | 2G11 | 18B | 120-7  | H28930   | 2B13 | 9   | 70-19  |
| H113094  | 2D22 | 2   | 90-16  | H119094  | 2G11 | 19  | 120-7  | H28931   | 2B13 | 8   | 70-19  |
| H113094  | 2D22 | 12  | 90-16  | H119094  | 2G11 | 20  | 120-7  | H29296   | 2D5  | 13  | 80-17  |
| H113113  | 2D14 | 2   | 90-8   | H119612  | 2H5  | 10  | 120-26 | H30266   | 1H11 | 19  | 50-9   |
| H11318   | 1I11 | 6   | 60-4   | H119612  | 2H6  | 22  | 120-27 | H30816   | 1I18 | 2   | 60-12  |
| H11321   | 1H15 | 5   | 50-13  | H120407  | 2E12 | 2   | 90-31  | H30939   | 1H15 | 12  | 50-13  |
| H113330  | 2H14 | 1   | 120-35 | H120416  | 2J13 | 7   | 130-11 | H31253   | 1I23 | 8   | 60-17  |
| H113409  | 2F18 | 12  | 110-25 | H120438  | 1C14 | 19  | 20-46  | H31254   | 1I23 | 7   | 60-17  |
| H113625  | 2G9  | 14  | 120-5  | H121435  | 2F18 | 9   | 110-25 | H31256   | 2A21 | 24  | 70-2   |
| H113626  | 2G9  | 12  | 120-5  | H121705  | 1G4  | 1   | 40-37  | H31257   | 2A21 | 23  | 70-2   |
| H113626  | 2G13 | 12B | 120-9  | H121847  | 1D4  | 13  | 30-8   | H31257   | 2A24 | 51  | 70-5   |
| H113727  | 2B4  | 5   | 70-9   | H122138  | 2B17 | 18  | 70-23  | H31257   | 2B2  | 50  | 70-7   |
| H113743  | 2H22 | 17  | 120-43 | H122139  | 2B17 | 12  | 70-23  | H31381   | 2F7  | 25  | 110-14 |
| H113760  | 2H20 | 14  | 120-41 | H122140  | 2B17 | 13  | 70-23  | H32057   | 1H14 | 6   | 50-12  |
| H113823  | 2H15 | 6   | 120-36 | H122141  | 2B17 | 3   | 70-23  | H32147   | 2H17 | 5   | 120-38 |
| H113825  | 2H15 | 11  | 120-36 | H122142  | 2B17 | 10  | 70-23  | H32300   | 1H14 | 5   | 50-12  |
| H113983  | 2H9  | 14  | 120-30 | H122143  | 2B17 | 7   | 70-23  | H33491   | 1H12 | 12  | 50-10  |
| H113983  | 2H10 | 10  | 120-31 | H122290  | 1H3  | 13  | 50-1   | H33495   | 1H13 | 3   | 50-11  |
| H113984  | 2H9  | 17  | 120-30 | H122290  | 1H3  | 17A | 50-1   | H33500   | 1H11 | 18  | 50-9   |
| H113984  | 2H10 | 3   | 120-31 | H122290  | 1H3  | 17B | 50-1   | H33511   | 1I11 | 3   | 60-4   |
| H114465  | 2H14 | 3   | 120-35 | H123351  | 3B14 | 5   | 170-25 | H33513   | 1I11 | 13  | 60-4   |
| H114466  | 2H14 | 4   | 120-35 | H126073  | 2B1  | 26  | 70-6   | H33776   | 2B14 | 4   | 70-20  |
| H114535  | 2H14 | 12  | 120-35 | H171289  | 2C12 | 12  | 70-46  | H33795   | 1I10 | 7   | 60-3   |
| H114536  | 2H14 | 13  | 120-35 | H171290  | 2C12 | 14  | 70-46  | H34753   | 2D9  | 6   | 90-3   |
| H114557  | 2C18 | 7   | 80-5   | H20042   | 2H19 | 5   | 120-40 | H35207   | 1I18 | 8   | 60-12  |
| H114557  | 2C18 | 13  | 80-5   | H20407   | 3B7  | 6   | 170-17 | H35208   | 1I18 | 9   | 60-12  |
| H114562  | 1I11 | 21  | 60-4   | H2172B   | 2G18 | 8   | 120-14 | H35209   | 1I18 | 10  | 60-12  |
| H114617  | 2J24 | 1   | 140-2  | H2172B   | 2G22 | 8   | 120-19 | H35210   | 1I18 | 3   | 60-12  |
| H114617  | 2J25 | 26  | 140-3  | H22039   | 2E21 | 11  | 110-1  | H35212   | 1I17 | 12  | 60-11  |
| H114618  | 2J24 | 1   | 140-2  | H22216   | 2F18 | 27  | 110-25 | H35213   | 1I17 | 10  | 60-11  |
| H114618  | 2J25 | 26  | 140-3  | H22660   | 1H24 | 12  | 50-22  | H35214   | 1I17 | 14  | 60-11  |
| H114618  | 2J25 | 32  | 140-3  | H22695   | 2A21 | 8   | 70-2   | H35215   | 1I17 | 17  | 60-11  |
| H114628  | 2J24 | 1   | 140-2  | H22979   | 1I19 | 5   | 60-13  | H35216   | 1I17 | 16  | 60-11  |
| H114628  | 2J24 | 2   | 140-2  | H22979   | 2B14 | 19  | 70-20  | H35218   | 1I17 | 21  | 60-11  |
| H114637  | 2D17 | 12  | 90-11  | H23005   | 1I4  | 9   | 50-27  | H35219   | 1I17 | 20  | 60-11  |
| H114637  | 2D18 | 8   | 90-12  | H23193   | 1G10 | 2   | 40-44  | H35220   | 1I17 | 22  | 60-11  |
| H11479   | 1H11 | 16  | 50-9   | H23196   | 2E17 | 18  | 90-37  | H35221   | 1I17 | 23  | 60-11  |
| H114990  | 1I11 | 20  | 60-4   | H23581   | 2H19 | 3   | 120-40 | H35226   | 1I17 | 3   | 60-11  |
| H114990  | 1I13 | 8   | 60-6   | H23817   | 3B10 | 5   | 170-21 | H35227   | 1I17 | 1   | 60-11  |
| H114990  | 1I14 | 4   | 60-7   | H23932   | 1I21 | 14  | 60-15  | H35228   | 1I16 | 7   | 60-10  |
| H114991  | 1I11 | 20  | 60-4   | H23932   | 1I22 | 7   | 60-16  | H35240   | 1I23 | 14  | 60-17  |
| H114991  | 1I13 | 8   | 60-6   | H23941   | 1I3  | 16  | 50-26  | H35241   | 1I23 | 16  | 60-17  |
| H114991  | 1I14 | 3   | 60-7   | H24710   | 1E22 | 3   | 40-4   | H35242   | 1I23 | 12  | 60-17  |
| H115067  | 2E9  | 18  | 90-28  | H24979   | 1H21 | 12  | 50-19  | H35243   | 1I23 | 17  | 60-17  |
| H115230  | 2F19 | 14  | 110-26 | H24979   | 2J1  | 10  | 120-75 | H35244   | 1I23 | 18  | 60-17  |
| H115230  | 2F20 | 1   | 110-27 | H25051   | 2F21 | 10  | 110-28 | H35246   | 2B9  | 14  | 70-15  |
| H115673  | 3B14 | 7   | 170-25 | H25051   | 2F23 | 9   | 110-30 | H35246   | 2B10 | 6   | 70-16  |



**NUMERICAL INDEX - CONTINUED**

| PART NO. | GRID | KEY | PAGE     | PART NO. | GRID | KEY | PAGE     | PART NO. | GRID | KEY | PAGE     |
|----------|------|-----|----------|----------|------|-----|----------|----------|------|-----|----------|
| H35465   | 2J20 | 12  | 130 - 18 | H64376   | 2F20 | 2   | 110 - 27 | H75395   | 2H24 | 19  | 120 - 45 |
| H35465   | 2J21 | 15  | 130 - 19 | H64376   | 2F20 | 3   | 110 - 27 | H75396   | 2H24 | 6   | 120 - 45 |
| H35481   | 1I1  | 4   | 50 - 24  | H64376   | 2G9  | 15  | 120 - 5  | H75406   | 2H25 | 9   | 120 - 47 |
| H35481   | 2B16 | 5   | 70 - 22  | H64376   | 2G9  | 16  | 120 - 5  | H75406   | 2I1  | 12  | 120 - 48 |
| H35481   | 2J11 | 9   | 130 - 9  | H64376   | 2G13 | 15  | 120 - 9  | H75406   | 2J20 | 16  | 130 - 18 |
| H35664   | 1I23 | 3   | 60 - 17  | H64376   | 2G13 | 16  | 120 - 9  | H75406   | 2J21 | 16  | 130 - 19 |
| H35688   | 2I13 | 17  | 120 - 61 | H64376   | 2G24 | 8A  | 120 - 21 | H75412   | 2C3  | 2   | 70 - 37  |
| H35688   | 2I21 | 12  | 120 - 70 | H64376   | 2G24 | 8B  | 120 - 21 | H75412   | 2C9  | 10  | 70 - 43  |
| H35906   | 1H12 | 5   | 50 - 10  | H64376   | 2H2  | 9   | 120 - 23 | H75413   | 1I22 | 1   | 60 - 16  |
| H36036   | 1E15 | 8   | 30 - 44  | H64584   | 2C23 | 20  | 80 - 10  | H75414   | 1I3  | 3   | 50 - 26  |
| H36155   | 2J12 | 8   | 130 - 10 | H64584   | 2E4  | 7   | 90 - 23  | H75415   | 2B3  | 15  | 70 - 8   |
| H36155   | 2J20 | 19  | 130 - 18 | H64612   | 1E20 | 4   | 40 - 2   | H75416   | 1I3  | 8   | 50 - 26  |
| H36257   | 1I18 | 4   | 60 - 12  | H64612   | 1E21 | 9   | 40 - 3   | H75423   | 1H5  | 1   | 50 - 3   |
| H574B    | 1C11 | 6   | 20 - 43  | H64612   | 1E24 | 9   | 40 - 7   | H75535   | 2I9  | 9   | 120 - 57 |
| H574B    | 1D4  | 6   | 30 - 8   | H64612   | 1F5  | 11  | 40 - 12  | H75536   | 2I9  | 8   | 120 - 57 |
| H60209   | 2F12 | 1   | 110 - 19 | H64747   | 1I17 | 18  | 60 - 11  | H75541   | 2B12 | 12  | 70 - 18  |
| H60330   | 1I23 | 10  | 60 - 17  | H65108   | 1F5  | 2   | 40 - 12  | H75549   | 2J25 | 1   | 140 - 3  |
| H60817   | 2A24 | 54  | 70 - 5   | H65108   | 1I3  | 11  | 50 - 26  | H75555   | 2G18 | 24  | 120 - 14 |
| H60817   | 2B2  | 53  | 70 - 7   | H65108   | 1I21 | 4   | 60 - 15  | H75555   | 2G22 | 27  | 120 - 19 |
| H60885   | 2B21 | 8   | 70 - 29  | H65108   | 1I24 | 4   | 60 - 18  | H75571   | 2G19 | 13  | 120 - 15 |
| H61803   | 2F13 | 2   | 110 - 20 | H65108   | 2C18 | 1   | 80 - 5   | H75571   | 2G20 | 26  | 120 - 16 |
| H61805   | 2E4  | 8   | 90 - 23  | H65108   | 2C22 | 12  | 80 - 9   | H75688   | 2G19 | 17  | 120 - 15 |
| H61941   | 1H6  | 10  | 50 - 4   | H65108   | 2C24 | 2   | 80 - 11  | H75689   | 2G19 | 16  | 120 - 15 |
| H62218   | 2D22 | 16  | 90 - 16  | H65108   | 2C25 | 4   | 80 - 12  | H75689   | 2G20 | 22  | 120 - 16 |
| H62443   | 1F4  | 7   | 40 - 11  | H65108   | 2D8  | 6   | 90 - 1   | H75690   | 2G19 | 21  | 120 - 15 |
| H62444   | 1F4  | 10  | 40 - 11  | H65108   | 2D11 | 16  | 90 - 5   | H75691   | 2F21 | 6   | 110 - 28 |
| H62445   | 1F4  | 12  | 40 - 11  | H65108   | 2D15 | 25  | 90 - 9   | H75691   | 2F23 | 5   | 110 - 30 |
| H62447   | 1F4  | 5   | 40 - 11  | H65108   | 2E13 | 5   | 90 - 33  | H75692   | 2J25 | 19  | 140 - 3  |
| H63062   | 2A21 | 28  | 70 - 2   | H65108   | 2F2  | 4   | 110 - 9  | H75693   | 2G18 | 37  | 120 - 14 |
| H63283   | 2K11 | 9   | 160 - 7  | H65108   | 2H6  | 16  | 120 - 27 | H75693   | 2J25 | 17  | 140 - 3  |
| H63289   | 2B25 | 11  | 70 - 34  | H65108   | 2H7  | 5   | 120 - 28 | H75695   | 2G18 | 2   | 120 - 14 |
| H63357   | 2A23 | 33  | 70 - 4   | H65108   | 2H20 | 4   | 120 - 41 | H75696   | 2G18 | 3   | 120 - 14 |
| H63357   | 2B1  | 29  | 70 - 6   | H65108   | 2H22 | 2   | 120 - 43 | H75697   | 2G18 | 12  | 120 - 14 |
| H63357   | 2B7  | 6   | 70 - 12  | H65108   | 2I24 | 14  | 120 - 73 | H75697   | 2G22 | 12  | 120 - 19 |
| H63357   | 2B8  | 6   | 70 - 13  | H65108   | 2J3  | 2   | 130 - 1  | H75700   | 2J25 | 28  | 140 - 3  |
| H63357   | 2B25 | 6   | 70 - 34  | H65108   | 2J4  | 1   | 130 - 2  | H75701   | 2J25 | 12  | 140 - 3  |
| H63357   | 2C1  | 3   | 70 - 35  | H65108   | 2J5  | 10  | 130 - 3  | H75702   | 2J25 | 13  | 140 - 3  |
| H63357   | 2C2  | 6   | 70 - 36  | H65108   | 2J20 | 1   | 130 - 18 | H75711   | 1H17 | 3   | 50 - 15  |
| H63576   | 2I14 | 17  | 120 - 62 | H65133   | 2K3  | 9   | 140 - 6  | H75712   | 1H17 | 3   | 50 - 15  |
| H63576   | 2I22 | 16  | 120 - 71 | H65662   | 2A21 | 12  | 70 - 2   | H75713   | 1H17 | 3   | 50 - 15  |
| H63577   | 2I14 | 13  | 120 - 62 | H748DA   | 2G1  | 8   | 110 - 33 | H75714   | 1H17 | 3   | 50 - 15  |
| H63578   | 2I12 | 9   | 120 - 60 | H75007   | 2G18 | 4   | 120 - 14 | H75715   | 1H17 | 3   | 50 - 15  |
| H63578   | 2I20 | 6   | 120 - 69 | H75008   | 2J25 | 21  | 140 - 3  | H75716   | 1H17 | 8   | 50 - 15  |
| H63578   | 2I22 | 11  | 120 - 71 | H75008   | 3A24 | 3   | 170 - 7  | H75732   | 2G7  | 8   | 120 - 3  |
| H64037   | 1H12 | 1   | 50 - 10  | H75009   | 2G18 | 38  | 120 - 14 | H75747   | 1C8  | 6   | 20 - 40  |
| H64042   | 1H22 | 11  | 50 - 20  | H75164   | 1H20 | 3   | 50 - 18  | H75748   | 1C8  | 1   | 20 - 40  |
| H64160   | 2K1  | 14  | 140 - 4  | H75179   | 1H12 | 11  | 50 - 10  | H75775   | 1I24 | 6   | 60 - 18  |
| H64374   | 1C12 | 12  | 20 - 44  | H75180   | 1H12 | 6   | 50 - 10  | H75777   | 1I24 | 2   | 60 - 18  |
| H64374   | 2F20 | 21  | 110 - 27 | H75244   | 1H17 | 6   | 50 - 15  | H75777   | 1I25 | 1   | 60 - 19  |
| H64374   | 2H6  | 21  | 120 - 27 | H75249   | 1H11 | 8   | 50 - 9   | H75813   | 1H11 | 20  | 50 - 9   |
| H64374   | 2H7  | 15  | 120 - 28 | H75251   | 1H11 | 5   | 50 - 9   | H75814   | 1H22 | 6   | 50 - 20  |
| H64374   | 2H19 | 7   | 120 - 40 | H75252   | 1H11 | 6   | 50 - 9   | H75816   | 3A24 | 5   | 170 - 7  |
| H64374   | 2I1  | 15  | 120 - 48 | H75254   | 1H11 | 10  | 50 - 9   | H75832   | 1H22 | 13  | 50 - 20  |
| H64374   | 2I14 | 11  | 120 - 62 | H75255   | 1H11 | 12  | 50 - 9   | H75833   | 1H23 | 3   | 50 - 21  |
| H64374   | 2I14 | 12  | 120 - 62 | H75256   | 1H21 | 22  | 50 - 19  | H75833   | 3A24 | 18  | 170 - 7  |
| H64374   | 2I15 | 7   | 120 - 63 | H75257   | 1H21 | 21  | 50 - 19  | H75847   | 3A24 | 17  | 170 - 7  |
| H64374   | 2I19 | 5   | 120 - 68 | H75282   | 2G20 | 24  | 120 - 16 | H75850   | 1I5  | 13  | 50 - 28  |
| H64374   | 2I22 | 12  | 120 - 71 | H75293   | 2D5  | 15  | 80 - 17  | H75851   | 1I5  | 6   | 50 - 28  |
| H64374   | 2J12 | 11  | 130 - 10 | H75294   | 2C18 | 3   | 80 - 5   | H75855   | 1I4  | 7A  | 50 - 27  |
| H64374   | 2J12 | 13  | 130 - 10 | H75295   | 2C18 | 4   | 80 - 5   | H75855   | 3A24 | 16  | 170 - 7  |
| H64374   | 2J21 | 10  | 130 - 19 | H75324   | 2G9  | 21  | 120 - 5  | H75856   | 1I4  | 15  | 50 - 27  |
| H64374   | 2J21 | 11  | 130 - 19 | H75346   | 2G18 | 34  | 120 - 14 | H75893   | 2F22 | 7   | 110 - 29 |
| H64374   | 2K1  | 27  | 140 - 4  | H75348   | 2G18 | 27  | 120 - 14 | H75894   | 2F20 | 23  | 110 - 27 |
| H64374   | 2K1  | 28  | 140 - 4  | H75348   | 2G22 | 23  | 120 - 19 | H75895   | 2F20 | 19  | 110 - 27 |
| H64375   | 2I14 | 9   | 120 - 62 | H75367   | 2G16 | 7   | 120 - 12 | H75924   | 1I5  | 4   | 50 - 28  |
| H64376   | 2F19 | 13  | 110 - 26 | H75374   | 2G16 | 9   | 120 - 12 | H75925   | 1I5  | 3   | 50 - 28  |
| H64376   | 2F19 | 15  | 110 - 26 | H75394   | 2H24 | 5   | 120 - 45 | H75926   | 1I2  | 21  | 50 - 25  |

## NUMERICAL INDEX - CONTINUED

| PART NO. | GRID | KEY | PAGE   | PART NO. | GRID | KEY | PAGE   | PART NO. | GRID | KEY | PAGE   |
|----------|------|-----|--------|----------|------|-----|--------|----------|------|-----|--------|
| H75928   | 1J2  | 6   | 60-21  | H76434   | 2H6  | 11  | 120-27 | H76989   | 2I11 | 2   | 120-59 |
| H75929   | 1J2  | 6   | 60-21  | H76434   | 3B5  | 1   | 170-15 | H77210   | 1D3  | 4   | 30-7   |
| H75931   | 1I25 | 7   | 60-19  | H76435   | 2H6  | 6   | 120-27 | H77240   | 1D4  | 10  | 30-8   |
| H75937   | 1J1  | 6   | 60-20  | H76436   | 2H6  | 3   | 120-27 | H77243   | 1D4  | 8   | 30-8   |
| H75938   | 1I2  | 7   | 50-25  | H76437   | 2H7  | 13  | 120-28 | H77244   | 1D4  | 17  | 30-8   |
| H75938   | 2C6  | 15  | 70-40  | H76440   | 2H6  | 17  | 120-27 | H77263   | 2K1  | 26  | 140-4  |
| H75975   | 2I20 | 26  | 120-69 | H76441   | 1H18 | 15  | 50-16  | H77263   | 3B4  | 1   | 170-13 |
| H75977   | 2I21 | 2   | 120-70 | H76441   | 1H19 | 15  | 50-17  | H77263   | 3B9  | 3   | 170-19 |
| H75978   | 2I22 | 13  | 120-71 | H76446   | 1H18 | 14  | 50-16  | H77265   | 2K1  | 29  | 140-4  |
| H75985   | 2D14 | 4   | 90-8   | H76451   | 1E17 | 2   | 30-46  | H77280   | 2F24 | 1   | 110-31 |
| H75987   | 2D14 | 2   | 90-8   | H76467   | 1E16 | 1   | 30-45  | H77286   | 2F16 | 1   | 110-23 |
| H76006   | 2I20 | 21  | 120-69 | H76478   | 1E20 | 6   | 40-2   | H77287   | 2G1  | 2   | 110-33 |
| H76008   | 2I20 | 22  | 120-69 | H76478   | 1F12 | 15  | 40-20  | H77288   | 2G1  | 5   | 110-33 |
| H76010   | 2H4  | 4   | 120-25 | H76478   | 1F13 | 6   | 40-21  | H77289   | 2G1  | 6   | 110-33 |
| H76010   | 2I20 | 24  | 120-69 | H76502   | 2B5  | 10  | 70-10  | H77292   | 2G1  | 5   | 110-33 |
| H76012   | 2I12 | 14  | 120-60 | H76502   | 2G17 | 8   | 120-13 | H77337   | 1I8  | 6   | 60-1   |
| H76014   | 2I12 | 15  | 120-60 | H76503   | 2G17 | 22  | 120-13 | H77358   | 1F3  | 11  | 40-10  |
| H76016   | 2I12 | 16  | 120-60 | H76504   | 2G17 | 23  | 120-13 | H77358   | 1H21 | 14  | 50-19  |
| H76020   | 2I10 | 6   | 120-58 | H76505   | 2G17 | 19  | 120-13 | H77358   | 1I22 | 9   | 60-16  |
| H76022   | 2I10 | 2   | 120-58 | H76507   | 2G17 | 16  | 120-13 | H77358   | 2B21 | 12  | 70-29  |
| H76024   | 2H24 | 7   | 120-45 | H76515   | 2G17 | 24  | 120-13 | H77371   | 1I9  | 12  | 60-2   |
| H76025   | 1H18 | 6   | 50-16  | H76517   | 2G17 | 3   | 120-13 | H77372   | 1I9  | 11  | 60-2   |
| H76025   | 1H19 | 6   | 50-17  | H76518   | 2B4  | 6   | 70-9   | H77373   | 1I9  | 6   | 60-2   |
| H76028   | 3B2  | 16  | 170-11 | H76518   | 2B5  | 9   | 70-10  | H77378   | 1I12 | 28  | 60-5   |
| H76032   | 2F25 | 8   | 110-32 | H76518   | 2G17 | 12  | 120-13 | H77383   | 2J24 | 1   | 140-2  |
| H76038   | 2F25 | 19  | 110-32 | H76522   | 2B5  | 4   | 70-10  | H77387   | 2J1  | 26  | 120-75 |
| H76040   | 2F25 | 12  | 110-32 | H76523   | 2B5  | 3   | 70-10  | H77392   | 2J24 | 20  | 140-2  |
| H76041   | 2F25 | 17  | 110-32 | H76526   | 2B5  | 11  | 70-10  | H77392   | 3B2  | 13  | 170-11 |
| H76042   | 3B17 | ..  | 170-28 | H76584   | 2J15 | 12  | 130-13 | H77416   | 2J3  | 21  | 130-1  |
| H76047   | 1J1  | 10  | 60-20  | H76607   | 2H8  | 4   | 120-29 | H77417   | 2J3  | 22  | 130-1  |
| H76064   | 1C14 | 20  | 20-46  | H76636   | 2H5  | 8   | 120-26 | H77420   | 2D5  | 3   | 80-17  |
| H76064   | 1E20 | 21  | 40-2   | H76654   | 2I8  | 3   | 120-56 | H77431   | 2J21 | 13  | 130-19 |
| H76084   | 2J3  | 13  | 130-1  | H76683   | 2E24 | 14  | 110-5  | H77434   | 2J21 | 6   | 130-19 |
| H76109   | 2B14 | 20  | 70-20  | H76690   | 2E25 | 13  | 110-6  | H77454   | 2J3  | 14  | 130-1  |
| H76136   | 3B12 | 10  | 170-23 | H76690   | 2F1  | 13  | 110-7  | H77458   | 2J21 | 17  | 130-19 |
| H76139   | 1C22 | 8   | 30-1   | H76694   | 2F7  | 17  | 110-14 | H77459   | 2J21 | 14  | 130-19 |
| H76139   | 1D5  | 2   | 30-9   | H76696   | 2E24 | 15  | 110-5  | H77460   | 2J21 | 12  | 130-19 |
| H76139   | 1E16 | 3   | 30-45  | H76696   | 2E24 | 16  | 110-5  | H77490   | 2J18 | 14  | 130-16 |
| H76139   | 1E23 | 18  | 40-5   | H76696   | 2E25 | 12  | 110-6  | H77493   | 2J19 | 17  | 130-17 |
| H76139   | 1F23 | 15  | 40-32  | H76696   | 2F1  | 12  | 110-7  | H77494   | 2J19 | 18  | 130-17 |
| H76139   | 1H24 | 13  | 50-22  | H76696   | 2H22 | 19  | 120-43 | H77516   | 2K2  | 2   | 140-5  |
| H76139   | 2C22 | 4   | 80-9   | H76700   | 2E25 | 19  | 110-6  | H77529   | 2C18 | 7   | 80-5   |
| H76139   | 2C22 | 16  | 80-9   | H76700   | 2F1  | 19  | 110-7  | H77530   | 2C18 | 13  | 80-5   |
| H76139   | 2C23 | 9   | 80-10  | H76701   | 2E24 | 19  | 110-5  | H77578   | 2E24 | 6   | 110-5  |
| H76139   | 2D11 | 16  | 90-5   | H76728   | 2J23 | 7   | 140-1  | H77578   | 2J9  | 21  | 130-7  |
| H76139   | 2D14 | 15  | 90-8   | H76732   | 2J23 | 10  | 140-1  | H77628   | 2E23 | 19  | 110-4  |
| H76139   | 2G7  | 30  | 120-3  | H76759   | 2J18 | 12  | 130-16 | H77644   | 1H4  | 6   | 50-2   |
| H76139   | 2H15 | 1   | 120-36 | H76760   | 2J18 | 8   | 130-16 | H77645   | 1H4  | 6   | 50-2   |
| H76139   | 2H20 | 16  | 120-41 | H76788   | 1I2  | 3   | 50-25  | H77680   | 2B19 | 1   | 70-27  |
| H76139   | 2H24 | 1   | 120-45 | H76790   | 2J17 | 3   | 130-15 | H77682   | 2B19 | 4   | 70-27  |
| H76139   | 2I18 | 4   | 120-67 | H76790   | 2J17 | 4   | 130-15 | H77683   | 3B2  | 14  | 170-11 |
| H76139   | 2J4  | 18  | 130-2  | H76805   | 2C18 | 5   | 80-5   | H77687   | 2K3  | 4   | 140-6  |
| H76139   | 2K3  | 2   | 140-6  | H76846   | 2G1  | 11  | 110-33 | H77688   | 2K3  | 7   | 140-6  |
| H76155   | 1H18 | 8   | 50-16  | H76848   | 2F21 | 15  | 110-28 | H77698   | 1F2  | 16  | 40-9   |
| H76155   | 1H19 | 8   | 50-17  | H76848   | 3B2  | 8   | 170-11 | H77698   | 1F3  | 17  | 40-10  |
| H76162   | 1C22 | 6   | 30-1   | H76849   | 2F19 | 3   | 110-26 | H77698   | 1G2  | 2   | 40-35  |
| H76165   | 1C22 | 5   | 30-1   | H76851   | 2F19 | 3   | 110-26 | H77698   | 2G15 | 14  | 120-11 |
| H76209   | 2H19 | 15  | 120-40 | H76851   | 3B2  | 5   | 170-11 | H77698   | 2K13 | 1   | 160-9  |
| H76258   | 2G7  | 16  | 120-3  | H76869   | 1H3  | 6   | 50-1   | H77703   | 2H4  | 3   | 120-25 |
| H76258   | 2H10 | 14  | 120-31 | H76873   | 1H3  | 24  | 50-1   | H77706   | 2H4  | 4   | 120-25 |
| H76258   | 2H12 | 1   | 120-33 | H76877   | 2G7  | 4   | 120-3  | H77710   | 2I10 | 7   | 120-58 |
| H76258   | 2H12 | 9   | 120-33 | H76890   | 2H4  | 2   | 120-25 | H77712   | 2H20 | 6   | 120-41 |
| H76357   | 1E14 | 8   | 30-43  | H76901   | 2I1  | 20  | 120-48 | H77713   | 2H20 | 3   | 120-41 |
| H76365   | 1E15 | 13  | 30-44  | H76918   | 1I24 | 3   | 60-18  | H77719   | 2H22 | 11  | 120-43 |
| H76371   | 2K3  | 12  | 140-6  | H76933   | 2H22 | 22  | 120-43 | H77751   | 2F7  | 2   | 110-14 |
| H76431   | 2H6  | 19  | 120-27 | H76958   | 2J15 | 25  | 130-13 | H77885   | 2C15 | 3   | 80-2   |
| H76432   | 2H6  | 8   | 120-27 | H76958   | 3B12 | 6   | 170-23 | H77885   | 2C16 | 14  | 80-3   |

## NUMERICAL INDEX - CONTINUED

| PART NO. | GRID | KEY | PAGE   | PART NO. | GRID | KEY | PAGE   | PART NO. | GRID | KEY | PAGE   |
|----------|------|-----|--------|----------|------|-----|--------|----------|------|-----|--------|
| H77920   | 2J4  | 17  | 130-2  | H78685   | 2B3  | 27  | 70-8   | H79787   | 2H19 | 16  | 120-40 |
| H77924   | 1I16 | 17  | 60-10  | H78685   | 2B21 | 21  | 70-29  | H79787   | 3B7  | 2   | 170-17 |
| H77931   | 1I8  | 15  | 60-1   | H78744   | 2I3  | 8   | 120-50 | H79897   | 1E22 | 4   | 40-4   |
| H77931   | 2G15 | 25  | 120-11 | H78745   | 2I3  | 6   | 120-50 | H79917   | 3B9  | 2   | 170-19 |
| H77931   | 2G24 | 20  | 120-21 | H78794   | 2K3  | 3   | 140-6  | H79918   | 2I23 | 8   | 120-72 |
| H77931   | 2H2  | 18  | 120-23 | H78802   | 1H21 | 16  | 50-19  | H79921   | 2I23 | 10  | 120-72 |
| H77932   | 1H9  | 6   | 50-7   | H78808   | 2D11 | 9   | 90-5   | H79922   | 2I23 | 13  | 120-72 |
| H77932   | 2C23 | 1   | 80-10  | H78809   | 2D11 | 7   | 90-5   | H79934   | 1H7  | 10  | 50-5   |
| H77937   | 1I16 | 24  | 60-10  | H78812   | 1I9  | 7   | 60-2   | H79962   | 2D9  | 14  | 90-3   |
| H77938   | 1H3  | 19  | 50-1   | H78813   | 1I9  | 15  | 60-2   | H79996   | 2G14 | 18  | 120-10 |
| H77943   | 1H3  | 12  | 50-1   | H78827   | 2D11 | 29  | 90-5   | H80034   | 3B14 | 10  | 170-25 |
| H77950   | 2F20 | 18  | 110-27 | H78838   | 2J3  | 23  | 130-1  | H80052   | 2H23 | 3   | 120-44 |
| H77950   | 2F20 | 20  | 110-27 | H78839   | 2J3  | 24  | 130-1  | H80067   | 2C20 | 3   | 80-7   |
| H77950   | 3B2  | 22  | 170-11 | H78850   | 2I12 | 13  | 120-60 | H80068   | 2J20 | 3   | 130-18 |
| H77951   | 2F20 | 18  | 110-27 | H78851   | 2I12 | 13  | 120-60 | H80103   | 3A25 | 2   | 170-9  |
| H77951   | 2F20 | 20  | 110-27 | H78855   | 1C8  | 17  | 20-40  | H80107   | 1H5  | 8   | 50-3   |
| H77951   | 3B2  | 22  | 170-11 | H78856   | 1C8  | 18  | 20-40  | H80107   | 1H6  | 14  | 50-4   |
| H77964   | 2F9  | 8   | 110-16 | H78857   | 1C8  | 20  | 20-40  | H80138   | 2H23 | 1   | 120-44 |
| H77967   | 2F22 | 4   | 110-29 | H78865   | 2J1  | 28  | 120-75 | H80141   | 2I5  | 10  | 120-53 |
| H77967   | 3B2  | 19  | 170-11 | H78869   | 2J1  | 33  | 120-75 | H80148   | 2I13 | 19  | 120-61 |
| H77979   | 2F20 | 18  | 110-27 | H78880   | 2F14 | 11  | 110-21 | H80153   | 1H3  | 13  | 50-1   |
| H77979   | 2F20 | 20  | 110-27 | H78884   | 2F14 | 4   | 110-21 | H80159   | 3B7  | 9   | 170-17 |
| H77979   | 3B2  | 22  | 170-11 | H78884   | 2F14 | 4   | 110-21 | H80179   | 1F6  | 28  | 40-13  |
| H77999   | 1J1  | 2   | 60-20  | H78884   | 2F15 | 5   | 110-22 | H80180   | 1F6  | 26  | 40-13  |
| H78001   | 1H3  | 11  | 50-1   | H788919  | 2I15 | 10  | 120-63 | H80181   | 1F6  | 22  | 40-13  |
| H78002   | 1H3  | 26  | 50-1   | H78938   | 2G7  | 11  | 120-3  | H80185   | 1F5  | 7   | 40-12  |
| H78062   | 1J3  | 7   | 60-22  | H78972   | 2B4  | 14  | 70-9   | H80197   | 1C8  | 3   | 20-40  |
| H78110   | 1D4  | 5   | 30-8   | H78973   | 2B4  | 14  | 70-9   | H80198   | 1C8  | 16  | 20-40  |
| H78111   | 1D4  | 7   | 30-8   | H78988   | 2K2  | 37  | 140-5  | H80205   | 2B6  | 2   | 70-11  |
| H78134   | 2D14 | 19  | 90-8   | H79019   | 1I3  | 7   | 50-26  | H80215   | 2K1  | 2   | 140-4  |
| H78180   | 2J19 | 20  | 130-17 | H79019   | 1I21 | 2   | 60-15  | H80226   | 2F21 | 19  | 110-28 |
| H78273   | 2F4  | 5   | 110-11 | H79067   | 2I15 | 8   | 120-63 | H80227   | 2J15 | 21  | 130-13 |
| H78274   | 2F4  | 14  | 110-11 | H79072   | 2I15 | 14  | 120-63 | H80252   | 1J2  | 6   | 60-21  |
| H78289   | 2D14 | 3   | 90-8   | H79285   | 3B4  | 2   | 170-13 | H80264   | 2D22 | 6   | 90-16  |
| H78290   | 2I21 | 4   | 120-70 | H79287   | 3B14 | 8   | 170-25 | H80295   | 2J1  | 19  | 120-75 |
| H78294   | 2I22 | 8   | 120-71 | H79317   | 3B14 | 7   | 170-25 | H80296   | 2J1  | 22  | 120-75 |
| H78296   | 2I20 | 26  | 120-69 | H79357   | 2I11 | 7   | 120-59 | H80304   | 1E20 | 15  | 40-2   |
| H78297   | 2I22 | 1   | 120-71 | H79358   | 2I11 | 10  | 120-59 | H80305   | 2G15 | 15  | 120-11 |
| H78297   | 3B9  | 7   | 170-19 | H79404   | 2F21 | 8   | 110-28 | H80306   | 1F18 | 5   | 40-27  |
| H78307   | 1H21 | 10  | 50-19  | H79404   | 2F23 | 7   | 110-30 | H80306   | 2C21 | 29  | 80-8   |
| H78309   | 1H21 | 11  | 50-19  | H79449   | 2G1  | 17  | 110-33 | H80314   | 2J10 | 10  | 130-8  |
| H78340   | 2A22 | 7   | 70-3   | H79449   | 2G19 | 1   | 120-15 | H80315   | 2J10 | 16  | 130-8  |
| H78354   | 1F3  | 16  | 40-10  | H79449   | 2G20 | 17  | 120-16 | H80357   | 1H14 | 4   | 50-12  |
| H78360   | 2G18 | 28  | 120-14 | H79481   | 1C23 | 4   | 30-2   | H80364   | 2J15 | 20  | 130-13 |
| H78360   | 2G22 | 22  | 120-19 | H79481   | 1E21 | 19  | 40-3   | H80370   | 2I6  | 4   | 120-54 |
| H78420   | 1I8  | 14  | 60-1   | H79484   | 2G9  | 24  | 120-5  | H80372   | 2I6  | 5   | 120-54 |
| H78421   | 1I8  | 5   | 60-1   | H79514   | 1I11 | 12  | 60-4   | H80387   | 1H21 | 5   | 50-19  |
| H78423   | 1I8  | 16  | 60-1   | H79573   | 1I21 | 7   | 60-15  | H80405   | 2A20 | 4   | 70-1   |
| H78426   | 1H6  | 6   | 50-4   | H79576   | 1I3  | 10  | 50-26  | H80407   | 3B17 | ..  | 170-28 |
| H78437   | 1H3  | 17A | 50-1   | H79577   | 1I21 | 10  | 60-15  | H80419   | 2B15 | 14  | 70-21  |
| H78440   | 1H3  | 15  | 50-1   | H79599   | 2G20 | 7   | 120-16 | H80437   | 1I2  | 8   | 50-25  |
| H78450   | 2I13 | 9   | 120-61 | H79638   | 2G18 | 14  | 120-14 | H80438   | 1I2  | 14  | 50-25  |
| H78480   | 2I5  | 9   | 120-53 | H79638   | 2G22 | 14  | 120-19 | H80439   | 1I2  | 12  | 50-25  |
| H78498   | 2I7  | 30  | 120-55 | H79646   | 2G18 | 11  | 120-14 | H80440   | 1I2  | 17  | 50-25  |
| H78500   | 2I7  | 25  | 120-55 | H79646   | 2G22 | 11  | 120-19 | H80440   | 2C6  | 4   | 70-40  |
| H78505   | 2I6  | 12  | 120-54 | H79646   | 3A24 | 7   | 170-7  | H80441   | 2C6  | 8   | 70-40  |
| H78522   | 2I8  | 11  | 120-56 | H79647   | 2G18 | 11  | 120-14 | H80442   | 2C6  | 10  | 70-40  |
| H78523   | 2I8  | 8   | 120-56 | H79647   | 3A24 | 7   | 170-7  | H80443   | 2C6  | 7   | 70-40  |
| H78523   | 3B5  | 5   | 170-15 | H79683   | 2G18 | 13  | 120-14 | H80447   | 2A24 | 59  | 70-5   |
| H78526   | 2I8  | 9   | 120-56 | H79683   | 2G22 | 13  | 120-19 | H80447   | 2B2  | 58  | 70-7   |
| H78531   | 2J10 | 13  | 130-8  | H79688   | 2G18 | 22  | 120-14 | H80448   | 2A24 | 49  | 70-5   |
| H78537   | 2J10 | 7   | 130-8  | H79688   | 2G22 | 28  | 120-19 | H80448   | 2B2  | 48  | 70-7   |
| H78546   | 2D22 | 9   | 90-16  | H79689   | 2G20 | 25  | 120-16 | H80449   | 2A23 | 28  | 70-4   |
| H78557   | 2C20 | 8   | 80-7   | H79757   | 2G9  | 17  | 120-5  | H80449   | 2B1  | 27  | 70-6   |
| H78560   | 1I19 | 6   | 60-13  | H79757   | 2G13 | 17  | 120-9  | H80450   | 2A23 | 26  | 70-4   |
| H78624   | 2E24 | 11  | 110-5  | H79784   | 1C15 | 17  | 20-47  | H80452   | 2A24 | 55  | 70-5   |
| H78684   | 2B21 | 18  | 70-29  | H79784   | 2E24 | 17  | 110-5  | H80452   | 2B2  | 54  | 70-7   |

## NUMERICAL INDEX - CONTINUED

| PART NO. | GRID | KEY | PAGE   | PART NO. | GRID | KEY | PAGE   | PART NO. | GRID | KEY | PAGE   |
|----------|------|-----|--------|----------|------|-----|--------|----------|------|-----|--------|
| H80596   | 3B14 | 11  | 170-25 | H81246   | 2D9  | 17  | 90-3   | H82071   | 2I23 | 6   | 120-72 |
| H80627   | 1E20 | 13  | 40-2   | H81247   | 2D9  | 13  | 90-3   | H82072   | 2I16 | 7   | 120-64 |
| H80627   | 2B11 | 6   | 70-17  | H81250   | 2D9  | 19  | 90-3   | H82157   | 1H7  | 4   | 50-5   |
| H80663   | 2J15 | 31  | 130-13 | H81252   | 2D9  | 18  | 90-3   | H82165   | 1H12 | 7   | 50-10  |
| H80665   | 1C23 | 16  | 30-2   | H81253   | 2D9  | 5   | 90-3   | H82237   | 2E6  | 9   | 90-25  |
| H80681   | 2A22 | 6   | 70-3   | H81277   | 2F7  | 23  | 110-14 | H82241   | 2D25 | 15  | 90-19  |
| H80682   | 2A22 | 5   | 70-3   | H81326   | 2D1  | 3   | 80-13  | H82306   | 2F19 | 12  | 110-26 |
| H80686   | 2G17 | 18  | 120-13 | H81330   | 2I18 | 16  | 120-67 | H82306   | 2F20 | 5   | 110-27 |
| H80704   | 2I14 | 8   | 120-62 | H81342   | 2D9  | 9   | 90-3   | H82314   | 2G9  | 8   | 120-5  |
| H80707   | 1H7  | 15  | 50-5   | H81350   | 2D1  | 7   | 80-13  | H82314   | 2G13 | 8   | 120-9  |
| H80708   | 1H7  | 13  | 50-5   | H81352   | 2D22 | 3   | 90-16  | H82368   | 2G15 | 24  | 120-11 |
| H80714   | 2I1  | 19  | 120-48 | H81362   | 2J23 | 9   | 140-1  | H82425   | 2E17 | 11  | 90-37  |
| H80714   | 2I20 | 12  | 120-69 | H81372   | 2B14 | 2   | 70-20  | H82426   | 2E17 | 5   | 90-37  |
| H80724   | 2K1  | 11  | 140-4  | H81458   | 1I12 | 5   | 60-5   | H82444   | 2G16 | 14  | 120-12 |
| H80724   | 3B5  | 3   | 170-15 | H81459   | 1I12 | 1   | 60-5   | H82445   | 2G16 | 14  | 120-12 |
| H80726   | 3B5  | 7   | 170-15 | H81460   | 1I12 | 2   | 60-5   | H82446   | 3B17 | ..  | 170-28 |
| H80731   | 2J9  | 11  | 130-7  | H81461   | 1I12 | 30  | 60-5   | H82447   | 2G16 | 13  | 120-12 |
| H80754   | 2I11 | 5   | 120-59 | H81462   | 1I12 | 10  | 60-5   | H82448   | 2G17 | 4   | 120-13 |
| H80755   | 2I11 | 11  | 120-59 | H81463   | 1I12 | 12  | 60-5   | H82457   | 2F21 | 5   | 110-28 |
| H80757   | 2J1  | 27  | 120-75 | H81464   | 1I12 | 13  | 60-5   | H82457   | 2F23 | 4   | 110-30 |
| H80758   | 2J1  | 13  | 120-75 | H81465   | 1I12 | 14  | 60-5   | H82460   | 2H5  | 4   | 120-26 |
| H80759   | 2F25 | 15  | 110-32 | H81466   | 1I12 | 11  | 60-5   | H82497   | 2G7  | 15  | 120-3  |
| H80760   | 2F25 | 16  | 110-32 | H81467   | 1I12 | 16  | 60-5   | H82510   | 2F10 | 8   | 110-17 |
| H80796   | 3B17 | ..  | 170-28 | H81468   | 1I12 | 15  | 60-5   | H82520   | 2G2  | 3   | 110-34 |
| H80800   | 2J15 | 28  | 130-13 | H81469   | 1I12 | 8   | 60-5   | H82521   | 2F14 | 5   | 110-21 |
| H80806   | 2F7  | 7   | 110-14 | H81470   | 1I12 | 7   | 60-5   | H82530   | 2F11 | 8   | 110-18 |
| H80811   | 1H3  | 18  | 50-1   | H81471   | 1I12 | 6   | 60-5   | H82532   | 2F19 | 17  | 110-26 |
| H80813   | 2B18 | 13  | 70-25  | H81472   | 1I12 | 27  | 60-5   | H82532   | 2F20 | 13  | 110-27 |
| H80818   | 2A21 | 20  | 70-2   | H81528   | 1D3  | 4   | 30-7   | H82542   | 2B4  | 12  | 70-9   |
| H80819   | 2A21 | 16  | 70-2   | H81592   | 3B17 | ..  | 170-28 | H82556   | 1I16 | 4   | 60-10  |
| H80820   | 2A21 | 19  | 70-2   | H81593   | 3B17 | ..  | 170-28 | H82587   | 1H23 | 1   | 50-21  |
| H80821   | 2A21 | 15  | 70-2   | H81608   | 2K10 | 13  | 160-6  | H82617   | 2D11 | 28  | 90-5   |
| H80826   | 2I9  | 17  | 120-57 | H81660   | 2J17 | 6   | 130-15 | H82618   | 2I24 | 15  | 120-73 |
| H80827   | 2I9  | 21  | 120-57 | H81669   | 2E17 | 6   | 90-37  | H82619   | 2G9  | 1   | 120-5  |
| H80829   | 2I10 | 9   | 120-58 | H81679   | 1F11 | 21  | 40-19  | H82619   | 2G13 | 1   | 120-9  |
| H80838   | 2F10 | 6   | 110-17 | H81685   | 2E3  | 7   | 90-22  | H82619   | 2J23 | 1   | 140-1  |
| H80840   | 2F10 | 7   | 110-17 | H81688   | 1I9  | 6   | 60-2   | H82620   | 2J24 | 24  | 140-2  |
| H80843   | 2F10 | 4   | 110-17 | H81695   | 3B17 | ..  | 170-28 | H82630   | 2G7  | 7   | 120-3  |
| H80843   | 2F11 | 5   | 110-18 | H81696   | 2D16 | 2   | 90-10  | H82699   | 2E24 | 2   | 110-5  |
| H80845   | 2F18 | 21  | 110-25 | H81707   | 2A23 | 31  | 70-4   | H82700   | 2E24 | 20  | 110-5  |
| H80845   | 3B2  | 1   | 170-11 | H81707   | 2B1  | 31  | 70-6   | H82711   | 1F7  | 2   | 40-14  |
| H80923   | 2F19 | 14  | 110-26 | H81707   | 2B7  | 12  | 70-12  | H82711   | 1F8  | 3   | 40-15  |
| H80923   | 2F20 | 1   | 110-27 | H81707   | 2B8  | 12  | 70-13  | H82724   | 1G5  | 2   | 40-38  |
| H80926   | 2E21 | 8   | 110-1  | H81710   | 2F7  | 4   | 110-14 | H82724   | 3A21 | 2   | 170-3  |
| H80926   | 2F19 | 16  | 110-26 | H81720   | 2D9  | 15  | 90-3   | H82748   | 1H22 | 22  | 50-20  |
| H80926   | 2F20 | 4   | 110-27 | H81721   | 2D9  | 12  | 90-3   | H82771   | 2D16 | 18  | 90-10  |
| H80934   | 1H22 | 12  | 50-20  | H81734   | 1C23 | 1   | 30-2   | H82780   | 2J5  | 7   | 130-3  |
| H80936   | 1H22 | 17  | 50-20  | H81734   | 1D2  | 2   | 30-6   | H82780   | 2J8  | 5   | 130-6  |
| H80937   | 1H22 | 19  | 50-20  | H81748   | 1E16 | 5   | 30-45  | H82798   | 2H18 | 29  | 120-39 |
| H80970   | 2D13 | 4   | 90-7   | H81780   | 3B14 | 15  | 170-25 | H82935   | 2J10 | 11  | 130-8  |
| H80970   | 2D16 | 25  | 90-10  | H81782   | 2D25 | 1   | 90-19  | H82936   | 2D13 | 7   | 90-7   |
| H80988   | 1C8  | 8   | 20-40  | H81792   | 2D24 | 1   | 90-18  | H82937   | 2D13 | 8   | 90-7   |
| H80989   | 1C8  | 4   | 20-40  | H81793   | 2D24 | 2   | 90-18  | H82987   | 2H3  | 11  | 120-24 |
| H80991   | 2J23 | 8   | 140-1  | H81794   | 2D24 | 6   | 90-18  | H83025   | 2E6  | 12  | 90-25  |
| H80993   | 1H7  | 1   | 50-5   | H81796   | 2D24 | 4   | 90-18  | H83053   | 2B16 | 1   | 70-22  |
| H80995   | 1H7  | 7   | 50-5   | H81797   | 2D24 | 5   | 90-18  | H83054   | 2B16 | 12  | 70-22  |
| H81001   | 2E17 | 13  | 90-37  | H81798   | 2D24 | 3   | 90-18  | H83054   | 2J11 | 1   | 130-9  |
| H81010   | 2E17 | 16  | 90-37  | H81804   | 2C21 | 2   | 80-8   | H83055   | 2D17 | 5   | 90-11  |
| H81011   | 2E17 | 12  | 90-37  | H81804   | 2D25 | 12  | 90-19  | H83055   | 2D18 | 9   | 90-12  |
| H81067   | 1E23 | 10  | 40-5   | H81847   | 2D16 | 26  | 90-10  | H83058   | 2B5  | 1   | 70-10  |
| H81068   | 1E23 | 4   | 40-5   | H81847   | 2E3  | 5   | 90-22  | H83058   | 2J1  | 1   | 120-75 |
| H81069   | 1E23 | 14  | 40-5   | H81921   | 1F14 | 3   | 40-23  | H83059   | 2J1  | 1   | 120-75 |
| H81070   | 1E23 | 9   | 40-5   | H81960   | 2H24 | 10  | 120-45 | H83060   | 1F12 | 11  | 40-20  |
| H81071   | 1E23 | 8   | 40-5   | H81962   | 2I7  | 18  | 120-55 | H83060   | 1F13 | 3   | 40-21  |
| H81074   | 2F7  | 21  | 110-14 | H81963   | 2I7  | 18  | 120-55 | H83060   | 2C22 | 9   | 80-9   |
| H81101   | 2F13 | 10  | 110-20 | H81972   | 2I7  | 29  | 120-55 | H83062   | 2E3  | 10  | 90-22  |
| H81222   | 3B10 | 3   | 170-21 | H82069   | 2D9  | 4   | 90-3   | H83078   | 2G24 | 26  | 120-21 |

## NUMERICAL INDEX - CONTINUED

| PART NO. | GRID | KEY | PAGE   | PART NO. | GRID | KEY | PAGE   | PART NO. | GRID | KEY | PAGE   |
|----------|------|-----|--------|----------|------|-----|--------|----------|------|-----|--------|
| H83078   | 2H2  | 24  | 120-23 | H83795   | 2H22 | 20  | 120-43 | H84942   | 2F7  | 14  | 110-14 |
| H83078   | 3A24 | 2   | 170-7  | H83796   | 2H22 | 1   | 120-43 | H84943   | 2F7  | 16  | 110-14 |
| H83081   | 2I1  | 23  | 120-48 | H83798   | 2H22 | 17  | 120-43 | H84944   | 2F7  | 15  | 110-14 |
| H83081   | 3B4  | 4   | 170-13 | H83806   | 2H20 | 5   | 120-41 | H84945   | 2F7  | 12  | 110-14 |
| H83083   | 2I1  | 16  | 120-48 | H83823   | 2F5  | 12  | 110-12 | H84946   | 2F7  | 12  | 110-14 |
| H83087   | 2I20 | 15  | 120-69 | H83824   | 2F5  | 9   | 110-12 | H84947   | 3B14 | 5   | 170-25 |
| H83089   | 2I2  | 29  | 120-49 | H83860   | 2J5  | 11  | 130-3  | H84954   | 2F24 | 10  | 110-31 |
| H83090   | 2I2  | 32  | 120-49 | H83943   | 2D25 | 23  | 90-19  | H84956   | 2F15 | 2   | 110-22 |
| H83105   | 2I13 | 2   | 120-61 | H83944   | 2B6  | 1   | 70-11  | H84958   | 2F15 | 2   | 110-22 |
| H83107   | 3B16 | 7   | 170-27 | H83966   | 1C23 | 3   | 30-2   | H84959   | 2F15 | 6   | 110-22 |
| H83132   | 2H22 | 21  | 120-43 | H84026   | 2F8  | 4   | 110-15 | H84961   | 2F24 | 12  | 110-31 |
| H83138   | 1I10 | 12  | 60-3   | H84102   | 2J24 | 2   | 140-2  | H84975   | 2D14 | 14  | 90-8   |
| H83208   | 1I3  | 15  | 50-26  | H84103   | 2J24 | 4   | 140-2  | H84981   | 2D14 | 18  | 90-8   |
| H83208   | 1I20 | 7   | 60-14  | H84103   | 3A25 | 1   | 170-9  | H84983   | 2H12 | 17  | 120-33 |
| H83208   | 1I21 | 13  | 60-15  | H84103   | 3B7  | 7   | 170-17 | H84984   | 2H12 | 13  | 120-33 |
| H83208   | 1I22 | 6   | 60-16  | H84106   | 2J23 | 3   | 140-1  | H84990   | 2H16 | 5   | 120-37 |
| H83217   | 2J10 | 17  | 130-8  | H84106   | 3A24 | 13  | 170-7  | H84992   | 2H16 | 3   | 120-37 |
| H83220   | 2J10 | 6   | 130-8  | H84106   | 3B12 | 9   | 170-23 | H84994   | 2H16 | 7   | 120-37 |
| H83241   | 2A21 | 14  | 70-2   | H84107   | 2E6  | 6   | 90-25  | H85004   | 2H12 | 4   | 120-33 |
| H83262   | 1H18 | 12  | 50-16  | H84108   | 2E6  | 7   | 90-25  | H85013   | 2H12 | 18  | 120-33 |
| H83263   | 1H18 | 13  | 50-16  | H84109   | 1F11 | 3   | 40-19  | H85014   | 2H12 | 14  | 120-33 |
| H83282   | 2E3  | 8   | 90-22  | H84158   | 2F18 | 11  | 110-25 | H85015   | 2F18 | 19  | 110-25 |
| H83284   | 2F16 | 1   | 110-23 | H84175   | 3B17 | ..  | 170-28 | H85092   | 1E22 | 13  | 40-4   |
| H83285   | 2F21 | 4   | 110-28 | H84197   | 2D25 | 17  | 90-19  | H85092   | 2C25 | 3   | 80-12  |
| H83285   | 2F23 | 3   | 110-30 | H84201   | 2F21 | 7   | 110-28 | H85096   | 2J15 | 8   | 130-13 |
| H83287   | 1C23 | 13  | 30-2   | H84201   | 2F23 | 6   | 110-30 | H85097   | 2J15 | 11  | 130-13 |
| H83330   | 1F7  | 12  | 40-14  | H84201   | 3B2  | 7   | 170-11 | H85156   | 2H9  | 8   | 120-30 |
| H83347   | 1C8  | 22  | 20-40  | H84201   | 3B2  | 10  | 170-11 | H85156   | 2H10 | 8   | 120-31 |
| H83348   | 1D4  | 13  | 30-8   | H84229   | 1H11 | 2   | 50-9   | H85164   | 2H15 | 6   | 120-36 |
| H83371   | 2B3  | 4   | 70-8   | H84231   | 1H11 | 3   | 50-9   | H85167   | 2H15 | 8   | 120-36 |
| H83371   | 2B12 | 11  | 70-18  | H84292   | 2G11 | 11  | 120-7  | H85169   | 2H15 | 11  | 120-36 |
| H83386   | 2C18 | 14  | 80-5   | H84292   | 2G15 | 28  | 120-11 | H85174   | 2H9  | 12  | 120-30 |
| H83387   | 1E23 | 16  | 40-5   | H84295   | 2G15 | 27  | 120-11 | H85175   | 2H9  | 3   | 120-30 |
| H83448   | 2D13 | 14  | 90-7   | H84365   | 2J25 | 20  | 140-3  | H85181   | 2H15 | 2   | 120-36 |
| H83460   | 1I2  | 2   | 50-25  | H84367   | 2C6  | 17  | 70-40  | H85184   | 2H15 | 9   | 120-36 |
| H83469   | 2H7  | 6   | 120-28 | H84390   | 2F18 | 26  | 110-25 | H85184   | 2H16 | 14  | 120-37 |
| H83494   | 1I4  | 21  | 50-27  | H84417   | 2J25 | 18  | 140-3  | H85186   | 2H15 | 5   | 120-36 |
| H83575   | 2E23 | 10  | 110-4  | H84417   | 3A24 | 3   | 170-7  | H85190   | 2H5  | 13  | 120-26 |
| H83576   | 2E23 | 9   | 110-4  | H84449   | 2F21 | 13  | 110-28 | H85200   | 1H6  | 3   | 50-4   |
| H83590   | 2J1  | 3   | 120-75 | H84449   | 2F23 | 17  | 110-30 | H85229   | 2G16 | 1   | 120-12 |
| H83592   | 2F13 | 5   | 110-20 | H84481   | 2D25 | 14  | 90-19  | H85233   | 2D14 | 10  | 90-8   |
| H83596   | 2F13 | 15  | 110-20 | H84513   | 2F13 | 14  | 110-20 | H85253   | 1I4  | 11  | 50-27  |
| H83617   | 1F6  | 20  | 40-13  | H84537   | 2A23 | 30  | 70-4   | H85345   | 2D11 | 20  | 90-5   |
| H83720   | 2F23 | 8   | 110-30 | H84537   | 2B1  | 32  | 70-6   | H85354   | 1H17 | 2   | 50-15  |
| H83720   | 3B2  | 10  | 170-11 | H84537   | 2B7  | 10  | 70-12  | H85372   | 2G16 | 6   | 120-12 |
| H83721   | 2F21 | 9   | 110-28 | H84537   | 2B8  | 10  | 70-13  | H85396   | 2J3  | 5   | 130-1  |
| H83722   | 3B2  | 7   | 170-11 | H84542   | 2G9  | 3   | 120-5  | H85398   | 3B16 | 3   | 170-27 |
| H83732   | 2I10 | 5   | 120-58 | H84542   | 2G13 | 3   | 120-9  | H85401   | 1H3  | 28  | 50-1   |
| H83737   | 2E23 | 2   | 110-4  | H84542   | 3A24 | 11  | 170-7  | H85440   | 2G20 | 4   | 120-16 |
| H83738   | 2E23 | 3   | 110-4  | H84556   | 1C16 | 6   | 20-48  | H85441   | 2J24 | 27  | 140-2  |
| H83742   | 2B24 | 7   | 70-33  | H84581   | 2C22 | 5   | 80-9   | H85441   | 3A24 | 3   | 170-7  |
| H83743   | 2C3  | 7   | 70-37  | H84620   | 1H7  | 11  | 50-5   | H85442   | 2J24 | 27  | 140-2  |
| H83743   | 2C5  | 9   | 70-39  | H84621   | 1H7  | 12  | 50-5   | H85442   | 3A24 | 3   | 170-7  |
| H83743   | 2C9  | 7   | 70-43  | H84624   | 1I16 | 11  | 60-10  | H85448   | 2G22 | 2   | 120-19 |
| H83746   | 2J16 | 8   | 130-14 | H84625   | 1I16 | 15  | 60-10  | H85448   | 3A24 | 6   | 170-7  |
| H83746   | 2J21 | 2   | 130-19 | H84659   | 1I8  | 4   | 60-1   | H85449   | 2G22 | 21  | 120-19 |
| H83746   | 3B12 | 1   | 170-23 | H84662   | 2J1  | 7   | 120-75 | H85450   | 2G22 | 1   | 120-19 |
| H83746   | 3B12 | 3   | 170-23 | H84692   | 1E14 | 2   | 30-43  | H85457   | 2D14 | 20  | 90-8   |
| H83756   | 2H18 | 9   | 120-39 | H84693   | 1E15 | 10  | 30-44  | H85458   | 2D14 | 22  | 90-8   |
| H83761   | 2J25 | 14  | 140-3  | H84838   | 2H25 | 11  | 120-47 | H85464   | 2D14 | 11  | 90-8   |
| H83769   | 2B3  | 3   | 70-8   | H84839   | 2H25 | 12  | 120-47 | H85465   | 2D14 | 12  | 90-8   |
| H83769   | 2B12 | 10  | 70-18  | H84857   | 2G11 | 7   | 120-7  | H85481   | 1C8  | 11  | 20-40  |
| H83776   | 2F14 | 3   | 110-21 | H84867   | 2G11 | 22  | 120-7  | H85485   | 2E6  | 10  | 90-25  |
| H83786   | 2F18 | 30  | 110-25 | H84869   | 2G11 | 9   | 120-7  | H85492   | 2D14 | 8   | 90-8   |
| H83789   | 1E23 | 5   | 40-5   | H84884   | 2J3  | 15  | 130-1  | H85493   | 2D14 | 8   | 90-8   |
| H83790   | 1F20 | 2   | 40-29  | H84932   | 2H20 | 10  | 120-41 | H85494   | 2D14 | 9   | 90-8   |
| H83791   | 1F20 | 3   | 40-29  | H84935   | 2G18 | 36  | 120-14 | H85496   | 2D14 | 7   | 90-8   |

## NUMERICAL INDEX - CONTINUED

| PART NO. | GRID | KEY | PAGE   | PART NO. | GRID | KEY | PAGE   | PART NO. | GRID | KEY | PAGE   |
|----------|------|-----|--------|----------|------|-----|--------|----------|------|-----|--------|
| H85497   | 2D14 | 7   | 90-8   | H85862   | 2G19 | 9   | 120-15 | H86390   | 2E5  | 9   | 90-24  |
| H85498   | 2D15 | 24  | 90-9   | H85863   | 2G20 | 16  | 120-16 | H86391   | 2E5  | 7   | 90-24  |
| H85504   | 2I1  | 2   | 120-48 | H85894   | 2F8  | 2   | 110-15 | H86401   | 1C15 | 2   | 20-47  |
| H85505   | 2I1  | 17  | 120-48 | H85903   | 2G14 | 11  | 120-10 | H86484   | 2J12 | 17  | 130-10 |
| H85559   | 2J17 | 3   | 130-15 | H85904   | 2G15 | 26  | 120-11 | H86493   | 2C21 | 10  | 80-8   |
| H85559   | 2J17 | 8   | 130-15 | H85912   | 2F24 | 4   | 110-31 | H86509   | 2C21 | 3   | 80-8   |
| H85568   | 1I5  | 7   | 50-28  | H85935   | 2E23 | 21  | 110-4  | H86514   | 1C18 | 14  | 20-50  |
| H85579   | 2G20 | 3   | 120-16 | H85936   | 2E23 | 20  | 110-4  | H86523   | 2C21 | 22  | 80-8   |
| H85580   | 2G19 | 12  | 120-15 | H85940   | 2J18 | 1   | 130-16 | H86583   | 2D11 | 13  | 90-5   |
| H85583   | 2J16 | 12  | 130-14 | H85953   | 1H24 | 4   | 50-22  | H86603   | 2J3  | 3   | 130-1  |
| H85584   | 2J16 | 11  | 130-14 | H85953   | 1H25 | 5   | 50-23  | H86611   | 1F20 | 8   | 40-29  |
| H85585   | 2J16 | 2   | 130-14 | H85959   | 1H24 | 9   | 50-22  | H86646   | 2F16 | 2   | 110-23 |
| H85586   | 2B13 | 4   | 70-19  | H85979   | 2I18 | 24  | 120-67 | H86646   | 2H18 | 30  | 120-39 |
| H85587   | 2B13 | 5   | 70-19  | H86019   | 2J13 | 1   | 130-11 | H86653   | 2J4  | 19  | 130-2  |
| H85588   | 2J6  | 2   | 130-4  | H86021   | 2F21 | 15  | 110-28 | H86667   | 2G20 | 18  | 120-16 |
| H85597   | 2J9  | 13  | 130-7  | H86029   | 1F23 | 14  | 40-32  | H86687   | 2D11 | 21  | 90-5   |
| H85601   | 2J9  | 20  | 130-7  | H86039   | 2G24 | 30  | 120-21 | H86688   | 2C21 | 23  | 80-8   |
| H85603   | 2J9  | 17  | 130-7  | H86039   | 2H2  | 29  | 120-23 | H86689   | 2C21 | 17  | 80-8   |
| H85604   | 2J9  | 19  | 130-7  | H86039   | 3B3  | 2   | 170-12 | H86757   | 2E5  | 3   | 90-24  |
| H85605   | 2J9  | 6   | 130-7  | H86040   | 2H3  | 5   | 120-24 | H86759   | 2I14 | 17  | 120-62 |
| H85606   | 2J9  | 12  | 130-7  | H86046   | 2J8  | 3   | 130-6  | H86759   | 2I22 | 16  | 120-71 |
| H85607   | 2J9  | 1   | 130-7  | H86049   | 2J7  | 10  | 130-5  | H86761   | 2I14 | 17  | 120-62 |
| H85608   | 2J9  | 14  | 130-7  | H86052   | 2J7  | 7   | 130-5  | H86761   | 2I22 | 16  | 120-71 |
| H85609   | 2J9  | 5   | 130-7  | H86056   | 1E23 | 21  | 40-5   | H86767   | 2I4  | 6   | 120-51 |
| H85610   | 2J9  | 16  | 130-7  | H86062   | 2G20 | 23  | 120-16 | H86768   | 2I4  | 7   | 120-51 |
| H85619   | 2J9  | 7   | 130-7  | H86082   | 2G19 | 14  | 120-15 | H86772   | 1C14 | 7   | 20-46  |
| H85620   | 2J9  | 9   | 130-7  | H86083   | 2J12 | 26  | 130-10 | H86772   | 1C15 | 3   | 20-47  |
| H85621   | 2J9  | 10  | 130-7  | H86092   | 2F18 | 12  | 110-25 | H86776   | 1C18 | 2   | 20-50  |
| H85622   | 2J9  | 8   | 130-7  | H86108   | 1C19 | 2   | 20-51  | H86819   | 2C23 | 21  | 80-10  |
| H85623   | 2J7  | 9   | 130-5  | H86108   | 1D5  | 5   | 30-9   | H86839   | 1C17 | 5   | 20-49  |
| H85625   | 2J7  | 8   | 130-5  | H86115   | 2C22 | 7   | 80-9   | H86839   | 1C18 | 5   | 20-50  |
| H85625   | 2J8  | 4   | 130-6  | H86138   | 1E24 | 5   | 40-7   | H86847   | 2C23 | 4   | 80-10  |
| H85626   | 2J7  | 6   | 130-5  | H86139   | 1E24 | 10  | 40-7   | H86864   | 2J3  | 16  | 130-1  |
| H85629   | 2J9  | 2   | 130-7  | H86143   | 1H24 | 11  | 50-22  | H86870   | 1I16 | 20  | 60-10  |
| H85630   | 2J9  | 18  | 130-7  | H86160   | 1H4  | 2   | 50-2   | H86876   | 1I16 | 18  | 60-10  |
| H85631   | 2J20 | 9   | 130-18 | H86161   | 1H4  | 2   | 50-2   | H86886   | 1C17 | 15  | 20-49  |
| H85632   | 2J7  | 2   | 130-5  | H86162   | 1H4  | 2   | 50-2   | H86886   | 1C18 | 11  | 20-50  |
| H85633   | 2J7  | 3   | 130-5  | H86164   | 1H4  | 2   | 50-2   | H86902   | 1H17 | 7   | 50-15  |
| H85636   | 2J7  | 11  | 130-5  | H86170   | 2B4  | 15  | 70-9   | H86912   | 2I19 | 13  | 120-68 |
| H85637   | 2B14 | 8   | 70-20  | H86204   | 2C15 | 14  | 80-2   | H86913   | 2I19 | 18  | 120-68 |
| H85638   | 2J14 | 3   | 130-12 | H86204   | 2C16 | 16  | 80-3   | H86914   | 2I19 | 8   | 120-68 |
| H85641   | 2J14 | 2   | 130-12 | H86244   | 1E17 | 7   | 30-46  | H86918   | 1C11 | 13  | 20-43  |
| H85644   | 2J20 | 7   | 130-18 | H86254   | 1I24 | 1   | 60-18  | H86990   | 2D1  | 5   | 80-13  |
| H85646   | 2J7  | 4   | 130-5  | H86254   | 1I25 | 4   | 60-19  | H87019   | 2I20 | 13  | 120-69 |
| H85651   | 2F24 | 2   | 110-31 | H86259   | 1C11 | 15  | 20-43  | H87073   | 2I17 | 7   | 120-65 |
| H85652   | 2F21 | 2   | 110-28 | H86259   | 3A22 | 2   | 170-5  | H87092   | 2E13 | 6   | 90-33  |
| H85652   | 2F23 | 1   | 110-30 | H86260   | 1C12 | 10  | 20-44  | H87101   | 2E11 | 12  | 90-30  |
| H85782   | 2E1  | 8   | 90-20  | H86260   | 3A21 | 8   | 170-3  | H87114   | 2E11 | 6   | 90-30  |
| H85783   | 2I3  | 7   | 120-50 | H86262   | 1C12 | 6   | 20-44  | H87115   | 2E11 | 9   | 90-30  |
| H85783   | 2J12 | 4   | 130-10 | H86262   | 1C12 | 10  | 20-44  | H87115   | 2E12 | 5   | 90-31  |
| H85794   | 2B15 | 6   | 70-21  | H86262   | 3A21 | 7   | 170-3  | H87116   | 2E11 | 4   | 90-30  |
| H85795   | 2B15 | 12  | 70-21  | H86262   | 3A21 | 8   | 170-3  | H87117   | 2E15 | 7   | 90-35  |
| H85796   | 2B15 | 15  | 70-21  | H86263   | 1C12 | 7   | 20-44  | H87132   | 2G11 | 29  | 120-7  |
| H85797   | 2B15 | 16  | 70-21  | H86264   | 1C17 | 10  | 20-49  | H87132   | 2G14 | 3   | 120-10 |
| H85798   | 2B15 | 22  | 70-21  | H86265   | 1C18 | 10  | 20-50  | H87132   | 2G15 | ..  | 120-11 |
| H85800   | 2B15 | 11  | 70-21  | H86271   | 1C16 | 8   | 20-48  | H87165   | 1H20 | 7   | 50-18  |
| H85801   | 2B15 | 27  | 70-21  | H86271   | 3A21 | 6   | 170-3  | H87275   | 1H20 | 7   | 50-18  |
| H85803   | 2B15 | 4   | 70-21  | H86275   | 3A21 | 4   | 170-3  | H87279   | 1C14 | 21  | 20-46  |
| H85806   | 2B15 | 24  | 70-21  | H86275   | 3A21 | 9   | 170-3  | H87279   | 1C15 | 9   | 20-47  |
| H85807   | 2B15 | 29  | 70-21  | H86280   | 1C13 | 12  | 20-45  | H87322   | 1E16 | 7   | 30-45  |
| H85835   | 1F11 | 6   | 40-19  | H86316   | 2C23 | 15  | 80-10  | H87445   | 1H12 | 13  | 50-10  |
| H85845   | 1I5  | 8   | 50-28  | H86321   | 2C23 | 11  | 80-10  | H87453   | 2C23 | 12  | 80-10  |
| H85857   | 2G19 | 7   | 120-15 | H86326   | 2C23 | 2   | 80-10  | H87454   | 2C23 | 22  | 80-10  |
| H85857   | 2G20 | 6   | 120-16 | H86328   | 2C23 | 3   | 80-10  | H87455   | 2J24 | 7   | 140-2  |
| H85858   | 2G20 | 12  | 120-16 | H86339   | 2C22 | 14  | 80-9   | H87457   | 3B17 | ..  | 170-28 |
| H85859   | 2G1  | 23  | 110-33 | H86347   | 2C24 | 9   | 80-11  | H87458   | 3B17 | ..  | 170-28 |
| H85860   | 2G20 | 28  | 120-16 | H86349   | 2C24 | 10  | 80-11  | H87467   | 1D4  | 1   | 30-8   |

**NUMERICAL INDEX - CONTINUED**

| PART NO. | GRID | KEY | PAGE   | PART NO. | GRID | KEY | PAGE   | PART NO. | GRID | KEY | PAGE   |
|----------|------|-----|--------|----------|------|-----|--------|----------|------|-----|--------|
| H87468   | 1I1  | 1   | 50-24  | H88910   | 1I8  | 1   | 60-1   | H91788   | 1C17 | 7   | 20-49  |
| H87472   | 2H6  | 14  | 120-27 | H88915   | 1E21 | 21  | 40-3   | H91788   | 1C18 | 7   | 20-50  |
| H87472   | 2H7  | 8   | 120-28 | H88921   | 1E20 | 11  | 40-2   | H91792   | 1F17 | 23  | 40-26  |
| H87472   | 2H25 | 3   | 120-47 | H88949   | 1D3  | 3   | 30-7   | H91792   | 2D22 | 15  | 90-16  |
| H87472   | 2I1  | 6   | 120-48 | H88984   | 2K12 | 4   | 160-8  | H91808   | 1H20 | 6   | 50-18  |
| H87472   | 2I12 | 3   | 120-60 | H88985   | 2K12 | 6   | 160-8  | H91811   | 2B3  | 32  | 70-8   |
| H87472   | 2I12 | 11  | 120-60 | H89012   | 2D25 | 24  | 90-19  | H92012   | 1C11 | 25  | 20-43  |
| H87472   | 2I14 | 3   | 120-62 | H89033   | 2G18 | 31  | 120-14 | H92017   | 2C22 | 15  | 80-9   |
| H87472   | 2I20 | 3   | 120-69 | H89034   | 2G18 | 30  | 120-14 | H92017   | 2D16 | 3   | 90-10  |
| H87472   | 2I20 | 11  | 120-69 | H89035   | 2B4  | 17  | 70-9   | H92017   | 2D16 | 4   | 90-10  |
| H87472   | 2I22 | 5   | 120-71 | H89035   | 2B5  | 14  | 70-10  | H92017   | 2D16 | 10  | 90-10  |
| H87472   | 2K1  | 18  | 140-4  | H89035   | 2G17 | 14  | 120-13 | H92017   | 2D16 | 11  | 90-10  |
| H87647   | 2J4  | 5   | 130-2  | H89244   | 2H18 | 27  | 120-39 | H92017   | 2D16 | 14  | 90-10  |
| H87649   | 2I18 | 8   | 120-67 | H89266   | 1F3  | 16  | 40-10  | H92017   | 2D16 | 16  | 90-10  |
| H87661   | 2C21 | 27  | 80-8   | H89266   | 2D22 | 1   | 90-16  | H92017   | 2D16 | 17  | 90-10  |
| H87663   | 1C14 | 15B | 20-46  | H89266   | 2D25 | 25  | 90-19  | H92017   | 2D16 | 22  | 90-10  |
| H87725   | 2E21 | 12  | 110-1  | H89266   | 2J1  | 5   | 120-75 | H92017   | 2D16 | 23  | 90-10  |
| H87761   | 2E24 | 24  | 110-5  | H89266   | 2K15 | 4   | 160-11 | H92017   | 2D16 | 24  | 90-10  |
| H87762   | 2E23 | 14  | 110-4  | H89272   | 1H3  | 30  | 50-1   | H92056   | 1C16 | 5   | 20-48  |
| H87781   | 1I20 | 4   | 60-14  | H89303   | 1I4  | 2   | 50-27  | H92074   | 2A21 | 33  | 70-2   |
| H87781   | 2B3  | 7   | 70-8   | H89312   | 2C21 | 13  | 80-8   | H92075   | 2A21 | 13  | 70-2   |
| H87782   | 2B3  | 31  | 70-8   | H89313   | 2C21 | 12  | 80-8   | H92310   | 2D19 | 12  | 90-13  |
| H87783   | 2B3  | 30  | 70-8   | H89329   | 2K6  | 3   | 160-2  | H92311   | 2D19 | 15  | 90-13  |
| H87784   | 1C12 | 16  | 20-44  | H89331   | 2K11 | 6   | 160-7  | H92315   | 2D21 | 2   | 90-15  |
| H88055   | 2F14 | 3   | 110-21 | H89335   | 2K11 | 10  | 160-7  | H92382   | 2G21 | 4   | 120-17 |
| H88056   | 2F14 | 9   | 110-21 | H89336   | 2K7  | 8   | 160-3  | H92386   | 2I11 | 8   | 120-59 |
| H88057   | 2F14 | 9   | 110-21 | H89337   | 2K6  | 1   | 160-2  | H92418   | 2G21 | 5   | 120-17 |
| H88190   | 2C21 | 28  | 80-8   | H89337   | 2K6  | 3   | 160-2  | H92599   | 1C14 | 1   | 20-46  |
| H88237   | 2C8  | 19  | 70-42  | H89338   | 2K7  | 7   | 160-3  | H92700   | 1I2  | 5   | 50-25  |
| H88242   | 2F13 | 9   | 110-20 | H89339   | 2K10 | 4   | 160-6  | H92726   | 1C14 | 3   | 20-46  |
| H88317   | 1F17 | 22  | 40-26  | H89340   | 2K6  | 2   | 160-2  | H92849   | 1C14 | 9   | 20-46  |
| H88355   | 1C17 | 13  | 20-49  | H89360   | 2E24 | 26  | 110-5  | H92918   | 2G7  | 31  | 120-3  |
| H88355   | 1C18 | 15  | 20-50  | H89433   | 2F16 | 8   | 110-23 | H92919   | 2G7  | 32  | 120-3  |
| H88374   | 2B3  | 22  | 70-8   | H89510   | 1H12 | 16  | 50-10  | H92931   | 2G7  | 20  | 120-3  |
| H88393   | 2K9  | 2   | 160-5  | H89510   | 1H13 | 7   | 50-11  | H92938   | 2C15 | 5   | 80-2   |
| H88441   | 2A22 | 2   | 70-3   | H89514   | 2K12 | 9   | 160-8  | H92939   | 2C16 | 10  | 80-3   |
| H88457   | 1C13 | 8   | 20-45  | H89515   | 2K12 | 10  | 160-8  | H93166   | 2E25 | 15  | 110-6  |
| H88458   | 1C13 | 3   | 20-45  | H89522   | 2K12 | 13  | 160-8  | H93166   | 2F1  | 15  | 110-7  |
| H88575   | 2J12 | 3   | 130-10 | H89525   | 2H6  | 5   | 120-27 | H93170   | 2E25 | 10  | 110-6  |
| H88578   | 2E3  | 4   | 90-22  | H89569   | 2J3  | 20  | 130-1  | H93170   | 2F1  | 10  | 110-7  |
| H88767   | 2F4  | 3   | 110-11 | H89619   | 2G16 | 5   | 120-12 | H93310   | 1C15 | 20  | 20-47  |
| H88767   | 2F5  | 2   | 110-12 | H89620   | 2G16 | 8   | 120-12 | H93362   | 1F12 | 14A | 40-20  |
| H88769   | 2D1  | 1   | 80-13  | H89649   | 2G7  | 19  | 120-3  | H93421   | 2D4  | 3   | 80-16  |
| H88769   | 2D1  | 9   | 80-13  | H89657   | 2F12 | 4   | 110-19 | H93462   | 2I23 | 13  | 120-72 |
| H88769   | 2D1  | 10  | 80-13  | H89657   | 3B17 | ..  | 170-28 | H93556   | 2E23 | 12  | 110-4  |
| H88769   | 2D1  | 11  | 80-13  | H89659   | 1D5  | 3   | 30-9   | H93557   | 2J24 | 14  | 140-2  |
| H88769   | 2D22 | 19  | 90-16  | H89712   | 1F9  | 8   | 40-17  | H93579   | 2D16 | 15  | 90-10  |
| H88769   | 2E3  | 2   | 90-22  | H89713   | 1F9  | 1   | 40-17  | H93580   | 2H5  | 9   | 120-26 |
| H88770   | 2D1  | 4   | 80-13  | H89720   | 1F20 | ..  | 40-29  | H93619   | 1G5  | 1   | 40-38  |
| H88770   | 2D15 | 29  | 90-9   | H89768   | 2K10 | 11  | 160-6  | H93619   | 3A21 | 12  | 170-3  |
| H88771   | 2D1  | 8   | 80-13  | H89769   | 2K11 | 7   | 160-7  | H93681   | 1H18 | 1   | 50-16  |
| H88771   | 2D13 | ..  | 90-7   | H89772   | 1J1  | 16  | 60-20  | H93681   | 1H19 | 13  | 50-17  |
| H88773   | 2D1  | 2   | 80-13  | H89774   | 1H9  | 8   | 50-7   | H93736   | 2F18 | 22  | 110-25 |
| H88779   | 2E3  | 6   | 90-22  | H89842   | 1F20 | 12  | 40-29  | H93799   | 1J3  | 1   | 60-22  |
| H88783   | 2H17 | 4   | 120-38 | H89870   | 2K12 | 11  | 160-8  | H93809   | 1H3  | 2   | 50-1   |
| H88797   | 2H12 | 12  | 120-33 | H89949   | 2K7  | 1   | 160-3  | H93819   | 2D16 | 2   | 90-10  |
| H88801   | 2H16 | 8   | 120-37 | H89984   | 3B14 | 9   | 170-25 | H93849   | 1J3  | 2   | 60-22  |
| H88802   | 2H9  | 15  | 120-30 | H89992   | 1J3  | 12  | 60-22  | H93927   | 2F19 | 9   | 110-26 |
| H88816   | 2H16 | 13  | 120-37 | H91228   | 2H22 | 10  | 120-43 | H93927   | 2F20 | 12  | 110-27 |
| H88820   | 2H12 | 8   | 120-33 | H91272   | 1F15 | 5   | 40-24  | H94114   | 2H18 | 5   | 120-39 |
| H88842   | 2D4  | 1   | 80-16  | H91273   | 1F15 | 1   | 40-24  | H94149   | 2D16 | 20  | 90-10  |
| H88842   | 2D4  | 2   | 80-16  | H91298   | 2E15 | 14  | 90-35  | H94167   | 2H24 | 14  | 120-45 |
| H88842   | 2D4  | ..  | 80-16  | H91298   | 2E17 | 19  | 90-37  | H94168   | 2F18 | 9   | 110-25 |
| H88849   | 2D25 | 2   | 90-19  | H91338   | 2D22 | 7   | 90-16  | H94170   | 2G11 | 27  | 120-7  |
| H88857   | 1F12 | 10  | 40-20  | H91710   | 1C8  | 10  | 20-40  | H94190   | 2B11 | 1   | 70-17  |
| H88857   | 1F13 | 10  | 40-21  | H91710   | 2D11 | 22  | 90-5   | H94190   | 2B22 | 6   | 70-31  |
| H88890   | 2E17 | 14  | 90-37  | H91788   | 1C13 | 13  | 20-45  | H94190   | 2C5  | 6   | 70-39  |

**NUMERICAL INDEX - CONTINUED**

| PART NO. | GRID | KEY | PAGE   | PART NO. | GRID | KEY | PAGE   | PART NO. | GRID | KEY | PAGE   |
|----------|------|-----|--------|----------|------|-----|--------|----------|------|-----|--------|
| H94190   | 2C9  | 8   | 70-43  | H96455   | 2G17 | 7   | 120-13 | H99260   | 2D15 | 31  | 90-9   |
| H94197   | 2J12 | 32  | 130-10 | H96509   | 1C12 | 13  | 20-44  | H99264   | 1I9  | 3   | 60-2   |
| H94232   | 2G21 | 3   | 120-17 | H96509   | 1C12 | 14  | 20-44  | H99266   | 2J1  | 4   | 120-75 |
| H94255   | 1B10 | 11  | 20-17  | H96509   | 3A22 | 3   | 170-5  | H99267   | 2B16 | 13  | 70-22  |
| H94255   | 1B11 | 11  | 20-18  | H96848   | 2J24 | 22  | 140-2  | H99267   | 2J11 | 3   | 130-9  |
| H94267   | 1I8  | 2   | 60-1   | H96848   | 3A24 | 15  | 170-7  | H99268   | 2B16 | 3   | 70-22  |
| H94304   | 2G16 | 18  | 120-12 | H96870   | 2E4  | 10  | 90-23  | H99269   | 1I1  | 2   | 50-24  |
| H94321   | 1H22 | 14  | 50-20  | H96911   | 2B4  | 9   | 70-9   | H99271   | 1I9  | 5   | 60-2   |
| H94322   | 1H23 | 6   | 50-21  | H96941   | 2G14 | 4   | 120-10 | H99272   | 1I9  | 1   | 60-2   |
| H94323   | 1H22 | 1   | 50-20  | H96941   | 2G15 | ..  | 120-11 | H99273   | 1I16 | 23  | 60-10  |
| H94324   | 1H23 | 10  | 50-21  | H96996   | 2J24 | 19  | 140-2  | H99274   | 1I16 | 1   | 60-10  |
| H94343   | 1H6  | 8   | 50-4   | H97103   | 1C11 | 26  | 20-43  | H99275   | 1I16 | 2   | 60-10  |
| H94349   | 3B17 | ..  | 170-28 | H97175   | 1C11 | 21  | 20-43  | H99275   | 1I16 | 22  | 60-10  |
| H94373   | 1C16 | 8   | 20-48  | H97303   | 1F18 | 6   | 40-27  | H99276   | 1I16 | 3   | 60-10  |
| H94373   | 3A21 | 6   | 170-3  | H97311   | 2J24 | 20  | 140-2  | H99277   | 1I16 | 5   | 60-10  |
| H94395   | 2G19 | 2   | 120-15 | H97311   | 3B2  | 13  | 170-11 | H99278   | 2D22 | 8   | 90-16  |
| H94396   | 2G20 | 13  | 120-16 | H97322   | 2F7  | 13  | 110-14 | H99280   | 2B25 | 10  | 70-34  |
| H94435   | 2G14 | 12  | 120-10 | H97345   | 2J15 | 19  | 130-13 | H99281   | 2B5  | 12  | 70-10  |
| H94555   | 1H9  | 9   | 50-7   | H97355   | 1C11 | 5   | 20-43  | H99282   | 1F3  | 13  | 40-10  |
| H94562   | 1C13 | 15  | 20-45  | H97395   | 2J15 | 1   | 130-13 | H99282   | 2D15 | 32  | 90-9   |
| H94605   | 2C21 | 21  | 80-8   | H97481   | 3A24 | 4   | 170-7  | H99283   | 2B7  | 25  | 70-12  |
| H94623   | 2K12 | 1   | 160-8  | H97542   | 2I2  | 25  | 120-49 | H99283   | 2B8  | 23  | 70-13  |
| H94638   | 1I8  | 3   | 60-1   | H97542   | 2I20 | 18  | 120-69 | H99284   | 2D22 | 20  | 90-16  |
| H94640   | 1I8  | 19  | 60-1   | H97615   | 2F8  | 1   | 110-15 | H99297   | 2C18 | 5   | 80-5   |
| H94669   | 2H5  | 3   | 120-26 | H97615   | 2F8  | 2   | 110-15 | H99297   | 2C18 | 14  | 80-5   |
| H94702   | 2I19 | 19  | 120-68 | H97683   | 2I6  | 2   | 120-54 | H99315   | 3B17 | ..  | 170-28 |
| H94703   | 2I19 | 4   | 120-68 | H97703   | 2I9  | 3   | 120-57 | H99316   | 2D17 | 7   | 90-11  |
| H94705   | 1C12 | 13  | 20-44  | H97703   | 3B5  | 6   | 170-15 | H99527   | 2C22 | 17  | 80-9   |
| H94783   | 2G17 | 9   | 120-13 | H97745   | 2E15 | 11  | 90-35  | H99639   | 2F15 | 6   | 110-22 |
| H94800   | 1H18 | 1   | 50-16  | H97762   | 3B17 | ..  | 170-28 | H99825   | 1I10 | 6   | 60-3   |
| H94810   | 1H9  | 4   | 50-7   | H97780   | 2I6  | 1   | 120-54 | H99878   | 2E25 | 18  | 110-6  |
| H94811   | 1H9  | 5   | 50-7   | H97782   | 2I18 | 23  | 120-67 | H99878   | 2F1  | 18  | 110-7  |
| H94812   | 1H9  | 12  | 50-7   | H97783   | 2I18 | 3   | 120-67 | H99897   | 1C22 | 20  | 30-1   |
| H94813   | 1H9  | 14  | 50-7   | H97813   | 1F11 | 5   | 40-19  | H99923   | 1J2  | 10  | 60-21  |
| H94856   | 1F4  | 6   | 40-11  | H97814   | 2E2  | 1   | 90-21  | H99923   | 2B9  | 26  | 70-15  |
| H94883   | 1H17 | 5   | 50-15  | H97815   | 2E4  | 6   | 90-23  | H99923   | 2G9  | 21  | 120-5  |
| H94885   | 1H18 | 16  | 50-16  | H97824   | 2G11 | 7   | 120-7  | H99923   | 2G9  | 26  | 120-5  |
| H94885   | 1H19 | 16  | 50-17  | H98032   | 2E25 | 9   | 110-6  | H99923   | 2H6  | 1   | 120-27 |
| H95027   | 1H17 | 10  | 50-15  | H98032   | 2F1  | 9   | 110-7  | H99923   | 2H24 | 8   | 120-45 |
| H95041   | 2C8  | 2   | 70-42  | H98042   | 2F5  | 14  | 110-12 | H99923   | 2I1  | 22  | 120-48 |
| H95041   | 2C8  | 21  | 70-42  | H98043   | 2F5  | 5   | 110-12 | H99923   | 2I3  | 4   | 120-50 |
| H95042   | 2C8  | 3   | 70-42  | H98108   | 2D22 | 14  | 90-16  | H99923   | 2J18 | 5   | 130-16 |
| H95042   | 2C8  | 14  | 70-42  | H98110   | 2D22 | 4   | 90-16  | H99923   | 2J18 | 13  | 130-16 |
| H95042   | 2C8  | 20  | 70-42  | H98190   | 1I11 | 20  | 60-4   | H99936   | 2C23 | 8   | 80-10  |
| H95044   | 2D11 | 10  | 90-5   | H98221   | 2H7  | 1   | 120-28 | H99937   | 2C21 | 20  | 80-8   |
| H95212   | 2D13 | 9   | 90-7   | H98221   | 2H19 | 14  | 120-40 | JD1298   | 1J3  | 6   | 60-22  |
| H95324   | 1C11 | 24  | 20-43  | H98222   | 2H19 | 11  | 120-40 | JD134    | 1E23 | 1   | 40-5   |
| H95361   | 1I16 | 21  | 60-10  | H98237   | 1I16 | 26  | 60-10  | JD16     | 1J3  | 5   | 60-22  |
| H95450   | 2F16 | 16  | 110-23 | H98332   | 2F9  | 8   | 110-16 | JD3227   | 1J3  | 6   | 60-22  |
| H95464   | 2F11 | 6   | 110-18 | H98364   | 1H15 | 2   | 50-13  | JD5255   | 3B14 | 17  | 170-25 |
| H95481   | 1F2  | 8   | 40-9   | H98424   | 2J1  | 36  | 120-75 | JD5401   | 3B16 | 5   | 170-27 |
| H95507   | 1C11 | 14  | 20-43  | H98655   | 2H18 | 15  | 120-39 | JD5591   | 3B16 | 4   | 170-27 |
| H95783   | 2F18 | 3   | 110-25 | H98955   | 2G24 | 15  | 120-21 | JD7207   | 1H13 | 2   | 50-11  |
| H95783   | 2F18 | 5   | 110-25 | H98955   | 2H2  | 13  | 120-23 | JD7378   | 1H18 | 11  | 50-16  |
| H95783   | 2F18 | 16  | 110-25 | H98972   | 1E14 | 6   | 30-43  | JD7378   | 1H19 | 11  | 50-17  |
| H95783   | 2F22 | 13  | 110-29 | H99086   | 2C8  | 15  | 70-42  | JD7409   | 1H13 | 1   | 50-11  |
| H95783   | 2F23 | 15  | 110-30 | H99087   | 2F12 | 7   | 110-19 | JD7424   | 1H14 | 2   | 50-12  |
| H95784   | 2F23 | 14  | 110-30 | H99114   | 2F12 | 12  | 110-19 | JD7425   | 1H15 | 8   | 50-13  |
| H95856   | 2F22 | 12  | 110-29 | H99234   | 1C22 | 18  | 30-1   | JD7449   | 1H12 | 3   | 50-10  |
| H95857   | 2F18 | 15  | 110-25 | H99236   | 2D22 | 2   | 90-16  | JD7449   | 1H13 | 5   | 50-11  |
| H96250   | 2H22 | 13  | 120-43 | H99237   | 2D22 | 2   | 90-16  | JD7449   | 1I4  | 13  | 50-27  |
| H96251   | 1C17 | 9   | 20-49  | H99238   | 2B5  | 7   | 70-10  | JD7451   | 2I24 | 6   | 120-73 |
| H96251   | 1C18 | 9   | 20-50  | H99239   | 2D22 | 12  | 90-16  | JD7681   | 2I19 | 9   | 120-68 |
| H96259   | 2J10 | 1   | 130-8  | H99258   | 2D17 | 4   | 90-11  | JD7689   | 2I19 | 11  | 120-68 |
| H96344   | 1C11 | 1   | 20-43  | H99258   | 2D18 | 7   | 90-12  | JD7759   | 1H22 | 15  | 50-20  |
| H96424   | 1C17 | 3   | 20-49  | H99259   | 2D17 | 8   | 90-11  | JD7759   | 1I4  | 23  | 50-27  |
| H96424   | 1C18 | 1   | 20-50  | H99259   | 2D18 | 3   | 90-12  | JD7759   | 1J1  | 18  | 60-20  |



**NUMERICAL INDEX - CONTINUED**

| PART NO. | GRID | KEY | PAGE   | PART NO. | GRID | KEY | PAGE   | PART NO. | GRID | KEY | PAGE   |
|----------|------|-----|--------|----------|------|-----|--------|----------|------|-----|--------|
| JD7759   | 2I19 | 21  | 120-68 | JD8544   | 2H2  | 17  | 120-23 | JD9241   | 2J25 | 11  | 140-3  |
| JD7759   | 2I24 | 8   | 120-73 | JD8544   | 2J15 | 24  | 130-13 | JD9246   | 1C12 | 2   | 20-44  |
| JD7768   | 2I2  | 28  | 120-49 | JD8545   | 2F18 | 8   | 110-25 | JD9257   | 1C6  | 7   | 20-38  |
| JD7788   | 2D9  | 8   | 90-3   | JD8545   | 2F18 | 24  | 110-25 | JD9273   | 2H25 | 4   | 120-47 |
| JD7788   | 2G19 | 8   | 120-15 | JD8545   | 2G24 | 21  | 120-21 | JD9273   | 2I18 | 20  | 120-67 |
| JD7788   | 2G19 | 15  | 120-15 | JD8545   | 2H2  | 19  | 120-23 | JD9273   | 2J12 | 33  | 130-10 |
| JD7788   | 2J1  | 12  | 120-75 | JD8545   | 2J15 | 22  | 130-13 | JD9275   | 2H19 | 4   | 120-40 |
| JD7788   | 2J12 | 29  | 130-10 | JD8551   | 1C12 | 5   | 20-44  | JD9276   | 2G9  | 18  | 120-5  |
| JD7788   | 2J24 | 28  | 140-2  | JD8554   | 2F7  | 9   | 110-14 | JD9276   | 2G13 | 18  | 120-9  |
| JD7788   | 2J25 | 24  | 140-3  | JD8554   | 2H6  | 13  | 120-27 | JD9294   | 1C16 | 4   | 20-48  |
| JD7797   | 1H21 | 6   | 50-19  | JD8554   | 2H7  | 10  | 120-28 | JD9301   | 1H23 | 11  | 50-21  |
| JD7797   | 1I4  | 1   | 50-27  | JD8554   | 2H25 | 2   | 120-47 | JD9301   | 2F21 | 14  | 110-28 |
| JD7797   | 2D15 | 30  | 90-9   | JD8554   | 2I1  | 9   | 120-48 | JD9301   | 2F23 | 12  | 110-30 |
| JD7797   | 2F13 | 13  | 110-20 | JD8554   | 2I8  | 6   | 120-56 | JD9339   | 2J24 | 8   | 140-2  |
| JD7797   | 2F18 | 25  | 110-25 | JD8554   | 2I9  | 11  | 120-57 | JD9373   | 2F18 | 8   | 110-25 |
| JD7797   | 2F21 | 1   | 110-28 | JD8554   | 2I12 | 2   | 120-60 | JD9399   | 2G15 | 10  | 120-11 |
| JD7797   | 2G18 | 35  | 120-14 | JD8554   | 2I14 | 2   | 120-62 | JD9399   | 2J25 | 2   | 140-3  |
| JD7797   | 2G20 | 8   | 120-16 | JD8554   | 2I15 | 5   | 120-63 | JD9404   | 2J23 | 5   | 140-1  |
| JD7797   | 2G21 | 2   | 120-17 | JD8554   | 2I18 | 22  | 120-67 | JD9406   | 2F21 | 3   | 110-28 |
| JD7797   | 2G22 | 18  | 120-19 | JD8554   | 2I20 | 2   | 120-69 | JD9406   | 2F23 | 2   | 110-30 |
| JD7797   | 2H3  | 1   | 120-24 | JD8554   | 2I22 | 4   | 120-71 | JD9434   | 2G9  | 18  | 120-5  |
| JD7797   | 2I2  | 27  | 120-49 | JD8554   | 2J12 | 15  | 130-10 | JD9434   | 2G13 | 18  | 120-9  |
| JD7797   | 2I20 | 27  | 120-69 | JD8554   | 2J20 | 15  | 130-18 | JD9436   | 1H22 | 2   | 50-20  |
| JD7797   | 2J1  | 35  | 120-75 | JD8554   | 2J21 | 5   | 130-19 | JD9442   | 2H22 | 15  | 120-43 |
| JD7797   | 2J15 | 7   | 130-13 | JD8554   | 2K1  | 17  | 140-4  | JD9450   | 2J25 | 15  | 140-3  |
| JD7797   | 2J24 | 11  | 140-2  | JD8562   | 2H22 | 5   | 120-43 | JD9878   | 2F21 | 12  | 110-28 |
| JD7797   | 2J25 | 16  | 140-3  | JD8563   | 2H22 | 8   | 120-43 | JD9878   | 2F23 | 18  | 110-30 |
| JD7798   | 2I9  | 5   | 120-57 | JD8576   | 2H19 | 2   | 120-40 | J13683   | 2H18 | 20  | 120-39 |
| JD7798   | 2K1  | 7   | 140-4  | JD8579   | 2J24 | 10  | 140-2  | J16931   | 1I11 | 10  | 60-4   |
| JD7806   | 1H3  | 29  | 50-1   | JD8597   | 2I15 | 6   | 120-63 | J16931   | 2D17 | 11  | 90-11  |
| JD7806   | 1I5  | 9   | 50-28  | JD8662   | 2H18 | 21  | 120-39 | J16931   | 2F12 | 14  | 110-19 |
| JD7806   | 1I9  | 10  | 60-2   | JD8665   | 2F7  | 5   | 110-14 | J16931   | 2I22 | 9   | 120-71 |
| JD7806   | 1I24 | 4   | 60-18  | JD8665   | 2H6  | 15  | 120-27 | J16931   | 2J1  | 23  | 120-75 |
| JD7806   | 1I25 | 3   | 60-19  | JD8665   | 2H7  | 12  | 120-28 | J17823   | 2I19 | 10  | 120-68 |
| JD7806   | 2F12 | 8   | 110-19 | JD8665   | 2I1  | 7   | 120-48 | J21022   | 2I2  | 24  | 120-49 |
| JD7806   | 2F25 | 4   | 110-32 | JD8665   | 2I8  | 4   | 120-56 | J21022   | 2I20 | 17  | 120-69 |
| JD7806   | 2G1  | 21  | 110-33 | JD8665   | 2I9  | 12  | 120-57 | J4217H   | 3B2  | 20  | 170-11 |
| JD7806   | 2G9  | 11  | 120-5  | JD8665   | 2I12 | 4   | 120-60 | J4489H   | 2F18 | 28  | 110-25 |
| JD7806   | 2G13 | 11  | 120-9  | JD8665   | 2I14 | 4   | 120-62 | J4489H   | 2G18 | 29  | 120-14 |
| JD7806   | 2J24 | 6   | 140-2  | JD8665   | 2I20 | 4   | 120-69 | K40014   | 2G1  | 17  | 110-33 |
| JD7813   | 1I24 | 5   | 60-18  | JD8665   | 2I22 | 6   | 120-71 | K40014   | 2G19 | 1   | 120-15 |
| JD7813   | 1I25 | 6   | 60-19  | JD8665   | 2J12 | 9   | 130-10 | K40014   | 2G20 | 17  | 120-16 |
| JD7900   | 2I24 | 5   | 120-73 | JD8665   | 2J17 | 3   | 130-15 | L186T    | 1D6  | 9   | 30-10  |
| JD8100   | 1H14 | 3   | 50-12  | JD8665   | 2J17 | 4   | 130-15 | L186T    | 1D9  | 37  | 30-13  |
| JD8134   | 1H12 | 4   | 50-10  | JD8665   | 2J17 | 5B  | 130-15 | L1863N   | 1F11 | 1   | 40-19  |
| JD8134   | 1H13 | 4   | 50-11  | JD8665   | 2J17 | 8   | 130-15 | L2287C   | 2J21 | 3   | 130-19 |
| JD8134   | 1I4  | 12  | 50-27  | JD8665   | 2J20 | 18  | 130-18 | L364T    | 1I11 | 15  | 60-4   |
| JD8147   | 1H15 | 7   | 50-13  | JD8665   | 2J21 | 9   | 130-19 | L4694T   | 2G1  | 18  | 110-33 |
| JD8180   | 1H20 | 2   | 50-18  | JD8665   | 2K1  | 19  | 140-4  | M1112T   | 1B25 | 4   | 20-32  |
| JD8187   | 1J1  | 13  | 60-20  | JD8832   | 2J15 | 5   | 130-13 | M18105   | 2F18 | 29  | 110-25 |
| JD8187   | 2G18 | 7   | 120-14 | JD8841   | 2B15 | 13  | 70-21  | M1871T   | 1H6  | 2   | 50-4   |
| JD8187   | 2G22 | 7   | 120-19 | JD8841   | 2J15 | 9   | 130-13 | M19356   | 1B10 | 1   | 20-17  |
| JD8221   | 1H20 | 1   | 50-18  | JD8870   | 2B15 | 9   | 70-21  | M19356   | 1B11 | 1   | 20-18  |
| JD8225   | 1J1  | 14  | 60-20  | JD8902   | 1J1  | 8   | 60-20  | M2023T   | 2I17 | 1   | 120-65 |
| JD8225   | 2G18 | 6   | 120-14 | JD8988   | 1I4  | 18  | 50-27  | M2023T   | 2J18 | 7   | 130-16 |
| JD8225   | 2G22 | 6   | 120-19 | JD9018   | 1H18 | 4   | 50-16  | M226T    | 1I11 | 21  | 60-4   |
| JD8237   | 1J1  | 9   | 60-20  | JD9018   | 1H19 | 4   | 50-17  | M2300T   | 1I23 | 24  | 60-17  |
| JD8248   | 1H18 | 5   | 50-16  | JD9201   | 2F19 | 5   | 110-26 | M2300T   | 1J2  | 1   | 60-21  |
| JD8248   | 1H19 | 5   | 50-17  | JD9201   | 2F20 | 9   | 110-27 | M2300T   | 2I1  | 11  | 120-48 |
| JD8271   | 1I4  | 17  | 50-27  | JD9201   | 2G9  | 10  | 120-5  | M2655T   | 2D15 | 26  | 90-9   |
| JD8296   | 1H18 | 10  | 50-16  | JD9201   | 2G13 | 10  | 120-9  | M2848DN  | 2I19 | 20  | 120-68 |
| JD8296   | 1H19 | 10  | 50-17  | JD9202   | 2F19 | 6   | 110-26 | M3636T   | 1G7  | 4   | 40-41  |
| JD8412   | 1J1  | 3   | 60-20  | JD9202   | 2F20 | 10  | 110-27 | M3742T   | 2F13 | 7   | 110-20 |
| JD8524   | 1H23 | 8   | 50-21  | JD9213   | 1H15 | 1   | 50-13  | M3853T   | 1B24 | 1   | 20-31  |
| JD8544   | 2F18 | 2   | 110-25 | JD9220   | 2F22 | 3   | 110-29 | M40333   | 2E4  | 5   | 90-23  |
| JD8544   | 2F18 | 18  | 110-25 | JD9221   | 2F22 | 6   | 110-29 | M40699   | 1C13 | 9   | 20-45  |
| JD8544   | 2G24 | 19  | 120-21 | JD9241   | 2G18 | 33  | 120-14 | M40699   | 2C24 | 4   | 80-11  |

# 1L16

COMBINE - 4420

## NUMERICAL INDEX - CONTINUED

| PART NO. | GRID | KEY | PAGE   | PART NO. | GRID | KEY | PAGE   | PART NO. | GRID | KEY | PAGE   |
|----------|------|-----|--------|----------|------|-----|--------|----------|------|-----|--------|
| M40699   | 2H5  | 11  | 120-26 | N10213   | 1C14 | 11  | 20-46  | N140001  | 2K8  | 7   | 160-4  |
| M40699   | 2H14 | 8   | 120-35 | N10213   | 1C15 | 7   | 20-47  | N14820   | 1C23 | 17  | 30-2   |
| M40699   | 2I9  | 1   | 120-57 | N10213   | 1C15 | 16  | 20-47  | N14822   | 1C16 | 12  | 20-48  |
| M40699   | 2I13 | 16  | 120-61 | N10213   | 1C16 | 2   | 20-48  | N14822   | 2C18 | 16  | 80-5   |
| M40699   | 2I21 | 14  | 120-70 | N10213   | 1C17 | 16  | 20-49  | N14822   | 2C18 | 20  | 80-5   |
| M40699   | 2J10 | 15  | 130-8  | N10213   | 1C18 | 16  | 20-50  | N150468  | 2A23 | 19  | 70-4   |
| M41029   | 1B20 | 4   | 20-27  | N10213   | 1C22 | 7   | 30-1   | N150468  | 2B1  | 19  | 70-6   |
| M41029   | 1B21 | 4   | 20-28  | N10213   | 1C22 | 21  | 30-1   | N150469  | 2A23 | 17  | 70-4   |
| M41139   | 2I18 | 15  | 120-67 | N10213   | 1E14 | 1   | 30-43  | N150469  | 2B7  | 18  | 70-12  |
| M42561   | 1F17 | 3   | 40-26  | N10213   | 1E14 | 5   | 30-43  | N150470  | 2A23 | 13  | 70-4   |
| M42565   | 2F16 | 5   | 110-23 | N10213   | 1E23 | 18  | 40-5   | N150470  | 2B1  | 13  | 70-6   |
| M43835   | 1G18 | 2   | 40-53  | N10213   | 2C18 | 12  | 80-5   | N150470  | 2B7  | 22  | 70-12  |
| M44169   | 2A23 | 20  | 70-4   | N10213   | 2C18 | 17  | 80-5   | N150470  | 2B8  | 19  | 70-13  |
| M44169   | 2B7  | 16  | 70-12  | N10213   | 2C21 | 11  | 80-8   | N150471  | 2A23 | 16  | 70-4   |
| M46767   | 2A23 | 15  | 70-4   | N10213   | 2C21 | 16  | 80-8   | N153975  | 2A23 | 18  | 70-4   |
| M46767   | 2B1  | 15  | 70-6   | N10213   | 2E13 | 2   | 90-33  | N153975  | 2B1  | 18  | 70-6   |
| M46767   | 2B7  | 20  | 70-12  | N10213   | 2E15 | 2   | 90-35  | N153975  | 2B7  | 17  | 70-12  |
| M46768   | 2A23 | 14  | 70-4   | N10213   | 2E24 | 13  | 110-5  | N155290  | 2B11 | 7   | 70-17  |
| M46768   | 2B7  | 21  | 70-12  | N10213   | 2H9  | 19  | 120-30 | N31761   | 2B13 | 6   | 70-19  |
| M48237   | 2D18 | 4   | 90-12  | N10213   | 2H10 | 19  | 120-31 | N31762   | 2B13 | 5   | 70-19  |
| M60871   | 1F3  | 10  | 40-10  | N10213   | 2H12 | 16  | 120-33 | N31766   | 2A24 | 47  | 70-5   |
| M66044   | 1C23 | 2   | 30-2   | N10213   | 2H14 | 11  | 120-35 | N31766   | 2B2  | 46  | 70-7   |
| M66044   | 1D5  | 9   | 30-9   | N10213   | 2H16 | 4   | 120-37 | N31766   | 2B7  | 5   | 70-12  |
| M66044   | 1E20 | 14  | 40-2   | N10213   | 2H16 | 9   | 120-37 | N31766   | 2B8  | 5   | 70-13  |
| M66044   | 1E21 | 3   | 40-3   | N10213   | 2H16 | 15  | 120-37 | N31767   | 2B13 | 7   | 70-19  |
| M66044   | 1E24 | 7   | 40-7   | N10213   | 2H19 | 12  | 120-40 | N31768   | 2B13 | 4   | 70-19  |
| M66044   | 1F6  | 23  | 40-13  | N10213   | 2H24 | 4   | 120-45 | N31771   | 2B14 | 7   | 70-20  |
| M66044   | 1F12 | 4   | 40-20  | N10213   | 2J3  | 17  | 130-1  | N34986   | 2B18 | 11  | 70-25  |
| M66044   | 1F13 | 2   | 40-21  | N10213   | 2J4  | 2   | 130-2  | N71292   | 1C14 | 4   | 20-46  |
| M66044   | 1F23 | 4   | 40-32  | N10213   | 2J19 | 34  | 130-17 | N71292   | 1C14 | 14  | 20-46  |
| M66044   | 2K9  | 14  | 160-5  | N10214   | 2C21 | 24  | 80-8   | N71292   | 1C15 | 11  | 20-47  |
| M66044   | 2K14 | 1   | 160-10 | N10214   | 2J19 | 26  | 130-17 | N71292   | 2C21 | 18  | 80-8   |
| M66125   | 2J21 | 3   | 130-19 | N10215   | 1C13 | 19  | 20-45  | N71292   | 2E13 | 3   | 90-33  |
| M66314   | 2E24 | 3   | 110-5  | N10215   | 2D2  | 2   | 80-14  | N71292   | 2H9  | 4   | 120-30 |
| M81668   | 2A23 | 12  | 70-4   | N10215   | 2D11 | 23  | 90-5   | N71292   | 2H10 | 4   | 120-31 |
| M81668   | 2B1  | 12  | 70-6   | N10215   | 2E23 | 1   | 110-4  | N71292   | 2J3  | 4   | 130-1  |
| M81668   | 2B7  | 2   | 70-12  | N10215   | 2E23 | 8   | 110-4  | N71292   | 2J3  | 17  | 130-1  |
| M81668   | 2B8  | 2   | 70-13  | N10215   | 2E23 | 13  | 110-4  | N71292   | 2J4  | 2   | 130-2  |
| M82702   | 2A23 | 24  | 70-4   | N10215   | 2E23 | 16  | 110-4  | N71292   | 2J4  | 2   | 130-2  |
| M82702   | 2B7  | 15  | 70-12  | N10215   | 2E24 | 25  | 110-5  | PK1607H  | 2I24 | 7   | 120-73 |
| M830T    | 1I11 | 8   | 60-4   | N10215   | 2H9  | 16  | 120-30 | PK1613H  | 2I24 | 1   | 120-73 |
| M87401   | 2B1  | 16  | 70-6   | N10215   | 2H10 | 16  | 120-31 | PK1613H  | 3B9  | 8   | 170-19 |
| M87401   | 2B8  | 17  | 70-13  | N10215   | 2H14 | 2   | 120-35 | PK1826H  | 1H11 | 15  | 50-9   |
| M87403   | 2B1  | 20  | 70-6   | N10215   | 2H14 | 5   | 120-35 | PT94     | 2E15 | ..  | 90-35  |
| M87403   | 2B8  | 15  | 70-13  | N10215   | 2J19 | 26  | 130-17 | P16643   | 2I2  | 31  | 120-49 |
| M87511   | 2B1  | 14  | 70-6   | N10215   | 2K5  | 5   | 160-1  | P20352   | 3B5  | 8   | 170-15 |
| M87511   | 2B8  | 18  | 70-13  | N10217   | 1C11 | 23  | 20-43  | P33554   | 2G18 | 9   | 120-14 |
| N100101  | 2H6  | 5   | 120-27 | N10217   | 1C23 | 17  | 30-2   | P33554   | 2G22 | 9   | 120-19 |
| N10212   | 1C14 | 8   | 20-46  | N10217   | 1C23 | 17  | 30-2   | P3629H   | 2G9  | 23  | 120-5  |
| N10212   | 1C22 | 7   | 30-1   | N10217   | 2H5  | 14  | 120-26 | P3629H   | 2G13 | 20  | 120-9  |
| N10212   | 1C22 | 21  | 30-1   | N10219   | 1C15 | 16  | 20-47  | P39705   | 2I6  | 9   | 120-54 |
| N10212   | 1D3  | 4   | 30-7   | N104051  | 2G15 | 30  | 120-11 | P41706   | 2J3  | 19  | 130-1  |
| N10212   | 1E15 | 11  | 30-44  | N104243  | 2E21 | 4   | 110-1  | P42232   | 2F22 | 5   | 110-29 |
| N10212   | 2C11 | 7   | 70-45  | N111497  | 2A21 | 17  | 70-2   | P42232   | 2I19 | 17  | 120-68 |
| N10212   | 2C18 | 12  | 80-5   | N111500  | 2A21 | 14  | 70-2   | P42273   | 2J25 | 29  | 140-3  |
| N10212   | 2C18 | 17  | 80-5   | N111502  | 2A24 | 51  | 70-5   | P42289   | 2I24 | 3   | 120-73 |
| N10212   | 2C18 | 17  | 80-5   | N111502  | 2B2  | 50  | 70-7   | P42337   | 2B9  | 15  | 70-15  |
| N10212   | 2C18 | 24  | 80-5   | N111507  | 2A21 | 29  | 70-2   | P42406   | 2I13 | 14  | 120-61 |
| N10212   | 2D18 | 2   | 90-12  | N111507  | 2A21 | 30  | 70-2   | P42406   | 2I21 | 8   | 120-70 |
| N10212   | 2H5  | 17  | 120-26 | N115096  | 1G18 | 11  | 40-53  | P42669   | 1H12 | 2   | 50-10  |
| N10212   | 2H9  | 1   | 120-30 | N119177  | 1F3  | 15  | 40-10  | P42669   | 1I4  | 14  | 50-27  |
| N10212   | 2H9  | 19  | 120-30 | N126257  | 2A21 | 9   | 70-2   | P42921   | 2F13 | 7   | 110-20 |
| N10212   | 2H10 | 1   | 120-31 | N126258  | 2A21 | 18  | 70-2   | P43026   | 2F25 | 5   | 110-32 |
| N10212   | 2H10 | 19  | 120-31 | N13224   | 2K1  | 30  | 140-4  | P43026   | 2J12 | 31  | 130-10 |
| N10212   | 2H16 | 9   | 120-37 | N132503  | 2B17 | 1   | 70-23  | P43026   | 2J24 | 12  | 140-2  |
| N10212   | 2J4  | 15  | 130-2  | N137598  | 2I9  | 4   | 120-57 | P43033   | 1I19 | 7   | 60-13  |
| N10213   | 1C12 | 11  | 20-44  | N140001  | 2A23 | 8   | 70-4   | P43110   | 2G16 | 15  | 120-12 |
| N10213   | 1C14 | 4   | 20-46  | N140001  | 2B1  | 8   | 70-6   | P43110   | 3B14 | 18  | 170-25 |

**NUMERICAL INDEX - CONTINUED**

| PART NO. | GRID | KEY | PAGE   | PART NO. | GRID | KEY | PAGE  | PART NO. | GRID | KEY | PAGE   |
|----------|------|-----|--------|----------|------|-----|-------|----------|------|-----|--------|
| P43363   | 2K1  | 5   | 140-4  | P49129   | 1H15 | 6   | 50-13 | RE13887  | 1D21 | ..  | 30-25  |
| P43548   | 1I2  | 3   | 50-25  | P49130   | 1H15 | 6   | 50-13 | RE13887  | 1D22 | 14  | 30-27  |
| P44H     | 2G13 | 24  | 120-9  | P49131   | 1H15 | 6   | 50-13 | RE13887  | 1D22 | ..  | 30-27  |
| P44H     | 2G14 | 20  | 120-10 | P49134   | 1I18 | 16  | 60-12 | RE13887  | 1E11 | 19  | 30-40  |
| P44439   | 2H22 | 4   | 120-43 | P49970   | 1I4  | 4   | 50-27 | RE13887  | 1E11 | ..  | 30-40  |
| P44439   | 2I9  | 14  | 120-57 | P50273   | 1H4  | 9   | 50-2  | RE14224  | 1E4  | 12  | 30-33  |
| P44439   | 2I9  | 15  | 120-57 | P50362   | 2K1  | 4   | 140-4 | RE14225  | 1D24 | 29  | 30-29  |
| P44439   | 2I18 | 19  | 120-67 | P50419   | 2E22 | 1   | 110-3 | RE14226  | 1E4  | 9   | 30-33  |
| P454M    | 2C6  | 2   | 70-40  | P50456   | 1C8  | 12  | 20-40 | RE14227  | 1E4  | 10  | 30-33  |
| P45427   | 2G11 | 16  | 120-7  | P50456   | 1C8  | 14  | 20-40 | RE15674  | 1B21 | 6   | 20-28  |
| P45476   | 1E21 | 1   | 40-3   | P50647   | 2C3  | 10  | 70-37 | RE16495  | 1B20 | 1   | 20-27  |
| P45476   | 1E22 | 1   | 40-4   | P50647   | 2C9  | 12  | 70-43 | RE16495  | 1B20 | 3   | 20-27  |
| P45750   | 2B21 | 1   | 70-29  | P50777   | 1H21 | 7   | 50-19 | RE16495  | 1B21 | 3   | 20-28  |
| P46051   | 2A23 | 1   | 70-4   | P51212   | 2B25 | 4   | 70-34 | RE16904  | 1E6  | 14  | 30-35  |
| P46051   | 2B1  | 1   | 70-6   | P51212   | 2C1  | 2   | 70-35 | RE16924  | 1C4  | ..  | 20-36  |
| P46051   | 2K8  | 1   | 160-4  | P51212   | 2C2  | 4   | 70-36 | RE17831  | 1B2  | 10  | 20-9   |
| P46115   | 2B5  | 5   | 70-10  | P51212   | 2E15 | 3   | 90-35 | RE17831  | 1B14 | 1   | 20-21  |
| P46356   | 1H14 | 1   | 50-12  | P51319   | 2B14 | 6   | 70-20 | RE18694  | 1B21 | 7   | 20-28  |
| P46369   | 1H17 | 11  | 50-15  | P51444   | 2B18 | 12  | 70-25 | RE18694  | 1B21 | 10  | 20-28  |
| P46407   | 1H15 | 14  | 50-13  | P53005   | 1D3  | 6   | 30-7  | RE18697  | 1B21 | 7   | 20-28  |
| P46437   | 2J25 | 3   | 140-3  | P53006   | 1D3  | 13  | 30-7  | RE18697  | 1B21 | 10  | 20-28  |
| P46553   | 3B2  | 11  | 170-11 | P53007   | 1D3  | 5   | 30-7  | RE18931  | 1B8  | 12  | 20-15  |
| P46614   | 2G1  | 20  | 110-33 | P53022   | 1D3  | 7   | 30-7  | RE18933  | 1D24 | 22  | 30-29  |
| P46614   | 2G19 | 5   | 120-15 | P5403H   | 2G13 | 21  | 120-9 | RE19031  | 1B18 | 16  | 20-25  |
| P46614   | 2G20 | 5   | 120-16 | P54602   | 1D3  | 8   | 30-7  | RE19031  | 1B18 | 17  | 20-25  |
| P46874   | 2I19 | 12  | 120-68 | RE10869  | 1B22 | 13  | 20-29 | RE19187  | 1G7  | 1   | 40-41  |
| P47159   | 2C15 | 2   | 80-2   | RE10869  | 1B22 | 14  | 20-29 | RE19187  | 1G8  | ..  | 40-42  |
| P47159   | 2C16 | 15  | 80-3   | RE10869  | 1B23 | 14  | 20-30 | RE19187  | 1G9  | 28  | 40-43  |
| P47159   | 2I18 | 7   | 120-67 | RE10974  | 2E9  | 11  | 90-28 | RE19187  | 1G10 | 14  | 40-44  |
| P47159   | 2J3  | 9   | 130-1  | RE10975  | 2E9  | 13  | 90-28 | RE19187  | 1G10 | ..  | 40-44  |
| P47210   | 1E21 | 12B | 40-3   | RE10976  | 2E9  | ..  | 90-28 | RE19187  | 1G11 | 12  | 40-45  |
| P47303   | 2F13 | 8   | 110-20 | RE10976  | 2E10 | 1   | 90-29 | RE19187  | 1G11 | 26  | 40-45  |
| P47415   | 2C15 | 6   | 80-2   | RE10980  | 2E9  | 4   | 90-28 | RE19188  | 1G11 | 10  | 40-45  |
| P47415   | 2C16 | 1   | 80-3   | RE10981  | 2E9  | 1   | 90-28 | RE19189  | 1G11 | 4   | 40-45  |
| P47478   | 2B14 | 3   | 70-20  | RE10982  | 2E9  | 2   | 90-28 | RE19191  | 1G9  | 27  | 40-43  |
| P47478   | 2C3  | 4   | 70-37  | RE11154  | 1E22 | 5   | 40-4  | RE19192  | 1G11 | 16  | 40-45  |
| P47704   | 1I11 | 7   | 60-4   | RE11154  | 1E22 | 8   | 40-4  | RE19193  | 1G8  | 13  | 40-42  |
| P47883   | 2B4  | 10  | 70-9   | RE11154  | 1G16 | 40  | 40-51 | RE19193  | 1G9  | 17  | 40-43  |
| P47883   | 2I25 | 2   | 120-74 | RE11154  | 1G20 | 57  | 40-55 | RE19371  | 1A24 | 3   | 20-6   |
| P47883   | 3B9  | 5   | 170-19 | RE11156  | 1G18 | 36  | 40-53 | RE19372  | 1A24 | ..  | 20-6   |
| P48066   | 2H17 | 3   | 120-38 | RE11157  | 1G18 | 37  | 40-53 | RE19872  | 1A22 | 3   | 20-4   |
| P48067   | 2H16 | 12  | 120-37 | RE11509  | 1B21 | 10  | 20-28 | RE19873  | 1A23 | ..  | 20-5   |
| P48338   | 2D22 | 17  | 90-16  | RE11510  | 1B21 | 10  | 20-28 | RE21076  | 1B20 | 1   | 20-27  |
| P48347   | 1I23 | 11  | 60-17  | RE11598  | 1E2  | 17  | 30-31 | RE21076  | 1B20 | 3   | 20-27  |
| P48652   | 1H12 | 15  | 50-10  | RE11601  | 1E8  | 14  | 30-37 | RV702A   | 2H18 | 11  | 120-39 |
| P48652   | 1H13 | 6   | 50-11  | RE11602  | 1D24 | 9   | 30-29 | RV810A   | 2I13 | 13  | 120-61 |
| P48652   | 1H14 | 7   | 50-12  | RE11602  | 1E2  | 3   | 30-31 | RV810A   | 2I21 | 9   | 120-70 |
| P48658   | 1H15 | 6   | 50-13  | RE12310  | 1A23 | 15  | 20-5  | R10093   | 1B1  | 5   | 20-8   |
| P48666   | 1H11 | 7   | 50-9   | RE12513  | 2E9  | 16  | 90-28 | R10093   | 1C24 | 27  | 30-3   |
| P48669   | 1I11 | 11  | 60-4   | RE12823  | 1B14 | 26  | 20-21 | R10093   | 2E15 | 4   | 90-35  |
| P48685   | 1I11 | 2   | 60-4   | RE12823  | 1B15 | 26  | 20-22 | R11026   | 2G15 | 12  | 120-11 |
| P48703   | 1H18 | 1   | 50-16  | RE12842  | 1A21 | ..  | 20-3  | R11039   | 1G12 | 16  | 40-46  |
| P48703   | 1H19 | 14  | 50-17  | RE13517  | 1E12 | 9   | 30-41 | R11039   | 1G13 | 19  | 40-47  |
| P49075   | 2J12 | 1   | 130-10 | RE13517  | 1E12 | 10  | 30-41 | R11066   | 1G12 | 24  | 40-46  |
| P49116   | 1H12 | 15  | 50-10  | RE13517  | 1E12 | 11  | 30-41 | R11066   | 1G13 | 9   | 40-47  |
| P49116   | 1H13 | 6   | 50-11  | RE13517  | 1E12 | 12  | 30-41 | R11066   | 1G14 | 2   | 40-49  |
| P49116   | 1H14 | 7   | 50-12  | RE13517  | 1E12 | 13  | 30-41 | R11087   | 1G10 | 16  | 40-44  |
| P49117   | 1H12 | 15  | 50-10  | RE13517  | 1E12 | 14  | 30-41 | R11095   | 1G8  | 5   | 40-42  |
| P49117   | 1H13 | 6   | 50-11  | RE13782  | 1E4  | 5   | 30-33 | R11096   | 1G8  | 1   | 40-42  |
| P49117   | 1H14 | 7   | 50-12  | RE13783  | 1E2  | 5   | 30-31 | R11116   | 1G8  | 7   | 40-42  |
| P49118   | 1H12 | 15  | 50-10  | RE13887  | 1D6  | 22  | 30-10 | R11116   | 1G9  | 11  | 40-43  |
| P49118   | 1H13 | 6   | 50-11  | RE13887  | 1D6  | 24  | 30-10 | R11117   | 1G8  | 8   | 40-42  |
| P49118   | 1H14 | 7   | 50-12  | RE13887  | 1D6  | ..  | 30-10 | R11117   | 1G9  | 12  | 40-43  |
| P49119   | 1H12 | 15  | 50-10  | RE13887  | 1D9  | 7   | 30-13 | R11236   | 1G10 | 17  | 40-44  |
| P49119   | 1H13 | 6   | 50-11  | RE13887  | 1D9  | 10  | 30-13 | R11236   | 1G11 | 17  | 40-45  |
| P49119   | 1H14 | 7   | 50-12  | RE13887  | 1D9  | ..  | 30-13 | R11238   | 1G10 | 4   | 40-44  |
| P49128   | 1H15 | 6   | 50-13  | RE13887  | 1D21 | 16  | 30-25 | R11239   | 1G10 | 6   | 40-44  |

## NUMERICAL INDEX - CONTINUED

| PART NO. | GRID | KEY | PAGE   | PART NO. | GRID | KEY | PAGE   | PART NO. | GRID | KEY | PAGE  |
|----------|------|-----|--------|----------|------|-----|--------|----------|------|-----|-------|
| R11240   | 1G8  | 22  | 40-42  | R26572   | 1I22 | 3   | 60-16  | R28782   | 2C3  | 11  | 70-37 |
| R11240   | 1G12 | ..  | 40-46  | R26650   | 1A22 | 8   | 20-4   | R28782   | 2C5  | 13  | 70-39 |
| R11243   | 1G10 | 1   | 40-44  | R26650   | 1A24 | 8   | 20-6   | R28795   | 1E14 | 2   | 30-43 |
| R11278   | 1F14 | 2   | 40-23  | R26726   | 1D6  | 31  | 30-10  | R29936   | 2B3  | 25  | 70-8  |
| R1134R   | 2K13 | 6   | 160-9  | R26726   | 1D9  | 25  | 30-13  | R30378   | 1F17 | 24  | 40-26 |
| R1134R   | 2K14 | 7   | 160-10 | R26726   | 1D16 | 17  | 30-20  | R30378   | 1G20 | 43  | 40-55 |
| R15027   | 1G2  | 37  | 40-35  | R26892   | 2B24 | 4   | 70-33  | R30714   | 1D13 | 12  | 30-17 |
| R15027   | 1G4  | 22  | 40-37  | R26906   | 2A20 | 8   | 70-1   | R30718   | 1D17 | 17  | 30-21 |
| R15029   | 1G2  | 33  | 40-35  | R26906   | 2B3  | 18  | 70-8   | R30719   | 1D17 | 18  | 30-21 |
| R15029   | 1G4  | 18  | 40-37  | R26906   | 2B14 | 24  | 70-20  | R30724   | 1D16 | 21  | 30-20 |
| R15033   | 1G2  | 34  | 40-35  | R26906   | 2B21 | 5   | 70-29  | R30725   | 1D16 | 3   | 30-20 |
| R15033   | 1G4  | 19  | 40-37  | R26919   | 1C1  | 9   | 20-33  | R30727   | 1D16 | 7   | 30-20 |
| R15036   | 1G2  | 17  | 40-35  | R26919   | 1C3  | 9   | 20-35  | R30732   | 1D15 | 13  | 30-19 |
| R15036   | 1G4  | 7   | 40-37  | R27095   | 1I21 | 6   | 60-15  | R30735   | 1D16 | 11  | 30-20 |
| R20498   | 1D20 | 6   | 30-24  | R27095   | 2C7  | 4   | 70-41  | R30737   | 1D16 | 13  | 30-20 |
| R20498   | 1E12 | 6   | 30-41  | R27166   | 1B24 | 9   | 20-31  | R30762   | 1D16 | 10  | 30-20 |
| R20759   | 2B11 | 8   | 70-17  | R27166   | 1C1  | 4   | 20-33  | R31125   | 1D16 | 10  | 30-20 |
| R21612   | 1I12 | 26  | 60-5   | R27166   | 2A23 | 9   | 70-4   | R31602   | 1I9  | 4   | 60-2  |
| R21752   | 1C24 | 24  | 30-3   | R27166   | 2B1  | 9   | 70-6   | R31890   | 2D19 | 20  | 90-13 |
| R24549   | 1E8  | 15  | 30-37  | R27166   | 2K8  | 8   | 160-4  | R31935   | 1H25 | 11  | 50-23 |
| R26102   | 1H15 | 11  | 50-13  | R27175   | 2A20 | 10  | 70-1   | R32006   | 1E21 | 15  | 40-3  |
| R26103   | 1H15 | 10  | 50-13  | R27212   | 2B14 | 10  | 70-20  | R32011   | 1G16 | 8   | 40-51 |
| R26125   | 1B18 | 11  | 20-25  | R27212   | 2C5  | 2   | 70-39  | R32016   | 1E21 | 15  | 40-3  |
| R26125   | 1B19 | 11  | 20-26  | R27212   | 2C7  | 2   | 70-41  | R32016   | 1E21 | 16  | 40-3  |
| R26151   | 1H3  | 14  | 50-1   | R27218   | 2A20 | 13  | 70-1   | R32016   | 1E21 | 17  | 40-3  |
| R26241   | 1A22 | 2   | 20-4   | R27218   | 2A24 | 46  | 70-5   | R32016   | 1E21 | 18  | 40-3  |
| R26241   | 1A24 | 2   | 20-6   | R27218   | 2B2  | 45  | 70-7   | R32016   | 1E21 | 20  | 40-3  |
| R26246   | 2G18 | 5   | 120-14 | R27218   | 2K6  | 7   | 160-2  | R32016   | 1F20 | 1   | 40-29 |
| R26253   | 1H12 | 10  | 50-10  | R27237   | 1I19 | 1   | 60-13  | R32016   | 1G16 | 10  | 40-51 |
| R26255   | 1H12 | 8   | 50-10  | R27237   | 2B3  | 8   | 70-8   | R32017   | 1G16 | 11  | 40-51 |
| R26266   | 1H12 | 9   | 50-10  | R27237   | 2B12 | 16  | 70-18  | R32018   | 1E20 | 19  | 40-2  |
| R26286   | 1I18 | 11  | 60-12  | R27237   | 2C12 | 6   | 70-46  | R32018   | 1E22 | 2   | 40-4  |
| R26287   | 1D1  | 4   | 30-5   | R27238   | 1I21 | 3   | 60-15  | R32018   | 1F2  | 11  | 40-9  |
| R26287   | 1I18 | 13  | 60-12  | R27285   | 1C1  | 17  | 20-33  | R32018   | 1F11 | 7   | 40-19 |
| R26375   | 1I19 | 2   | 60-13  | R27285   | 1C3  | 19  | 20-35  | R32018   | 1F11 | 10  | 40-19 |
| R26375   | 2B3  | 9   | 70-8   | R27285   | 1D20 | 1   | 30-24  | R32018   | 1F11 | 12  | 40-19 |
| R26375   | 2B12 | 6   | 70-18  | R27285   | 1E12 | 2   | 30-41  | R32018   | 1F11 | 15  | 40-19 |
| R26375   | 2B21 | 3   | 70-29  | R27285   | 1E13 | 2   | 30-42  | R32018   | 1F11 | 17  | 40-19 |
| R26375   | 2B24 | 8   | 70-33  | R27296   | 1C23 | 5   | 30-2   | R32018   | 1G16 | 12  | 40-51 |
| R26375   | 2C11 | 3   | 70-45  | R27346   | 1C23 | 8   | 30-2   | R32019   | 1F11 | 8   | 40-19 |
| R26375   | 2C12 | 3   | 70-46  | R27346   | 1C25 | 8   | 30-4   | R32019   | 1F11 | 20  | 40-19 |
| R26375   | 2K6  | 5   | 160-2  | R27346   | 1D1  | 6   | 30-5   | R32019   | 1G16 | 13  | 40-51 |
| R26375   | 2K7  | 3   | 160-3  | R27346   | 1D20 | 8   | 30-24  | R32021   | 1G16 | 14  | 40-51 |
| R26375   | 2K9  | 7   | 160-5  | R27460   | 1F20 | 14  | 40-29  | R32022   | 1F11 | 20  | 40-19 |
| R26375   | 2K9  | 13  | 160-5  | R27474   | 2A20 | 9   | 70-1   | R32022   | 1G16 | 15  | 40-51 |
| R26375   | 2K10 | 3   | 160-6  | R27583   | 1F23 | 7   | 40-32  | R32023   | 1G16 | 16  | 40-51 |
| R26375   | 2K10 | 5   | 160-6  | R27976   | 1A25 | 6   | 20-7   | R32024   | 1G21 | 3   | 40-56 |
| R26448   | 1I3  | 2   | 50-26  | R28024   | 1J2  | 7   | 60-21  | R32025   | 1G21 | 4   | 40-56 |
| R26448   | 1I20 | 1   | 60-14  | R28473   | 1C13 | 18  | 20-45  | R32026   | 1E21 | 18  | 40-3  |
| R26448   | 2A20 | 12  | 70-1   | R28583   | 1B25 | 7   | 20-32  | R32026   | 1E22 | 2   | 40-4  |
| R26448   | 2A24 | 45  | 70-5   | R28583   | 1D5  | 8   | 30-9   | R32026   | 1E22 | 8   | 40-4  |
| R26448   | 2B2  | 44  | 70-7   | R28776   | 2A23 | 35  | 70-4   | R32026   | 1F15 | 7   | 40-24 |
| R26448   | 2B3  | 13  | 70-8   | R28776   | 2B1  | 34  | 70-6   | R32026   | 1F20 | 1   | 40-29 |
| R26448   | 2B11 | 3   | 70-17  | R28776   | 2B7  | 3   | 70-12  | R32026   | 1G16 | 17  | 40-51 |
| R26448   | 2B14 | 11  | 70-20  | R28776   | 2B8  | 3   | 70-13  | R32026   | 1G20 | 48  | 40-55 |
| R26448   | 2B22 | 7   | 70-31  | R28776   | 2B25 | 8   | 70-34  | R32027   | 1G16 | 18  | 40-51 |
| R26448   | 2C3  | 1   | 70-37  | R28776   | 2B25 | 9   | 70-34  | R32028   | 1G16 | 19  | 40-51 |
| R26448   | 2C5  | 1   | 70-39  | R28776   | 2C1  | 5   | 70-35  | R32029   | 1G16 | 20  | 40-51 |
| R26448   | 2C7  | 1   | 70-41  | R28776   | 2C2  | 8   | 70-36  | R32042   | 1A22 | 14  | 20-4  |
| R26448   | 2C9  | 9   | 70-43  | R28776   | 2H3  | 10  | 120-24 | R32042   | 1A24 | 14  | 20-6  |
| R26448   | 2K6  | 8   | 160-2  | R28776   | 2K9  | 10  | 160-5  | R32176   | 1F12 | 13  | 40-20 |
| R26448   | 2K9  | 16  | 160-5  | R28782   | 1I3  | 12  | 50-26  | R32235   | 1E17 | 5   | 30-46 |
| R26493   | 1A22 | 7   | 20-4   | R28782   | 1I3  | 13  | 50-26  | R33259   | 1D18 | 7   | 30-22 |
| R26493   | 1A24 | 7   | 20-6   | R28782   | 2A21 | 31  | 70-2   | R33259   | 1D19 | 16  | 30-23 |
| R26501   | 1D4  | 12  | 30-8   | R28782   | 2A24 | 40  | 70-5   | R33259   | 2E15 | 12  | 90-35 |
| R26524   | 1D4  | 9   | 30-8   | R28782   | 2B2  | 40  | 70-7   | R34447   | 1C25 | 6   | 30-4  |
| R26572   | 1I21 | 1   | 60-15  | R28782   | 2B18 | 16  | 70-25  | R34622   | 1D18 | 6   | 30-22 |

**NUMERICAL INDEX - CONTINUED**

| PART NO. | GRID | KEY | PAGE   | PART NO. | GRID | KEY | PAGE  | PART NO. | GRID | KEY | PAGE  |
|----------|------|-----|--------|----------|------|-----|-------|----------|------|-----|-------|
| R34623   | 1D18 | 5   | 30-22  | R42689   | 1F20 | 1   | 40-29 | R48008   | 1C25 | 17  | 30-4  |
| R34624   | 1D18 | 14  | 30-22  | R42689   | 1F20 | 6   | 40-29 | R48071   | 1C25 | 7   | 30-4  |
| R34625   | 1D18 | 8   | 30-22  | R42689   | 1F20 | 7   | 40-29 | R48071   | 1D1  | 5   | 30-5  |
| R34629   | 1D18 | 18  | 30-22  | R42689   | 1F20 | 17  | 40-29 | R48293   | 1F20 | 1   | 40-29 |
| R34630   | 1D18 | 2   | 30-22  | R42729   | 1B18 | 7   | 20-25 | R48293   | 1F20 | 6   | 40-29 |
| R34631   | 1D18 | 20  | 30-22  | R42729   | 1B19 | 7   | 20-26 | R48293   | 1F20 | 7   | 40-29 |
| R34632   | 1D18 | 9   | 30-22  | R42729   | 2G9  | 21  | 120-5 | R48293   | 1F20 | 17  | 40-29 |
| R34632   | 1D19 | 2   | 30-23  | R42729   | 2G9  | 27  | 120-5 | R48399   | 1D20 | 2   | 30-24 |
| R34635   | 1D12 | 15  | 30-16  | R42799   | 1F22 | 2   | 40-31 | R48493   | 1D13 | 11  | 30-17 |
| R34635   | 1D19 | 3   | 30-23  | R42799   | 1F23 | 2   | 40-32 | R48494   | 1D16 | 1   | 30-20 |
| R34760   | 1D6  | 21  | 30-10  | R42822   | 2E7  | 5   | 90-26 | R48495   | 1D16 | 4   | 30-20 |
| R34760   | 1D9  | 6   | 30-13  | R43413   | 1C3  | 27  | 20-35 | R48496   | 1D18 | 15  | 30-22 |
| R34760   | 1D21 | 15  | 30-25  | R43413   | 1C5  | 13  | 20-37 | R48497   | 1D18 | 16  | 30-22 |
| R34760   | 1E11 | 24  | 30-40  | R43416   | 1C3  | 26  | 20-35 | R48498   | 1D18 | 17  | 30-22 |
| R34761   | 1D6  | 22  | 30-10  | R43416   | 1C5  | 12  | 20-37 | R48500   | 1D15 | 14  | 30-19 |
| R34761   | 1D9  | 7   | 30-13  | R44165   | 1F11 | 14  | 40-19 | R48599   | 1D6  | 1   | 30-10 |
| R34761   | 1D21 | 16  | 30-25  | R44165   | 1F11 | 18  | 40-19 | R48599   | 1D9  | 31  | 30-13 |
| R34764   | 1C1  | 3   | 20-33  | R44302   | 1F3  | 10  | 40-10 | R48600   | 1D6  | 2   | 30-10 |
| R34764   | 1C4  | 3   | 20-36  | R44302   | 2K13 | 5   | 160-9 | R48600   | 1D9  | 32  | 30-13 |
| R34764   | 1C5  | 16  | 20-37  | R44342   | 1F17 | 11  | 40-26 | R48601   | 1D12 | 20  | 30-16 |
| R34764   | 1D9  | 10  | 30-13  | R45000   | 1E16 | 8   | 30-45 | R48602   | 1D12 | 22  | 30-16 |
| R34764   | 1D22 | 14  | 30-27  | R45136   | 1F23 | 5   | 40-32 | R48603   | 1D12 | 21  | 30-16 |
| R34764   | 1E11 | 19  | 30-40  | R45440   | 1C14 | 22  | 20-46 | R48604   | 1D12 | 18  | 30-16 |
| R34767   | 1D21 | 12  | 30-25  | R45440   | 1C15 | 19  | 20-47 | R48685   | 1A22 | 2   | 20-4  |
| R34812   | 1D13 | 8   | 30-17  | R45847   | 2E17 | 17  | 90-37 | R48685   | 1A22 | 10  | 20-4  |
| R34812   | 1D15 | 2   | 30-19  | R45847   | 2E17 | 21  | 90-37 | R48685   | 1A24 | 10  | 20-6  |
| R34812   | 1D19 | 4   | 30-23  | R46625   | 1A22 | 3   | 20-4  | R48768   | 1C1  | 11  | 20-33 |
| R34985   | 1C6  | 16  | 20-38  | R46625   | 1A23 | 20  | 20-5  | R48768   | 1C1  | ..  | 20-33 |
| R35717   | 2B14 | 15  | 70-20  | R46625   | 1A24 | 20  | 20-6  | R48795   | 1D10 | 12  | 30-14 |
| R36535   | 1D13 | 9   | 30-17  | R46675   | 1D21 | 7   | 30-25 | R48795   | 1D11 | 9   | 30-15 |
| R36538   | 1D14 | 4   | 30-18  | R46675   | 1D22 | 6   | 30-27 | R48887   | 1G2  | 6   | 40-35 |
| R36540   | 1D14 | 2   | 30-18  | R46675   | 1E11 | 10  | 30-40 | R48887   | 1G4  | 9   | 40-37 |
| R36542   | 1D17 | 14  | 30-21  | R47049   | 1D10 | 2   | 30-14 | R48887   | 1G18 | 17  | 40-53 |
| R36646   | 1D12 | 24  | 30-16  | R47077   | 1D10 | 4   | 30-14 | R49209   | 1D18 | 11  | 30-22 |
| R36698   | 1E15 | 2   | 30-44  | R47077   | 1D11 | 4   | 30-15 | R49211   | 1D12 | 14  | 30-16 |
| R36699   | 1E15 | 3   | 30-44  | R47144   | 1C5  | 14  | 20-37 | R49212   | 1D12 | 13  | 30-16 |
| R36700   | 1E15 | 5   | 30-44  | R47160   | 1B25 | 6   | 20-32 | R49238   | 1D12 | 9   | 30-16 |
| R36701   | 1E15 | 4   | 30-44  | R47160   | 1D5  | 7   | 30-9  | R49266   | 1E12 | 8   | 30-41 |
| R37139   | 1D10 | 7   | 30-14  | R47224   | 2E8  | 3   | 90-27 | R49346   | 1D16 | 4   | 30-20 |
| R37139   | 1D13 | 10  | 30-17  | R47226   | 2E8  | 7   | 90-27 | R49394   | 1G12 | 23  | 40-46 |
| R375R    | 2A21 | 22  | 70-2   | R47227   | 2E8  | 10  | 90-27 | R49394   | 1G13 | 10  | 40-47 |
| R375R    | 2B13 | 9   | 70-19  | R47229   | 2E8  | 9   | 90-27 | R495R    | 1B10 | 3   | 20-17 |
| R38372   | 1G7  | 3   | 40-41  | R47230   | 2E8  | 13  | 90-27 | R495R    | 1B11 | 3   | 20-18 |
| R39112   | 2K6  | 6   | 160-2  | R47231   | 2E8  | 14  | 90-27 | R495R    | 1C1  | 6   | 20-33 |
| R39112   | 2K9  | 13  | 160-5  | R47232   | 2E8  | 15  | 90-27 | R495R    | 1C4  | 4   | 20-36 |
| R39112   | 2K10 | 2   | 160-6  | R47233   | 2E7  | 6   | 90-26 | R49516   | 1B2  | 9   | 20-9  |
| R39741   | 1A23 | 16  | 20-5   | R47233   | 2E7  | 7   | 90-26 | R49516   | 1C1  | 10  | 20-33 |
| R39741   | 1A24 | 16  | 20-6   | R47235   | 2E7  | 3   | 90-26 | R49824   | 1A25 | 4   | 20-7  |
| R39783   | 2C7  | 12  | 70-41  | R47460   | 1G2  | 11  | 40-35 | R49824   | 1B1  | 4   | 20-8  |
| R39803   | 1G2  | 16  | 40-35  | R47474   | 1F15 | 3   | 40-24 | R50201   | 1C23 | 12  | 30-2  |
| R39804   | 1G2  | 14  | 40-35  | R47693   | 1C9  | 5   | 20-41 | R50933   | 1E6  | 12  | 30-35 |
| R39877   | 1G8  | 31  | 40-42  | R47731   | 1D21 | 8   | 30-25 | R51031   | 2A21 | 32  | 70-2  |
| R39886   | 1D21 | 9   | 30-25  | R47732   | 1D21 | 5   | 30-25 | R51031   | 2A24 | 41  | 70-5  |
| R40337   | 1G8  | 14  | 40-42  | R47733   | 1D21 | 4   | 30-25 | R51031   | 2B2  | 39  | 70-7  |
| R40707   | 1D12 | 26  | 30-16  | R47733   | 1D22 | 4   | 30-27 | R51031   | 2B18 | 17  | 70-25 |
| R40979   | 1C6  | 10  | 20-38  | R47733   | 1E11 | 8   | 30-40 | R51516   | 1B4  | 22  | 20-11 |
| R41465   | 2K14 | 5   | 160-10 | R47734   | 1D21 | 6   | 30-25 | R51726   | 1B21 | 8   | 20-28 |
| R41880   | 1F22 | 7   | 40-31  | R47998   | 1I16 | 9   | 60-10 | R51731   | 1B20 | 5   | 20-27 |
| R41880   | 1F22 | 11  | 40-31  | R48000   | 1C1  | 5   | 20-33 | R51731   | 1B21 | 5   | 20-28 |
| R41880   | 1F23 | 17  | 40-32  | R48000   | 1C3  | 5   | 20-35 | R51799   | 1E4  | 16  | 30-33 |
| R41880   | 1F23 | 21  | 40-32  | R48000   | 1C4  | 2   | 20-36 | R51936   | 1D9  | 3   | 30-13 |
| R42364   | 1B14 | 23  | 20-21  | R48000   | 1C5  | 2   | 20-37 | R51936   | 1E11 | 6   | 30-40 |
| R42364   | 1B14 | 25  | 20-21  | R48000   | 1D6  | 23  | 30-10 | R51937   | 1D9  | 2   | 30-13 |
| R42364   | 1B15 | 23  | 20-22  | R48000   | 1D9  | 9   | 30-13 | R51937   | 1E11 | 7   | 30-40 |
| R42364   | 1B15 | 25  | 20-22  | R48000   | 1D21 | 12  | 30-25 | R52251   | 1B18 | 15  | 20-25 |
| R42483   | 1D15 | 16  | 30-19  | R48000   | 1D22 | 15  | 30-27 | R52251   | 1B19 | 15  | 20-26 |
| R42483   | 1D19 | 5   | 30-23  | R48000   | 1E11 | 20  | 30-40 | R52252   | 1B18 | 12  | 20-25 |

## NUMERICAL INDEX - CONTINUED

| PART NO. | GRID | KEY | PAGE  | PART NO. | GRID | KEY | PAGE  | PART NO. | GRID | KEY | PAGE  |
|----------|------|-----|-------|----------|------|-----|-------|----------|------|-----|-------|
| R52252   | 1B19 | 12  | 20-26 | R56135   | 1E4  | 1   | 30-33 | R59023   | 2D21 | 5   | 90-15 |
| R53219   | 1B7  | 2   | 20-14 | R56136   | 1E4  | 2   | 30-33 | R59025   | 2D21 | 1   | 90-15 |
| R53219   | 1B8  | 2   | 20-15 | R56246   | 2E8  | 1   | 90-27 | R59026   | 2D21 | 13  | 90-15 |
| R53219   | 1C7  | 3   | 20-39 | R56396   | 1D12 | 27  | 30-16 | R59028   | 2D21 | 16  | 90-15 |
| R53223   | 1B7  | 2   | 20-14 | R56396   | 1D19 | 6   | 30-23 | R59029   | 2D21 | 18  | 90-15 |
| R53260   | 1B7  | 2   | 20-14 | R56409   | 1E24 | 13  | 40-7  | R59070   | 2D21 | 15  | 90-15 |
| R53382   | 1B24 | 8   | 20-31 | R56410   | 1E24 | 4   | 40-7  | R59074   | 1H18 | 3   | 50-16 |
| R53410   | 1F24 | 3   | 40-33 | R56461   | 1C3  | 4   | 20-35 | R59074   | 1H19 | 3   | 50-17 |
| R53543   | 1C3  | 12  | 20-35 | R56463   | 1B10 | 3   | 20-17 | R59079   | 1D17 | 1   | 30-21 |
| R53663   | 2D13 | 15  | 90-7  | R56463   | 1B11 | 3   | 20-18 | R59297   | 1D6  | 27  | 30-10 |
| R53664   | 2D13 | 23  | 90-7  | R56463   | 1C1  | 6   | 20-33 | R59297   | 1D6  | 28  | 30-10 |
| R53665   | 2D21 | 8   | 90-15 | R56463   | 1C3  | 6   | 20-35 | R59297   | 1D9  | 16  | 30-13 |
| R53668   | 2D13 | 23  | 90-7  | R56463   | 1C4  | 4   | 20-36 | R59297   | 1D9  | 17  | 30-13 |
| R53668   | 2D19 | 3   | 90-13 | R56463   | 1C5  | 5   | 20-37 | R59297   | 1D24 | 33  | 30-29 |
| R53668   | 2D19 | 7   | 90-13 | R56483   | 1D16 | 19  | 30-20 | R59298   | 1D6  | 27  | 30-10 |
| R53668   | 2D20 | 5   | 90-14 | R56725   | 1B7  | 5   | 20-14 | R59298   | 1D7  | 37  | 30-11 |
| R53668   | 2D21 | 7   | 90-15 | R56725   | 1B8  | 5   | 20-15 | R59298   | 1D9  | 12  | 30-13 |
| R53669   | 1I16 | 5   | 60-10 | R56736   | 1A25 | 5   | 20-7  | R59298   | 1D9  | 17  | 30-13 |
| R53670   | 2D19 | 4   | 90-13 | R56788   | 1B14 | 16  | 20-21 | R59298   | 1D24 | 34  | 30-29 |
| R53670   | 2D19 | 8   | 90-13 | R56788   | 1B15 | 16  | 20-22 | R59409   | 1B24 | 13  | 20-31 |
| R53670   | 2D20 | 6   | 90-14 | R56788   | 3A21 | 10  | 170-3 | R59449   | 1B7  | 13  | 20-14 |
| R53670   | 2D21 | 6   | 90-15 | R56830   | 1D6  | 12  | 30-10 | R59449   | 1B8  | 13  | 20-15 |
| R53677   | 1C11 | 22  | 20-43 | R56830   | 1D9  | 1   | 30-13 | R59449   | 1C1  | 22  | 20-33 |
| R53677   | 2D3  | 5   | 80-15 | R56832   | 1C25 | 1   | 30-4  | R59449   | 1C3  | 22  | 20-35 |
| R53678   | 1H24 | 3   | 50-22 | R56933   | 1C3  | 32  | 20-35 | R59449   | 1C4  | 9   | 20-36 |
| R53678   | 1H25 | 4   | 50-23 | R56947   | 1B22 | 12  | 20-29 | R59449   | 1C5  | 15  | 20-37 |
| R54057   | 1C11 | 18  | 20-43 | R56947   | 1B23 | 12  | 20-30 | R59676   | 1G7  | 5   | 40-41 |
| R54123   | 1C9  | 4   | 20-41 | R57025   | 1G9  | 1   | 40-43 | R59677   | 1G7  | 3   | 40-41 |
| R54229   | 1C3  | 29  | 20-35 | R57027   | 1G11 | 24  | 40-45 | R59821   | 1E8  | 5   | 30-37 |
| R54510   | 1C9  | 2   | 20-41 | R57028   | 1G11 | 7   | 40-45 | R60170   | 2E15 | 15  | 90-35 |
| R54511   | 1C9  | 3   | 20-41 | R57029   | 1G9  | 16  | 40-43 | R60171   | 2E7  | 2   | 90-26 |
| R54565   | 1B18 | 1   | 20-25 | R57059   | 1B24 | 15  | 20-31 | R60172   | 2E15 | 16  | 90-35 |
| R54565   | 1B19 | 1   | 20-26 | R57258   | 1C25 | 12  | 30-4  | R60373   | 1E4  | 17  | 30-33 |
| R54614   | 1B24 | 7   | 20-31 | R57332   | 1B18 | 15  | 20-25 | R60458   | 2D19 | 13  | 90-13 |
| R54615   | 1B24 | 6   | 20-31 | R57332   | 1B19 | 15  | 20-26 | R60745   | 1D6  | 22  | 30-10 |
| R54638   | 1C3  | 31  | 20-35 | R57333   | 1B18 | 12  | 20-25 | R60745   | 1D9  | 7   | 30-13 |
| R54638   | 1C5  | 3   | 20-37 | R57333   | 1B19 | 12  | 20-26 | R60745   | 1D21 | 16  | 30-25 |
| R54641   | 1B7  | 6   | 20-14 | R57334   | 1B18 | 15  | 20-25 | R60745   | 1E11 | 23  | 30-40 |
| R54641   | 1B8  | 6   | 20-15 | R57335   | 1B18 | 12  | 20-25 | R60746   | 1C3  | 11  | 20-35 |
| R54641   | 1C3  | 14  | 20-35 | R57336   | 1B18 | 15  | 20-25 | R60746   | 1C5  | 4   | 20-37 |
| R54641   | 1C4  | 10  | 20-36 | R57336   | 1B19 | 15  | 20-26 | R60746   | 1D6  | 24  | 30-10 |
| R54641   | 1C5  | 11  | 20-37 | R57337   | 1B18 | 12  | 20-25 | R60746   | 1D9  | 10  | 30-13 |
| R54766   | 2E8  | 4   | 90-27 | R57337   | 1B19 | 12  | 20-26 | R60746   | 1D21 | 11  | 30-25 |
| R54778   | 1F20 | 15  | 40-29 | R57452   | 1G12 | 17  | 40-46 | R60746   | 1D22 | 14  | 30-27 |
| R54802   | 1A22 | 1   | 20-4  | R57452   | 1G13 | 11  | 40-47 | R60746   | 1E11 | 19  | 30-40 |
| R54802   | 1A24 | 1   | 20-6  | R57697   | 1B22 | 20  | 20-29 | R61145   | 1D6  | 27  | 30-10 |
| R54986   | 1B18 | 2   | 20-25 | R57697   | 1B23 | 20  | 20-30 | R61145   | 1D7  | 37  | 30-11 |
| R54986   | 1B19 | 2   | 20-26 | R57698   | 1B22 | 5   | 20-29 | R61145   | 1D9  | 13  | 30-13 |
| R55012   | 1A22 | 3   | 20-4  | R57698   | 1B23 | 5   | 20-30 | R61145   | 1D9  | 16  | 30-13 |
| R55037   | 1A22 | 3   | 20-4  | R57699   | 1B22 | 3   | 20-29 | R61145   | 1D24 | 32  | 30-29 |
| R55127   | 1B22 | 10  | 20-29 | R57699   | 1B23 | 3   | 20-30 | R61145   | 1D24 | 35  | 30-29 |
| R55127   | 1B23 | 10  | 20-30 | R57700   | 1B22 | 2   | 20-29 | R61178   | 1C7  | 6   | 20-39 |
| R55128   | 1B22 | 9   | 20-29 | R57700   | 1B23 | 2   | 20-30 | R61871   | 1B24 | 10  | 20-31 |
| R55128   | 1B23 | 9   | 20-30 | R58422   | 1D15 | 15  | 30-19 | R61932   | 1G11 | 3   | 40-45 |
| R55129   | 1B22 | 19  | 20-29 | R58814   | 2D19 | 5   | 90-13 | R61934   | 1G11 | 25  | 40-45 |
| R55129   | 1B23 | 19  | 20-30 | R58816   | 2D21 | 14  | 90-15 | R62052   | 1E8  | 17  | 30-37 |
| R55233   | 1A22 | 4B  | 20-4  | R59009   | 2D19 | 19  | 90-13 | R62054   | 1E8  | 13  | 30-37 |
| R55233   | 1A24 | 22  | 20-6  | R59010   | 2D19 | 17  | 90-13 | R62073   | 1B16 | 4   | 20-23 |
| R55434   | 1B22 | 11  | 20-29 | R59011   | 2D19 | 10  | 90-13 | R62077   | 1E6  | 18  | 30-35 |
| R55509   | 1C3  | 17  | 20-35 | R59012   | 2D19 | 16  | 90-13 | R62078   | 1E6  | 19  | 30-35 |
| R55509   | 1C5  | 10  | 20-37 | R59013   | 2D21 | 10  | 90-15 | R62371   | 1C6  | 19  | 20-38 |
| R55647   | 1B20 | 2   | 20-27 | R59015   | 2D19 | 6   | 90-13 | R62371   | 1C6  | 20  | 20-38 |
| R55647   | 1B21 | 2   | 20-28 | R59018   | 2D19 | 18  | 90-13 | R62371   | 1C6  | 21  | 20-38 |
| R55950   | 1B7  | 12  | 20-14 | R59019   | 2D19 | 1   | 90-13 | R62902   | 1C6  | 17  | 20-38 |
| R56026   | 1E24 | 3   | 40-7  | R59020   | 2D21 | 11  | 90-15 | R62981   | 1D22 | 8   | 30-27 |
| R56131   | 1D24 | 19  | 30-29 | R59021   | 2D21 | 4   | 90-15 | R62981   | 1E11 | 12  | 30-40 |
| R56132   | 1E4  | 6   | 30-33 | R59022   | 2D21 | 9   | 90-15 | R62982   | 1D22 | 10  | 30-27 |

## NUMERICAL INDEX - CONTINUED

| PART NO. | GRID | KEY | PAGE  | PART NO. | GRID | KEY | PAGE  | PART NO. | GRID | KEY | PAGE  |
|----------|------|-----|-------|----------|------|-----|-------|----------|------|-----|-------|
| R62982   | 1E11 | 14  | 30-40 | R67779   | 1D21 | 10  | 30-25 | R77126   | 1C3  | 2   | 20-35 |
| R62984   | 1D22 | 7   | 30-27 | R67779   | 1D22 | 13  | 30-27 | R77126   | 1D24 | 26  | 30-29 |
| R62984   | 1E11 | 11  | 30-40 | R67779   | 1E11 | 17  | 30-40 | R77178   | 2C12 | 11  | 70-46 |
| R63035   | 1E2  | 18  | 30-31 | R69260   | 1B4  | 7   | 20-11 | R77332   | 1B22 | 13  | 20-29 |
| R63102   | 1E4  | 15  | 30-33 | R69260   | 1C1  | 21  | 20-33 | R77332   | 1B23 | 13  | 20-30 |
| R63571   | 2E7  | 10  | 90-26 | R69260   | 1C3  | 21  | 20-35 | R77389   | 2E9  | 15  | 90-28 |
| R63671   | 1F21 | 27  | 40-30 | R69297   | 2E8  | 16  | 90-27 | R77390   | 2E9  | 14  | 90-28 |
| R63977   | 1G2  | 18  | 40-35 | R69442   | 1D22 | 9   | 30-27 | R77391   | 2E9  | 8   | 90-28 |
| R64700   | 1F14 | 5   | 40-23 | R69442   | 1E11 | 13  | 30-40 | R77392   | 2E9  | 9   | 90-28 |
| R64764   | 1D6  | 9   | 30-10 | R69443   | 1D22 | 5   | 30-27 | R77393   | 2E9  | 10  | 90-28 |
| R64810   | 1D7  | 37  | 30-11 | R69443   | 1E11 | 9   | 30-40 | R77394   | 2E9  | 12  | 90-28 |
| R64810   | 1D7  | 39  | 30-11 | R70182   | 1B14 | 10  | 20-21 | R77395   | 2E9  | 7   | 90-28 |
| R64810   | 1D9  | 12  | 30-13 | R70182   | 1B15 | 10  | 20-22 | R77398   | 2E9  | 3   | 90-28 |
| R64810   | 1D9  | 13  | 30-13 | R70210   | 1G18 | 41  | 40-53 | R77400   | 2E9  | 6   | 90-28 |
| R65215   | 1B12 | 3   | 20-19 | R70211   | 1G18 | 40  | 40-53 | R77401   | 2E9  | 5   | 90-28 |
| R65215   | 1B13 | 3   | 20-20 | R70211   | 1G18 | 41  | 40-53 | R77405   | 1F12 | 14A | 40-20 |
| R65593   | 1G16 | 2   | 40-51 | R70212   | 1G18 | 41  | 40-53 | R77405   | 1F12 | 14B | 40-20 |
| R65594   | 1G16 | 9   | 40-51 | R70213   | 1G18 | 40  | 40-53 | R77456   | 1G18 | 27  | 40-53 |
| R65595   | 1G16 | 21  | 40-51 | R70213   | 1G18 | 41  | 40-53 | R77457   | 1G18 | 29  | 40-53 |
| R65596   | 1G16 | 22  | 40-51 | R70214   | 1G18 | 41  | 40-53 | R77458   | 1G18 | 28  | 40-53 |
| R65597   | 1G16 | 23  | 40-51 | R70215   | 1G18 | 40  | 40-53 | R77459   | 1G18 | 28  | 40-53 |
| R65598   | 1G16 | 24  | 40-51 | R70215   | 1G18 | 41  | 40-53 | R77460   | 1G4  | 4   | 40-37 |
| R65599   | 1G16 | 25  | 40-51 | R70216   | 1G18 | 41  | 40-53 | R77460   | 1G18 | 28  | 40-53 |
| R65600   | 1G16 | 26  | 40-51 | R70217   | 1G18 | 40  | 40-53 | R77461   | 1G18 | 28  | 40-53 |
| R65601   | 1G16 | 27  | 40-51 | R70217   | 1G18 | 41  | 40-53 | R77462   | 1G18 | 25  | 40-53 |
| R65602   | 1G16 | 28  | 40-51 | R70218   | 1G18 | 41  | 40-53 | R77463   | 1G18 | 30  | 40-53 |
| R65602   | 1G20 | 49  | 40-55 | R70219   | 1G18 | 40  | 40-53 | R77464   | 1G18 | 26  | 40-53 |
| R65603   | 1G16 | 29  | 40-51 | R70219   | 1G18 | 41  | 40-53 | R77465   | 1G18 | 31  | 40-53 |
| R65604   | 1G16 | 30  | 40-51 | R70220   | 1G20 | 50  | 40-55 | R77466   | 1G18 | 33  | 40-53 |
| R65605   | 1G16 | 31  | 40-51 | R70221   | 1G18 | 39  | 40-53 | R77467   | 1G18 | 34  | 40-53 |
| R65606   | 1G16 | 32  | 40-51 | R70222   | 1G18 | 38  | 40-53 | R77468   | 1G18 | 32  | 40-53 |
| R65607   | 1G16 | 33  | 40-51 | R70483   | 1B2  | 9   | 20-9  | R77469   | 1G18 | 35  | 40-53 |
| R65607   | 1G20 | 46  | 40-55 | R70483   | 1B3  | 9   | 20-10 | R77470   | 1G20 | 45  | 40-55 |
| R65608   | 1G16 | 3   | 40-51 | R70483   | 1C1  | 10  | 20-33 | R77471   | 1G20 | 45  | 40-55 |
| R65609   | 1G16 | 6   | 40-51 | R70483   | 1C3  | 15  | 20-35 | R77472   | 1G20 | 45  | 40-55 |
| R65610   | 1G16 | 7   | 40-51 | R70513   | 1D17 | 6   | 30-21 | R77473   | 1G20 | 45  | 40-55 |
| R66090   | 1D9  | 5   | 30-13 | R70921   | 2C11 | 21  | 70-45 | R77474   | 1G20 | 44  | 40-55 |
| R66090   | 1E11 | 2   | 30-40 | R70956   | 1B23 | 11  | 20-30 | R77475   | 1E22 | 8   | 40-4  |
| R66319   | 1E20 | 19  | 40-2  | R70956   | 1C3  | 13  | 20-35 | R77475   | 1G18 | 13  | 40-53 |
| R66319   | 1E21 | 15  | 40-3  | R71742   | 1D9  | 1   | 30-13 | R77476   | 1G18 | 3   | 40-53 |
| R66319   | 1E21 | 16  | 40-3  | R71851   | 1D13 | 4   | 30-17 | R77477   | 1G18 | 4   | 40-53 |
| R66319   | 1E21 | 17  | 40-3  | R72968   | 1A22 | 3   | 20-4  | R77478   | 1G18 | 15  | 40-53 |
| R66319   | 1E21 | 18  | 40-3  | R73027   | 1E2  | 19  | 30-31 | R77479   | 1G18 | 5   | 40-53 |
| R66319   | 1E21 | 20  | 40-3  | R73139   | 1A22 | 3   | 20-4  | R77480   | 1G18 | 6   | 40-53 |
| R66319   | 1E22 | 2   | 40-4  | R73139   | 1A23 | 19  | 20-5  | R77481   | 1G18 | 7   | 40-53 |
| R66319   | 1F2  | 11  | 40-9  | R73139   | 1A24 | 19  | 20-6  | R77482   | 1G18 | 8   | 40-53 |
| R66319   | 1F11 | 2   | 40-19 | R73140   | 1A22 | 3   | 20-4  | R77483   | 1G18 | 16  | 40-53 |
| R66319   | 1F11 | 7   | 40-19 | R73140   | 1A25 | 1   | 20-7  | R77484   | 1G18 | 19  | 40-53 |
| R66319   | 1F11 | 8   | 40-19 | R73140   | 1B1  | 1   | 20-8  | R77485   | 1G18 | 21  | 40-53 |
| R66319   | 1F11 | 10  | 40-19 | R73140   | 1C1  | 1   | 20-33 | R77486   | 1G18 | 22  | 40-53 |
| R66319   | 1F11 | 12  | 40-19 | R73140   | 1C3  | 1   | 20-35 | R77487   | 1G18 | 23  | 40-53 |
| R66319   | 1F11 | 15  | 40-19 | R74194   | 1B20 | 1   | 20-27 | R77488   | 1G20 | 51  | 40-55 |
| R66319   | 1F11 | 17  | 40-19 | R74310   | 1D12 | 13  | 30-16 | R77489   | 1G20 | 51  | 40-55 |
| R66319   | 1F15 | 7   | 40-24 | R74312   | 1D15 | 10  | 30-19 | R77490   | 1G20 | 51  | 40-55 |
| R66319   | 1F20 | 1   | 40-29 | R74325   | 1D12 | 10  | 30-16 | R77491   | 1G20 | 54  | 40-55 |
| R66319   | 1G16 | 1   | 40-51 | R74354   | 1B24 | 9   | 20-31 | R77492   | 1G20 | 54  | 40-55 |
| R66320   | 1G16 | 5   | 40-51 | R74354   | 1C1  | 4   | 20-33 | R77493   | 1G20 | 51  | 40-55 |
| R66320   | 1G18 | 24  | 40-53 | R74354   | 1C3  | 10  | 20-35 | R77494   | 1G20 | 55  | 40-55 |
| R66321   | 1F11 | 20  | 40-19 | R74472   | 1D15 | 23  | 30-19 | R77495   | 1G20 | 52  | 40-55 |
| R66321   | 1G16 | 4   | 40-51 | R75470   | 1B1  | 5   | 20-8  | R77496   | 1G20 | 52  | 40-55 |
| R66321   | 1G18 | 24  | 40-53 | R75892   | 1A23 | 21  | 20-5  | R77497   | 1G20 | 53  | 40-55 |
| R66593   | 1D10 | 3   | 30-14 | R75892   | 1A24 | 21  | 20-6  | R77498   | 1G18 | 24  | 40-53 |
| R66821   | 1C25 | 12  | 30-4  | R75931   | 1E13 | 7   | 30-42 | R77499   | 1G18 | 24  | 40-53 |
| R66821   | 1D1  | 9   | 30-5  | R76578   | 1D12 | 3   | 30-16 | R77500   | 1E22 | 8   | 40-4  |
| R67149   | 1D24 | 30  | 30-29 | R76578   | 1D17 | 3   | 30-21 | R77500   | 1G18 | 24  | 40-53 |
| R67149   | 1E6  | 7   | 30-35 | R76578   | 1D19 | 14  | 30-23 | R77501   | 1G18 | 24  | 40-53 |
| R67150   | 1D24 | 11  | 30-29 | R76964   | 1D24 | 28  | 30-29 | R77502   | 1E22 | 5   | 40-4  |

## NUMERICAL INDEX - CONTINUED

| PART NO. | GRID | KEY | PAGE  | PART NO. | GRID | KEY | PAGE  | PART NO. | GRID | KEY | PAGE   |
|----------|------|-----|-------|----------|------|-----|-------|----------|------|-----|--------|
| R77502   | 1G20 | 56  | 40-55 | R83169   | 1B4  | 22  | 20-11 | T11932   | 1D15 | 1   | 30-19  |
| R77503   | 1G20 | 56  | 40-55 | S2827M   | 2D9  | 7   | 90-3  | T11935   | 1D10 | 13  | 30-14  |
| R77680   | 1E8  | 7   | 30-37 | TY15130  | 2E15 | ..  | 90-35 | T11935   | 1D11 | 10  | 30-15  |
| R77681   | 1E8  | 8   | 30-37 | TY15155  | 1F22 | 12  | 40-31 | T11936   | 1D10 | 6   | 30-14  |
| R77682   | 1E8  | 10  | 30-37 | TY15155  | 1F23 | 22  | 40-32 | T11937   | 1D10 | 11  | 30-14  |
| R77683   | 1E4  | 2   | 30-33 | TY6603   | 1G2  | ..  | 40-35 | T11937   | 1D11 | 11  | 30-15  |
| R77684   | 1E4  | 2   | 30-33 | TY6620   | 1G7  | 1   | 40-41 | T11937   | 1D19 | 17  | 30-23  |
| R78366   | 1B4  | 7   | 20-11 | TY6653   | 1G2  | ..  | 40-35 | T11938   | 1D10 | 5   | 30-14  |
| R78366   | 1C1  | 21  | 20-33 | TY6653   | 1G4  | ..  | 40-37 | T11943   | 1D15 | 11  | 30-19  |
| R78743   | 1D24 | 21  | 30-29 | TY6653   | 1G6  | 1   | 40-39 | T11943   | 1D19 | 18  | 30-23  |
| R79015   | 1D24 | 12  | 30-29 | T11290   | 1D14 | 5   | 30-18 | T11953   | 1D15 | 5   | 30-19  |
| R79015   | 1E8  | 1   | 30-37 | T11290   | 1D19 | 7   | 30-23 | T12274   | 2H9  | 6   | 120-30 |
| R79016   | 1E6  | 24  | 30-35 | T11672   | 1G8  | 16  | 40-42 | T12274   | 2H10 | 6   | 120-31 |
| R79089   | 1B12 | 6   | 20-19 | T11672   | 1G9  | 20  | 40-43 | T12956   | 2A21 | 4   | 70-2   |
| R79089   | 1B13 | 6   | 20-20 | T11675   | 1G8  | 21  | 40-42 | T12958   | 2A21 | 6   | 70-2   |
| R79541   | 1E6  | 23  | 30-35 | T11675   | 1G12 | 28  | 40-46 | T12958   | 2B18 | 7   | 70-25  |
| R79541   | 1E10 | 10  | 30-39 | T11680   | 1G10 | 13  | 40-44 | T12959   | 2A21 | 5   | 70-2   |
| R79604   | 1D9  | 4   | 30-13 | T11680   | 1G11 | 11  | 40-45 | T12966   | 2B18 | 19  | 70-25  |
| R79604   | 1D21 | 1   | 30-25 | T11684   | 1G8  | 3   | 40-42 | T12966   | 2B18 | 20  | 70-25  |
| R79604   | 1D21 | 3B  | 30-25 | T11739   | 1G10 | 3   | 40-44 | T13119   | 2A23 | 7   | 70-4   |
| R79604   | 1D22 | 2   | 30-27 | T11847   | 1A21 | ..  | 20-3  | T13119   | 2B1  | 7   | 70-6   |
| R79604   | 1D22 | 3   | 30-27 | T11875   | 1D13 | 17  | 30-17 | T13119   | 2K8  | 6   | 160-4  |
| R79604   | 1D22 | 20  | 30-27 | T11876   | 1D13 | 16  | 30-17 | T13201   | 1D6  | 5   | 30-10  |
| R79604   | 1E11 | 5   | 30-40 | T11877   | 1D13 | 1   | 30-17 | T13201   | 1D9  | 23  | 30-13  |
| R79605   | 1D9  | 4   | 30-13 | T11877   | 1D19 | 8   | 30-23 | T13254   | 1C23 | 9   | 30-2   |
| R79605   | 1D21 | 2   | 30-25 | T11878   | 1D13 | 14  | 30-17 | T13911   | 2A23 | 25  | 70-4   |
| R79605   | 1D21 | 3B  | 30-25 | T11878   | 1D19 | 9   | 30-23 | T13911   | 2B7  | 14  | 70-12  |
| R79605   | 1D22 | 1   | 30-27 | T11882   | 1D13 | 19  | 30-17 | T13913   | 1D6  | 8   | 30-10  |
| R79605   | 1D22 | 3   | 30-27 | T11883   | 1D13 | 20  | 30-17 | T13913   | 1D9  | 36  | 30-13  |
| R79605   | 1D22 | 19  | 30-27 | T11883   | 1D19 | 10  | 30-23 | T15564   | 1G8  | 28  | 40-42  |
| R79605   | 1E11 | 4   | 30-40 | T11884   | 1D13 | 18  | 30-17 | T15564   | 1G9  | 10  | 40-43  |
| R79606   | 1D9  | 4   | 30-13 | T11886   | 1D16 | 18  | 30-20 | T15564   | 1G12 | 3   | 40-46  |
| R79606   | 1D21 | 3B  | 30-25 | T11887   | 1D16 | 20  | 30-20 | T15564   | 1G13 | 22  | 40-47  |
| R79606   | 1D22 | 3   | 30-27 | T11889   | 1D16 | 15  | 30-20 | T15699   | 1D17 | 19  | 30-21  |
| R79606   | 1D22 | 18  | 30-27 | T11890   | 1D16 | 14  | 30-20 | T15705   | 1D12 | 11  | 30-16  |
| R79606   | 1E11 | 3   | 30-40 | T11891   | 1D16 | 2   | 30-20 | T15710   | 1D12 | 6   | 30-16  |
| R80027   | 1E6  | 25  | 30-35 | T11891   | 1D19 | 11  | 30-23 | T15710   | 1D19 | 19  | 30-23  |
| R80033   | 1B20 | 1   | 20-27 | T11894   | 1D18 | 21  | 30-22 | T15711   | 1D12 | 26  | 30-16  |
| R80033   | 1B21 | 1   | 20-28 | T11894   | 1D19 | 12  | 30-23 | T15712   | 1D12 | 25  | 30-16  |
| R80243   | 1B7  | 13  | 20-14 | T11899   | 1D12 | 17  | 30-16 | T15712   | 1D19 | 20  | 30-23  |
| R80243   | 1C1  | 22  | 20-33 | T11899   | 1D18 | 10  | 30-22 | T15715   | 1D13 | 2   | 30-17  |
| R80243   | 1C1  | ..  | 20-33 | T11899   | 1D19 | 13  | 30-23 | T15720   | 1D17 | 2   | 30-21  |
| R80243   | 1C4  | 9   | 20-36 | T11900   | 1D18 | 12  | 30-22 | T15720   | 1D19 | 21  | 30-23  |
| R80312   | 1E6  | 27  | 30-35 | T11906   | 1D13 | 8   | 30-17 | T15721   | 1D13 | 4   | 30-17  |
| R80313   | 1E6  | 28  | 30-35 | T11906   | 1D19 | 22  | 30-23 | T16601   | 1D15 | 23  | 30-19  |
| R80405   | 1A22 | 3   | 20-4  | T11909   | 1D15 | 22  | 30-19 | T16602   | 1D15 | 4   | 30-19  |
| R81067   | 1B8  | 12  | 20-15 | T11910   | 1D15 | 21  | 30-19 | T17058   | 1G8  | 17  | 40-42  |
| R81167   | 1G11 | 2   | 40-45 | T11911   | 1D17 | 21  | 30-21 | T17058   | 1G9  | 21  | 40-43  |
| R81168   | 1G11 | 5   | 40-45 | T11913   | 1D15 | 8   | 30-19 | T17058   | 1G12 | 27  | 40-46  |
| R81169   | 1G11 | 6   | 40-45 | T11914   | 1D15 | 9   | 30-19 | T17117   | 1D12 | 1   | 30-16  |
| R81170   | 1G11 | 23  | 40-45 | T11915   | 1D12 | 3   | 30-16 | T17120   | 1D12 | 10  | 30-16  |
| R81171   | 1G11 | 1   | 40-45 | T11915   | 1D17 | 3   | 30-21 | T17122   | 1D12 | 2   | 30-16  |
| R81172   | 1G11 | 15  | 40-45 | T11915   | 1D19 | 14  | 30-23 | T17123   | 1D12 | 4   | 30-16  |
| R81173   | 1G11 | 14  | 40-45 | T11917   | 1D17 | 10  | 30-21 | T17125   | 1D12 | 7   | 30-16  |
| R81174   | 1G9  | 19  | 40-43 | T11918   | 1D10 | 8   | 30-14 | T17126   | 1D12 | 5   | 30-16  |
| R81175   | 1G9  | 18  | 40-43 | T11918   | 1D13 | 21  | 30-17 | T17137   | 1D12 | 19  | 30-16  |
| R81176   | 1G9  | 25  | 40-43 | T11918   | 1D19 | 15  | 30-23 | T17947   | 1D13 | 7   | 30-17  |
| R81198   | 1G11 | 19  | 40-45 | T11920   | 1D17 | 12  | 30-21 | T17949   | 1D17 | 8   | 30-21  |
| R81275   | 1B25 | 5   | 20-32 | T11921   | 1D13 | 6   | 30-17 | T17950   | 1D17 | 7   | 30-21  |
| R81275   | 1C1  | 18  | 20-33 | T11923   | 1D15 | 12  | 30-19 | T17951   | 1D13 | 8   | 30-17  |
| R81275   | 1C4  | 8   | 20-36 | T11924   | 1D15 | 7   | 30-19 | T17951   | 1D19 | 22  | 30-23  |
| R81514   | 1A23 | ..  | 20-5  | T11925   | 1D15 | 3   | 30-19 | T17952   | 1D15 | 6   | 30-19  |
| R81514   | 1B17 | 2A  | 20-24 | T11926   | 1D16 | 5   | 30-20 | T17953   | 1D13 | 5   | 30-17  |
| R81514   | 1B17 | 7   | 20-24 | T11927   | 1D17 | 4   | 30-21 | T17987   | 1G8  | 12  | 40-42  |
| R82821   | 1B17 | 2A  | 20-24 | T11929   | 1D17 | 15  | 30-21 | T18105   | 1G12 | 19  | 40-46  |
| R82821   | 1B17 | 2B  | 20-24 | T11930   | 1D13 | 15  | 30-17 | T18105   | 1G13 | 8   | 40-47  |
| R82821   | 1B17 | 7   | 20-24 | T11931   | 1D15 | 20  | 30-19 | T18107   | 1G12 | 8   | 40-46  |



## NUMERICAL INDEX - CONTINUED

| PART NO. | GRID | KEY | PAGE  | PART NO. | GRID | KEY | PAGE  | PART NO. | GRID | KEY | PAGE   |
|----------|------|-----|-------|----------|------|-----|-------|----------|------|-----|--------|
| T18107   | 1G13 | 12  | 40-47 | T20055   | 1E10 | 12  | 30-39 | T20315   | 1B19 | 14  | 20-26  |
| T18113   | 1G8  | 19  | 40-42 | T20070   | 1B17 | 6   | 20-24 | T20316   | 1B18 | 3   | 20-25  |
| T18113   | 1G9  | 23  | 40-43 | T20072   | 1B17 | 4   | 20-24 | T20316   | 1B19 | 3   | 20-26  |
| T18354   | 1G12 | 18  | 40-46 | T20073   | 1B18 | 5   | 20-25 | T20328   | 1B10 | 4   | 20-17  |
| T18354   | 1G13 | 4   | 40-47 | T20073   | 1B19 | 5   | 20-26 | T20328   | 1B11 | 4   | 20-18  |
| T18891   | 1A22 | 6   | 20-4  | T20077   | 1B18 | 9   | 20-25 | T20328   | 1C1  | 8   | 20-33  |
| T18891   | 1A24 | 6   | 20-6  | T20077   | 1B19 | 9   | 20-26 | T20328   | 1C3  | 8   | 20-35  |
| T19044   | 1A25 | 2   | 20-7  | T20088   | 1B2  | 4   | 20-9  | T20336   | 1B4  | 26  | 20-11  |
| T19044   | 1B1  | 2   | 20-8  | T20088   | 1B3  | 4   | 20-10 | T20336   | 1C1  | 16  | 20-33  |
| T19566   | 1A21 | ..  | 20-3  | T20089   | 1B2  | 7   | 20-9  | T20336   | 1C3  | 18  | 20-35  |
| T19569   | 1G8  | 33  | 40-42 | T20089   | 1B3  | 7   | 20-10 | T20362   | 1B4  | 8   | 20-11  |
| T19572   | 1I4  | 5   | 50-27 | T20090   | 1B2  | 8A  | 20-9  | T20464   | 1B17 | 2A  | 20-24  |
| T19572   | 1J1  | 12  | 60-20 | T20090   | 1B3  | 8   | 20-10 | T20467   | 1B10 | 8   | 20-17  |
| T19589   | 1G8  | 32  | 40-42 | T20091   | 1B24 | 5   | 20-31 | T20467   | 1C1  | 13  | 20-33  |
| T19600   | 1G12 | 5   | 40-46 | T20094   | 1B14 | 4   | 20-21 | T20467   | 1C4  | 1   | 20-36  |
| T19601   | 1G12 | 11  | 40-46 | T20094   | 1B15 | 4   | 20-22 | T21147   | 1H22 | 21  | 50-20  |
| T19602   | 1G12 | 6   | 40-46 | T20094   | 1B16 | 5   | 20-23 | T21158   | 1H21 | 13  | 50-19  |
| T19603   | 1G12 | 10  | 40-46 | T20129   | 1B18 | 8   | 20-25 | T21158   | 2J1  | 9   | 120-75 |
| T19603   | 1G13 | 17  | 40-47 | T20129   | 1B19 | 8   | 20-26 | T21242   | 2G1  | 22  | 110-33 |
| T19604   | 1G12 | 21  | 40-46 | T20155   | 1B4  | 1   | 20-11 | T21242   | 2G19 | 3   | 120-15 |
| T19604   | 1G13 | 6   | 40-47 | T20155   | 1C1  | 2   | 20-33 | T21242   | 2G20 | 14  | 120-16 |
| T19605   | 1G12 | 20  | 40-46 | T20155   | 1C3  | 3   | 20-35 | T22069   | 1H20 | 4   | 50-18  |
| T19605   | 1G13 | 3   | 40-47 | T20159   | 1B25 | 5   | 20-32 | T22069   | 1H22 | 10  | 50-20  |
| T19606   | 1G12 | 22  | 40-46 | T20159   | 1C1  | 18  | 20-33 | T22107   | 1F7  | 3   | 40-14  |
| T19606   | 1G13 | 2   | 40-47 | T20159   | 1C3  | 24  | 20-35 | T22107   | 1F8  | 2   | 40-15  |
| T19606   | 1G13 | 5   | 40-47 | T20159   | 1C4  | 8   | 20-36 | T22242   | 1D24 | 27  | 30-29  |
| T19607   | 1G12 | 12  | 40-46 | T20159   | 1C5  | 9   | 20-37 | T22535   | 1B17 | 1   | 20-24  |
| T19607   | 1G13 | 16  | 40-47 | T20165   | 1D7  | 36  | 30-11 | T22536   | 1B2  | 11  | 20-9   |
| T19608   | 1G12 | 2   | 40-46 | T20165   | 1D9  | 30  | 30-13 | T22536   | 1B3  | 11  | 20-10  |
| T19610   | 1G12 | 1   | 40-46 | T20166   | 1A25 | 4   | 20-7  | T22536   | 1B18 | 21  | 20-25  |
| T19854   | 1D14 | 7   | 30-18 | T20166   | 1B1  | 4   | 20-8  | T22536   | 1B19 | 21  | 20-26  |
| T19854   | 1D19 | 23  | 30-23 | T20168   | 1B7  | 3   | 20-14 | T22537   | 1B2  | 13  | 20-9   |
| T19855   | 1D14 | 1   | 30-18 | T20168   | 1B8  | 3   | 20-15 | T22537   | 1B3  | 13  | 20-10  |
| T19858   | 1D17 | 5   | 30-21 | T20168   | 1B12 | 4   | 20-19 | T22537   | 1B18 | 19  | 20-25  |
| T19859   | 1D17 | 6   | 30-21 | T20168   | 1B13 | 4   | 20-20 | T22537   | 1B19 | 19  | 20-26  |
| T19860   | 1D17 | 9   | 30-21 | T20168   | 1B14 | 27  | 20-21 | T23002   | 1C1  | 7   | 20-33  |
| T19861   | 1D17 | 11  | 30-21 | T20168   | 1B15 | 27  | 20-22 | T23002   | 1C3  | 7   | 20-35  |
| T19862   | 1D17 | 13  | 30-21 | T20168   | 1C7  | 7   | 20-39 | T23002   | 1C4  | 5   | 20-36  |
| T19863   | 1D12 | 16  | 30-16 | T20176   | 1B18 | 10  | 20-25 | T23002   | 1C5  | 6   | 20-37  |
| T19865   | 1D14 | 6   | 30-18 | T20176   | 1B18 | 18  | 20-25 | T23002   | 1C7  | 8   | 20-39  |
| T19935   | 1B5  | 2   | 20-12 | T20176   | 1B19 | 10  | 20-26 | T23132   | 1C1  | 15  | 20-33  |
| T19935   | 1B6  | 2   | 20-13 | T20176   | 1B19 | 18  | 20-26 | T23214   | 1B12 | 2   | 20-19  |
| T19935   | 1F23 | 11  | 40-32 | T20182   | 1B8  | 2   | 20-15 | T23214   | 1B13 | 2   | 20-20  |
| T19977   | 1D10 | 1   | 30-14 | T20202   | 1G7  | 5   | 40-41 | T23215   | 1B12 | 1   | 20-19  |
| T19977   | 1D11 | 1   | 30-15 | T20205   | 1B5  | 1   | 20-12 | T23215   | 1B13 | 1   | 20-20  |
| T20006   | 1B25 | 1   | 20-32 | T20205   | 1B6  | 1   | 20-13 | T23260   | 1B4  | 25  | 20-11  |
| T20006   | 1C1  | 20  | 20-33 | T20205   | 1C1  | 12  | 20-33 | T23266   | 1B14 | 5   | 20-21  |
| T20006   | 1C3  | 23  | 20-35 | T20205   | 1C3  | 32  | 20-35 | T23266   | 1B15 | 5   | 20-22  |
| T20006   | 1C4  | 7   | 20-36 | T20217   | 1B14 | 17  | 20-21 | T23266   | 1B16 | 2   | 20-23  |
| T20006   | 1C5  | 8   | 20-37 | T20217   | 1B15 | 17  | 20-22 | T23267   | 1B14 | 5   | 20-21  |
| T20009   | 1B20 | 1   | 20-27 | T20217   | 1B15 | 17  | 20-22 | T23267   | 1B15 | 5   | 20-22  |
| T20011   | 1B20 | 11  | 20-27 | T20243   | 1C1  | 23  | 20-33 | T23267   | 1B15 | 5   | 20-22  |
| T20011   | 1B21 | 11  | 20-28 | T20243   | 1C3  | 28  | 20-35 | T23270   | 1B14 | 15  | 20-21  |
| T20029   | 1B14 | 10  | 20-21 | T20243   | 1C6  | 12  | 20-38 | T23270   | 1B15 | 15  | 20-22  |
| T20034   | 1B14 | 9   | 20-21 | T20272   | 1B4  | 5   | 20-11 | T23435   | 1A25 | 3   | 20-7   |
| T20034   | 1B15 | 9   | 20-22 | T20272   | 1B4  | 11  | 20-11 | T23435   | 1B1  | 3   | 20-8   |
| T20046   | 1B14 | 13  | 20-21 | T20273   | 1B4  | 5   | 20-11 | T23474   | 1B12 | 5   | 20-19  |
| T20046   | 1B15 | 13  | 20-22 | T20273   | 1B4  | 10  | 20-11 | T23474   | 1B13 | 5   | 20-20  |
| T20050   | 1B24 | 12  | 20-31 | T20273   | 1C1  | 14  | 20-33 | T23529   | 1H24 | 10  | 50-22  |
| T20052   | 1D7  | 35  | 30-11 | T20273   | 1C3  | 16  | 20-35 | T23552   | 1B12 | 2   | 20-19  |
| T20052   | 1D9  | 29  | 30-13 | T20294   | 1B10 | 5   | 20-17 | T23552   | 1B13 | 2   | 20-20  |
| T20055   | 1D6  | 30  | 30-10 | T20294   | 1B11 | 5   | 20-18 | T23554   | 1B12 | 2   | 20-19  |
| T20055   | 1D9  | 24  | 30-13 | T20298   | 1B24 | 3   | 20-31 | T23554   | 1B13 | 2   | 20-20  |
| T20055   | 1D16 | 16  | 30-20 | T20310   | 1B18 | 13  | 20-25 | T23554   | 1B16 | 6   | 20-23  |
| T20055   | 1D19 | 24  | 30-23 | T20310   | 1B19 | 13  | 20-26 | T23556   | 1B12 | 2   | 20-19  |
| T20055   | 1D24 | 10  | 30-29 | T20314   | 1B18 | 4   | 20-25 | T23556   | 1B13 | 2   | 20-20  |
| T20055   | 1E2  | 4   | 30-31 | T20314   | 1B19 | 4   | 20-26 | T23558   | 1B12 | 2   | 20-19  |
|          |      |     |       | T20315   | 1B18 | 14  | 20-25 | T23558   | 1B13 | 2   | 20-20  |

## NUMERICAL INDEX - CONTINUED

| PART NO. | GRID | KEY | PAGE  | PART NO. | GRID | KEY | PAGE   | PART NO. | GRID | KEY | PAGE  |
|----------|------|-----|-------|----------|------|-----|--------|----------|------|-----|-------|
| T23566   | 1B20 | 11  | 20-27 | T24627   | 1E10 | 14  | 30-39  | T26327   | 1B14 | 12  | 20-21 |
| T23566   | 1B21 | 11  | 20-28 | T24628   | 1E2  | 19  | 30-31  | T26327   | 1B15 | 12  | 20-22 |
| T23568   | 1B20 | 11  | 20-27 | T24629   | 1E2  | 19  | 30-31  | T26508   | 1B7  | 7   | 20-14 |
| T23568   | 1B21 | 11  | 20-28 | T24630   | 1E2  | 19  | 30-31  | T26508   | 1B8  | 7   | 20-15 |
| T23570   | 1B20 | 11  | 20-27 | T24631   | 1E2  | 19  | 30-31  | T26509   | 1B7  | 1   | 20-14 |
| T23570   | 1B21 | 11  | 20-28 | T24632   | 1E2  | 9   | 30-31  | T26509   | 1B8  | 1   | 20-15 |
| T23572   | 1B20 | 11  | 20-27 | T24633   | 1E2  | 10  | 30-31  | T26565   | 1B14 | 2   | 20-21 |
| T23572   | 1B21 | 11  | 20-28 | T24634   | 1E2  | 8   | 30-31  | T26565   | 1B15 | 2   | 20-22 |
| T23574   | 1B12 | 1   | 20-19 | T24634   | 1E10 | 16  | 30-39  | T26565   | 1B16 | 1   | 20-23 |
| T23574   | 1B13 | 1   | 20-20 | T24635   | 1E2  | 16  | 30-31  | T27261   | 1C6  | 8   | 20-38 |
| T23576   | 1B12 | 1   | 20-19 | T24636   | 1E2  | 13  | 30-31  | T27624   | 2B25 | 3   | 70-34 |
| T23576   | 1B13 | 1   | 20-20 | T24637   | 1E2  | 6   | 30-31  | T27624   | 2C1  | 1   | 70-35 |
| T23576   | 1B16 | 7   | 20-23 | T24637   | 1E10 | 13  | 30-39  | T27624   | 2C2  | 3   | 70-36 |
| T23578   | 1B12 | 1   | 20-19 | T24647   | 1E6  | 22  | 30-35  | T27657   | 1B4  | 15  | 20-11 |
| T23578   | 1B13 | 1   | 20-20 | T24647   | 1E10 | 9   | 30-39  | T27658   | 1B4  | 18  | 20-11 |
| T23580   | 1B12 | 1   | 20-19 | T24649   | 1E2  | 22  | 30-31  | T27761   | 1E4  | 19  | 30-33 |
| T23580   | 1B13 | 1   | 20-20 | T24650   | 1E2  | 14  | 30-31  | T27761   | 1E10 | 5   | 30-39 |
| T24415   | 1D12 | 8   | 30-16 | T24650   | 1E10 | 15  | 30-39  | T27860   | 1D20 | 6   | 30-24 |
| T24460   | 1C3  | 2   | 20-35 | T24651   | 1E2  | 15  | 30-31  | T28041   | 1B17 | 3   | 20-24 |
| T24472   | 1D21 | 13  | 30-25 | T24651   | 1E10 | 17  | 30-39  | T28583   | 1E21 | 20  | 40-3  |
| T24472   | 1D22 | 16  | 30-27 | T24652   | 1E2  | 12  | 30-31  | T28583   | 1F11 | 2   | 40-19 |
| T24472   | 1E11 | 21  | 30-40 | T24658   | 1E8  | 9   | 30-37  | T28583   | 1G16 | 34  | 40-51 |
| T24539   | 1G8  | 9   | 40-42 | T24871   | 2A24 | 51  | 70-5   | T28583   | 1G18 | 1   | 40-53 |
| T24539   | 1G9  | 13  | 40-43 | T24871   | 2B2  | 50  | 70-7   | T28585   | 1F11 | 7   | 40-19 |
| T24542   | 1D24 | 16  | 30-29 | T24932   | 1C1  | 19  | 20-33  | T28585   | 1G16 | 35  | 40-51 |
| T24543   | 1D24 | 15  | 30-29 | T24932   | 1C3  | 20  | 20-35  | T28585   | 1G18 | 12  | 40-53 |
| T24543   | 1E10 | 8   | 30-39 | T24932   | 1C4  | 6   | 20-36  | T28586   | 1G18 | 14  | 40-53 |
| T24544   | 1D24 | 18  | 30-29 | T24932   | 1C5  | 7   | 20-37  | T29099   | 1G2  | 25  | 40-35 |
| T24546   | 1E4  | 3   | 30-33 | T24932   | 1C7  | 10  | 20-39  | T29100   | 1G2  | 7   | 40-35 |
| T24548   | 1E8  | 18  | 30-37 | T24934   | 1C7  | 1   | 20-39  | T29102   | 1G2  | 28  | 40-35 |
| T24548   | 1E10 | 1   | 30-39 | T24945   | 1C25 | 3   | 30-4   | T29103   | 1G2  | 3   | 40-35 |
| T24549   | 1E10 | 2   | 30-39 | T24959   | 1E20 | 7   | 40-2   | T29464   | 1D24 | 14  | 30-29 |
| T24550   | 1E2  | 1   | 30-31 | T24965   | 1A25 | 1   | 20-7   | T29539   | 1D21 | 2   | 30-25 |
| T24553   | 1E2  | 2   | 30-31 | T24965   | 1C1  | 1   | 20-33  | T29539   | 1D22 | 1   | 30-27 |
| T24553   | 1E10 | 7   | 30-39 | T25115   | 1B2  | 6   | 20-9   | T29540   | 1D21 | 1   | 30-25 |
| T24558   | 1E4  | 13  | 30-33 | T25115   | 1B3  | 6   | 20-10  | T29540   | 1D22 | 2   | 30-27 |
| T24559   | 1E4  | 14  | 30-33 | T25142   | 1D18 | 13  | 30-22  | T29809   | 1B25 | 3   | 20-32 |
| T24562   | 1E4  | 8   | 30-33 | T25142   | 1D19 | 25  | 30-23  | T29811   | 1E17 | 3   | 30-46 |
| T24564   | 1E4  | 7   | 30-33 | T25343   | 1G2  | 36  | 40-35  | T29969   | 1D24 | 8   | 30-29 |
| T24576   | 1E6  | 15  | 30-35 | T25343   | 1G4  | 21  | 40-37  | T30607   | 1D18 | 18  | 30-22 |
| T24577   | 1E6  | 8   | 30-35 | T25350   | 1G2  | 24  | 40-35  | T30653   | 1E10 | 6   | 30-39 |
| T24581   | 1E6  | 9   | 30-35 | T25353   | 1G2  | 20  | 40-35  | T30738   | 1C25 | 10  | 30-4  |
| T24583   | 1E6  | 10  | 30-35 | T25353   | 1G4  | 10  | 40-37  | T30738   | 1D1  | 2   | 30-5  |
| T24586   | 1E6  | 13  | 30-35 | T25357   | 1G2  | 10  | 40-35  | T30738   | 1E12 | 1   | 30-41 |
| T24588   | 1E6  | 3   | 30-35 | T25479   | 1C7  | 4   | 20-39  | T30738   | 1E13 | 1   | 30-42 |
| T24589   | 1E6  | 1   | 30-35 | T25484   | 1C6  | 11  | 20-38  | T31124   | 1D16 | 22  | 30-20 |
| T24590   | 1E6  | 4   | 30-35 | T25485   | 1C6  | 6   | 20-38  | T31125   | 1D16 | 22  | 30-20 |
| T24595   | 1E6  | 17  | 30-35 | T25701   | 1B25 | 2   | 20-32  | T31126   | 1D16 | 22  | 30-20 |
| T24596   | 1E6  | 16  | 30-35 | T25701   | 1C6  | 13  | 20-38  | T31127   | 1D16 | 22  | 30-20 |
| T24597   | 1E6  | 20  | 30-35 | T25879   | 2J18 | 2   | 130-16 | T31128   | 1D16 | 22  | 30-20 |
| T24598   | 1E6  | 5   | 30-35 | T26223   | 1D16 | 12  | 30-20  | T31129   | 1D16 | 10  | 30-20 |
| T24599   | 1E6  | 6   | 30-35 | T26223   | 1D19 | 26  | 30-23  | T31174   | 1D21 | 17  | 30-25 |
| T24599   | 1E10 | 11  | 30-39 | T26238   | 1D18 | 1   | 30-22  | T31174   | 1D22 | 12  | 30-27 |
| T24600   | 1E10 | 10  | 30-39 | T26256   | 1D18 | 19  | 30-22  | T31174   | 1E11 | 16  | 30-40 |
| T24604   | 1E6  | 26  | 30-35 | T26256   | 1D19 | 27  | 30-23  | T31219   | 1B5  | 3   | 20-12 |
| T24610   | 1E8  | 16  | 30-37 | T26321   | 1B14 | 20  | 20-21  | T31219   | 1B6  | 3   | 20-13 |
| T24617   | 1E8  | 3   | 30-37 | T26321   | 1B15 | 20  | 20-22  | T31306   | 1B22 | 15  | 20-29 |
| T24618   | 1E8  | 4   | 30-37 | T26322   | 1B14 | 21  | 20-21  | T31306   | 1B23 | 15  | 20-30 |
| T24619   | 1D24 | 13  | 30-29 | T26322   | 1B15 | 21  | 20-22  | T32213   | 1B18 | 16  | 20-25 |
| T24619   | 1E8  | 2   | 30-37 | T26323   | 1B14 | 7   | 20-21  | T32213   | 1B19 | 16  | 20-26 |
| T24619   | 1E10 | 4   | 30-39 | T26323   | 1B15 | 7   | 20-22  | T32230   | 1B2  | 2   | 20-9  |
| T24622   | 1E8  | 6   | 30-37 | T26324   | 1B14 | 6   | 20-21  | T32230   | 1B3  | 2   | 20-10 |
| T24622   | 1E10 | 3   | 30-39 | T26324   | 1B15 | 6   | 20-22  | T32231   | 1C24 | 29  | 30-3  |
| T24623   | 1E2  | 7   | 30-31 | T26325   | 1B14 | 19  | 20-21  | T32231   | 1D5  | 4   | 30-9  |
| T24625   | 1E2  | 11  | 30-31 | T26325   | 1B15 | 19  | 20-22  | T32231   | 1E21 | 6   | 40-3  |
| T24626   | 1E2  | 20  | 30-31 | T26326   | 1B14 | 11  | 20-21  | T32231   | 1F5  | 10  | 40-12 |
| T24627   | 1E2  | 21  | 30-31 | T26326   | 1B15 | 11  | 20-22  | T32238   | 1D16 | 6   | 30-20 |

**NUMERICAL INDEX - CONTINUED**

| PART NO. | GRID | KEY | PAGE   | PART NO. | GRID | KEY | PAGE   | PART NO. | GRID | KEY | PAGE |
|----------|------|-----|--------|----------|------|-----|--------|----------|------|-----|------|
| T32239   | 1D16 | 6   | 30-20  | U46370   | 1G18 | 20  | 40-53  |          |      |     |      |
| T32240   | 1D16 | 6   | 30-20  | U46425   | 2B4  | 22  | 70-9   |          |      |     |      |
| T32241   | 1D16 | 6   | 30-20  | U46506   | 1F21 | 11  | 40-30  |          |      |     |      |
| T32343   | 1B20 | 8   | 20-27  | U46507   | 1F21 | 9   | 40-30  |          |      |     |      |
| T32853   | 1C6  | 3   | 20-38  | U46508   | 1F21 | 6   | 40-30  |          |      |     |      |
| T32853   | 1G7  | 6   | 40-41  | U46509   | 1F21 | 21  | 40-30  |          |      |     |      |
| T33279   | 1A23 | 18  | 20-5   | U46510   | 1F21 | 22  | 40-30  |          |      |     |      |
| T33279   | 1A24 | 18  | 20-6   | U46511   | 1F21 | 23  | 40-30  |          |      |     |      |
| T33279   | 1B4  | 4   | 20-11  | U46512   | 1F21 | 24  | 40-30  |          |      |     |      |
| T34067   | 1E22 | 8   | 40-4   | U46513   | 1F21 | 25  | 40-30  |          |      |     |      |
| T34067   | 1G18 | 18  | 40-53  | U46515   | 1F21 | 4   | 40-30  |          |      |     |      |
| T35294   | 1H22 | 4   | 50-20  | U46517   | 1F21 | 15  | 40-30  |          |      |     |      |
| T35296   | 1H22 | 4   | 50-20  | U46662   | 1E21 | 20  | 40-3   |          |      |     |      |
| T35298   | 1H22 | 4   | 50-20  | U46662   | 1F11 | 2   | 40-19  |          |      |     |      |
| T35300   | 1H22 | 4   | 50-20  | U46662   | 1F11 | 10  | 40-19  |          |      |     |      |
| T39220   | 1I3  | 13  | 50-26  | U46662   | 1F11 | 12  | 40-19  |          |      |     |      |
| T39871   | 1H22 | 4   | 50-20  | U46662   | 1F11 | 15  | 40-19  |          |      |     |      |
| T40728   | 1I25 | 10  | 60-19  | U46662   | 1F11 | 17  | 40-19  |          |      |     |      |
| T42786   | 2B25 | 7   | 70-34  | U46662   | 1G16 | 37  | 40-51  |          |      |     |      |
| T42786   | 2C1  | 4   | 70-35  | U46662   | 1G18 | 10  | 40-53  |          |      |     |      |
| T42786   | 2C2  | 7   | 70-36  | U46663   | 1G16 | 38  | 40-51  |          |      |     |      |
| T44545   | 1F11 | 9   | 40-19  | U46664   | 1G16 | 39  | 40-51  |          |      |     |      |
| T46726   | 1D5  | 11  | 30-9   | U46664   | 1G20 | 47  | 40-55  |          |      |     |      |
| T46862   | 1G2  | 10  | 40-35  | X7111C   | 1H21 | 4   | 50-19  |          |      |     |      |
| T49269   | 2F18 | 5   | 110-25 | Z29304   | 2K11 | 16  | 160-7  |          |      |     |      |
| T49269   | 2F18 | 16  | 110-25 | Z6451H   | 2H16 | 10  | 120-37 |          |      |     |      |
| T49269   | 2F22 | 13  | 110-29 | Z699H    | 2F18 | 20  | 110-25 |          |      |     |      |
| T50860   | 1G2  | 27  | 40-35  | Z699H    | 2H6  | 7   | 120-27 |          |      |     |      |
| T519T    | 2D19 | 2   | 90-13  | Z699H    | 2I1  | 21  | 120-48 |          |      |     |      |
| T52507   | 1H22 | 4   | 50-20  | Z699H    | 2I20 | 14  | 120-69 |          |      |     |      |
| T55501   | 1F17 | 16  | 40-26  | Z699H    | 2J21 | 1   | 130-19 |          |      |     |      |
| T55585   | 1F17 | 20  | 40-26  | Z8946H   | 2H16 | 11  | 120-37 |          |      |     |      |
| T61939   | 2F25 | 11  | 110-32 | Z9250H   | 2J25 | 27  | 140-3  |          |      |     |      |
| T736T    | 1G10 | 10  | 40-44  | Z9902H   | 1J1  | 15  | 60-20  |          |      |     |      |
| T736T    | 1G11 | 8   | 40-45  | 1C3621H  | 1H21 | 13  | 50-19  |          |      |     |      |
| T738T    | 1G10 | 5   | 40-44  | 1C3621H  | 2J1  | 9   | 120-75 |          |      |     |      |
| T739T    | 1G10 | 22  | 40-44  | 124424   | 2E24 | 28  | 110-5  |          |      |     |      |
| T740T    | 1G10 | 21  | 40-44  | 124725   | 2F16 | 2   | 110-23 |          |      |     |      |
| U10289   | 1I23 | 13  | 60-17  | 17047    | 2K12 | 5   | 160-8  |          |      |     |      |
| U12547   | 2A20 | 11  | 70-1   | 28316    | 2D17 | 3   | 90-11  |          |      |     |      |
| U12547   | 2B3  | 12  | 70-8   | 28316    | 2D18 | 6   | 90-12  |          |      |     |      |
| U12547   | 2B12 | 1   | 70-18  | 28316    | 2F12 | 10  | 110-19 |          |      |     |      |
| U12547   | 2B21 | 15  | 70-29  | 31415    | 2J23 | 4   | 140-1  |          |      |     |      |
| U12547   | 2C11 | 20  | 70-45  | 31415    | 2J25 | 9   | 140-3  |          |      |     |      |
| U13639   | 1A23 | 17  | 20-5   | 32238    | 2B9  | 12  | 70-15  |          |      |     |      |
| U13639   | 1A24 | 17  | 20-6   | 32238    | 2B10 | 4   | 70-16  |          |      |     |      |
| U13639   | 1C9  | 6   | 20-41  | 32240    | 2E7  | 9   | 90-26  |          |      |     |      |
| U14554   | 2H18 | 27  | 120-39 | 32244    | 2B13 | 3   | 70-19  |          |      |     |      |
| U16721   | 2I16 | 4   | 120-64 | 32246    | 2A24 | 50  | 70-5   |          |      |     |      |
| U17408   | 2H3  | 8   | 120-24 | 32246    | 2B2  | 49  | 70-7   |          |      |     |      |
| U40538   | 2I16 | 9   | 120-64 | 405R     | 1H11 | 4   | 50-9   |          |      |     |      |
| U40745   | 2A21 | 22  | 70-2   | 820149   | 1G8  | 4   | 40-42  |          |      |     |      |
| U40745   | 2A23 | 32  | 70-4   |          |      |     |        |          |      |     |      |
| U40745   | 2B1  | 28  | 70-6   |          |      |     |        |          |      |     |      |
| U40745   | 2B7  | 7   | 70-12  |          |      |     |        |          |      |     |      |
| U40745   | 2B8  | 7   | 70-13  |          |      |     |        |          |      |     |      |
| U40745   | 2K9  | 12  | 160-5  |          |      |     |        |          |      |     |      |
| U42845   | 1I1  | 4   | 50-24  |          |      |     |        |          |      |     |      |
| U42845   | 2B6  | 7   | 70-11  |          |      |     |        |          |      |     |      |
| U42845   | 2B16 | 5   | 70-22  |          |      |     |        |          |      |     |      |
| U42845   | 2B16 | 6   | 70-22  |          |      |     |        |          |      |     |      |
| U42845   | 2B16 | 7   | 70-22  |          |      |     |        |          |      |     |      |
| U42845   | 2J11 | 8   | 130-9  |          |      |     |        |          |      |     |      |
| U42845   | 2J11 | 9   | 130-9  |          |      |     |        |          |      |     |      |
| U45538   | 1C23 | 1   | 30-2   |          |      |     |        |          |      |     |      |
| U45916   | 1F4  | 11  | 40-11  |          |      |     |        |          |      |     |      |
| U46370   | 1G16 | 36  | 40-51  |          |      |     |        |          |      |     |      |